

**PARTS
CATALOGUE
CATALOGO
DE REPUESTOS**

75A'03(6924)

85A'03(6882)

85A TUNA'03(6882)

FOREWORD

This Parts Catalogue is related to the parts for the model(s) in the below frame. When you are ordering replacement parts, please refer to this Parts Catalogue and quote both part numbers and part names correctly.

75A'03(6924), 85A'03(6882), 85A-TUNA'03(6882)

1. Modifications or additions which have been made after issue of the Parts Catalogue will be announced in the Yamaha Parts News.
It is advisable that you make necessary corrections to the Parts Catalogue according to the Yamaha Parts News.

2. Abbreviations

The Following abbreviations are used in this Parts Catalogue.

“UR” Use specified parts number.

“UN” Use as many as needed.

“AP” Alternate Parts

“LM” Local Made
(Parts need to be ordered locally)

“O/S” Over Size

3. Parts, which are to be supplied in an assembly, are listed with a dot(.) in front of the part name as shown below.

EXAMPLE

CARBURETOR ASSY

.JET, PILOT

.NOZZLE, MAIN

4. Number of component for assembly

The numeral appearing to the right of each component part indicates the quantity of parts for each assembly unit.

EXAMPLE

PART NO.	DESCRIPTION	u	u	u	REMARKS
6E0-85500-70	C.D.I. MAGNETO ASSY	1			
6E0-85550-70	.ROTOR ASSY	1			
6E0-15723-00-94..	PULLY, STARTER	1			

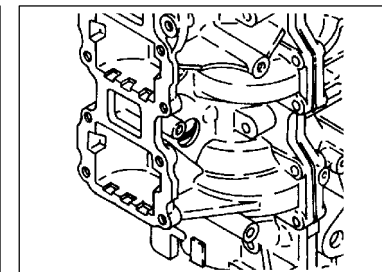
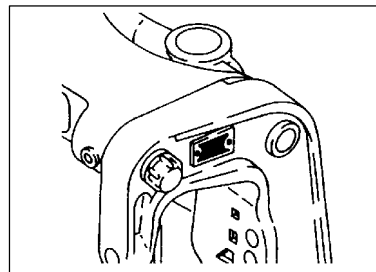
5. Quantity Column Information

NAME for Q'TY COLUMN	APPLICABLE MODEL
ET	75AET, 85AET
TUNA	85AED-TUNA
ED	75AED, 85AED
EHD	75AEHD, 85AEHD

6. Applicable Starting Serial No. and Color Code

1) Engine Starting Sserial No.

75AED L/X 692 : 1000001	85AED L/X 688 : 1000001
75AET L 692 : 1000001	85AET L/X 688 : 1000001
75AEHD L/X 692 : 1000001	85AEHD L/Y 688 : 1000001



2) Color Code

Color Code	Color Name	Abbreviation
004D	DARK BLUISH GRAY METALLIC 2	DBNM2

7. Note that the illustrations for reference in finding parts numbers, not to be used for assembling. When assembling, please use the applicable service manual.

8. The asterisk (*) before a reference number indicates modification items after the first edition.

CONTENTS

SHEET 1/2

TOP COWLING	A4
CYLINDER. CRANKCASE	A6
CRANKSHAFT. PISTON	B1
INTAKE	B3
CARBURETOR	B5
FUEL 1	B7
FUEL 2	C2
GENERATOR	C3
ELECTRICAL 1	C4
ELECTRICAL 2	C6
STARTING MOTOR	C7
BOTTOM COWLING	D1
STEERING	D3
CONTROL	D5
BRACKET 1	E1
BRACKET 2	E3
BRACKET 3	E5
BRACKET 4	E6
BRACKET 5	F1
POWER TRIM & TILT ASSY	F4
UPPER CASING	F7

INDEX

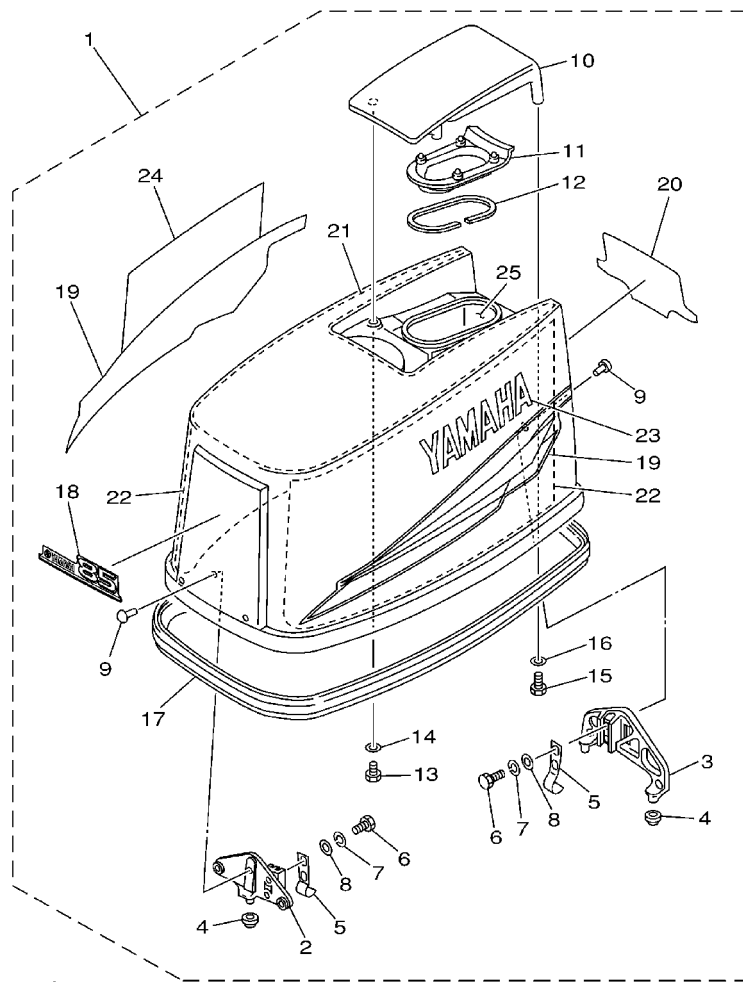
NUMERICAL INDEX	G1
-----------------------	----

SHEET 2/2

UPPER CASING	A4*
LOWER CASING. DRIVE 1	A5*
LOWER CASING. DRIVE 2	B2*
LOWER CASING. DRIVE 3	B6*
FUEL TANK	C1*
STEERING GUIDE	C2*
REMOTE CONTROL BOX	C3*
REMOTE CONTROL ASSY	C4*
METER	C7*
REPAIR KIT 1	D1*
REPAIR KIT 2	D3*

INDEX

NUMERICAL INDEX	G1*
-----------------------	-----



6881200-2010

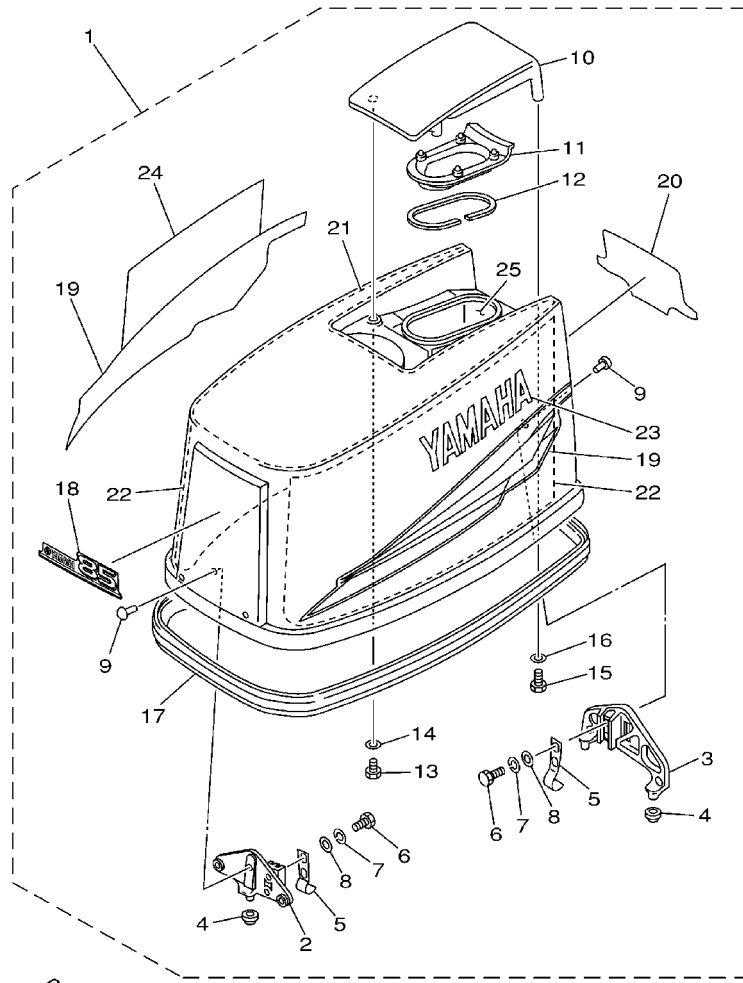
FIG. 1 TOP COWLING

SOPORTE SUPERIOR

REF. NO.	PART NO. CODIGO NO.	DESCRIPTION DESCRIPTION	ET	TUNA	ED	EHD	REMARKS OBSERVACION
1	688-42610-40-4D	TOP COWLING ASSY SOPORTE SUPERIOR COMPL.	1	1	1	1	85A
	692-42610-40-4D	TOP COWLING ASSY SOPORTE SUPERIOR COMPL.	1		1	1	75A
2	688-42647-00-94	.HOLDER, CLAMP BAND .MORDAZA DE ABRAZADERA	1	1	1	1	
3	688-42649-00-94	.HOLDER, CLAMP BAND .MORDAZA DE ABRAZADERA	1	1	1	1	
4	663-42662-00	.DAMPER .AMORTIGUADOR	3	3	3	3	
5	688-42652-10	.HOOK .GANCHO	2	2	2	2	
6	97095-06018	.BOLT .PERNO	2	2	2	2	
7	92995-06100	.WASHER, SPRING .ARANDELA	2	2	2	2	
8	92995-06600	.WASHER .ARANDELA	2	2	2	2	
9	90266-06009	.RIVET .REMACHE	6	6	6	6	
10	688-42613-01-4D	.MOLDING, AIR DUCT .MOLDURA CONDUCTO AIRE	1	1	1	1	
11	688-42618-00	AIR SHROUD, TOP COWLING .CUBIERTA AIRE PARTE SUPERIOR	1	1	1	1	
12	688-42628-00	.SEAL .SELLO DE GOMA	1	1	1	1	
13	97095-06016	.BOLT .PERNO	2	2	2	2	
14	92995-06600	.WASHER .ARANDELA	2	2	2	2	
15	97095-06025	.BOLT .PERNO	2	2	2	2	
16	92995-06600	.WASHER .ARANDELA	2	2	2	2	
17	688-42615-00	.SEAL .SELLO	1	1	1	1	
18	688-42677-40	.GRAPHIC, FRONT .CALCAMONIA FRONTAL	1	1	1	1	85A
	692-42677-40	.GRAPHIC, FRONT .CALCAMONIA FRONTAL	1		1	1	75A
19	688-W0070-31	.GRAPHIC SET .JUEGO DE EMBLEMA	1	1	1	1	
20	688-42678-31	.GRAPHIC, REAR .CALCAMONIA TRASERA	1	1	1	1	85A
	692-42678-31	.GRAPHIC, REAR .CALCAMONIA TRASERA	1		1	1	75A
21	688-42617-00	.DAMPER, FORM .HULE DE FORMA	1	1	1	1	
22	688-42619-00	.DAMPER, FORM .HULE DE FORMA	2	2	2	2	
23	688-42681-31	.MARK, COWLING .MARCA DE CUBIERTA	1	1	1	1	
24	688-42682-31	.MARK, COWLING .MARCA DE CUBIERTA	1	1	1	1	

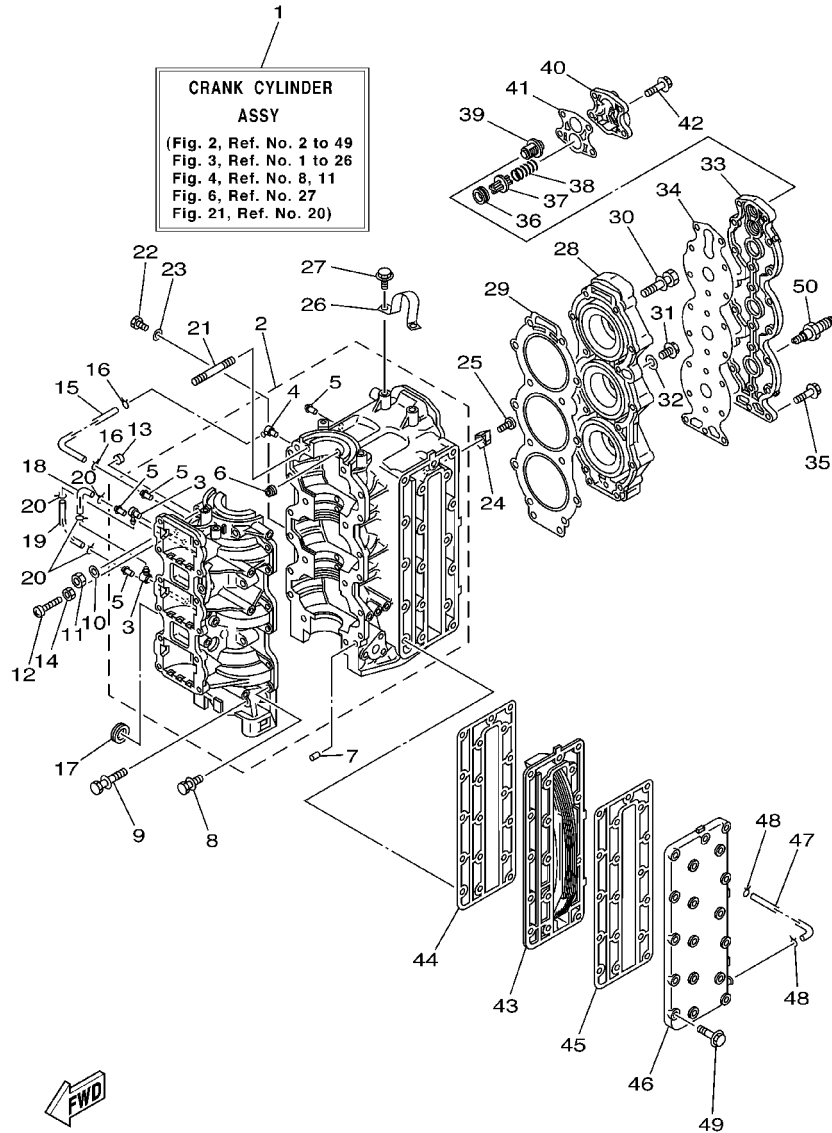
FIG. 1 TOP COWLING

SOPORTE SUPERIOR



6881200-2010

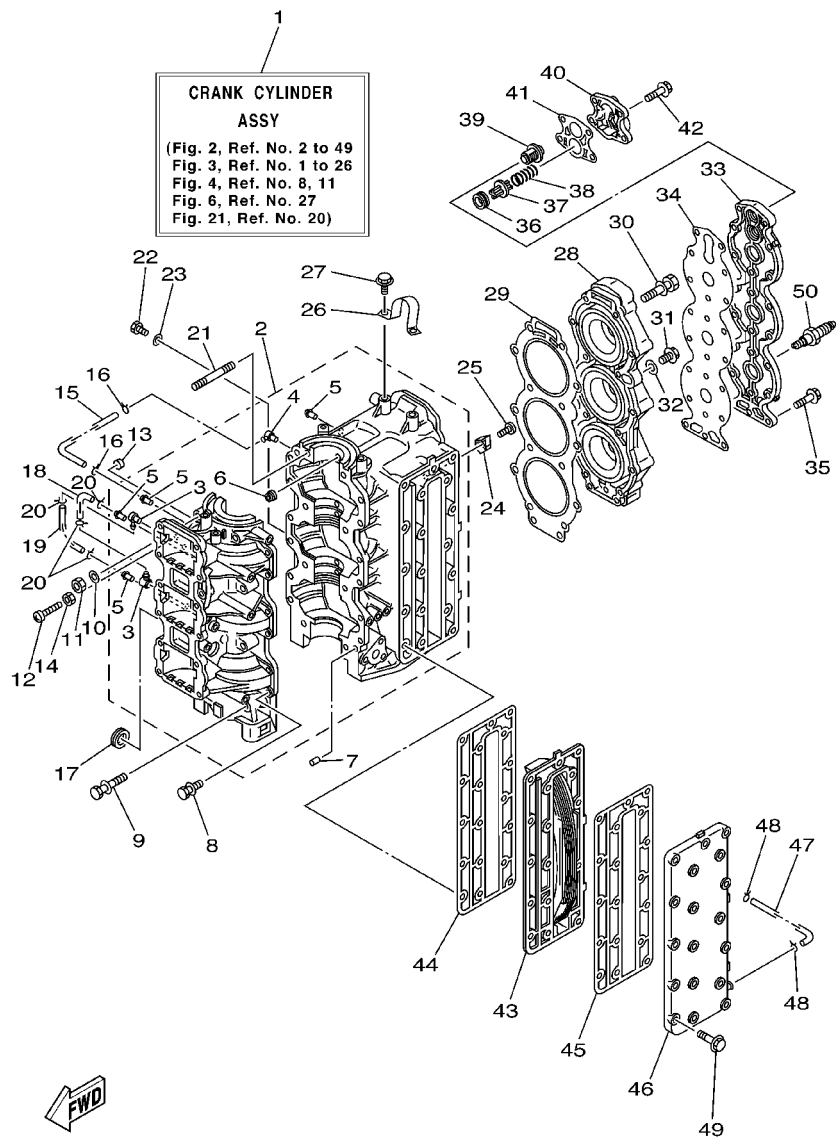
REF. NO.	PART NO. CODIGO NO.	DESCRIPTION DESCRIPTION	ET	TUNA	ED	EHD	REMARKS OBSERVACION
25	688-42637-00	.DAMPER, FORM .HULE DE FORMA	1	1	1	1	



6882200-3020

FIG. 2 CYLINDER. CRANKCASE CYLINDRO. CARTER

REF. NO.	PART NO. CODIGO NO.	DESCRIPTION DESCRIPTION	ET	TUNA	ED	EHD	REMARKS OBSERVACION
1	688-W0090-43-1S	CRANK CYLINDER ASSY BLOQUE MOTOR COMPLETO	1	1	1	1	85A
	692-W0090-44-1S	CRANK CYLINDER ASSY BLOQUE MOTOR COMPLETO	1		1	1	75A
2	688-15100-05-1S	CRANKCASE ASSY CARTER COMPLETO	1	1	1	1	
3	688-11370-01	.CHECK VALVE ASSY .VALVULA DE CONTROL COMPL.	2	2	2	2	
4	650-11370-01	.CHECK VALVE ASSY .VALVULA DE CONTROL COMPL.	1	1	1	1	
5	624-14485-00	.PIPE, JOINT .TUBO DE UNION	4	4	4	4	
6	663-11518-01	.LOCK, BEARING .SEGURO BALERO	3	3	3	3	
7	93608-12063	PIN, DOWEL PASADOR DE CLAVIJA	2	2	2	2	
8	90119-06M12	BOLT, WITH WASHER TORNILLO CON ARANDELA	12	12	12	12	
9	90119-10005	BOLT, WITH WASHER TORNILLO CON ARANDELA	6	6	6	6	
10	90201-10008	WASHER, PLATE ARANDELA PLANA	2	2	2	2	
11	95313-10600	NUT TUERCA	2	2	2	2	
12	90157-06014	SCREW, PAN HEAD TORNILLO CABEZA CONICA PLANA	1	1	1	1	
13	688-44194-00	CAP TAPA	1	1	1	1	
14	95303-06700	NUT TUERCA	1	1	1	1	
15	90445-07260	HOSE (L276) TUBO (L276)	1	1	1	1	
16	90467-06016	CLIP PRESILLA	2	2	2	2	
17	90480-24M04	GROMMET TAPON	1	1	1	1	
18	90445-07M00	HOSE (L100) TUBO (L100)	1	1	1	1	
19	90445-07M23	HOSE (L408) TUBO (L408)	1	1	1	1	
20	90467-06016	CLIP PRESILLA	4	4	4	4	
21	90116-10M06	BOLT, STUD ESPARRAGO	2	2	2	2	
22	97095-06012	BOLT PERNO	1	1	1	1	
23	92995-06100	WASHER, SPRING ARANDELA	1	1	1	1	
24	688-11325-00	ANODE ANODO	2	2	2	2	
25	98780-04015	SCREW, FLAT HEAD TORNILLO CABEZA PLANA	2	2	2	2	
26	688-11119-01	HANGER, ENGINE SOPORTE DEL MOTOR	1	1	1	1	



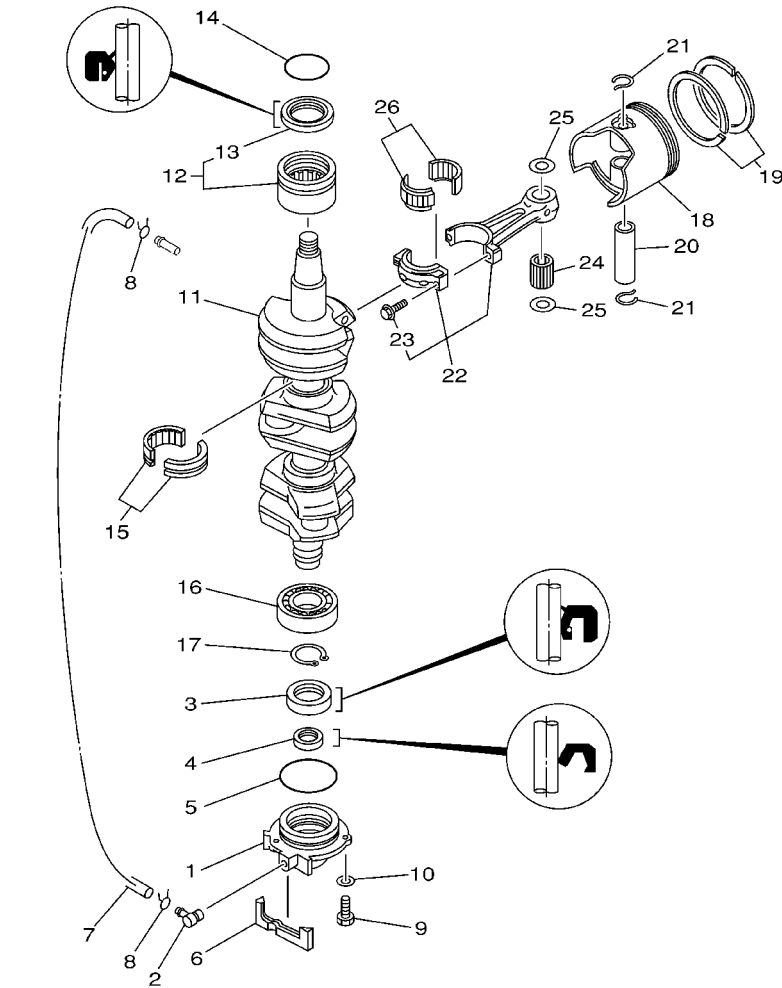
6882200-3020

FIG. 2 CYLINDER. CRANKCASE CYLINDRO. CARTER

REF. NO.	PART NO. CODIGO NO.	DESCRIPTION DESCRIPTION	ET	TUNA	ED	EHD	REMARKS OBSERVACION
27	90119-08MA3	BOLT, WITH WASHER TORNILLO CON ARANDELA	2	2	2	2	
28	688-11111-02-1S	HEAD, CYLINDER 1 CULATA CILINDRO 1	1	1	1	1	85A
	692-11111-01-1S	HEAD, CYLINDER 1 CULATA CILINDRO 1	1		1	1	75A
29	688-11181-A1	GASKET, CYLINDER HEAD 1 JUNTA, DE CULATA 1	1	1	1	1	
30	90119-08MA8	BOLT, WITH WASHER TORNILLO CON ARANDELA	14	14	14	14	
31	90340-14M00	PLUG, STRAIGHT SCREW TORNILLO, DE DRENAJE	1	1	1	1	
32	90430-14115	GASKET JUNTA	1	1	1	1	
33	688-11191-00-1S	COVER, CYLINDER HEAD 1 TAPA CULATA DE CILINDRO 1	1	1	1	1	
34	688-11193-A1	GASKET, HEAD COVER 1 EMPAQUE	1	1	1	1	
35	90119-06MA3	BOLT, WITH WASHER TORNILLO CON ARANDELA	18	18	18	18	
36	90480-20M05	GROMMET TAPON	1	1	1	1	
37	688-12416-00	VALVE, PRESSURE CONTROL VALVULA DE CONTROL DE PRESION	1	1	1	1	
38	90501-16M11	SPRING, COMPRESSION RESORTE DE COMPRESION	1	1	1	1	
39	688-12411-10	THERMOSTAT TERMOSTAT	1	1	1	1	
40	688-12413-00-1S	COVER, THERMOSTAT CUBIERTA TERMOSTATO	1	1	1	1	
41	688-12414-A1	GASKET, COVER EMPAQUE	1	1	1	1	
42	90119-06MA5	BOLT, WITH WASHER TORNILLO CON ARANDELA	4	4	4	4	
43	688-41111-00-1S	INNER COVER, EXHAUST CUBIERTA INTERIOR DE ESCAPE	1	1	1	1	
44	688-41112-A0	GASKET, EXHAUST INNER COVER EMPAQUE	1	1	1	1	
45	688-41114-A0	GASKET, EXHAUST OUTER COVER EMPAQUE	1	1	1	1	
46	688-41113-00-1S	OUTER COVER, EXHAUST CUBIERTA EXTERIOR DE ESCAPE	1	1	1	1	
47	663-24312-01	PIPE 2 TUBO 2	1	1	1	1	
48	90467-08004	CLIP PRESILLA	2	2	2	2	
49	90119-08020	BOLT, WITH WASHER TORNILLO CON ARANDELA	18	18	18	18	
50	94702-00160	PLUG, SPARK (NGK B8HS-10) BUJIA (NGK B8HS-10)	3	3	3	3	
	94702-00247	PLUG, SPARK (NGK BR8HS-10) BUJIA (NGK BR8HS-10)	3		3	3	FOR CHINA, 85A-FOR CARIB

FIG. 3 CRANKSHAFT. PISTON

CIGUENAL. PISTON

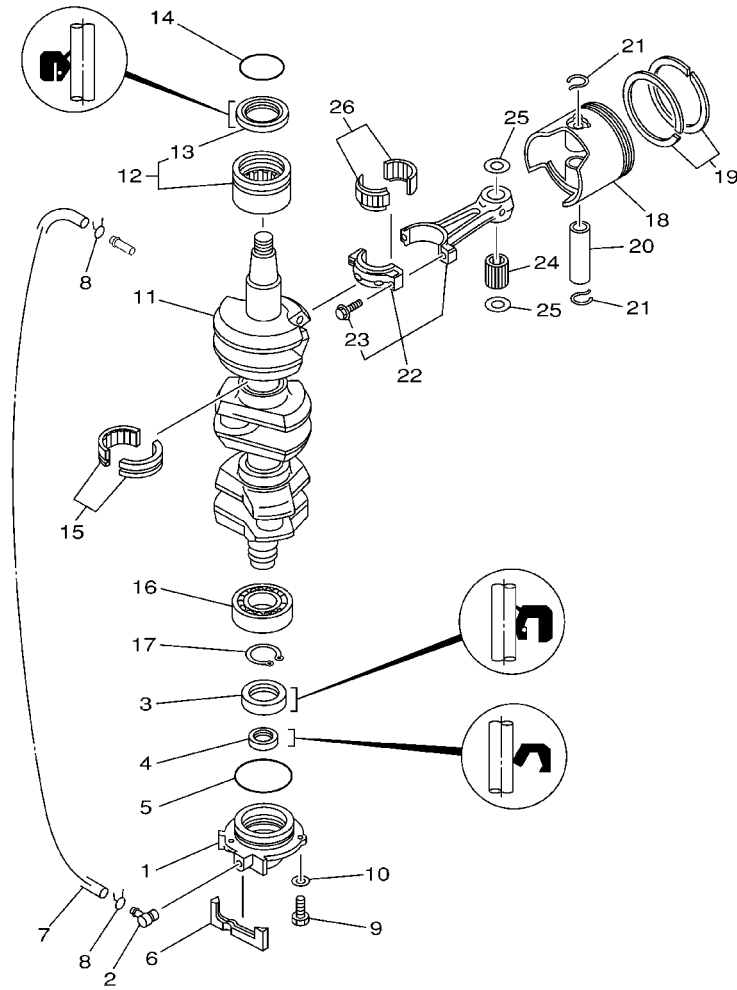


6H10010-0030

REF. NO.	PART NO. CODIGO NO.	DESCRIPTION DESCRIPTION	ET	TUNA	ED	EHD	REMARKS OBSERVACION
1	6H1-15359-01-94	HOUSING, OIL SEAL CAJA DE SELLO DE ACEITE	1	1	1	1	
2	688-11370-01	CHECK VALVE ASSY VALVULA DE CONTROL COMPL.	1	1	1	1	
3	93102-30M05	OIL SEAL RETEN DE ACEITE	1	1	1	1	
4	93104-20M02	OIL SEAL SELLO ACEITE	1	1	1	1	
5	93210-62269	O-RING JUNTA TORICA	1	1	1	1	
6	688-15379-00	SEAL, CRANKCASE SELLO DE CARTER	1	1	1	1	
7	90445-07M86	HOSE (L460) TUBO (L460)	1	1	1	1	
8	90467-06016	CLIP PRESILLA	2	2	2	2	
9	97095-06020	BOLT PERNO	3	3	3	3	
10	92995-06600	WASHER ARANDELA	3	3	3	3	
11	688-11411-01	CRANKSHAFT CIGUENAL	1	1	1	1	
12	93310-636U4	BEARING COJINETE DE RODILLOS	1	1	1	1	
13	93102-36M02	OIL SEAL RETEN DE ACEITE	1	1	1	1	
14	93210-46M16	O-RING JUNTA TORICA	1	1	1	1	
15	93310-835U8	BEARING COJINETE DE RODILLOS	2	2	2	2	
16	93306-206U5	BEARING COJINETE	1	1	1	1	
17	93410-32M00	CIRCLIP SEGURO	1	1	1	1	
18	688-11631-03-94	PISTON (STD) PISTON (NORMA)	3	3	3	3	
	688-11635-03	PISTON (0.25MM O/S) PISTON (0.25MM O/S)	3	3	3	3	AP
	688-11636-03	PISTON (0.50MM O/S) PISTON (0.50MM O/S)	3	3	3	3	AP
19	688-11603-A0	PISTON RING SET (STD) JUEGO DE ANILLOS (NORMA)	3	3	3	3	
	688-11604-A0	PISTON RING SET (0.25MM O/S) JUEGO DE ANILLOS (0.25MM O/S)	3	3	3	3	AP
	688-11605-A0	PISTON RING SET (0.50MM O/S) JUEGO DE ANILLOS (0.50MM O/S)	3	3	3	3	AP
20	663-11633-00	PIN, PISTON PASADOR, PISTON	3	3	3	3	
21	688-11634-00	CLIP, PISTON PIN PRESILLA, BULON DE PISTON	6	6	6	6	
22	688-11650-03	CONNECTING ROD ASSY BIELA COMPLETA	3	3	3	3	
23	90109-08022	BOLT PERNO	2	2	2	2	

FIG. 3 CRANKSHAFT. PISTON

CIGUENAL. PISTON

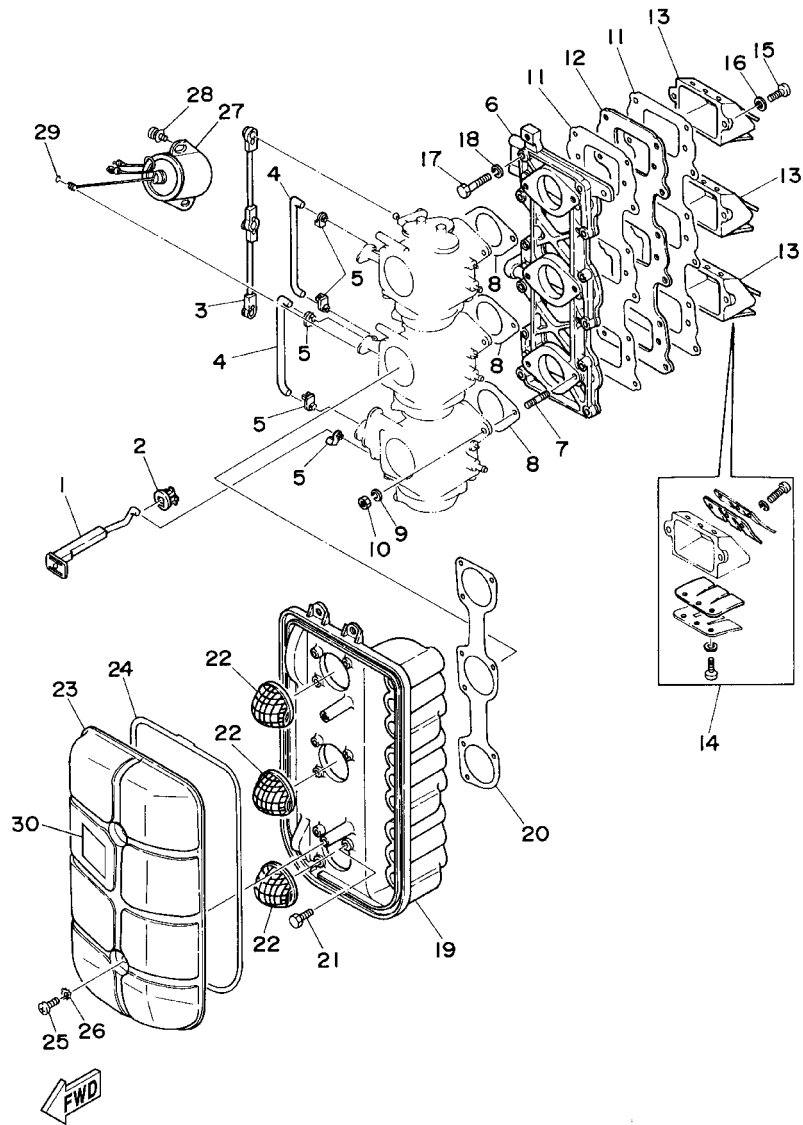


6H10010-0030

REF. NO.	PART NO. CODIGO NO.	DESCRIPTION DESCRIPTION	ET	TUNA	ED	EHD	REMARKS OBSERVACION
24	93603-21111	PIN, DOWEL PASADOR DE CLAVIJA	84	84	84	84	
25	90201-20417	WASHER, PLATE ARANDELA PLANA	6	6	6	6	
26	93310-730V8	BEARING COJINETE DE RODILLOS	3	3	3	3	

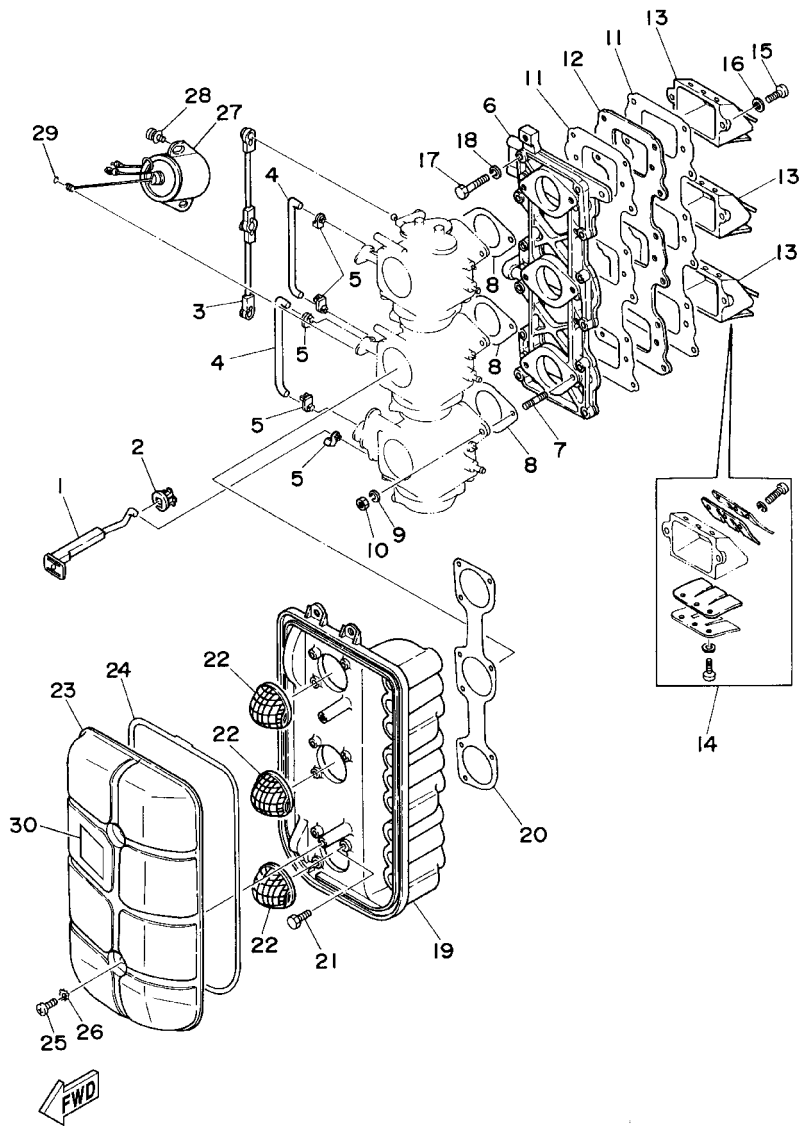
FIG. 4 INTAKE

ADMISION



6881200-2040

REF. NO.	PART NO. CODIGO NO.	DESCRIPTION DESCRIPTION	ET	TUNA	ED	EHD	REMARKS OBSERVACION
1	692-41256-00	ROD, CHOKE 1 VARILLA DE AHOGADOR	1	1	1	1	
2	689-41273-00	GROMMET TAPON PROTECTOR	1	1	1	1	
3	688-41217-01	ROD, ACCEL. LEVER VARILLA PALANCA ACELERADOR	1	1	1	1	
4	688-41257-01	ROD, CHOKE 2 VARILLA DE AHOGADOR	2	2	2	2	
5	661-41262-02	JOINT, CHOKE LEVER CONECTOR DE AHOGADOR	5	5	5	5	
6	688-13641-00-94	MANIFOLD 1 MULTIPLE 1	1	1	1	1	
7	90116-06122	BOLT, STUD ESPARRAGO	6	6	6	6	
8	688-14198-A2	GASKET EMPAQUE	3	3	3	3	
9	92995-06100	WASHER, SPRING ARANDELA	6	6	6	6	
10	95380-06600	NUT, HEXAGON TUERCA	6	6	6	6	
11	688-13621-A1	GASKET, VALVE SEAT JUNTA, DE VALV.DE EMPAQUE	2	2	2	2	
12	688-13624-00	PLATE, REED VALVE PLACA DE VALVULA DE LAMINAS	1	1	1	1	
13	688-13610-00	REED VALVE ASSY VALVULA DE LAMINAS COMPLETA	3	3	3	3	85A
	692-13610-00	REED VALVE ASSY VALVULA DE LAMINAS COMPLETA	3	3	3	3	75A
14	688-W0004-00	.REED SET .JUEGO DE VALVULAS DE LENGUETA	1	1	1	1	FOR 688-13610-00
	692-W0004-00	.REED SET .JUEGO DE VALVULAS DE LENGUETA	1	1	1	1	FOR 692-13610-00
15	97880-05020	SCREW, PAN HEAD TORNILLO DE CABEZA CON PLANA	6	6	6	6	
16	92990-05100	WASHER, SPRING ARANDELA GROWER	6	6	6	6	
17	97013-06030	BOLT PERNO	12	12	12	12	
18	92903-06100	WASHER, SPRING RONDANA SENCILLA	12	12	12	12	
19	688-14417-01-94	COVER 1 CUBIERTA 1	1	1	1	1	
20	688-14483-A0	GASKET EMPAQUE	1	1	1	1	
21	97013-06018	BOLT PERNO	6	6	6	6	
22	688-14481-00	CAP, CARBURETOR TAPA DE CARBURADOR	3	3	3	3	
23	688-14418-01	COVER 2 CUBIERTA 2	1	1	1	1	
24	688-14416-01	GASKET, AIR CLEANER EMPAQUE	1	1	1	1	
25	97885-06016	SCREW, PAN HEAD TORNILLO A MUESCA	2	2	2	2	



6881200-2040

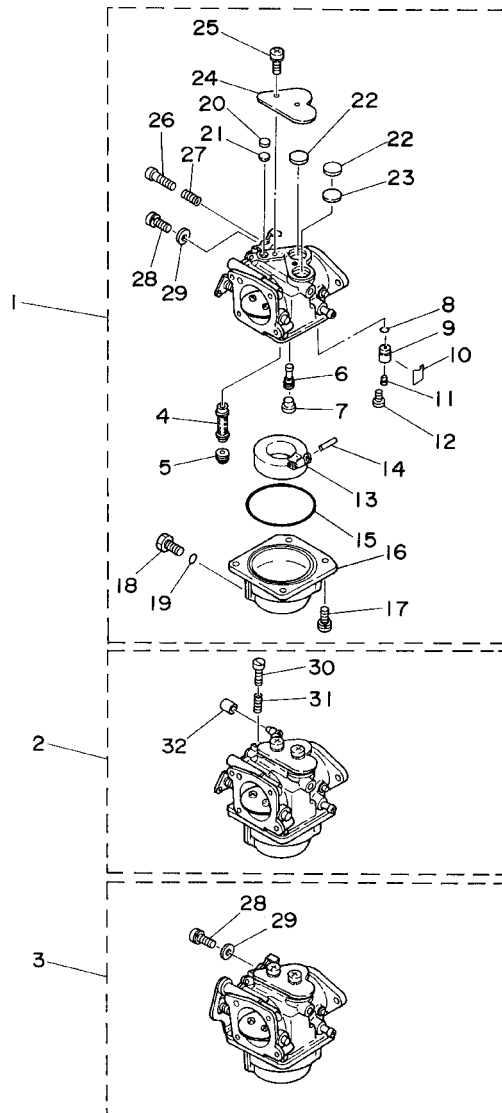
FIG. 4 INTAKE

ADMISION

REF. NO.	PART NO. CODIGO NO.	DESCRIPTION DESCRIPTION	ET	TUNA	ED	EHD	REMARKS OBSERVACION
26	90209-06M05	WASHER ARANDELA DE SEPARACION	2	2	2	2	
27	688-86110-01	SOLENOID SOLENOIDE	1	1	1		
28	90159-06M19	SCREW, WITH WASHER TORNILLO CON VALONA	2	2	2		
29	93210-03261	O-RING JUNTA TORICA	1	1	1		
30	6H1-14488-00	LABEL, CAUTION ETIQUETA. PRECAUCION	1	1	1	1	
<hr/>							
<hr/>							
<hr/>							
<hr/>							
<hr/>							
<hr/>							
<hr/>							
<hr/>							
<hr/>							
<hr/>							

FIG. 5 CARBURETOR

CARBURADOR



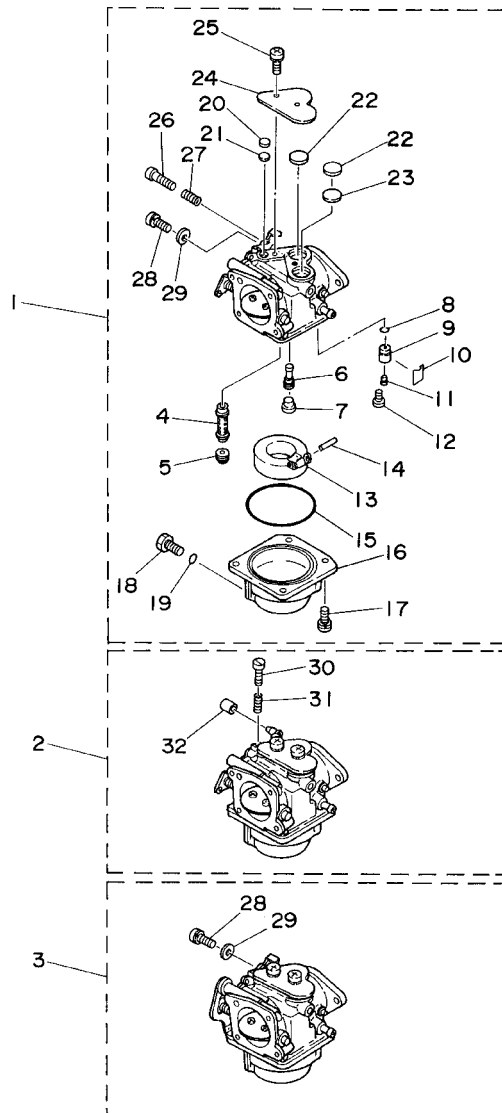
REF. NO.	PART NO. CODIGO NO.	DESCRIPTION DESCRIPTION	ET	TUNA	ED	EHD	REMARKS OBSERVACION
1	688-14301-08	CARBURETOR ASSY 1 CARBURADOR COMPLETO 1	1	1	1	1	85A
	688-14301-20	CARBURETOR ASSY 1 CARBURADOR COMPLETO 1	1				85A-FOR BRAZIL
	692-14301-25	CARBURETOR ASSY 1 CARBURADOR COMPLETO 1	1		1	1	75A
2	688-14302-08	CARBURETOR ASSY 2 CARBURADOR COMPLETO 2	1	1	1	1	85A
	688-14302-20	CARBURETOR ASSY 2 CARBURADOR COMPLETO 2	1				85A-FOR BRAZIL
	692-14302-25	CARBURETOR ASSY 2 CARBURADOR COMPLETO 2	1		1	1	75A
3	688-14303-08	CARBURETOR ASSY 3 CARBURADOR COMPLETO 3	1	1	1	1	85A
	688-14303-20	CARBURETOR ASSY 3 CARBURADOR COMPLETO 3	1				85A-FOR BRAZIL
	692-14303-25	CARBURETOR ASSY 3 CARBURADOR COMPLETO 3	1		1	1	75A
4	688-14947-00	.JET, NEEDLE .INYEKTOR DE AGUJA	3	3	3	3	85A
	692-14947-00	.JET, NEEDLE .INYEKTOR DE AGUJA	3		3	3	75A
5	676-14943-40	.JET, MAIN (#165) .INYEKTOR PRINCIPAL (#165)	3	3	3	3	85A
	676-14943-44	.JET, MAIN (#185) .INYEKTOR PRINCIPAL (#185)	3				85A-FOR BRAZIL
	676-14943-42	.JET, MAIN (#175) .INYEKTOR PRINCIPAL (#175)	3		3	3	75A
6	676-14948-18	.JET (#78) .INYEKTOR (#78)	3	3	3	3	85A
	676-14948-23	.JET (#90) .INYEKTOR (#90)	3				85A-FOR BRAZIL
	676-14948-19	.JET (#80) .INYEKTOR (#80)	3		3	3	75A
7	676-14966-00	.CAP .TAPA	3	3	3	3	
8	93210-04228	.O-RING .JUNTA TORICA	3	3	3	3	
9	692-14590-01	.NEEDLE VALVE ASSY .VALVULA DE AGUJA COMPLETA	3	3	3	3	
10	663-14159-00	.CLIP .PRESILLA	3	3	3	3	
11	676-14186-00	.PIN, FLOAT .PASADOR DE LA BOYA	3	3	3	3	
12	98580-04008	.SCREW, PAN HEAD .TORNILLO DE CABEZA CRUZADA	3	3	3	3	
13	676-14985-01	.FLOAT .BOIA	3	3	3	3	
14	688-14548-00	.PIN, FLOAT ARM .PASADOR DE BRAZO DE BOIA	3	3	3	3	
15	676-14984-00	.GASKET, FLOAT CHAMBER .EMPAQUE CAMARA DE BOIA	3	3	3	3	
16	688-14980-00	.BODY, FLOAT CHAMBER .CUERPO CAMARA DE BOIA	3	3	3	3	



6880010-4050

FIG. 5 CARBURETOR

CARBURADOR



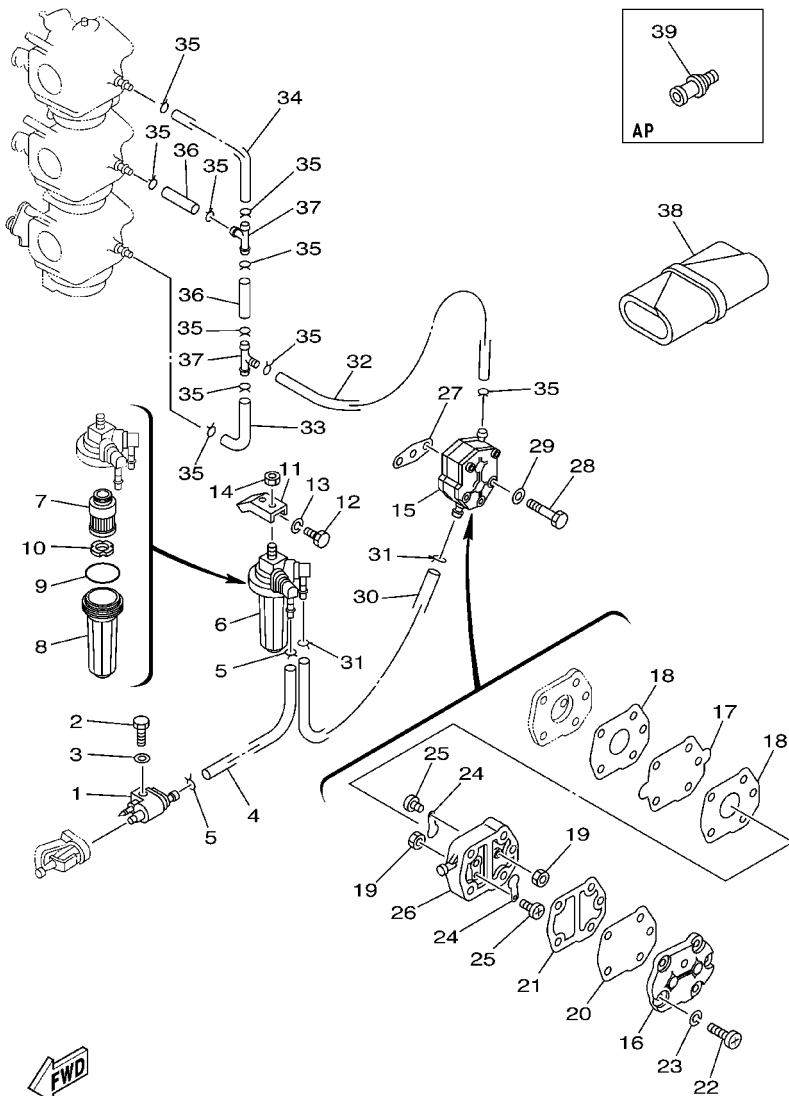
REF. NO.	PART NO. CODIGO NO.	DESCRIPTION DESCRIPTION	ET	TUNA	ED	EHD	REMARKS OBSERVACION
17	97980-04114	.SCREW, WITH WASHER .TORNILLO, CON ARANDELA	12	12	12	12	
18	6H3-14992-00	.SCREW, DRAIN .TORNILLO, SEGURO	3	3	3	3	
19	93210-04230	.O-RING .JUNTA TORICA	3	3	3	3	
20	663-14126-00	.GASKET .EMPAQUE	3	3	3	3	
21	663-14527-00	.PLATE .PLACA	3	3	3	3	
22	688-14126-00	.GASKET .EMPAQUE	6	6	6	6	
23	688-14527-00	.PLATE .PLACA	3	3	3	3	
24	688-14572-01	.PLATE, STAY .PLACA DE SOPORTE	3	3	3	3	
25	97980-05310	.SCREW, WITH WASHER .TORNILLO, CON ARANDELA	6	6	6	6	
26	692-14923-00	.SCREW, PILOT .TORNILLO DE AJUSTE	3	3	3	3	
27	679-14555-00	.SPRING .RESORTE	3	3	3	3	
28	6K5-14592-00	.SCREW .TORNILLO	2	2	2	2	#1,3
29	90201-05652	.WASHER, PLATE .ARANDELA PLANA	2	2	2	2	#1,3
30	63V-14523-00	.SCREW, STOP .TORNILLO DE TOPE	1	1	1	1	#2
31	90501-10326	.SPRING, COMPRESSION .RESORTE DE COMPRESION	1	1	1	1	#2
32	6H2-14578-00	.COLLAR .COLLAR	1	1	1	1	#2



6880010-4050

FIG. 6 FUEL 1

COMBUSTIBLE 1

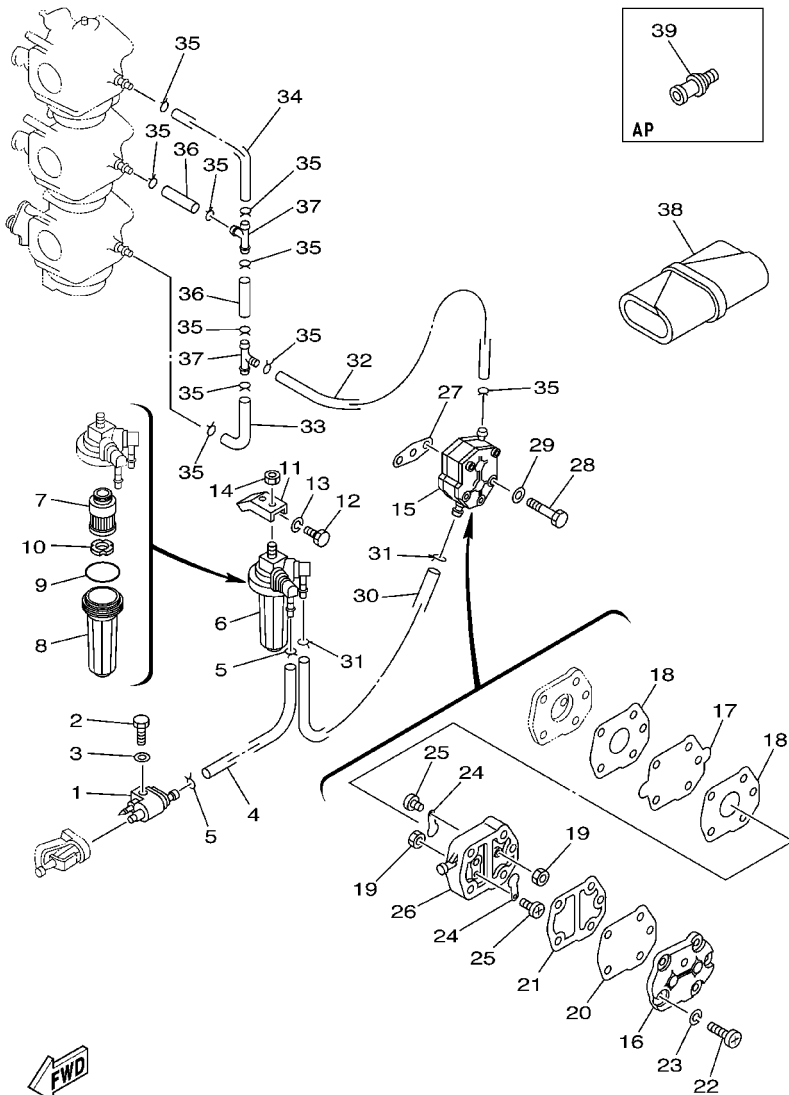


6882664-3060

REF. NO.	PART NO. CODIGO NO.	DESCRIPTION DESCRIPTION	ET	TUNA	ED	EHD	REMARKS OBSERVACION
1	6G1-24304-02	FUEL PIPE JOINT COMP. 1 CONECTOR MANGUERA COMBUST.1	1	1	1	1	
2	97095-06020	BOLT PERNO	1	1	1	1	
3	92995-06600	WASHER ARANDELA	1	1	1	1	
4	90445-09090	HOSE TUBO	1	1	1	1	
5	90467-08004	CLIP PRESILLA	2	2	2	2	
6	64J-24560-00	FILTER ASSY FILTRO COMPLETO	1	1	1	1	
7	68V-24563-00	.ELEMENT, FILTER .ELEMENTO DEL FILTRO	1	1	1	1	
8	68V-24521-00	.CUP, FILTER .COPA DE FILTRO	1	1	1	1	
9	93210-32738	.O-RING .JUNTA TORICA	1	1	1	1	
10	68V-24469-00	.FLOAT, WATER LEVEL .BOIA	1	1	1	1	
11	648-24566-02	BRACKET, FILTER SOPORTE DEL FILTRO	1	1	1	1	
12	97013-06014	BOLT PERNO	1	1	1	1	
13	92903-06100	WASHER, SPRING RONDANA SENCILLA	1	1	1	1	
14	95380-08600	NUT TUERCA	1	1	1	1	
15	692-24410-00	FUEL PUMP ASSY BOMBA DE COMBUSTIBLE COMPLETA	1	1	1	1	
16	6A0-24413-00	.BODY 2 .CUERPO 2	1	1	1	1	
17	692-24411-00	.DIAPHRAGM .DIAFRAGMA	1	1	1	1	
18	648-24434-01	.GASKET, BODY .EMPAQUE	2	2	2	2	
19	95380-03600	.NUT .TUERCA	2	2	2	2	
20	663-24411-00	.DIAPHRAGM .DIAFRAGMA	1	1	1	1	
21	648-24435-02	.GASKET, BODY 2 .EMPAQUE	1	1	1	1	
22	98503-05028	.SCREW, PAN HEAD .TORNILLO DE CABEZA DE CONO AC	3	3	3	3	
23	92990-05100	.WASHER, SPRING .ARANDELA GROWER	3	3	3	3	
24	6A0-24421-01	.VALVE, CHECK .VALVULA DE RETENCION	2	2	2	2	
25	6A0-14325-00	.SCREW, PAN HEAD .TORNILLO CABEZA REDONDA	2	2	2	2	
26	6A0-24412-02	.BODY 1 .CUERPO 1	1	1	1	1	
27	650-24431-A0	GASKET, FUEL PUMP 1 EMPAQUE BOMBA COMBUST 1	1	1	1	1	

FIG. 6 FUEL 1

COMBUSTIBLE 1

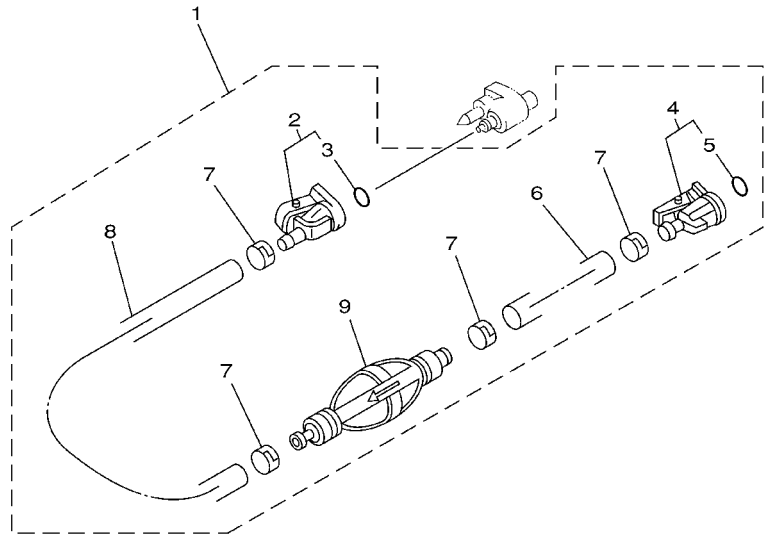


6882664-3060

REF. NO.	PART NO. CODIGO NO.	DESCRIPTION DESCRIPTION	ET	TUNA	ED	EHD	REMARKS OBSERVACION
28	97095-06040	BOLT PERNO	2	2	2	2	
29	92995-06600	WASHER ARANDELA	2	2	2	2	
30	90445-09221	HOSE (L205) TUBO (L205)	1	1	1	1	
31	90467-08004	CLIP PRESILLA	2	2	2	2	
32	90445-09097	HOSE TUBO	1	1	1	1	
33	688-24313-00	PIPE 3 TUBO 3	1	1	1	1	
34	688-24314-00	PIPE 4 TUBO 4	1	1	1	1	
35	90467-08004	CLIP PRESILLA	10	10	10	10	
36	90445-09220	HOSE TUBO	2	2	2	2	
37	688-24378-00	PIPE, JOINT 4 TUBO DE UNION 4	2	2	2	2	
38	656-W2810-02	TOOL KIT JUEGO DE HERRAMIENTAS	1	1	1	1	
39	6E0-28193-00-94	PLUG, WATER CHECK TAPON DE CONTROL DE LA AGUA	1	1	1	1	AP D:12.5MM

FIG. 7 FUEL 2

COMBUSTIBLE 2

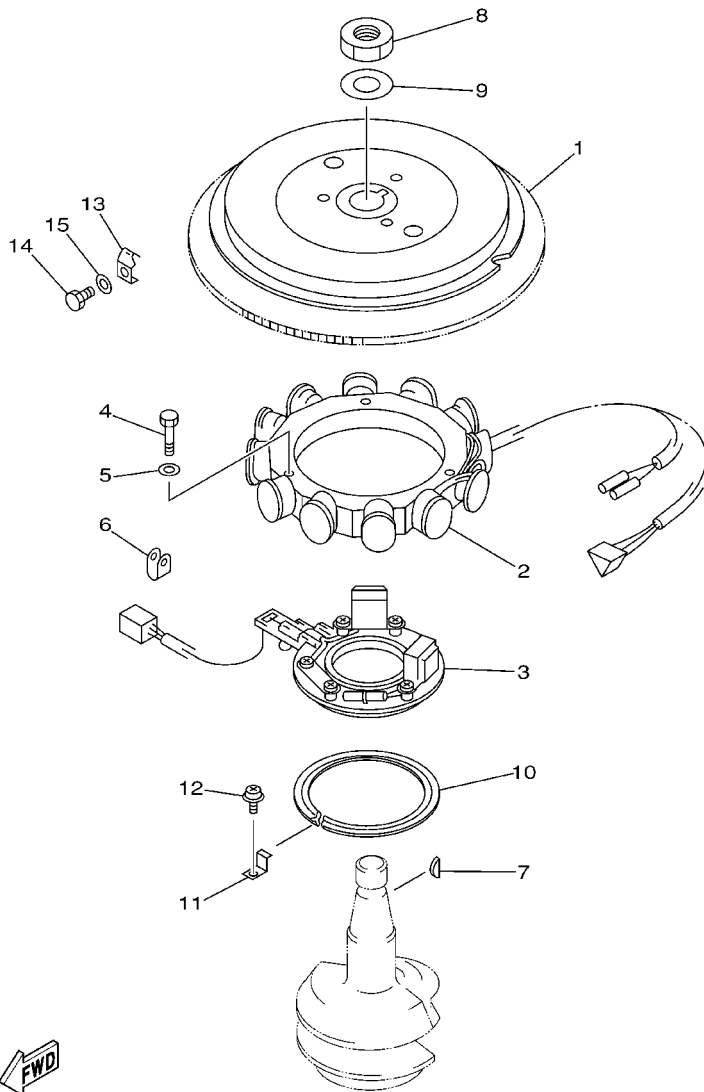


REF. NO.	PART NO. CODIGO NO.	DESCRIPTION DESCRIPTION	ET	TUNA	ED	EHD	REMARKS OBSERVACION
1	6Y2-24306-53	FUEL PIPE COMP. 1 TUBO COMBUST. COMPL 1		1			AP FOR 85A
2	6E5-24305-04	.FUEL PIPE JOINT COMP. 2 .CONECTOR MANGUERA COMBUST. 2		1			
3	93210-08287	..O-RING ..JUNTA TORICA		1			
4	6Y2-24305-04	.FUEL PIPE JOINT COMP. 2 .CONECTOR MANGUERA COMBUST. 2		1			
5	93210-08287	..O-RING ..JUNTA TORICA		1			
6	90445-13M01	.HOSE (L2050) .MANGUERA (L2050)		1			
7	6E5-24351-51	.BAND 1 .ABRAZADERA 1		4			
8	90445-13M00	.HOSE (L850) .MANGUERA (L850)		1			
9	6Y2-24360-52	.PRIMER PUMP ASSY .SOPORTE BOMBA		1			

61U0200-0120

FIG. 8 GENERATOR

GENERADOR

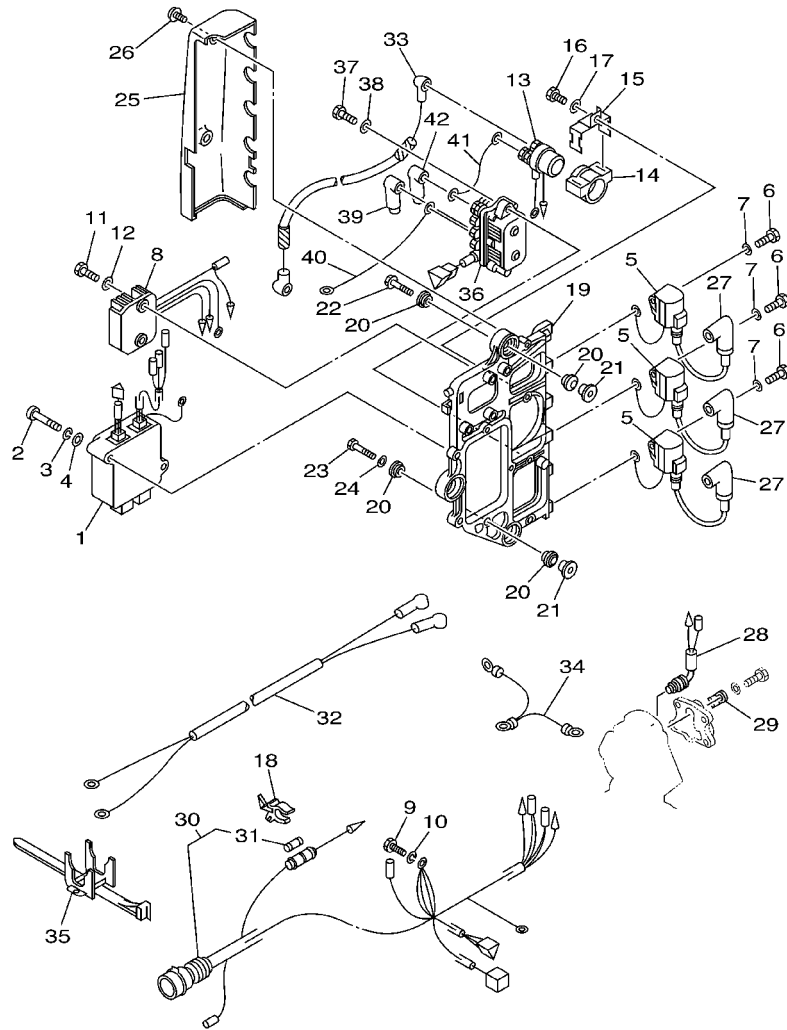


6880010-0070

REF. NO.	PART NO. CODIGO NO.	DESCRIPTION DESCRIPTION	ET	TUNA	ED	EHD	REMARKS OBSERVACION
1	688-85550-00	ROTOR ASSY ROTOR COMPLETO	1	1	1	1	
2	688-85510-01	STATOR ASSY ESTATOR COMPLET	1	1	1	1	
3	688-85580-00	COIL, PULSER BOBINA DE PULSACION	1	1	1	1	
4	97013-06030	BOLT PERNO	3	3	3	3	
5	92903-06600	WASHER, PLATE RONDANA SENCILLA	3	3	3	3	
6	90464-12M00	CLAMP BRIDA	1	1	1	1	
7	90280-05015	KEY, WOODRUFF CUNA WOODRUFF	1	1	1	1	
8	90170-20137	NUT TUERCA	1	1	1	1	
9	90201-21M18	WASHER, PLATE ARANDELA PLANA	1	1	1	1	
10	688-41611-00	RETAINER, MAGNETO BASE RETENEDOR BASE MAGNETO	1	1	1	1	
11	688-41612-00	RETAINER, MAGNETO BASE RETENEDOR BASE MAGNETO	3	3	3	3	
12	90159-06M31	SCREW, WITH WASHER TORNILLO CON VALONA	3	3	3	3	
13	688-81332-01	PLATE, TIMING PLACA REGULADOR DE TIEMPO	1	1	1	1	
14	97095-06010	BOLT PERNO	1	1	1	1	
15	92995-06600	WASHER ARANDELA	1	1	1	1	

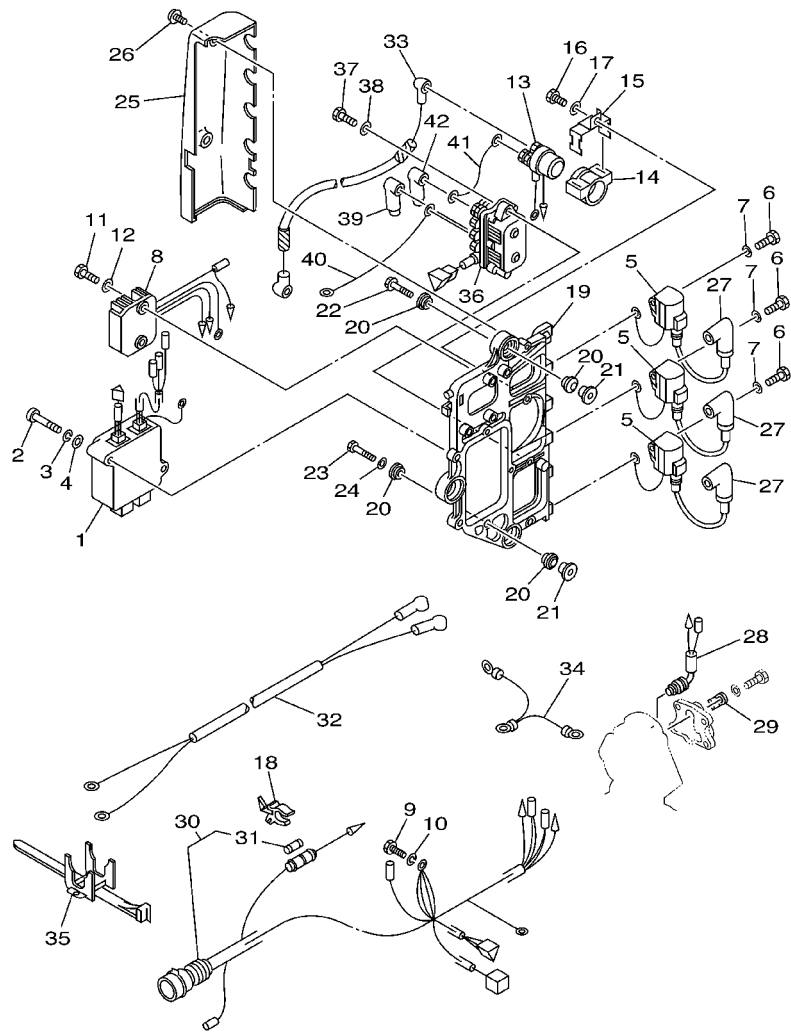
FIG. 9 ELECTRICAL 1

EQUIPO ELECTRICO 1



FWD
6880010-0081

REF. NO.	PART NO. CODIGO NO.	DESCRIPTION DESCRIPTION	ET	TUNA	ED	EHD	REMARKS OBSERVACION
1	688-85540-00	C.D.I. UNIT ASSY UNIDAD C.D.I. COMPLETA	1	1	1	1	
2	97880-06040	SCREW, PAN HEAD TORNILLO DE CABEZA CON PLANA	2	2	2	2	
3	92990-06100	WASHER, SPRING ARANDELA GROWER	2	2	2	2	
4	92990-06600	WASHER, PLATE ARANDELA PLANA	2	2	2	2	
5	697-85570-00	IGNITION COIL ASSY BOBINA DE IGNICION COMPLETO	3	3	3	3	
6	97095-06020	BOLT PERNO	3	3	3	3	
7	92995-06600	WASHER ARANDELA	3	3	3	3	
8	6H0-81960-00	RECTIFIER & REGULATOR ASSY RECTIFICADOR Y REGULADOR	1	1	1	1	
9	97095-06012	BOLT PERNO	1	1	1	1	
10	92995-06100	WASHER, SPRING ARANDELA	1	1	1	1	
11	97095-06020	BOLT PERNO	2	2	2	2	
12	92995-06600	WASHER ARANDELA	2	2	2	2	
13	6G1-81941-10	STARTER RELAY ASSY RELE DE ARRANQUE	1	1	1	1	
14	6G1-81952-00	HOLDER, RELAY SOSTEN DE RELE	1	1	1	1	
15	6E9-81945-70	PLATE, SWITCH FITTING PLACA ACCESORIA DE INTERRUPT.	1	1	1	1	
16	97013-06016	BOLT PERNO	1	1	1	1	
17	92903-06600	WASHER, PLATE RONDANA SENCILLA	1	1	1	1	
18	6G5-82152-00	HOLDER, FUSE PORTA-FUSIBLES	1	1	1	1	
19	6H1-85542-00-94	BRACKET SOPORTE	1	1	1	1	
20	90480-09M25	GROMMET TAPON	6	6	6	6	
21	90387-06M03	COLLAR COLLAR	3	3	3	3	
22	90119-06M75	BOLT, WITH WASHER TORNILLO CON ARANDELA	2	2	2	2	
23	90109-06M39	BOLT PERNO	1	1	1	1	
24	90201-06M31	WASHER, PLATE ARANDELA PLANA	1	1	1	1	
25	6H1-81916-00	COVER, TERMINAL CUBIERTA DE TERMINAL	1	1	1	1	
26	90159-06M11	SCREW, WITH WASHER TORNILLO CON VALONA	2	2	2	2	
27	663-82370-01	PLUG CAP ASSY TAPON DE BUJIA COMPLT	3	3	3	3	



6880010-0081

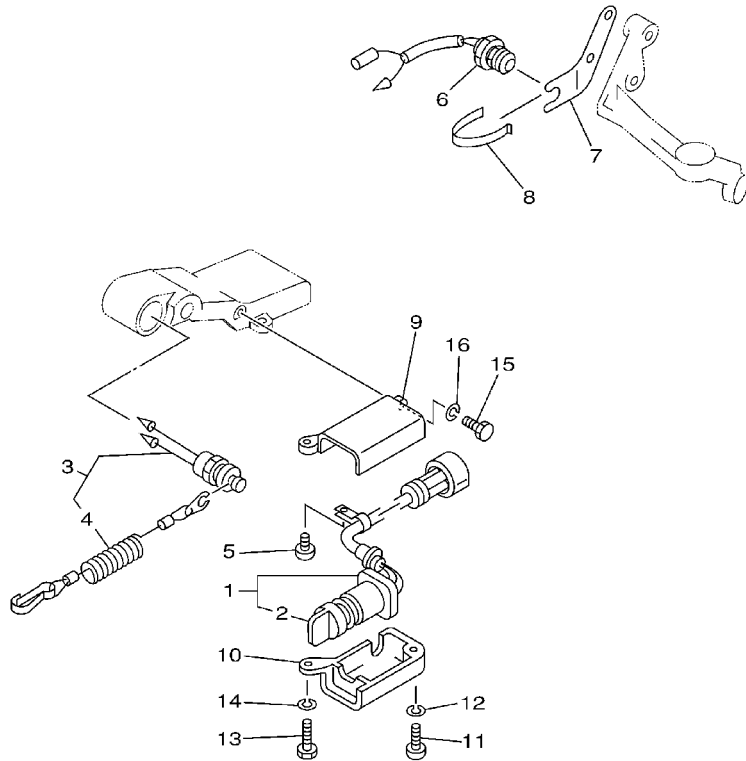
FIG. 9 ELECTRICAL 1

EQUIPO ELECTRICO 1

REF. NO.	PART NO. CODIGO NO.	DESCRIPTION DESCRIPTION	ET	TUNA	ED	EHD	REMARKS OBSERVACION
27	6G1-82370-21	PLUG CAP ASSY TAPON DE BUJIA COMPLT	3		3	3	85A-FOR CARIB
28	688-82560-10	THERMO SWITCH ASSY INTER. DE TERMO	1	1	1	1	
29	688-82588-01	PLATE PLACA	1	1	1	1	
30	688-82590-17	WIRE HARNESS ASSY CONJUNTO DE CABLES	1				
	688-82590-04	WIRE HARNESS ASSY CONJUNTO DE CABLES		1	1		
	688-82590-20	WIRE HARNESS ASSY CONJUNTO DE CABLES				1	
31	663-82151-00	.FUSE (12V-20A) .FUSIBLE (12V-20A)	1	1	1	1	
32	6H0-82105-02	WIRE HARNESS ARNES DE CABLES	1	1	1	1	
33	6H0-82117-00	WIRE, LEAD CABLE CONDUCTOR	1	1	1	1	
34	697-82519-00	WIRE, EARTH LEAD CABLE CONDUCTOR A TIERRA	1	1	1	1	
35	688-82594-00	CLAMP GRAMPA	1	1	1	1	
36	61A-81950-00	RELAY ASSY RELE COMPLETO	1				
37	97095-06025	BOLT PERNO	2				
38	92995-06600	WASHER ARANDELA	2				
39	682-82119-01	COVER, LEAD WIRE CUBIERTA DE CABLE CONDUCTOR	2				
40	6H0-81949-10	WIRE, LEAD CABLE CONDUCTOR	1				
41	6H0-81949-01	WIRE, LEAD CABLE CONDUCTOR	1				
42	682-82119-01	COVER, LEAD WIRE CUBIERTA DE CABLE CONDUCTOR	1				

FIG. 10 ELECTRICAL 2

EQUIPO ELECTRICO 2



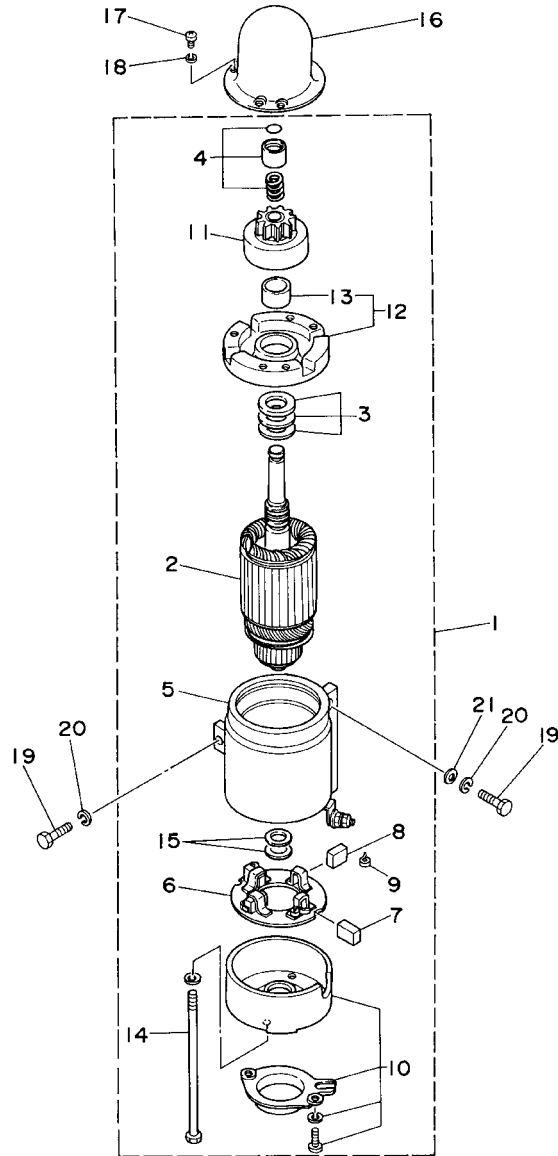
REF. NO.	PART NO. CODIGO NO.	DESCRIPTION DESCRIPTION	ET	TUNA	ED	EHD	REMARKS OBSERVACION
1	6H3-82510-02	MAIN SWITCH ASSY CONJUNTO DE LLAVE IGNICION				1	
2	676-82577-00	.CAP, KEY .TAPA				1	
3	688-82575-01	ENGINE STOP SWITCH ASSY INTERRUPTOR DE PARADA COMPL				1	
4	682-82556-00	.STOPPER .RETENER				1	
5	97885-06012	SCREW, PAN HEAD TORNILLO A MUESCA				1	
6	688-82540-11	NEUTRAL SWITCH ASSY INTERRUPTOR NEUTRAL COMPL				1	
7	663-82554-01	STAY, NEUTRAL SWITCH SOPORTE INTERRUPTOR DE NEUTRAL				1	
8	663-82555-01	DAMPER, MAIN SWITCH 1 AMORT.DE INTER.PPAL.1				1	
9	697-8252E-01-4D	MAIN SWITCH COMP. INTERRUPTOR PRINC. COMPLETO				1	
10	697-8252F-01-4D	COVER, MAIN SWITCH CUBIELA INTERRUPTOR PRINC.2				1	
11	97880-06025	SCREW, PAN HEAD TORNILLO DE CABEZA CON PLANA				1	
12	92990-06100	WASHER, SPRING ARANDELA GROWER				1	
13	97013-06030	BOLT PERNO				1	
14	92903-06100	WASHER, SPRING RONDANA SENCILLA				1	
15	97013-06020	BOLT PERNO				1	
16	92903-06100	WASHER, SPRING RONDANA SENCILLA				1	



6880200-1100

FIG. 11 STARTING MOTOR

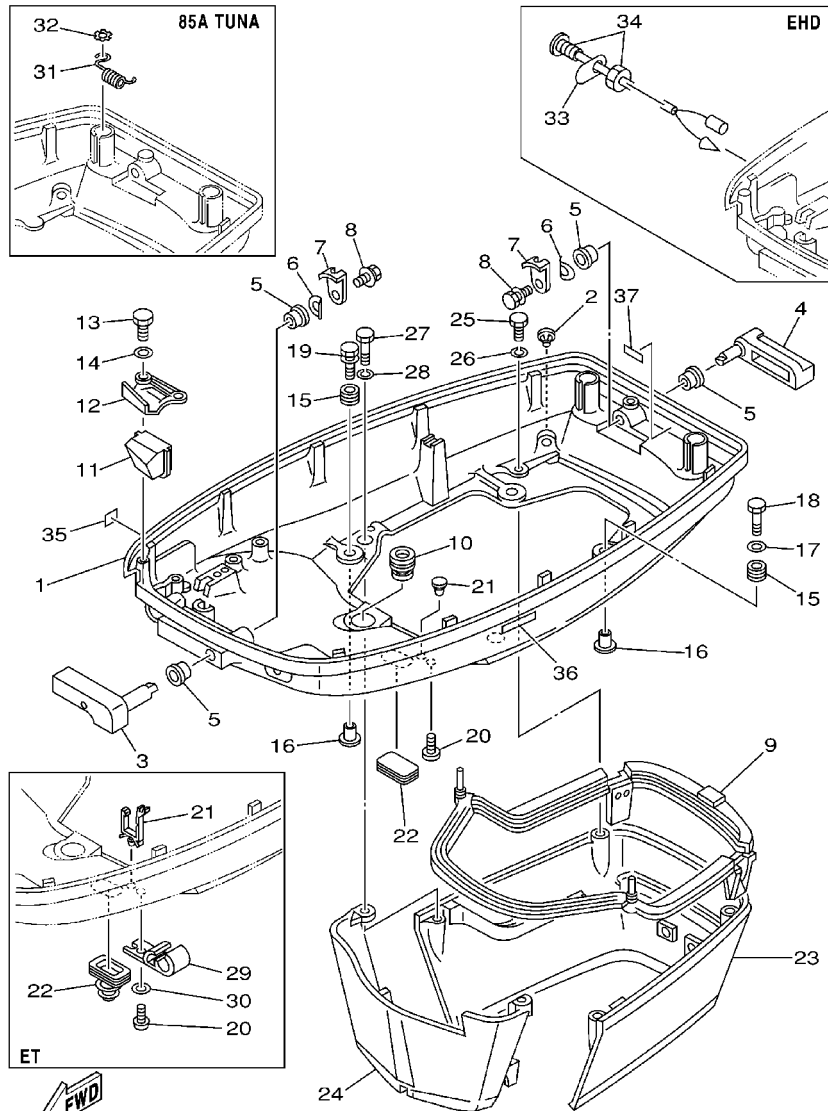
MOTOR DE ARRANQUE



REF. NO.	PART NO. CODIGO NO.	DESCRIPTION DESCRIPTION	ET	TUNA	ED	EHD	REMARKS OBSERVACION
1	688-81800-12	STARTING MOTOR ASSY MOTOR DE ARRANQUE COMPLETO	1	1	1	1	
2	676-81850-11	.ARMATURE ASSY .INDUCIDO COMPLETO	1	1	1	1	
3	676-81809-10	.WASHER KIT .JUEGO DE ARANDELA	1	1	1	1	
4	676-81857-10	.PINION STOPPER SET .JUEGO TAPON PINON	1	1	1	1	
5	688-81810-11	.STATOR ASSY .ESTATOR COMPLETO	1	1	1	1	
6	663-81840-11	.BRUSH HOLDER ASSY .SOSTEN DE ESCOBILLA COMPLETO	1	1	1	1	
7	663-81811-11	.BRUSH 1 .ESCOBILLA 1	2	2	2	2	
8	663-81812-11	.BRUSH 2 .ESCOBILLA 2	2	2	2	2	
9	663-81813-10	.SPRING, BRUSH .RESORTE DE ESCOBILLA	4	4	4	4	
10	663-81820-12	.REAR BRACKET ASSY .CUBIERTA TRASERA COMPL	1	1	1	1	
11	663-81832-11	.PINION ASSY .PINON COMPL	1	1	1	1	
12	688-81830-11	.FRONT BRACKET ASSY .SOPORTE DELANTERO COMPLETO	1	1	1	1	
13	688-81831-00	..METAL, FRONT ..METAL, DELANTERO	1	1	1	1	
14	663-81826-10	.BOLT .PERNO	2	2	2	2	
15	688-81824-00	.WASHER 2 .ARANDELA 2	2	2	2	2	
16	688-81842-00	COVER TAPA	1	1	1	1	
17	97880-04010	SCREW, PAN HEAD TORNILLO DE CABEZA CON PLANA	3	3	3	3	
18	92990-04600	WASHER, PLATE ARANDELA PLANA	3	3	3	3	
19	97013-08030	BOLT PERNO	3	3	3	3	
20	92903-08100	WASHER, SPRING RONDANA SENCILLA	3	3	3	3	
21	92990-08600	WASHER, PLATE ARANDELA PLANA	2	2	2	2	



6880010-5090

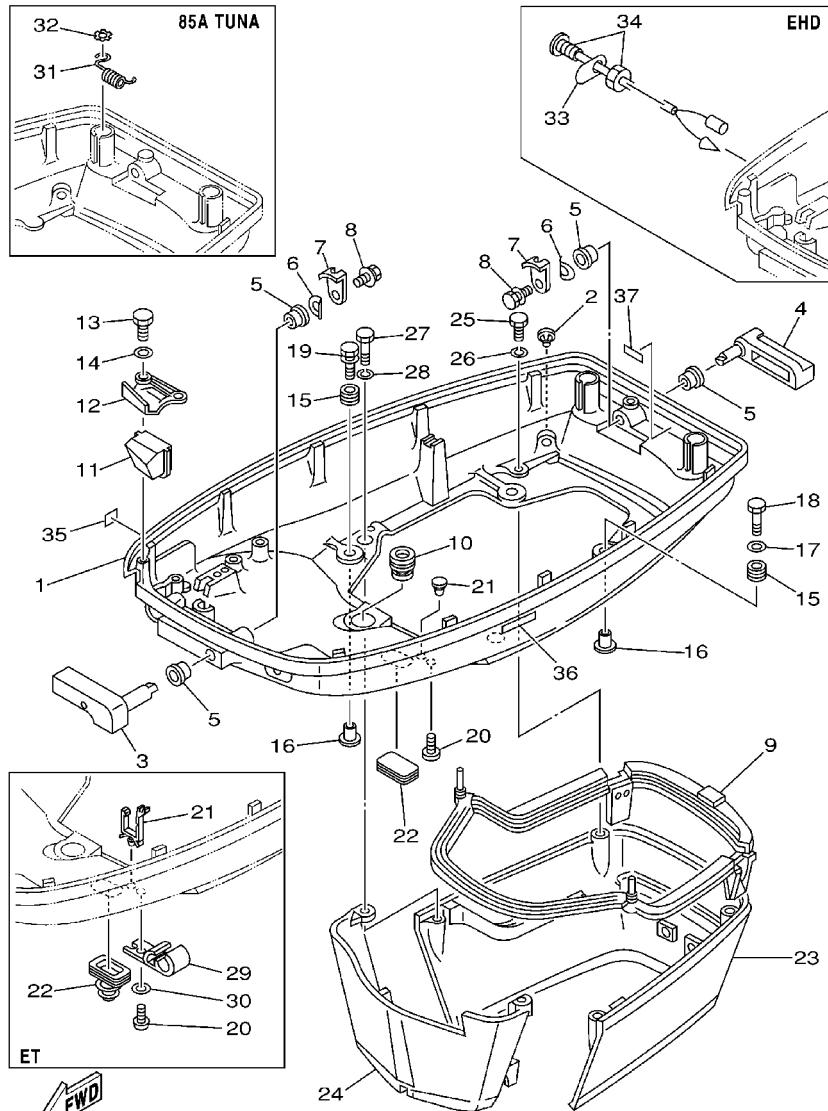


6881200-2120

FIG. 12 BOTTOM COWLING

CUBIERTA INFERIOR

REF. NO.	PART NO. CODIGO NO.	DESCRIPTION DESCRIPTION	ET	TUNA	ED	EHD	REMARKS OBSERVACION
1	688-42711-04-4D	COWLING, BOTTOM CUBIERTA INFERIOR	1	1	1		
	692-42711-02-4D	COWLING, BOTTOM CUBIERTA INFERIOR				1	
2	6H3-44391-01	NIPPLE, HOSE NIPLE MANGUERA	1	1	1	1	
3	688-42815-01-4D	LEVER, CLAMP PALANCA ABRAZADERA	1	1	1	1	
4	688-42817-01-4D	LEVER, CLAMP PALANCA ABRAZADERA	1	1	1	1	
5	90386-13M38	BUSH BUJE	4	4	4	4	
6	90206-13019	WASHER, WAVE ARANDELA ONDULADA	2	2	2	2	
7	688-42816-00	LEVER, CLAMP PALANCA ABRAZADERA	2		2	2	
	688-42816-60	LEVER, CLAMP PALANCA ABRAZADERA		2			85A
8	90119-06M09	BOLT, WITH WASHER TORNILLO CON ARANDELA	2	2	2	2	
9	688-42716-02	RUBBER, SEAL 1 SELLO DE GOMA 1	1	1	1	1	
10	663-42724-00	GROMMET TAPON	1	1	1	1	
11	688-42725-02	GROMMET TAPON		1	1		
	688-42725-10	GROMMET TAPON	1				
	692-42725-00	GROMMET TAPON				1	
12	688-42738-01-94	PLATE, FITTING PLACA DE AJUSTE	1	1	1	1	
13	97095-06016	BOLT PERNO	2	2	2	2	
14	92995-06600	WASHER ARANDELA	2	2	2	2	
15	90480-09M12	GROMMET TAPON	4	4	4	4	
16	90387-06M69	COLLAR COLLAR	4	4	4	4	
17	90201-06416	WASHER, PLATE ARANDELA PLANA	1	1	1	1	
18	97095-06030	BOLT PERNO	1	1	1	1	
19	90119-06M61	BOLT, WITH WASHER TORNILLO CON ARANDELA	3	3	3	3	
20	90338-05M03	PLUG TAPON		1	1	1	
	90157-06M01	SCREW, PAN HEAD TORNILLO CABEZA CONICA PLANA	1				
21	703-82119-00	COVER, LEAD WIRE CUBIERTA DE CABLE CONDUCTOR		1	1	1	
	90464-09M13	CLAMP BRIDA	1				



6881200-2120

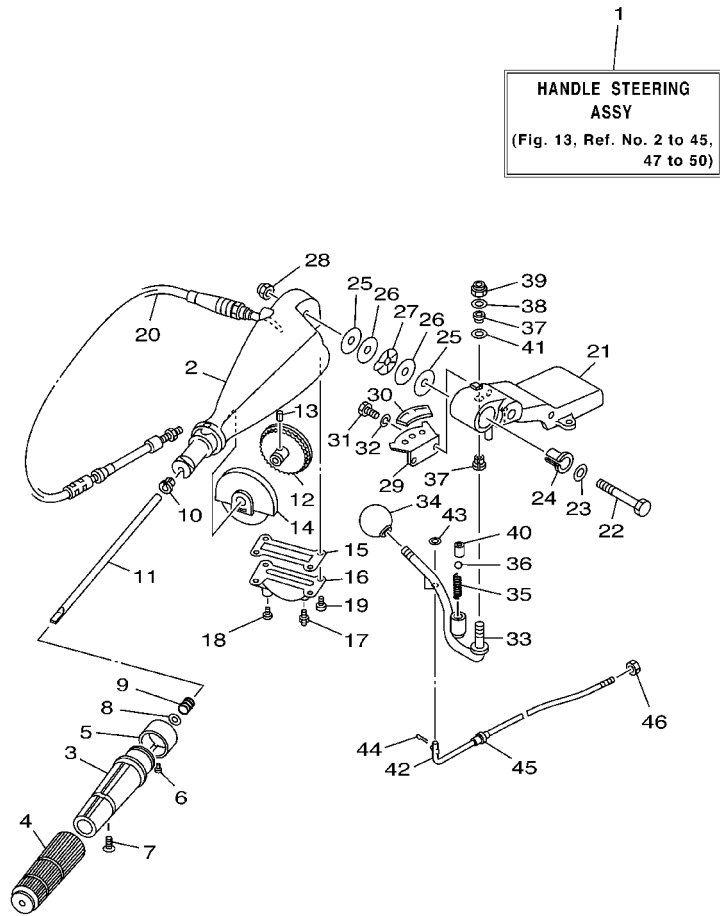
FIG. 12 BOTTOM COWLING

CUBIERTA INFERIOR

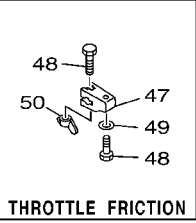
REF. NO.	PART NO. CODIGO NO.	DESCRIPTION DESCRIPTION	ET	TUNA	ED	EHD	REMARKS OBSERVACION
22	6H4-42726-00	GROMMET TAPON		1	1	1	
	688-42726-10	GROMMET TAPON		1			
23	688-42741-01-4D	APRON MANDIL	1	1	1	1	
24	688-42771-01-4D	APRON MANDIL	1	1	1	1	
25	97095-06020	BOLT PERNO	2	2	2	2	
26	92995-06100	WASHER, SPRING ARANDELA	2	2	2	2	
27	97095-06030	BOLT PERNO	2	2	2	2	
28	92995-06100	WASHER, SPRING ARANDELA	2	2	2	2	
29	6E5-24367-01	CLAMP, FUEL PIPE 2 GRAMPA DE TUBO DE COMBUST.2	1				
30	92990-06600	WASHER, PLATE ARANDELA PLANA	1				
31	90506-12M30	SPRING, TENSION RESORTE DE TENSION		1			85A
32	90183-10M04	NUT, SPRING TUERCA DE RESORTE		1			85A
33	692-85415-00	MARK, SIGNAL LAMP MARCO DE FOCO DE SENAL				1	
34	6H4-85411-00	OVERHEAT WARNING LAMP CALENTAR DEMASIADO DEL ALARMA				1	
35	6A1-28176-00	LABEL, CAUTION ETIQUETA DE PRECAUCION	1		1	1	85A-FOR CARIB
36	6E3-8257H-00	PLATE, MARK PLACA DE MARCA	1		1	1	85A-FOR CARIB
37	6G5-42791-00	MARK 1 MARCA 1	1	1	1	1	
	6G5-42791-10	MARK 1 MARCA 1	1		1	1	FOR CHINA, 85A-FOR CARIB

FIG. 13 STEERING

DIRECCION



1
HANDLE STEERING
ASSY
(Fig. 13, Ref. No. 2 to 45,
47 to 50)



THROTTLE FRICTION

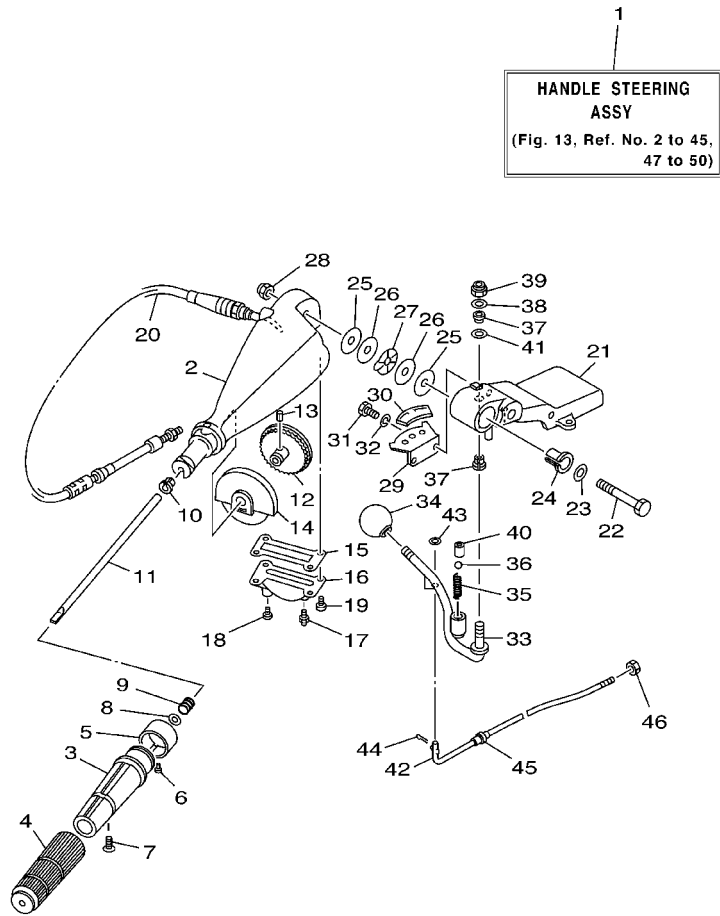


6882200-3130

REF. NO.	PART NO. CODIGO NO.	DESCRIPTION DESCRIPTION	ET	TUNA	ED	EHD	REMARKS OBSERVACION
1	692-W0084-11-4D	HANDLE STEERING ASSY CONJUNTO DE MANIJA				1	
2	692-42111-12-4D	HANDLE, STEERING MANIJA DE DIRECCION				1	
3	664-42119-00	GRIP, STEERING HANDLE MANGO, MANIJA DE DIRRECCION				1	
4	6F6-42177-A0	RUBBER, HANDLE HULE DE MANIJA				1	
5	692-42137-02	INDICATOR, THROTTLE INDICADOR ACELERADOR				1	
6	90269-02M09	RIVET REMACHE				1	
7	90149-05M13	SCREW TORNILLO DE REGLAJE				1	
8	92903-10600	WASHER, PLATE RONDANA SENCILLA				1	
9	90501-23215	SPRING, COMPRESSION RESORTE DE COMPRESION				1	
10	90386-08032	BUSH BUJE				1	
11	692-42115-00	SHAFT, STEERING HANDLE EJE MANIJA DE DIRECCION				1	
12	663-42138-00	LEVER, THROTTLE PLANCA DE ACELERACION				1	
13	90254-03003	PIN, SPRING PASADOR DE TIPO A RESORTE				1	
14	692-42135-00	HOUSING, THROTTLE LEVER CAJA PALANCA ACELERADOR				1	
15	663-42133-01	GASKET EMPAQUE				1	
16	692-42134-03-94	COVER, THROTTLE LEVER CUBIERTA PALANCA ACELERADOR				1	
17	93700-06M03	NIPPLE, GREASE BOQUILLA DE ENGRASAR				1	
18	97885-06008	SCREW, PAN HEAD TORNILLO A MUESCA				1	
19	97885-05012	SCREW, PAN HEAD TORNILLO A MUESCA				4	
20	692-26301-03	THROTTLE CABLE ASSY CABLE DE ACELERADOR COMPLETO				1	
21	692-42121-02-4D	BRACKET SOPORTE				1	
22	90101-12M06	BOLT TORNILLO				1	
23	92990-12200	WASHER, PLAIN ARANDELA PLANA				1	
24	90386-12089	BUSH BUJE				1	
25	90202-12092	WASHER, PLATE ARANDELA DE PLANA				2	
26	90201-12537	WASHER, PLATE ARANDELA PLANA				2	
27	90206-12054	WASHER, WAVE ARANDELA ONDULADA				1	

FIG. 13 STEERING

DIRECCION

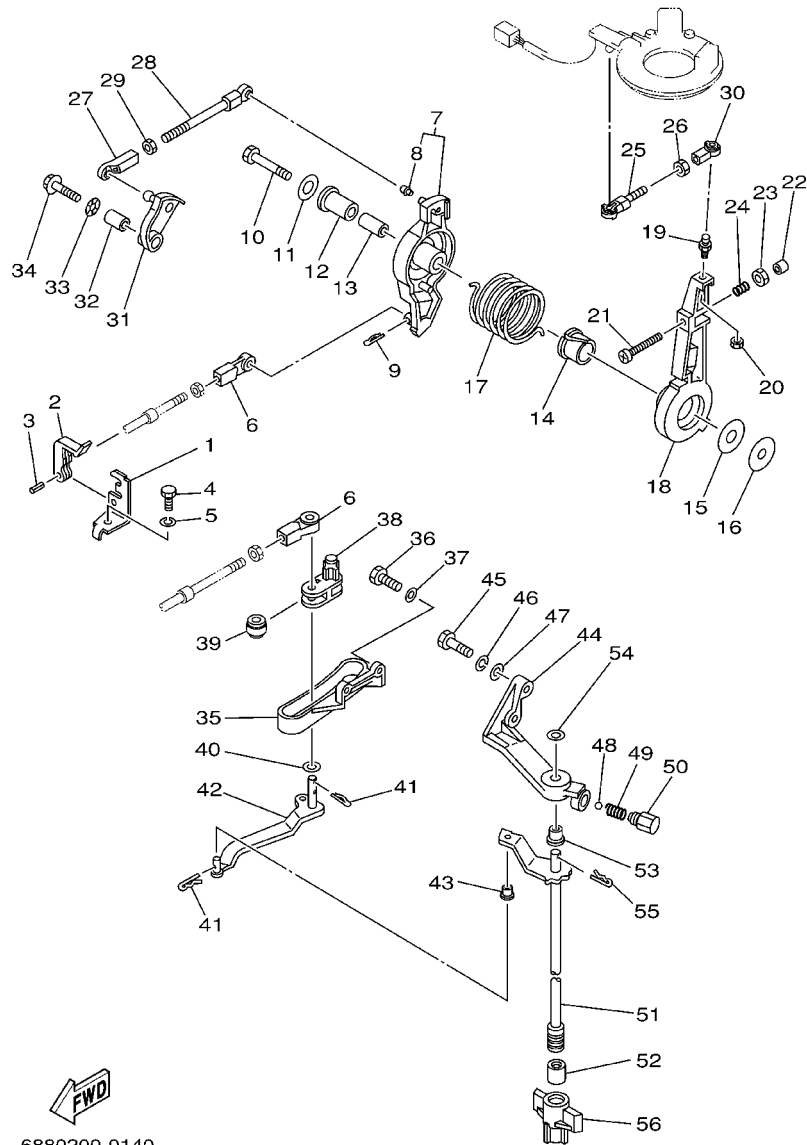


HANDLE STEERING ASSY
(Fig. 13, Ref. No. 2 to 45, 47 to 50)

THROTTLE FRICTION

REF. NO.	PART NO. CODIGO NO.	DESCRIPTION DESCRIPTION	ET	TUNA	ED	EHD	REMARKS OBSERVACION
28	90185-12058	NUT, SELF-LOCKING TUERCA AUTOBLOCANTE				1	
29	697-44113-00	CAM PLATE, HANDLE PLACA DE LA LEVA DEL MANGO				1	
30	6K5-44191-00	INDICATOR, SHIFT INDICADOR DE CAMBIOS				1	
31	97013-06016	BOLT PERNO				2	
32	92903-06100	WASHER, SPRING RONDANA SENCILLA				2	
33	692-44159-01	HANDLE, GEAR SHIFT MANIJA DE CAMBIO DE MARCHAS				1	
34	663-44173-00	LEVER, SHIFT CONTROL PALANCA CONTROL CAMBIOS				1	
35	90501-16M17	SPRING, COMPRESSION RESORTE DE COMPRESION				1	
36	93515-32M01	BALL ESFERA				1	
37	90386-10009	BUSH BUJE				2	
38	90201-10120	WASHER, PLATE ARANDELA PLANA				1	
39	90185-10051	NUT, SELF-LOCKING TUERCA AUTOBLOCANTE				1	
40	90387-12M30	COLLAR COLLAR				1	
41	90201-12M34	WASHER, PLATE ARANDELA PLANA				1	
42	692-42164-00	ROD, MANUAL SHIFT VARILLA DE CAMBIOS MANUAL				1	
43	92990-06600	WASHER, PLATE ARANDELA PLANA				1	
44	91490-25012	PIN, COTTER CHAVETA				1	
45	90386-06088	BUSH BUJE				1	
46	700-48339-00	NUT, CABLE END TUERCA TERMINAL				1	
47	663-42126-01	FRICTION, STEERING HANDLE GRIP FRICCION DE MANGO DIRECCION				1	
48	90101-06M27	BOLT TORNILLO				2	
49	92990-06600	WASHER, PLATE ARANDELA PLANA				1	
50	90175-06003	NUT, WING TUERCA MARIPOSA				1	

6882200-3130

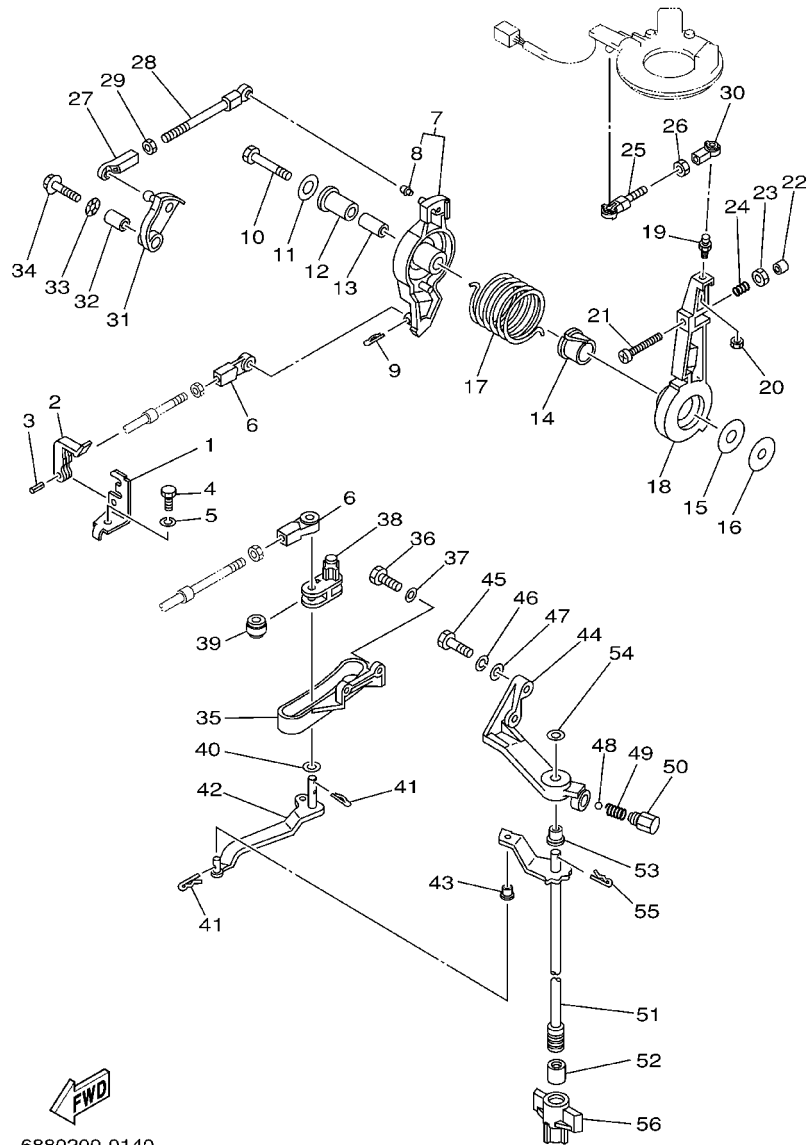


6880200-0140

FIG. 14 CONTROL

CONTROL

REF. NO.	PART NO. CODIGO NO.	DESCRIPTION DESCRIPTION	ET	TUNA	ED	EHD	REMARKS OBSERVACION
1	663-48531-00	BRACKET, REMOTE CONTROL SOPORTE DE CONTROL REMOTO	1	1	1	1	
2	663-48538-00	CLAMP, CABLE 1 GRAMPA DE CABLE	1	1	1	1	
3	91690-30012	PIN, SPRING PASADOR DE RESORTE	1	1	1	1	
4	97095-08016	BOLT PERNO	1	1	1	1	
5	92995-08100	WASHER ARANDELA	1	1	1	1	
6	663-48344-00	CABLE END, REMOTE CONTROL BASE CONTROL	2	2	2	2	
7	688-41632-01-94	LEVER, MAGNETO CONTROL PALANCA DE CONTROL DE MAGNETO	1	1	1	1	
8	662-41214-01	JOINT 1 .CONECTOR	1	1	1	1	
9	90468-18008	CLIP PRESILLA	1	1	1	1	
10	97095-08045	BOLT PERNO	1	1	1	1	
11	90201-08M23	WASHER, PLATE ARANDELA PLANA	1	1	1	1	
12	90386-12089	BUSH BUJE	1	1	1	1	
13	90387-08M16	COLLAR COLLAR	1	1	1	1	
14	90386-22M13	BUSH BUJE	1	1	1	1	
15	90202-12092	WASHER, PLATE ARANDELA DE PLANA	1	1	1	1	
16	90201-08M13	WASHER, PLATE ARANDELA PLANA	1	1	1	1	
17	90508-29M05	SPRING, TORSION RESORTE DE TORSION	1	1	1	1	
18	688-41631-01-94	LEVER, MAGNETO CONTROL PALANCA DE CONTROL DE MAGNETO	1	1	1	1	
19	663-85518-00	JOINT, BALL CONECTOR	1	1	1	1	
20	95303-05700	NUT TUERCA	1	1	1	1	
21	90157-06013	SCREW, PAN HEAD TORNILLO CABEZA CONICA PLANA	1	1	1	1	
22	688-44194-00	CAP TAPA	1	1	1	1	
23	95303-06600	NUT TUERCA	1	1	1	1	
24	90501-16M12	SPRING, COMPRESSION RESORTE DE COMPRESION	1	1	1	1	
25	682-41237-50	JOINT, LINK CONECTOR	1	1	1	1	
26	95380-05600	NUT TUERCA	1	1	1	1	
27	682-41237-00	JOINT, LINK CONECTOR	1	1	1	1	



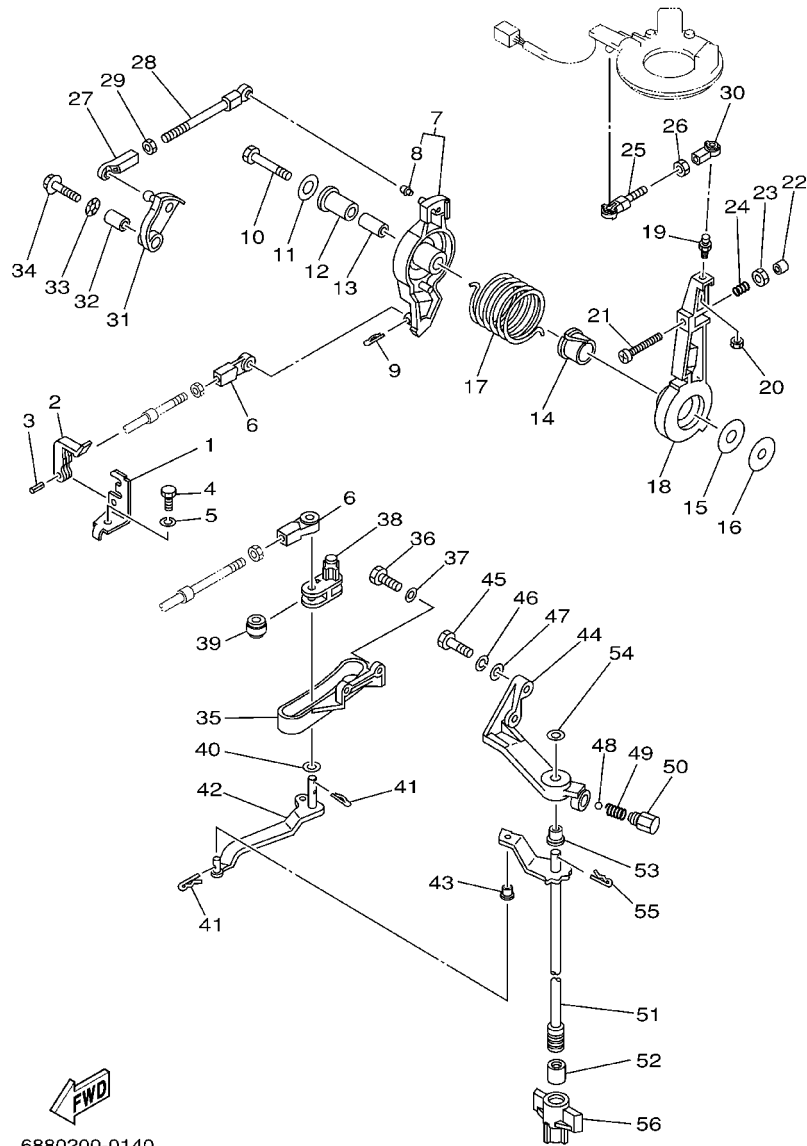
6880200-0140

FIG. 14 CONTROL

CONTROL

REF. NO.	PART NO. CODIGO NO.	DESCRIPTION DESCRIPTION	ET	TUNA	ED	EHD	REMARKS OBSERVACION
28	688-41211-01	LINK, ACCEL. ESLABON, ACELERADOR	1	1	1	1	
29	95380-05600	NUT TUERCA	1	1	1	1	
30	682-41237-00	JOINT, LINK CONECTOR	1	1	1	1	
31	688-41213-00	CAM, ACCEL. LEVA ACELERADOR	1	1	1	1	
32	90387-06M17	COLLAR COLLAR	1	1	1	1	
33	90206-10M04	WASHER, WAVE ARANDELA ONDULADA	1	1	1	1	
34	90119-06M24	BOLT, WITH WASHER TORNILLO CON ARANDELA	1	1	1	1	
35	688-44117-00-94	BRACKET SOPORTE	1	1	1	1	
36	97013-06020	BOLT PERNO	2	2	2	2	
37	92903-06600	WASHER, PLATE RONDANA SENCILLA	2	2	2	2	
38	688-44124-00	LINK, SHIFT ROD ESLABON	1	1	1	1	
39	688-44122-00	BUSHING, SHIFT ROD LEVER BUJE PALANCA VARILLA DE CAMBIO	1	1	1	1	
40	90202-07M07	WASHER, PLATE ARANDELA DE PLANA	1	1	1	1	
41	90468-18008	CLIP PRESILLA	3	3	3	3	
42	688-44121-02	LEVER, SHIFT ROD PALANCA VARILLA CAMBIOS	1	1	1	1	
	6H1-44121-00	LEVER, SHIFT ROD PALANCA VARILLA CAMBIOS	1		1	1	85A-FOR MALAYSIA, KOREA
43	90386-06M12	BUSH BUJE	1	1	1	1	EXCEPT 85A-FOR MALAYSIA, KOREA
44	688-44118-00-94	BRACKET SOPORTE	1	1	1	1	
45	97013-08030	BOLT PERNO	2	2	2	2	
46	92903-08100	WASHER, SPRING RONDANA SENCILLA	2	2	2	2	
47	92903-08600	WASHER, PLATE ARANDELA PLANA	2	2	2	2	
48	93501-04M02	BALL ESFERA	1	1	1	1	
49	90501-12082	SPRING, COMPRESSION RESORTE DE COMPRESION	1	1	1	1	
50	648-42715-00	BUSHING BUJE	1	1	1	1	
51	688-44120-12	HANDLE GEAR SHIFT ASSY MANIJA DE CAMBIO COMPL	1	1	1	1	L
	6H1-44120-12	HANDLE GEAR SHIFT ASSY MANIJA DE CAMBIO COMPL	1		1	1	L 85A-FOR MALAYSIA, KOREA
	688-44120-22	HANDLE GEAR SHIFT ASSY MANIJA DE CAMBIO COMPL	1		1	1	X

D6



6880200-0140

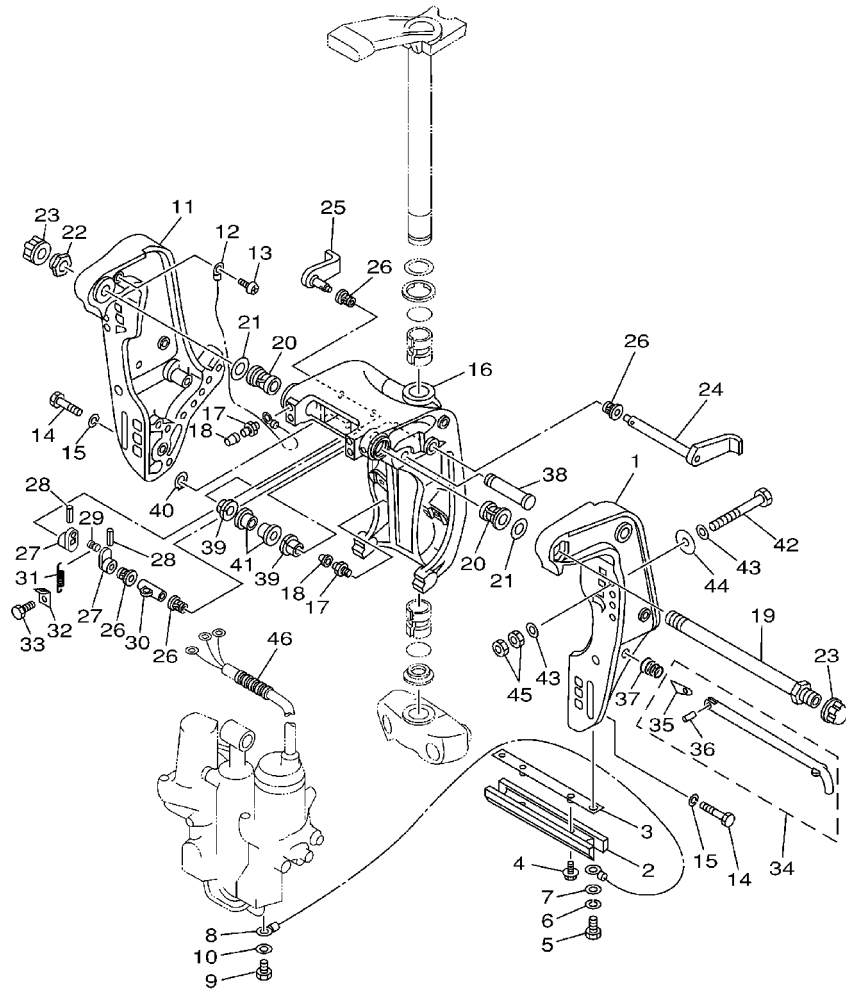
FIG. 14 CONTROL

CONTROL

REF. NO.	PART NO. CODIGO NO.	DESCRIPTION DESCRIPTION	ET	TUNA	ED	EHD	REMARKS OBSERVACION
51	692-44120-32	HANDLE GEAR SHIFT ASSY MANIJA DE CAMBIO COMPL				1	Y
52	696-44147-00	BOOT, SHIFT ROD HULE DE VARILLA	1	1	1	1	EXCEPT 85A-FOR MALAYSIA, KOREA
53	90386-08006	BUSH BUJE	1	1	1	1	
	90386-07M58	BUSH BUJE	1	1	1	1	85A-FOR MALAYSIA, KOREA
54	92990-08200	WASHER, PLAIN ARANDELA PLANA	1	1	1	1	
55	90468-18008	CLIP PRESILLA	1	1	1	1	
56	697-43662-00	GUIDE, REVERSE ROD GUIA DE LA VARILLA DE REVERSE	1	1	1	1	EXCEPT 85A-FOR MALAYSIA, KOREA

FIG. 15 BRACKET 1

SOPORTE 1

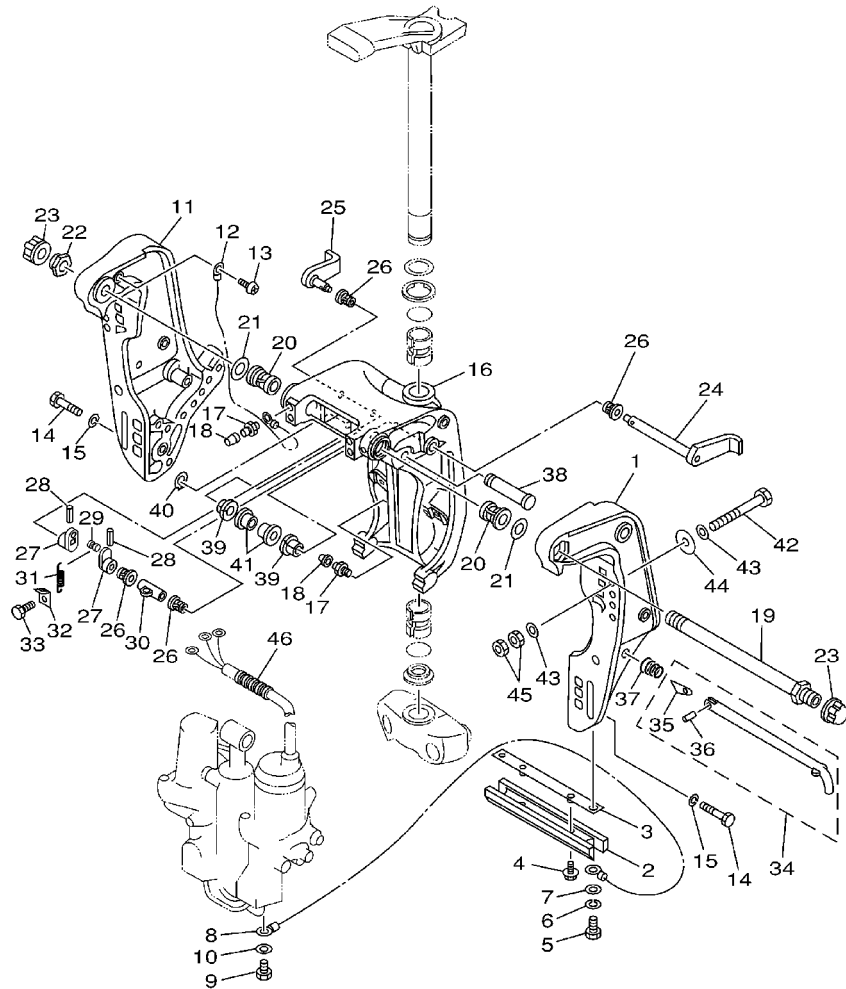


6880010-0121

REF. NO.	PART NO. CODIGO NO.	DESCRIPTION DESCRIPTION	ET	TUNA	ED	EHD	REMARKS OBSERVACION
1	6H1-43111-01-4D	BRACKET, CLAMP SOPORTE DE LA ABRAZADERA	1				
2	6H1-45251-03	ANODE CATODE	1				
3	6H1-44526-00	PLATE PLACA 1	1				
4	90119-06M29	BOLT, WITH WASHER TORNILLO CON ARANDELA	2				
5	97095-06016	BOLT PERNO	2				
6	92995-06100	WASHER, SPRING ARANDELA	2				
7	92995-06600	WASHER ARANDELA	2				
8	6H1-82148-00	WIRE, LEAD 4 CABLE CONDUCTOR 4	1				
9	97095-06010	BOLT PERNO	1				
10	92995-06600	WASHER ARANDELA	1				
11	6H1-43112-00-4D	BRACKET, CLAMP SOPORTE DE LA ABRAZADERA	1				
12	6E5-82148-00	WIRE, LEAD 4 CABLE CONDUCTOR 4	1				
13	97880-06012	SCREW, PAN HEAD TORNILLO DE CABEZA CON PLANA	1				
14	97095-10045	BOLT PERNO	6				
15	92995-10100	WASHER ARANDELA	6				
16	6H1-43311-01-4D	BRACKET, SWIVEL 1 SOPORTE GIRATORIO 1	1				
17	93700-06M03	NIPPLE, GREASE BOQUILLA DE ENGRASAR	3				
18	663-45119-00	CAP, GREASE NIPPLE TAPA DE GRASERA	3				
19	688-43131-03	BOLT, CLAMP BRACKET TORNILLO DE ABRAZADERA DEL SOP	1				
20	90386-22M15	BUSH BUJE	2				
21	90201-22M67	WASHER, PLATE ARANDELA PLANA	2				
22	90185-22043	NUT, SELF-LOCKING TUERCA AUTOBLOCANTE	1				
23	6G5-43145-01	CAP, CLAMP BRACKET TAPA	2				
24	6H1-43181-01	LEVER, TILT STOP PALANCA TOPE INCLINACION	1				
25	6H1-43185-01	LEVER, TILT STOP PALANCA TOPE INCLINACION	1				
26	90386-10M16	BUSH BUJE	4				
27	6G5-43148-00	COLLAR, DISTANCE COLLAR	2				

FIG. 15 BRACKET 1

SOPORTE 1

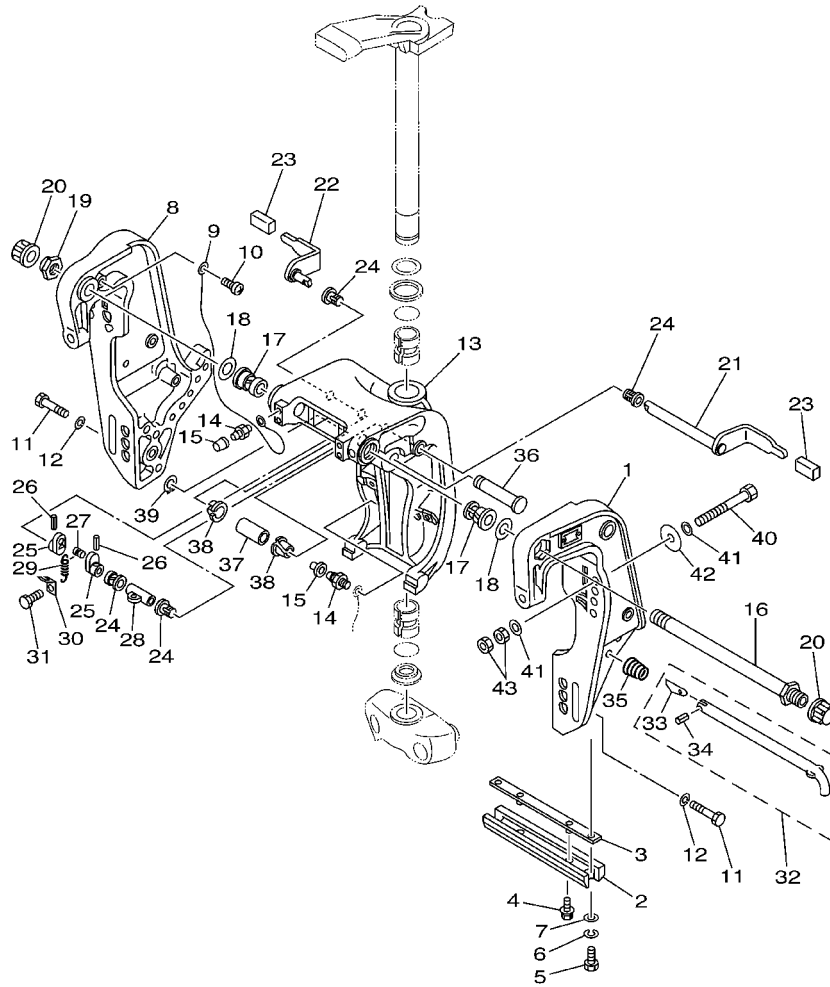


6880010-0121

REF. NO.	PART NO. CODIGO NO.	DESCRIPTION DESCRIPTION	ET	TUNA	ED	EHD	REMARKS OBSERVACION
28	91690-30020	PIN, SPRING PASADOR DE RESORTE	2				
29	90249-06M19	PIN PASADOR	1				
30	90387-10M02	COLLAR COLLAR	1				
31	90506-14M24	SPRING, TENSION RESORTE DE TENSION	1				
32	6G5-43144-00	HOOK, SPRING GANCHO	1				
33	97095-06010	BOLT PERNO	1				
34	688-43160-01	TILT ROD ASSY VARILLA DE BASCULACION COMPL.	1				
35	688-43165-00	.PLATE, TILT LOCK .PLACA DE TOPE, VARILLA SEGUR	1				
36	91690-30012	.PIN, SPRING .PASADOR DE RESORTE	1				
37	90502-16M02	SPRING, CONICAL RESORTE CONICO	1				
38	6E5-43126-02	PIN, UPPER SHOCK MOUNT PASADOR DE AMORTIGUADOR SUPERI	1				
39	90386-18M35	BUSH BUJE	2				
40	93410-18M02	CIRCLIP SEGURO	1				
41	90386-18M63	BUSH BUJE	2				
42	90101-12M65	BOLT TORNILLO	4				
43	92995-12200	WASHER ARANDELA	8				
44	90201-12426	WASHER, PLATE ARANDELA PLANA	4				
45	95380-12600	NUT TUERCA	8				
46	90440-14M00	PIPE TUBO	1				

FIG. 16 BRACKET 2

SOPORTE 2

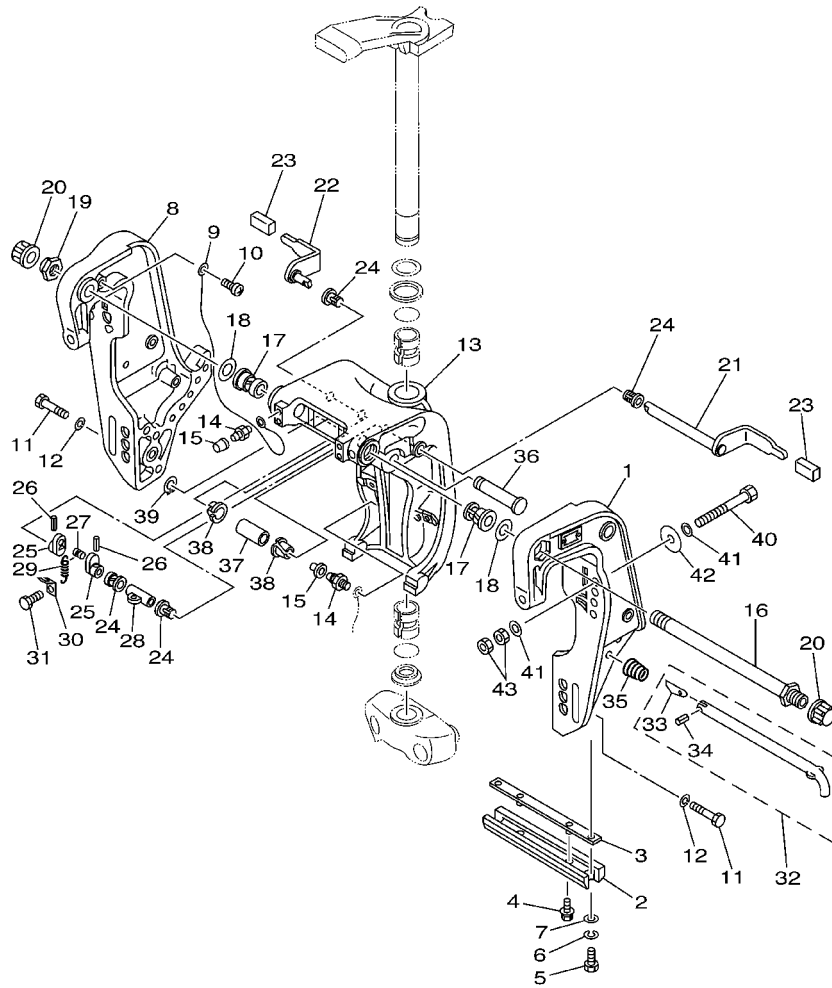


FWD
6882664-3120

REF. NO.	PART NO. CODIGO NO.	DESCRIPTION DESCRIPTION	ET	TUNA	ED	EHD	REMARKS OBSERVACION
1	688-43111-13-4D	BRACKET, CLAMP SOPORTE DE LA ABRAZADERA			1	1	
2	6H1-45251-03	ANODE CATODE			1	1	
3	6H1-44526-00	PLATE PLACA 1			1	1	
4	90119-06M29	BOLT, WITH WASHER TORNILLO CON ARANDELA			2	2	
5	97095-06016	BOLT PERNO			2	2	
6	92995-06100	WASHER, SPRING ARANDELA			2	2	
7	92995-06600	WASHER ARANDELA			2	2	
8	688-43112-12-4D	BRACKET, CLAMP SOPORTE DE LA ABRAZADERA			1	1	
9	6E5-82148-00	WIRE, LEAD 4 CABLE CONDUCTOR 4			1	1	
10	97880-06012	SCREW, PAN HEAD TORNILLO DE CABEZA CON PLANA			1	1	
11	97095-10045	BOLT PERNO			6	6	
12	92995-10100	WASHER ARANDELA			6	6	
13	6H1-43311-01-4D	BRACKET, SWIVEL 1 SOPORTE GIRATORIO 1			1	1	
14	93700-06M03	NIPPLE, GREASE BOQUILLA DE ENGRASAR			3	3	
15	663-45119-00	CAP, GREASE NIPPLE TAPA DE GRASERA			3	3	
16	688-43131-03	BOLT, CLAMP BRACKET TORNILLO DE ABRAZADERA DEL SOP			1	1	
17	90386-22M15	BUSH BUJE			2	2	
18	90201-22M67	WASHER, PLATE ARANDELA PLANA			2	2	
19	90185-22043	NUT, SELF-LOCKING TUERCA AUTOBLOCANTE			1	1	
20	6G5-43145-01	CAP, CLAMP BRACKET TAPA			2	2	
21	688-43181-10	LEVER, TILT STOP PALANCA TOPE INCLINACION			1	1	
22	688-43185-10	LEVER, TILT STOP PALANCA TOPE INCLINACION			1	1	
23	663-43318-00	COVER CUBIERTA			2	2	
24	90386-10M16	BUSH BUJE			4	4	
25	6G5-43148-00	COLLAR, DISTANCE COLLAR			2	2	
26	91690-30020	PIN, SPRING PASADOR DE RESORTE			2	2	
27	90249-06M19	PIN PASADOR			1	1	

FIG. 16 BRACKET 2

SOPORTE 2

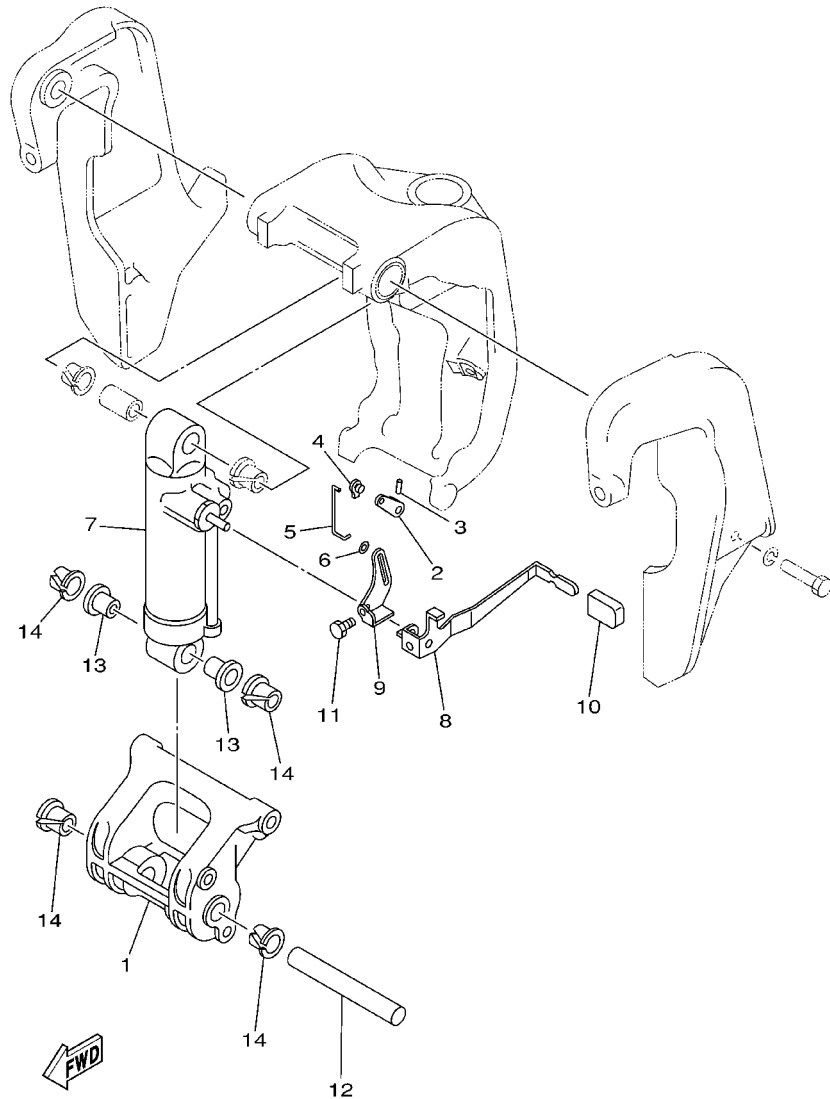


REF. NO.	PART NO. CODIGO NO.	DESCRIPTION DESCRIPTION	ET	TUNA	ED	EHD	REMARKS OBSERVACION
28	90387-10M02	COLLAR COLLAR			1	1	
29	90506-14M24	SPRING, TENSION RESORTE DE TENSION			1	1	
30	6G5-43144-00	HOOK, SPRING GANCHO			1	1	
31	97095-06010	BOLT PERNO			1	1	
32	688-43160-01	TILT ROD ASSY VARILLA DE BASCULACION COMPL.			1	1	
33	688-43165-00	.PLATE, TILT LOCK .PLACA DE TOPE, VARILLA SEGUR			1	1	
34	91690-30012	.PIN, SPRING .PASADOR DE RESORTE			1	1	
35	90502-16M02	SPRING, CONICAL RESORTE CONICO			1	1	
36	6E5-43126-02	PIN, UPPER SHOCK MOUNT PASADOR DE AMORTIGUADOR SUPERI			1	1	
37	90386-18M21	BUSH BUJE			1	1	
38	90386-18M35	BUSH BUJE			2	2	
39	93410-18M02	CIRCLIP SEGURO			1	1	
40	90101-12M65	BOLT TORNILLO			4	4	
41	92995-12200	WASHER ARANDELA			8	8	
42	90201-12426	WASHER, PLATE ARANDELA PLANA			4	4	
43	95380-12600	NUT TUERCA			8	8	

6882664-3120

FIG. 17 BRACKET 3

SOPORTE 3

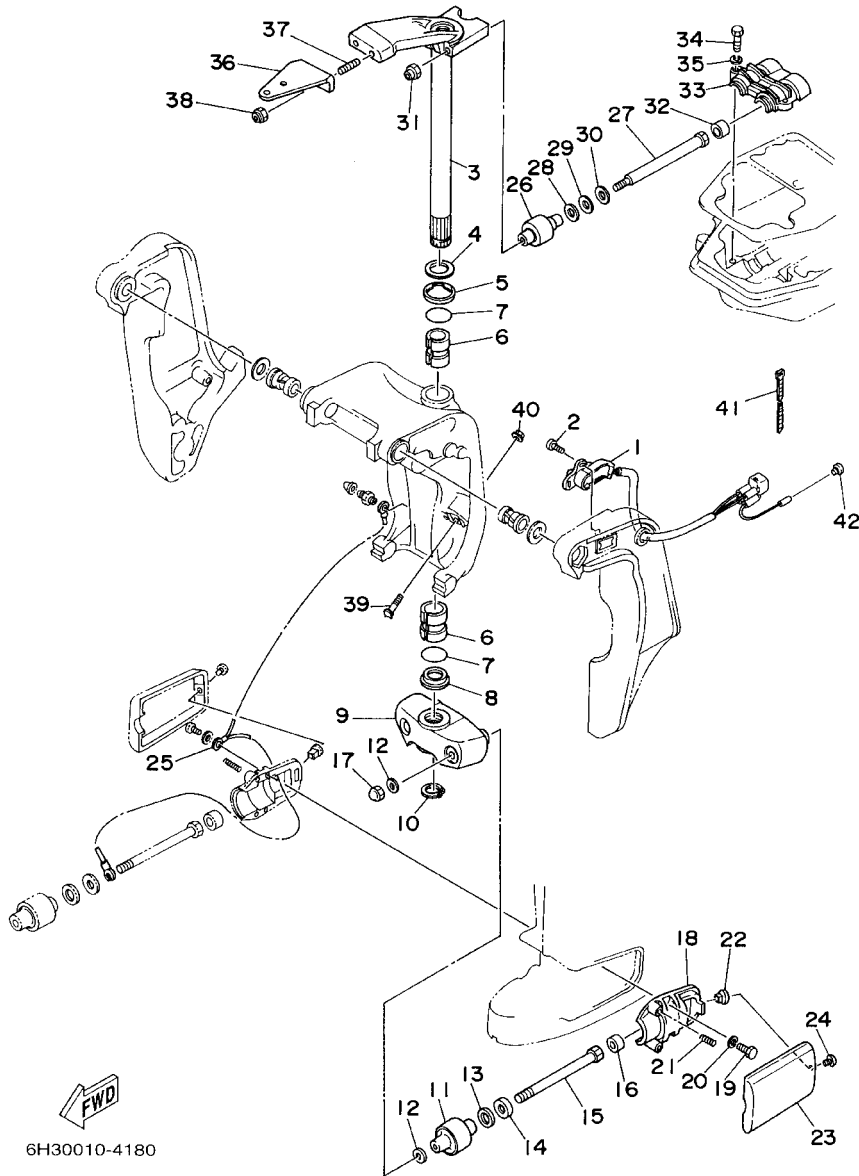


6H10010-0170

REF. NO.	PART NO. CODIGO NO.	DESCRIPTION DESCRIPTION	ET	TUNA	ED	EHD	REMARKS OBSERVACION
1	688-43128-01-4D	SPACER, CLAMP BRACKET ESPACIADOR ABRAZADERA SOPORTE		1	1	1	
2	688-43186-00	LEVER PALANCA			1	1	
3	91690-30020	PIN, SPRING PASADOR DE RESORTE			1	1	
4	6J8-41262-00	JOINT, CHOKE LEVER CONECTOR DE AHOGADOR			1	1	
5	688-43616-00	ROD, TILT LOCK VARILLA SEGURO DE INCLINACION			1	1	
6	90202-03M51	WASHER, PLATE ARANDELA DE PLANA			1	1	
7	688-43170-04-4D	SHOCK ABSORBER ASSY AMORTIGUADOR COMPL.		1	1	1	
8	688-43631-10	LEVER, TILT PALANCA DE INCLINACION		1	1	1	
9	688-43651-00	LEVER, REVERSE LOCK 1 PALANCA SEGURO DE RESERVA			1	1	
10	682-43318-01	COVER CUBIERTA		1	1	1	
11	97080-06010	BOLT PERNO		1	1	1	
12	688-43124-02	PIN, LOWER SHOCK MOUNT PASADOR DE AMORTIGUADOR INFERI		1	1	1	
13	90386-18M63	BUSH BUJE		2	2	2	
14	90386-18M35	BUSH BUJE		4	4	4	

FIG. 18 BRACKET 4

SOPORTE 4

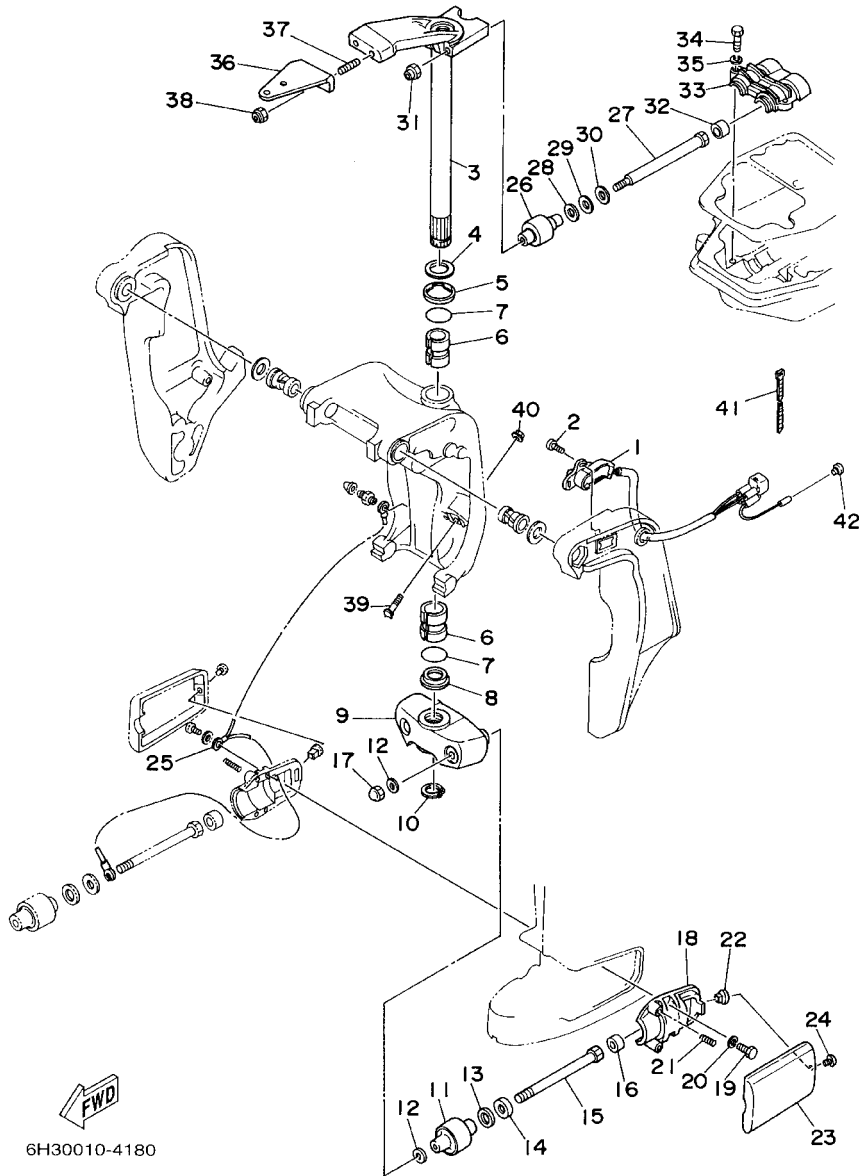


6H30010-4180

REF. NO.	PART NO. CODIGO NO.	DESCRIPTION DESCRIPTION	ET	TUNA	ED	EHD	REMARKS OBSERVACION
1	6H1-83672-12	TRIM SENDER TRANSMISOR DE INCLINADOR	1				
2	97885-06016	SCREW, PAN HEAD TORNILLO A MUESCA	2				
3	688-42510-02-4D	STEERING BRACKET ASSY SOPORTE DIRECCION COMPL.	1	1	1		
4	90201-30M00	WASHER, PLATE ARANDELA PLANA	1	1	1		
5	90386-30M78	BUSH BUJE	1	1	1		
6	90386-30M77	BUSH BUJE	2	2	2		
7	93210-29M94	O-RING JUNTA TORICA	2	2	2		
8	90386-30M60	BUSH BUJE	1	1	1		
9	663-44551-02-4D	HOUSING, LOWER MOUNT RUBBER CAJA AMORTIGUADOR INFERIOR HU	1	1	1		
10	93410-28M06	CIRCLIP SEGURO	1	1	1		
11	687-44555-00-94	MOUNT DAMPER, LOWER SIDE AMORTIGUADOR DE HULE LADO INFE	2	2	2		
12	90201-12M16	WASHER, PLATE ARANDELA PLANA	4	4	4		
13	90202-25M04	WASHER, PLATE ARANDELA DE PLANA	2	2	2		
14	90201-13M19	WASHER, PLATE ARANDELA PLANA	2	2	2		
15	90109-12261	BOLT PERNO	2	2	2		
16	663-44575-00	DAMPER, LOWER MOUNT RUBBER AMORTIGUADOR INFERIOR	2	2	2		
17	95380-12800	NUT, CROWN TUERCA	2	2	2		
18	687-44552-02-94	HOUSING, LOWER MOUNT RUBBER CAJA AMORTIGUADOR INFERIOR HU	2	2	2		
19	97075-08025	BOLT PERNO	4	4	4		
20	92995-08100	WASHER ARANDELA	4	4	4		
21	90501-14M08	SPRING, COMPRESSION RESORTE DE COMPRESION	4	4	4		
22	90179-06066	NUT TUERCA	2	2	2		
23	663-44553-01-4D	COVER, LOWER MOUNT CUBIERTA, AMORTIGUADOR INFERIOR	2	2	2		
24	97885-06016	SCREW, PAN HEAD TORNILLO A MUESCA	2	2	2		
25	688-82127-02	WIRE, LEAD 2 CABLE CONDUCTOR 2	1	1	1		
26	688-44514-00-94	MOUNT DAMPER, UPPER SIDE AMORTIGUADOR LADO SUPERIOR	2	2	2		
27	90101-10M49	BOLT TORNILLO	2	2	2		

FIG. 18 BRACKET 4

SOPORTE 4

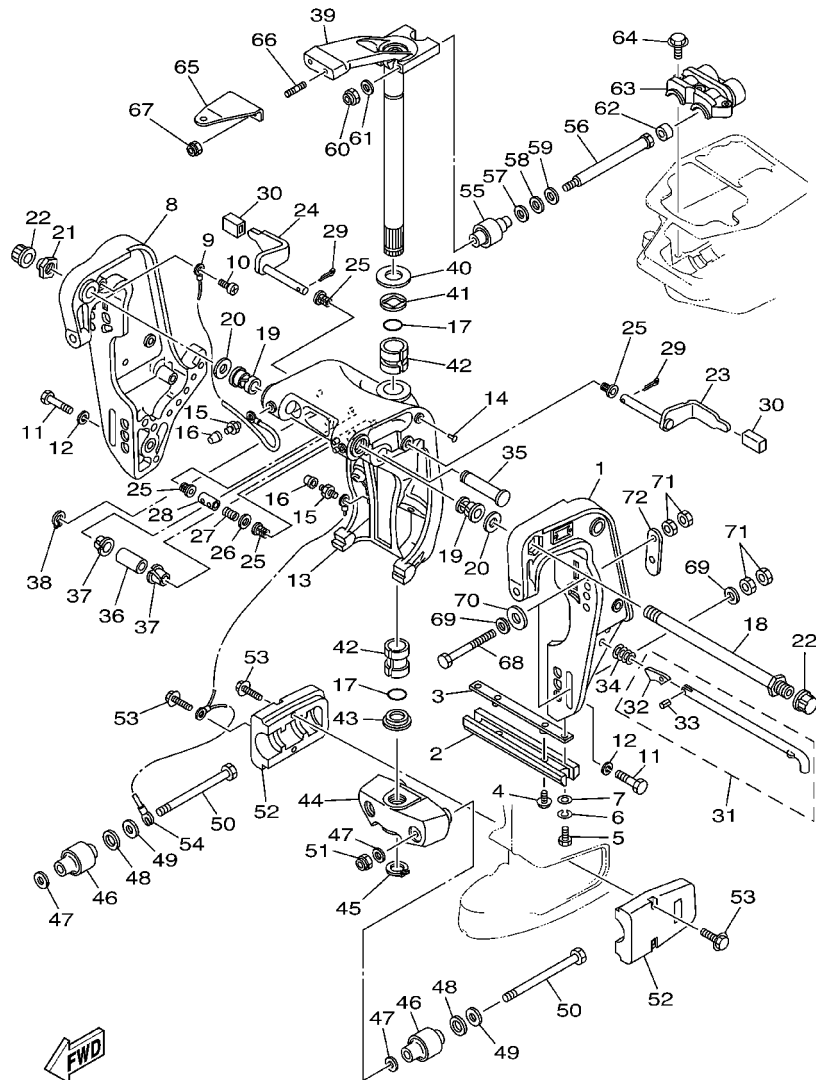


6H30010-4180

REF. NO.	PART NO. CODIGO NO.	DESCRIPTION DESCRIPTION	ET	TUNA	ED	EHD	REMARKS OBSERVACION
28	90201-20M21	WASHER, PLATE ARANDELA PLANA	2		2	2	
29	90202-20M06	WASHER, PLATE ARANDELA DE PLANA	2		2	2	
30	90201-11M22	WASHER, PLATE ARANDELA PLANA	2		2	2	
31	90185-10051	NUT, SELF-LOCKING TUERCA AUTOBLOCANTE	2		2	2	
32	663-44575-00	DAMPER, LOWER MOUNT RUBBER AMORTIGUADOR INFERIOR	2		2	2	
33	688-44511-00-94	COVER, UPPER MOUNT CUBIERTA AMORTIGUADOR SUPERIOR	1		1	1	
34	97075-08035	BOLT PERNO	3		3	3	
35	92995-08100	WASHER ARANDELA	3		3	3	
36	688-48511-11-4D	HOOK, STEERING GANCHO DIRECCION	1		1		STEERING GUIDE TYPE
37	90116-10M28	BOLT, STUD ESPARRAGO	2		2	2	
38	90185-10051	NUT, SELF-LOCKING TUERCA AUTOBLOCANTE	2		2	2	
39	6H1-43376-00	BOLT, THRUST RECEIVER TORNILLO RECEPTOR	2				
40	90185-08057	NUT, SELF-LOCKING TUERCA AUTOBLOCANTE	2				
41	90465-11M10	CLAMP BRIDA	3				
42	703-82119-00	COVER, LEAD WIRE CUBIERTA DE CABLE CONDUCTOR	1				

FIG. 19 BRACKET 5

SOPORTE 5

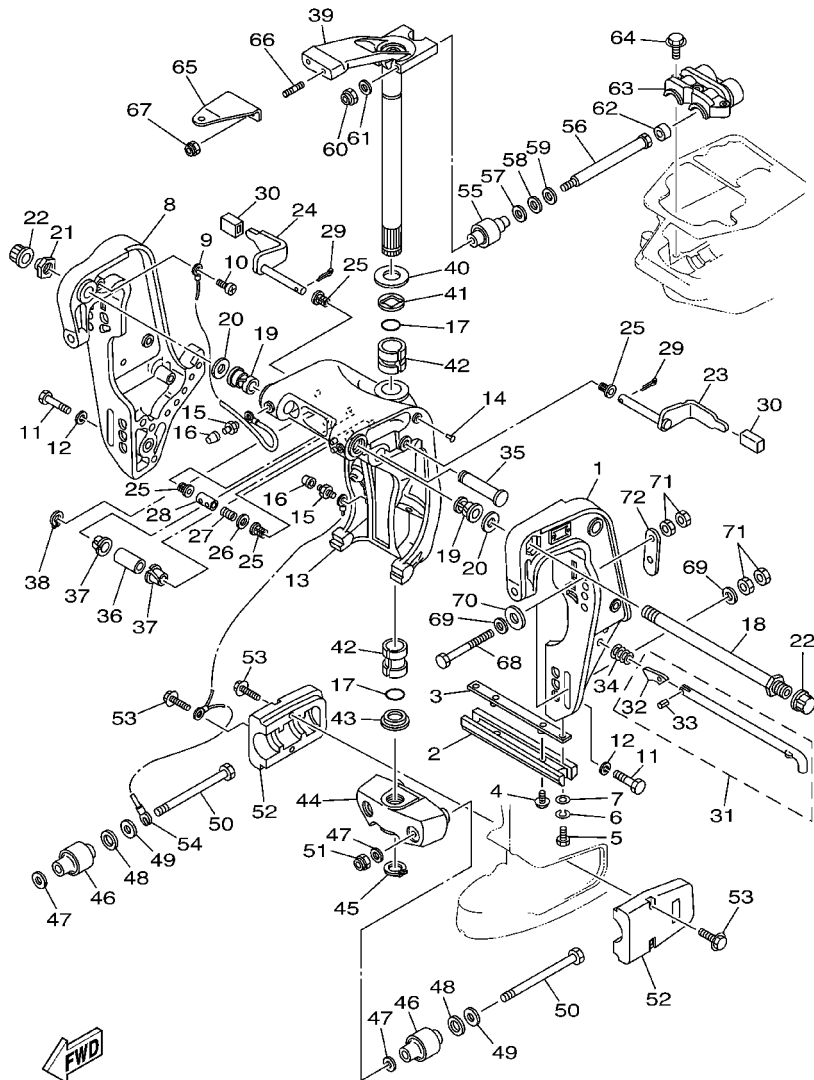


6882200-3190

REF. NO.	PART NO. CODIGO NO.	DESCRIPTION DESCRIPTION	ET	TUNA	ED	EHD	REMARKS OBSERVACION
1	688-43111-61-4D	BRACKET, CLAMP SOPORTE DE LA ABRAZADERA		1			
2	6H1-45251-03	ANODE CATODE		1			
3	6H1-44526-00	PLATE PLACA 1		1			
4	90119-06M29	BOLT, WITH WASHER TORNILLO CON ARANDELA		2			
5	97095-06016	BOLT PERNO		2			
6	92995-06100	WASHER, SPRING ARANDELA		2			
7	92995-06600	WASHER ARANDELA		2			
8	688-43112-60-4D	BRACKET, CLAMP SOPORTE DE LA ABRAZADERA		1			
9	6E5-82148-00	WIRE, LEAD 4 CABLE CONDUCTOR 4		1			
10	97880-06012	SCREW, PAN HEAD TORNILLO DE CABEZA CON PLANA		1			
11	97095-10045	BOLT PERNO		6			
12	92995-10100	WASHER ARANDELA		6			
13	688-43311-14-4D	BRACKET, SWIVEL 1 SOPORTE GIRATORIO 1		1			
14	90269-03010	RIVET REMACHE		1			
15	93700-06M03	NIPPLE, GREASE BOQUILLA DE ENGRASAR		3			
16	663-45119-00	CAP, GREASE NIPPLE TAPA DE GRASERA		3			
17	93210-29M94	O-RING JUNTA TORICA		2			
18	688-43131-03	BOLT, CLAMP BRACKET TORNILLO DE ABRAZADERA DEL SOP		1			
19	90386-22M84	BUSH BUJE		2			
20	90201-22M67	WASHER, PLATE ARANDELA PLANA		2			
21	90185-22043	NUT, SELF-LOCKING TUERCA AUTOBLOCANTE		1			
22	6G5-43145-01	CAP, CLAMP BRACKET TAPA		2			
23	688-43181-04	LEVER, TILT STOP PALANCA TOPE INCLINACION		1			
24	688-43185-04	LEVER, TILT STOP PALANCA TOPE INCLINACION		1			
25	90386-10M16	BUSH BUJE		4			
26	92990-10600	WASHER, PLATE ARANDELA PLANA		1			
27	90501-10M21	SPRING, COMPRESSION RESORTE DE COMPRESION		1			

FIG. 19 BRACKET 5

SOPORTE 5

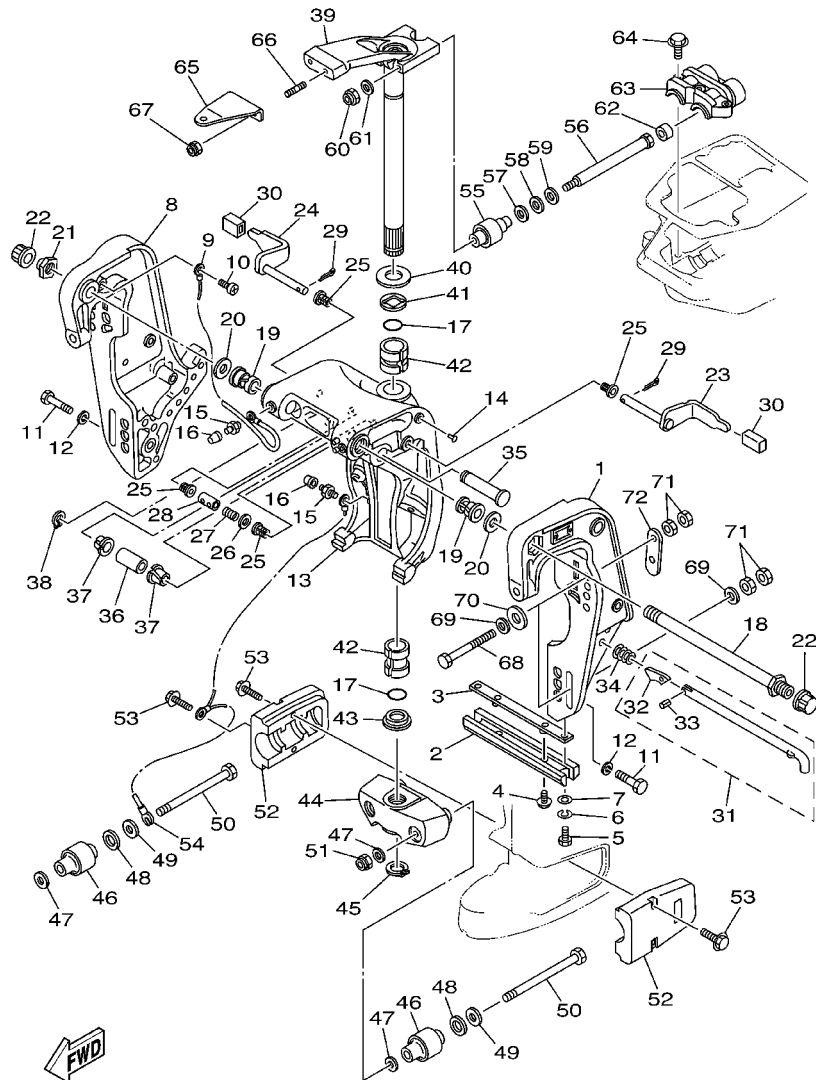


6882200-3190

REF. NO.	PART NO. CODIGO NO.	DESCRIPTION DESCRIPTION	ET	TUNA	ED	EHD	REMARKS OBSERVACION
28	90387-10M38	COLLAR COLLAR		1			
29	91490-30025	PIN, COTTER CHAVETA		2			
30	663-43318-00	COVER CUBIERTA		2			
31	688-43160-60	TILT ROD ASSY VARILLA DE BASCULACION COMPL.		1			
32	688-43165-00	.PLATE, TILT LOCK .PLACA DE TOPE, VARILLA SEGUR.		1			
33	91690-30012	.PIN, SPRING .PASADOR DE RESORTE		1			
34	90502-20M03	SPRING, CONICAL RESORTE CONICO		1			
35	6E5-43126-02	PIN, UPPER SHOCK MOUNT PASADOR DE AMORTIGUADOR SUPERI		1			
36	90386-18M21	BUSH BUJE		1			
37	90386-18M35	BUSH BUJE		2			
38	93410-18M02	CIRCLIP SEGURO		1			
39	688-42510-61-4D	STEERING BRACKET ASSY SOPORTE DIRECCION COMPL.		1			
40	90201-30M00	WASHER, PLATE ARANDELA PLANA		1			
41	90386-30M78	BUSH BUJE		1			
42	90386-30M85	BUSH BUJE		2			
43	90386-30M60	BUSH BUJE		1			
44	688-44551-60-4D	HOUSING, LOWER MOUNT RUBBER CAJA AMORTIGUADOR INFERIOR HU		1			
45	93410-29M09	CIRCLIP SEGURO		1			
46	688-44555-00-94	MOUNT DAMPER, LOWER SIDE AMORTIGUADOR DE HULE LADO INFE		2			
47	90201-12M16	WASHER, PLATE ARANDELA PLANA		4			
48	90202-25M04	WASHER, PLATE ARANDELA DE PLANA		2			
49	90201-13M19	WASHER, PLATE ARANDELA PLANA		2			
50	90109-12M42	BOLT PERNO		2			
51	95780-12300	NUT, FLANGE TUERCA		2			
52	688-44553-60-4D	COVER, LOWER MOUNT CUBIERTA, AMORTIGUADOR INFERIOR		2			
53	97575-08440	BOLT, WITH WASHER PERNO CON ARANDELA RONDELLE		4			
54	688-82127-60	WIRE, LEAD 2 CABLE CONDUCTOR 2		1			

FIG. 19 BRACKET 5

SOPORTE 5

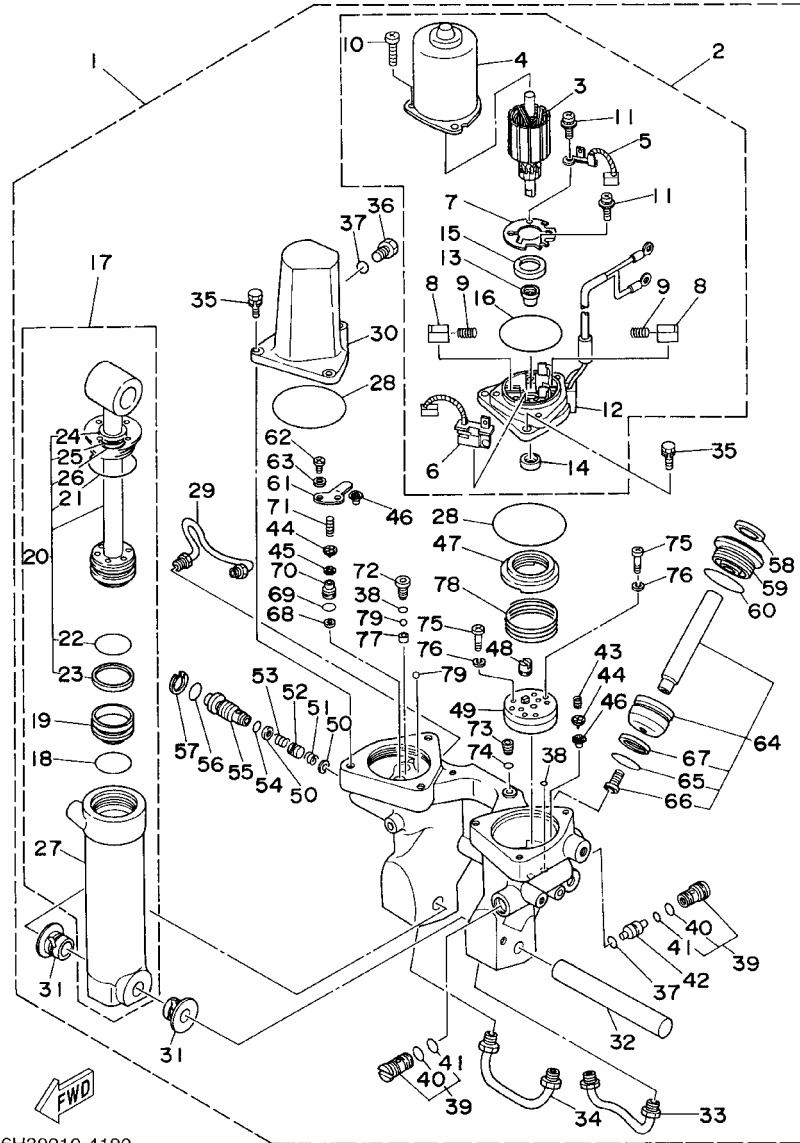


6882200-3190

REF. NO.	PART NO. CODIGO NO.	DESCRIPTION DESCRIPTION	ET	TUNA	ED	EHD	REMARKS OBSERVACION
55	688-44514-60-94	MOUNT DAMPER, UPPER SIDE AMORTIGUADOR LADO SUPERIOR		2			
56	90109-10M43	BOLT PERNO		2			
57	90201-20M21	WASHER, PLATE ARANDELA PLANA		2			
58	90202-20M06	WASHER, PLATE ARANDELA DE PLANA		2			
59	90201-13M03	WASHER, PLATE ARANDELA PLANA		2			
60	90185-10051	NUT, SELF-LOCKING TUERCA AUTOBLOCANTE		2			
61	92990-10600	WASHER, PLATE ARANDELA PLANA		2			
62	663-44575-00	DAMPER, LOWER MOUNT RUBBER AMORTIGUADOR INFERIOR		2			
63	688-44511-60-5B	COVER, UPPER MOUNT CUBIERTA AMORTIGUADOR SUPERIOR		1			
64	97575-08440	BOLT, WITH WASHER PERNO CON ARANDELA RONDELLE		3			
65	688-48511-11-4D	HOOK, STEERING GANCHO DIRECCION		1			STEERING GUIDE TYPE
66	90116-10M28	BOLT, STUD ESPARRAGO		2			
67	90185-10051	NUT, SELF-LOCKING TUERCA AUTOBLOCANTE		2			
68	90101-12M03	BOLT (L:115MM) TORNILLO (L:115MM)		6			
69	90201-13M01	WASHER, PLATE ARANDELA PLANA		8			
70	90201-12426	WASHER, PLATE ARANDELA PLANA		6			
71	95380-12600	NUT TUERCA		12			
72	688-43339-60	WASHER ARANDELA		2			

FIG. 20 POWER TRIM & TILT ASSY

COMPONER Y PODER VARILLA

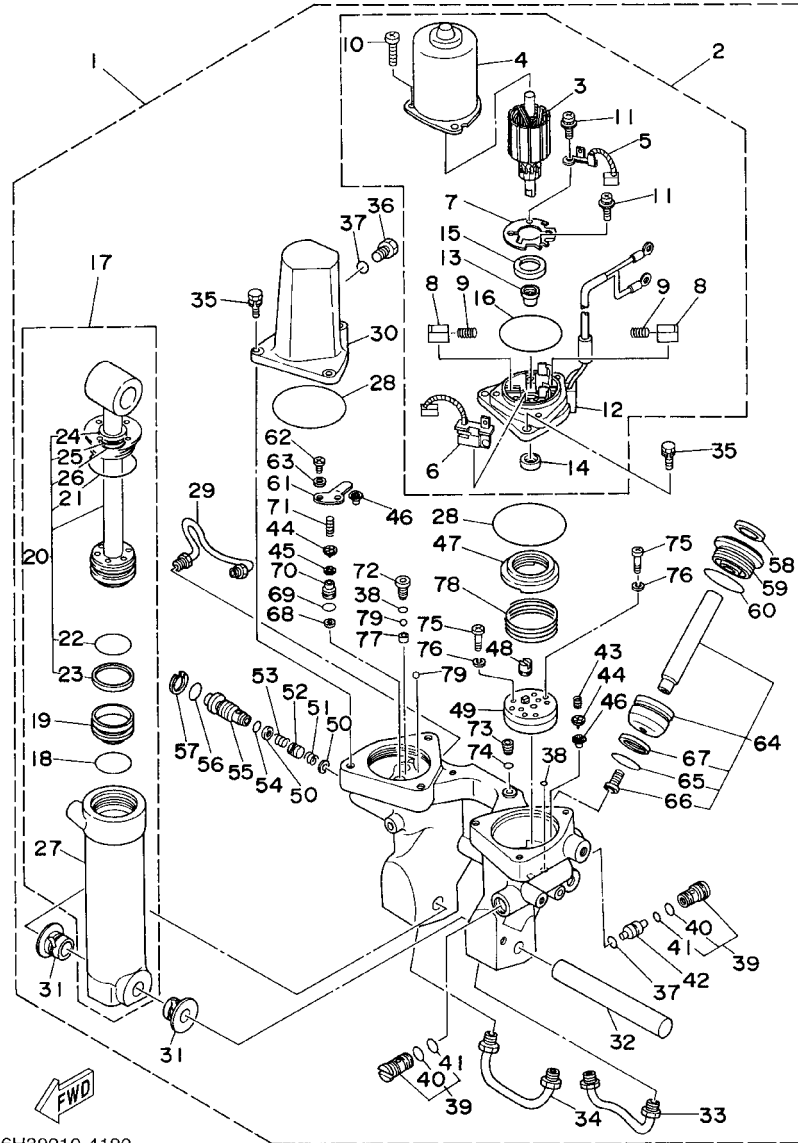


6H30010-4190

REF. NO.	PART NO. CODIGO NO.	DESCRIPTION DESCRIPTION	ET	TUNA	ED	EHD	REMARKS OBSERVACION
1	6H1-43800-17-4D	POWER TRIM & TILT ASSY ELEVADOR HIDRAULICO COMPL	1				
2	6H1-43880-02	..MOTOR ASSY ..MOTOR COMPL.	1				
3	6H1-43805-10	..ARMATURE ASSY ..INDUCIDO COMPL.	1				
4	6H1-43804-10	..STATOR ASSY ..ESTATOR COMPL	1				
5	6H1-43891-10	..BRUSH 1 ..ESCOBILLA 1	1				
6	6H1-43892-10	..BRUSH 2 ..ESCOBILLA 2	1				
7	6H1-4380F-10	..PLATE, BRUSH HOLDER ..PLACA	1				
8	6H1-4380J-10	..HOLDER, BRUSH ..PORTAESCOBILLA	2				
9	6H1-4386K-10	..SPRING, BRUSH ..RESORTE, ESCOBILLA	2				
10	97885-05016	..SCREW, PAN HEAD ..TORNILLO A MUESCA	3				
11	97607-04310	..SCREW, WITH WASHER ..TORNILLO CAB CON PLANA C/ARA	2				
12	6H1-43881-10	..FRAME, END ..CUADRO EXTERMO	1				
13	6H1-4380H-10	..METAL ..METAL	1				
14	93102-08M43	..OIL SEAL ..RETEN DE ACEITE	1				
15	6H1-4380G-10	..PLATE ..PLACA	1				
16	6H1-43865-10	..O-RING ..ANILLO EN O 5	1				
17	6H1-43840-11	..POWER TILT ASSY ..CONJUNTO COMPONER	1				
18	6H1-43861-10	..O-RING ..ANILLO EN O 1	1				
19	6H1-43814-11	..PISTON, FREE ..PISTON LIBRE	1				
20	6H1-43810-11	..TILT PISTON SUB ASSY ..ELEVADOR SUB-PISTON COMPL	1				
21	6H1-43861-00	...O-RING ...ANILLO EN O 1	1				
22	6H1-43861-10	...O-RING ...ANILLO EN O 1	1				
23	6H1-43871-10	...RING, BACK UP ...ANILLO	1				
24	6H1-43812-00	...SEAL, DUST ...SELLO DE POLVO	1				
25	6H1-43872-10	...RING, BACK UP ...ANILLO	1				
26	93210-18397	...O-RING ...JUNTA TORICA	1				
27	6H1-43813-10	..CYLINDER, TILT ..CILINDRO INCLINACION	1				

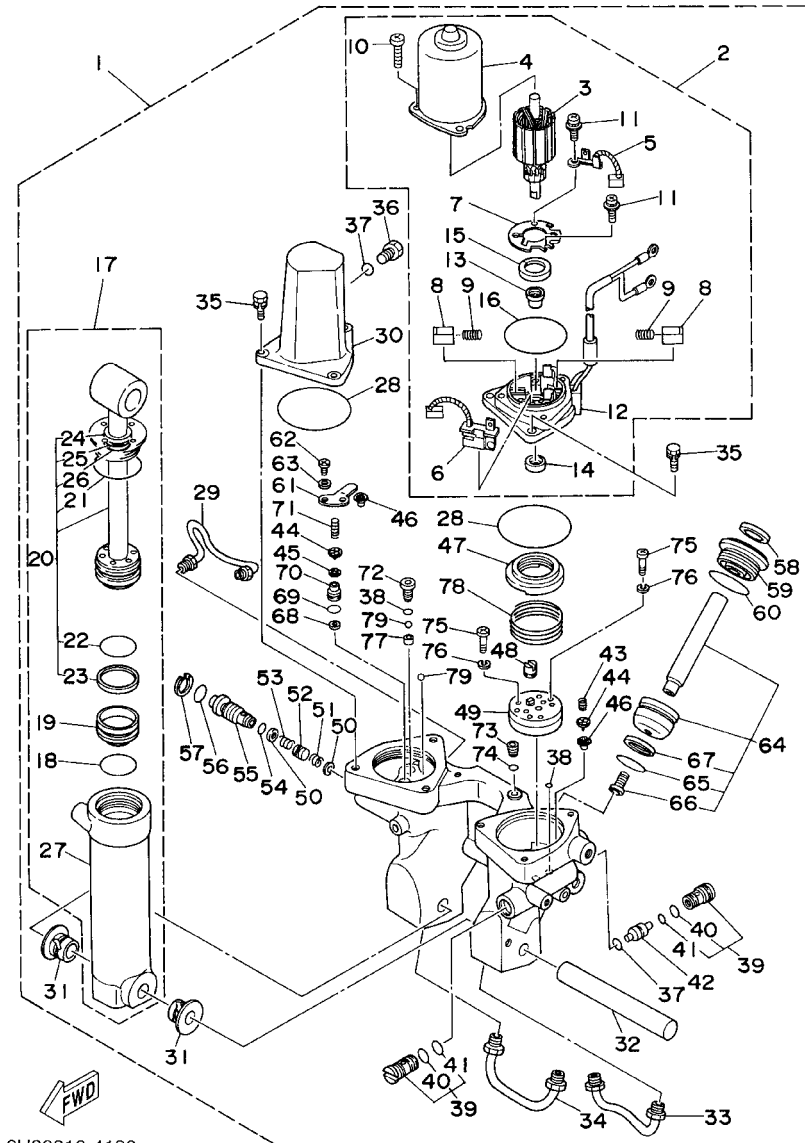
FIG. 20 POWER TRIM & TILT ASSY

COMPONER Y PODER VARILLA



6H30010-4190

REF. NO.	PART NO. CODIGO NO.	DESCRIPTION DESCRIPTION	ET	TUNA	ED	EHD	REMARKS OBSERVACION
28	93210-64488	.O-RING .JUNTA TORICA	2				
29	6H1-43835-10	.PIPE .TUBO 3	1				
30	6H1-43828-10	.BODY, RESERVOIR .CUERPO DEPOSITO	1				
31	90386-18M14	.BUSH .BUJE	2				
32	6E5-43818-00	.PIN, LOWER SHOCK MOUNT .PASADOR AMORTIGUADOR INFERIOR	1				
33	6H1-43833-10	.PIPE .TUBO 1	1				
34	6H1-43834-00	.PIPE .TUBO 2	1				
35	97595-06420	.BOLT, WITH WASHER .PERNO CON ARANDELA RONDELLE	6				
36	6H1-43829-00	.PLUG, RESERVOIR .TAPON DEPOSITO	1				
37	93210-09165	.O-RING .JUNTA TORICA	2				
38	93210-064A5	.O-RING .JUNTA TORICA	1				
39	67F-43802-00	.VALVE SUB ASSY .VALVULA PRINCIPAL COMPL.	2				
40	6H1-43866-00	.O-RING .ANILLO EN O 6	1				
41	6H1-43867-00	.O-RING .ANILLO EN O 7	1				
42	6H1-43841-11	.PISTON, SHUTTLE .PISTON	1				
43	6H1-43856-10	.SPRING, DOWN RELIEF .RESORTE SEGURIDAD	1				
44	6H1-43844-10	.PIN, VALVE SUPPORT .PASADOR VALVULA SOPORTE	2				
45	6H1-4384G-11	.SEAL, RELIEF VALVE .ASIENTO	1				
46	6H1-4384F-10	.SEAL, MAIN VALVE .ASIENTO	2				
47	6H1-43817-01	.FILTER 2 .FILTRO 2	1				
48	6H1-43831-10	.CONNECTOR, SHAFT .CONEXION EJE	1				
49	6H1-43830-11	.GEAR PUMP ASSY .ENGRANAJE BOMBA COMPL.	1				
50	6H1-43847-00	.SEAT, MANUAL VALVE .ASIENTO VALVULA MANUAL	2				
51	6H1-43899-00	.SPRING, MANUAL RELEASE .PLACA	1				
52	6H1-4382A-10	.ADAPTOR 1 .ADAPTADOR 1	1				
53	6H1-43854-00	.SPRING, MANUAL RELEASE .RESORTE DESCOPLIO MANUAL	1				
54	93210-10M74	.O-RING .JUNTA TORICA	1				



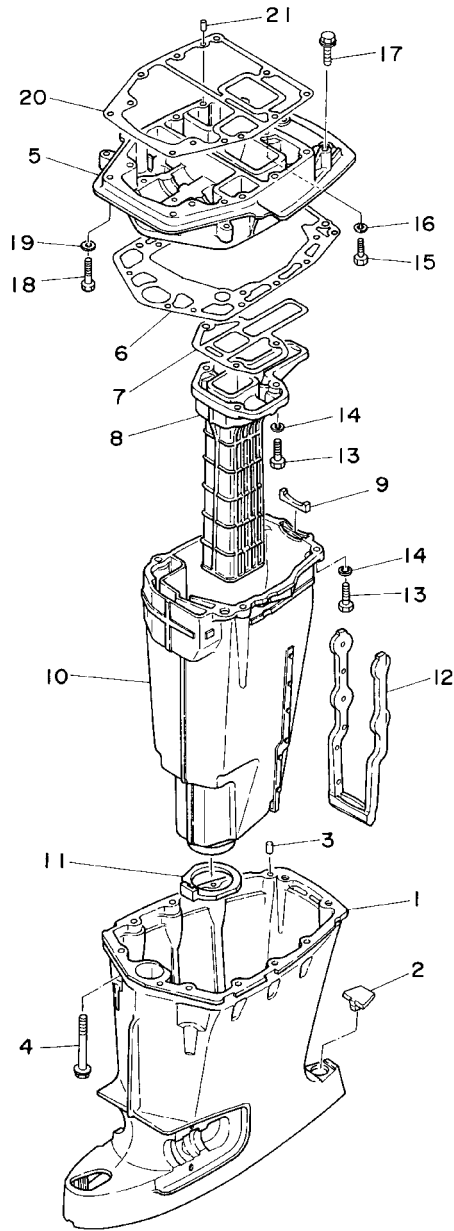
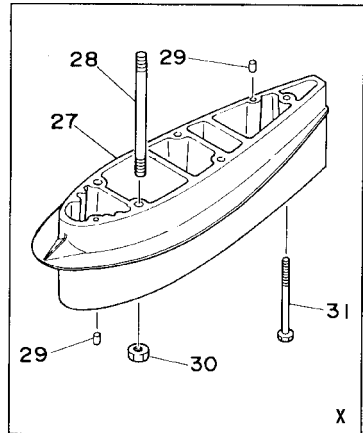
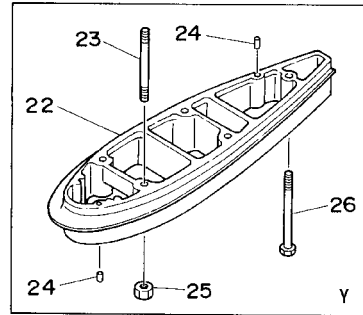
6H30010-4190

FIG. 20 POWER TRIM & TILT ASSY COMPONER Y PODER VARILLA

REF. NO.	PART NO. CODIGO NO.	DESCRIPTION DESCRIPTION	ET	TUNA	ED	EHD	REMARKS OBSERVACION
55	6H1-43845-00	.SCREW, MANUAL RELEASE .TORNILLO DESCOPLO MANUAL	1				
56	93210-18M75	.O-RING .JUNTA TORICA	1				
57	6H1-43875-00	.RING, SNAP .ANILLO	1				
58	6H1-43822-10	.SEAL, TRIM DUST .SELLO DE POLVO	2				
59	6H1-43821-11	.SCREW, TRIM CYLINDER END .TORNILLO CILINDURO EXTREMO	2				
60	6H1-43861-10	.O-RING .ANILLO EN O 1	2				
61	6H1-4384E-20	.SPRING, TRIM .RESORTO	1				
62	98501-05010	.SCREW, PAN HEAD .TORNILLO DE CABEZA CRUZADA	2				
63	92901-05200	.WASHER, PLAIN .ARANDELA PLANA	2				
64	6H1-43820-11	.TRIM PISTON SUB ASSY .ELEVADOR PISTON_COMPL.	2				
65	6H1-43864-00	.O-RING .ANILLO EN O 4	1				
66	91318-08016	.BOLT .TORNILLO	1				
67	6H1-43874-00	.RING, BACK UP .ANILLO	1				
68	6H1-43816-00	.FILTER 1 .FILTRO 1	1				
69	6H1-43896-00	.O-RING .ANILLO EN O	1				
70	6H1-43895-12	.SEAT, RELIEF VALVE .ASIENTO	1				
71	6H1-43855-11	.SPRING, UP RELIEF .RESORTE SEGURIDAD SUPERIOR	1				
72	6H1-43843-11	.SCREW, VALVE LOCK .TORNILLO	1				
73	6H1-4388E-11	.PLUG, TAPER SCREW .TAPON	1				
74	6H1-43868-00	.O-RING .ANILLO EN O 8	1				
75	98501-04025	.SCREW, PAN HEAD .TORNILLO DE CABEZA CRUZADA	4				
76	92901-04100	.WASHER, SPRING .ARANDELA GROWER	4				
77	6H1-4387J-00	.WASHER, SPECIAL 2 .FILTRO2	1				
78	6H1-4385H-00	.SPRING, SEAL .RESORTE	1				
79	93505-32038	.BALL .ESFERA	2				

FIG. 21 UPPER CASING

FUNDA SUPERIOR



REF. NO.	PART NO. CODIGO NO.	DESCRIPTION DESCRIPTION	ET	TUNA	ED	EHD	REMARKS OBSERVACION
1	688-45111-04-4D	CASING, UPPER CAJA SUPERIOR	1	1	1	1	
2	663-45155-10	CAP TAPA	1	1	1	1	
3	93606-12019	PIN, DOWEL PASADOR DE CLAVIJA	2	2	2	2	
4	90119-08M80	BOLT, WITH WASHER TORNILLO CON ARANDELA	8	8	8	8	
5	688-41137-03-94	GUIDE, EXHAUST GUIA DE ESCAPE	1	1	1	1	
6	688-45114-A1	GASKET, UPPER CASING EMPAQUE	1	1	1	1	
7	688-41134-A0	GASKET, EXHAUST MANIFOLD EMPAQUE	1	1	1	1	
8	688-41131-00-5B	MANIFOLD, EXT. 1 TUBO MULTIPLE DE ESCAPE	1	1	1	1	
9	688-41133-00	GASKET, EXHAUST MANIFOLD 1 EMPAQUE ESCAPE MULTIPLE	1	1	1	1	
10	688-14711-01-5B	MUFFLER 1 SILENCIADOR 1	1	1	1	1	
11	688-45123-00	GASKET, MUFFLER EMPAQUE SILENCIADOR	1	1	1	1	
12	663-14737-10	DAMPER, MUFFLER AMORTIGUADOR DE SILENCIADOR	1	1	1	1	
13	97075-08030	BOLT PERNO	7	7	7	7	
14	92995-08100	WASHER ARANDELA	7	7	7	7	
15	97075-08025	BOLT PERNO	1	1	1	1	
16	92995-08100	WASHER ARANDELA	1	1	1	1	
17	90119-08M79	BOLT, WITH WASHER TORNILLO CON ARANDELA	2	2	2	2	
18	97075-08035	BOLT PERNO	2	2	2	2	
19	92995-08100	WASHER ARANDELA	2	2	2	2	
20	688-45113-A0	GASKET, UPPER CASING EMPAQUE	1	1	1	1	
21	93606-12019	PIN, DOWEL PASADOR DE CLAVIJA	2	2	2	2	
22	696-45211-01-4D	EXTENSION EXTENSION				1	Y
23	90116-10M31	BOLT, STUD ESPARRAGO				4	Y
24	93606-12019	PIN, DOWEL PASADOR DE CLAVIJA				4	Y
25	95380-10600	NUT TUERCA				4	Y
26	90119-08M85	BOLT, WITH WASHER TORNILLO CON ARANDELA				1	Y
27	688-45211-01-4D	EXTENSION EXTENSION	1	1	1	1	X

6925200-4160

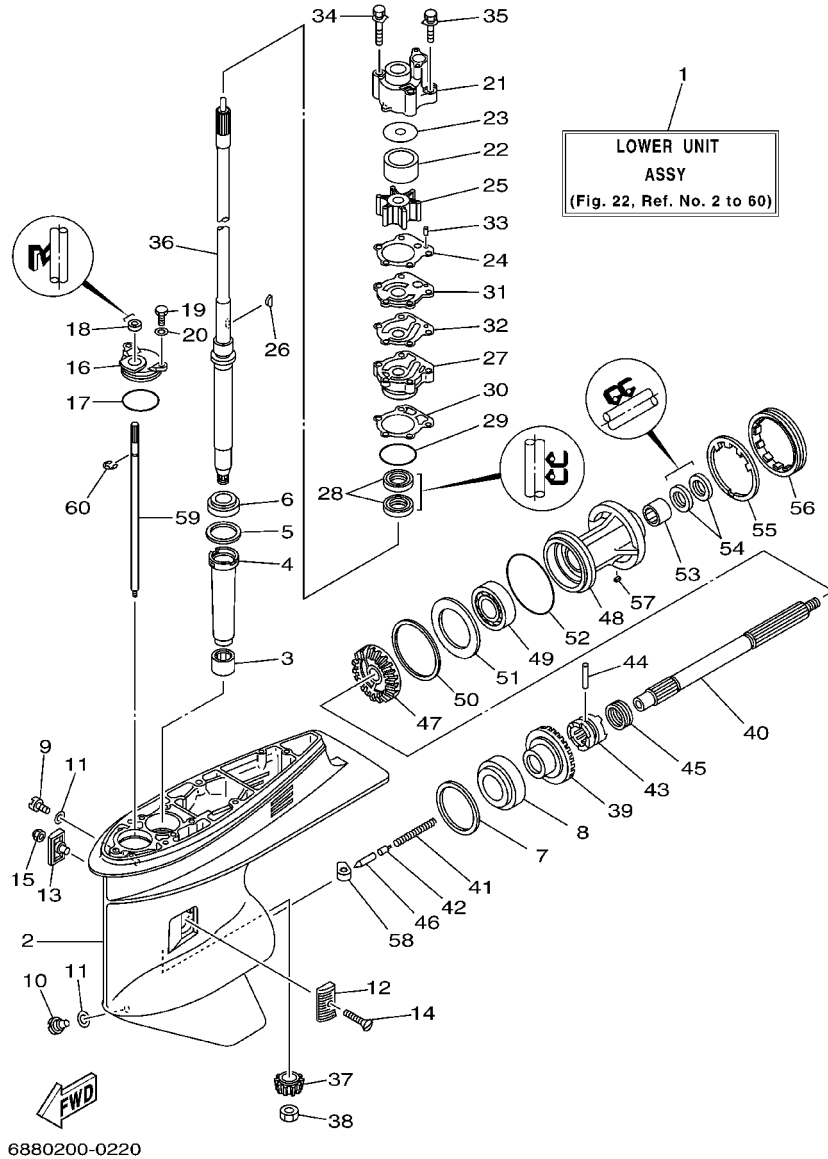


FIG. 22 LOWER CASING. DRIVE 1 IMPULSOR E INFERIOR 1

REF. NO.	PART NO. CODIGO NO.	DESCRIPTION DESCRIPTION	ET	TUNA	ED	EHD	REMARKS OBSERVACION
1	692-45300-14-4D	LOWER UNIT ASSY CONJUNTO UNIDAD INFERIOR	1	1	1	1	L
	692-45300-24-4D	LOWER UNIT ASSY CONJUNTO UNIDAD INFERIOR	1		1	1	X
	692-45300-34-4D	LOWER UNIT ASSY CONJUNTO UNIDAD INFERIOR				1	Y
2	688-45311-06-4D	CASING, LOWER FUNDA INFERIOR	1	1	1	1	
3	93315-325V1	BEARING COJINETE DE RODILLOS	1	1	1	1	
4	688-45536-01	SLEEVE, DRIVE SHAFT CAMISA EJE DE MANDO	1	1	1	1	
5	688-45587-01-10	SHIM (T:0.10MM) LAINA (T:0.10MM)	1	1	1	1	UR
	688-45587-01-12	SHIM (T:0.12MM) LAINA (T:0.12MM)	1	1	1	1	UR
	688-45587-01-15	SHIM (T:0.15MM) LAINA (T:0.15MM)	1	1	1	1	UR
	688-45587-01-18	SHIM (T:0.18MM) LAINA (T:0.18MM)	1	1	1	1	UR
6	688-45587-01-30	SHIM (T:0.30MM) LAINA (T:0.30MM)	1	1	1	1	UR
	688-45587-01-40	SHIM (T:0.40MM) LAINA (T:0.40MM)	1	1	1	1	UR
	688-45587-01-50	SHIM (T:0.50MM) LAINA (T:0.50MM)	1	1	1	1	UR
6	93332-000U3	BEARING COJINETE DE RODILLOS AHUSADO	1	1	1	1	
7	688-45567-01-10	SHIM (T:0.10MM) LAINA (T:0.10MM)	1	1	1	1	UR
	688-45567-01-12	SHIM (T:0.12MM) LAINA (T:0.12MM)	1	1	1	1	UR
	688-45567-01-15	SHIM (T:0.15MM) LAINA (T:0.15MM)	1	1	1	1	UR
	688-45567-01-18	SHIM (T:0.18MM) LAINA (T:0.18MM)	1	1	1	1	UR
	688-45567-01-30	SHIM (T:0.30MM) LAINA (T:0.30MM)	1	1	1	1	UR
	688-45567-01-40	SHIM (T:0.40MM) LAINA (T:0.40MM)	1	1	1	1	UR
	688-45567-01-50	SHIM (T:0.50MM) LAINA (T:0.50MM)	1	1	1	1	UR
8	93332-000W7	BEARING COJINETE DE RODILLOS AHUSADO	1	1	1	1	
9	90340-08002	PLUG, STRAIGHT SCREW TORNILLO, DE DRENAJE	1	1	1	1	
10	688-45341-10	PLUG, DRAIN TAPON, DREN	1	1	1	1	
11	90430-08020	GASKET JUNTA	2	2	2	2	
12	6H1-45214-00	COVER, WATER INLET CUBIERTA ENTRADA AGUA	1	1	1	1	
13	6H1-45215-00	COVER, WATER INLET CUBIERTA ENTRADA AGUA	1	1	1	1	

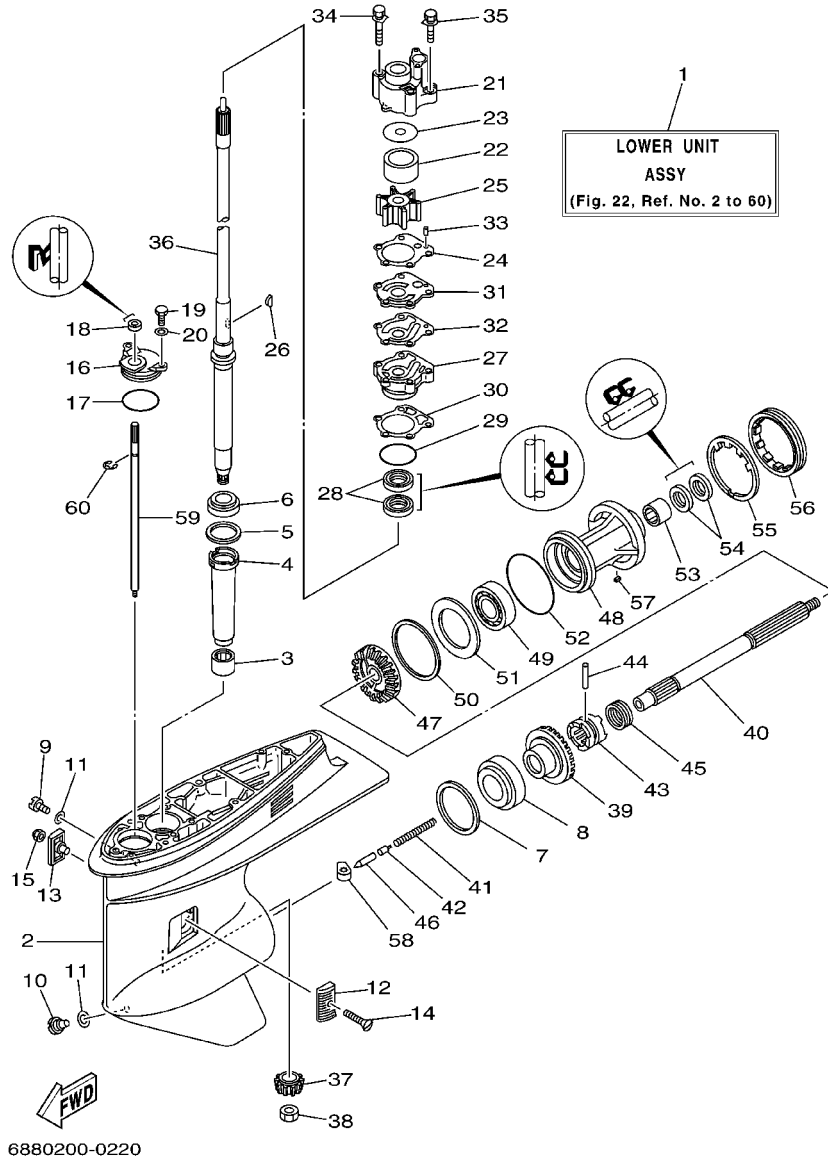


FIG. 22 LOWER CASING. DRIVE 1 IMPULSOR E INFERIOR 1

REF. NO.	PART NO. CODIGO NO.	DESCRIPTION DESCRIPTION	ET	TUNA	ED	EHD	REMARKS OBSERVACION
14	90151-05M00	SCREW, COUNTERSUNK TORNILLO EMBUTIDO	1	1	1	1	
15	90185-05002	NUT, SELF-LOCKING TUERCA AUTOBLOCANTE	1	1	1	1	
16	688-45321-00	PLATE PLACA	1	1	1	1	
17	93210-49046	O-RING JUNTA TORICA	1	1	1	1	
18	93106-09014	OIL SEAL RETEN DE ACEITE	1	1	1	1	
19	97095-06016	BOLT PERNO	2	2	2	2	
20	92995-06600	WASHER ARANDELA	2	2	2	2	
21	688-44311-01	HOUSING, WATER PUMP CAJA BOMBA DE AGUA	1	1	1	1	
22	688-44322-00	INSERT, CARTRIDGE CARTUCHO	1		1		FOR STD
	688-44322-41	INSERT, CARTRIDGE CARTUCHO	1	1	1	1	FOR CHROMATE
23	688-44321-41	INNER PLATE, CARTRIDGE PLACA INTERIOR CARTUCHO	1	1	1	1	FOR CHROMATE
24	688-44315-A0	GASKET, WATER PUMP EMPAQUE	1	1	1	1	
25	688-44352-03	IMPELLER IMPULSOR	1	1	1	1	
26	90280-04M04	KEY, WOODRUFF CUNA WOODRUFF	1	1	1	1	
27	688-44341-01-94	HOUSING, WATER PUMP CAJA BOMBA DE AGUA	1	1	1	1	
28	93101-25M03	OIL SEAL RETEN DE ACEITE	2	2	2	2	
29	93210-46044	O-RING JUNTA TORICA	1	1	1	1	
30	688-44316-A0	GASKET, WATER PUMP EMPAQUE	1	1	1	1	
31	688-44323-00	OUTER PLATE, CARTRIDGE PLACA EXTERIOR DEL CARTUCHO	1		1	1	FOR STD
	688-44323-40	OUTER PLATE, CARTRIDGE PLACA EXTERIOR DEL CARTUCHO	1	1	1	1	FOR CHROMATE
32	688-44324-A0	GASKET, CARTRIDGE EMPAQUE	1	1	1	1	
33	93604-10M03	PIN, DOWEL PASADOR DE CLAVIJA	2	2	2	2	
34	90119-08M16	BOLT, WITH WASHER TORNILLO CON ARANDELA	2	2	2	2	
35	90119-08M13	BOLT, WITH WASHER TORNILLO CON ARANDELA	2	2	2	2	
36	688-45501-11	DRIVE SHAFT COMP. EJE DE MANDO COMPL.	1	1	1	1	L
	688-45501-22	DRIVE SHAFT COMP. EJE DE MANDO COMPL.	1		1	1	X
	692-45501-21	DRIVE SHAFT COMP. EJE DE MANDO COMPL.				1	Y

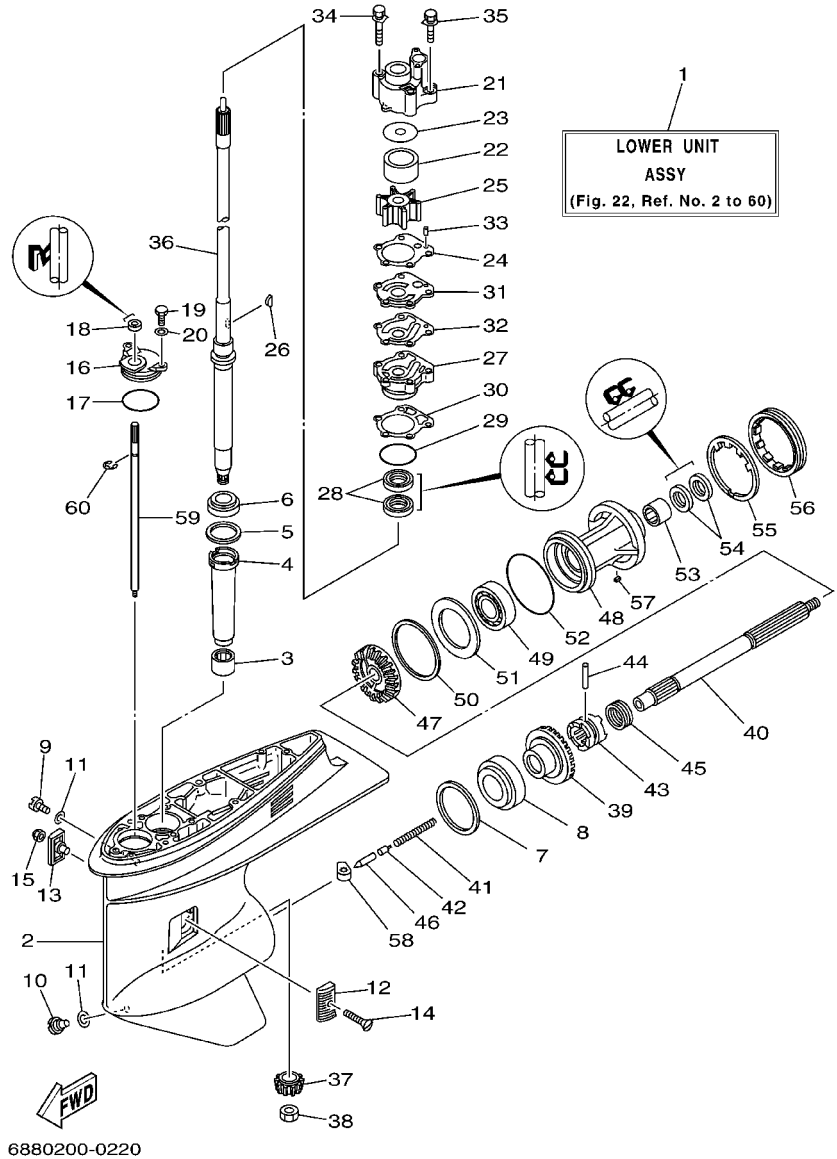
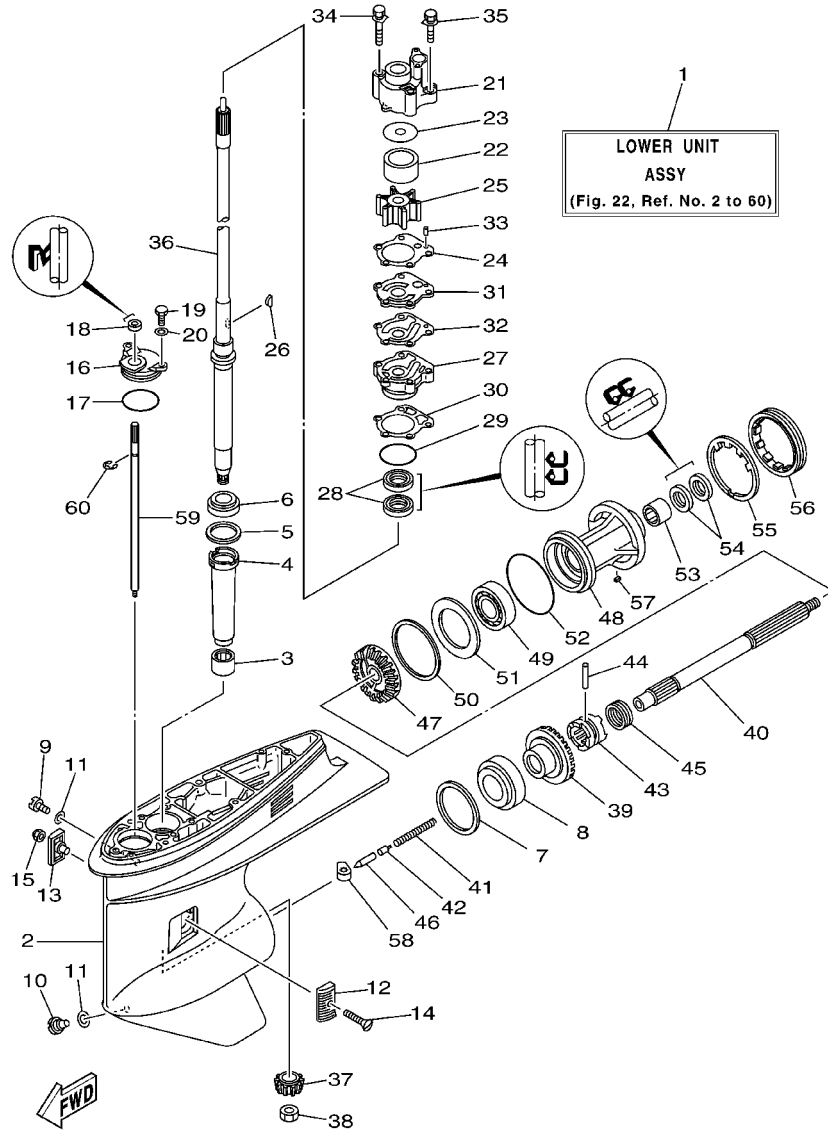


FIG. 22 LOWER CASING. DRIVE 1 IMPULSOR E INFERIOR 1

REF. NO.	PART NO. CODIGO NO.	DESCRIPTION DESCRIPTION	ET	TUNA	ED	EHD	REMARKS OBSERVACION
37	688-45551-01	PINION PINON	1	1	1	1	
38	90170-16M01	NUT TUERCA	1	1	1	1	
39	688-45560-00	GEAR ENGRANE COMPLE 1	1	1	1	1	
40	688-45611-00	SHAFT, PROPELLER EJE PROPUSOR	1	1	1	1	
41	90501-16233	SPRING, COMPRESSION RESORTE DE COMPRESION	1	1	1	1	
42	688-45634-00	SLIDE, SHIFT DESILIZADOR, CAMBIO	1	1	1	1	
43	688-45631-01	CLUTCH, DOG EMBRAGUE DE GARRA	1	1	1	1	
44	90250-07M02	PIN, STRAIGHT PASADOR CILINDRICO	1	1	1	1	
45	688-45633-00	RING, CROSS PIN ANILLO DE PASADOR	1	1	1	1	
46	688-45635-00	PLUNGER, SHIFT EMBOLO DE CAMBIO	1	1	1	1	
47	688-45571-01	GEAR ENGRANAJE	1	1	1	1	
48	688-45331-00-94	HOUSING, BEARING CAJA DE COJINETE	1	1	1	1	
49	93306-207U0	BEARING COJINETE	1	1	1	1	
50	688-45577-01-10	SHIM (T:0.10MM) LAINA (T:0.10MM)	1	1	1	1	UR
	688-45577-01-12	SHIM (T:0.12MM) LAINA (T:0.12MM)	1	1	1	1	UR
	688-45577-01-15	SHIM (T:0.15MM) LAINA (T:0.15MM)	1	1	1	1	UR
	688-45577-01-18	SHIM (T:0.18MM) LAINA (T:0.18MM)	1	1	1	1	UR
	688-45577-01-30	SHIM (T:0.30MM) LAINA (T:0.30MM)	1	1	1	1	UR
	688-45577-01-40	SHIM (T:0.40MM) LAINA (T:0.40MM)	1	1	1	1	UR
	688-45577-01-50	SHIM (T:0.50MM) LAINA (T:0.50MM)	1	1	1	1	UR
51	688-45576-00	WASHER, THRUST ARANDELA DE EMPUJE AXIAL	1	1	1	1	
52	93210-85M97	O-RING JUNTA TORICA	1	1	1	1	
53	93317-325U0	BEARING COJINETE DE RODILLOS	1	1	1	1	
54	93101-25M03	OIL SEAL RETEN DE ACEITE	2	2	2	2	
55	688-45383-02	WASHER, CLAW ARANDELA DE UNA	1	1	1	1	
56	688-45384-00	NUT TUERCA	1	1	1	1	
57	90282-04010	KEY, STRAIGHT CHAVETA, RECTA	1	1	1	1	

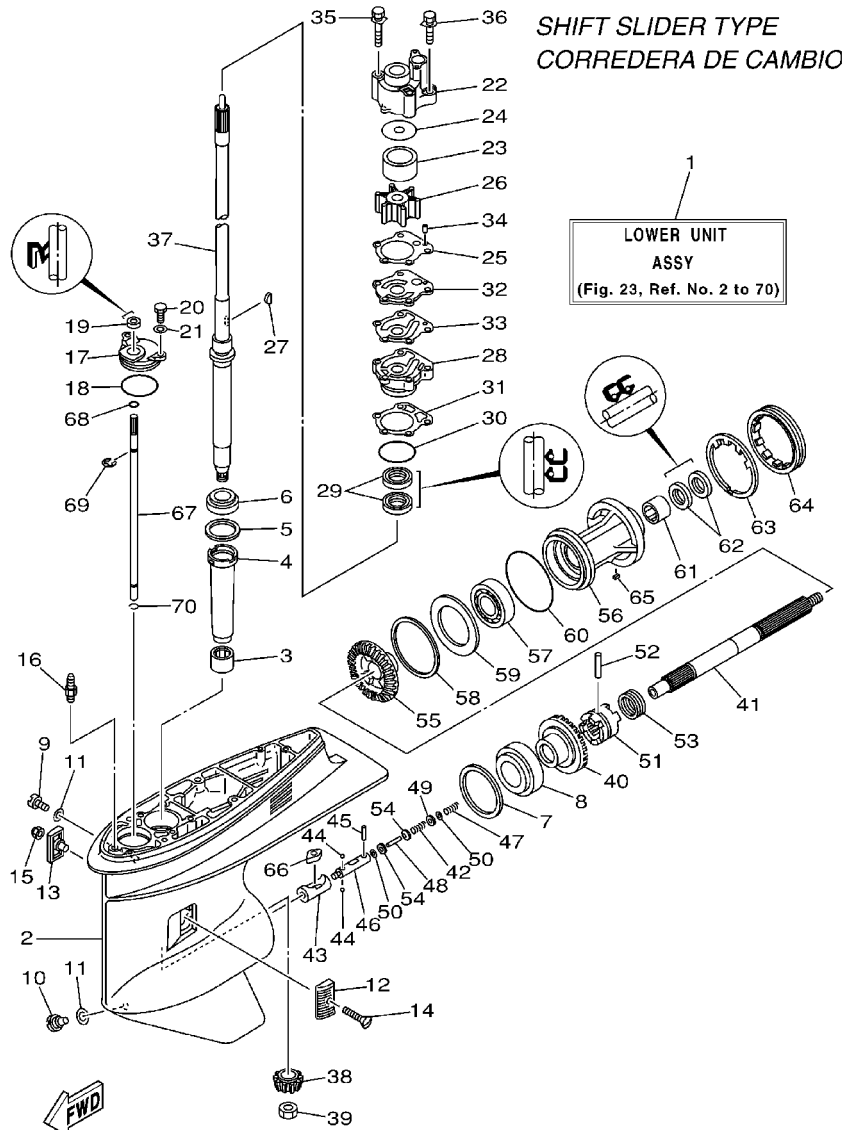
FIG. 22 LOWER CASING. DRIVE 1

IMPULSOR E INFERIOR 1



6880200-0220

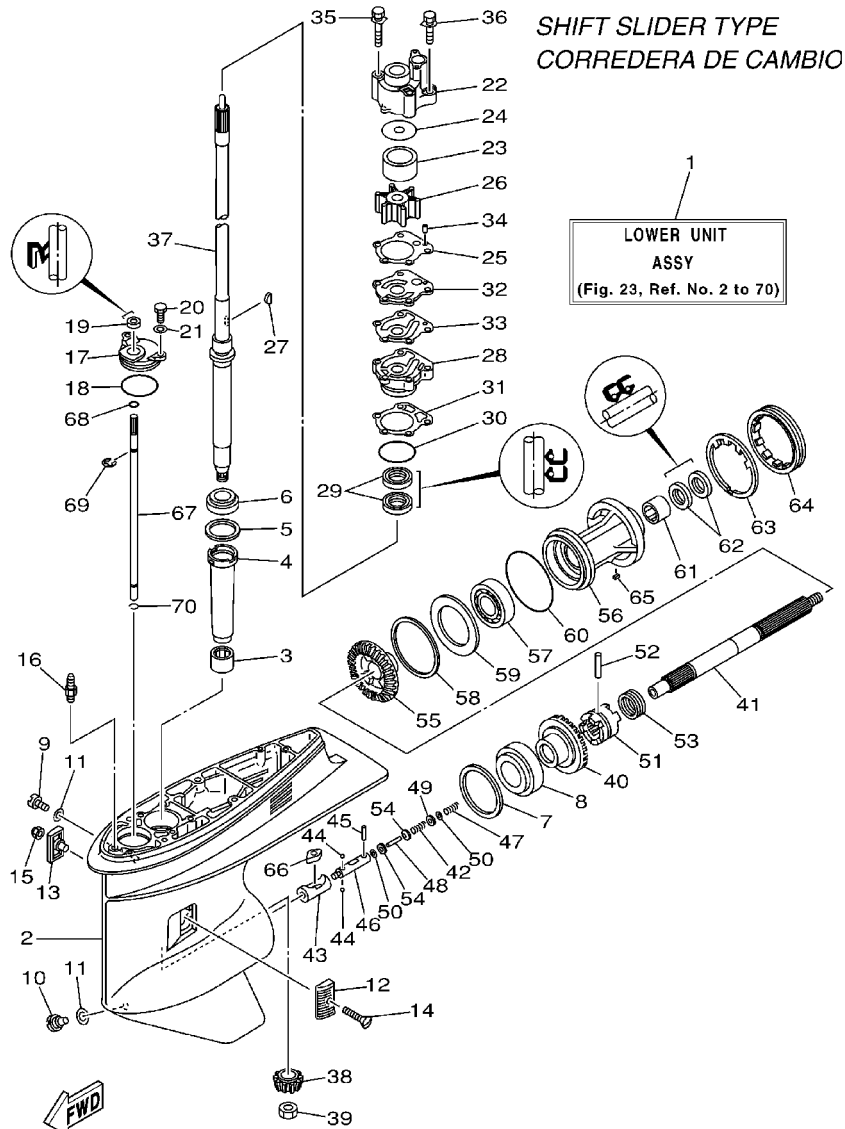
REF. NO.	PART NO. CODIGO NO.	DESCRIPTION DESCRIPTION	ET	TUNA	ED	EHD	REMARKS OBSERVACION
58	663-44151-00	CAM, SHIFT LEVA DE CAMBIO	1	1	1	1	
59	663-44144-01	ROD, SHIFT VARILLA DE CAMBIO	1	1	1	1	
60	99001-08600	CIRCLIP PRESILLA REDONDA	1	1	1	1	



6880200-1230

FIG. 23 LOWER CASING. DRIVE 2 IMPULSOR E INFERIOR 2

REF. NO.	PART NO. CODIGO NO.	DESCRIPTION DESCRIPTION	ET	TUNA	ED	EHD	REMARKS OBSERVACION
1	692-45300-40-4D	LOWER UNIT ASSY CONJUNTO UNIDAD INFERIOR	1		1	1	L 85A-FOR MALASIA, KOREA
2	6H1-45301-03-4D	CASING, LOWER FUNDA INFERIOR COMPLETA	1		1	1	
3	93315-325V1	BEARING COJINETE DE RODILLOS	1		1	1	
4	688-45536-01	SLEEVE, DRIVE SHAFT CAMISA EJE DE MANDO	1		1	1	
5	688-45587-01-10	SHIM (T:0.10MM) LAINA (T:0.10MM)	1		1	1	UR
	688-45587-01-12	SHIM (T:0.12MM) LAINA (T:0.12MM)	1		1	1	UR
	688-45587-01-15	SHIM (T:0.15MM) LAINA (T:0.15MM)	1		1	1	UR
	688-45587-01-18	SHIM (T:0.18MM) LAINA (T:0.18MM)	1		1	1	UR
	688-45587-01-30	SHIM (T:0.30MM) LAINA (T:0.30MM)	1		1	1	UR
	688-45587-01-40	SHIM (T:0.40MM) LAINA (T:0.40MM)	1		1	1	UR
	688-45587-01-50	SHIM (T:0.50MM) LAINA (T:0.50MM)	1		1	1	UR
6	93332-000U3	BEARING COJINETE DE RODILLOS AHUSADO	1		1	1	
7	688-45567-01-10	SHIM (T:0.10MM) LAINA (T:0.10MM)	1		1	1	UR
	688-45567-01-12	SHIM (T:0.12MM) LAINA (T:0.12MM)	1		1	1	UR
	688-45567-01-15	SHIM (T:0.15MM) LAINA (T:0.15MM)	1		1	1	UR
	688-45567-01-18	SHIM (T:0.18MM) LAINA (T:0.18MM)	1		1	1	UR
	688-45567-01-30	SHIM (T:0.30MM) LAINA (T:0.30MM)	1		1	1	UR
	688-45567-01-40	SHIM (T:0.40MM) LAINA (T:0.40MM)	1		1	1	UR
	688-45567-01-50	SHIM (T:0.50MM) LAINA (T:0.50MM)	1		1	1	UR
8	93332-000W7	BEARING COJINETE DE RODILLOS AHUSADO	1		1	1	
9	90340-08002	PLUG, STRAIGHT SCREW TORNILLO, DE DRENAJE	1		1	1	
10	688-45341-10	PLUG, DRAIN TAPON, DREN	1		1	1	
11	90430-08020	GASKET JUNTA	2		2	2	
12	6H1-45214-00	COVER, WATER INLET CUBIERTA ENTRADA AGUA	1		1	1	
13	6H1-45215-00	COVER, WATER INLET CUBIERTA ENTRADA AGUA	1		1	1	
14	90151-05M00	SCREW, COUNTERSUNK TORNILLO EMBUTIDO	1		1	1	
15	90185-05002	NUT, SELF-LOCKING TUERCA AUTOBLOCANTE	1		1	1	

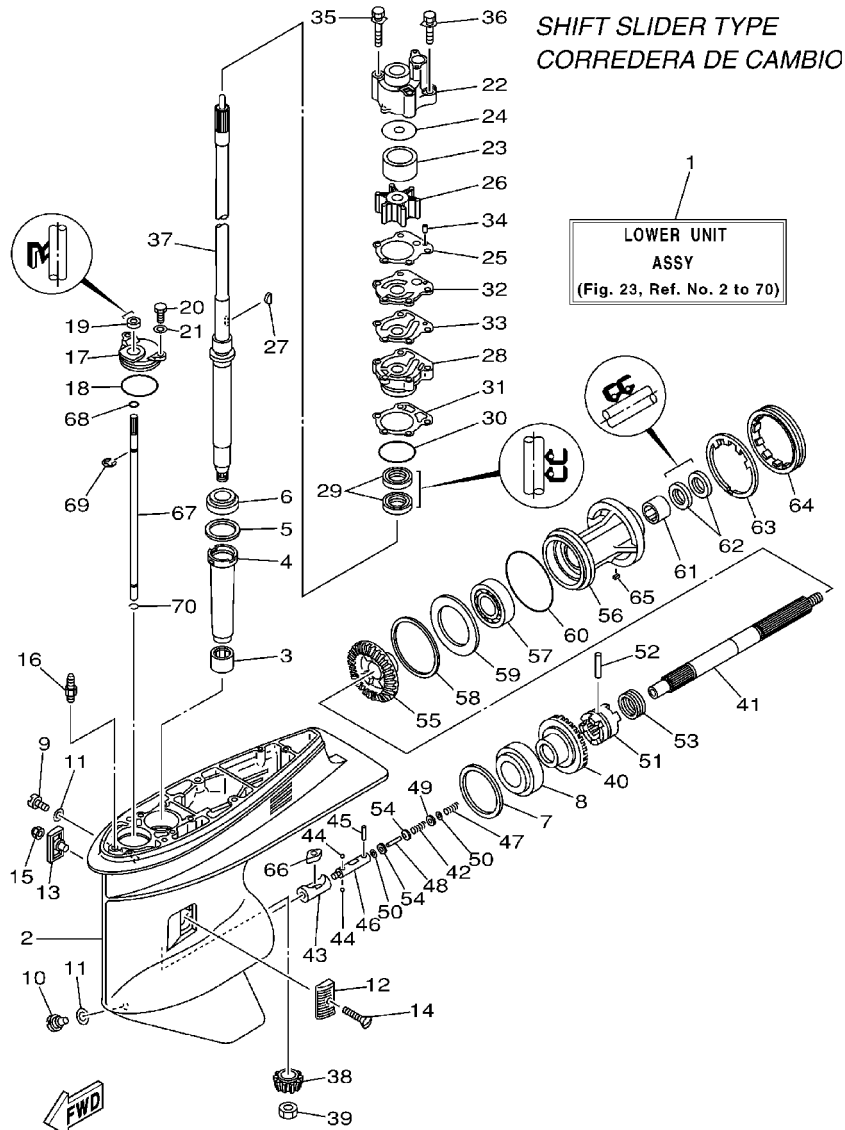


6880200-1230

FIG. 23 LOWER CASING. DRIVE 2 IMPULSOR E INFERIOR 2

REF. NO.	PART NO. CODIGO NO.	DESCRIPTION DESCRIPTION	ET	TUNA	ED	EHD	REMARKS OBSERVACION
16	6J8-45378-00	NIPPLE, HOSE NIPLE MANGUERA	1		1	1	
17	688-45321-00	PLATE PLACA	1		1	1	
18	93210-49046	O-RING JUNTA TORICA	1		1	1	
19	93106-09014	OIL SEAL RETEN DE ACEITE	1		1	1	
20	97095-06016	BOLT PERNO	2		2	2	
21	92995-06600	WASHER ARANDELA	2		2	2	
22	688-44311-01	HOUSING, WATER PUMP CAJA BOMBA DE AGUA	1		1	1	
23	688-44322-41	INSERT, CARTRIDGE CARTUCHO	1		1	1	FOR CHROMATE
24	688-44321-41	INNER PLATE, CARTRIDGE PLACA INTERIOR CARTUCHO	1		1	1	FOR CHROMATE
25	688-44315-A0	GASKET, WATER PUMP EMPAQUE	1		1	1	
26	688-44352-03	IMPELLER IMPULSOR	1		1	1	
27	90280-04M04	KEY, WOODRUFF CUNA WOODRUFF	1		1	1	
28	688-44341-01-94	HOUSING, WATER PUMP CAJA BOMBA DE AGUA	1		1	1	
29	93101-25M03	OIL SEAL RETEN DE ACEITE	2		2	2	
30	93210-46044	O-RING JUNTA TORICA	1		1	1	
31	688-44316-A0	GASKET, WATER PUMP EMPAQUE	1		1	1	
32	688-44323-40	OUTER PLATE, CARTRIDGE PLACA EXTERIOR DEL CARTUCHO	1		1	1	FOR CHROMATE
33	688-44324-A0	GASKET, CARTRIDGE EMPAQUE	1		1	1	
34	93604-10M03	PIN, DOWEL PASADOR DE CLAVIJA	2		2	2	
35	90119-08M16	BOLT, WITH WASHER TORNILLO CON ARANDELA	2		2	2	
36	90119-08M13	BOLT, WITH WASHER TORNILLO CON ARANDELA	2		2	2	
37	688-45501-11	DRIVE SHAFT COMP. EJE DE MANDO COMPL.	1		1	1	L
38	688-45551-01	PINION PINON	1		1	1	
39	90170-16M01	NUT TUERCA	1		1	1	
40	688-45560-00	GEAR ENGRANE COMPLE 1	1		1	1	
41	6H1-45611-01	SHAFT, PROPELLER EJE PROPUSOR	1		1	1	
42	90501-12M48	SPRING, COMPRESSION RESORTE DE COMPRESION	1		1	1	

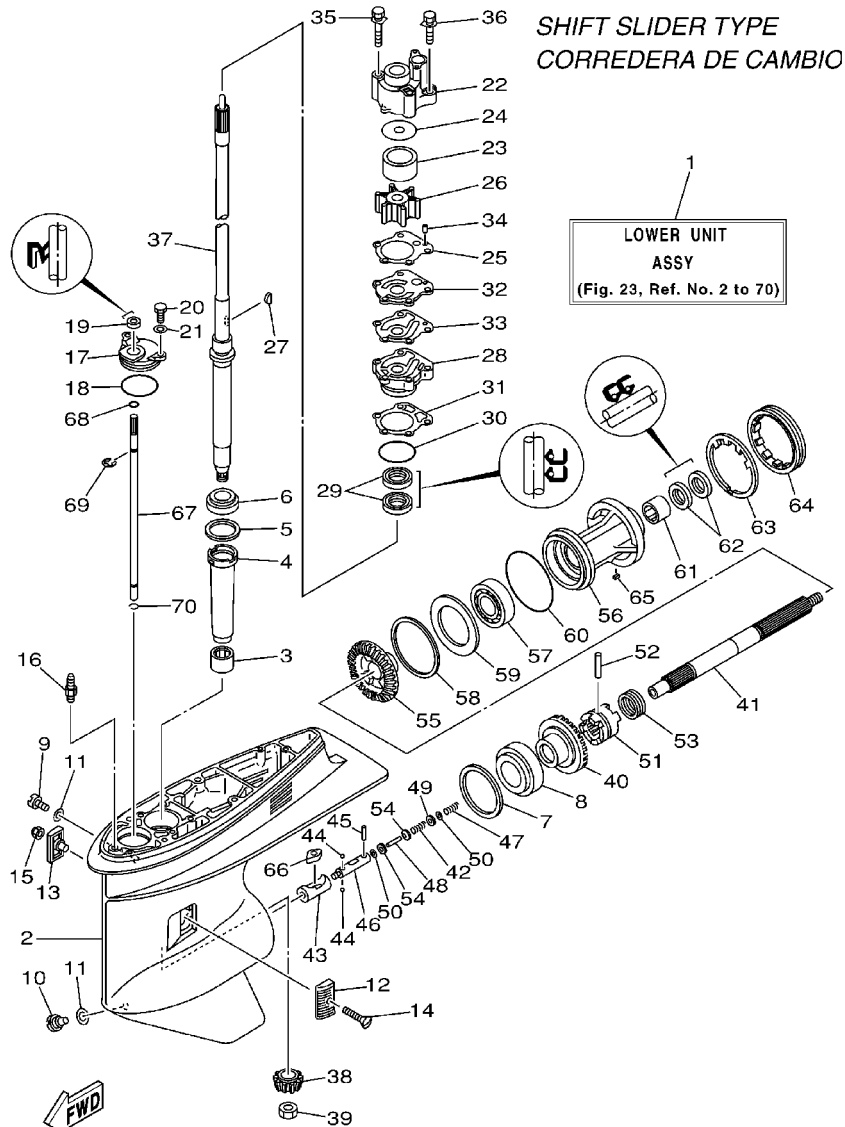
B3



6880200-1230

FIG. 23 LOWER CASING. DRIVE 2 IMPULSOR E INFERIOR 2

REF. NO.	PART NO. CODIGO NO.	DESCRIPTION DESCRIPTION	ET	TUNA	ED	EHD	REMARKS OBSERVACION
43	6H1-45641-01	SHIFTER CAMBIO	1		1	1	
44	93503-16003	BALL ESFERA	2		2	2	
45	93603-12M11	PIN, DOWEL PASADOR DE CLAVIJA	1		1	1	
46	6H1-45634-02	SLIDE, SHIFT DESLIZADOR, CAMBIO	1		1	1	
47	90501-16M65	SPRING, COMPRESSION RESORTE DE COMPRESION	1		1	1	
48	6H1-45668-00	SHAFT, FREE EJE	1		1	1	
49	90201-03313	WASHER, PLATE ARANDELA PLANA	1		1	1	
50	90183-02M03	NUT, SPRING TUERCA DE RESORTE	2		2	2	
51	6H1-45631-01	CLUTCH, DOG EMBRAGUE DE GARRA	1		1	1	
52	90250-07M02	PIN, STRAIGHT PASADOR CILINDRICO	1		1	1	
53	688-45633-00	RING, CROSS PIN ANILLO DE PASADOR	1		1	1	
54	6H1-45635-00	PLUNGER, SHIFT EMBOLO DE CAMBIO	2		2	2	
55	6H1-45571-00	GEAR ENGRANAJE	1		1	1	
56	688-45331-00-94	HOUSING, BEARING CAJA DE COJINETE	1		1	1	
57	93306-207U0	BEARING COJINETE	1		1	1	
58	688-45577-01-10	SHIM (T:0.10MM) LAINA (T:0.10MM)	1		1	1	UR
	688-45577-01-12	SHIM (T:0.12MM) LAINA (:0.12MM)	1		1	1	UR
	688-45577-01-15	SHIM (T:0.15MM) LAINA (T:0.15MM)	1		1	1	UR
	688-45577-01-18	SHIM (T:0.18MM) LAINA (T:0.18MM)	1		1	1	UR
	688-45577-01-30	SHIM (T:0.30MM) LAINA (T:0.30MM)	1		1	1	UR
	688-45577-01-40	SHIM (T:0.40MM) LAINA (T:0.40MM)	1		1	1	UR
	688-45577-01-50	SHIM (T:0.50MM) LAINA (T:0.50MM)	1		1	1	UR
59	688-45576-00	WASHER, THRUST ARANDELA DE EMPUJE AXIAL	1		1	1	
60	93210-85M97	O-RING JUNTA TORICA	1		1	1	
61	93317-325U0	BEARING COJINETE DE RODILLOS	1		1	1	
62	93101-25M03	OIL SEAL RETEN DE ACEITE	2		2	2	
63	688-45383-02	WASHER, CLAW ARANDELA DE UNA	1		1	1	



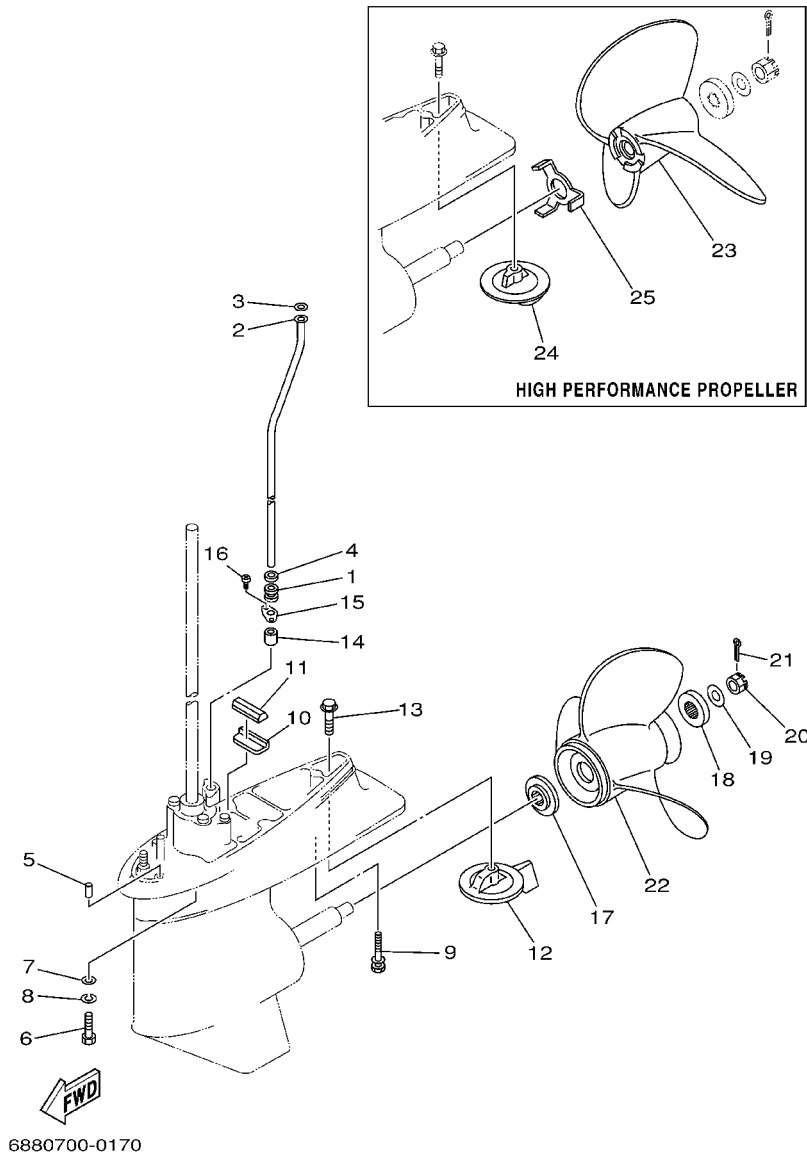
6880200-1230

FIG. 23 LOWER CASING. DRIVE 2 IMPULSOR E INFERIOR 2

REF. NO.	PART NO. CODIGO NO.	DESCRIPTION DESCRIPTION	ET	TUNA	ED	EHD	REMARKS OBSERVACION
64	688-45384-00	NUT TUERCA	1		1	1	
65	90282-04010	KEY, STRAIGHT CHAVETA, RECTA	1		1	1	
66	6H1-44151-00	CAM, SHIFT LEVA DE CAMBIO	1		1	1	
67	6H1-44144-00	ROD, SHIFT VARILLA DE CAMBIO	1		1	1	
68	93210-07003	O-RING JUNTA TORICA	1		1	1	
69	99001-08600	CIRCLIP PRESILLA REDONDA	1		1	1	
70	93450-07M00	CIRCLIP SEGURO	1		1	1	

FIG. 24 LOWER CASING. DRIVE 3

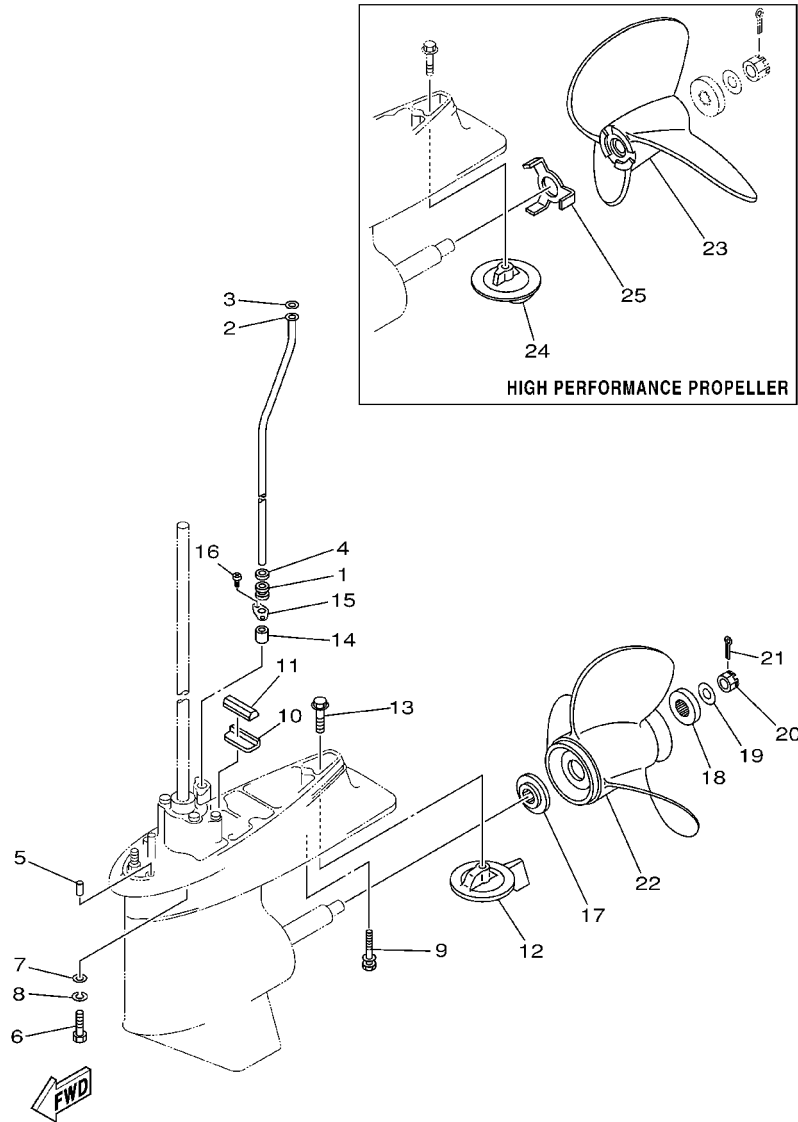
IMPULSOR E INFERIOR 3



REF. NO.	PART NO. CODIGO NO.	DESCRIPTION DESCRIPTION	ET	TUNA	ED	EHD	REMARKS OBSERVACION
1	663-44367-00	DAMPER, WATER SEAL GOMA DEL SELLO DE AGUA	1	1	1	1	
2	688-44361-10	TUBE, WATER TUBO DE AGUA	1	1	1	1	L
	688-44361-20	TUBE, WATER TUBO DE AGUA	1		1	1	X
	692-44361-20	TUBE, WATER TUBO DE AGUA				1	Y
3	90202-12060	WASHER, PLATE ARANDELA DE PLANA	1	1	1	1	
4	90430-12072	GASKET JUNTA	1	1	1	1	
5	93606-12019	PIN, DOWEL PASADOR DE CLAVIJA	2	2	2	2	L
6	97075-10040	BOLT PERNO	4	4	4	4	L
7	92990-10600	WASHER, PLATE ARANDELA PLANA	4	4	4	4	
8	92990-10100	WASHER, SPRING ARANDELA PLANA	4	4	4	4	
9	90119-08M84	BOLT, WITH WASHER TORNILLO CON ARANDELA	1	1	1	1	L
10	663-45376-00-94	GUIDE, SEAL DAMPER GUIA DE SELLO GOMA	1	1	1	1	
11	688-45375-00	DAMPER, SEAL GOMA DE SELLO	1	1	1	1	
12	688-45371-02	TAB-TRIM QUILLA ESTABILIZADOR	1	1	1	1	
13	90105-10M67	BOLT, FLANGE TORNILLO	1	1	1	1	
14	663-44366-00	DAMPER, WATER SEAL GOMA DEL SELLO DE AGUA	1	1	1	1	
15	90480-19M06	GROMMET TAPON	1	1	1	1	
16	97780-40512	SCREW, TAPPING TORNILLO DE CABEZA DE CONO ACH	2	2	2	2	
17	688-45987-01	SPACER ESPACIADOR	1	1	1	1	
18	688-45997-01	SPACER ESPACIADOR	1	1	1	1	
19	90201-17M00	WASHER, PLATE ARANDELA PLANA	1	1	1	1	
20	90171-16011	NUT, CASTLE TUERCA ENTALLADA	1	1	1	1	
21	91490-40025	PIN, COTTER CHAVETA	1	1	1	1	
22	6E5-45941-00-EL	PROPELLER (3X13"X19"-K) PROPELA (3X13"X19"-K)	1	1	1	1	UR
	6E5-45943-00-EL	PROPELLER (3X12-5/8"X21"-K) PROPELA (3X12-5/8"X21"-K)	1	1	1	1	UR
	6E5-45945-01-EL	PROPELLER (3X13-1/4"X17"-K) PROPELA (3X13-1/4"X17"-K)	1	1	1	1	UR
	6E5-45947-00-EL	PROPELLER (3X13-1/2"X15"-K) PROPELA (3X13-1/2"X15"-K)	1	1	1	1	UR

FIG. 24 LOWER CASING. DRIVE 3

IMPULSOR E INFERIOR 3

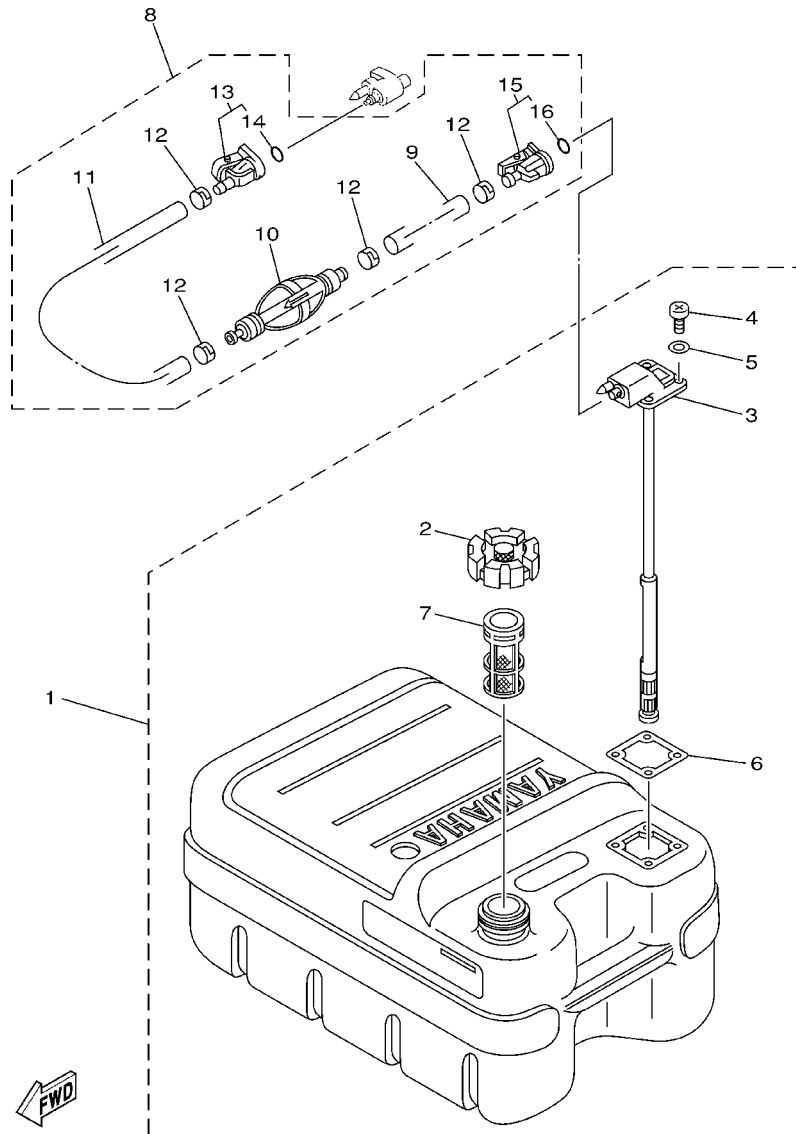


6880700-0170

REF. NO.	PART NO. CODIGO NO.	DESCRIPTION DESCRIPTION	ET	TUNA	ED	EHD	REMARKS OBSERVACION
22	6E5-45949-00-EL	PROPELLER (3X13-5/8"X13"-K) PROPELA (3X13-5/8"X13"-K)	1	1	1	1	UR
	6E5-45952-00-EL	PROPELLER (3X13"X23"-K) PROPELA (3X13"X23"-K)	1	1	1	1	UR
	6E5-45954-00-EL	PROPELLER (3X14"X11"-K) PROPELA (3X14"X11"-K)	1	1	1	1	UR
		STAINLESS STEEL PROPELLER LIMPIO-ACERO DEL PROPELA					
	688-45970-03-98	PROPELLER (3X13"X19"-K) PROPELA (3X13"X19"-K)	1	1	1	1	UR
	688-45972-02-98	PROPELLER (3X13"X21"-K) PROPELA (3X13"X21"-K)	1	1	1	1	UR
	688-45974-02-98	PROPELLER (3X13"X23"-K) PROPELA (3X13"X23"-K)	1	1	1	1	UR
	688-45976-01-98	PROPELLER (3X13"X25"-K) PROPELA (3X13"X25"-K)	1	1	1	1	UR
	688-45978-60-98	PROPELLER (3X13-1/2"X16"-K) PROPELA (3X13-1/2"X16"-K)	1	1	1	1	UR
	688-45930-02-98	PROPELLER (3X13"X17"-K) PROPELA (3X13"X17"-K)	1	1	1	1	UR
	688-45932-60-98	PROPELLER (3X13-1/2"X14"-K) PROPELA (3X13-1/2"X14"-K)	1	1	1	1	UR
		HIGH PERFORMANCE PROPELLER ALTO COMPOSICION DEL PROPELA					
23	6E5-45970-10	PROPELLER (3X14"X20"-P) PROPELA (3X14"X20"-P)	1	1	1	1	UR
	6E5-45972-10	PROPELLER (3X14"X24"-P) PROPELA (3X14"X24"-P)	1	1	1	1	UR
	6E5-45974-10	PROPELLER (3X14"X28"-P) PROPELA (3X14"X28"-P)	1	1	1	1	UR
	6E5-45976-10	PROPELLER (3X14"X22"-P) PROPELA (3X14"X22"-P)	1	1	1	1	UR
	6E5-45978-10	PROPELLER (3X14"X26"-P) PROPELA (3X14"X26"-P)	1	1	1	1	UR
24	6E5-45371-10	TAB-TRIM QUILLA ESTABILIZADOR	1	1	1	1	
25	6E5-45994-10	PLATE, TOOTH PLACA	1	1	1	1	

FIG. 25 FUEL TANK

DEPOSITO DE COMBUSTIBLE

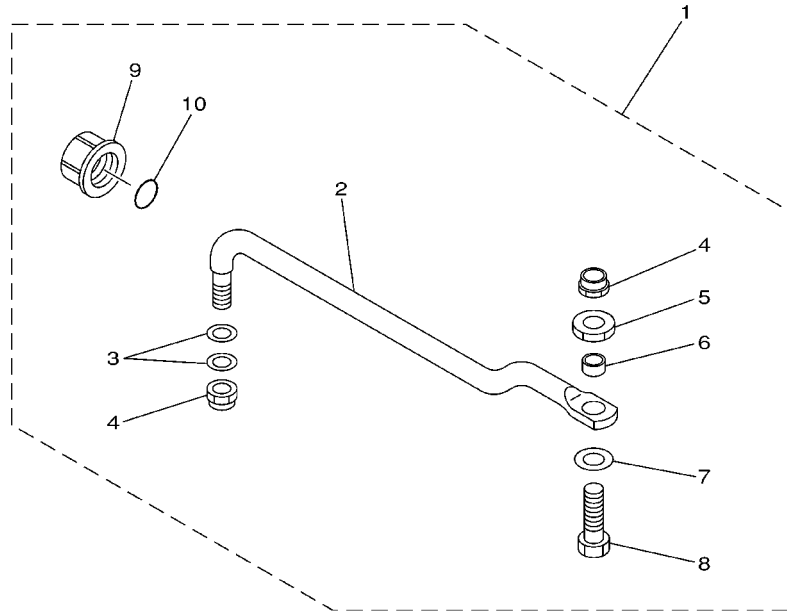


67C0100-9300

REF. NO.	PART NO. CODIGO NO.	DESCRIPTION DESCRIPTION	ET	TUNA	ED	EHD	REMARKS OBSERVACION
1	6YJ-24201-00	FUEL TANK ASSY (24L)	1		1	1	AP
	6YJ-24201-10	TANQUE DEL COMBUSTIBLE (24L)					
	6YJ-24201-10	FUEL TANK ASSY (24L)	1		1	1	AP WITH INDICATOR
	6YJ-24201-10	TANQUE DEL COMBUSTIBLE (24L)					
2	6YJ-24610-01	.CAP ASSY	1		1	1	
	6YJ-24610-01	.TAPA COMPLETA					
3	6YJ-24260-00	.FUEL METER ASSY	1		1	1	
	6YJ-24260-00	.MEDIDOR DE COMBUSTIBLE COMPL.					
	6Y1-24260-12	.FUEL METER ASSY	1		1	1	WITH INDICATOR
	6Y1-24260-12	.MEDIDOR DE COMBUSTIBLE COMPL.					
4	98586-05016	.SCREW, PAN HEAD	4		4	4	
	98586-05016	.TORNILLO DE CABEZA CON PLANA					
5	6Y1-24329-00	.SEAL	4		4	4	
	6Y1-24329-00	.SELLO					
6	6Y1-24268-00	.GASKET, FUEL METER	1		1	1	
	6Y1-24268-00	.EMPAQ MEDIDOR DE COMBUSTIBLE					
7	6YJ-24167-00	.STRAINER	1		1	1	
	6YJ-24167-00	.COLADOR					
8	61J-24306-02	FUEL PIPE COMP. 1	1		1	1	AP
	61J-24306-02	TUBO COMBUST. COMPL 1					
9	90445-11M06	.HOSE (L2050)	1		1	1	
	90445-11M06	.MANGUERA (L2050)					
10	61J-24360-00	.PRIMER PUMP ASSY	1		1	1	
	61J-24360-00	.SOPORTE BOMBA					
11	90445-11M05	.HOSE (L850)	1		1	1	
	90445-11M05	.MANGUERA (L850)					
12	650-24351-51	.BAND 1	4		4	4	
	650-24351-51	.ABRAZADERA 1					
13	6G1-24305-03	.FUEL PIPE JOINT COMP. 2	1		1	1	
	6G1-24305-03	.CONECTOR MANGUERA COMBUST. 2					
14	93210-08287	..O-RING	1		1	1	
	93210-08287	..JUNTA TORICA					
15	6Y1-24305-04	.FUEL PIPE JOINT COMP. 2	1		1	1	
	6Y1-24305-04	.CONECTOR MANGUERA COMBUST. 2					
16	93210-08287	..O-RING	1		1	1	
	93210-08287	..JUNTA TORICA					

FIG. 26 STEERING GUIDE

DIRECCIONGUIAR

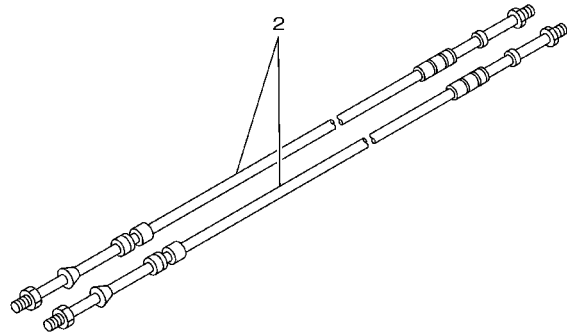
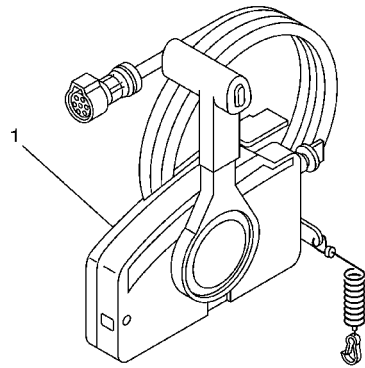


REF. NO.	PART NO. CODIGO NO.	DESCRIPTION DESCRIPTION	ET	TUNA	ED	EHD	REMARKS OBSERVACION
1	688-61350-10	STEERING GUIDE ATTACHMENT KIT ESTUCHE ADITAMENTO GUIA DE TIM	1	1			AP
2	688-61351-10	.ROD, STEERING LINK .VARILLA ESLABON DIRECCION	1	1			
3	90201-10M20	.WASHER, PLATE .ARANDELA PLANA	2	2			
4	90185-09M01	.NUT, SELF-LOCKING .TUERCA AUTOBLOCANTE	2	2			
5	90170-09M03	.NUT .TUERCA	1	1			
6	90387-10M42	.COLLAR .COLLAR	1	1			
7	90201-10M63	.WASHER, PLATE .ARANDELA PLANA	1	1			
8	6E5-61355-00	.BOLT .TORNILLO	1	1			
9	6E5-43145-01	.CAP, CLAMP BRACKET .TAPA	1	1			
10	93210-16275	.O-RING .JUNTA TORICA	1	1			

6880700-9190

FIG. 27 REMOTE CONTROL BOX

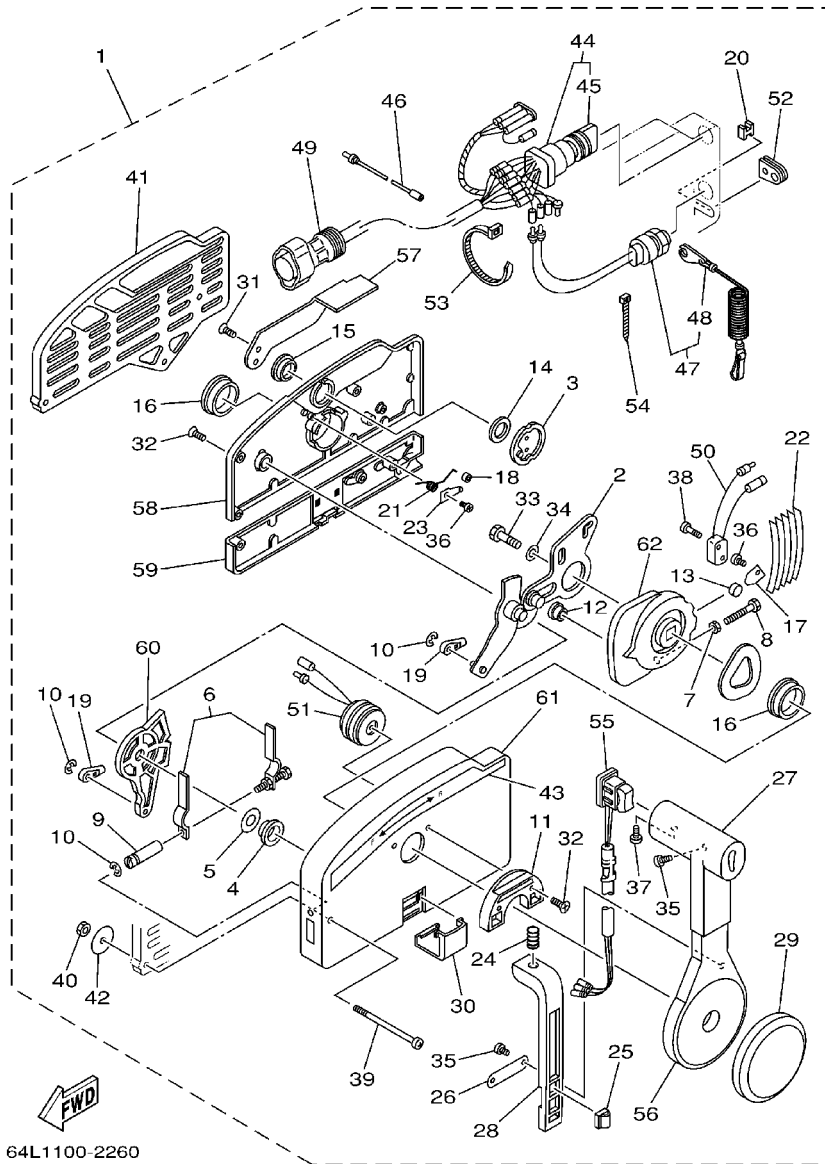
CONTROL REMOTO COMPL.



REF. NO.	PART NO. CODIGO NO.	DESCRIPTION DESCRIPTION	ET	TUNA	ED	EHD	REMARKS OBSERVACION
1	703-48205-17	REMOTE CONTROL ASSY REMOTO CONTROL COMPL.	1				AP WITH PT/T SW.
	703-48203-15	REMOTE CONTROL ASSY REMOTO CONTROL COMPL.		1	1		AP
2	701-48320-30	CABLE, REMOTE CONTROL L=14F CABLE CONTROL REMOTO L=14F	2	2	2		UR
	701-48320-80	CABLE, REMOTE CONTROL L=17F CABLE CONTROL REMOTO L=17F	2	2	2		UR
	701-48320-40	CABLE, REMOTE CONTROL L=19F CABLE CONTROL REMOTO L=19F	2	2	2		UR
<hr/>							
<hr/>							
<hr/>							
<hr/>							
<hr/>							
<hr/>							
<hr/>							
<hr/>							



67M0100-8280

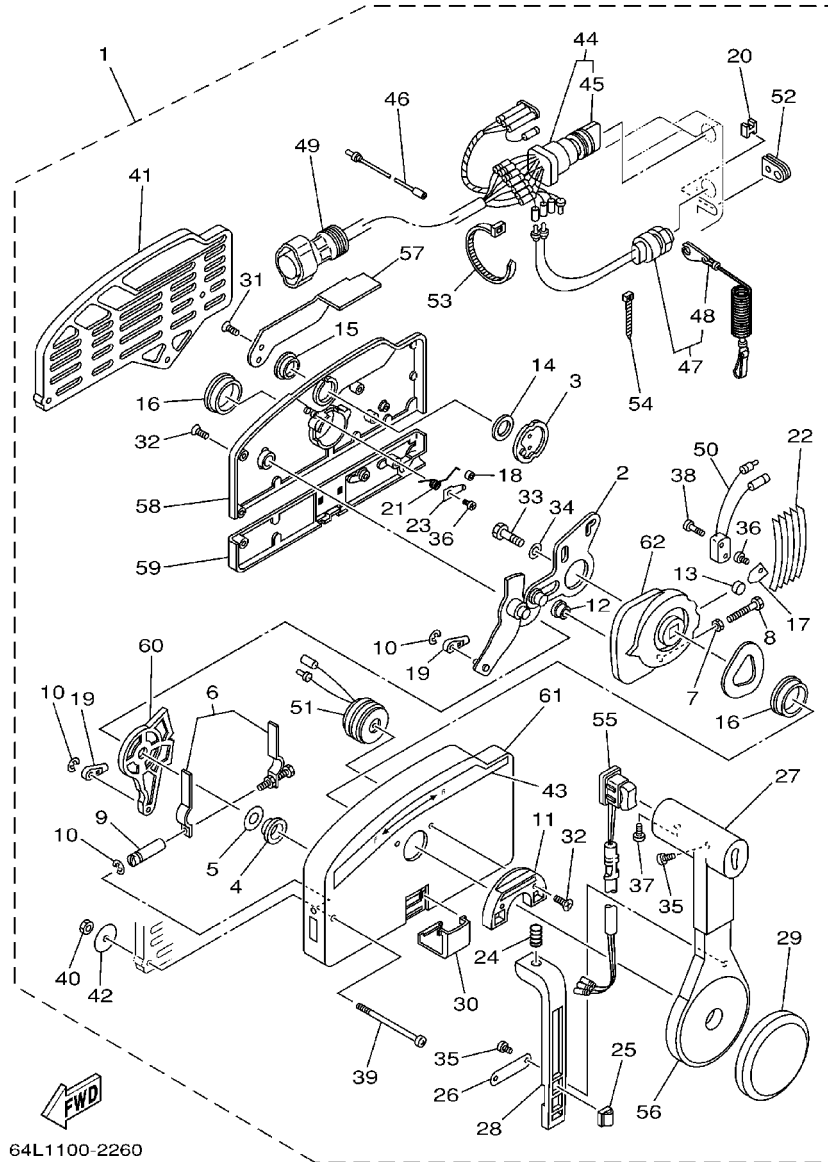


64L1100-2260

FIG. 28 REMOTE CONTROL ASSY CONTROL REMOTO COMPL.

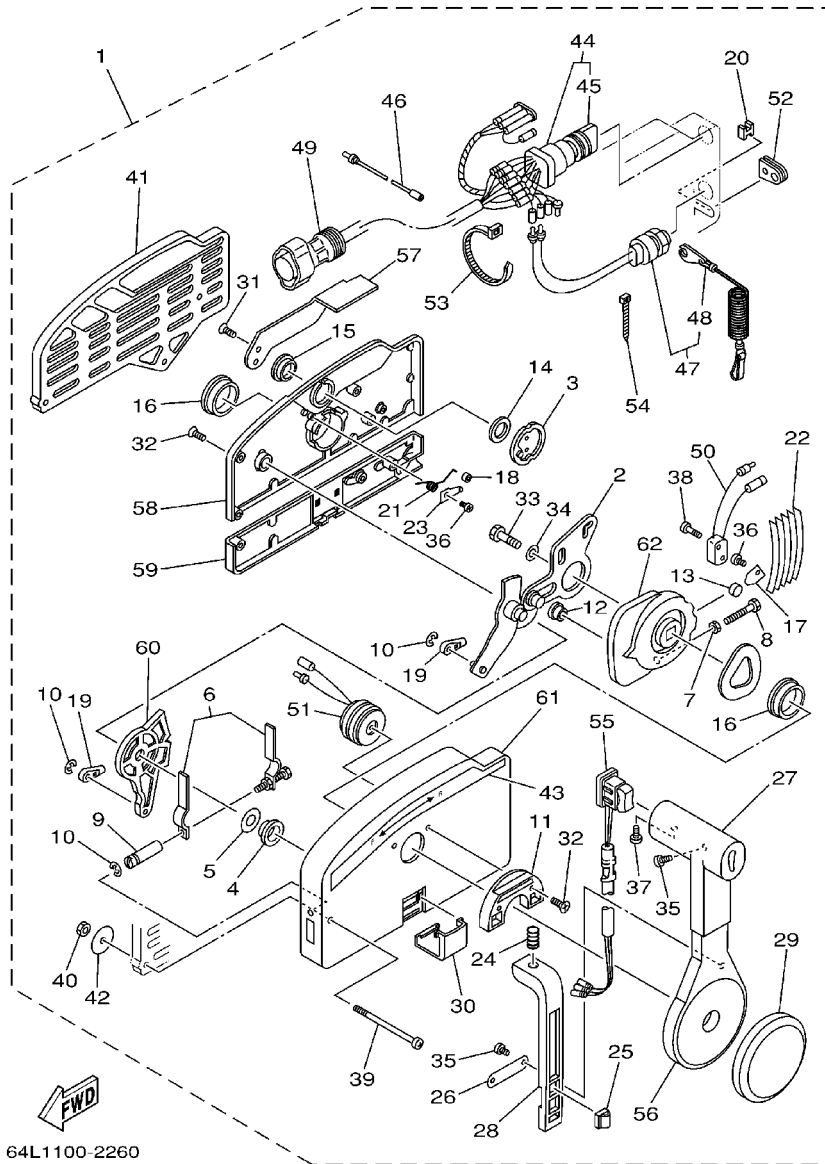
REF. NO.	PART NO. CODIGO NO.	DESCRIPTION DESCRIPTION	ET	TUNA	ED	EHD	REMARKS OBSERVACION
1	703-48205-17	REMOTE CONTROL ASSY REMOTO CONTROL COMPL.	1				AP WITH PT/T SW.
	703-48203-15	REMOTE CONTROL ASSY REMOTO CONTROL COMPL.		1	1		AP
2	703-48261-01	.ARM, THROTTLE .BRAZO ACELERADOR	1	1	1		
3	703-48153-00	.SHAFT, FREE ACCEL. .EJE	1	1	1		
4	703-48235-00	.BUSHING .BUJE	1	1	1		
5	703-48268-00	.SPACER .ESPACIADOR 3	1	1	1		
6	703-48264-00	.THROTTLE, FRICTION .FRICCION ACELERADOR	1	1	1		
7	95380-05600	.NUT .TUERCA	1	1	1		
8	97380-05025	.BOLT .TORNILLO HEXAGONAL	1	1	1		
9	703-48265-00	.SHAFT, FRICTION .EJE FRICCION	1	1	1		
10	93430-06024	.CIRCLIP .SEGURO	3	3	3		
11	703-48245-00	.PLATE, LOCK .PLACA CERRADURA	1	1	1		
12	703-48252-00	.ROLLER, CAM .RODILLO LEVA	1	1	1		
13	701-48248-00	.ROLLER, FREE ACCEL. .RODILLO ACELERADOR LIBRE	1	1	1		
14	703-48198-00	.WASHER, WAVE .RONDANA ONDULADA 3	1	1	1		
15	703-48243-00	.BUSHING .BUJE 3	1	1	1		
16	703-48236-00	.BUSHING 1 .BUJE	2	2	2		
17	703-48189-00	.RETAINER .RETENEDOR	1	1	1		
18	703-48234-00	.ROLLER, DETENT .RODILLO	1	1	1		
19	703-48345-01	.CABLE END, REMOTE CONTROL 2 .TERMINAL CABLE DE CONTROL REM	2	2	2		
20	703-48358-00	.ANCHOR, CABLE .ABRAZADERA CABLE	1	1	1		
21	703-48244-00	.SPRING, FREE ACCEL. .RESORTE ACELERADOR LIBRE	1	1	1		
22	703-48238-00	.SPRING, DETENT .RESORTE	5	5	5		
23	703-48246-00	.SPACER .ESPACIADOR	1	1	1		
24	703-48227-00	.SPRING, NEUTRAL LOCK .RESORTE DE SEGURO	1	1	1		
25	703-82594-00	.CLAMP .GRAMPA	1				WITH PT/T SW.
26	703-48226-00	.PLATE, STOPPER .PLACA RETEN	1	1	1		

FIG. 28 REMOTE CONTROL ASSY CONTROL REMOTO COMPL.



64L1100-2260

REF. NO.	PART NO. CODIGO NO.	DESCRIPTION DESCRIPTION	ET	TUNA	ED	EHD	REMARKS OBSERVACION
27	703-48222-00	.GRIP, CONTROL LEVER .MANGO DE PALANCA CONTROL	1	1	1		SINGLE
28	703-48223-00	.LOCK, NEUTRAL .CERRADURA NEUTRO	1	1	1		
29	703-48225-00	.COVER .CUBIERTA	1	1	1		
30	703-48219-00	.COVER, LEAD .CUBIERTA	1	1	1		
31	703-48281-00	.SCREW .TORNILLO 1	2	2	2		
32	703-48282-00	.SCREW .TORNILLO 2	7	7	7		
33	97380-08030	.BOLT .TORNILLO HEXAGONAL	1	1	1		
34	92990-08600	.WASHER, PLATE .ARANDELA PLANA	1	1	1		
35	98580-04010	.SCREW, PAN HEAD .TORNILLO DE CABEZA CRUZADA	3	3	3		
36	98580-04006	.SCREW, PAN HEAD .TORNILLO DE CABEZA CRUZADA	2	2	2		
37	98580-05010	.SCREW, PAN HEAD .TORNILLO DE CABEZA CRUZADA	1	1	1		
38	98580-03015	.SCREW, PAN HEAD .TORNILLO DE CABEZA CRUZADA	2	2	2		
39	703-48291-10	.SCREW (M6) .TORNILLO (M6)	3	3	3		
40	95380-06600	.NUT, HEXAGON .TUERCA	3	3	3		
41	703-48293-10	.SPACER, REMOTE CONTROL .ESPACIADOR	1	1	1		SINGLE
42	701-48287-00	.WASHER .ARANDELA	3	3	3		
43	703-48215-00	.GRAPHIC .CALCOMANIA 1	1	1	1		
44	703-82510-43	.MAIN SWITCH ASSY .CONJUNTO DE LLAVE IGNICION	1				FOR 703-48205-17
	703-82510-33	.MAIN SWITCH ASSY .CONJUNTO DE LLAVE IGNICION		1	1		FOR 703-48203-15
45	703-82577-00	.CAP, KEY .TAPA	1	1	1		
46	703-82531-00	.WIRE, LEAD .CABLE CONDUCTOR	1	1	1		
47	688-82575-01	.ENGINE STOP SWITCH ASSY .INTERRUPTOR DE PARADA COMPL	1	1	1		
48	682-82556-00	.STOPPER .RETENER	1	1	1		
49	688-8258A-20	.EXTENSION, WIRE HARNESS .EXTENSION, ARNES DE CABLES	1				L:5M (10P)
	688-82586-21	.EXTENSION, WIRE HARNESS .EXTENSION, CONJ. DE CABLES		1	1		L:5M (7P)
50	703-82540-00	.NEUTRAL SWITCH ASSY .INTERRUPTOR NEUTRAL COMPL	1	1	1		
51	703-83383-02	.BUZZER .ZUMBADOR	1	1	1		



64L1100-2260

FIG. 28 REMOTE CONTROL ASSY CONTROL REMOTO COMPL.

REF. NO.	PART NO. CODIGO NO.	DESCRIPTION DESCRIPTION	ET	TUNA	ED	EHD	REMARKS OBSERVACION
52	703-48284-00	.GROMMET .TAPON 1	1	1	1		
53	703-82591-00	.BAND .BANDA	1	1	1		
54	703-82592-00	.BAND .BANDA	1	1	1		
55	703-82563-02	.TRIM & TILT SWITCH ASSY .INTERRUPTOR DE INCLINACION	1				WITH PT/T SW.
	703-48224-00	.COVER, CONTROL LEVER .CUBIERTA DE PALANCA CONTROL		1	1		WITHOUT PT/T SW.
56	703-48221-00	.LEVER, CONTROL .PALANCA CONTROL	1	1	1		
57	703-48152-00	.KNOB, FREE ACCEL. .PERILLA	1	1	1		
58	703-48212-00	.BACK PLATE 1 .PLACA TRASERA 1	1	1	1		
59	703-48213-00	.BACK PLATE 2 .PLACA TRASERA 2	1	1	1		
60	703-48271-00	.ARM, SHIFT .BRAZO CAMBIADOR	1	1	1		
61	703-48211-01	.HOUSING,1 .CAJA	1	1	1		
62	703-48232-00	.GEAR .ENGRANAJE 1	1	1	1		

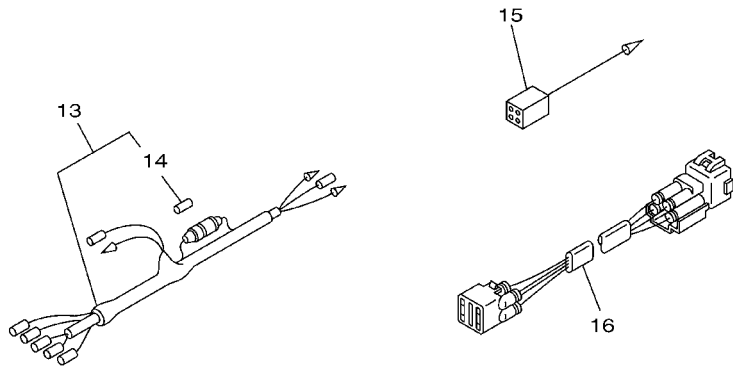
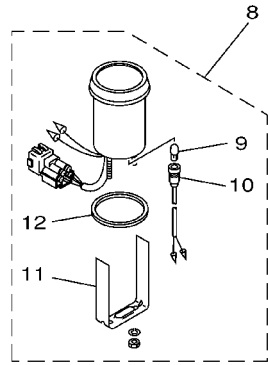
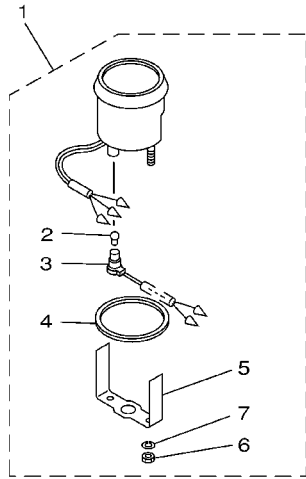


FIG. 29 METER

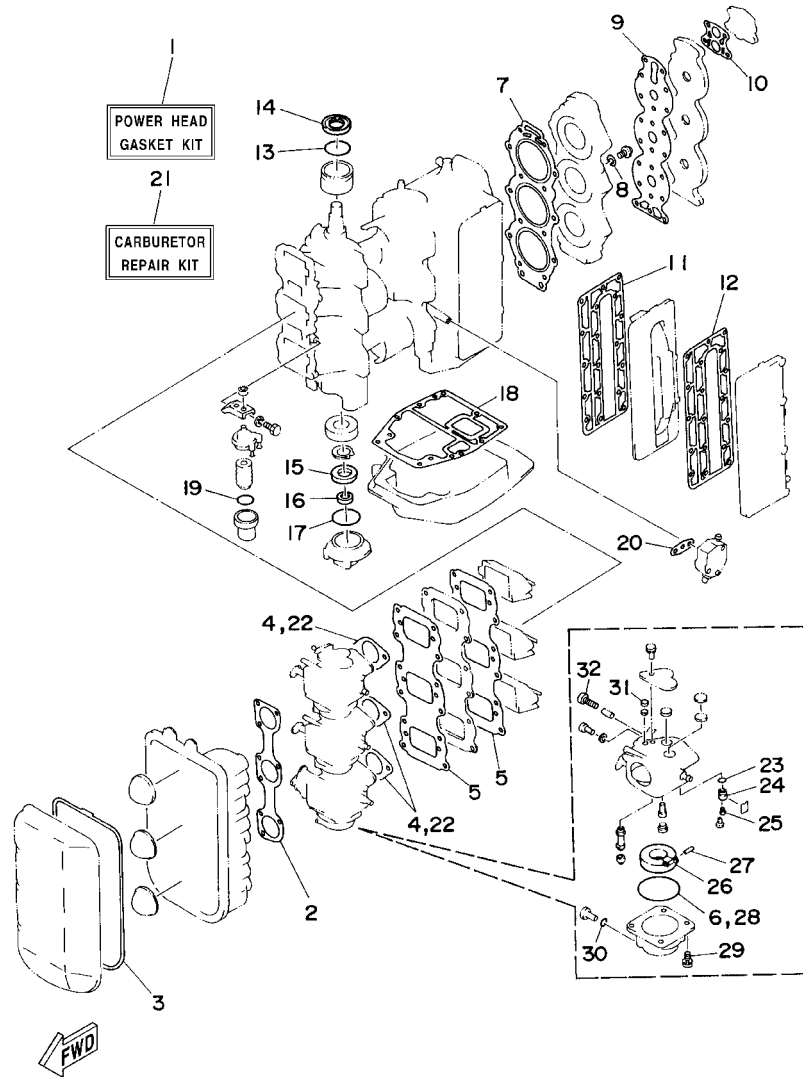
MEDIDOR

REF. NO.	PART NO. CODIGO NO.	DESCRIPTION DESCRIPTION	ET	TUNA	ED	EHD	REMARKS OBSERVACION
1	6Y5-83540-14	TACHOMETER ASSY TACOMETRO COMPLETO	1				AP WITHOUT OIL LAMP
2	6Y5-83517-00	.BULB (12V-1.7W, T10) .BOMBILLA (12V-1.7W, T10)	1				
3	6Y5-83536-10	.SOCKET, METER ENCASTRE DE MEDIDOR	1				
4	6Y5-83523-00	.DAMPER .AMORTIGUADOR	1				
5	6Y5-83514-00	.PLATE, FITTING .PLACA ACCESORIA	1				
6	95380-05600	.NUT .TUERCA	2				
7	92990-05100	.WASHER, SPRING .ARANDELA GROWER	2				
8	6Y5-83670-12	TRIM METER ASSY. MEDIDOR DE INCLINACION	1				AP
9	6Y5-83518-00	.BULB (12V-1.7W, T6.5) .BOMBILLA (12V-1.7W, T6.5)	1				
10	6Y5-83536-00	.SOCKET, METER ENCASTRE DE MEDIDOR	1				
11	6Y5-83544-00	.PLATE, FITTING .PLACA ACCESORIA	1				
12	688-83664-00	.DAMPER .AMORTIGUADOR	1				
13	6Y5-83553-00	WIRE, LEAD CABLE CONDUCTOR	1				AP
14	1E6-82151-00	.FUSE (10A) .FUSIBLE (10A)	1				
15	6Y5-82117-00	WIRE, LEAD (BLACK) CABLE, CONDUCTOR (NEGRO)	1				AP
16	6R3-82553-70	EXTENSION, WIRE LEAD CABLE	1				AP 4P,7M

6E50200-0280

FIG. 30 REPAIR KIT 1

ESTUCHE REPARATION 1

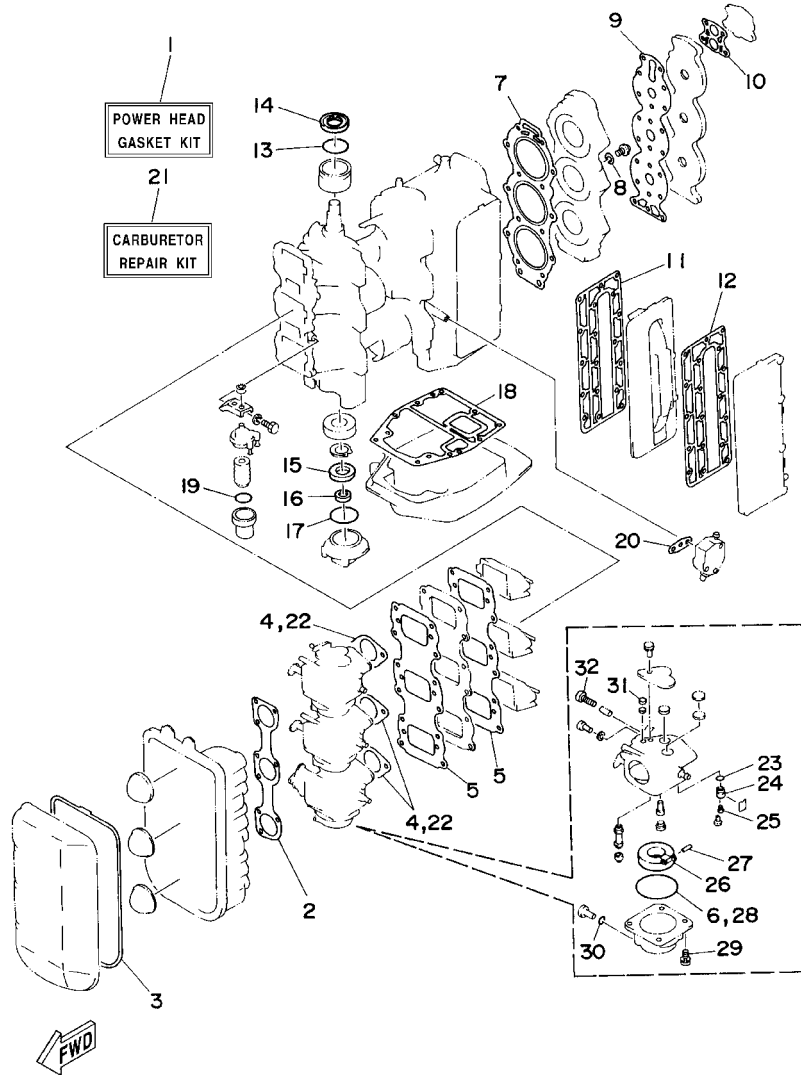


6880010-4180

REF. NO.	PART NO. CODIGO NO.	DESCRIPTION DESCRIPTION	ET	TUNA	ED	EHD	REMARKS OBSERVACION
1	688-W0001-02	POWER HEAD GASKET KIT JUEGO DE EMPAQUE	1	1	1	1	
2	688-14483-A0	.GASKET .EMPAQUE	1	1	1	1	
3	688-14416-01	.GASKET, AIR CLEANER .EMPAQUE	1	1	1	1	
4	688-14198-A2	.GASKET .EMPAQUE	3	3	3	3	
5	688-13621-A1	.GASKET, VALVE SEAT .JUNTA, DE VALV.DE EMPAQUE	2	2	2	2	
6	676-14984-00	.GASKET, FLOAT CHAMBER .EMPAQUE CAMARA DE BOIA	3	3	3	3	
7	688-11181-A1	.GASKET, CYLINDER HEAD 1 .JUNTA, DE CULATA 1	1	1	1	1	
8	90430-14115	.GASKET .JUNTA	1	1	1	1	
9	688-11193-A1	.GASKET, HEAD COVER 1 .EMPAQUE	1	1	1	1	
10	688-12414-A1	.GASKET, COVER .EMPAQUE	1	1	1	1	
11	688-41112-A0	.GASKET, EXHAUST INNER COVER .EMPAQUE	1	1	1	1	
12	688-41114-A0	.GASKET, EXHAUST OUTER COVER .EMPAQUE	1	1	1	1	
13	93210-46M16	O-RING .JUNTA TORICA	1	1	1	1	
14	93102-36M02	.OIL SEAL .RETEN DE ACEITE	1	1	1	1	
15	93102-30M05	.OIL SEAL .RETEN DE ACEITE	1	1	1	1	
16	93104-20M02	.OIL SEAL .SELLO ACEITE	1	1	1	1	
17	93210-62269	O-RING .JUNTA TORICA	1	1	1	1	
18	688-45113-A0	.GASKET, UPPER CASING .EMPAQUE	1	1	1	1	
19	93210-32738	O-RING .JUNTA TORICA	1	1	1	1	
20	650-24431-A0	.GASKET, FUEL PUMP 1 .EMPAQUE BOMBA COMBUST 1	1	1	1	1	
21	6H1-W0093-01	CARBURETOR REPAIR KIT KIT REPARACION CARBURADOR	1	1	1	1	
22	688-14198-A2	.GASKET .EMPAQUE	3	3	3	3	
23	93210-04228	O-RING .JUNTA TORICA	3	3	3	3	
24	692-14590-01	.NEEDLE VALVE ASSY .VALVULA DE AGUJA COMPLETA	3	3	3	3	
25	676-14186-00	.PIN, FLOAT .PASADOR DE LA BOYA	3	3	3	3	
26	676-14985-01	.FLOAT .BOIA	3	3	3	3	
27	688-14548-00	.PIN, FLOAT ARM .PASADOR DE BRAZO DE BOIA	3	3	3	3	

FIG. 30 REPAIR KIT 1

ESTUCHE REPARATION 1

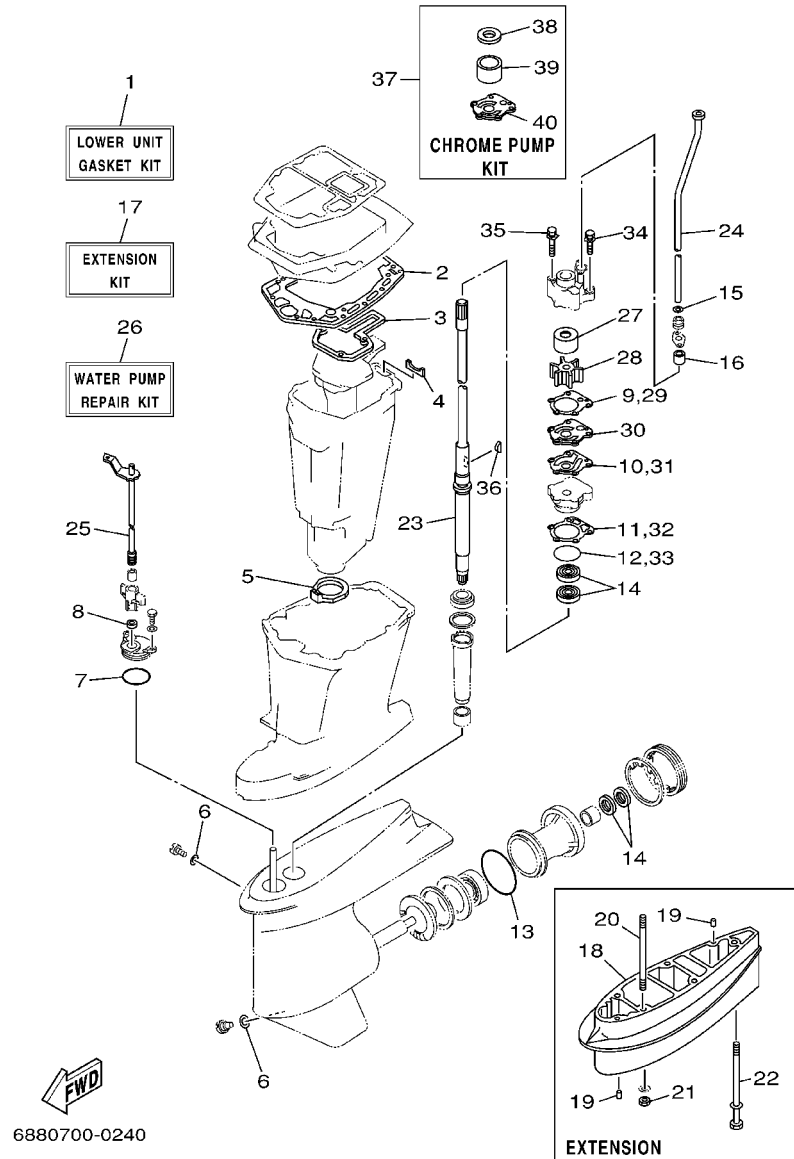


6880010-4180

REF. NO.	PART NO. CODIGO NO.	DESCRIPTION DESCRIPTION	ET	TUNA	ED	EHD	REMARKS OBSERVACION
28	676-14984-00	.GASKET, FLOAT CHAMBER .EMPAQUE CAMARA DE BOIA	3	3	3	3	
29	97980-04114	.SCREW, WITH WASHER .TORNILLO, CON ARANDELA	3	3	3	3	
30	93210-04230	.O-RING .JUNTA TORICA	3	3	3	3	
31	663-14126-00	.GASKET .EMPAQUE	3	3	3	3	
32	692-14923-00	.SCREW, PILOT .TORNILLO DE AJUSTE	3	3	3	3	

FIG. 31 REPAIR KIT 2

ESTUCHE REPARATION 2



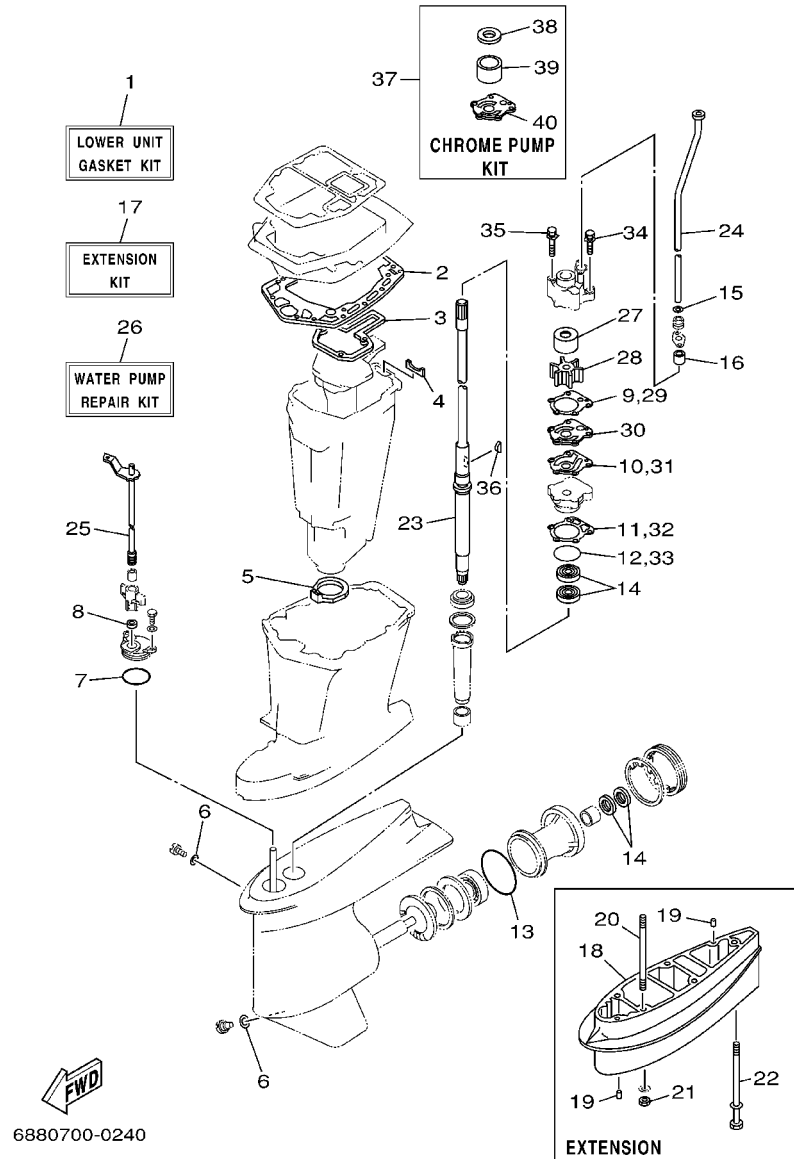
6880700-0240

REF. NO.	PART NO. CODIGO NO.	DESCRIPTION DESCRIPTION	ET	TUNA	ED	EHD	REMARKS OBSERVACION
1	688-W0001-22	LOWER UNIT GASKET KIT JUEGO DE EMPAQUE UNIDAD INFER.	1	1	1	1	
2	688-45114-A1	.GASKET, UPPER CASING .EMPAQUE	1	1	1	1	
3	688-41134-A0	.GASKET, EXHAUST MANIFOLD .EMPAQUE	1	1	1	1	
4	688-41133-00	.GASKET, EXHAUST MANIFOLD 1 .EMPAQUE ESCAPE MULTIPLE	1	1	1	1	
5	688-45123-00	.GASKET, MUFFLER .EMPAQUE SILENCIADOR	1	1	1	1	
6	90430-08020	.GASKET .JUNTA	2	2	2	2	
7	93210-49046	.O-RING .JUNTA TORICA	1	1	1	1	
8	93106-09014	.OIL SEAL .RETEN DE ACEITE	1	1	1	1	
9	688-44315-A0	.GASKET, WATER PUMP .EMPAQUE	1	1	1	1	
10	688-44324-A0	.GASKET, CARTRIDGE .EMPAQUE	1	1	1	1	
11	688-44316-A0	.GASKET, WATER PUMP .EMPAQUE	1	1	1	1	
12	93210-46044	.O-RING .JUNTA TORICA	1	1	1	1	
13	93210-85M97	.O-RING .JUNTA TORICA	1	1	1	1	
14	93101-25M03	.OIL SEAL .RETEN DE ACEITE	4	4	4	4	
15	90430-12072	.GASKET .JUNTA	1	1	1	1	
16	663-44366-00	.DAMPER, WATER SEAL .GOMA DEL SELLO DE AGUA	1	1	1	1	
17	688-W0072-00-4D	EXTENSION KIT ESTUCHE PARA EXTENSION	1	1	1	1	
18	688-45211-00-4D	.EXTENSION .EXTENSION	1	1	1	1	
19	93606-12019	.PIN, DOWEL .PASADOR DE CLAVIJA	4	4	4	4	
20	90116-10M05	.BOLT, STUD .ESPARRAGO	4	4	4	4	
21	95380-10600	.NUT .TUERCA	4	4	4	4	
22	90119-08M86	.BOLT, WITH WASHER .TORNILLO CON ARANDELA	1	1	1	1	
23	688-45501-22	.DRIVE SHAFT COMP. .EJE DE MANDO COMPL.	1	1	1	1	
24	688-44361-20	.TUBE, WATER .TUBO DE AGUA	1	1	1	1	
25	688-44120-22	.HANDLE GEAR SHIFT ASSY .MANIJA DE CAMBIO COMPL.	1	1	1	1	
26	692-W0078-02	WATER PUMP REPAIR KIT ESTUCHE REPARACION BOMBA AGUA	1	1	1	1	
27	688-44322-00	.INSERT, CARTRIDGE .CARTUCHO	1	1	1	1	

D3

FIG. 31 REPAIR KIT 2

ESTUCHE REPARATION 2



REF. NO.	PART NO. CODIGO NO.	DESCRIPTION DESCRIPTION	ET	TUNA	ED	EHD	REMARKS OBSERVACION
28	688-44352-03	.IMPELLER .IMPULSOR	1	1	1	1	
29	688-44315-A0	.GASKET, WATER PUMP .EMPAQUE	1	1	1	1	
30	688-44323-00	.OUTER PLATE, CARTRIDGE .PLACA EXTERIOR DEL CARTUCHO	1	1	1	1	
31	688-44324-A0	.GASKET, CARTRIDGE .EMPAQUE	1	1	1	1	
32	688-44316-A0	.GASKET, WATER PUMP .EMPAQUE	1	1	1	1	
33	93210-46044	.O-RING .JUNTA TORICA	1	1	1	1	
34	90119-08M13	.BOLT, WITH WASHER .TORNILLO CON ARANDELA	2	2	2	2	
35	90119-08M16	.BOLT, WITH WASHER .TORNILLO CON ARANDELA	2	2	2	2	
36	90280-04M04	.KEY, WOODRUFF .CUNA WOODRUFF	1	1	1	1	
37	688-W0078-1A	CHROME PUMP KIT ESTUCHE REPARACION BOMBA AGUA	1	1	1	1	
38	688-44321-41	.INNER PLATE, CARTRIDGE .PLACA INTERIOR CARTUCHO	1	1	1	1	
39	688-44322-41	.INSERT, CARTRIDGE .CARTUCHO	1	1	1	1	
40	688-44323-40	.OUTER PLATE, CARTRIDGE .PLACA EXTERIOR DEL CARTUCHO	1	1	1	1	

NUMERICAL INDEX
INDICE NUMERICO

PART NO. CODIGO NO.	REF. NO.	PART NO. CODIGO NO.	REF. NO.	PART NO. CODIGO NO.	REF. NO.	PART NO. CODIGO NO.	REF. NO.	PART NO. CODIGO NO.	REF. NO.	PART NO. CODIGO NO.	REF. NO.
688-W0001-02	30 - 1	663-14126-00	30 - 31	676-14948-19	5 - 6	64J-24560-00	6 - 6	688-42510-61-4D	19 - 39	6E5-43126-02	19 - 35
688-W0001-22	31 - 1	688-14126-00	5 - 22	676-14948-23	5 - 6	68V-24563-00	6 - 7	688-42610-40-4D	1 - 1	688-43128-01-4D	17 - 1
688-W0004-00	4 - 14	663-14159-00	5 - 10	676-14966-00	5 - 7	648-24566-02	6 - 11	692-42610-40-4D	1 - 1	688-43131-03	15 - 19
692-W0004-00	4 - 14	676-14186-00	5 - 11	688-14980-00	5 - 16	6YJ-24610-01	25 - 2	688-42613-01-4D	1 - 10		16 - 16
688-W0070-31	1 - 19		30 - 25	676-14984-00	5 - 15	692-26301-03	13 - 20	688-42615-00	1 - 17		19 - 18
688-W0072-00-4D	31 - 17	688-14198-A2	4 - 8		30 - 6	6A1-28176-00	12 - 35	688-42617-00	1 - 21	6G5-43144-00	15 - 32
688-W0078-1A	31 - 37		30 - 4		30 - 28	6E0-28193-00-94	6 - 39	688-42618-00	1 - 11		16 - 30
692-W0078-02	31 - 26		30 - 22	676-14985-01	5 - 13	688-41111-00-1S	2 - 43	688-42619-00	1 - 22	6E5-43145-01	26 - 9
692-W0084-11-4D	13 - 1	688-14301-08	5 - 1		30 - 26	688-41112-A0	2 - 44	688-42628-00	1 - 12	6G5-43145-01	15 - 23
688-W0090-43-1S	2 - 1	688-14301-20	5 - 1	6H3-14992-00	5 - 18		30 - 11	688-42637-00	1 - 25		16 - 20
692-W0090-44-1S	2 - 1	692-14301-25	5 - 1	688-15100-05-1S	2 - 2	688-41113-00-1S	2 - 46	688-42647-00-94	1 - 2		19 - 22
6H1-W0093-01	30 - 21	688-14302-08	5 - 2	6H1-15359-01-94	3 - 1	688-41114-A0	2 - 45	688-42649-00-94	1 - 3	6G5-43148-00	15 - 27
656-W2810-02	6 - 38	688-14302-20	5 - 2	688-15379-00	3 - 6		30 - 12	688-42652-10	1 - 5		16 - 25
688-11111-02-1S	2 - 28	692-14302-25	5 - 2	6YJ-24167-00	25 - 7	688-41131-00-5B	21 - 8	663-42662-00	1 - 4	688-43160-01	15 - 34
692-11111-01-1S	2 - 28	688-14303-08	5 - 3	6YJ-24201-00	25 - 1	688-41133-00	21 - 9	688-42677-40	1 - 18		16 - 32
688-11119-01	2 - 26	688-14303-20	5 - 3	6YJ-24201-10	25 - 1		31 - 4	692-42677-40	1 - 18	688-43160-60	19 - 31
688-11181-A1	2 - 29	692-14303-25	5 - 3	6YJ-24260-00	25 - 3	688-41134-A0	21 - 7	688-42678-31	1 - 20	688-43165-00	15 - 35
	30 - 7	6A0-14325-00	6 - 25	6Y1-24260-12	25 - 3		31 - 3	692-42678-31	1 - 20		16 - 33
688-11191-00-1S	2 - 33	688-14416-01	4 - 24	6Y1-24268-00	25 - 6	688-41137-03-94	21 - 5	688-42681-31	1 - 23		19 - 32
688-11193-A1	2 - 34		30 - 3	6G1-24304-02	6 - 1	688-41211-01	14 - 28	688-42682-31	1 - 24	688-43170-04-4D	17 - 7
	30 - 9	688-14417-01-94	4 - 19	6E5-24305-04	7 - 2	688-41213-00	14 - 31	688-42711-04-4D	12 - 1	6H1-43181-01	15 - 24
688-11325-00	2 - 24	688-14418-01	4 - 23	6G1-24305-03	25 - 13	662-41214-01	14 - 8	692-42711-02-4D	12 - 1	688-43181-04	19 - 23
650-11370-01	2 - 4	688-14481-00	4 - 22	6Y1-24305-04	25 - 15	688-41217-01	4 - 3	648-42715-00	14 - 50	688-43181-10	16 - 21
688-11370-01	2 - 3	688-14483-A0	4 - 20	6Y2-24305-04	7 - 4	682-41237-00	14 - 27	688-42716-02	12 - 9	6H1-43185-01	15 - 25
	3 - 2		30 - 2	6Y2-24306-53	7 - 1		14 - 30	663-42724-00	12 - 10	688-43185-04	19 - 24
688-11411-01	3 - 11	624-14485-00	2 - 5	61J-24306-02	25 - 8	682-41237-50	14 - 25	688-42725-02	12 - 11	688-43185-10	16 - 22
663-11518-01	2 - 6	6H1-14488-00	4 - 30	663-24312-01	2 - 47	692-41256-00	4 - 1	688-42725-10	12 - 11	688-43186-00	17 - 2
688-11603-A0	3 - 19	63V-14523-00	5 - 30	688-24313-00	6 - 33	688-41257-01	4 - 4	692-42725-00	12 - 11	6H1-43311-01-4D	15 - 16
688-11604-A0	3 - 19	663-14527-00	5 - 21	688-24314-00	6 - 34	6J8-41262-00	17 - 4	6H4-42726-00	12 - 22		16 - 13
688-11605-A0	3 - 19	688-14527-00	5 - 23	6Y1-24329-00	25 - 5	661-41262-02	4 - 5	688-42726-10	12 - 22	688-43311-14-4D	19 - 13
688-11631-03-94	3 - 18	688-14548-00	5 - 14	6E5-24351-51	7 - 7	689-41273-00	4 - 2	688-42738-01-94	12 - 12	663-43318-00	16 - 23
663-11633-00	3 - 20		30 - 27	650-24351-51	25 - 12	688-41611-00	8 - 10	688-42741-01-4D	12 - 23		19 - 30
688-11634-00	3 - 21	679-14555-00	5 - 27	6Y2-24360-52	7 - 9	688-41612-00	8 - 11	688-42771-01-4D	12 - 24	682-43318-01	17 - 10
688-11635-03	3 - 18	688-14572-01	5 - 24	61J-24360-00	25 - 10	688-41631-01-94	14 - 18	6G5-42791-00	12 - 37	688-43339-60	19 - 72
688-11636-03	3 - 18	6H2-14578-00	5 - 32	6E5-24367-01	12 - 29	688-41632-01-94	14 - 7	6G5-42791-10	12 - 37	6H1-43376-00	18 - 39
688-11650-03	3 - 22	692-14590-01	5 - 9	688-24378-00	6 - 37	692-42111-12-4D	13 - 2	688-42815-01-4D	12 - 3	688-43616-00	17 - 5
688-12411-10	2 - 39		30 - 24	692-24410-00	6 - 15	692-42115-00	13 - 11	688-42816-00	12 - 7	688-43631-10	17 - 8
688-12413-00-1S	2 - 40	6K5-14592-00	5 - 28	663-24411-00	6 - 20	664-42119-00	13 - 3	688-42816-60	12 - 7	688-43651-00	17 - 9
688-12414-A1	2 - 41	688-14711-01-5B	21 - 10	692-24411-00	6 - 17	692-42121-02-4D	13 - 21	688-42817-01-4D	12 - 4	697-43662-00	14 - 56
	30 - 10	663-14737-10	21 - 12	6A0-24412-02	6 - 26	663-42126-01	13 - 47	6H1-43111-01-4D	15 - 1	6H1-4380F-10	20 - 7
688-12416-00	2 - 37	692-14923-00	5 - 26	6A0-24413-00	6 - 16	663-42133-01	13 - 15	688-43111-13-4D	16 - 1	6H1-4380G-10	20 - 15
688-13610-00	4 - 13		30 - 32	6A0-24421-01	6 - 24	692-42134-03-94	13 - 16	688-43111-61-4D	19 - 1	6H1-4380H-10	20 - 13
692-13610-00	4 - 13	676-14943-40	5 - 5	650-24431-A0	6 - 27	692-42135-00	13 - 14	6H1-43112-00-4D	15 - 11	6H1-4380J-10	20 - 8
688-13621-A1	4 - 11	676-14943-42	5 - 5		30 - 20	692-42137-02	13 - 5	688-43112-12-4D	16 - 8	6H1-43800-17-4D	20 - 1
	30 - 5	676-14943-44	5 - 5	648-24434-01	6 - 18	663-42138-00	13 - 12	688-43112-60-4D	19 - 8	67F-43802-00	20 - 39
688-13624-00	4 - 12	688-14947-00	5 - 4	648-24435-02	6 - 21	692-42164-00	13 - 42	688-43124-02	17 - 12	6H1-43804-10	20 - 4
688-13641-00-94	4 - 6	692-14947-00	5 - 4	68V-24469-00	6 - 10	6F6-42177-A0	13 - 4	6E5-43126-02	15 - 38	6H1-43805-10	20 - 3
663-14126-00	5 - 20	676-14948-18	5 - 6	68V-24521-00	6 - 8	688-42510-02-4D	18 - 3		16 - 36	6H1-43810-11	20 - 20

NUMERICAL INDEX
INDICE NUMERICO

PART NO. CODIGO NO.	REF. NO.	PART NO. CODIGO NO.	REF. NO.	PART NO. CODIGO NO.	REF. NO.	PART NO. CODIGO NO.	REF. NO.	PART NO. CODIGO NO.	REF. NO.	PART NO. CODIGO NO.	REF. NO.
6H1-43812-00	20-24	6H1-43891-10	20-5	688-44323-40	23-32	688-45211-01-4D	21-27	688-45567-01-18	23-7	688-45635-00	22-46
6H1-43813-10	20-27	6H1-43892-10	20-6		31-40	696-45211-01-4D	21-22	688-45567-01-30	22-7	6H1-45641-01	23-43
6H1-43814-11	20-19	6H1-43895-12	20-70	688-44324-A0	22-32	6H1-45214-00	22-12		23-7	6H1-45668-00	23-48
6H1-43816-00	20-68	6H1-43896-00	20-69		23-33		23-12	688-45567-01-40	22-7	688-45930-02-98	24-22
6H1-43817-01	20-47	6H1-43899-00	20-51		31-10	6H1-45215-00	22-13		23-7	688-45932-60-98	24-22
6E5-43818-00	20-32	697-44113-00	13-29		31-31		23-13	688-45567-01-50	22-7	6E5-45941-00-EL	24-22
6H1-4382A-10	20-52	688-44117-00-94	14-35	688-44341-01-94	22-27	6H1-45251-03	15-2		23-7	6E5-45943-00-EL	24-22
6H1-43820-11	20-64	688-44118-00-94	14-44		23-28		16-2	6H1-45571-00	23-55	6E5-45945-01-EL	24-22
6H1-43821-11	20-59	6H1-44120-12	14-51	688-44352-03	22-25		19-2	688-45571-01	22-47	6E5-45947-00-EL	24-22
6H1-43822-10	20-58	688-44120-12	14-51		23-26	692-45300-14-4D	22-1	688-45576-00	22-51	6E5-45949-00-EL	24-22
6H1-43828-10	20-30	688-44120-22	14-51		31-28	692-45300-24-4D	22-1		23-59	6E5-45952-00-EL	24-22
6H1-43829-00	20-36	6H1-44120-32	14-51	688-44361-10	24-2	692-45300-34-4D	22-1	688-45577-01-10	22-50	6E5-45954-00-EL	24-22
6H1-43830-11	20-49	692-44120-32	14-51	688-44361-20	24-2	692-45300-40-4D	23-1		23-58	6E5-45970-10	24-23
6H1-43831-10	20-48	6H1-44121-00	14-42		31-24	6H1-45301-03-4D	23-2	688-45577-01-12	22-50	688-45970-03-98	24-22
6H1-43833-10	20-33	688-44121-02	14-42	692-44361-20	24-2	688-45311-06-4D	22-2		23-58	6E5-45972-10	24-23
6H1-43834-00	20-34	688-44122-00	14-39	663-44366-00	24-14	688-45321-00	22-16	688-45577-01-15	22-50	688-45972-02-98	24-22
6H1-43835-10	20-29	688-44124-00	14-38		31-16		23-17		23-58	6E5-45974-10	24-23
6H1-4384E-20	20-61	6H1-44144-00	23-67	663-44367-00	24-1	688-45331-00-94	22-48	688-45577-01-18	22-50	688-45974-02-98	24-22
6H1-4384F-10	20-46	663-44144-01	22-59	6H3-44391-01	12-2		23-56		23-58	6E5-45976-10	24-23
6H1-4384G-11	20-45	696-44147-00	14-52	688-44511-00-94	18-33	688-45341-10	22-10	688-45577-01-30	22-50	688-45976-01-98	24-22
6H1-43840-11	20-17	6H1-44151-00	23-66	688-44511-60-5B	19-63		23-10		23-58	6E5-45978-10	24-23
6H1-43841-11	20-42	663-44151-00	22-58	688-44514-00-94	18-26	6E5-45371-10	24-24	688-45577-01-40	22-50	688-45978-60-98	24-22
6H1-43843-11	20-72	692-44159-01	13-33	688-44514-60-94	19-55	688-45371-02	24-12		23-58	688-45987-01	24-17
6H1-43844-10	20-44	663-44173-00	13-34	6H1-44526-00	15-3	688-45375-00	24-11	688-45577-01-50	22-50	6E5-45994-10	24-25
6H1-43845-00	20-55	6K5-44191-00	13-30		16-3	663-45376-00-94	24-10		23-58	688-45997-01	24-18
6H1-43847-00	20-50	688-44194-00	2-13		19-3	6J8-45378-00	23-16	688-45587-01-10	22-5	703-48152-00	28-57
6H1-4385H-00	20-78		14-22	663-44551-02-4D	18-9	688-45383-02	22-55		23-5	703-48153-00	28-3
6H1-43854-00	20-53	688-44311-01	22-21	688-44551-60-4D	19-44		23-63	688-45587-01-12	22-5	703-48189-00	28-17
6H1-43855-11	20-71		23-22	687-44552-02-94	18-18	688-45384-00	22-56		23-5	703-48198-00	28-14
6H1-43856-10	20-43	688-44315-A0	22-24	663-44553-01-4D	18-23		23-64	688-45587-01-15	22-5	703-48203-15	27-1
6H1-4386K-10	20-9		23-25	688-44553-60-4D	19-52	688-45501-11	22-36		23-5		28-1
6H1-43861-00	20-21		31-9	687-44555-00-94	18-11		23-37	688-45587-01-18	22-5	703-48205-17	27-1
6H1-43861-10	20-18		31-29	688-44555-00-94	19-46	688-45501-22	22-36		23-5		28-1
	20-22	688-44316-A0	22-30	663-44575-00	18-16		31-23	688-45587-01-30	22-5	703-48211-01	28-61
	20-60		23-31		18-32	692-45501-21	22-36		23-5	703-48212-00	28-58
6H1-43864-00	20-65		31-11		19-62	688-45536-01	22-4	688-45587-01-40	22-5	703-48213-00	28-59
6H1-43865-10	20-16		31-32	688-45111-04-4D	21-1		23-4		23-5	703-48215-00	28-43
6H1-43866-00	20-40	688-44321-41	22-23	688-45113-A0	21-20	688-45551-01	22-37	688-45587-01-50	22-5	703-48219-00	28-30
6H1-43867-00	20-41		23-24		30-18		23-38		23-5	703-48221-00	28-56
6H1-43868-00	20-74		31-38	688-45114-A1	21-6	688-45560-00	22-39	6H1-45611-01	23-41	703-48222-00	28-27
6H1-4387J-00	20-77	688-44322-00	22-22		31-2		23-40	688-45611-00	22-40	703-48223-00	28-28
6H1-43871-10	20-23		31-27	663-45119-00	15-18	688-45567-01-10	22-7	6H1-45631-01	23-51	703-48224-00	28-55
6H1-43872-10	20-25	688-44322-41	22-22		16-15		23-7	688-45631-01	22-43	703-48225-00	28-29
6H1-43874-00	20-67		23-23		19-16	688-45567-01-12	22-7	688-45633-00	22-45	703-48226-00	28-26
6H1-43875-00	20-57		31-39	688-45123-00	21-11		23-7		23-53	703-48227-00	28-24
6H1-4388E-11	20-73	688-44323-00	22-31		31-5	688-45567-01-15	22-7	6H1-45634-02	23-46	703-48232-00	28-62
6H1-43880-02	20-2		31-30	663-45155-10	21-2		23-7	688-45634-00	22-42	703-48234-00	28-18
6H1-43881-10	20-12	688-44323-40	22-31	688-45211-00-4D	31-18	688-45567-01-18	22-7	6H1-45635-00	23-54	703-48235-00	28-4

NUMERICAL INDEX
INDICE NUMERICO

PART NO. CODIGO NO.	REF. NO.	PART NO. CODIGO NO.	REF. NO.	PART NO. CODIGO NO.	REF. NO.	PART NO. CODIGO NO.	REF. NO.	PART NO. CODIGO NO.	REF. NO.	PART NO. CODIGO NO.	REF. NO.
703-48236-00	28 - 16	676-81850-11	11 - 2	703-82577-00	28 - 45	90116-10M05	31 - 20	90183-10M04	12 - 32	90202-12060	24 - 3
703-48238-00	28 - 22	676-81857-10	11 - 4	688-8258A-20	28 - 49	90116-10M06	2 - 21	90185-05002	22 - 15	90202-12092	13 - 25
703-48243-00	28 - 15	6H1-81916-00	9 - 25	688-82586-21	28 - 49	90116-10M28	18 - 37		23 - 15		14 - 15
703-48244-00	28 - 21	6G1-81941-10	9 - 13	688-82588-01	9 - 29		19 - 66	90185-08057	18 - 40	90202-20M06	18 - 29
703-48245-00	28 - 11	6E9-81945-70	9 - 15	688-82590-04	9 - 30	90116-10M31	21 - 23	90185-09M01	26 - 4		19 - 58
703-48246-00	28 - 23	6H0-81949-01	9 - 41	688-82590-17	9 - 30	90119-06MA3	2 - 35	90185-10051	13 - 39	90202-25M04	18 - 13
701-48248-00	28 - 13	6H0-81949-10	9 - 40	688-82590-20	9 - 30	90119-06MA5	2 - 42		18 - 31		19 - 48
703-48252-00	28 - 12	61A-81950-00	9 - 36	703-82591-00	28 - 53	90119-06M09	12 - 8		18 - 38	90206-10M04	14 - 33
703-48261-01	28 - 2	6G1-81952-00	9 - 14	703-82592-00	28 - 54	90119-06M12	2 - 8		19 - 60	90206-12054	13 - 27
703-48264-00	28 - 6	6H0-81960-00	9 - 8	688-82594-00	9 - 35	90119-06M24	14 - 34		19 - 67	90206-13019	12 - 6
703-48265-00	28 - 9	6H0-82105-02	9 - 32	703-82594-00	28 - 25	90119-06M29	15 - 4	90185-12058	13 - 28	90209-06M05	4 - 26
703-48268-00	28 - 5	6H0-82117-00	9 - 33	703-83383-02	28 - 51		16 - 4	90185-22043	15 - 22	90249-06M19	15 - 29
703-48271-00	28 - 60	6Y5-82117-00	29 - 15	6Y5-83514-00	29 - 5		19 - 4		16 - 19		16 - 27
703-48281-00	28 - 31	682-82119-01	9 - 39	6Y5-83517-00	29 - 2	90119-06M61	12 - 19		19 - 21	90250-07M02	22 - 44
703-48282-00	28 - 32		9 - 42	6Y5-83518-00	29 - 9	90119-06M75	9 - 22	90201-03313	23 - 49		23 - 52
703-48284-00	28 - 52	703-82119-00	12 - 21	6Y5-83523-00	29 - 4	90119-08MA3	2 - 27	90201-05652	5 - 29	90254-03003	13 - 13
701-48287-00	28 - 42		18 - 42	6Y5-83536-00	29 - 10	90119-08MA8	2 - 30	90201-06M31	9 - 24	90266-06009	1 - 9
703-48291-10	28 - 39	688-82127-02	18 - 25	6Y5-83536-10	29 - 3	90119-08M13	22 - 35	90201-06416	12 - 17	90269-02M09	13 - 6
703-48293-10	28 - 41	688-82127-60	19 - 54	6Y5-83540-14	29 - 1		23 - 36	90201-08M13	14 - 16	90269-03010	19 - 14
701-48320-30	27 - 2	6E5-82148-00	15 - 12	6Y5-83544-00	29 - 11		31 - 34	90201-08M23	14 - 11	90280-04M04	22 - 26
701-48320-40	27 - 2		16 - 9	6Y5-83553-00	29 - 13	90119-08M16	22 - 34	90201-10M20	26 - 3		23 - 27
701-48320-80	27 - 2		19 - 9	688-83664-00	29 - 12		23 - 35	90201-10M63	26 - 7		31 - 36
700-48339-00	13 - 46	6H1-82148-00	15 - 8	6Y5-83670-12	29 - 8		31 - 35	90201-10008	2 - 10	90280-05015	8 - 7
663-48344-00	14 - 6	1E6-82151-00	29 - 14	6H1-83672-12	18 - 1	90119-08M79	21 - 17	90201-10120	13 - 38	90282-04010	22 - 57
703-48345-01	28 - 19	663-82151-00	9 - 31	6H4-85411-00	12 - 34	90119-08M80	21 - 4	90201-11M22	18 - 30		23 - 65
703-48358-00	28 - 20	6G5-82152-00	9 - 18	692-85415-00	12 - 33	90119-08M84	24 - 9	90201-12M16	18 - 12	90338-05M03	12 - 20
688-48511-11-4D	18 - 36	6G1-82370-21	9 - 27	688-85510-01	8 - 2	90119-08M85	21 - 26		19 - 47	90340-08002	22 - 9
	19 - 65	663-82370-01	9 - 27	663-85518-00	14 - 19	90119-08M86	21 - 31	90201-12M34	13 - 41		23 - 9
663-48531-00	14 - 1	6H3-82510-02	10 - 1	688-85540-00	9 - 1		31 - 22	90201-12426	15 - 44	90340-14M00	2 - 31
663-48538-00	14 - 2	703-82510-33	28 - 44	6H1-85542-00-94	9 - 19	90119-08020	2 - 49		16 - 42	90386-06M12	14 - 43
688-61350-10	26 - 1	703-82510-43	28 - 44	688-85550-00	8 - 1	90119-10005	2 - 9		19 - 70	90386-06088	13 - 45
688-61351-10	26 - 2	697-82519-00	9 - 34	697-85570-00	9 - 5	90149-05M13	13 - 7	90201-12537	13 - 26	90386-07M58	14 - 53
6E5-61355-00	26 - 8	697-8252E-01-4D	10 - 9	688-85580-00	8 - 3	90151-05M00	22 - 14	90201-13M01	19 - 69	90386-08006	14 - 53
688-81332-01	8 - 13	697-8252F-01-4D	10 - 10	688-86110-01	4 - 27		23 - 14	90201-13M03	19 - 59	90386-08032	13 - 10
688-81800-12	11 - 1	703-82531-00	28 - 46	90101-06M27	13 - 48	90157-06M01	12 - 20	90201-13M19	18 - 14	90386-10M16	15 - 26
676-81809-10	11 - 3	688-82540-11	10 - 6	90101-10M49	18 - 27	90157-06013	14 - 21		19 - 49		16 - 24
688-81810-11	11 - 5	703-82540-00	28 - 50	90101-12M03	19 - 68	90157-06014	2 - 12	90201-17M00	24 - 19		19 - 25
663-81811-11	11 - 7	6R3-82553-70	29 - 16	90101-12M06	13 - 22	90159-06M11	9 - 26	90201-20M21	18 - 28	90386-10009	13 - 37
663-81812-11	11 - 8	663-82554-01	10 - 7	90101-12M65	15 - 42	90159-06M19	4 - 28		19 - 57	90386-12089	13 - 24
663-81813-10	11 - 9	663-82555-01	10 - 8		16 - 40	90159-06M31	8 - 12	90201-20417	3 - 25		14 - 12
663-81820-12	11 - 10	682-82556-00	10 - 4	90105-10M67	24 - 13	90170-09M03	26 - 5	90201-21M18	8 - 9	90386-13M38	12 - 5
688-81824-00	11 - 15		28 - 48	90109-06M39	9 - 23	90170-16M01	22 - 38	90201-22M67	15 - 21	90386-18M14	20 - 31
663-81826-10	11 - 14	688-82560-10	9 - 28	90109-08022	3 - 23		23 - 39		16 - 18	90386-18M21	16 - 37
688-81830-11	11 - 12	703-82563-02	28 - 55	90109-10M43	19 - 56	90170-20137	8 - 8		19 - 20		19 - 36
688-81831-00	11 - 13	6E3-8257H-00	12 - 36	90109-12M42	19 - 50	90171-16011	24 - 20	90201-30M00	18 - 4	90386-18M35	15 - 39
663-81832-11	11 - 11	688-82575-01	10 - 3	90109-12261	18 - 15	90175-06003	13 - 50		19 - 40		16 - 38
663-81840-11	11 - 6		28 - 47	90116-06122	4 - 7	90179-06066	18 - 22	90202-03M51	17 - 6		17 - 14
688-81842-00	11 - 16	676-82577-00	10 - 2	90116-10M05	21 - 28	90183-02M03	23 - 50	90202-07M07	14 - 40		19 - 37

NUMERICAL INDEX
INDICE NUMERICO

PART NO. CODIGO NO.	REF. NO.	PART NO. CODIGO NO.	REF. NO.	PART NO. CODIGO NO.	REF. NO.	PART NO. CODIGO NO.	REF. NO.	PART NO. CODIGO NO.	REF. NO.	PART NO. CODIGO NO.	REF. NO.
90386-18M63	15 - 41	90467-08004	6 - 5	92903-06600	9 - 17	92995-06600	22 - 20	93210-46M16	3 - 14	93606-12019	21 - 29
	17 - 13		6 - 31		14 - 37		23 - 21		30 - 13		24 - 5
90386-22M13	14 - 14		6 - 35	92903-08100	11 - 20	92995-08100	14 - 5	93210-46044	22 - 29		31 - 19
90386-22M15	15 - 20	90468-18008	14 - 9		14 - 46		18 - 20		23 - 30	93608-12063	2 - 7
	16 - 17		14 - 41	92903-08600	14 - 47		18 - 35		31 - 12	93700-06M03	13 - 17
90386-22M84	19 - 19		14 - 55	92903-10600	13 - 8		21 - 14		31 - 33		15 - 17
90386-30M60	18 - 8	90480-09M12	12 - 15	92990-04600	11 - 18		21 - 16	93210-49046	22 - 17		16 - 14
	19 - 43	90480-09M25	9 - 20	92990-05100	4 - 16		21 - 19		23 - 18		19 - 15
90386-30M77	18 - 6	90480-19M06	24 - 15		6 - 23	92995-10100	15 - 15		31 - 7	94702-00160	2 - 50
90386-30M78	18 - 5	90480-20M05	2 - 36		29 - 7		16 - 12	93210-62269	3 - 5	94702-00247	2 - 50
	19 - 41	90480-24M04	2 - 17	92990-06100	9 - 3		19 - 12		30 - 17	95303-05700	14 - 20
90386-30M85	19 - 42	90501-10M21	19 - 27		10 - 12	92995-12200	15 - 43	93210-64488	20 - 28	95303-06600	14 - 23
90387-06M03	9 - 21	90501-10326	5 - 31	92990-06600	9 - 4		16 - 41	93210-85M97	22 - 52	95303-06700	2 - 14
90387-06M17	14 - 32	90501-12M48	23 - 42		12 - 30	93101-25M03	22 - 28		23 - 60	95313-10600	2 - 11
90387-06M69	12 - 16	90501-12082	14 - 49		13 - 43		22 - 54		31 - 13	95380-03600	6 - 19
90387-08M16	14 - 13	90501-14M08	18 - 21		13 - 49		23 - 29	93306-206U5	3 - 16	95380-05600	14 - 26
90387-10M02	15 - 30	90501-16M11	2 - 38	92990-08200	14 - 54		23 - 62	93306-207U0	22 - 49		14 - 29
	16 - 28	90501-16M12	14 - 24	92990-08600	11 - 21		31 - 14		23 - 57		28 - 7
90387-10M38	19 - 28	90501-16M17	13 - 35		28 - 34	93102-08M43	20 - 14	93310-636U4	3 - 12		29 - 6
90387-10M42	26 - 6	90501-16M65	23 - 47	92990-10100	24 - 8	93102-30M05	3 - 3	93310-730V8	3 - 26	95380-06600	4 - 10
90387-12M30	13 - 40	90501-16233	22 - 41	92990-10600	19 - 26		30 - 15	93310-835U8	3 - 15		28 - 40
90430-08020	22 - 11	90501-23215	13 - 9		19 - 61	93102-36M02	3 - 13	93315-325V1	22 - 3	95380-08600	6 - 14
	23 - 11	90502-16M02	15 - 37		24 - 7		30 - 14		23 - 3	95380-10600	21 - 25
	31 - 6		16 - 35	92990-12200	13 - 23	93104-20M02	3 - 4	93317-325U0	22 - 53		21 - 30
90430-12072	24 - 4	90502-20M03	19 - 34	92995-06100	1 - 7		30 - 16		23 - 61		31 - 21
	31 - 15	90506-12M30	12 - 31		2 - 23	93106-09014	22 - 18	93332-000U3	22 - 6	95380-12600	15 - 45
90430-14115	2 - 32	90506-14M24	15 - 31		4 - 9		23 - 19		23 - 6		16 - 43
	30 - 8		16 - 29		9 - 10		31 - 8	93332-000W7	22 - 8		19 - 71
90440-14M00	15 - 46	90508-29M05	14 - 17		12 - 26	93210-03261	4 - 29		23 - 8	95380-12800	18 - 17
90445-07M00	2 - 18	91318-08016	20 - 66		12 - 28	93210-04228	5 - 8	93410-18M02	15 - 40	95780-12300	19 - 51
90445-07M23	2 - 19	91490-25012	13 - 44		15 - 6		30 - 23		16 - 39	97013-06014	6 - 12
90445-07M86	3 - 7	91490-30025	19 - 29		16 - 6	93210-04230	5 - 19		19 - 38	97013-06016	9 - 16
90445-07260	2 - 15	91490-40025	24 - 21		19 - 6		30 - 30	93410-28M06	18 - 10		13 - 31
90445-09090	6 - 4	91690-30012	14 - 3	92995-06600	1 - 8	93210-064A5	20 - 38	93410-29M09	19 - 45	97013-06018	4 - 21
90445-09097	6 - 32		15 - 36		1 - 14	93210-07003	23 - 68	93410-32M00	3 - 17	97013-06020	10 - 15
90445-09220	6 - 36		16 - 34		1 - 16	93210-08287	7 - 3	93430-06024	28 - 10		14 - 36
90445-09221	6 - 30		19 - 33		3 - 10		7 - 5	93450-07M00	23 - 70	97013-06030	4 - 17
90445-11M05	25 - 11	91690-30020	15 - 28		6 - 3		25 - 14	93501-04M02	14 - 48		8 - 4
90445-11M06	25 - 9		16 - 26		6 - 29		25 - 16	93503-16003	23 - 44		10 - 13
90445-13M00	7 - 8		17 - 3		8 - 15	93210-09165	20 - 37	93505-32038	20 - 79	97013-08030	11 - 19
90445-13M01	7 - 6	92901-04100	20 - 76		9 - 7	93210-10M74	20 - 54	93515-32M01	13 - 36		14 - 45
90464-09M13	12 - 21	92901-05200	20 - 63		9 - 12	93210-16275	26 - 10	93603-12M11	23 - 45	97075-08025	18 - 19
90464-12M00	8 - 6	92903-06100	4 - 18		9 - 38	93210-18M75	20 - 56	93603-21111	3 - 24		21 - 15
90465-11M10	18 - 41		6 - 13		12 - 14	93210-18397	20 - 26	93604-10M03	22 - 33	97075-08030	21 - 13
90467-06016	2 - 16		10 - 14		15 - 7	93210-29M94	18 - 7		23 - 34	97075-08035	18 - 34
	2 - 20		10 - 16		15 - 10		19 - 17	93606-12019	21 - 3		21 - 18
	3 - 8		13 - 32		16 - 7	93210-32738	6 - 9		21 - 21	97075-10040	24 - 6
90467-08004	2 - 48	92903-06600	8 - 5		19 - 7		30 - 19		21 - 24	97080-06010	17 - 11

NUMERICAL INDEX
INDICE NUMERICO

PART NO. CODIGO NO.	REF. NO.	PART NO. CODIGO NO.	REF. NO.	PART NO. CODIGO NO.	REF. NO.	PART NO. CODIGO NO.	REF. NO.	PART NO. CODIGO NO.	REF. NO.
97095-06010	8 - 14	97885-06016	18 - 2						
	15 - 9		18 - 24						
	15 - 33	97980-04114	5 - 17						
	16 - 31		30 - 29						
97095-06012	2 - 22	97980-05310	5 - 25						
	9 - 9	98501-04025	20 - 75						
97095-06016	1 - 13	98501-05010	20 - 62						
	12 - 13	98503-05028	6 - 22						
	15 - 5	98580-03015	28 - 38						
	16 - 5	98580-04006	28 - 36						
	19 - 5	98580-04008	5 - 12						
	22 - 19	98580-04010	28 - 35						
	23 - 20	98580-05010	28 - 37						
97095-06018	1 - 6	98586-05016	25 - 4						
97095-06020	3 - 9	98780-04015	2 - 25						
	6 - 2	99001-08600	22 - 60						
	9 - 6		23 - 69						
	9 - 11								
	12 - 25								
97095-06025	1 - 15								
	9 - 37								
97095-06030	12 - 18								
	12 - 27								
97095-06040	6 - 28								
97095-08016	14 - 4								
97095-08045	14 - 10								
97095-10045	15 - 14								
	16 - 11								
	19 - 11								
97380-05025	28 - 8								
97380-08030	28 - 33								
97575-08440	19 - 53								
	19 - 64								
97595-06420	20 - 35								
97607-04310	20 - 11								
97780-40512	24 - 16								
97880-04010	11 - 17								
97880-05020	4 - 15								
97880-06012	15 - 13								
	16 - 10								
	19 - 10								
97880-06025	10 - 11								
97880-06040	9 - 2								
97885-05012	13 - 19								
97885-05016	20 - 10								
97885-06008	13 - 18								
97885-06012	10 - 5								
97885-06016	4 - 25								

75A/85A/85A TUNA
PARTS CATALOGUE
©2002 by Yamaha Motor Co., Ltd.
1st Edition, Aug. 2002
All rights reserved.
Any reprinting or unauthorized use
without the written permission of
Yamaha Motor Co., Ltd.
is expressly prohibited.

75A/85A/85A TUNA
CATALOGO DE REPUESTOS
©2002, Yamaha Motor Co., Ltd.
1ª edición, Ag. 2002
Reservados todos los derechos.
Se prohíbe expresamente toda reimpresión
o utilización no autorizada de este manual
sin el consentimiento por escrito de
Yamaha Motor Co., Ltd.