



**PARTS
CATALOGUE
CATALOGUE
DE PIÈCES DÉTACHÉES**

9.9FMH'10 (63V9)

15FMH'10 (63W9)



1J63V-300F1



9.9FMH/15FMH
PARTS CATALOGUE
©2009 by Yamaha Motor Co., Ltd.
1st edition, July 2009
All rights reserved.
Any reprinting or unauthorized use
without the written permission of
Yamaha Motor Co., Ltd.
is expressly prohibited.
Printed in Japan.

9.9FMH/15FMH
CATALOGUE DE PIECES DETACHEES
©2009 par Yamaha Motor Co., Ltd.
1^{re} édition, juillet 2009
Tous droits réservés
Toute réimpression ou utilisation
non autorisée sans la permission écrite
de la Yamaha Motor Co., Ltd.
est formellement interdite.
Imprimé au Japon

FOREWORD

This Parts Catalogue is related to the parts for the model(s) on the cover page. When you are ordering replacement parts, please refer to this Parts Catalogue and quote both part numbers and part names correctly.

1. Modifications or additions which have been made after the issue of the Parts Catalogue will be announced in the Parts News.
It is advisable that you make the necessary corrections to the Parts Catalogue according to the Parts News.

2. Abbreviations

The following abbreviations are used in this Parts Catalogue.

“UR” Use specified parts number.

“UN” Use as many as needed.

“AP” Alternate Parts

“LM” Locally Made (Parts need to be ordered locally)

“F#” Frame No. (Applicable machine No.)

“O/S” Over Size

3. The number of components for assembly

- Parts, which are to be supplied in an assembly, are listed with a dot (.) in front of the part name as shown below.
- The numeral appearing to the right of each component part indicates the quantity of parts for each assembly unit.

| PART NO. | DESCRIPTION | Q'TY | REMARKS |
|--------------|--------------------------|------|---------|
| 2F5-83310-60 | FRONT FLASHER LIGHT ASSY | 2 | |
| 115-83311-60 | .BULB (6V-18W) | 1 | |

4. Applicable colours of graphics are represented in the “REMARKS” as shown below.

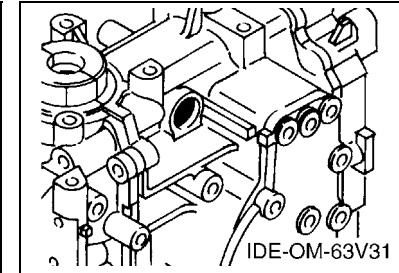
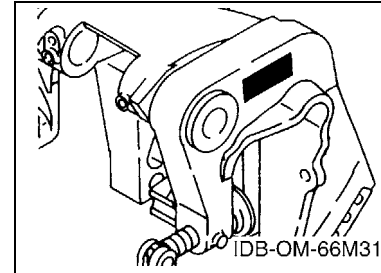
| PART NO. | DESCRIPTION | Q'TY | REMARKS |
|-----------------|---------------------|------|---------|
| 2N4-24110-00-X5 | FUEL TANK COMP. | 2 | MXR |
| 3J1-24240-10 | .GRAPHIC, FUEL TANK | 1 | FOR MXR |

5. Note that the illustrations for reference in finding parts numbers are not to be used for assembling. When assembling, please use the applicable service manual.

6. The asterisk (*) before a reference number indicates modified items after the first edition.

7. Applicable Serial No.

Engine Serial No.



8. Applicable Engine Starting Serial No.

| Model | Serial No. | Model | Serial No. |
|-------|--------------|-------|--------------|
| 9.9F | 682K-1047209 | 15F | 684K-1080312 |
| | | | |
| | | | |
| | | | |

9. Applicable Colour Code

| Abbreviation | Colour Name | Colour Code |
|--------------|-----------------------------|-------------|
| DBNM2 | DARK BLUISH GRAY METALLIC 2 | 004D |

10. Quantity Column Information

| Column No. | Name Of Q'ty Column | Applicable Model |
|------------|---------------------|------------------|
| 1 | 63V9 | 9.9FMH |
| 2 | 63W9 | 15FMH |
| | | |
| | | |

AVANT-PROPOS

Ce catalogue de pièces détachées concerne les pièces pour le(s) modèle(s) indiqué(s) sur la page de couverture. Lorsque vous commandez des pièces de rechange, veuillez vous référer à ce catalogue de pièces détachées et indiquer clairement les numéros et les noms des pièces détachées.

1. Les modifications ou ajouts ayant été effectués après la parution du catalogue de pièces détachées seront décrits dans les Bulletins d'information concernant les pièces détachées.

Il est recommandé que vous apportiez les corrections nécessaires au catalogue des pièces détachées en vous référant aux Bulletins d'information.

2. Abréviations

Dans ce catalogue, les abréviations suivantes sont utilisées:

“UR” Utiliser le numéro de pièces spécifié.

“UN” Utiliser autant que nécessaire.

“AP” Pièces de substitution

“LM” Fabrication locale (les pièces doivent être commandées localement.)

“F#” N° de cadre (applicable au N° de série)

“O/S” Surdimensionné

3. Nombre de pièces d'un assemblage

- Les pièces fournies comme composants d'un assemblage sont précédées d'un point (.) de la manière indiquée ci-dessous.
- Le chiffre apparaissant à la droite de chaque composant indique la quantité de pièces pour chaque unité d'assemblage.

| N° PIÈCES | DESCRIPTION | QTE | REMARQUES |
|--------------|-----------------------|-----|-----------|
| 2F5-83310-60 | ENS. CLIGNOTANT AVANT | 2 | |
| 115-83311-60 | .AMPOULE (6V-18W) | 1 | |

4. Les couleurs concernant les graphiques sont indiquées dans la colonne “REMARQUES”, comme indiqué ci-dessous.

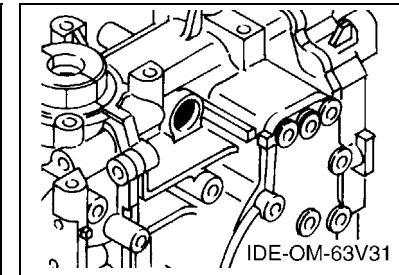
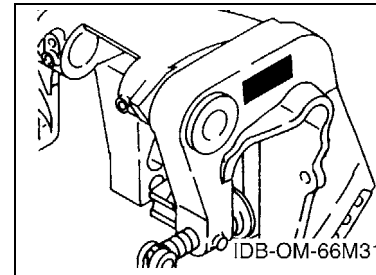
| N° PIÈCES | DESCRIPTION | QTE | REMARQUES |
|-----------------|----------------------|-----|-----------|
| 2N4-24110-00-X5 | RESERVOIR A ESSENCE. | 2 | MXR |
| 3J1-24240-10 | .GRAPHIQUE | 1 | POUR MXR |

5. Veuillez noter que les illustrations sont indiquées à titre de référence pour trouver les numéros de pièces, non pour être utilisées lors de l'assemblage. Lors de l'assemblage, veuillez utiliser le manuel d'entretien adéquat.

6. L'astérisque (*) placé devant un numéro de référence indique des éléments qui ont été modifiés après la première édition.

7. N° de série applicable

N° de Série du moteur



8. N° de série initial du moteur applicable

| Modèle | N° de série | Modèle | N° de série |
|--------|--------------|--------|--------------|
| 9.9F | 682K-1047209 | 15F | 684K-1080312 |
| | | | |
| | | | |
| | | | |

9. Code couleur applicable

| Abréviation | Nom de la couleur | Code couleur |
|-------------|-----------------------------|--------------|
| DBNM2 | DARK BLUISH GRAY METALLIC 2 | 004D |

10. Informations relatives à la colonne Quantité

| N° de la colonne | Nom de la colonne Qté | Modèle applicable |
|------------------|-----------------------|-------------------|
| 1 | 63V9 | 9.9FMH |
| 2 | 63W9 | 15FMH |
| | | |
| | | |

CONTENTS

| | |
|------------------------------|----|
| TOP COWLING | 1 |
| CYLINDER & CRANKCASE | 2 |
| CRANKSHAFT & PISTON | 3 |
| INTAKE | 5 |
| CARBURETOR | 6 |
| FUEL | 8 |
| STARTER | 9 |
| GENERATOR | 11 |
| ELECTRICAL | 12 |
| BOTTOM COWLING | 13 |
| STEERING | 14 |
| CONTROL | 16 |
| REMO CON ATTACHMENT | 18 |
| BRACKET 1 | 19 |
| BRACKET 2 | 21 |
| UPPER CASING | 22 |
| LOWER CASING & DRIVE 1 | 23 |
| LOWER CASING & DRIVE 2 | 26 |
| FUEL TANK | 28 |
| OPTIONAL PARTS | 29 |
| REPAIR KIT 1 | 30 |
| REPAIR KIT 2 | 31 |

INDEX

| | |
|-----------------------|----|
| NUMERICAL INDEX | 32 |
|-----------------------|----|

TABLE DES MATIERES

| | |
|--------------------------------------|----|
| CAPOT SUPERIEUR | 1 |
| CYLINDRE & CARTER | 2 |
| VILEBREQUIN & PISTON | 3 |
| ADMISSION | 5 |
| CARBURATEUR | 6 |
| CARBURANT | 8 |
| DEMARREUR | 9 |
| GENERATRICE | 11 |
| ELECTRIQUE | 12 |
| CAPOT INFERIEUR | 13 |
| DIRECTION | 14 |
| COMMANDE | 16 |
| COMMANDE A DISTANCE | 18 |
| SUPPORT 1 | 19 |
| SUPPORT 2 | 21 |
| FOURREAU | 22 |
| BOITIER D'HELICE TRANSMISSION1 | 23 |
| BOITIER D'HELICE TRANSMISSION2 | 26 |
| RESERVOIR A CARBURANT | 28 |
| PIECES OPTIONNELLES | 29 |
| KITS DE REPARATION 1 | 30 |
| KITS DE REPARATION 2 | 31 |

INDEX

| | |
|-----------------------|----|
| INDEX NUMERIQUE | 32 |
|-----------------------|----|

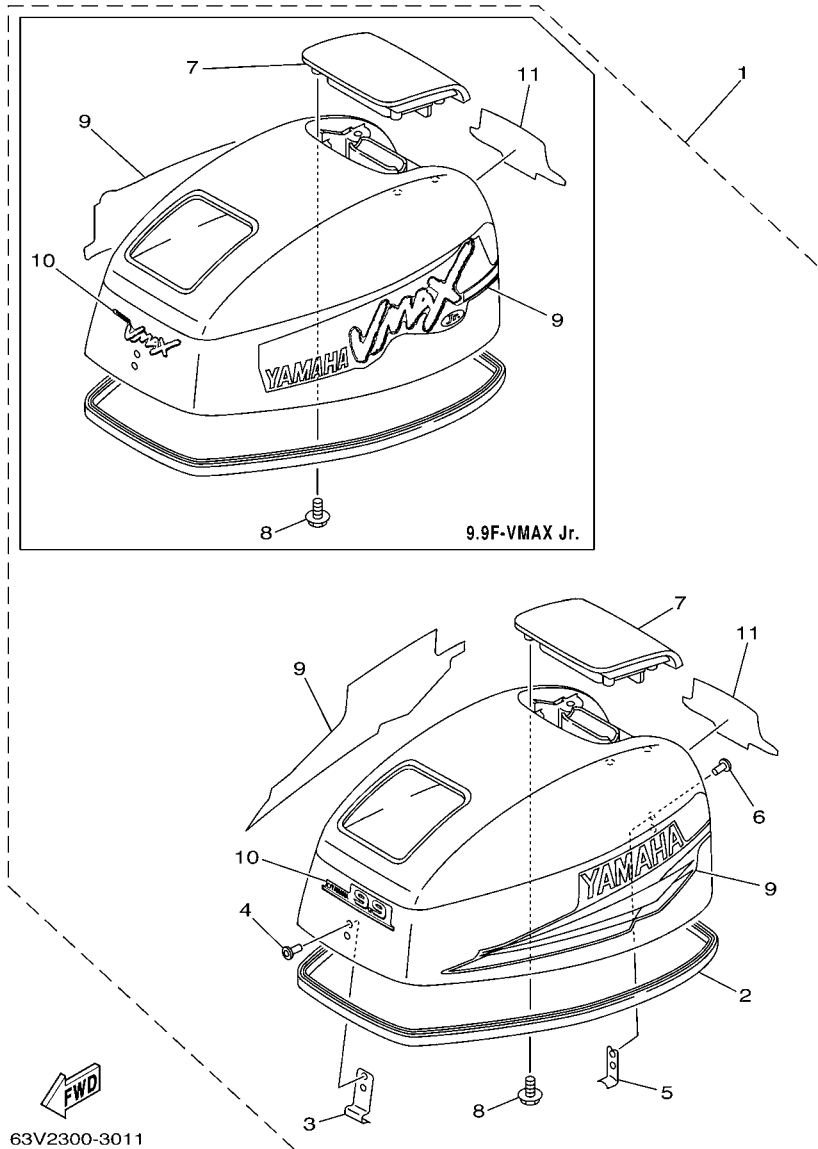
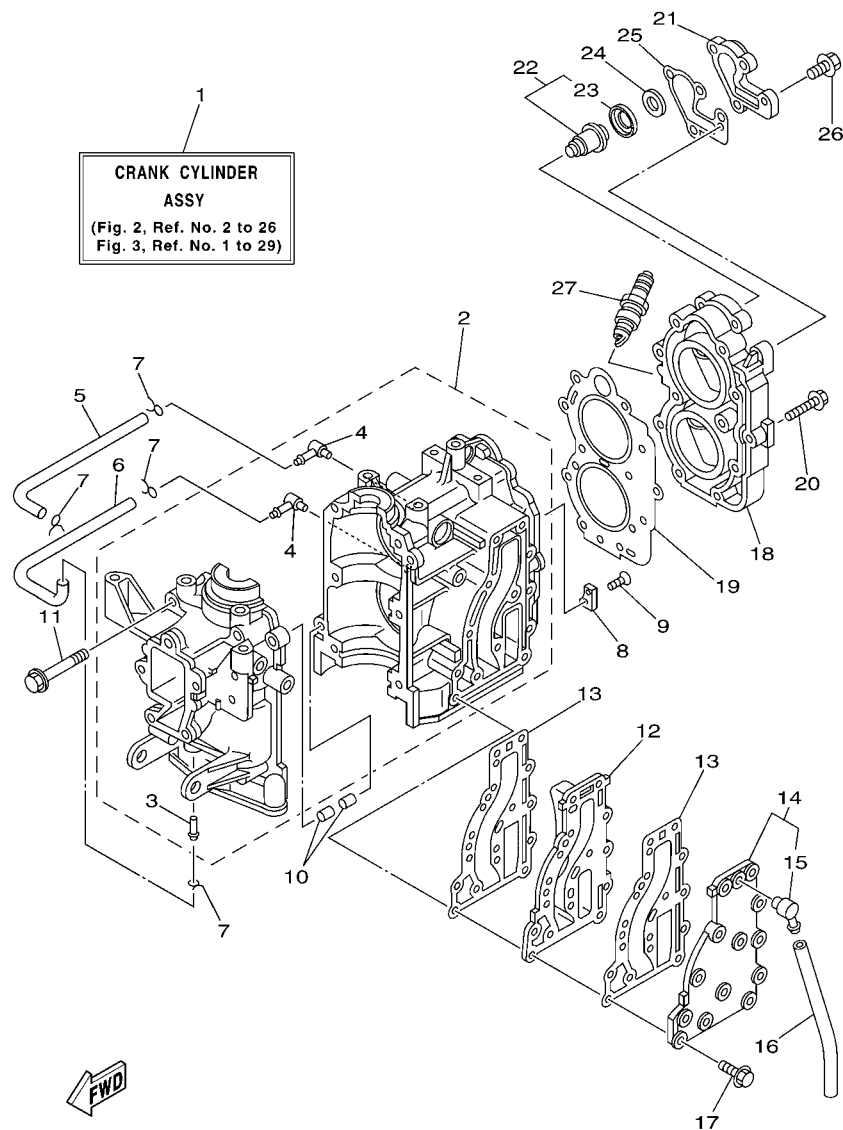


FIG. 1 TOP COWLING

CAPOT SUPERIEUR

| REF. NO. | PART NO. N° PIECES | DESCRIPTION DESCRIPTION | 63V9 | 63W9 | REMARKS REMARQUES |
|----------|--------------------|--|------|------|--------------------------------|
| 1 | 63V-42610-20-4D | TOP COWLING ASSY CAPOT (ENS.) | 1 | | |
| | 63V-42610-V1-NA | TOP COWLING ASSY CAPOT (ENS.) | 1 | | 9.9F-VMAX Jr. 9.9F-VMAX Jr. |
| | 63W-42610-20-4D | TOP COWLING ASSY CAPOT (ENS.) | | 1 | |
| 2 | 63V-42615-00 | .SEAL .JOINT | 1 | 1 | |
| 3 | 6G1-42651-02 | .HOOK .CROCHET | 1 | 1 | |
| 4 | 90266-04M04 | .RIVET .RIVET | 2 | 2 | |
| 5 | 6L2-42647-00 | .HOLDER, CLAMP BAND .SUPPORT, SANDOW DE SERRAGE | 1 | 1 | |
| 6 | 90266-04M04 | .RIVET .RIVET | 2 | 2 | |
| 7 | 63V-42613-01-4D | .MOLDING, AIR DUCT .MANCHON A AIR | 1 | 1 | |
| | 63V-42613-01-NA | .MOLDING, AIR DUCT .MANCHON A AIR | 1 | | 9.9F-VMAX Jr. 9.9F-VMAX Jr. |
| 8 | 97595-06516 | .BOLT, WITH WASHER .VIS HEXAGONAL AVC RONDELLE | 4 | 4 | |
| 9 | 63V-W0070-11 | .GRAPHIC SET .JEU DIEMBLEMES | 1 | 1 | |
| | 63V-W0070-V0 | .GRAPHIC SET .JEU DIEMBLEMES | 1 | | 9.9F-VMAX Jr. 9.9F-VMAX Jr. |
| 10 | 63V-42677-20 | .GRAPHIC, FRONT .ADHESIF, AVANT | 1 | | |
| | 63V-42677-V0 | .GRAPHIC, FRONT .ADHESIF, AVANT | 1 | | 9.9F-VMAX Jr. 9.9F-VMAX Jr. |
| | 63W-42677-20 | .GRAPHIC, FRONT .ADHESIF, AVANT | | 1 | |
| 11 | 63V-42678-10 | .GRAPHIC, REAR .ADHESIF, ARRIERE | 1 | | |
| | 63V-42678-V0 | .GRAPHIC, REAR .ADHESIF, ARRIERE | 1 | | 9.9F-VMAX Jr. 9.9F-VMAX Jr. |
| | 63W-42678-10 | .GRAPHIC, REAR .ADHESIF, ARRIERE | | 1 | |



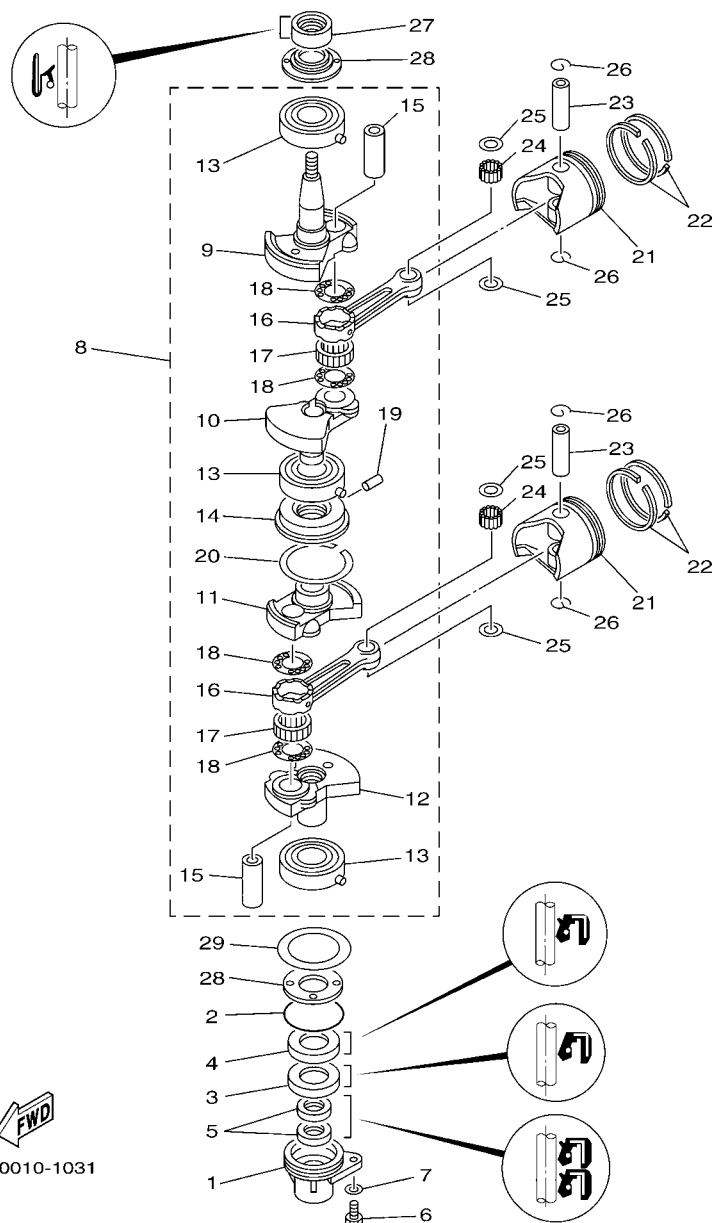
63V5200-E020

FIG. 2 CYLINDER & CRANKCASE CYLINDRE & CARTER

| REF. NO. | PART NO. N° PIECES | DESCRIPTION DESCRIPTION | 63V9 | 63W9 | REMARKS REMARQUES |
|----------|--------------------|---|------|------|-------------------|
| 1 | 63V-W0090-03-1S | CRANK CYLINDER ASSY EMBIELLAGE CYLINDRE (ENS.) | 1 | 1 | |
| 2 | 63V-15100-02-1S | CRANKCASE ASSY CARTER DE MOTEUR COMPLET | 1 | 1 | |
| 3 | 624-14485-00 | .PIPE, JOINT .DURITE | 1 | 1 | |
| 4 | 650-14485-03 | .PIPE, JOINT .DURITE | 2 | 2 | |
| 5 | 90445-07M08 | HOSE (L220) DURITE (L220) | 1 | 1 | |
| 6 | 90445-07M08 | HOSE (L220) DURITE (L220) | 1 | 1 | |
| 7 | 90467-06016 | CLIP JONG | 4 | 4 | |
| 8 | 682-11325-00 | ANODE ANODE | 1 | 1 | |
| 9 | 98780-05015 | SCREW, FLAT HEAD VIS A TETE FRAISEE | 1 | 1 | |
| 10 | 93606-12019 | PIN, DOWEL GOUPILLE | 2 | 2 | |
| 11 | 90119-08M07 | BOLT, WITH WASHER BOULON, AVEC RONDELLE | 6 | 6 | |
| 12 | 63V-41111-00-1S | INNER COVER, EXHAUST PLAQUE, ECHAPPEMENT | 1 | 1 | |
| 13 | 63V-41112-A0 | GASKET, EXHAUST INNER COVER JOINT, PLAQUE D'ECHAPPEMENT | 2 | 2 | |
| 14 | 63V-41113-00-1S | OUTER COVER, EXHAUST COUVERCLE, ECHAPPEMENT | 1 | 1 | |
| 15 | 676-11372-00 | .NIPPLE, HOSE .RACCORD, TUYAU | 1 | 1 | |
| 16 | 90445-09104 | HOSE (L300) DURITE (L300) | 1 | 1 | |
| 17 | 90119-06MA4 | BOLT, WITH WASHER BOULON, AVEC RONDELLE | 13 | 13 | |
| 18 | 6E7-11111-01-1S | HEAD, CYLINDER 1 CULASSE | 1 | 1 | |
| 19 | 63V-11181-A2 | GASKET, CYLINDER HEAD 1 JOINT, DE CULASSE 1 | 1 | 1 | |
| 20 | 90105-07M05 | BOLT, FLANGE BOULON | 11 | 11 | |
| 21 | 682-12413-00-1S | COVER, THERMOSTAT COUVERCLE, THERMOSTAT | 1 | 1 | |
| 22 | 6E5-12411-30 | THERMOSTAT THERMOSTAT | 1 | 1 | |
| 23 | 688-12412-00 | .SEAL, THERMOSTAT .JOINT, THERMOSTAT | 1 | 1 | |
| 24 | 90201-16M03 | WASHER, PLATE RONDELLE, PLATE | 1 | 1 | |
| 25 | 682-12414-A1 | GASKET, COVER JOINT, COUVERCLE | 1 | 1 | |
| 26 | 90119-06MA2 | BOLT, WITH WASHER BOULON, AVEC RONDELLE | 4 | 4 | |
| 27 | 94702-00271 | PLUG, SPARK (NGK BR7HS-10) BOUGIE D'ALLUMAGE(NGK BR7HS-10) | 2 | 2 | |

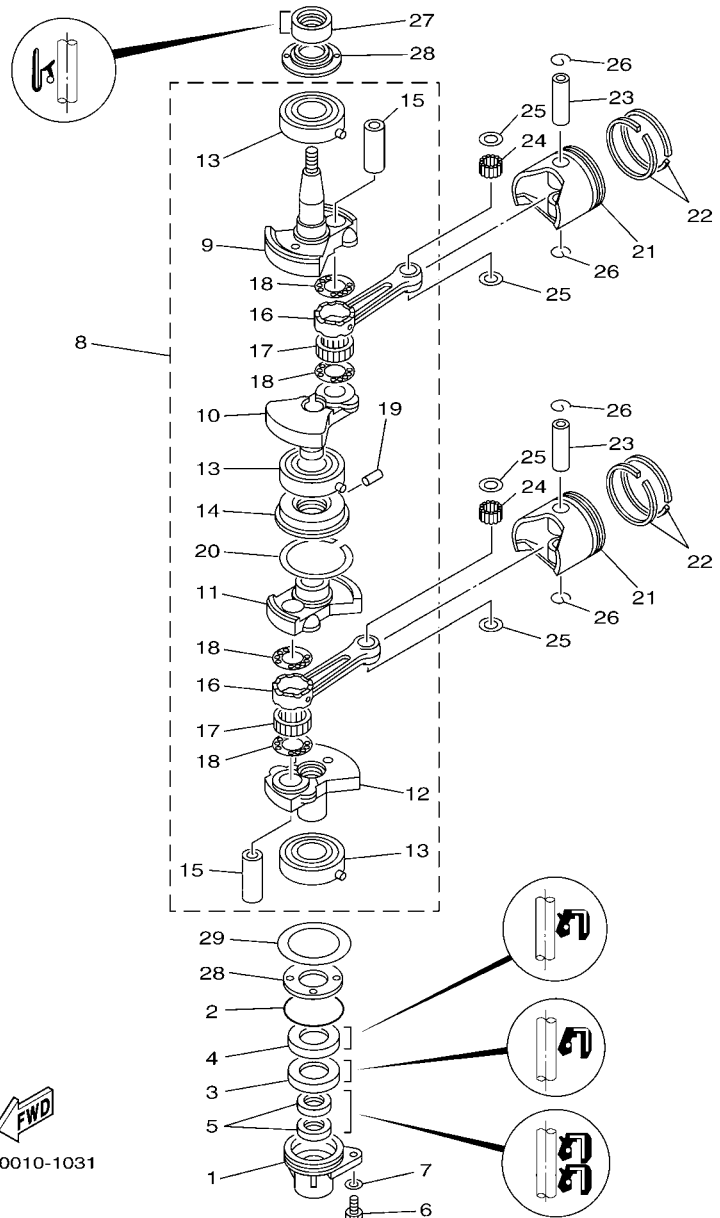
FIG. 3 CRANKSHAFT & PISTON

VILEBREQUIN & PISTON



63V0010-1031

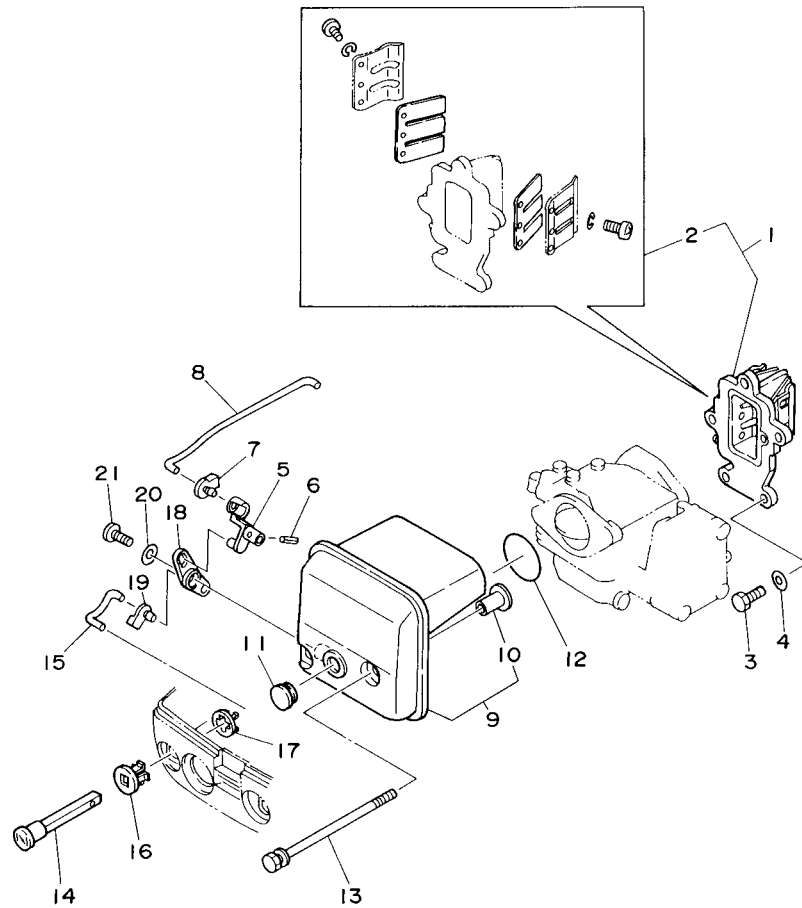
| REF. NO. | PART NO. N° PIECES | DESCRIPTION DESCRIPTION | 63V9 | 63W9 | REMARKS REMARQUES |
|----------|--------------------|--|------|------|-------------------|
| 1 | 63V-15396-01-94 | HOUSING, OIL SEAL LOGEMENT DE JOINT SPY | 1 | 1 | |
| 2 | 93210-46M16 | O-RING JOINT TORIQUE | 1 | 1 | |
| 3 | 93101-25018 | OIL SEAL JOINT SPY | 1 | 1 | |
| 4 | 93102-25M48 | OIL SEAL JOINT SPY | 1 | 1 | |
| 5 | 93101-13018 | OIL SEAL JOINT SPY | 2 | 2 | |
| 6 | 97095-06016 | BOLT BOULON | 1 | 1 | |
| 7 | 92995-06600 | WASHER RONDELLE | 1 | 1 | |
| 8 | 63V-11400-01 | CRANKSHAFT ASSY VILEBREQUIN COMPLET | 1 | 1 | |
| 9 | 63V-11412-00 | .CRANK 1 .MASSLOTTE DE VILEBREQUIN 1 | 1 | 1 | |
| 10 | 63V-11422-00 | .CRANK 2 .MASSLOTTE DE VILEBREQUIN 2 | 1 | 1 | |
| 11 | 63V-11432-00 | .CRANK 3 .MASSLOTTE DE VILEBREQUIN 3 | 1 | 1 | |
| 12 | 63V-11442-00 | .CRANK 4 .MASSLOTTE DE VILEBREQUIN 4 | 1 | 1 | |
| 13 | 93306-205U7 | .BEARING .ROULEMENT | 3 | 3 | |
| 14 | 63V-11515-02 | .SEAL, LABYRINTH 1 .JOINT, LABYRINTHE 1 | 1 | 1 | |
| 15 | 682-11681-00 | .PIN, CRANK 1 .MANETON, VILEBREQUIN 1 | 2 | 2 | |
| 16 | 650-11651-04 | .ROD, CONNECTING .BIELLE NUE | 2 | 2 | |
| 17 | 93310-620V5 | .BEARING .ROULEMENT | 2 | 2 | |
| 18 | 90209-20M23 | .WASHER .RONDELLE | 4 | 4 | |
| 19 | 91609-20008 | .PIN, SPRING .AXE DE RESSORT | 1 | 1 | |
| 20 | 93440-52009 | .CIRCLIP .CIRCLIP | 1 | 1 | |
| 21 | 6E7-11631-00-97 | PISTON (STD) PISTON (STD) | 2 | 2 | |
| | 6E7-11635-00 | PISTON (0.25MM O/S) PISTON (0.25MM O/S) | 2 | 2 | AP AP |
| | 6E7-11636-00 | PISTON (0.50MM O/S) PISTON (0.50MM O/S) | 2 | 2 | AP AP |
| 22 | 682-11610-01 | PISTON RING SET (STD) JEU DE SEGMENTS (STD) | 2 | 2 | |
| | 682-11610-11 | PISTON RING SET (0.25MM O/S) JEU DE SEGMENTS (0.25MM O/S) | 2 | 2 | AP AP |
| | 682-11610-21 | PISTON RING SET (0.50MM O/S) JEU DE SEGMENTS (0.50MM O/S) | 2 | 2 | AP AP |
| 23 | 634-11633-00 | PIN, PISTON AXE, PISTON | 2 | 2 | |



63V0010-1031

FIG. 3 CRANKSHAFT & PISTON VILEBREQUIN & PISTON

| REF. NO. | PART NO. N° PIECES | DESCRIPTION DESCRIPTION | 63V9 | 63M9 | REMARKS REMARQUES |
|----------|--------------------|----------------------------------|------|------|-------------------|
| 24 | 93602-14104 | PIN, DOWEL GOUJON | 50 | 50 | |
| 25 | 90201-14377 | WASHER, PLATE RONDELLE, PLATE | 4 | 4 | |
| 26 | 93450-15023 | CIRCLIP CIRCLIP, TYPE S | 4 | 4 | |
| 27 | 93110-23M00 | OIL SEAL JOINT SPY | 1 | 1 | |
| 28 | 63V-11445-00 | SPACER ENTRETOISE | 2 | 2 | |
| 29 | 90201-46M29 | WASHER, PLATE RONDELLE, PLATE | 1 | 1 | |
| ----- | | | | | |
| ----- | | | | | |
| ----- | | | | | |
| ----- | | | | | |
| ----- | | | | | |
| ----- | | | | | |
| ----- | | | | | |
| ----- | | | | | |
| ----- | | | | | |
| ----- | | | | | |

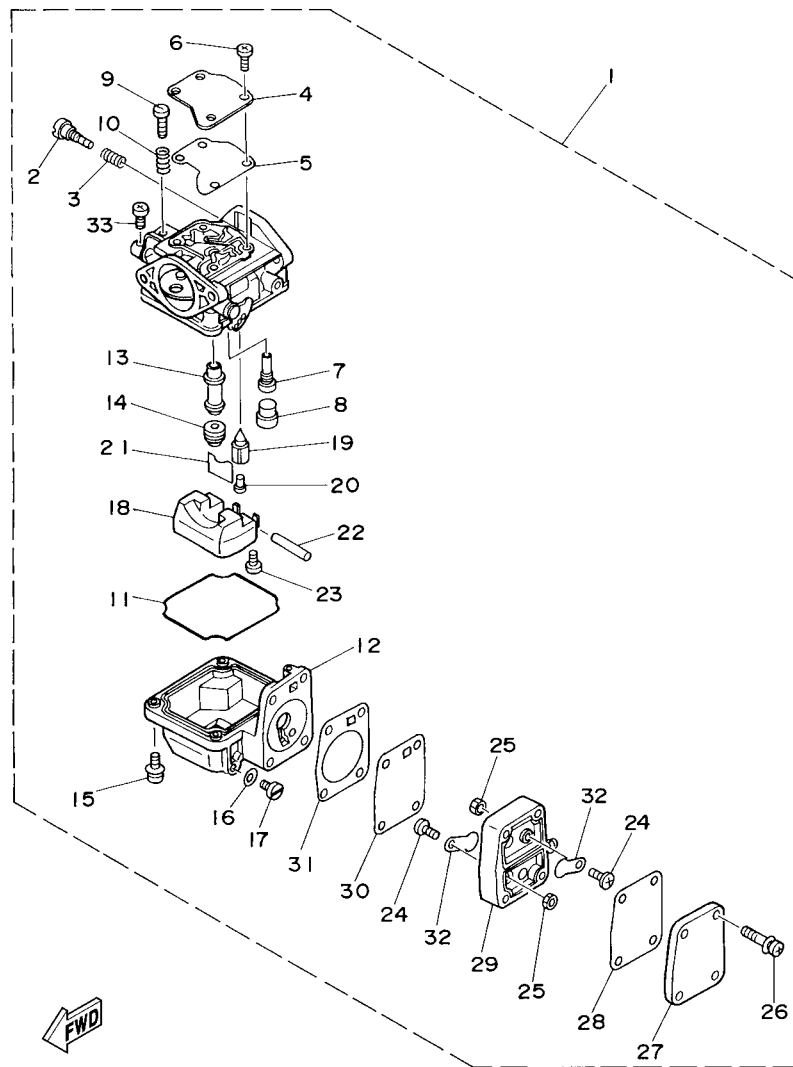


63V0010-5041

FIG. 4 INTAKE

ADMISSION

| REF. NO. | PART NO. N° PIECES | DESCRIPTION DESCRIPTION | 63V9 | 63W9 | REMARKS REMARQUES |
|----------|--------------------|--|------|------|--|
| | | | | | |
| 1 | 63V-13610-10 | REED VALVE ASSY CLAPET COMPLET | 1 | | FOR NOR-L FOR NOR-L 9.9F:FOR NOR-S 9.9F:FOR NOR-S |
| | 63V-13610-00 | REED VALVE ASSY CLAPET COMPLET | 1 | | |
| | 63W-13610-00 | REED VALVE ASSY CLAPET COMPLET | 1 | 1 | |
| 2 | 682-W0004-00 | .REED SET .JEU DE CLAPETS | 1 | 1 | |
| 3 | 97095-06020 | BOLT BOULON | 3 | 3 | |
| 4 | 92995-06600 | WASHER RONDELLE | 3 | 3 | |
| 5 | 63V-41253-00 | LEVER, CHOKE LEVIER | 1 | 1 | |
| 6 | 91690-20010 | PIN, SPRING AGRAFFE | 1 | 1 | |
| 7 | 63V-41262-00 | JOINT, CHOKE LEVER RACCORD, LEVIER DE STARTER | 1 | 1 | |
| 8 | 63V-41257-00 | ROD, CHOKE 2 TRINGLE 2, STARTER | 1 | 1 | |
| 9 | 63V-14440-00 | SILENCER ASSY, INTAKE SIENCIEUX D'ADMISSION | 1 | 1 | |
| 10 | 90387-06M15 | .COLLAR .COLLERETTE | 2 | 2 | |
| 11 | 90480-12M25 | GROMMET PASSE-FIL | 1 | 1 | |
| 12 | 93210-35M86 | O-RING JOINT TORIQUE | 1 | 1 | |
| 13 | 90119-06M94 | BOLT, WITH WASHER BOULON, AVEC RONDELLE | 2 | 2 | |
| 14 | 6H4-41271-01 | KNOB, CHOKE BOUTON DE STARTER | 1 | 1 | |
| 15 | 63V-41256-00 | ROD, CHOKE 1 TRINGLE 1, STARTER | 1 | 1 | |
| 16 | 689-41273-00 | GROMMET PASSE-FIL | 1 | 1 | |
| 17 | 6J8-41274-00 | GROMMET 2 PASSE-FIL 2 | 1 | 1 | |
| 18 | 63V-41252-00 | LEVER, CHOKE 1 LEVIER 1 | 1 | 1 | |
| 19 | 661-41262-02 | JOINT, CHOKE LEVER RACCORD, LEVIER DE STARTER | 1 | 1 | |
| 20 | 90201-05M09 | WASHER, PLATE RONDELLE, PLATE | 1 | 1 | |
| 21 | 90164-05M03 | SCREW, TAPPING VIS, TETE FRAISEE | 1 | 1 | |

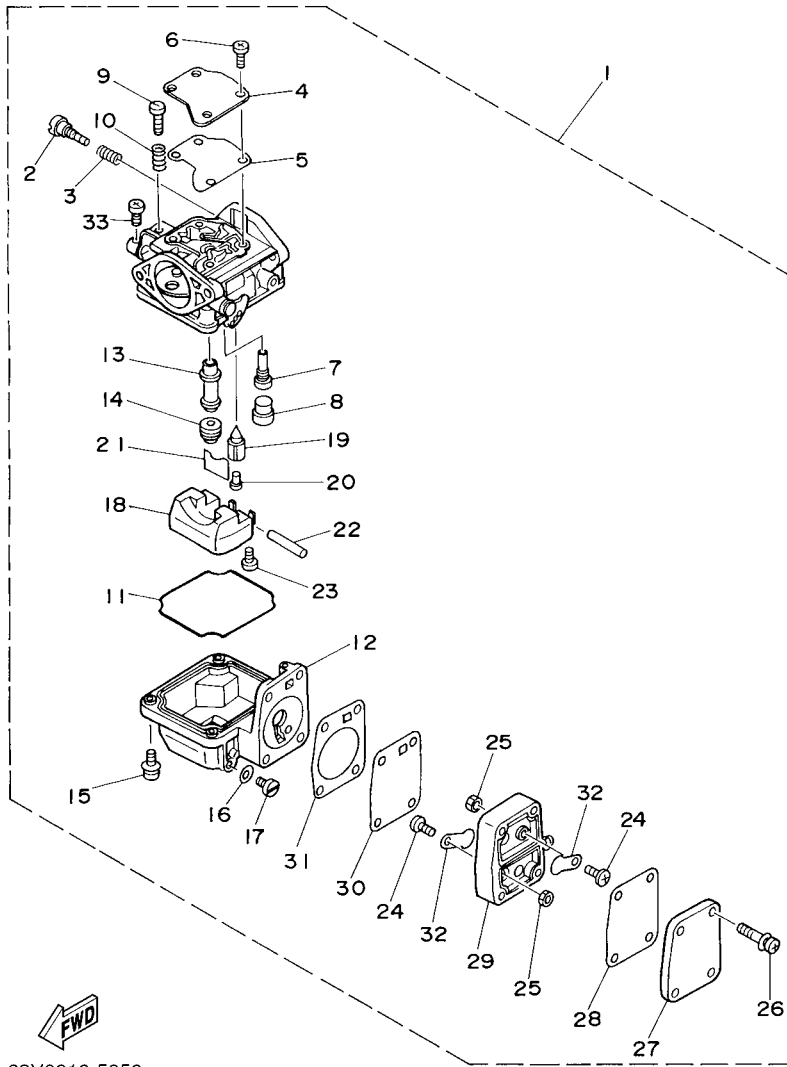


63V0010-5050

FIG. 5 CARBURETOR

CARBURATEUR

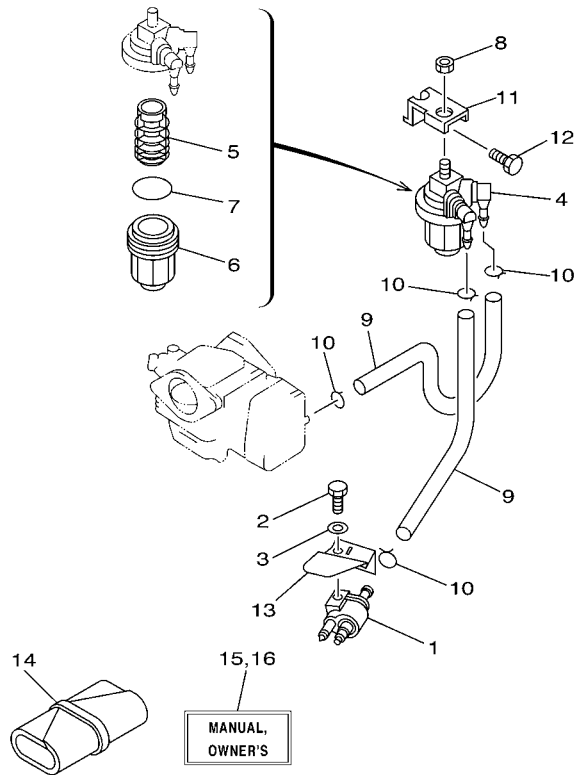
| REF. NO. | PART NO. N° PIECES | DESCRIPTION DESCRIPTION | 63V9 | 63W9 | REMARKS REMARQUES |
|----------|--------------------|---|------|------|-------------------|
| 1 | 63V-14301-00 | CARBURETOR ASSY 1 CARBURATEUR COMPLET 1 | 1 | 1 | |
| 2 | 679-14923-00 | .SCREW, PILOT .VIS, RALENTI | 1 | 1 | |
| 3 | 679-14555-00 | .SPRING .RESSORT | 1 | 1 | |
| 4 | 63V-14527-00 | .PLATE .PLAQUE | 1 | 1 | |
| 5 | 63V-14126-00 | .GASKET JOINT | 1 | 1 | |
| 6 | 97803-04010 | .SCREW, PAN HEAD .VIS, CRUCIFORME | 4 | 4 | |
| 7 | 63V-14948-06 | .JET (#48) .GICLEUR (#48) | 1 | 1 | |
| 8 | 679-14966-00 | .RUBBER CAP .CAOUTCHOUC CASQUILLO | 1 | 1 | |
| 9 | 63V-14523-00 | .SCREW, STOP .VIS, BUTEE | 1 | 1 | |
| 10 | 90501-10326 | .SPRING, COMPRESSION .RESSORT, COMPRESSION | 1 | 1 | |
| 11 | 63V-14984-00 | .GASKET, FLOAT CHAMBER JOINT, CUVE DE FLOTTEUR | 1 | 1 | |
| 12 | 63V-14980-00 | .BODY, FLOAT CHAMBER .CORPS, CUVE DE FLOTTEUR | 1 | 1 | |
| 13 | 63V-14947-00 | .JET, NEEDLE .GICLEUR DE STARTER | 1 | 1 | |
| 14 | 676-14943-29 | .JET, MAIN (#110) .GICLEUR, PRINCIPAL (#110) | 1 | 1 | |
| 15 | 97980-04114 | .SCREW, WITH WASHER .VIS, AVEC RONDELLE | 4 | 4 | |
| 16 | 65W-14398-00 | .GASKET JOINT | 1 | 1 | |
| 17 | 6G1-14992-00 | .SCREW, DRAIN .BOUCHON, PURGE | 1 | 1 | |
| 18 | 63V-14985-00 | .FLOAT .FLOTTEUR | 1 | 1 | |
| 19 | 6G1-14546-01 | .VALVE, NEEDLE .POINTEAU | 1 | 1 | |
| 20 | 676-14186-00 | .PIN, FLOAT .AXE, FLOTTEUR | 1 | 1 | |
| 21 | 663-14159-00 | .CLIP JONC | 1 | 1 | |
| 22 | 6H4-14548-00 | .PIN, FLOAT ARM .AXE, BRAS DE FLOTTEUR | 1 | 1 | |
| 23 | 98580-04008 | .SCREW, PAN HEAD .VIS | 1 | 1 | |
| 24 | 98980-03006 | .SCREW, BIND .VIS, DE PRESSION | 2 | 2 | |
| 25 | 95380-03600 | .NUT .ECROU | 2 | 2 | |
| 26 | 97980-04125 | .SCREW, WITH WASHER .VIS, AVEC RONDELLE | 4 | 4 | |
| 27 | 6G1-24452-00 | .COVER .COUVERCLE | 1 | 1 | |




 63V0010-5050

FIG. 5 CARBURETOR CARBURATEUR

| REF. NO. | PART NO. N° PIECES | DESCRIPTION DESCRIPTION | 63V9 | 63W9 | | | REMARKS REMARQUES |
|----------|--------------------|---|------|------|--|--|-------------------|
| | | | | | | | |
| 28 | 63V-24411-00 | .DIAPHRAGM .DIAPHRAGME | 1 | 1 | | | |
| 29 | 6G1-24412-01 | .BODY 1 .CORPS 1 | 1 | 1 | | | |
| 30 | 6G1-24411-00 | .DIAPHRAGM .DIAPHRAGME | 1 | 1 | | | |
| 31 | 6G1-24431-01 | .GASKET, FUEL PUMP 1 .JOINT 1 DE POMPE A ESSENCE | 1 | 1 | | | |
| 32 | 6L5-24421-00 | .VALVE, CHECK .SOUPAPE, RETENUE | 2 | 2 | | | |
| 33 | 98580-04006 | .SCREW, PAN HEAD .VIS | 1 | 1 | | | |
| | | | | | | | |
| | | | | | | | |
| | | | | | | | |
| | | | | | | | |
| | | | | | | | |
| | | | | | | | |
| | | | | | | | |
| | | | | | | | |
| | | | | | | | |
| | | | | | | | |

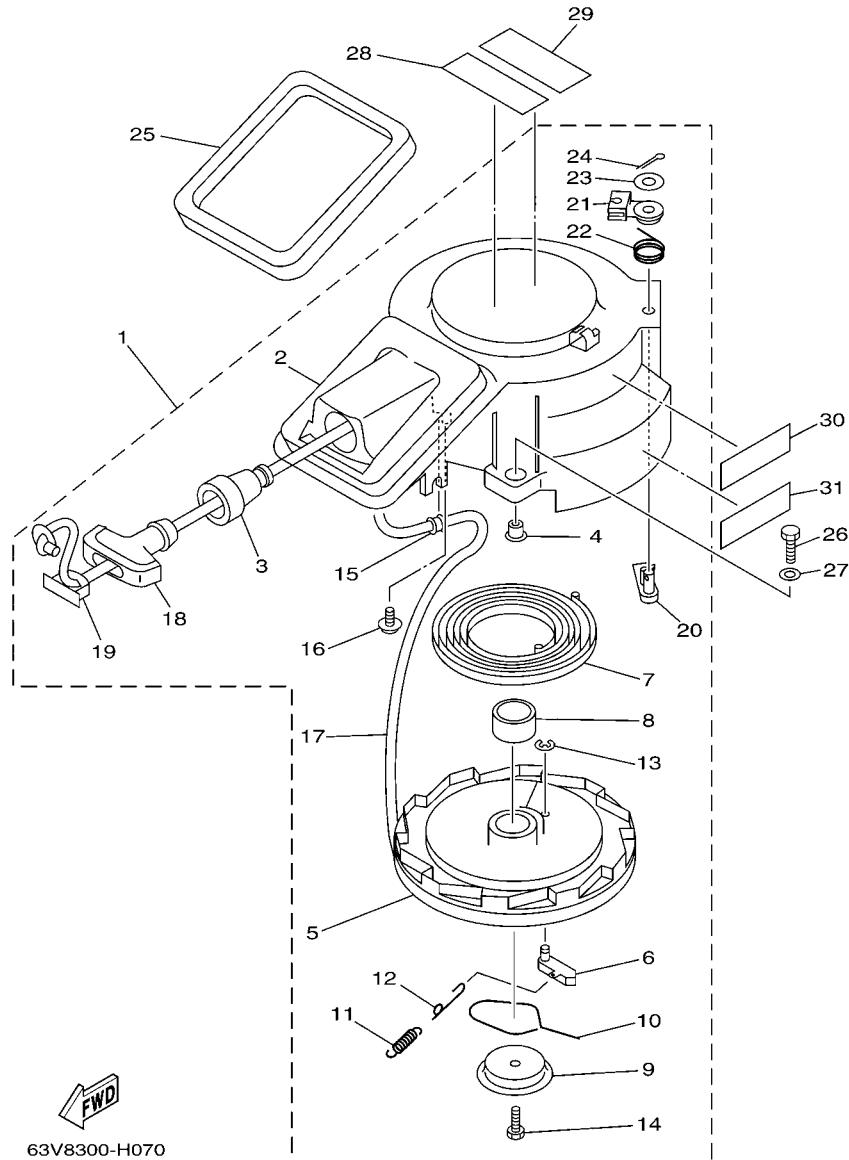


FWD
63V2300-3060

FIG. 6 FUEL

CARBURANT

| REF. NO. | PART NO. N° PIECES | DESCRIPTION DESCRIPTION | 63V9 | 63W9 | REMARKS REMARQUES |
|----------|--------------------|---|------|------|--------------------|
| 1 | 6G1-24304-02 | FUEL PIPE JOINT COMP. 1 DURITE RACCORDEMT. A ESSENCE | 1 | 1 | |
| 2 | 97095-06020 | BOLT BOULON | 1 | 1 | |
| 3 | 92995-06600 | WASHER RONDELLE | 1 | 1 | |
| 4 | 61N-24560-00 | FILTER ASSY ENS FILTRE | 1 | 1 | |
| 5 | 61N-24563-00 | .ELEMENT, FILTER .ELEMENT, FILTRE | 1 | 1 | |
| 6 | 61N-24521-00 | .CUP, FILTER .CUVETTE, FILTRE | 1 | 1 | |
| 7 | 93210-32738 | .O-RING .JOINT TORIQUE | 1 | 1 | |
| 8 | 95380-08600 | NUT ECROU | 1 | 1 | |
| 9 | 90445-09M00 | HOSE (L180) DURITE (L180) | 2 | 2 | |
| 10 | 90467-08004 | CLIP JONC | 4 | 4 | |
| 11 | 682-24566-01 | BRACKET, FILTER SUPPORT, FILTRE | 1 | 1 | |
| 12 | 97013-06010 | BOLT BOULON | 1 | 1 | |
| 13 | 63V-24396-01 | PLATE PLAQUE | 1 | 1 | |
| 14 | 656-W2810-02 | TOOL KIT TROUSSE A OUTILS | 1 | 1 | |
| 15 | 63V-28199-7B-E0 | MANUAL, OWNER'S MANUEL D'UTILISATION | 1 | 1 | UR (E) UR (E) |
| 16 | 63V-28199-7B-F0 | MANUAL, OWNER'S MANUEL D'UTILISATION | 1 | 1 | UR (F) UR (F) |
| | 63V-28199-7B-S0 | MANUAL, OWNER'S MANUEL D'UTILISATION | 1 | 1 | UR (ES) UR (ES) |
| | 63V-28199-7B-G0 | MANUAL, OWNER'S MANUEL D'UTILISATION | 1 | 1 | UR (D) UR (D) |
| | 63V-28199-7B-D0 | MANUAL, OWNER'S MANUEL D'UTILISATION | 1 | 1 | UR (NL) UR (NL) |
| | 63V-28199-7B-H0 | MANUAL, OWNER'S MANUEL D'UTILISATION | 1 | 1 | UR (I) UR (I) |
| | 63V-28199-8C-K0 | MANUAL, OWNER'S MANUEL D'UTILISATION | 1 | 1 | UR (DK) UR (DK) |
| | 63V-28199-8C-R0 | MANUAL, OWNER'S MANUEL D'UTILISATION | 1 | 1 | UR (GR) UR (GR) |
| | 63V-28199-8C-P0 | MANUAL, OWNER'S MANUEL D'UTILISATION | 1 | 1 | UR (P) UR (P) |
| | 63V-28199-8C-N0 | MANUAL, OWNER'S MANUEL D'UTILISATION | 1 | 1 | UR (N) UR (N) |
| | 63V-28199-8C-M0 | MANUAL, OWNER'S MANUEL D'UTILISATION | 1 | 1 | UR (S) UR (S) |
| | 63V-28199-8C-L0 | MANUAL, OWNER'S MANUEL D'UTILISATION | 1 | 1 | UR (SF) UR (SF) |



63V8300-H070

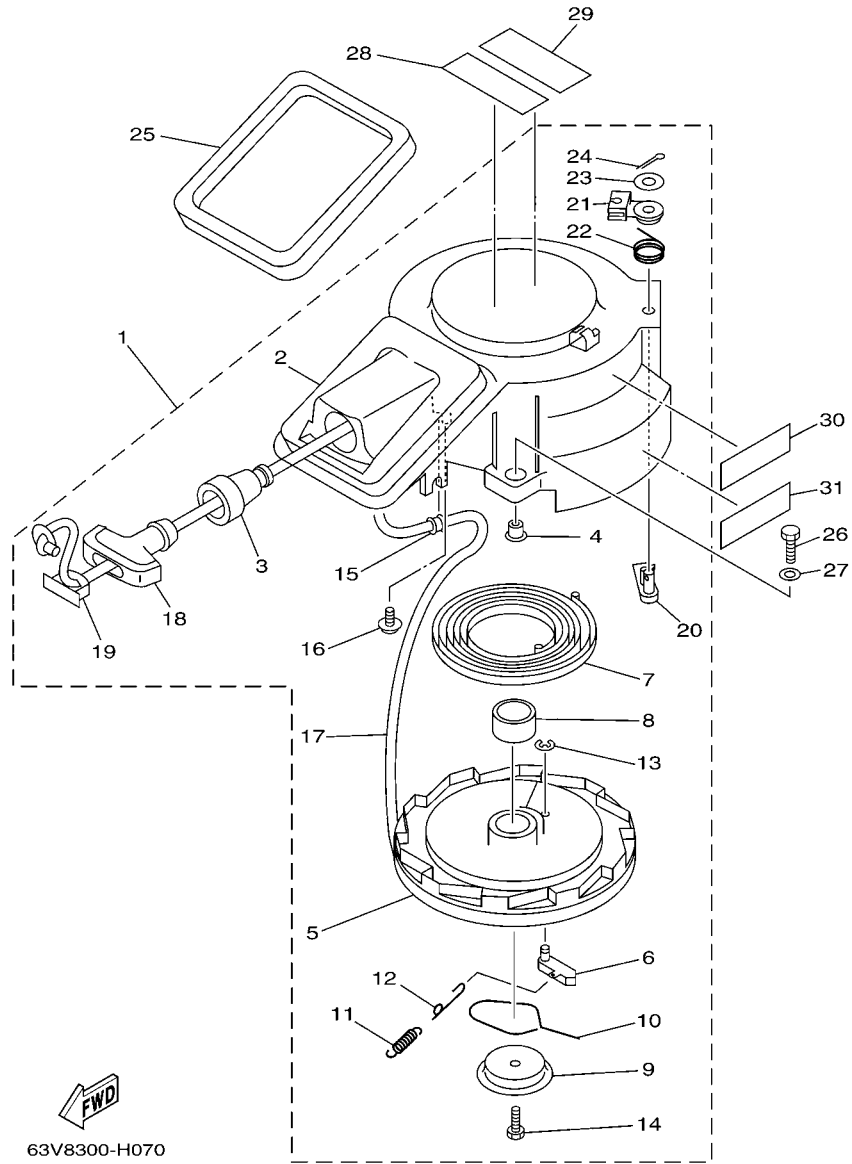
*1: CUT FROM 50M ROLLS, PART NO. 90890-44373, CUTTING LENGTH 1.8M

*1:A PRELEVER SUR BOBINE 50M ,REFERENCE 90890-44373, LONGUEUR DE COUPE 1.8M

FIG. 7 STARTER

DEMARREUR

| REF. NO. | PART NO. N° PIECES | DESCRIPTION DESCRIPTION | 63V9 | 63M9 | | REMARKS REMARQUES |
|----------|--------------------|---|------|------|--|--|
| 1 | 63V-15710-13 | STARTER ASSY DEMARREUR COMPLET | 1 | 1 | | WITH SAFETY DEVICE WITH SAFETY DEVICE |
| 2 | 63V-15711-02 | .CASE, STARTER .CARTER DE DEMARREUR | 1 | 1 | | |
| 3 | 63V-15795-01 | .GUIDE, ROPE .GUIDE DE CABLE | 1 | 1 | | |
| 4 | 90387-06M05 | .COLLAR .COLLERETTE | 3 | 3 | | |
| 5 | 63V-15714-00 | .DRUM, SHEAVE .TAMBOUR, POULIE | 1 | 1 | | |
| 6 | 63V-15741-00 | .PAWL, DRIVE .CLIQUET, ENTRAINEMENT | 1 | 1 | | |
| 7 | 63V-15713-00 | .SPRING, STARTER .RESSORT DE DEMARREUR | 1 | 1 | | |
| 8 | 63V-15753-00 | .BUSH .CHARBON | 1 | 1 | | |
| 9 | 63V-15716-00 | .PLATE, DRIVE .PLAQUE, ENTRAINEMENT | 1 | 1 | | |
| 10 | 63V-15705-01 | .SPRING, DRIVE PAWL .RESSORT DE CLIQUET | 1 | 1 | | |
| 11 | 63V-15767-01 | .SPRING .RESSORT | 1 | 1 | | |
| 12 | 63V-15784-01 | .SPRING, RETURN .RESSORT, RAPPEL | 1 | 1 | | |
| 13 | 63V-15744-00 | .CIRCLIP .CIRCLIP | 1 | 1 | | |
| 14 | 63V-15768-00 | .BOLT .BOULON | 1 | 1 | | |
| 15 | 63V-15764-00 | .COLLAR 1 .COLLERETTE 1 | 1 | 1 | | |
| 16 | 63V-15793-00 | .SCREW .VIS | 1 | 1 | | |
| 17 | * | .WIRE, STARTER (L:1800MM) .CABLE DE DEMARREUR (L:1800MM) | 1 | 1 | | *1 *1 |
| 18 | 6G1-15755-00 | .HANDLE, STARTER .POIGNEE, DE DEMARREUR | 1 | 1 | | |
| 19 | 6G1-15779-00 | .COVER .COUVERCLE | 1 | 1 | | |
| 20 | 63V-15794-00 | .STOPPER .BUTEE | 1 | 1 | | |
| 21 | 63V-15748-00 | .PLUNGER, STARTER STOP .PLONGEUR, BOUTE DE DEMAR | 1 | 1 | | |
| 22 | 63V-15734-00 | .SPRING, RETURN .RESSORT, RAPPEL | 1 | 1 | | |
| 23 | 63V-15726-00 | .WASHER, FLAT .RONDELLE, PLATE | 1 | 1 | | |
| 24 | 91490-16018 | .PIN, COTTER .GOUPILLE | 1 | 1 | | |
| 25 | 63V-15762-00 | SEAL, RUBBER 2 JOINT CAOUTCHOUC 2 | 1 | 1 | | |
| 26 | 97095-06020 | BOLT BOULON | 3 | 3 | | |
| 27 | 92995-06600 | WASHER RONDELLE | 3 | 3 | | |



63V8300-H070

*1: CUT FROM 50M ROLLS, PART NO. 90890-44373, CUTTING LENGTH 1.8M

*1:A PRELEVER SUR BOBINE 50M ,REFERENCE 90890-44373,
LONGUEUR DE COUPE 1.8M

FIG. 7 STARTER

DEMARREUR

| REF. NO. | PART NO. N° PIECES | DESCRIPTION DESCRIPTION | 63V9 | 63M9 | REMARKS REMARQUES |
|----------|--------------------|--|------|------|-------------------|
| 28 | 6AH-81995-40 | LABEL, WARNING ETIQUETTE, AVERTISSEMENT | 1 | 1 | |
| 29 | 6AH-81995-50 | LABEL, WARNING ETIQUETTE, AVERTISSEMENT | 1 | 1 | |
| 30 | 6AH-81994-40 | LABEL, SAFETY ETIQUETTE, SECURITE | 1 | 1 | |
| 31 | 6AH-81994-50 | LABEL, SAFETY ETIQUETTE, SECURITE | 1 | 1 | |
| ----- | | | | | |
| ----- | | | | | |
| ----- | | | | | |
| ----- | | | | | |
| ----- | | | | | |
| ----- | | | | | |
| ----- | | | | | |
| ----- | | | | | |

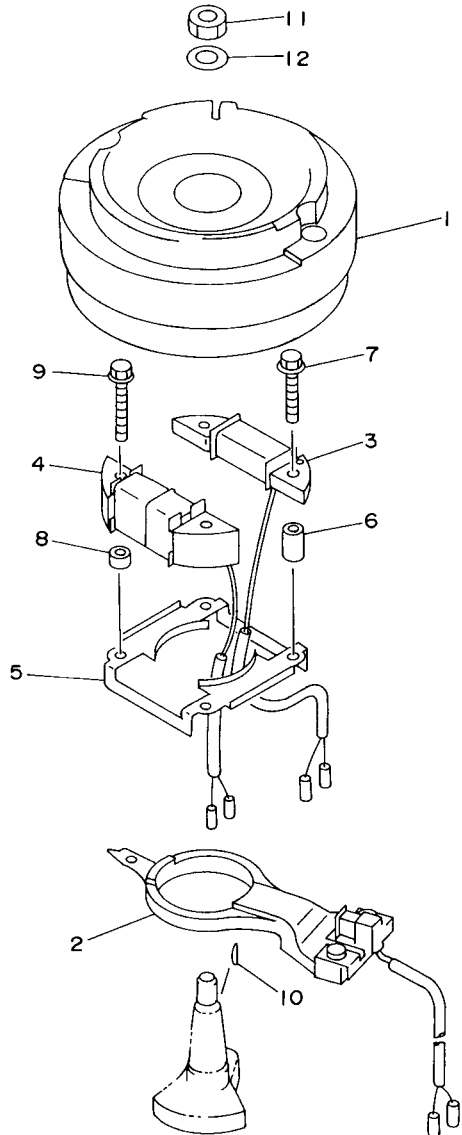


FIG. 8 GENERATOR

GENERATRICE

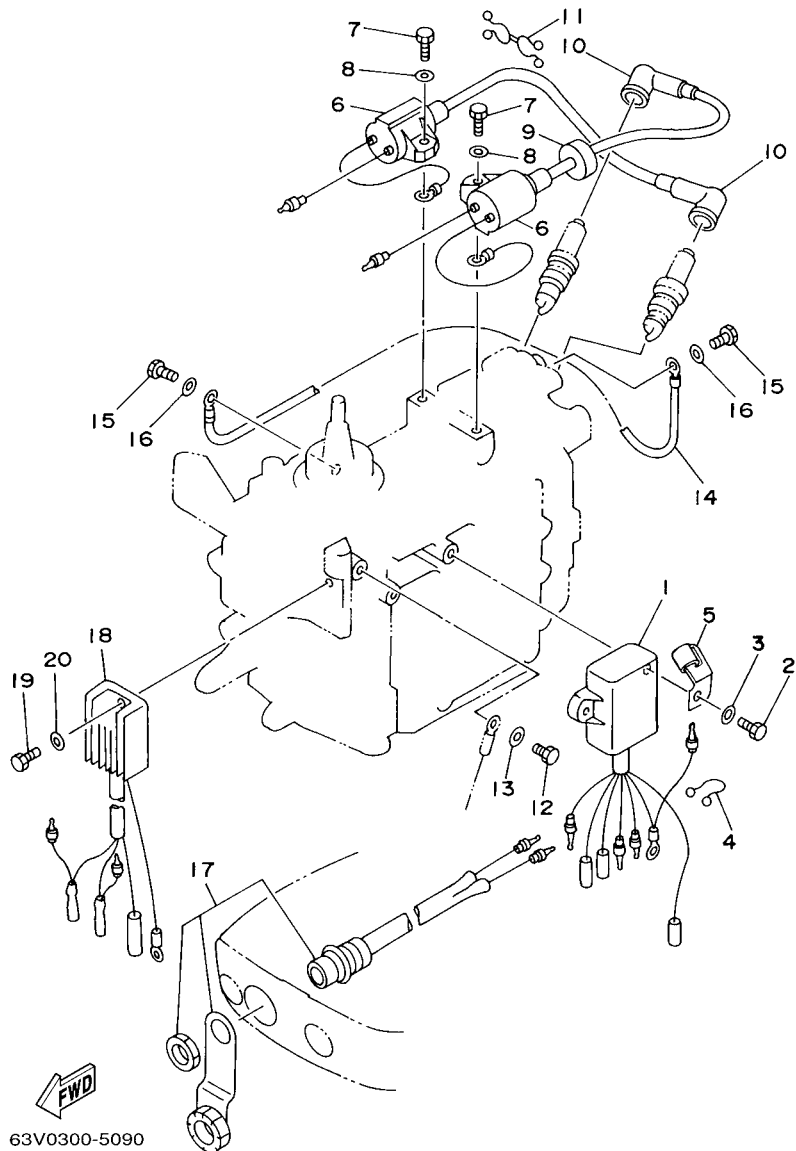
| REF. NO. | PART NO. N° PIECES | DESCRIPTION DESCRIPTION | 63V9 | 63M9 | | REMARKS REMARQUES |
|----------|--------------------|---|------|------|--|-------------------|
| 1 | 63V-85550-11 | ROTOR ASSY ROTOR CPLT | 1 | 1 | | |
| 2 | 63V-85580-01 | COIL, PULSER BOBINE, PULSEUR | 1 | 1 | | |
| 3 | 63V-85520-01 | COIL, CHARGE BOBINE, CHARGE | 1 | 1 | | |
| 4 | 63V-85533-00 | COIL, LIGHTING BOBINE, ECLAIRAGE | 1 | 1 | | |
| 5 | 63V-41611-00 | RETAINER, MAGNETO BASE FLASQUE, PLATEAU D'AVANCE | 1 | 1 | | |
| 6 | 90387-06M53 | COLLAR COLLERETTE | 2 | 2 | | |
| 7 | 90105-06M68 | BOLT, FLANGE BOULON | 2 | 2 | | |
| 8 | 90387-06M24 | COLLAR COLLERETTE | 2 | 2 | | |
| 9 | 90105-06M69 | BOLT, FLANGE BOULON | 2 | 2 | | |
| 10 | 90280-05013 | KEY, WOODRUFF CLAVETTE, DEMI-LUNE | 1 | 1 | | |
| 11 | 90170-12066 | NUT ECROU | 1 | 1 | | |
| 12 | 90201-12472 | WASHER, PLATE RONDELLE, PLATE | 1 | 1 | | |
| | | | | | | |
| | | | | | | |
| | | | | | | |
| | | | | | | |
| | | | | | | |


63V0010-5080

FIG. 9 ELECTRICAL

ELECTRIQUE

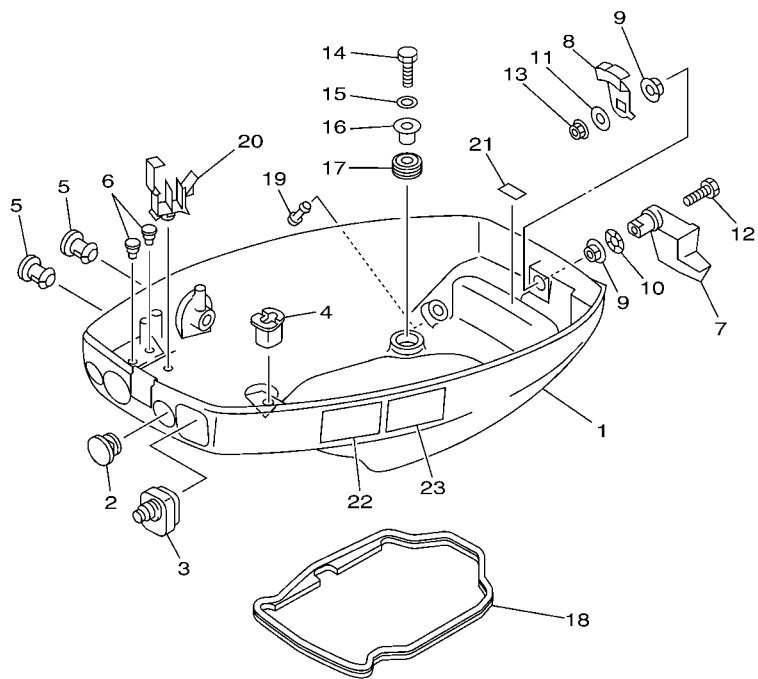
| REF. NO. | PART NO. N° PIECES | DESCRIPTION DESCRIPTION | 63V9 | 63M9 | REMARKS REMARQUES |
|----------|--------------------|--|------|------|-------------------|
| 1 | 63V-85540-01 | C.D.I. UNIT ASSY BLOC C.D.I. | 1 | 1 | |
| 2 | 97095-06020 | BOLT BOULON | 2 | 2 | |
| 3 | 92995-06600 | WASHER RONDELLE | 2 | 2 | |
| 4 | 90464-15M11 | CLAMP BRIDE | 1 | 1 | |
| 5 | 90465-08M61 | CLAMP BRIDE | 1 | 1 | |
| 6 | 63V-85570-00 | IGNITION COIL ASSY BOBINE D'ALLUMAGE (ENS.) | 2 | 2 | |
| 7 | 97095-06018 | BOLT BOULON | 2 | 2 | |
| 8 | 92995-06600 | WASHER RONDELLE | 2 | 2 | |
| 9 | 90480-25161 | GROMMET PASSE-FIL | 1 | 1 | |
| 10 | 6E3-82370-21 | PLUG CAP ASSY ANTIPARASITE | 2 | 2 | |
| 11 | 90464-08M02 | CLAMP BRIDE | 1 | 1 | |
| 12 | 97095-06012 | BOLT BOULON | 1 | 1 | |
| 13 | 92995-06600 | WASHER RONDELLE | 1 | 1 | |
| 14 | 662-82519-00 | WIRE, EARTH LEAD FIL, MASSE | 1 | 1 | |
| 15 | 97095-06012 | BOLT BOULON | 2 | 2 | |
| 16 | 92995-06600 | WASHER RONDELLE | 2 | 2 | |
| 17 | 682-84381-00 | 2P CONCENT RALLONGE 2 FILS | 1 | 1 | |
| 18 | 6J8-81960-00 | RECTIFIER & REGULATOR ASSY REDRESSEUR REGULATEUR CPLT | 1 | 1 | |
| 19 | 97095-06016 | BOLT BOULON | 1 | 1 | |
| 20 | 92995-06600 | WASHER RONDELLE | 1 | 1 | |



63V0300-5090

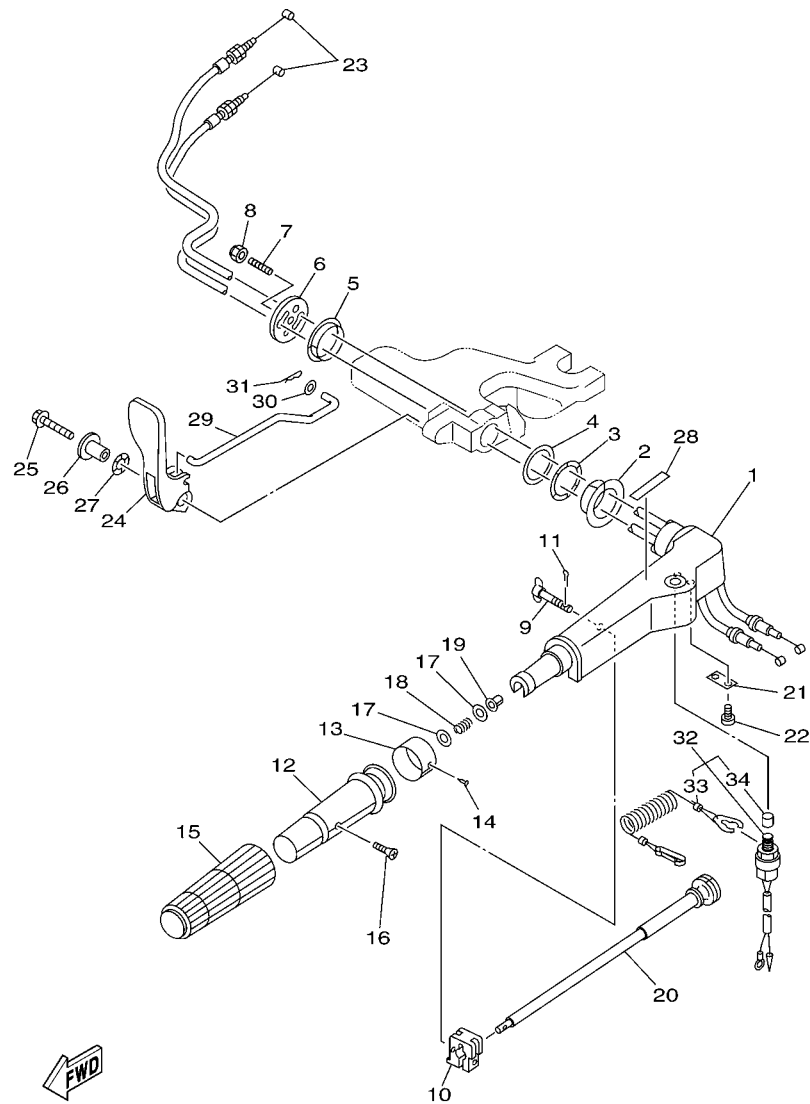
FIG. 10 BOTTOM COWLING

CAPOT INFERIEUR



 63V8300-H100

| REF. NO. | PART NO. N° PIECES | DESCRIPTION DESCRIPTION | 63V9 | 63W9 | | | REMARKS REMARQUES |
|----------|--------------------|--|------|------|--|--|-------------------|
| | | | | | | | |
| 1 | 63V-42711-03-4D | COWLING, BOTTOM 1 CUVETTE 1 | 1 | 1 | | | |
| 2 | 682-42725-02 | GROMMET PASSE-FIL | 1 | 1 | | | |
| 3 | 63V-42726-00 | GROMMET PASSE-FIL | 1 | 1 | | | |
| 4 | 682-42727-00 | GROMMET PASSE-FIL | 1 | 1 | | | |
| 5 | 6G1-42748-00 | GROMMET PASSE-FIL | 2 | 2 | | | |
| 6 | 90480-06M19 | GROMMET PASSE-FIL | 2 | 2 | | | |
| 7 | 63V-42815-01-4D | LEVER, CLAMP LEVIER, PRESSE | 1 | 1 | | | |
| 8 | 6E7-42816-00 | LEVER, CLAMP LEVIER, PRESSE | 1 | 1 | | | |
| 9 | 90386-12M45 | BUSH DOUILLE | 2 | 2 | | | |
| 10 | 90206-12052 | WASHER, WAVE RONDELLE, ONDULEE | 1 | 1 | | | |
| 11 | 90201-06068 | WASHER, PLATE RONDELLE, PLATE | 1 | 1 | | | |
| 12 | 97095-06025 | BOLT BOULON | 1 | 1 | | | |
| 13 | 95380-06700 | NUT ECROU | 1 | 1 | | | |
| 14 | 97095-06025 | BOLT BOULON | 4 | 4 | | | |
| 15 | 92995-06600 | WASHER RONDELLE | 4 | 4 | | | |
| 16 | 90387-06034 | COLLAR COLLERETTE | 4 | 4 | | | |
| 17 | 90480-15M31 | GROMMET PASSE-FIL | 4 | 4 | | | |
| 18 | 63V-42716-02 | RUBBER, SEAL 1 JOINT EN CAOUTCHOUC 1 | 1 | 1 | | | |
| 19 | 6BL-44391-00 | NIPPLE, HOSE RACCORD D'ESSENCE | 1 | 1 | | | |
| 20 | 90465-25M57 | CLAMP BRIDE | 1 | 1 | | | |
| 21 | 6E7-42791-10 | MARK 1 ETIQUETTE 1 | 1 | 1 | | | |
| 22 | 6AH-42794-40 | LABEL, WARNING (GENERAL) ETIQUETTE, AVERTISSEMENT | 1 | 1 | | | |
| 23 | 6AH-42794-50 | LABEL, WARNING (GENERAL) ETIQUETTE, AVERTISSEMENT | 1 | 1 | | | |

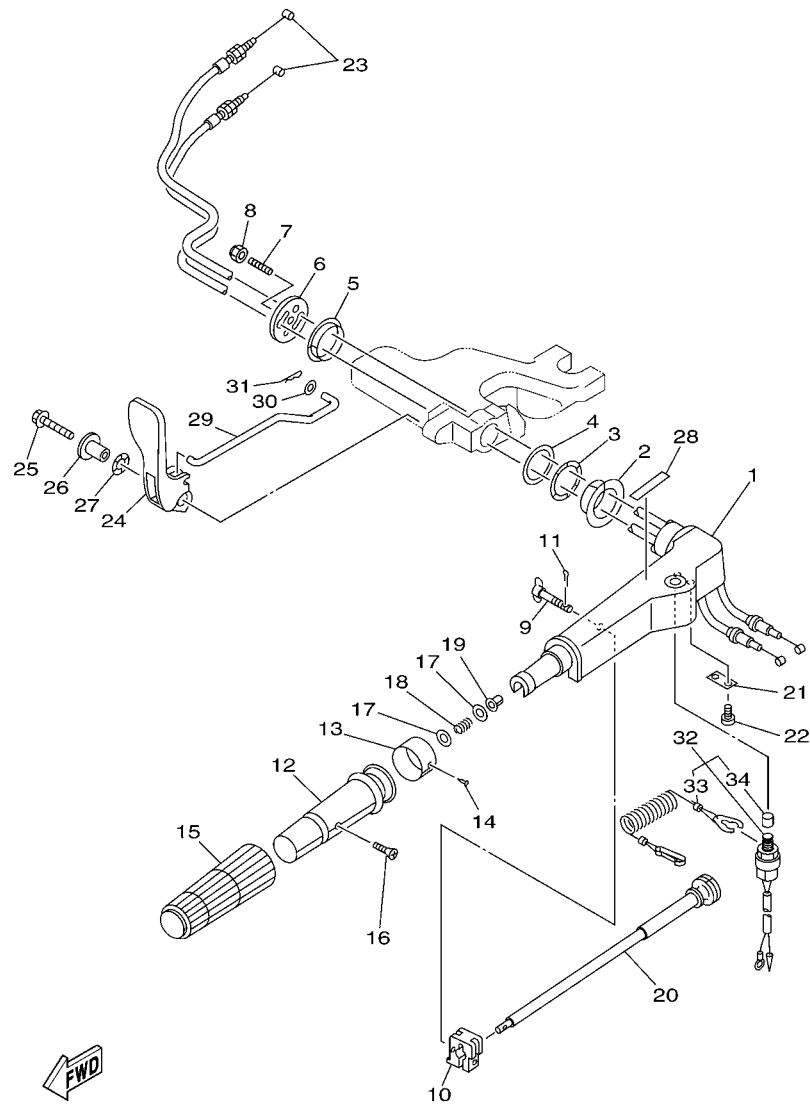


63V8110-H120

FIG. 11 STEERING

DIRECTION

| REF. NO. | PART NO. N° PIECES | DESCRIPTION DESCRIPTION | DIRECTION | | REMARKS REMARQUES |
|----------|--------------------|---|-----------|------|-------------------|
| | | | 63V9 | 63M9 | |
| 1 | 63V-42111-01-4D | HANDLE, STEERING POIGNEE | 1 | 1 | |
| 2 | 90386-34M97 | BUSH DOUILLE | 1 | 1 | |
| 3 | 90206-36M21 | WASHER, WAVE RONDELLE, ONDULEE | 1 | 1 | |
| 4 | 90202-36M55 | WASHER, PLATE RONDELLE, PLATE | 1 | 1 | |
| 5 | 90386-33M96 | BUSH DOUILLE | 1 | 1 | |
| 6 | 6G1-42131-02 | COVER, HANDLE STEERING COUVERCLE | 1 | 1 | |
| 7 | 90116-08016 | BOLT, STUD GOIJON | 1 | 1 | |
| 8 | 90185-08057 | NUT, SELF-LOCKING ECROU, AUTO-BLOQUANT | 1 | 1 | |
| 9 | 6G1-42125-01 | BOLT, FRICTION ADJUSTING BOULON | 1 | 1 | |
| 10 | 6G1-42126-00 | FRICTION, STEERING HANDLE GRIP CUVETTE, POIGNEE DE DIRECTION | 1 | 1 | |
| 11 | 91490-16010 | PIN, COTTER GOUPILLE | 1 | 1 | |
| 12 | 664-42119-00 | GRIP, STEERING HANDLE POIGNEE, BARRE FRANCHE | 1 | 1 | |
| 13 | 6H2-42137-00 | INDICATOR, THROTTLE INDICATEUR, ACCELERATION | 1 | 1 | |
| 14 | 90269-02M09 | RIVET RIVET | 1 | 1 | |
| 15 | 6G1-42177-00 | RUBBER, HANDLE CAOUTCHOUC, POIGNEE | 1 | 1 | |
| 16 | 90149-05M13 | SCREW VIS | 1 | 1 | |
| 17 | 90201-10M02 | WASHER, PLATE RONDELLE, PLATE | 2 | 2 | |
| 18 | 90501-23215 | SPRING, COMPRESSION RESSORT, COMPRESSION | 1 | 1 | |
| 19 | 90386-08032 | BUSH DOUILLE | 1 | 1 | |
| 20 | 6G1-42138-01 | LEVER, THROTTLE LEVIER, ACCELERATEUR | 1 | 1 | |
| 21 | 6E0-42159-02 | STAY SUPPORT | 1 | 1 | |
| 22 | 97885-05012 | SCREW, PAN HEAD VIS, A ENCOCHE | 2 | 2 | |
| 23 | 6L2-26301-01 | THROTTLE CABLE ASSY CABLE D'ACCELERATEUR | 2 | 2 | |
| 24 | 63V-44111-02 | HANDLE, GEAR SHIFT POIGNEE, LEVIER D'EMBRAYAGE | 1 | 1 | |
| 25 | 90119-06M05 | BOLT, WITH WASHER BOULON, AVEC RONDELLE | 1 | 1 | |
| 26 | 90387-06M86 | COLLAR COLLERETTE | 1 | 1 | |
| 27 | 90206-15M18 | WASHER, WAVE RONDELLE, ONDULEE | 1 | 1 | |

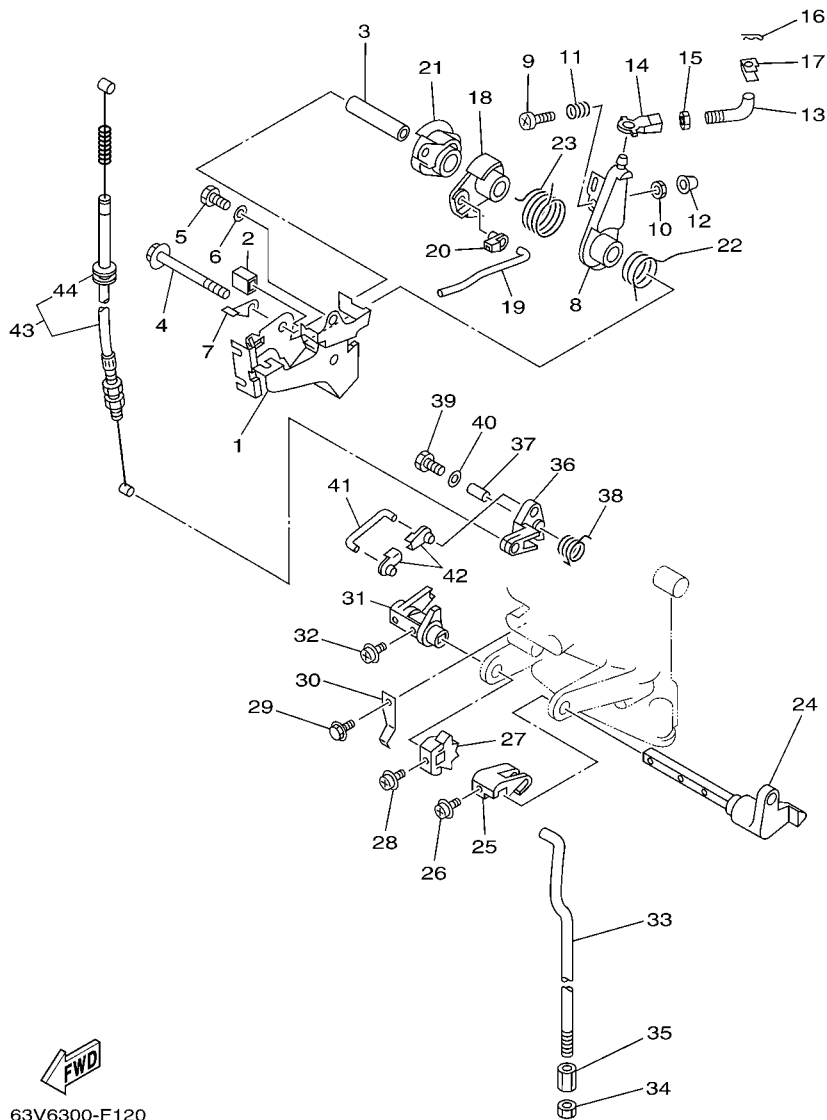


63V8110-H120

FIG. 11 STEERING

DIRECTION

| REF. NO. | PART NO. N° PIECES | DESCRIPTION DESCRIPTION | DIRECTION | | REMARKS REMARQUES |
|----------|--------------------|---|-----------|------|-------------------|
| | | | 63V9 | 63W9 | |
| 28 | 6E0-44191-11 | INDICATOR, SHIFT ETIQUETTE, EMBRAYAGE | 1 | 1 | |
| 29 | 63V-44124-02 | LINK, SHIFT ROD BIELLETTTE | 1 | 1 | |
| 30 | 90202-06009 | WASHER, PLATE RONDELLE, PLATE | 1 | 1 | |
| 31 | 90468-18008 | CLIP JONC | 1 | 1 | |
| 32 | 65W-82575-01 | ENGINE STOP SWITCH ASSY COUPE CIRCUIT CPLT | 1 | 1 | |
| 33 | 682-82556-00 | .LANYARD, STOP SWITCH .PLAQUETTE | 1 | 1 | |
| 34 | 689-8257Y-00 | .CAP .COUVERCLE | 1 | 1 | |
| ----- | | | | | |
| ----- | | | | | |
| ----- | | | | | |
| ----- | | | | | |
| ----- | | | | | |
| ----- | | | | | |
| ----- | | | | | |
| ----- | | | | | |
| ----- | | | | | |
| ----- | | | | | |

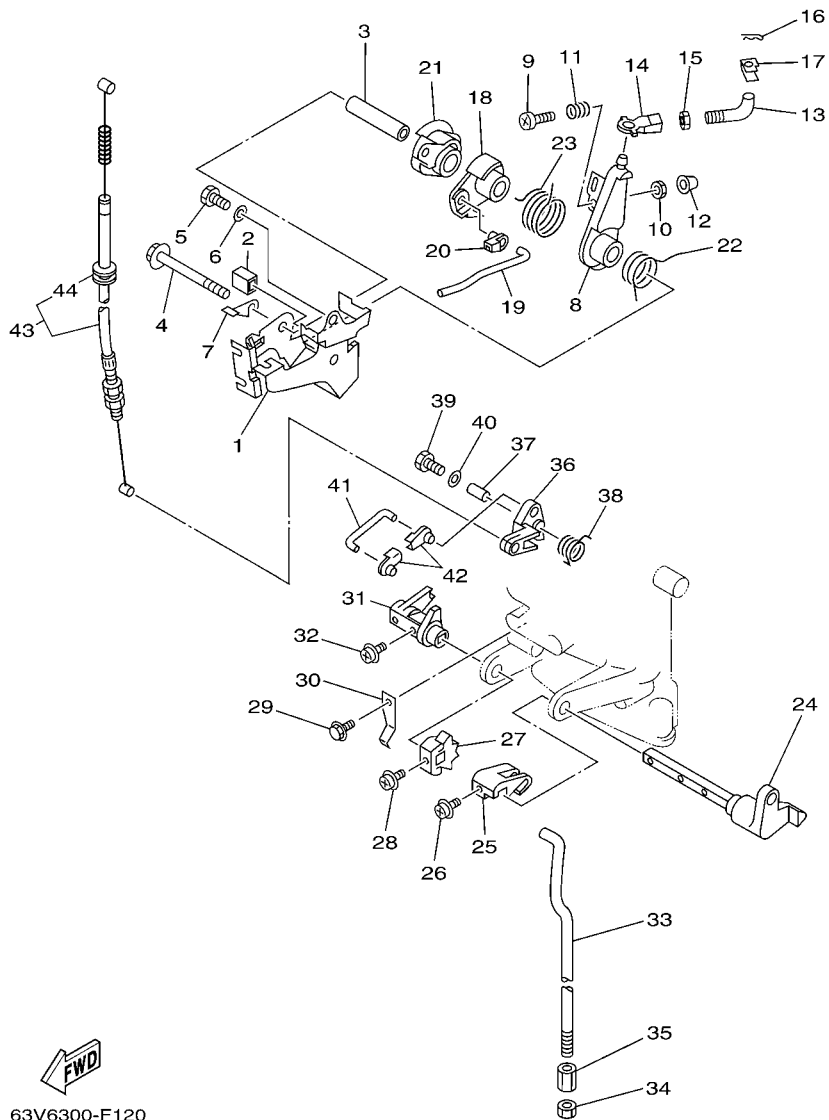


63V6300-F120

FIG. 12 CONTROL

COMMANDE

| REF. NO. | PART NO. N° PIECES | DESCRIPTION DESCRIPTION | 63V9 | 63M9 | REMARKS REMARQUES |
|----------|--------------------|---|------|------|--------------------------------------|
| 1 | 63V-14497-02 | STAY, THROTTLE WIRE SUPPORT DE BOISSEAU | 1 | 1 | |
| 2 | 689-44194-00 | CAP CAPUCHON | 1 | 1 | |
| 3 | 90387-06M50 | COLLAR COLLERETTE | 1 | 1 | |
| 4 | 95895-06065 | BOLT, FLANGE BOULON | 1 | 1 | |
| 5 | 97095-06012 | BOLT BOULON | 1 | 1 | |
| 6 | 92995-06600 | WASHER RONDELLE | 1 | 1 | |
| 7 | 63V-41282-00 | STOPPER, FREE ACCEL. LINK VERROU | 1 | | EXCEPT FOR NOR-L EXCEPT FOR NOR-L |
| 8 | 63V-41631-01 | LEVER, MAGNETO CONTROL LEVIER, COMMANDE D'AVANCE | 1 | 1 | |
| 9 | 97885-06030 | SCREW, PAN HEAD VIS, A ENCOCHE | 1 | 1 | |
| 10 | 95380-06600 | NUT, HEXAGON ECROU | 1 | 1 | |
| 11 | 90501-12M16 | SPRING, COMPRESSION RESSORT, COMPRESSION | 1 | 1 | |
| 12 | 688-44194-00 | CAP CAPUCHON | 1 | 1 | |
| 13 | 63V-41238-00 | JOINT, LINK RACCORD | 1 | 1 | |
| 14 | 6H4-41237-00 | JOINT, LINK RACCORD | 1 | 1 | |
| 15 | 95380-05700 | NUT ECROU | 1 | 1 | |
| 16 | 90468-10005 | CLIP JONC | 1 | 1 | |
| 17 | 63V-41223-00 | WASHER, LOCK 1 RONDELLE, FREIN 1 | 1 | 1 | |
| 18 | 63V-41283-01 | LEVER, FREE ACCEL. LEVIER | 1 | 1 | |
| 19 | 63V-41211-00 | LINK, ACCEL. BIELLETTE, ACCELERATION | 1 | 1 | |
| 20 | 661-41262-02 | JOINT, CHOKE LEVER RACCORD, LEVIER DE STARTER | 1 | 1 | |
| 21 | 63V-41638-00 | PULLEY POULIE | 1 | 1 | |
| 22 | 90508-16M37 | SPRING, TORSION RESSORT, TORSION | 1 | 1 | |
| 23 | 90508-20M38 | SPRING, TORSION RESSORT, TORSION | 1 | 1 | |
| 24 | 63V-44123-01 | ARM, SHIFT ROD BRAS, TIGE D'INVERSION | 1 | 1 | |
| 25 | 63V-44121-01 | LEVER, SHIF T ROD LEVIER, TIGE D'INVERSION | 1 | 1 | |
| 26 | 90159-05M25 | SCREW, WITH WASHER VIS, AVEC RONDELLE | 1 | 1 | |
| 27 | 63V-44125-00 | LEVER, SHIFT ROD LEVIER, TIGE D'INVERSION | 1 | 1 | |



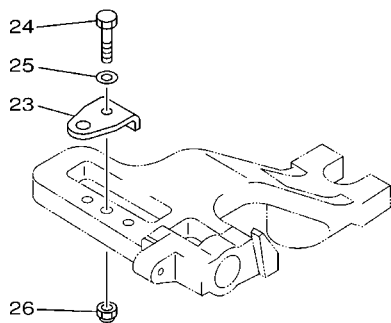
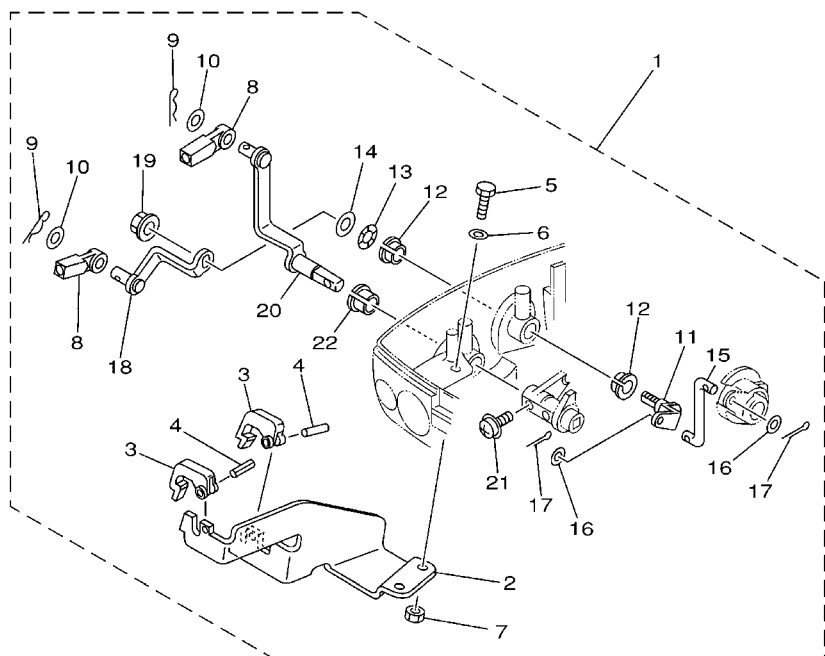
63V6300-F120

FIG. 12 CONTROL

COMMANDE

| REF. NO. | PART NO. N° PIECES | DESCRIPTION DESCRIPTION | 63V9 | 63M9 | REMARKS REMARQUES |
|----------|--------------------|---|------|------|-------------------|
| 28 | 90159-05M25 | SCREW, WITH WASHER VIS, AVEC RONDELLE | 1 | 1 | |
| 29 | 95895-06012 | BOLT, FLANGE BOULON | 1 | 1 | |
| 30 | 63V-44116-00 | SPRING RESSORT | 1 | 1 | |
| 31 | 63V-44122-01 | BUSHING, SHIFT ROD LEVER DOUILLE, LEVIER D'EMBRAYAGE | 1 | 1 | |
| 32 | 90159-05M25 | SCREW, WITH WASHER VIS, AVEC RONDELLE | 1 | 1 | |
| 33 | 63V-44143-01 | ROD, SHIFT TIGE D'EMBRAYAGE | 1 | 1 | |
| 34 | 95380-06700 | NUT ECROU | 1 | 1 | |
| 35 | 61N-44146-00 | CONNECTOR, SHIFT ROD CONNECTEUR, TIGE D'INVERSION | 1 | 1 | |
| 36 | 63V-15746-10 | ARM BRAS | 1 | 1 | |
| 37 | 90387-06M06 | COLLAR COLLERETTE | 1 | 1 | |
| 38 | 90508-08M39 | SPRING, TORSION RESSORT, TORSION | 1 | 1 | |
| 39 | 97095-06020 | BOLT BOULON | 1 | 1 | |
| 40 | 92995-06600 | WASHER RONDELLE | 1 | 1 | |
| 41 | 6L2-15747-00 | LINK BIELLETTTE | 1 | 1 | |
| 42 | 661-41262-02 | JOINT, CHOKE LEVER RACCORD, LEVIER DE STARTER | 2 | 2 | |
| 43 | 63V-15770-01 | CABLE COMP., STARTER STOP CABLE, BUTEE DE DEMAR | 1 | 1 | |
| 44 | 90480-10M16 | .GROMMET .PASSE-FIL | 1 | 1 | |

FIG. 13 REMO CON ATTACHMENT COMMANDE A DISTANCE

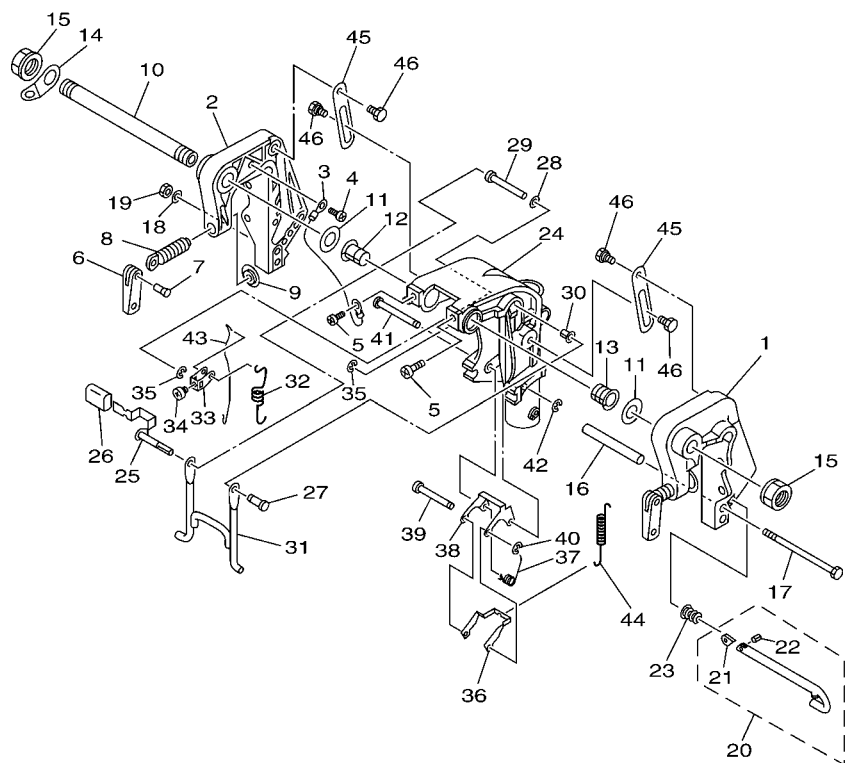


FWD
63V1100-2140

| REF. NO. | PART NO. N° PIECES | DESCRIPTION DESCRIPTION | 63V9 | 63M9 | REMARKS REMARQUES |
|----------|--------------------|--|------|------|-------------------|
| 1 | 63V-48501-00 | REMOTE CONT. ATTACHMENT ASSY. COMMANDE A DISTANCE (KIT) | 1 | 1 | AP AP |
| 2 | 63V-48531-00 | .BRACKET, REMOTE CONTROL 1 .ETRIER 1, COMMANDE A DISTANCE | 1 | 1 | |
| 3 | 682-48538-50 | .CLAMP, CABLE 1 .COLLIER | 2 | 2 | |
| 4 | 91690-30012 | .PIN, SPRING .AGRAFFE | 2 | 2 | |
| 5 | 97095-06016 | .BOLT .BOULON | 2 | 2 | |
| 6 | 92995-06600 | .WASHER .RONDELLE | 2 | 2 | |
| 7 | 95380-06600 | .NUT, HEXAGON .ECROU | 2 | 2 | |
| 8 | 663-48344-00 | .CABLE END, REMOTE CONTROL .CHAPE CABLE | 2 | 2 | |
| 9 | 90468-18008 | .CLIP .JONC | 2 | 2 | |
| 10 | 90201-08M12 | .WASHER, PLATE .RONDELLE, PLATE | 2 | 2 | |
| 11 | 63V-42154-00 | .LEVER, THROTTLE CONTROL .LEVIER DE COMMANDE D'AVANCE | 1 | 1 | |
| 12 | 90386-10025 | .BUSH .DOUILLE | 2 | 2 | |
| 13 | 90206-10M04 | .WASHER, WAVE .RONDELLE, ONDULEE | 1 | 1 | |
| 14 | 90201-10M02 | .WASHER, PLATE .RONDELLE, PLATE | 1 | 1 | |
| 15 | 63V-42192-00 | .ROD 2 .TRINGLE 2 | 1 | 1 | |
| 16 | 90201-04M06 | .WASHER, PLATE .RONDELLE, PLATE | 2 | 2 | |
| 17 | 91490-20010 | .PIN, COTTER .GOUPILLE | 2 | 2 | |
| 18 | 63V-48534-00 | .THROTTLE LEVER, CONTROL .LEVIER D'ACCELERATION | 1 | 1 | |
| 19 | 95780-08300 | .NUT, FLANGE .ECROU | 1 | 1 | |
| 20 | 63V-48544-00 | .LEVER, SHIFTCONTROL .POIGNEE, INVERSION | 1 | 1 | |
| 21 | 90159-05M25 | .SCREW, WITH WASHER .VIS, AVEC RONDELLE | 1 | 1 | |
| 22 | 90386-10009 | .BUSH .DOUILLE | 1 | 1 | |
| 23 | 63V-48511-01 | HOOK, STEERING ATTACHE, DIRECTION | 1 | 1 | AP AP |
| 24 | 97075-08035 | BOLT BOULON | 1 | 1 | AP AP |
| 25 | 92995-08600 | WASHER RONDELLE | 1 | 1 | AP AP |
| 26 | 90185-08057 | NUT, SELF-LOCKING ECROU, AUTO-BLOQUANT | 1 | 1 | AP AP |

FIG. 14 BRACKET 1

SUPPORT 1

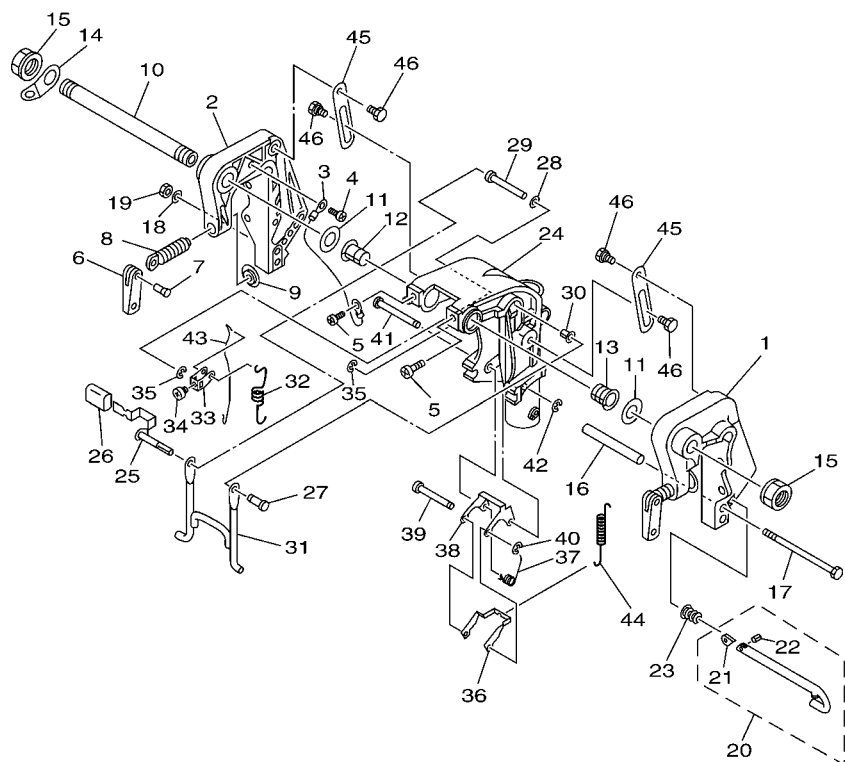



63V3300-C140

| REF. NO. | PART NO. N° PIECES | DESCRIPTION DESCRIPTION | 63V9 | 63M9 | REMARKS REMARQUES |
|----------|--------------------|---|------|------|----------------------------------|
| 1 | 63V-43111-07-4D | BRACKET, CLAMP 1 PRESSE 1 | 1 | 1 | |
| 2 | 63V-43112-08-4D | BRACKET, CLAMP 2 PRESSE 2 | 1 | 1 | |
| 3 | 66M-82148-00 | WIRE, LEAD 4 FIL 4 | 1 | 1 | |
| 4 | 97885-06008 | SCREW, PAN HEAD VIS, A ENCOCHE | 1 | 1 | |
| 5 | 97885-08010 | SCREW, PAN HEAD VIS, A ENCOCHE | 2 | 2 | |
| 6 | 6E0-43118-01 | HANDLE, TRANSOM CLAMP POIGNEE DE VIS DE PRESSE | 2 | 2 | |
| 7 | 90243-04M01 | PIN GOUILLE | 2 | 2 | |
| 8 | 6E7-43116-00 | SCREW, TRANSOM CLAMP VIS DE PRESSE | 2 | 2 | |
| 9 | 648-43114-01 | PAD, TRANSOM CLAMP RONDELLE D'APPUI | 2 | 2 | |
| 10 | 69A-43131-00 | BOLT, CLAMP BRACKET BOULON, PRESSE | 1 | 1 | FOR RIDE GUIDE FOR RIDE GUIDE |
| 11 | 90202-22M54 | WASHER, PLATE RONDELLE, PLATE | 2 | 2 | |
| 12 | 90386-22M94 | BUSH DOUILLE | 1 | 1 | |
| 13 | 90386-22M94 | BUSH DOUILLE | 1 | 1 | |
| 14 | 6J8-43113-01 | PLATE, CLAMP BRACKET PLAQUETTE, PRESSE | 1 | 1 | |
| 15 | 90185-22043 | NUT, SELF-LOCKING ECROU, AUTO-BLOQUANT | 2 | 2 | |
| 16 | 90387-06M13 | COLLAR COLLERETTE | 1 | 1 | |
| 17 | 90101-06M29 | BOLT BOULON | 1 | 1 | |
| 18 | 92995-06600 | WASHER RONDELLE | 1 | 1 | |
| 19 | 95380-06700 | NUT ECROU | 1 | 1 | |
| 20 | 689-43160-00 | TILT ROD ASSY BROCHE D'INCLINAISON (ENS.) | 1 | 1 | |
| 21 | 689-43165-00 | .PLATE, TILT LOCK .TAQUET, BROCHE INCLINAISON | 1 | 1 | |
| 22 | 91690-30008 | .PIN, SPRING .AGRAFFE | 1 | 1 | |
| 23 | 90502-10M07 | SPRING, CONICAL RESSORT, CONIQUE | 1 | 1 | |
| 24 | 63V-43311-03-4D | BRACKET, SWIVEL 1 SUPPORT, PIVOT 1 | 1 | 1 | |
| 25 | 66M-43630-01 | TILT LEVER ASSY LEVIER D'INCLINAISON | 1 | 1 | |
| 26 | 682-43318-01 | COVER CAPUCHON | 1 | 1 | |
| 27 | 63V-43191-00 | SHAFT, STOPPER AXE, BUTEE | 1 | 1 | |

FIG. 14 BRACKET 1

SUPPORT 1

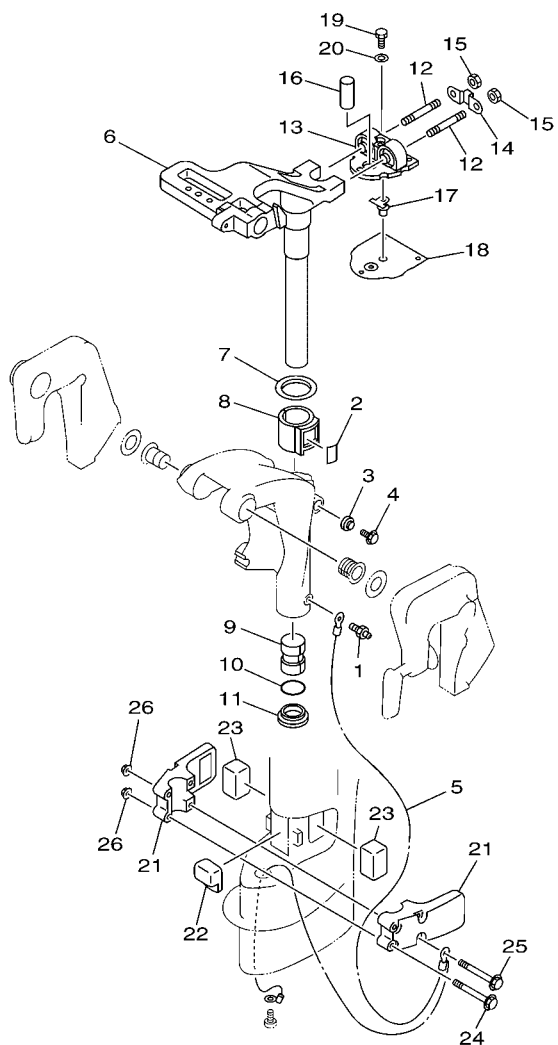



63V3300-C140

| REF. NO. | PART NO. N° PIECES | DESCRIPTION DESCRIPTION | 63V9 | 63M9 | REMARKS REMARQUES |
|----------|--------------------|--|------|------|-------------------|
| 28 | 90202-07M60 | WASHER, PLATE RONDELLE, PLATE | 1 | 1 | |
| 29 | 90387-07M07 | COLLAR COLLERETTE | 1 | 1 | |
| 30 | 90386-07M95 | BUSH DOUILLE | 1 | 1 | |
| 31 | 66M-43350-01 | RECEIVER ASSY RECEIVER ASSY | 1 | 1 | |
| 32 | 90507-20M00 | SPRING, TENSION RESSORT, TENSION | 1 | 1 | |
| 33 | 63V-43641-01 | LEVER, TILT LEVIER, INCLINAISON | 1 | 1 | |
| 34 | 90157-05014 | SCREW, PAN HEAD VIS, TETE TRONCONIQUE | 1 | 1 | |
| 35 | 99080-05600 | CIRCLIP CIRCLIP | 2 | 2 | |
| 36 | 63V-43614-10 | PLATE, TILT LOCK ETRIER, VERROUILLAGE MARCHE AR | 1 | 1 | |
| 37 | 90508-18M41 | SPRING, TORSION RESSORT, TORSION | 1 | 1 | |
| 38 | 66R-43615-00 | PLATE, TILT LOCK ETRIER, VERROUILLAGE MARCHE AR | 1 | 1 | |
| 39 | 66R-43611-00 | SHAFT, TILT LOCK AXE, VERROUILLAGE MARCHE AR | 1 | 1 | |
| 40 | 93430-04M03 | CIRCLIP CLIPS | 1 | 1 | |
| 41 | 63V-43659-00 | SHAFT, REVERSE LOCK AXE, VERROUILLAGE MARCHE AR | 1 | 1 | |
| 42 | 99080-05600 | CIRCLIP CIRCLIP | 1 | 1 | |
| 43 | 66R-43617-00 | ROD, TILT LOCK TIGE | 1 | 1 | |
| 44 | 63V-43656-00 | SPRING, REVERSE LOCK 1 RESSORT | 1 | 1 | |
| 45 | 63V-43181-00 | LEVER, TILT STOP LEVIER, VERROUILLAGE RELEVAGE | 2 | 2 | |
| 46 | 90109-06M84 | BOLT BOULON | 4 | 4 | |

FIG. 15 BRACKET 2

SUPPORT 2

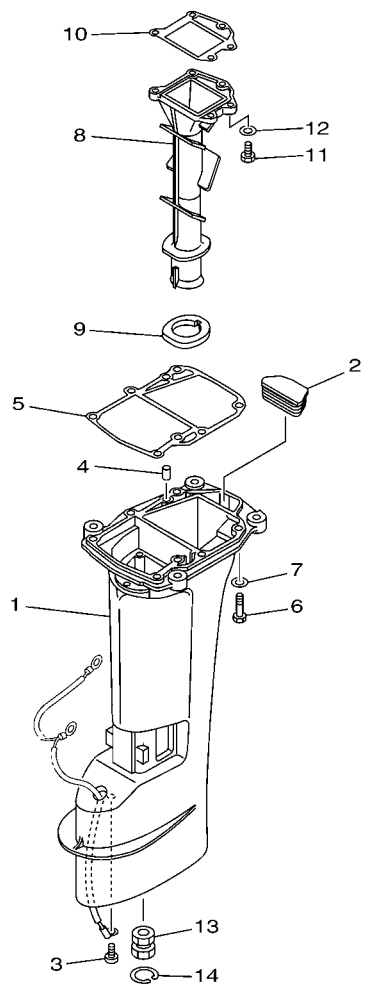



63V8110-H160

| REF. NO. | PART NO. N° PIECES | DESCRIPTION DESCRIPTION | 63V9 | 63M9 | REMARKS REMARQUES |
|----------|--------------------|--|------|------|-------------------|
| 1 | 93700-06M03 | NIPPLE, GREASE PION | 1 | 1 | |
| 2 | 63V-42528-00 | PLATE, FRICTION PLAQUE, FRICTION | 1 | 1 | |
| 3 | 689-43373-01 | SEAL, DAMPER JOINT | 1 | 1 | |
| 4 | 90105-06M07 | BOLT, FLANGE BOULON | 1 | 1 | |
| 5 | 63V-82127-00 | WIRE, LEAD 2 FIL 2 | 1 | 1 | |
| 6 | 63V-42511-04-4D | BRACKET, STEERING CADRE, DIRECTION | 1 | 1 | |
| 7 | 90209-40008 | WASHER RONDELLE | 1 | 1 | |
| 8 | 65F-42537-00 | BUSHING, PIVOT SHAFT COUSSINET | 1 | 1 | |
| 9 | 90386-30048 | BUSH DOUILLE | 1 | 1 | |
| 10 | 93210-29M94 | O-RING JOINT TORIQUE | 1 | 1 | |
| 11 | 90386-30M60 | BUSH DOUILLE | 1 | 1 | |
| 12 | 90116-08M54 | BOLT, STUD GOUJON | 2 | 2 | |
| 13 | 63V-44514-01-5B | MOUNT DAMPER, UPPER SIDE SILENT-BLOC, SUPERIEUR LATERAL | 1 | 1 | |
| 14 | 63V-44526-00 | PLATE PLAQUE | 1 | 1 | |
| 15 | 95380-08600 | NUT ECROU | 2 | 2 | |
| 16 | 90387-16002 | COLLAR COLLERETTE | 1 | 1 | |
| 17 | 63V-44366-01 | DAMPER, WATER SEAL JOINT, TUBE D'EAU | 1 | 1 | |
| 18 | 63V-45114-A1 | GASKET, UPPER CASING JOINT, TUBE D'ARBRE | 1 | 1 | |
| 19 | 97095-06018 | BOLT BOULON | 3 | 3 | |
| 20 | 92995-06600 | WASHER RONDELLE | 3 | 3 | |
| 21 | 63V-44551-01-4D | HOUSING, LOWER MOUNT RUBBER BOITIER, SILENT-BLOC INFERIEUR | 2 | 2 | |
| 22 | 63V-44557-00 | MOUNT DAMPER, LOWER FRONT SILENT-BLOC, INFERIEUR AVANT | 1 | 1 | |
| 23 | 682-44555-00 | MOUNT DAMPER, LOWER SIDE SILENT-BLOC, INFERIEUR LATERAL | 2 | 2 | |
| 24 | 97575-06555 | BOLT, WITH WASHER VIS HEXAGONAL AVC RONDELLE | 2 | 2 | |
| 25 | 97575-06575 | BOLT, WITH WASHER VIS HEXAGONAL AVC RONDELLE | 2 | 2 | |
| 26 | 90179-06M28 | NUT ECROU | 4 | 4 | |

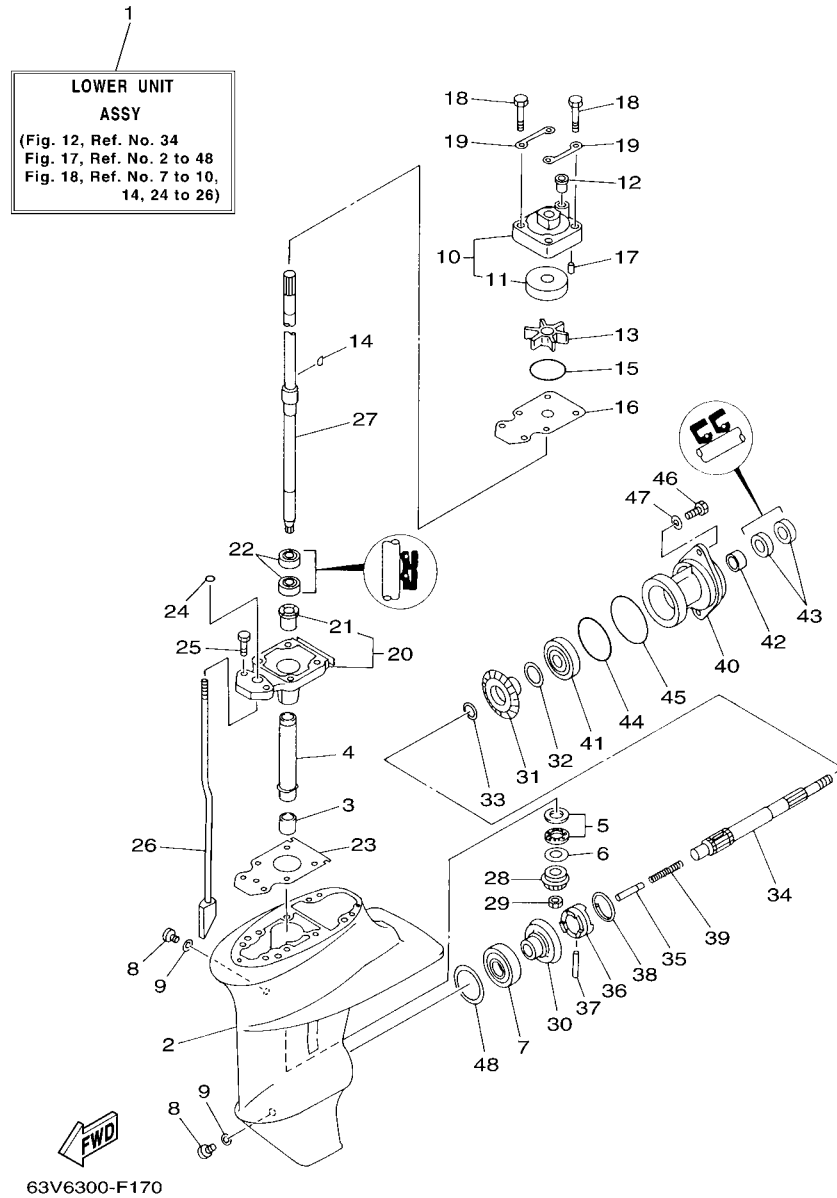
FIG. 16 UPPER CASING

FOURREAU



| REF. NO. | PART NO. N° PIECES | DESCRIPTION DESCRIPTION | FOURREAU | | REMARKS REMARQUES |
|----------|--------------------|--|----------|------|----------------------------------|
| | | | 63V9 | 63W9 | |
| 1 | 63V-45111-05-4D | CASING, UPPER FOURREAU | 1 | 1 | S(17.3") |
| | 63V-45111-15-4D | CASING, UPPER FOURREAU | 1 | 1 | S(17.3") L(22.3") L(22.3") |
| 2 | 63V-45126-01 | PLATE, SEAL DAMPER PLAQUETTE | 1 | 1 | |
| 3 | 90157-06M06 | SCREW, PAN HEAD VIS, TETE TRONCONIQUE | 1 | 1 | |
| 4 | 93606-12019 | PIN, DOWEL GOUPILLE | 2 | 2 | |
| 5 | 63V-45113-A1 | GASKET, UPPER CASING JOINT, TUBE D'ARBRE | 1 | 1 | |
| 6 | 97095-08030 | BOLT BOULON | 6 | 6 | |
| 7 | 92995-08600 | WASHER RONDELLE | 6 | 6 | |
| 8 | 65F-41131-00-5B | MANIFOLD, EXT. 1 PIPE D'ECHAPPEMENT | 1 | 1 | |
| 9 | 63V-41135-00 | GASKET, EXHAUST MANIFOLD JOINT, PIPE D'ECHAPPEMENT | 1 | 1 | |
| 10 | 63V-41133-A1 | GASKET, EXHAUST MANIFOLD 1 JOINT, PIPE D'ECHAPPEMENT | 1 | 1 | |
| 11 | 97095-06020 | BOLT BOULON | 5 | 5 | |
| 12 | 92995-06600 | WASHER RONDELLE | 5 | 5 | |
| 13 | 682-45318-00 | BUSHING, DRIVE SHAFT DOUILLE, ARBRE MOTEUR | 1 | 1 | L(22.3") L(22.3") |
| 14 | 93420-30042 | CIRCLIP CIRCLIP, TYPE S | 1 | 1 | L(22.3") L(22.3") |


63V3100-C170



63V6300-F170

FIG. 17 LOWER CASING & DRIVE 1

BOITIER D'HELICE TRANSMISSION1

| REF. NO. | PART NO. N° PIECES | DESCRIPTION DESCRIPTION | | | REMARKS REMARQUES |
|----------|--------------------|--|------|------|----------------------|
| | | | 63V9 | 63W9 | |
| 1 | 63V-45300-03-4D | LOWER UNIT ASSY UNITE INFÉRIEURE (ENS.) | 1 | 1 | S(17.3") S(17.3") |
| | 63V-45300-13-4D | LOWER UNIT ASSY UNITE INFÉRIEURE (ENS.) | 1 | 1 | L(22.3") L(22.3") |
| 2 | 63V-45311-01-4D | CASING, LOWER BOITIER D'HELICE | 1 | 1 | |
| 3 | 93315-314V8 | BEARING ROULEMENT | 1 | 1 | |
| 4 | 63V-45536-00 | SLEEVE, DRIVE SHAFT MANCHON, ARBRE MOTEUR | 1 | 1 | |
| 5 | 93341-41414 | BEARING CERVEAUX DE DIRECTION | 1 | 1 | |
| 6 | 6E8-45587-10 | SHIM (T:1.13MM) CALE (T:1.13MM) | 1 | 1 | UR |
| | 6E8-45587-30 | SHIM (T:1.20MM) CALE (T:1.20MM) | 1 | 1 | UR |
| 7 | 93332-00005 | BEARING ROULEMENT | 1 | 1 | UR |
| 8 | 90340-08002 | PLUG, STRAIGHT SCREW PLOT, FILETE DROIT | 2 | 2 | |
| 9 | 90430-08020 | GASKET JOINT | 2 | 2 | |
| 10 | 63V-44301-00 | WATER PUMP HOUSING COMP. CARTER, POMPE A EAU (ENS.) | 1 | 1 | |
| 11 | 63V-44322-00 | .INSERT, CARTRIDGE .CUVETTE | 1 | 1 | |
| 12 | 647-44366-00 | DAMPER, WATER SEAL JOINT, TUBE D'EAU | 1 | 1 | |
| 13 | 63V-44352-01 | IMPELLER TURBINE | 1 | 1 | |
| 14 | 63V-44338-00 | KEY, WOODRUFF CLAVETTE, VOLANT | 1 | 1 | |
| 15 | 93210-44398 | O-RING JOINT TORIQUE | 1 | 1 | |
| 16 | 63V-44323-00 | OUTER PLATE, CARTRIDGE PLAQUE EXTERIEURE | 1 | 1 | |
| 17 | 93604-12M07 | PIN, DOWEL CLAVETTE | 2 | 2 | |
| 18 | 97080-08045 | BOLT BOULON | 4 | 4 | |
| 19 | 63V-44328-00 | PLATE PLAQUETTE | 2 | 2 | |
| 20 | 63V-45331-00-5B | HOUSING, BEARING FLASQUE, ROULEMENT | 1 | 1 | |
| 21 | 626-45316-09 | .BUSHING, DRIVE SHAFT .DOUILLE, ARBRE MOTEUR | 1 | 1 | |
| 22 | 93101-20048 | OIL SEAL JOINT SPY | 2 | 2 | |
| 23 | 63V-45315-A0 | PACKING, LOWER CASING JOINT, BOITIER D'HELICE | 1 | 1 | |
| 24 | 93210-06ME6 | O-RING JOINT TORIQUE | 1 | 1 | |
| 25 | 97080-08025 | BOLT BOULON | 2 | 2 | |

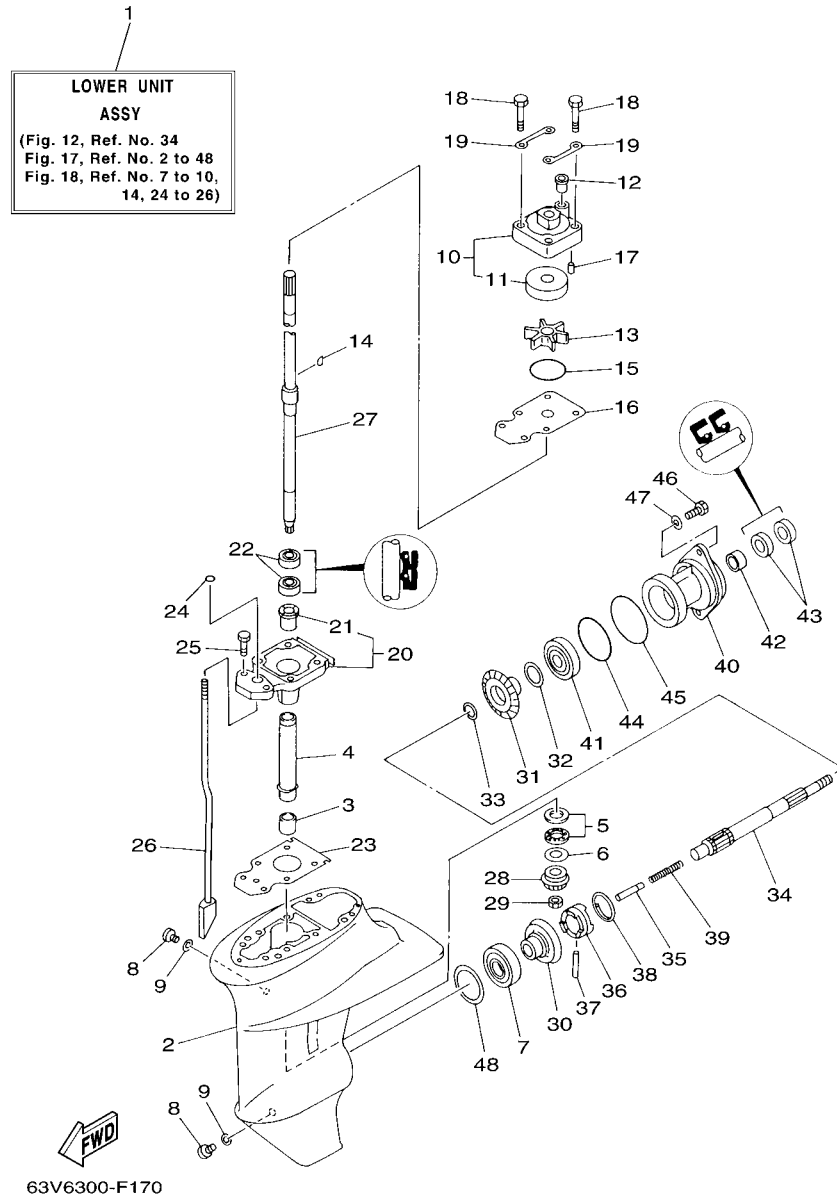


FIG. 17 LOWER CASING & DRIVE 1

BOITIER D'HELICE TRANSMISSION1

| REF. NO. | PART NO. N° PIECES | DESCRIPTION DESCRIPTION | 63V9 | 63M9 | REMARKS REMARQUES |
|----------|--------------------|--|------|------|----------------------|
| 26 | 63V-44150-00 | SHIFT CAM ASSY CAME D'INVERSION | 1 | 1 | S(17.3") S(17.3") |
| | 63V-44150-10 | SHIFT CAM ASSY CAME D'INVERSION | 1 | 1 | L(22.3") L(22.3") |
| 27 | 63V-45510-01 | DRIVE SHAFT ASSY ARBRE MOTEUR (ENS.) | 1 | 1 | S(17.3") |
| | 63V-45510-11 | DRIVE SHAFT ASSY ARBRE MOTEUR (ENS.) | 1 | 1 | S(17.3") L(22.3") |
| 28 | 63V-45551-00 | PINION (13T) PIGNON D'ATTAQUE (13D) | 1 | 1 | |
| 29 | 90179-08M06 | NUT ECROU | 1 | 1 | |
| 30 | 6E7-45560-01 | GEAR 1 (27T) PIGNON 1 (27T) | 1 | 1 | |
| 31 | 6E7-45571-00 | GEAR 2 (27T) PIGNON 2 (27T) | 1 | 1 | |
| 32 | 626-45577-00 | SHIM (T:0.10MM) CALE (T:0.10MM) | 1 | 1 | UR |
| | 626-45577-10 | SHIM (T:0.20MM) CALE (T:0.20MM) | 1 | 1 | UR |
| | 626-45577-20 | SHIM (T:0.30MM) CALE (T:0.30MM) | 1 | 1 | UR |
| | 626-45577-30 | SHIM (T:0.40MM) CALE (T:0.40MM) | 1 | 1 | UR |
| | 626-45577-40 | SHIM (T:0.50MM) CALE (T:0.50MM) | 1 | 1 | UR |
| 33 | 90201-17682 | WASHER, PLATE RONDELLE, PLATE | 1 | 1 | |
| 34 | 683-45611-00 | SHAFT, PROPELLER ARBRE, HELICE | 1 | 1 | |
| 35 | 650-45635-00 | PLUNGER, SHIFT POUSSOIR D'EMBRAYAGE | 1 | 1 | |
| 36 | 682-45631-00 | CLUTCH, DOG CRABOT | 1 | 1 | |
| 37 | 90250-05010 | PIN, STRAIGHT GOUPILLE, DROITE | 1 | 1 | |
| 38 | 648-45633-00 | RING, CROSS PIN JONC, GOUPILLE CRABOT | 1 | 1 | |
| 39 | 90501-14M06 | SPRING, COMPRESSION RESSORT, COMPRESSION | 1 | 1 | |
| 40 | 683-45361-02-4D | CAP, LOWER CASING COUVERCLE, BOITIER D'HELICE | 1 | 1 | |
| 41 | 93306-00501 | BEARING ROULEMENT | 1 | 1 | |
| 42 | 93315-317U2 | BEARING ROULEMENT | 1 | 1 | |
| 43 | 93101-17054 | OIL SEAL JOINT SPY | 2 | 2 | |
| 44 | 93210-57M09 | O-RING JOINT TORIQUE | 1 | 1 | |
| 45 | 93210-56M80 | O-RING JOINT TORIQUE | 1 | 1 | |
| 46 | 97095-06020 | BOLT BOULON | 2 | 2 | |

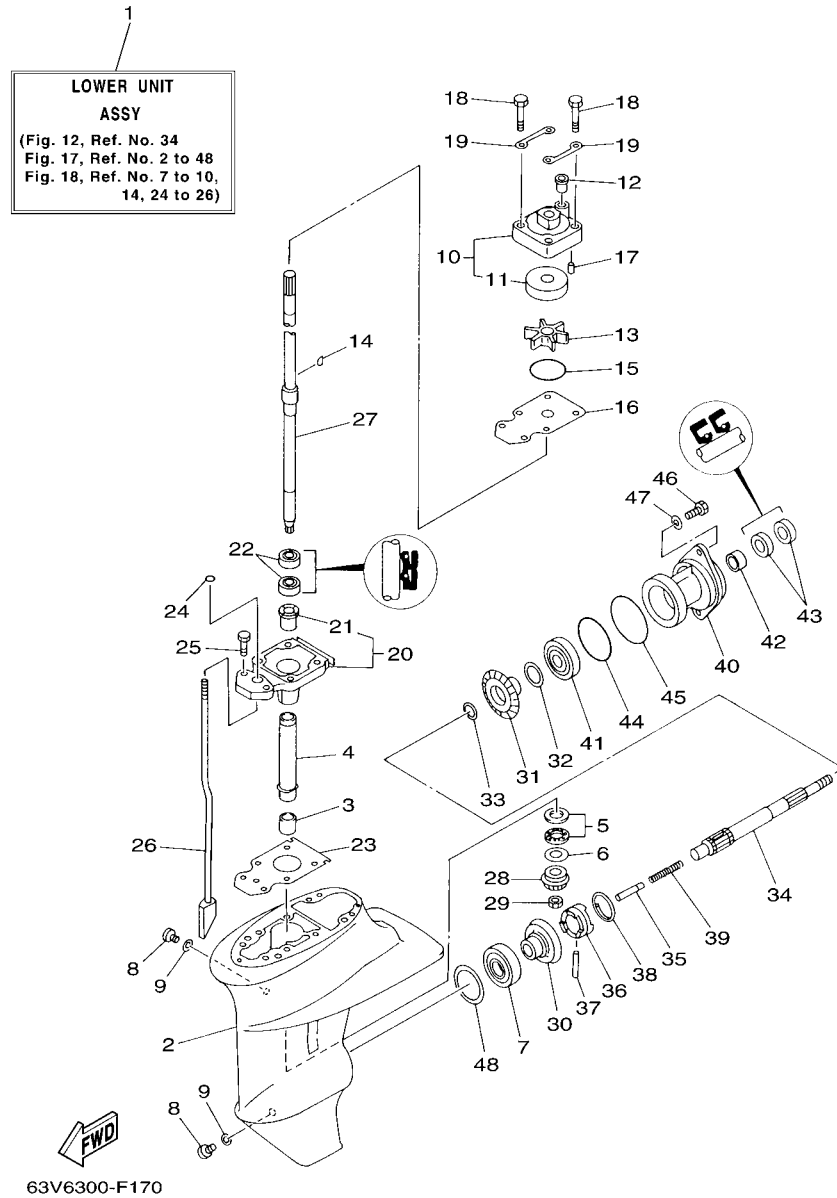


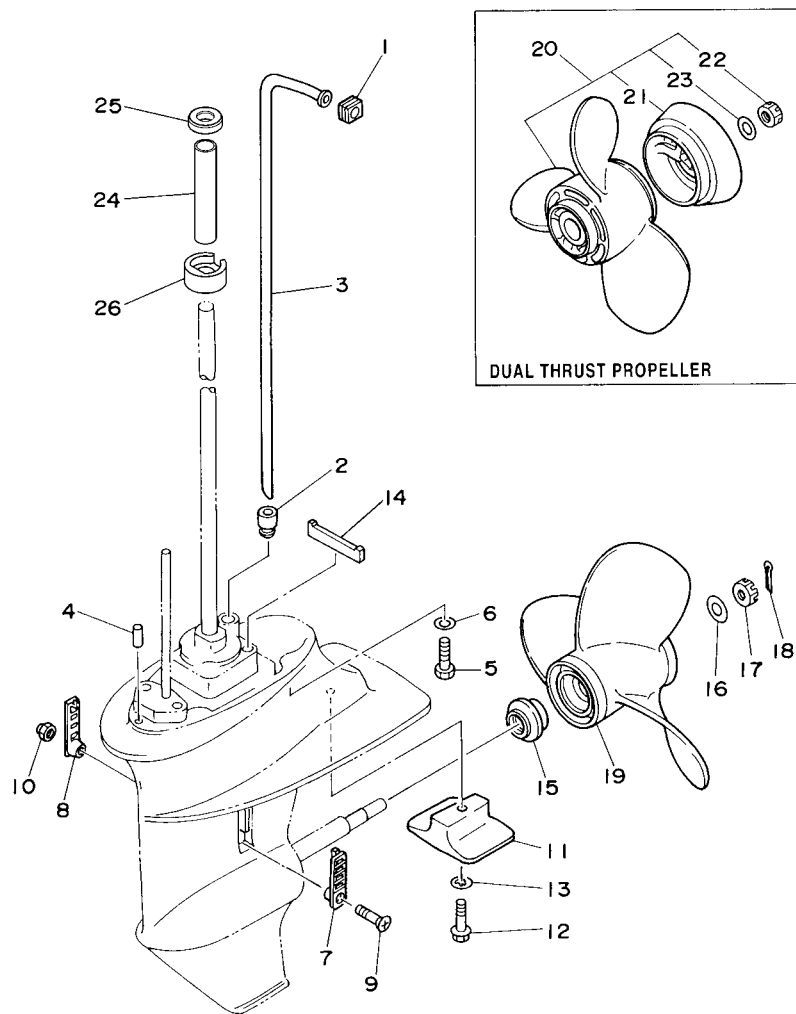
FIG. 17 LOWER CASING & DRIVE 1

BOITIER D'HELICE TRANSMISSION1

| REF. NO. | PART NO. N° PIECES | DESCRIPTION DESCRIPTION | 63V9 | 63W9 | REMARKS REMARQUES |
|----------|--------------------|------------------------------------|------|------|-------------------|
| 47 | 92995-06600 | WASHER RONDELLE | 2 | 2 | |
| 48 | 664-45567-01 | SHIM (T:0.10MM) CALE (T:0.10MM) | 1 | 1 | UR UR |
| | 664-45567-10 | SHIM (T:0.12MM) CALE (T:0.12MM) | 1 | 1 | UR UR |
| | 664-45567-20 | SHIM (T:0.15MM) CALE (T:0.15MM) | 1 | 1 | UR UR |
| | 664-45567-30 | SHIM (T:0.18MM) CALE (T:0.18MM) | 1 | 1 | UR UR |
| | 664-45567-40 | SHIM (T:0.30MM) CALE (T:0.30MM) | 1 | 1 | UR UR |
| | 664-45567-50 | SHIM (T:0.40MM) CALE (T:0.40MM) | 1 | 1 | UR UR |
| | 664-45567-60 | SHIM (T:0.50MM) CALE (T:0.50MM) | 1 | 1 | UR UR |
| ----- | | | | | |
| ----- | | | | | |
| ----- | | | | | |
| ----- | | | | | |
| ----- | | | | | |
| ----- | | | | | |
| ----- | | | | | |

FIG. 18 LOWER CASING & DRIVE 2

BOITIER D'HELICE TRANSMISSION2

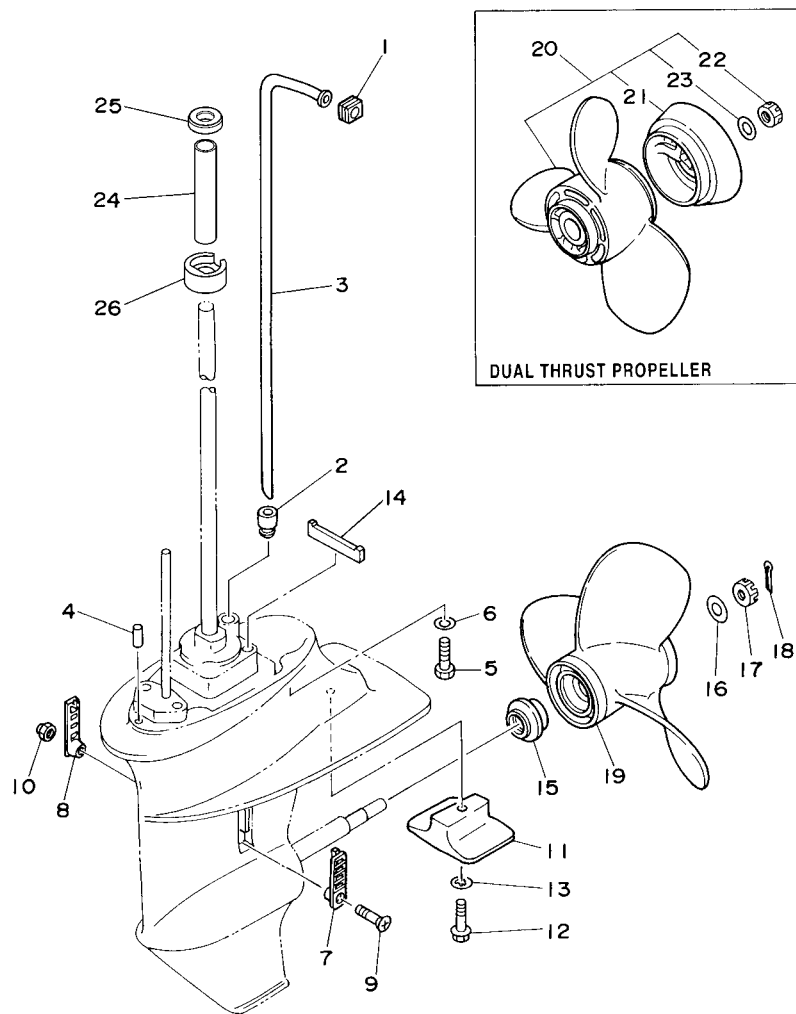


63V3100-C190

| REF. NO. | PART NO. N° PIECES | DESCRIPTION DESCRIPTION | 63V9 | 63M9 | REMARKS REMARQUES |
|----------|--------------------|--|------|------|----------------------|
| 1 | 63V-44365-10 | DAMPER, WATER SEAL JOINT, TUBE D'EAU | 1 | 1 | |
| 2 | 63V-44368-00 | RUBBER, WATER SEAL 4 CAOUTCHOUC EAU JUNTA 4 | 1 | 1 | |
| 3 | 63V-44361-01 | TUBE, WATER TUBE D'EAU | 1 | 1 | S(17.3") S(17.3") |
| | 63V-44361-11 | TUBE, WATER TUBE D'EAU | 1 | 1 | L(22.3") L(22.3") |
| 4 | 93604-12M07 | PIN, DOWEL CLAVETTE | 2 | 2 | |
| 5 | 97075-08030 | BOLT BOULON | 4 | 4 | |
| 6 | 92995-08600 | WASHER RONDELLE | 4 | 4 | |
| 7 | 6G1-45214-00 | COVER, WATER INLET 1 GRILLE, ENTREE D'EAU 1 | 1 | 1 | |
| 8 | 63V-45215-00 | COVER, WATER INLET 2 GRILLE, ENTREE D'EAU 2 | 1 | 1 | |
| 9 | 90152-05M04 | SCREW, COUNTERSUNK VIS, TETE NOYEE | 1 | 1 | |
| 10 | 90185-05002 | NUT, NYLON ECROU, AUTO-BLOQUANT | 1 | 1 | |
| 11 | 61N-45251-01 | ANODE ANODE | 1 | 1 | |
| 12 | 95895-06030 | BOLT, FLANGE BOULON | 1 | 1 | |
| 13 | 92990-06300 | WASHER, INTERNAL TOOTH RONDELLE, DENTURE INTERNE | 1 | 1 | |
| 14 | 63V-45375-00 | DAMPER, SEAL BOURRELET, CAOUTCHOUC | 1 | 1 | |
| 15 | 6E7-45987-01 | SPACER ENTRETOISE | 1 | 1 | |
| 16 | 90201-10M01 | WASHER, PLATE RONDELLE, PLATE | 1 | 1 | |
| 17 | 90171-10M01 | NUT, CASTLE ECROU, CRENELE | 1 | 1 | |
| 18 | 91490-30020 | PIN, COTTER GOUPILLE | 1 | 1 | |
| 19 | 683-45941-00-EL | PROPELLER (3X9-1/4"X12"-J) HELICE (3X9-1/4"X12"-J) | 1 | 1 | UR UR |
| | 683-45943-00-EL | PROPELLER (3X9-1/4"X10-1/2"-J) HELICE (3X9-1/4"X10-1/2"-J) | 1 | 1 | UR UR |
| | 683-45945-00-EL | PROPELLER (3X9-1/4"X9"-J) HELICE (3X9-1/4"X9"-J) | 1 | 1 | UR UR |
| | 683-45947-00-EL | PROPELLER (3X9-1/4"X8"-J) HELICE (3X9-1/4"X8"-J) | 1 | 1 | UR UR |
| | 683-45949-00-EL | PROPELLER (3X9-1/2"X6-1/2"-J) HELICE (3X9-1/2"X6-1/2"-J) | 1 | 1 | UR UR |
| | 683-45952-00-EL | PROPELLER (3X9-1/4"X9-3/4"-J) HELICE (3X9-1/4"X9-3/4"-J) | 1 | 1 | UR UR |
| | 63V-45943-10-EL | PROPELLER (3X9-1/4"X11"-J1) HELICE (3X9-1/4"X11"-J1) | 1 | 1 | UR UR |
| | 63V-45945-10-EL | PROPELLER (3X9-1/4"X9"-J1) HELICE (3X9-1/4"X9"-J1) | 1 | 1 | UR UR |

FIG. 18 LOWER CASING & DRIVE 2

BOITIER D'HELICE TRANSMISSION2



| REF. NO. | PART NO. N° PIECES | DESCRIPTION DESCRIPTION | 63V9 | 63W9 | REMARKS REMARQUES |
|----------|--------------------|---|------|------|----------------------|
| 19 | 63V-45947-00-EL | PROPELLER (3X9-1/4"X8"-J) HELICE (3X9-1/4"X8"-J) | 1 | 1 | UR UR |
| | 63V-45952-10-EL | PROPELLER (3X9-1/4"X10"-J1) HELICE (3X9-1/4"X10"-J1) | 1 | 1 | UR UR |
| 20 | 683-W4591-02-EL | PROPELLER (3X9-3/4"X8"-J) HELICE (3X9-3/4"X8"-J) | 1 | 1 | UR UR |
| | 683-W4592-02-EL | PROPELLER (3X9-3/4"X6-1/2"-J) HELICE (3X9-3/4"X6-1/2"-J) | 1 | 1 | UR UR |
| 21 | 6E7-45986-00 | .RING, DEFLECTOR .DEFLECTEUR DE CERCLE | 1 | 1 | |
| 22 | 90171-10M07 | .NUT, CASTLE .ECROU, CRENELE | 1 | 1 | |
| 23 | 90201-10M02 | .WASHER, PLATE .RONDELLE, PLATE | 1 | 1 | |
| 24 | 63V-44362-00 | TUBE, WATER TUBE D'EAU | 1 | 1 | L(22.3") L(22.3") |
| 25 | 63V-44375-00 | GROMMET, WATER TUBE 1 PASSE-FIL, TUBE D'EAU 1 | 1 | 1 | L(22.3") L(22.3") |
| 26 | 63V-44376-00 | GROMMET, WATER TUBE 2 PASSE-FIL, TUBE D'EAU 2 | 1 | 1 | L(22.3") L(22.3") |

63V3100-C190

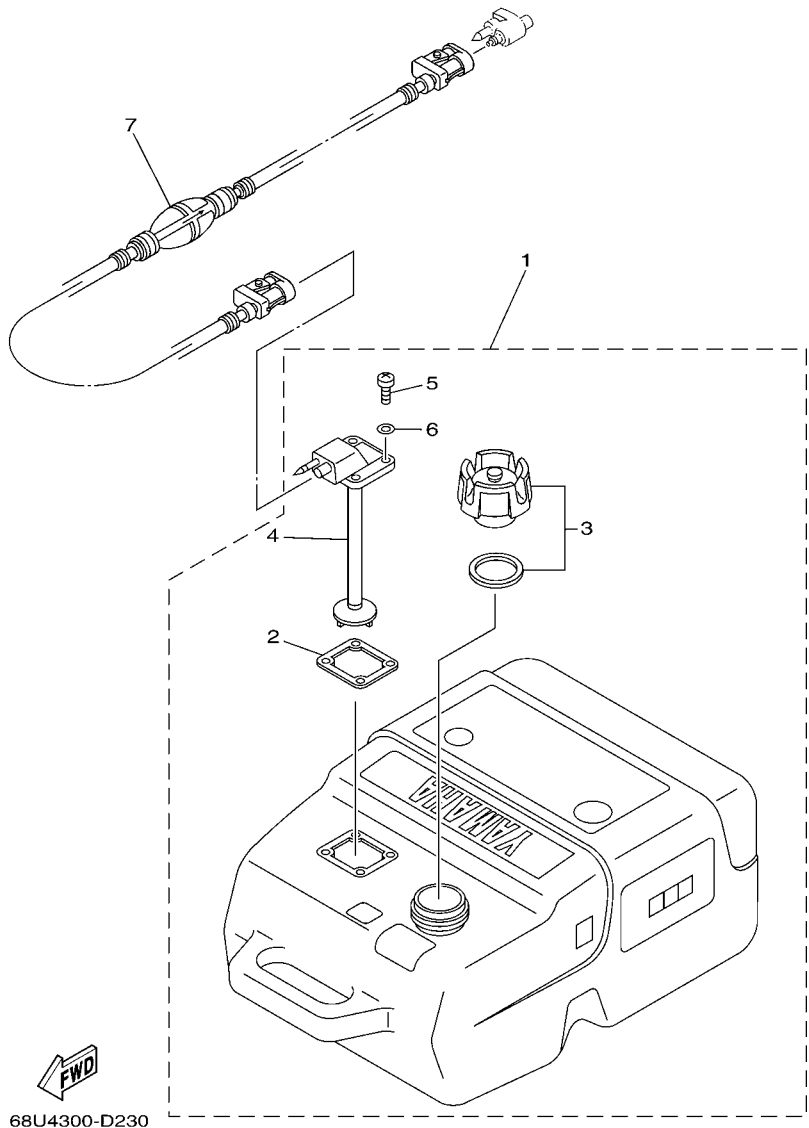
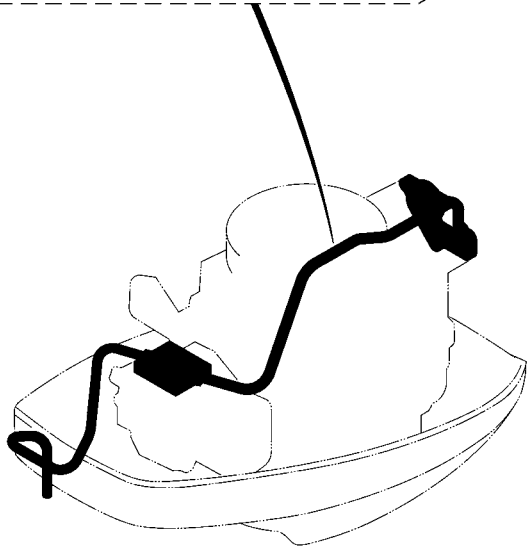
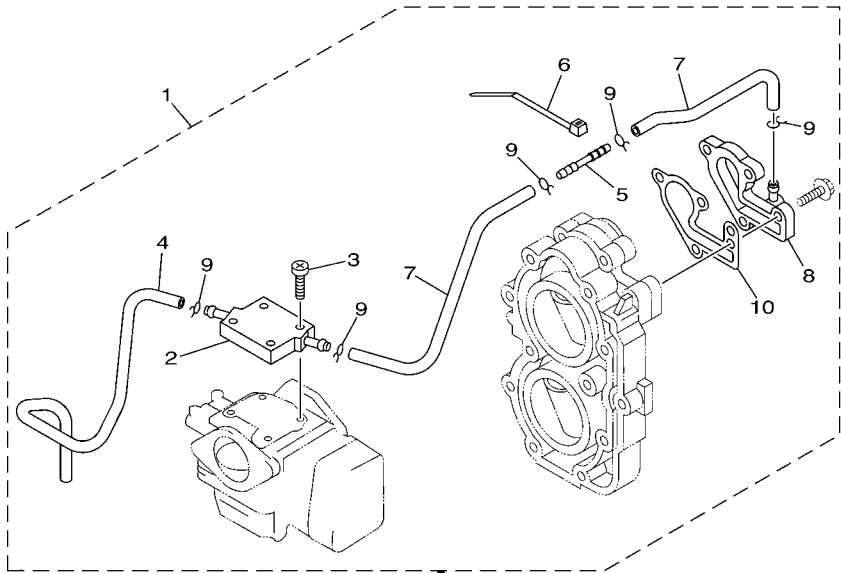


FIG. 19 FUEL TANK

RESERVOIR A CARBURANT

| REF. NO. | PART NO. N° PIECES | DESCRIPTION DESCRIPTION | 63V9 | 63W9 | | REMARKS REMARQUES |
|----------|--------------------|--|------|------|--|-------------------|
| 1 | 6YK-24201-03 | FUEL TANK ASSY (25L) RESERVOIR A ESSENCE (ENS.) 25L | 1 | 1 | | AP AP |
| 2 | 6YL-24268-01 | .GASKET, FUEL METER .JOINT, JAUGE A CARBURANT | 1 | 1 | | |
| 3 | 6YK-24610-01 | .CAP ASSY .BOUCHON | 1 | 1 | | |
| 4 | 6YK-24260-01 | .FUEL METER ASSY .INDICATEUR DE CARBURANT | 1 | 1 | | |
| 5 | 90157-05M16 | .SCREW, PAN HEAD .VIS, TETE TRONCONIQUE | 4 | 4 | | |
| 6 | 6YL-24329-00 | .SEAL .JOINT | 4 | 4 | | |
| 7 | 6YL-24306-54 | FUEL PIPE COMP. 1 DURITE A ESSENCE 1 | 1 | 1 | | AP AP |
| | | | | | | |
| | | | | | | |
| | | | | | | |
| | | | | | | |
| | | | | | | |
| | | | | | | |
| | | | | | | |
| | | | | | | |
| | | | | | | |
| | | | | | | |
| | | | | | | |
| | | | | | | |
| | | | | | | |
| | | | | | | |
| | | | | | | |



63V5300-E200

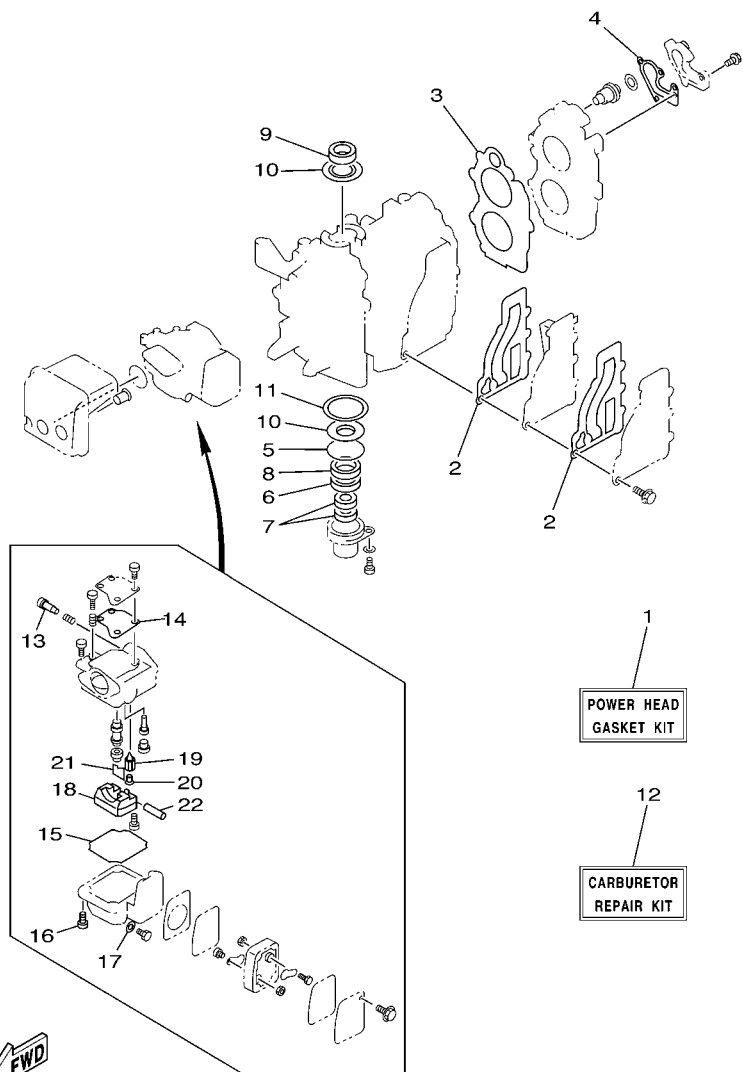
FIG. 20 OPTIONAL PARTS

PIECES OPTIONNELLES

| REF. NO. | PART NO. N° PIECES | DESCRIPTION DESCRIPTION | 63V9 | 63M9 | | REMARKS REMARQUES |
|----------|--------------------|--|------|------|--|-------------------|
| 1 | 63V-12440-51 | HEAT EXCHANGER ASSY ECHANGEUR DE CHALEUR | 1 | 1 | | AP AP |
| 2 | 63V-12466-50 | .EXCHANGER, HEAT .ECHANGEUR DE CHALEUR | 1 | 1 | | |
| 3 | 97885-04020 | .SCREW, PAN HEAD .VIS, A ENCOCHE | 4 | 4 | | |
| 4 | 90445-09M08 | .HOSE (L550) .DURITE (L550) | 1 | 1 | | |
| 5 | 6E5-83558-10 | .END, NIPPLE .RACCORD DE NIPPLE | 1 | 1 | | |
| 6 | 90465-11M10 | .CLAMP .BRIDE | 1 | 1 | | |
| 7 | 90445-09M54 | .HOSE (L225) .DURITE (L225) | 2 | 2 | | |
| 8 | 63V-12413-50 | .COVER, THERMOSTAT .COUVERCLE, THERMOSTAT | 1 | 1 | | |
| 9 | 90467-08M10 | .CLIP .JONC | 5 | 5 | | |
| 10 | 682-12414-A1 | .GASKET, COVER .JOINT, COUVERCLE | 1 | 1 | | |

FIG. 21 REPAIR KIT 1

KITS DE REPARATION 1



63V2100-3210

| REF. NO. | PART NO. N° PIECES | DESCRIPTION DESCRIPTION | 63V9 | 63W9 | | REMARKS REMARQUES |
|----------|--------------------|--|------|------|--|-------------------|
| 1 | 63V-W0001-02 | POWER HEAD GASKET KIT POCHETTE DE JINTS TETE MOTRICE | 1 | 1 | | |
| 2 | 63V-41112-A0 | .GASKET, EXHAUST INNER COVER .JOINT, PLAQUE D'ECHAPPEMENT | 2 | 2 | | |
| 3 | 63V-11181-A2 | .GASKET, CYLINDER HEAD 1 .JOINT, DE CULASSE 1 | 1 | 1 | | |
| 4 | 682-12414-A1 | .GASKET, COVER .JOINT, COUVERCLE | 1 | 1 | | |
| 5 | 93210-46M16 | .O-RING .JOINT TORIQUE | 1 | 1 | | |
| 6 | 93101-25018 | .OIL SEAL .JOINT SPY | 1 | 1 | | |
| 7 | 93101-13018 | .OIL SEAL .JOINT SPY | 2 | 2 | | |
| 8 | 93102-25M48 | .OIL SEAL .JOINT SPY | 1 | 1 | | |
| 9 | 93110-23M00 | .OIL SEAL .JOINT SPY | 1 | 1 | | |
| 10 | 63V-11445-00 | .SPACER .ENTRETOISE | 2 | 2 | | |
| 11 | 90201-46M29 | .WASHER, PLATE .RONDELLE, PLATE | 1 | 1 | | |
| 12 | 63V-W0093-00 | CARBURETOR REPAIR KIT KIT DE REPARATION CARBURATEUR | 1 | 1 | | |
| 13 | 679-14923-00 | .SCREW, PILOT .VIS, RALENTI | 1 | 1 | | |
| 14 | 63V-14126-00 | .GASKET .JOINT | 1 | 1 | | |
| 15 | 63V-14984-00 | .GASKET, FLOAT CHAMBER .JOINT, CUVE DE FLOTTEUR | 1 | 1 | | |
| 16 | 97980-04114 | .SCREW, WITH WASHER .VIS, AVEC RONDELLE | 4 | 4 | | |
| 17 | 65W-14398-00 | .GASKET .JOINT | 1 | 1 | | |
| 18 | 63V-14985-00 | .FLOAT .FLOTTEUR | 1 | 1 | | |
| 19 | 6G1-14546-01 | .VALVE, NEEDLE .POINTEAU | 1 | 1 | | |
| 20 | 676-14186-00 | .PIN, FLOAT .AXE, FLOTTEUR | 1 | 1 | | |
| 21 | 663-14159-00 | .CLIP .JONC | 1 | 1 | | |
| 22 | 6H4-14548-00 | .PIN, FLOAT ARM .AXE, BRAS DE FLOTTEUR | 1 | 1 | | |

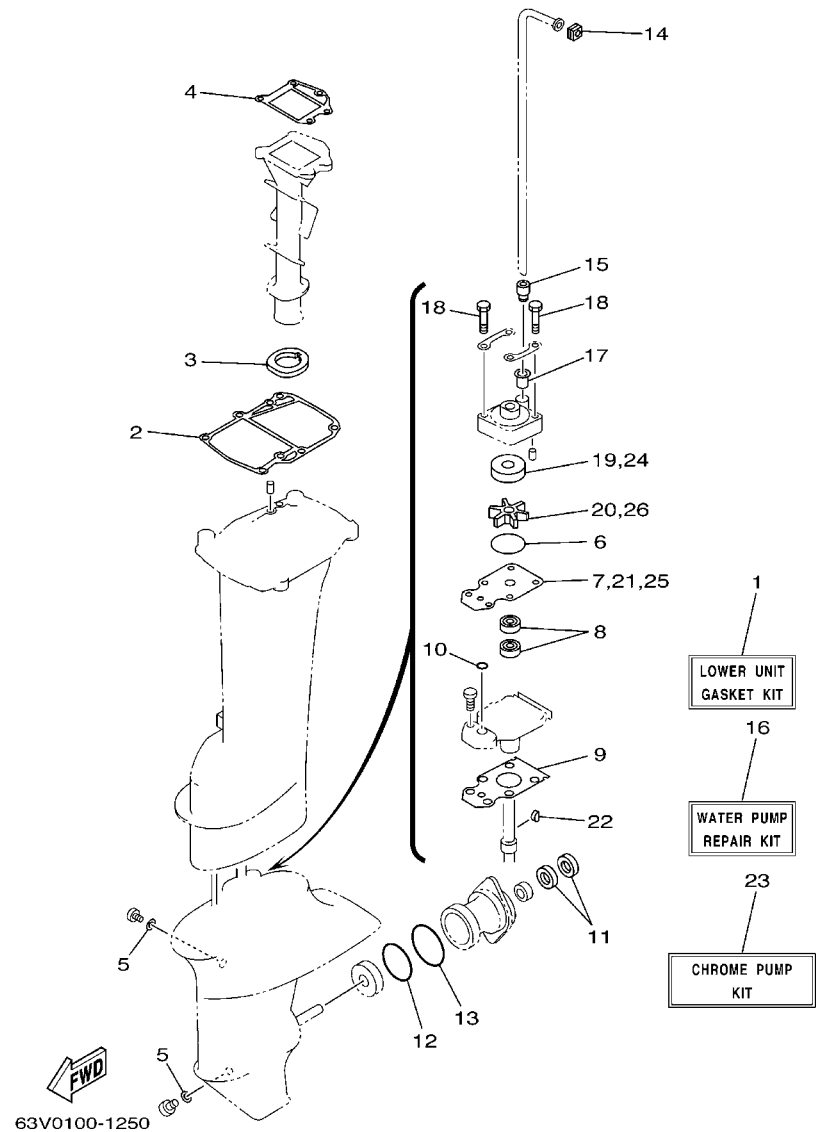


FIG. 22 REPAIR KIT 2

KITS DE REPARATION 2

| REF. NO. | PART NO. N° PIECES | DESCRIPTION DESCRIPTION | 63V9 | 63W9 | | REMARKS REMARQUES |
|----------|--------------------|---|------|------|--|-------------------|
| 1 | 63V-W0001-22 | LOWER UNIT GASKET KIT POCHETTE DE JOINTS EMBASE | 1 | 1 | | |
| 2 | 63V-45113-A1 | .GASKET, UPPER CASING .JOINT, TUBE D'ARBRE | 1 | 1 | | |
| 3 | 63V-41135-00 | .GASKET, EXHAUST MANIFOLD .JOINT, PIPE D'ECHAPPEMENT | 1 | 1 | | |
| 4 | 63V-41133-A1 | .GASKET, EXHAUST MANIFOLD 1 .JOINT, PIPE D'ECHAPPEMENT | 1 | 1 | | |
| 5 | 90430-08020 | .GASKET .JOINT | 2 | 2 | | |
| 6 | 93210-44398 | .O-RING .JOINT TORIQUE | 1 | 1 | | |
| 7 | 63V-44323-00 | .OUTER PLATE, CARTRIDGE .PLAQUE EXTERIEURE | 1 | 1 | | |
| 8 | 93101-20048 | .OIL SEAL .JOINT SPY | 2 | 2 | | |
| 9 | 63V-45315-A0 | .PACKING, LOWER CASING .JOINT, BOITIER D'HELICE | 1 | 1 | | |
| 10 | 93210-06ME6 | .O-RING .JOINT TORIQUE | 1 | 1 | | |
| 11 | 93101-17054 | .OIL SEAL .JOINT SPY | 2 | 2 | | |
| 12 | 93210-57M09 | .O-RING .JOINT TORIQUE | 1 | 1 | | |
| 13 | 93210-56M80 | .O-RING .JOINT TORIQUE | 1 | 1 | | |
| 14 | 63V-44365-10 | .DAMPER, WATER SEAL .JOINT, TUBE D'EAU | 1 | 1 | | |
| 15 | 63V-44368-00 | .RUBBER, WATER SEAL 4 .CAOUTCHOUC EAU JUNTA 4 | 1 | 1 | | |
| 16 | 63V-W0078-01 | WATER PUMP REPAIR KIT KIT DE REPARATION DE LA POMPE | 1 | 1 | | |
| 17 | 647-44366-00 | .DAMPER, WATER SEAL .JOINT, TUBE D'EAU | 1 | 1 | | |
| 18 | 97080-08045 | .BOLT .BOULON | 4 | 4 | | |
| 19 | 63V-44322-00 | .INSERT, CARTRIDGE .CUVETTE | 1 | 1 | | |
| 20 | 63V-44352-01 | .IMPELLER .TURBINE | 1 | 1 | | |
| 21 | 63V-44323-00 | .OUTER PLATE, CARTRIDGE .PLAQUE EXTERIEURE | 1 | 1 | | |
| 22 | 63V-44338-00 | .KEY, WOODRUFF .CLAVETTE, VOLANT | 1 | 1 | | |
| 23 | 63V-W0078-0A | CHROME PUMP KIT KIT DE POMPE A EAU CHROMEE | 1 | 1 | | |
| 24 | 63V-44322-40 | .INSERT, CARTRIDGE .CUVETTE | 1 | 1 | | |
| 25 | 63V-44323-40 | .OUTER PLATE, CARTRIDGE .PLAQUE EXTERIEURE | 1 | 1 | | |
| 26 | 63V-44352-01 | .IMPELLER .TURBINE | 1 | 1 | | |

NUMERICAL INDEX
INDEX NUMERIQUE

| PART NO. N° PIECES | REF. NO. | PART NO. N° PIECES | REF. NO. | PART NO. N° PIECES | REF. NO. | PART NO. N° PIECES | REF. NO. | PART NO. N° PIECES | REF. NO. | PART NO. N° PIECES | REF. NO. |
|-----------------------|-------------|-----------------------|-------------|-----------------------|-------------|-----------------------|-------------|-----------------------|-------------|-----------------------|-------------|
| 6E7-11111-01-1S | 2 - 18 | 63V-14527-00 | 5 - 4 | 6G1-24304-02 | 6 - 1 | 661-41262-02 | 12 - 42 | 63V-43111-07-4D | 14 - 1 | 63V-44352-01 | 17 - 13 |
| 63V-11181-A2 | 2 - 19 | 6G1-14546-01 | 5 - 19 | 6YL-24306-54 | 19 - 7 | 6H4-41271-01 | 4 - 14 | 63V-43112-08-4D | 14 - 2 | | 22 - 20 |
| | 21 - 3 | | 21 - 19 | 6YL-24329-00 | 19 - 6 | 689-41273-00 | 4 - 16 | 6J8-43113-01 | 14 - 14 | | 22 - 26 |
| 682-11325-00 | 2 - 8 | 6H4-14548-00 | 5 - 22 | 63V-24396-01 | 6 - 13 | 6J8-41274-00 | 4 - 17 | 648-43114-01 | 14 - 9 | 63V-44361-01 | 18 - 3 |
| 676-11372-00 | 2 - 15 | | 21 - 22 | 63V-24411-00 | 5 - 28 | 63V-41282-00 | 12 - 7 | 6E7-43116-00 | 14 - 8 | 63V-44361-11 | 18 - 3 |
| 63V-11400-01 | 3 - 8 | 679-14555-00 | 5 - 3 | 6G1-24411-00 | 5 - 30 | 63V-41283-01 | 12 - 18 | 6E0-43118-01 | 14 - 6 | 63V-44362-00 | 18 - 24 |
| 63V-11412-00 | 3 - 9 | 679-14923-00 | 5 - 2 | 6G1-24412-01 | 5 - 29 | 63V-41611-00 | 8 - 5 | 69A-43131-00 | 14 - 10 | 63V-44365-10 | 18 - 1 |
| 63V-11422-00 | 3 - 10 | | 21 - 13 | 6L5-24421-00 | 5 - 32 | 63V-41631-01 | 12 - 8 | 689-43160-00 | 14 - 20 | | 22 - 14 |
| 63V-11432-00 | 3 - 11 | 676-14943-29 | 5 - 14 | 6G1-24431-01 | 5 - 31 | 63V-41638-00 | 12 - 21 | 689-43165-00 | 14 - 21 | 647-44366-00 | 17 - 12 |
| 63V-11442-00 | 3 - 12 | 63V-14947-00 | 5 - 13 | 6G1-24452-00 | 5 - 27 | 63V-42111-01-4D | 11 - 1 | 63V-43181-00 | 14 - 45 | | 22 - 17 |
| 63V-11445-00 | 3 - 28 | 63V-14948-06 | 5 - 7 | 61N-24521-00 | 6 - 6 | 664-42119-00 | 11 - 12 | 63V-43191-00 | 14 - 27 | 63V-44366-01 | 15 - 17 |
| | 21 - 10 | 679-14966-00 | 5 - 8 | 61N-24560-00 | 6 - 4 | 6G1-42125-01 | 11 - 9 | 63V-43311-03-4D | 14 - 24 | 63V-44368-00 | 18 - 2 |
| 63V-11515-02 | 3 - 14 | 63V-14980-00 | 5 - 12 | 61N-24563-00 | 6 - 5 | 6G1-42126-00 | 11 - 10 | 682-43318-01 | 14 - 26 | | 22 - 15 |
| 682-11610-01 | 3 - 22 | 63V-14984-00 | 5 - 11 | 682-24566-01 | 6 - 11 | 6G1-42131-02 | 11 - 6 | 66M-43350-01 | 14 - 31 | 63V-44375-00 | 18 - 25 |
| 682-11610-11 | 3 - 22 | | 21 - 15 | 6YK-24610-01 | 19 - 3 | 6H2-42137-00 | 11 - 13 | 689-43373-01 | 15 - 3 | 63V-44376-00 | 18 - 26 |
| 682-11610-21 | 3 - 22 | 63V-14985-00 | 5 - 18 | 6L2-26301-01 | 11 - 23 | 6G1-42138-01 | 11 - 20 | 66R-43611-00 | 14 - 39 | 6BL-44391-00 | 10 - 19 |
| 6E7-11631-00-97 | 3 - 21 | | 21 - 18 | 63V-28199-7B-D0 | 6 - 15 | 63V-42154-00 | 13 - 11 | 63V-43614-10 | 14 - 36 | 63V-44514-01-5B | 15 - 13 |
| 634-11633-00 | 3 - 23 | 6G1-14992-00 | 5 - 17 | 63V-28199-7B-E0 | 6 - 15 | 6E0-42159-02 | 11 - 21 | 66R-43615-00 | 14 - 38 | 63V-44526-00 | 15 - 14 |
| 6E7-11635-00 | 3 - 21 | 63V-15100-02-1S | 2 - 2 | 63V-28199-7B-F0 | 6 - 15 | 6G1-42177-00 | 11 - 15 | 66R-43617-00 | 14 - 43 | 63V-44551-01-4D | 15 - 21 |
| 6E7-11636-00 | 3 - 21 | 63V-15396-01-94 | 3 - 1 | 63V-28199-7B-G0 | 6 - 15 | 63V-42192-00 | 13 - 15 | 66M-43630-01 | 14 - 25 | 682-44555-00 | 15 - 23 |
| 650-11651-04 | 3 - 16 | 63V-15705-01 | 7 - 10 | 63V-28199-7B-H0 | 6 - 15 | 63V-42511-04-4D | 15 - 6 | 63V-43641-01 | 14 - 33 | 63V-44557-00 | 15 - 22 |
| 682-11681-00 | 3 - 15 | 63V-15710-13 | 7 - 1 | 63V-28199-7B-S0 | 6 - 15 | 63V-42528-00 | 15 - 2 | 63V-43656-00 | 14 - 44 | 63V-45111-05-4D | 16 - 1 |
| 6E5-12411-30 | 2 - 22 | 63V-15711-02 | 7 - 2 | 63V-28199-8C-K0 | 6 - 16 | 65F-42537-00 | 15 - 8 | 63V-43659-00 | 14 - 41 | 63V-45111-15-4D | 16 - 1 |
| 688-12412-00 | 2 - 23 | 63V-15713-00 | 7 - 7 | 63V-28199-8C-L0 | 6 - 16 | 63V-42610-20-4D | 1 - 1 | 63V-44111-02 | 11 - 24 | 63V-45113-A1 | 16 - 5 |
| 682-12413-00-1S | 2 - 21 | 63V-15714-00 | 7 - 5 | 63V-28199-8C-M0 | 6 - 16 | 63W-42610-20-4D | 1 - 1 | 63V-44116-00 | 12 - 30 | | 22 - 2 |
| 63V-12413-50 | 20 - 8 | 63V-15716-00 | 7 - 9 | 63V-28199-8C-N0 | 6 - 16 | 63V-42610-V1-NA | 1 - 1 | 63V-44121-01 | 12 - 25 | 63V-45114-A1 | 15 - 18 |
| 682-12414-A1 | 2 - 25 | 63V-15726-00 | 7 - 23 | 63V-28199-8C-P0 | 6 - 16 | 63V-42613-01-4D | 1 - 7 | 63V-44122-01 | 12 - 31 | 63V-45126-01 | 16 - 2 |
| | 20 - 10 | 63V-15734-00 | 7 - 22 | 63V-28199-8C-R0 | 6 - 16 | 63V-42613-01-NA | 1 - 7 | 63V-44123-01 | 12 - 24 | 6G1-45214-00 | 18 - 7 |
| | 21 - 4 | 63V-15741-00 | 7 - 6 | 63V-41111-00-1S | 2 - 12 | 63V-42615-00 | 1 - 2 | 63V-44124-02 | 11 - 29 | 63V-45215-00 | 18 - 8 |
| 63V-12440-51 | 20 - 1 | 63V-15744-00 | 7 - 13 | 63V-41112-A0 | 2 - 13 | 6L2-42647-00 | 1 - 5 | 63V-44125-00 | 12 - 27 | 61N-45251-01 | 18 - 11 |
| 63V-12466-50 | 20 - 2 | 63V-15746-10 | 12 - 36 | | 21 - 2 | 6G1-42651-02 | 1 - 3 | 63V-44143-01 | 12 - 33 | 63V-45300-03-4D | 17 - 1 |
| 63V-13610-00 | 4 - 1 | 6L2-15747-00 | 12 - 41 | 63V-41113-00-1S | 2 - 14 | 63V-42677-20 | 1 - 10 | 61N-44146-00 | 12 - 35 | 63V-45300-13-4D | 17 - 1 |
| 63W-13610-00 | 4 - 1 | 63V-15748-00 | 7 - 21 | 65F-41131-00-5B | 16 - 8 | 63W-42677-20 | 1 - 10 | 63V-44150-00 | 17 - 26 | 63V-45311-01-4D | 17 - 2 |
| 63V-13610-10 | 4 - 1 | 63V-15753-00 | 7 - 8 | 63V-41133-A1 | 16 - 10 | 63V-42677-V0 | 1 - 10 | 63V-44150-10 | 17 - 26 | 63V-45315-A0 | 17 - 23 |
| 63V-14126-00 | 5 - 5 | 6G1-15755-00 | 7 - 18 | | 22 - 4 | 63V-42678-10 | 1 - 11 | 6E0-44191-11 | 11 - 28 | | 22 - 9 |
| | 21 - 14 | 63V-15762-00 | 7 - 25 | 63V-41135-00 | 16 - 9 | 63W-42678-10 | 1 - 11 | 688-44194-00 | 12 - 12 | 626-45316-09 | 17 - 21 |
| 663-14159-00 | 5 - 21 | 63V-15764-00 | 7 - 15 | | 22 - 3 | 63V-42678-V0 | 1 - 11 | 689-44194-00 | 12 - 2 | 682-45318-00 | 16 - 13 |
| | 21 - 21 | 63V-15767-01 | 7 - 11 | 63V-41211-00 | 12 - 19 | 63V-42711-03-4D | 10 - 1 | 63V-44301-00 | 17 - 10 | 63V-45331-00-5B | 17 - 20 |
| 676-14186-00 | 5 - 20 | 63V-15768-00 | 7 - 14 | 63V-41223-00 | 12 - 17 | 63V-42716-02 | 10 - 18 | 63V-44322-00 | 17 - 11 | 683-45361-02-4D | 17 - 40 |
| | 21 - 20 | 63V-15770-01 | 12 - 43 | 6H4-41237-00 | 12 - 14 | 682-42725-02 | 10 - 2 | | 22 - 19 | 63V-45375-00 | 18 - 14 |
| 63V-14301-00 | 5 - 1 | 6G1-15779-00 | 7 - 19 | 63V-41238-00 | 12 - 13 | 63V-42726-00 | 10 - 3 | 63V-44322-40 | 22 - 24 | 63V-45510-01 | 17 - 27 |
| 65W-14398-00 | 5 - 16 | 63V-15784-01 | 7 - 12 | 63V-41252-00 | 4 - 18 | 682-42727-00 | 10 - 4 | 63V-44323-00 | 17 - 16 | 63V-45510-11 | 17 - 27 |
| | 21 - 17 | 63V-15793-00 | 7 - 16 | 63V-41253-00 | 4 - 5 | 6G1-42748-00 | 10 - 5 | | 22 - 7 | 63V-45536-00 | 17 - 4 |
| 63V-14440-00 | 4 - 9 | 63V-15794-00 | 7 - 20 | 63V-41256-00 | 4 - 15 | 6E7-42791-10 | 10 - 21 | | 22 - 21 | 63V-45551-00 | 17 - 28 |
| 624-14485-00 | 2 - 3 | 63V-15795-01 | 7 - 3 | 63V-41257-00 | 4 - 8 | 6AH-42794-40 | 10 - 22 | 63V-44323-40 | 22 - 25 | 6E7-45560-01 | 17 - 30 |
| 650-14485-03 | 2 - 4 | 6YK-24201-03 | 19 - 1 | 63V-41262-00 | 4 - 7 | 6AH-42794-50 | 10 - 23 | 63V-44328-00 | 17 - 19 | 664-45567-01 | 17 - 48 |
| 63V-14497-02 | 12 - 1 | 6YK-24260-01 | 19 - 4 | 661-41262-02 | 4 - 19 | 63V-42815-01-4D | 10 - 7 | 63V-44338-00 | 17 - 14 | 664-45567-10 | 17 - 48 |
| 63V-14523-00 | 5 - 9 | 6YL-24268-01 | 19 - 2 | | 12 - 20 | 6E7-42816-00 | 10 - 8 | | 22 - 22 | 664-45567-20 | 17 - 48 |

NUMERICAL INDEX
INDEX NUMERIQUE

| PART NO. N° PIECES | REF. NO. | PART NO. N° PIECES | REF. NO. | PART NO. N° PIECES | REF. NO. | PART NO. N° PIECES | REF. NO. | PART NO. N° PIECES | REF. NO. | PART NO. N° PIECES | REF. NO. |
|-----------------------|-------------|-----------------------|-------------|-----------------------|-------------|-----------------------|-------------|-----------------------|-------------|-----------------------|-------------|
| 664-45567-30 | 17 - 48 | 682-84381-00 | 9 - 17 | 90185-08057 | 11 - 8 | 90387-06M13 | 14 - 16 | 91690-30008 | 14 - 22 | 93306-00501 | 17 - 41 |
| 664-45567-40 | 17 - 48 | 63V-85520-01 | 8 - 3 | | 13 - 26 | 90387-06M15 | 4 - 10 | 91690-30012 | 13 - 4 | 93306-205U7 | 3 - 13 |
| 664-45567-50 | 17 - 48 | 63V-85533-00 | 8 - 4 | 90185-22043 | 14 - 15 | 90387-06M24 | 8 - 8 | 92990-06300 | 18 - 13 | 93310-620V5 | 3 - 17 |
| 664-45567-60 | 17 - 48 | 63V-85540-01 | 9 - 1 | 90201-04M06 | 13 - 16 | 90387-06M50 | 12 - 3 | 92995-06600 | 3 - 7 | 93315-314V8 | 17 - 3 |
| 6E7-45571-00 | 17 - 31 | 63V-85550-11 | 8 - 1 | 90201-05M09 | 4 - 20 | 90387-06M53 | 8 - 6 | | 4 - 4 | 93315-317U2 | 17 - 42 |
| 626-45577-00 | 17 - 32 | 63V-85570-00 | 9 - 6 | 90201-06068 | 10 - 11 | 90387-06M86 | 11 - 26 | | 6 - 3 | 93332-00005 | 17 - 7 |
| 626-45577-10 | 17 - 32 | 63V-85580-01 | 8 - 2 | 90201-08M12 | 13 - 10 | 90387-07M07 | 14 - 29 | | 7 - 27 | 93341-41414 | 17 - 5 |
| 626-45577-20 | 17 - 32 | 63V-W0001-02 | 21 - 1 | 90201-10M01 | 18 - 16 | 90387-16002 | 15 - 16 | | 9 - 3 | 93420-30042 | 16 - 14 |
| 626-45577-30 | 17 - 32 | 63V-W0001-22 | 22 - 1 | 90201-10M02 | 11 - 17 | 90430-08020 | 17 - 9 | | 9 - 8 | 93430-04M03 | 14 - 40 |
| 626-45577-40 | 17 - 32 | 682-W0004-00 | 4 - 2 | | 13 - 14 | | 22 - 5 | | 9 - 13 | 93440-52009 | 3 - 20 |
| 6E8-45587-10 | 17 - 6 | 63V-W0070-11 | 1 - 9 | | 18 - 23 | 90445-07M08 | 2 - 5 | | 9 - 16 | 93450-15023 | 3 - 26 |
| 6E8-45587-30 | 17 - 6 | 63V-W0070-V0 | 1 - 9 | 90201-12472 | 8 - 12 | | 2 - 6 | | 9 - 20 | 93602-14104 | 3 - 24 |
| 683-45611-00 | 17 - 34 | 63V-W0078-01 | 22 - 16 | 90201-14377 | 3 - 25 | 90445-09104 | 2 - 16 | | 10 - 15 | 93604-12M07 | 17 - 17 |
| 682-45631-00 | 17 - 36 | 63V-W0078-0A | 22 - 23 | 90201-16M03 | 2 - 24 | 90445-09M00 | 6 - 9 | | 12 - 6 | | 18 - 4 |
| 648-45633-00 | 17 - 38 | 63V-W0090-03-1S | 2 - 1 | 90201-17682 | 17 - 33 | 90445-09M08 | 20 - 4 | | 12 - 40 | 93606-12019 | 2 - 10 |
| 650-45635-00 | 17 - 35 | 63V-W0093-00 | 21 - 12 | 90201-46M29 | 3 - 29 | 90445-09M54 | 20 - 7 | | 13 - 6 | | 16 - 4 |
| 683-45941-00-EL | 18 - 19 | 656-W2810-02 | 6 - 14 | | 21 - 11 | 90464-08M02 | 9 - 11 | | 14 - 18 | 93700-06M03 | 15 - 1 |
| 683-45943-00-EL | 18 - 19 | 683-W4591-02-EL | 18 - 20 | 90202-06009 | 11 - 30 | 90464-15M11 | 9 - 4 | | 15 - 20 | 94702-00271 | 2 - 27 |
| 63V-45943-10-EL | 18 - 19 | 683-W4592-02-EL | 18 - 20 | 90202-07M60 | 14 - 28 | 90465-08M61 | 9 - 5 | | 16 - 12 | 95380-03600 | 5 - 25 |
| 683-45945-00-EL | 18 - 19 | 90101-06M29 | 14 - 17 | 90202-22M54 | 14 - 11 | 90465-11M10 | 20 - 6 | | 17 - 47 | 95380-05700 | 12 - 15 |
| 63V-45945-10-EL | 18 - 19 | 90105-06M07 | 15 - 4 | 90202-36M55 | 11 - 4 | 90465-25M57 | 10 - 20 | 92995-08600 | 13 - 25 | 95380-06600 | 12 - 10 |
| 63V-45947-00-EL | 18 - 19 | 90105-06M68 | 8 - 7 | 90206-10M04 | 13 - 13 | 90467-06016 | 2 - 7 | | 16 - 7 | | 13 - 7 |
| 683-45947-00-EL | 18 - 19 | 90105-06M69 | 8 - 9 | 90206-12052 | 10 - 10 | 90467-08004 | 6 - 10 | | 18 - 6 | 95380-06700 | 10 - 13 |
| 683-45949-00-EL | 18 - 19 | 90105-07M05 | 2 - 20 | 90206-15M18 | 11 - 27 | 90467-08M10 | 20 - 9 | 93101-13018 | 3 - 5 | | 12 - 34 |
| 683-45952-00-EL | 18 - 19 | 90109-06M84 | 14 - 46 | 90206-36M21 | 11 - 3 | 90468-10005 | 12 - 16 | | 21 - 7 | | 14 - 19 |
| 63V-45952-10-EL | 18 - 19 | 90116-08016 | 11 - 7 | 90209-20M23 | 3 - 18 | 90468-18008 | 11 - 31 | 93101-17054 | 17 - 43 | 95380-08600 | 6 - 8 |
| 6E7-45986-00 | 18 - 21 | 90116-08M54 | 15 - 12 | 90209-40008 | 15 - 7 | | 13 - 9 | | 22 - 11 | | 15 - 15 |
| 6E7-45987-01 | 18 - 15 | 90119-06M05 | 11 - 25 | 90243-04M01 | 14 - 7 | 90480-06M19 | 10 - 6 | 93101-20048 | 17 - 22 | 95780-08300 | 13 - 19 |
| 663-48344-00 | 13 - 8 | 90119-06M94 | 4 - 13 | 90250-05010 | 17 - 37 | 90480-10M16 | 12 - 44 | | 22 - 8 | 95895-06012 | 12 - 29 |
| 63V-48501-00 | 13 - 1 | 90119-06MA2 | 2 - 26 | 90266-04M04 | 1 - 4 | 90480-12M25 | 4 - 11 | 93101-25018 | 3 - 3 | 95895-06030 | 18 - 12 |
| 63V-48511-01 | 13 - 23 | 90119-06MA4 | 2 - 17 | | 1 - 6 | 90480-15M31 | 10 - 17 | | 21 - 6 | 95895-06065 | 12 - 4 |
| 63V-48531-00 | 13 - 2 | 90119-08M07 | 2 - 11 | 90269-02M09 | 11 - 14 | 90480-25161 | 9 - 9 | 93102-25M48 | 3 - 4 | 97013-06010 | 6 - 12 |
| 63V-48534-00 | 13 - 18 | 90149-05M13 | 11 - 16 | 90280-05013 | 8 - 10 | 90501-10326 | 5 - 10 | | 21 - 8 | 97075-08030 | 18 - 5 |
| 682-48538-50 | 13 - 3 | 90152-05M04 | 18 - 9 | 90340-08002 | 17 - 8 | 90501-12M16 | 12 - 11 | 93110-23M00 | 3 - 27 | 97075-08035 | 13 - 24 |
| 63V-48544-00 | 13 - 20 | 90157-05014 | 14 - 34 | 90386-07M95 | 14 - 30 | 90501-14M06 | 17 - 39 | | 21 - 9 | 97080-08025 | 17 - 25 |
| 6J8-81960-00 | 9 - 18 | 90157-05M16 | 19 - 5 | 90386-08032 | 11 - 19 | 90501-23215 | 11 - 18 | 93210-06ME6 | 17 - 24 | 97080-08045 | 17 - 18 |
| 6AH-81994-40 | 7 - 30 | 90157-06M06 | 16 - 3 | 90386-10009 | 13 - 22 | 90502-10M07 | 14 - 23 | | 22 - 10 | | 22 - 18 |
| 6AH-81994-50 | 7 - 31 | 90159-05M25 | 12 - 26 | 90386-10025 | 13 - 12 | 90507-20M00 | 14 - 32 | 93210-29M94 | 15 - 10 | 97095-06012 | 9 - 12 |
| 6AH-81995-40 | 7 - 28 | | 12 - 28 | 90386-12M45 | 10 - 9 | 90508-08M39 | 12 - 38 | 93210-32738 | 6 - 7 | | 9 - 15 |
| 6AH-81995-50 | 7 - 29 | | 12 - 32 | 90386-22M94 | 14 - 12 | 90508-16M37 | 12 - 22 | 93210-35M86 | 4 - 12 | | 12 - 5 |
| 63V-82127-00 | 15 - 5 | | 13 - 21 | | 14 - 13 | 90508-18M41 | 14 - 37 | 93210-44398 | 17 - 15 | 97095-06016 | 3 - 6 |
| 66M-82148-00 | 14 - 3 | 90164-05M03 | 4 - 21 | 90386-30048 | 15 - 9 | 90508-20M38 | 12 - 23 | | 22 - 6 | | 9 - 19 |
| 6E3-82370-21 | 9 - 10 | 90170-12066 | 8 - 11 | 90386-30M60 | 15 - 11 | 91490-16010 | 11 - 11 | 93210-46M16 | 3 - 2 | | 13 - 5 |
| 662-82519-00 | 9 - 14 | 90171-10M01 | 18 - 17 | 90386-33M96 | 11 - 5 | 91490-16018 | 7 - 24 | | 21 - 5 | 97095-06018 | 9 - 7 |
| 682-82556-00 | 11 - 33 | 90171-10M07 | 18 - 22 | 90386-34M97 | 11 - 2 | 91490-20010 | 13 - 17 | 93210-56M80 | 17 - 45 | | 15 - 19 |
| 65W-82575-01 | 11 - 32 | 90179-06M28 | 15 - 26 | 90387-06034 | 10 - 16 | 91490-30020 | 18 - 18 | | 22 - 13 | 97095-06020 | 4 - 3 |
| 689-8257Y-00 | 11 - 34 | 90179-08M06 | 17 - 29 | 90387-06M05 | 7 - 4 | 91609-20008 | 3 - 19 | 93210-57M09 | 17 - 44 | | 6 - 2 |
| 6E5-83558-10 | 20 - 5 | 90185-05002 | 18 - 10 | 90387-06M06 | 12 - 37 | 91690-20010 | 4 - 6 | | 22 - 12 | | 7 - 26 |

NUMERICAL INDEX
INDEX NUMERIQUE

| PART NO. N° PIECES | REF. NO. | PART NO. N° PIECES | REF. NO. | PART NO. N° PIECES | REF. NO. | PART NO. N° PIECES | REF. NO. | PART NO. N° PIECES | REF. NO. |
|-----------------------|-------------|-----------------------|-------------|-----------------------|-------------|-----------------------|-------------|-----------------------|-------------|
| 97095-06020 | 9 - 2 | | | | | | | | |
| | 12 - 39 | | | | | | | | |
| | 16 - 11 | | | | | | | | |
| | 17 - 46 | | | | | | | | |
| 97095-06025 | 10 - 12 | | | | | | | | |
| | 10 - 14 | | | | | | | | |
| 97095-08030 | 16 - 6 | | | | | | | | |
| 97575-06555 | 15 - 24 | | | | | | | | |
| 97575-06575 | 15 - 25 | | | | | | | | |
| 97595-06516 | 1 - 8 | | | | | | | | |
| 97803-04010 | 5 - 6 | | | | | | | | |
| 97885-04020 | 20 - 3 | | | | | | | | |
| 97885-05012 | 11 - 22 | | | | | | | | |
| 97885-06008 | 14 - 4 | | | | | | | | |
| 97885-06030 | 12 - 9 | | | | | | | | |
| 97885-08010 | 14 - 5 | | | | | | | | |
| 97980-04114 | 5 - 15 | | | | | | | | |
| | 21 - 16 | | | | | | | | |
| 97980-04125 | 5 - 26 | | | | | | | | |
| 98580-04006 | 5 - 33 | | | | | | | | |
| 98580-04008 | 5 - 23 | | | | | | | | |
| 98780-05015 | 2 - 9 | | | | | | | | |
| 98980-03006 | 5 - 24 | | | | | | | | |
| 99080-05600 | 14 - 35 | | | | | | | | |
| | 14 - 42 | | | | | | | | |