



**PARTS
CATALOGUE
CATALOGO
DE REPUESTOS**

E40G'09 (6F68)

E40J'09 (6J48)

E40G/E40J
PARTS CATALOGUE
©2008 by Yamaha Motor Co., Ltd.
1st edition, August 2008
All rights reserved.
Any reprinting or unauthorized use
without the written permission of
Yamaha Motor Co., Ltd.
is expressly prohibited.
Printed in Japan.

E40G/E40J
CATALOGO DE REPUESTOS
©2008 por Yamaha Motor Co., Ltd.
1ª edición, agosto 2008
Todos los derechos reservados.
Toda reproducción o uso no autorizado
sin el consentimiento escrito de
Yamaha Motor Co., Ltd.
quedan expresamente prohibidos
Impreso en Japón.

FOREWORD

This Parts Catalogue is related to the parts for the model(s) on the cover page. When you are ordering replacement parts, please refer to this Parts Catalogue and quote both part numbers and part names correctly.

1. Modifications or additions which have been made after the issue of the Parts Catalogue will be announced in the Parts News.
It is advisable that you make the necessary corrections to the Parts Catalogue according to the Parts News.

2. Abbreviations

The following abbreviations are used in this Parts Catalogue.

- “UR” Use specified parts number.
- “UN” Use as many as needed.
- “AP” Alternate Parts
- “LM” Locally Made (Parts need to be ordered locally)
- “F#” Frame No. (Applicable machine No.)
- “O/S” Over Size

3. The number of components for assembly

- Parts, which are to be supplied in an assembly, are listed with a dot (.) in front of the part name as shown below.
- The numeral appearing to the right of each component part indicates the quantity of parts for each assembly unit.

| PART NO. | DESCRIPTION | Q'TY | REMARKS |
|--------------|--------------------------|------|---------|
| 2F5-83310-60 | FRONT FLASHER LIGHT ASSY | 2 | |
| 115-83311-60 | .BULB (6V-18W) | 1 | |

4. Applicable colours of graphics are represented in the “REMARKS” as shown below.

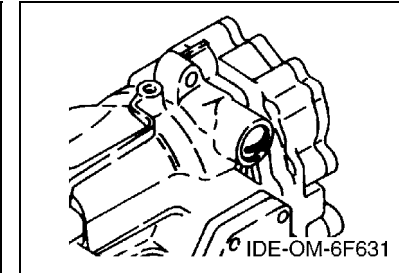
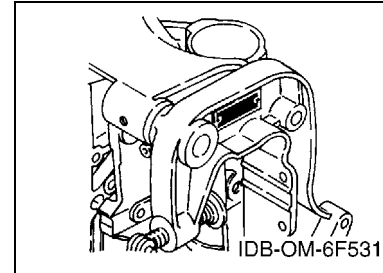
| PART NO. | DESCRIPTION | Q'TY | REMARKS |
|-----------------|---------------------|------|---------|
| 2N4-24110-00-X5 | FUEL TANK COMP. | 2 | MXR |
| 3J1-24240-10 | .GRAPHIC, FUEL TANK | 1 | FOR MXR |

5. Note that the illustrations for reference in finding parts numbers are not to be used for assembling. When assembling, please use the applicable service manual.

6. The asterisk (*) before a reference number indicates modified items after the first edition.

7. Applicable Serial No.

Engine Serial No.



8. Applicable Engine Starting Serial No.

| Model | Serial No. | Model | Serial No. |
|-------|--------------|-------|--------------|
| E40G | 6F6K-1050659 | E40J | 6J4K-1021362 |
| | | | |
| | | | |
| | | | |

9. Applicable Colour Code

| Abbreviation | Colour Name | Colour Code |
|--------------|-----------------------------|-------------|
| DBNM2 | DARK BLUISH GRAY METALLIC 2 | 004D |

10. Quantity Column Information

| Column No. | Name Of Q'ty Column | Applicable Model |
|------------|---------------------|------------------|
| 1 | E40M | E40GMH |
| 2 | 40MH | E40JMH |
| 3 | E40W | E40GWH |
| 4 | 40WH | E40JWH |
| 5 | 40W | E40JW |

PROLOGO

Este catálogo de repuestos corresponde a las piezas para el o los modelos que figuran en la página de portada. Al formular el pedido de repuestos, se ruega citar este catálogo y especificar correctamente el número y el nombre de las piezas.

- Las modificaciones y agregados que se hayan realizado después de la edición de este Catálogo de Repuestos, serán anunciados en las Informaciones de Recambios. Es recomendable que se hagan las correcciones necesarias en el Catálogo de Repuestos de acuerdo con las Informaciones de Recambios.

2. Abreviaciones

En este. Catálogo de Repuestos se emplean las siguientes abreviaciones.

“UR” Usar el número de partes especificado

“UN” Usar la cantidad necesaria

“AP” Piezas sustitutivas

“LM” Fabricación local (Hay que pedir los repuestos en las cercanías)

“F#” N° de bastidor (N° aplicable a la máquina)

“O/S” Sobredimensionado

3. La cantidad de componentes para el montaje

- Los componentes, suministrados como conjunto, se describen con un punto (.) que precede al nombre del parte como se indica a continuación.
- La numeración que aparece a la derecha de cada descripción indica la cantidad de partes por cada unidad de conjunto.

| CODIGO N° | DESCRIPCION | CANT. | OBSERVACIONES |
|--------------|----------------------|-------|---------------|
| 2F5-83310-60 | ENSAMBLAJE DE LA LUZ | 2 | |
| 115-83311-60 | .BOMBILLA (6V-18W) | 1 | |

4. Los colores de los componentes se indican como sigue en la columna de “OBSERVACIONES”.

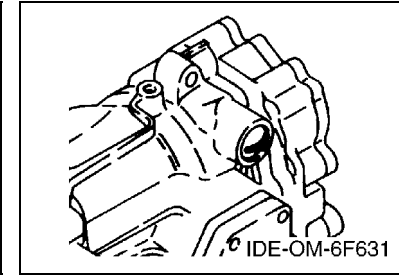
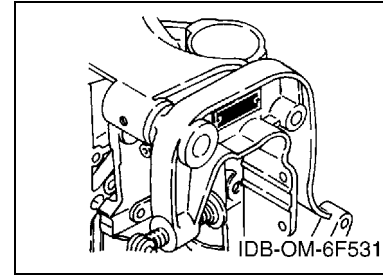
| CODIGO N° | DESCRIPCION | CANT. | OBSERVACIONES |
|-----------------|----------------------|-------|---------------|
| 2N4-24110-00-X5 | COMP. DEL TANQUE | 2 | MXR |
| 3J1-24240-10 | .GRAFICO, DEL TANQUE | 1 | PARA MXR |

- Debe tenerse en cuenta que las ilustraciones sirven como guía para la búsqueda de los números de partes y no deben usarse para el montaje. Durante el montaje, se recomienda usar el manual de taller correspondiente.

- EL asterisco (*) antes del número de referencia indica los elementos modificados después de la primera edición.

7. Números de serie

N° de Serie del motor



8. Números de serie del motor

| Modelo | N° de serie | Modelo | N° de serie |
|--------|--------------|--------|--------------|
| E40G | 6F6K-1050659 | E40J | 6J4K-1021362 |
| | | | |
| | | | |
| | | | |

9. Códigos de color aplicables

| Abreviatura | Nombre de color | Código de color |
|-------------|-----------------------------|-----------------|
| DBNM2 | DARK BLUISH GRAY METALLIC 2 | 004D |

10. Información para la columna de cantidades

| Columna N° | Nombre de la columna de cantidades | Modelo aplicable |
|------------|------------------------------------|------------------|
| 1 | E40M | E40GMH |
| 2 | 40MH | E40JMH |
| 3 | E40W | E40GWH |
| 4 | 40WH | E40JWH |
| 5 | 40W | E40JW |

CONTENTS

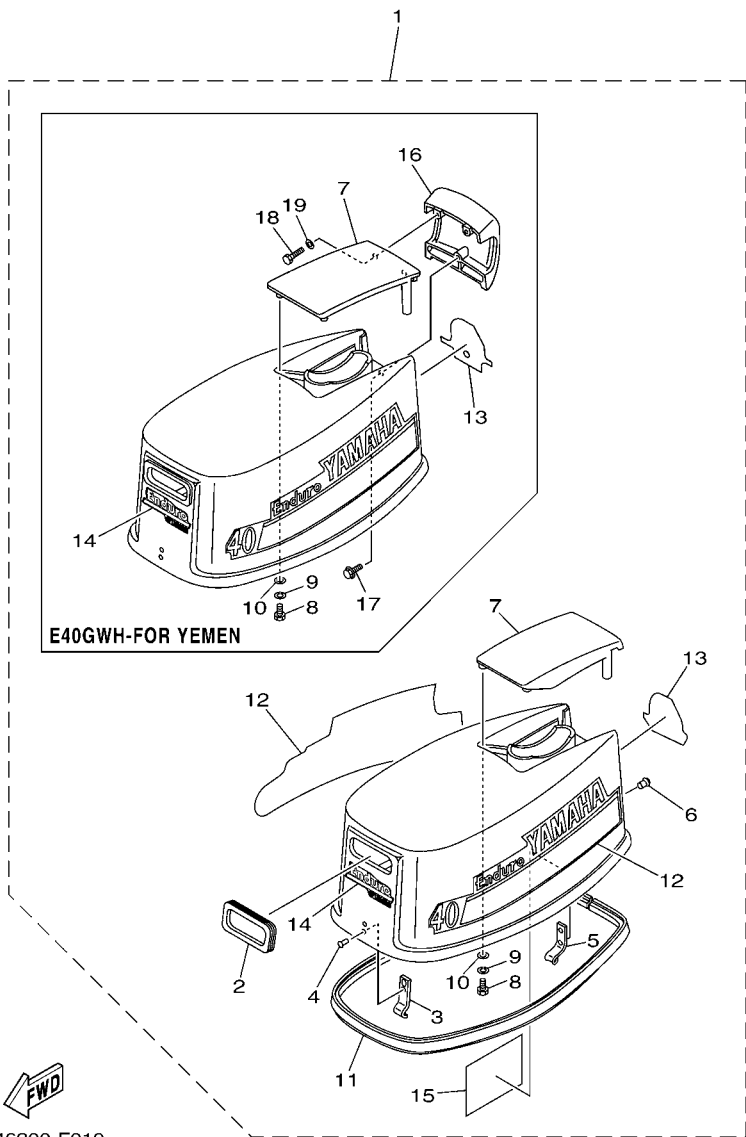
| | |
|------------------------------|----|
| TOP COWLING | 1 |
| CYLINDER & CRANKCASE | 2 |
| CRANKSHAFT & PISTON | 4 |
| INTAKE | 5 |
| CARBURETOR | 7 |
| FUEL | 8 |
| STARTER | 10 |
| GENERATOR | 13 |
| ELECTRICAL 1 | 14 |
| ELECTRICAL 2 | 16 |
| ELECTRICAL 3 | 17 |
| STARTING MOTOR | 19 |
| BOTTOM COWLING | 20 |
| STEERING | 22 |
| CONTROL 1 | 24 |
| CONTROL 2 | 26 |
| BRACKET 1 | 27 |
| BRACKET 2 | 30 |
| UPPER CASING 1 | 32 |
| UPPER CASING 2 | 33 |
| LOWER CASING & DRIVE 1 | 34 |
| LOWER CASING & DRIVE 2 | 38 |
| LOWER CASING & DRIVE 3 | 40 |
| LOWER CASING & DRIVE 4 | 43 |
| FUEL TANK | 45 |
| REMOTE CONTROL BOX | 46 |
| REMOTE CONTROL ASSY | 47 |
| REPAIR KIT 1 | 50 |
| REPAIR KIT 2 | 52 |
| REPAIR KIT 3 | 53 |
| INDEX | |
| NUMERICAL INDEX | 54 |

CONTENIDO

| | |
|-------------------------------|----|
| SOPORTE SUPERIOR | 1 |
| CYLINDRO & CARTER | 2 |
| CIGUENAL & PISTON | 4 |
| ADMISION | 5 |
| CARBURADOR | 7 |
| COMBUSTIBLE | 8 |
| ARRANQUE | 10 |
| GENERADOR | 13 |
| EQUIPO ELECTRICO 1 | 14 |
| EQUIPO ELECTRICO 2 | 16 |
| EQUIPO ELECTRICO 3 | 17 |
| MOTOR DE ARRANQUE | 19 |
| CUBIERTA INFERIOR | 20 |
| DIRECCION | 22 |
| CONTROL 1 | 24 |
| CONTROL 2 | 26 |
| SOPORTE 1 | 27 |
| SOPORTE 2 | 30 |
| FUNDA SUPERIOR 1 | 32 |
| FUNDA SUPERIOR 2 | 33 |
| IMPULSOR E INFERIOR 1 | 34 |
| IMPULSOR E INFERIOR 2 | 38 |
| IMPULSOR E INFERIOR 3 | 40 |
| IMPULSOR E INFERIOR 4 | 43 |
| DEPOSITO DE COMBUSTIBLE | 45 |
| CONTROL REMOTO COMPLETO | 46 |
| CONTROL REMOTO COMPL | 47 |
| ESTUCHE REPARATION 1 | 50 |
| ESTUCHE REPARATION 2 | 52 |
| ESTUCHE REPARATION 3 | 53 |
| INDICE | |
| INDICE NUMERICO | 54 |

FIG. 1 TOP COWLING

SOPORTE SUPERIOR



6J46200-F010

| REF. NO. | PART NO. CODIGO Nº | DESCRIPTION DESCRIPCION | E40M | 40MH | E40W | 40WH | 40W | REMARKS OBSERVACIONES |
|----------|--------------------|---|------|------|------|------|-----|------------------------------------|
| 1 | 6J4-42610-J0-4D | TOP COWLING ASSY SOPORTE SUPERIOR COMPL. | 1 | 1 | | 1 | 1 | EXCEPT E40G-YEM EXCEPT E40G-YEM |
| | 6F6-42610-10-4D | TOP COWLING ASSY SOPORTE SUPERIOR COMPL. | | | 1 | | | E40G-FOR YEM E40G-FOR YEM |
| 2 | 6A0-15761-00 | .SEAL, RUBBER 1 .SELLO DE GOMA 1 | 1 | 1 | 1 | 1 | 1 | |
| 3 | 6E9-42651-01 | .HOOK .GANCHO | 1 | 1 | 1 | 1 | 1 | |
| 4 | 90266-04M04 | .RIVET .REMACHE | 2 | 2 | 2 | 2 | 2 | |
| 5 | 6F5-42652-01 | .HOOK .GANCHO | 1 | 1 | 1 | 1 | 1 | |
| 6 | 90266-04M01 | .RIVET .REMACHE | 2 | 2 | 2 | 2 | 2 | |
| 7 | 6F5-42613-01-4D | .MOLDING, AIR DUCT .MOLDURA CONDUCTO AIRE | 1 | 1 | | 1 | 1 | EXCEPT E40G-YEM EXCEPT E40G-YEM |
| | 6F6-42613-00-4D | .MOLDING, AIR DUCT .MOLDURA CONDUCTO AIRE | | | 1 | | | E40G-FOR YEM E40G-FOR YEM |
| 8 | 97095-06016 | .BOLT .PERNO | 4 | 4 | 4 | 4 | 4 | |
| 9 | 92995-06100 | .WASHER, SPRING .ARANDELA | 4 | 4 | 4 | 4 | 4 | |
| 10 | 92995-06600 | .WASHER .ARANDELA | 4 | 4 | 4 | 4 | 4 | |
| 11 | 6F5-42615-00 | .SEAL .SELLO | 1 | 1 | 1 | 1 | 1 | |
| 12 | 6F5-W0070-K0 | .GRAPHIC SET .JUEGO DE EMBLEMA | 1 | 1 | 1 | 1 | 1 | |
| 13 | 6J4-42678-H0 | .GRAPHIC, REAR .CALCAMONIA TRASERA | 1 | 1 | | 1 | 1 | EXCEPT E40G-YEM EXCEPT E40G-YEM |
| | 6F6-42678-00 | .GRAPHIC, REAR .CALCAMONIA TRASERA | | | 1 | | | E40G-FOR YEM E40G-FOR YEM |
| 14 | 69P-42677-H0 | .GRAPHIC, FRONT .CALCAMONIA FRONTAL | 1 | 1 | 1 | 1 | 1 | |
| 15 | 677-13437-0B | .MARK, CAUTION .MARKER | 1 | 1 | 1 | 1 | 1 | |
| 16 | 6F6-42612-00 | .AIR DUCT, TOP COWLING .DUCTO DE AIRE CUBIERTA | | | 1 | | | E40G-FOR YEM E40G-FOR YEM |
| 17 | 90119-06121 | .BOLT, WITH WASHER .TORNILLO CON ARANDELA | | | 1 | | | E40G-FOR YEM E40G-FOR YEM |
| 18 | 97095-06025 | .BOLT .PERNO | | | | 2 | | E40G-FOR YEM E40G-FOR YEM |
| 19 | 92995-06600 | .WASHER .ARANDELA | | | | 2 | | E40G-FOR YEM E40G-FOR YEM |

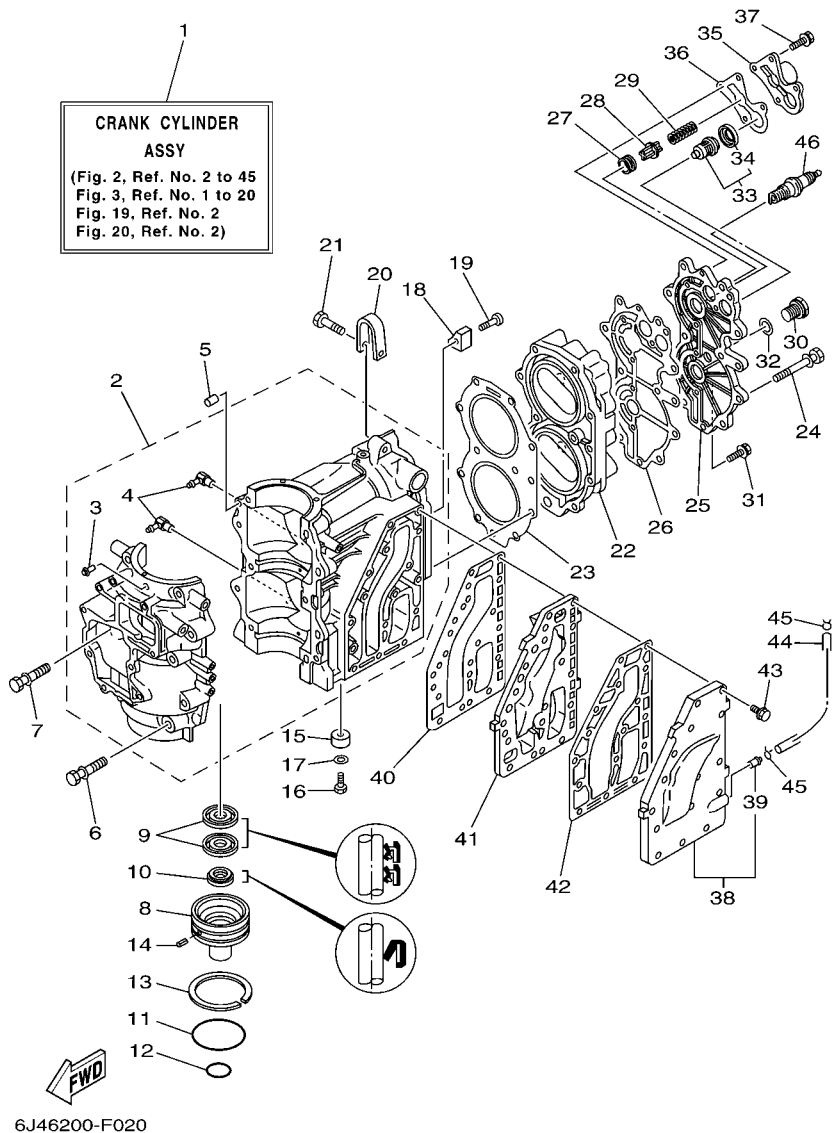


FIG. 2 CYLINDER & CRANKCASE **CYLINDRO & CARTER**

| REF. NO. | PART NO. CODIGO Nº | DESCRIPTION DESCRIPCION | E40M | 40MH | E40W | 40WH | 40W | REMARKS OBSERVACIONES |
|----------|--------------------|---|------|------|------|------|-----|-----------------------|
| 1 | 6F6-W0090-05-1S | CRANK CYLINDER ASSY BLOQUE MOTOR COMPLETO | 1 | 1 | 1 | 1 | 1 | |
| 2 | 6F6-15100-02-1S | CRANKCASE ASSY CARTER COMPLETO | 1 | 1 | 1 | 1 | 1 | |
| 3 | 624-14485-00 | .PIPE, JOINT .TUBO DE UNION | 1 | 1 | 1 | 1 | 1 | |
| 4 | 650-11370-01 | .CHECK VALVE ASSY .VALVULA DE CONTROL COMPL. | 2 | 2 | 2 | 2 | 2 | |
| 5 | 93608-12063 | PIN, DOWEL PASADOR DE CLAVIJA | 2 | 2 | 2 | 2 | 2 | |
| 6 | 90119-10005 | BOLT, WITH WASHER TORNILLO CON ARANDELA | 9 | 9 | 9 | 9 | 9 | |
| 7 | 90119-10028 | BOLT, WITH WASHER TORNILLO CON ARANDELA | 1 | 1 | 1 | 1 | 1 | |
| 8 | 6F5-15396-01-5B | HOUSING, OIL SEAL CAJA DE SELLO DE ACEITE | 1 | 1 | 1 | 1 | 1 | |
| 9 | 93101-30M33 | OIL SEAL SELLO ACEITE | 2 | 2 | 2 | 2 | 2 | |
| 10 | 93104-16M01 | OIL SEAL SELLO ACEITE | 1 | 1 | 1 | 1 | 1 | |
| 11 | 93210-65M50 | O-RING ANILLO O | 1 | 1 | 1 | 1 | 1 | |
| 12 | 93210-22M02 | O-RING ANILLO O | 1 | 1 | 1 | 1 | 1 | |
| 13 | 93440-68M03 | CIRCLIP SEGURO | 1 | 1 | 1 | 1 | 1 | |
| 14 | 91690-30010 | PIN, SPRING PASADOR DE RESORTE | 1 | 1 | 1 | 1 | 1 | |
| 15 | 676-45251-00 | ANODE CATODE | 1 | 1 | 1 | 1 | 1 | |
| 16 | 97095-06016 | BOLT PERNO | 1 | 1 | 1 | 1 | 1 | |
| 17 | 92995-06600 | WASHER ARANDELA | 1 | 1 | 1 | 1 | 1 | |
| 18 | 676-11325-00 | ANODE ANODO | 1 | 1 | 1 | 1 | 1 | |
| 19 | 90141-06M00 | SCREW, COUNTERSUNK TORNILLO RANURADO | 1 | 1 | 1 | 1 | 1 | |
| 20 | 6F5-11119-00 | HANGER, ENGINE SOPORTE DEL MOTOR | 1 | 1 | 1 | 1 | 1 | |
| 21 | 90101-08001 | BOLT TORNILLO | 1 | 1 | 1 | 1 | 1 | |
| 22 | 6F6-11111-00-1S | HEAD, CYLINDER 1 CULATA CILINDRO 1 | 1 | 1 | 1 | 1 | 1 | |
| 23 | 6F5-11181-A1 | GASKET, CYLINDER HEAD 1 JUNTA, DE CULATA 1 | 1 | 1 | 1 | 1 | 1 | |
| 24 | 90119-08MA5 | BOLT, WITH WASHER TORNILLO CON ARANDELA | 11 | 11 | 11 | 11 | 11 | |
| 25 | 6F6-11191-00-1S | COVER, CYLINDER HEAD 1 TAPA CULATA DE CILINDRO 1 | 1 | 1 | 1 | 1 | 1 | |
| 26 | 6F6-11193-A1 | GASKET, HEAD COVER 1 EMPAQUE | 1 | 1 | 1 | 1 | 1 | |
| 27 | 90480-18065 | GROMMET TAPON | 1 | 1 | 1 | 1 | 1 | |

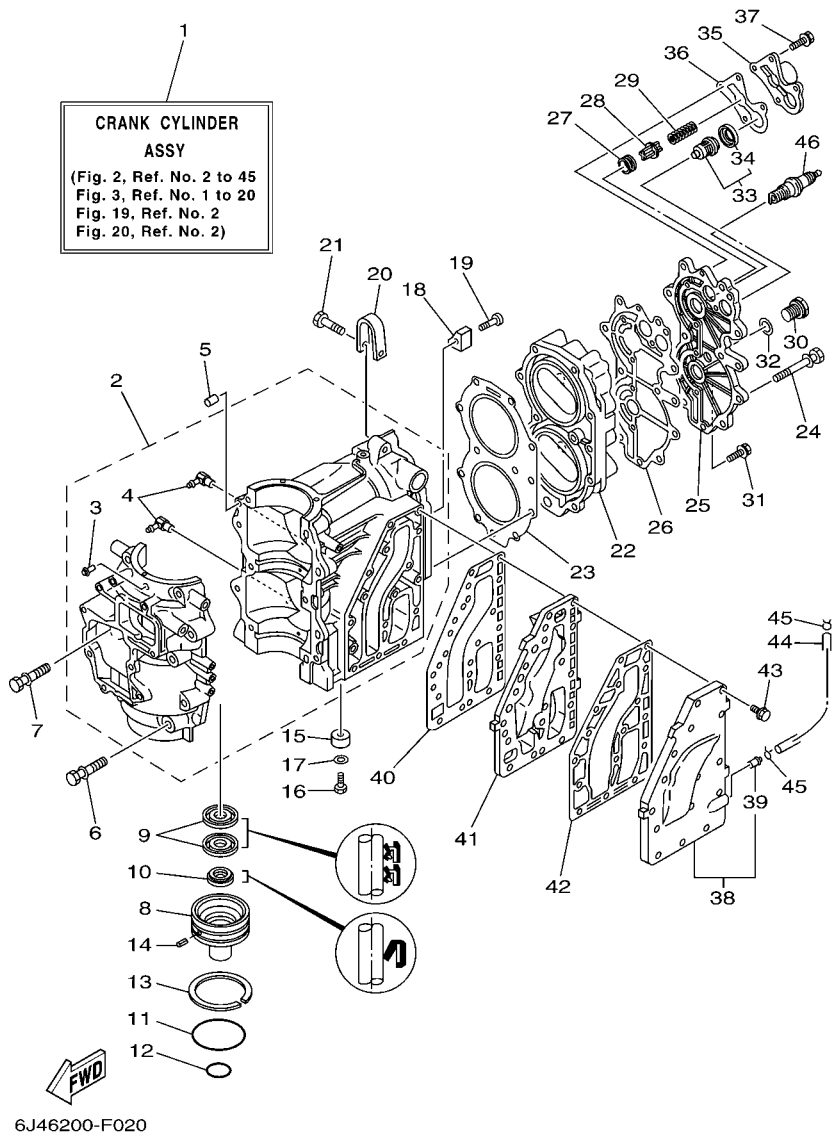
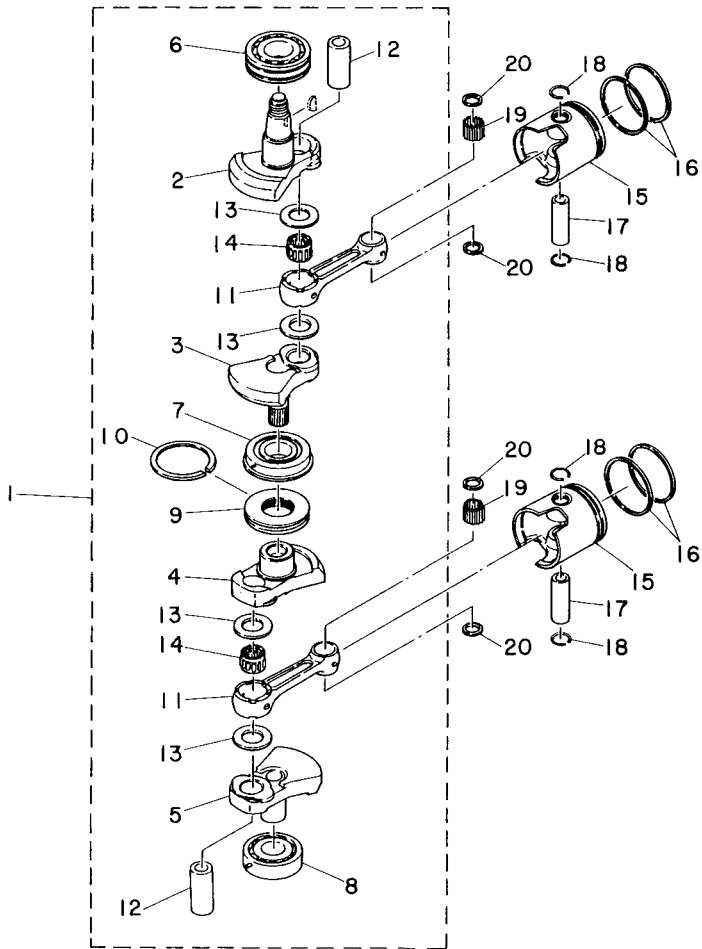


FIG. 2 CYLINDER & CRANKCASE CYLINDRO & CARTER

| REF. NO. | PART NO. CODIGO Nº | DESCRIPTION DESCRIPCION | E40M | 40MH | E40W | 40WH | 40W | REMARKS OBSERVACIONES |
|----------|--------------------|--|------|------|------|------|-----|------------------------------------|
| 28 | 663-12416-00 | VALVE, PRESSURE CONTROL VALVULA DE CONTROL DE PRESION | 1 | 1 | 1 | 1 | 1 | |
| 29 | 90501-14M02 | SPRING, COMPRESSION RESORTE DE COMPRESION | 1 | 1 | 1 | 1 | 1 | |
| 30 | 90340-14036 | PLUG, STRAIGHT SCREW TORNILLO, DE DRENAJE | 1 | 1 | 1 | 1 | 1 | |
| 31 | 90119-06MA3 | BOLT, WITH WASHER TORNILLO CON ARANDELA | 4 | 4 | 4 | 4 | 4 | |
| 32 | 90430-14115 | GASKET JUNTA | 1 | 1 | 1 | 1 | 1 | |
| 33 | 6F5-12411-03 | THERMOSTAT TERMOSTAT | 1 | 1 | 1 | 1 | 1 | |
| 34 | 6E5-12412-00 | .SEAL, THERMOSTAT .SELLO TERMOSTATO | 1 | 1 | 1 | 1 | 1 | |
| 35 | 6E9-12413-00-1S | COVER, THERMOSTAT CUBIERTA TERMOSTATO | 1 | 1 | 1 | 1 | 1 | |
| 36 | 6E9-12414-A1 | GASKET, COVER EMPAQUE | 1 | 1 | 1 | 1 | 1 | |
| 37 | 90119-06MA4 | BOLT, WITH WASHER TORNILLO CON ARANDELA | 4 | 4 | 4 | 4 | 4 | |
| 38 | 6F5-41113-01-1S | OUTER COVER, EXHAUST CUBOERTA EXTERIOR DE ESCAPE | 1 | 1 | 1 | 1 | 1 | |
| 39 | 650-24378-00 | .PIPE, JOINT 4 .TUBO DE UNION 3 | 1 | 1 | 1 | 1 | 1 | |
| 40 | 6F5-41112-A0 | GASKET, EXHAUST INNER COVER EMPAQUE | 1 | 1 | 1 | 1 | 1 | |
| 41 | 6F5-41111-01-1S | INNER COVER, EXHAUST CUBIERTA INTERIOR DE ESCAPE | 1 | 1 | 1 | 1 | 1 | |
| 42 | 6F5-41114-A0 | GASKET, EXHAUST OUTER COVER EMPAQUE | 1 | 1 | 1 | 1 | 1 | |
| 43 | 90119-06MA3 | BOLT, WITH WASHER TORNILLO CON ARANDELA | 16 | 16 | 16 | 16 | 16 | |
| 44 | 90445-09M37 | HOSE (L240) TUBO (L240) | 1 | 1 | 1 | 1 | 1 | |
| 45 | 90467-08004 | CLIP PRESILLA | 2 | 2 | 2 | 2 | 2 | |
| 46 | 94702-00040 | PLUG, SPARK (NGK B7HS) BUJIA (NGK B7HS) | 2 | 2 | 2 | 2 | 2 | EXCEPT E40J-CHN EXCEPT E40J-CHN |
| | 94702-00272 | PLUG, SPARK (NGK BR7HS) BUJIA (NGK BR7HS) | | 2 | | 2 | | E40J-FOR CHN E40J-FOR CHN |



6J40200-4030

FIG. 3 CRANKSHAFT & PISTON

CIGUENAL & PISTON

| REF. NO. | PART NO. CODIGO Nº | DESCRIPTION DESCRIPCION | E40M | 40MH | E40W | 40WH | 40W | REMARKS OBSERVACIONES |
|----------|--------------------|--|------|------|------|------|-----|-----------------------|
| 1 | 6F6-11400-02 | CRANKSHAFT ASSY CIGUENAL COMPLETO | 1 | 1 | 1 | 1 | 1 | |
| 2 | 6F5-11412-11 | .CRANK 1 .MANIVELA 1 | 1 | 1 | 1 | 1 | 1 | |
| 3 | 6F5-11422-11 | .CRANK 2 .MANIVELA 2 | 1 | 1 | 1 | 1 | 1 | |
| 4 | 6F5-11432-11 | .CRANK 3 .MANIVELA 3 | 1 | 1 | 1 | 1 | 1 | |
| 5 | 6F5-11442-11 | .CRANK 4 .MANIVELA 4 | 1 | 1 | 1 | 1 | 1 | |
| 6 | 93306-307U0 | .BEARING .COJINETE | 1 | 1 | 1 | 1 | 1 | |
| 7 | 93332-000UE | .BEARING .COJINETE | 1 | 1 | 1 | 1 | 1 | |
| 8 | 93306-306U2 | .BEARING .COJINETE | 1 | 1 | 1 | 1 | 1 | |
| 9 | 6F5-11515-00 | .SEAL, LABYRINTH 1 .SELLO LABERINTO 1 | 1 | 1 | 1 | 1 | 1 | |
| 10 | 93440-68M03 | .CIRCLIP .SEGURO | 1 | 1 | 1 | 1 | 1 | |
| 11 | 6F5-11651-00 | .ROD, CONNECTING .BIELA | 2 | 2 | 2 | 2 | 2 | |
| 12 | 6F5-11681-00 | .PIN, CRANK 1 .PASADOR MANIVELA 1 | 2 | 2 | 2 | 2 | 2 | |
| 13 | 90209-27012 | .WASHER .ARANDELA DE SEPARACION | 4 | 4 | 4 | 4 | 4 | |
| 14 | 93310-727V7 | .BEARING .COJINETE DE RODILLOS | 2 | 2 | 2 | 2 | 2 | |
| 15 | 6F6-11631-00-95 | PISTON (STD) PISTON (NORMA) | 2 | 2 | 2 | 2 | 2 | |
| | 6F6-11635-00 | PISTON (0.25MM O/S) PISTON (0.25MM O/S) | 2 | 2 | 2 | 2 | 2 | AP AP |
| | 6F6-11636-00 | PISTON (0.50MM O/S) PISTON (0.50MM O/S) | 2 | 2 | 2 | 2 | 2 | AP AP |
| 16 | 6F5-11610-00 | PISTON RING SET (STD) JUEGO DE AROS (NORMA) | 2 | 2 | 2 | 2 | 2 | |
| | 6F5-11610-10 | PISTON RING SET (0.25MM O/S) JUEGO DE AROS (0.25MM O/S) | 2 | 2 | 2 | 2 | 2 | AP AP |
| | 6F5-11610-20 | PISTON RING SET (0.50MM O/S) JUEGO DE AROS (0.50MM O/S) | 2 | 2 | 2 | 2 | 2 | AP AP |
| 17 | 6F5-11633-00 | PIN, PISTON PASADOR, PISTON | 2 | 2 | 2 | 2 | 2 | |
| 18 | 663-11634-00 | CLIP, PISTON PIN PRESILLA, BULON DE PISTON | 4 | 4 | 4 | 4 | 4 | |
| 19 | 93603-21111 | PIN, DOWEL PASADOR DE CLAVIJA | 56 | 56 | 56 | 56 | 56 | |
| 20 | 90201-20417 | WASHER, PLATE ARANDELA PLANA | 4 | 4 | 4 | 4 | 4 | |

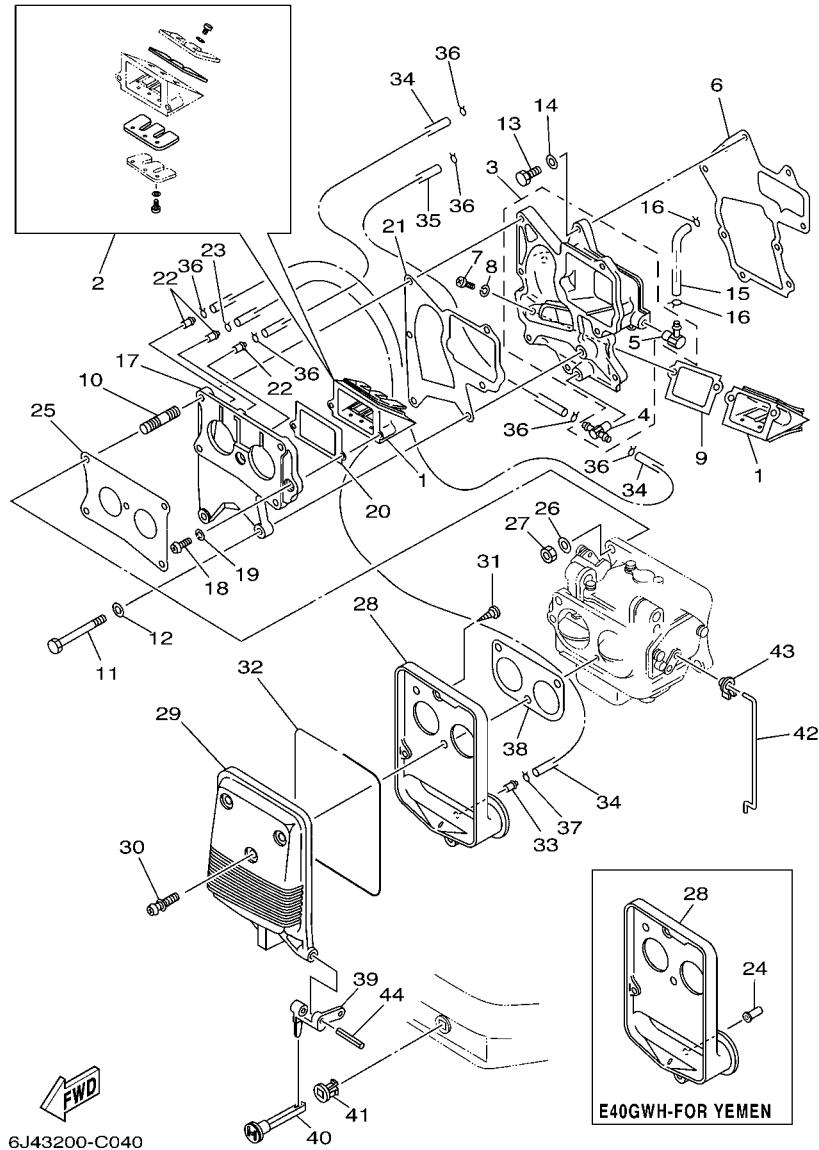


FIG. 4 INTAKE

ADMISION

| REF. NO. | PART NO. CODIGO Nº | DESCRIPTION DESCRIPCION | E40M | 40MH | E40W | 40WH | 40W | REMARKS OBSERVACIONES |
|----------|--------------------|---|------|------|------|------|-----|------------------------------------|
| 1 | 6F6-13610-00 | REED VALVE ASSY VALVULA DE LAMINAS COMPLETA | 2 | 2 | 2 | 2 | 2 | |
| 2 | 692-W0004-00 | .REED SET .JUEGO DE VALVULAS DE LENGUETA | 1 | 1 | 1 | 1 | 1 | |
| 3 | 6F6-13641-00-1S | MANIFOLD 1 MULTIPLE 1 | 1 | 1 | 1 | 1 | 1 | |
| 4 | 6F6-11370-01 | .CHECK VALVE ASSY .VALVULA DE CONTROL COMPL. | 1 | 1 | 1 | 1 | 1 | |
| 5 | 650-11370-01 | .CHECK VALVE ASSY .VALVULA DE CONTROL COMPL. | 1 | 1 | 1 | 1 | 1 | |
| 6 | 6F5-13646-A2 | GASKET, MANIFOLD 2 EMPAQ. DE MULTIPLE 2 | 1 | 1 | 1 | 1 | 1 | |
| 7 | 97880-05014 | SCREW, PAN HEAD TORNILLO DE CABEZA CON PLANA | 2 | 2 | 2 | 2 | 2 | |
| 8 | 92990-05100 | WASHER, SPRING ARANDELA PLANA | 2 | 2 | 2 | 2 | 2 | |
| 9 | 6F5-13621-A1 | GASKET, VALVE SEAT JUNTA, DE VALV.DE EMPAQUE | 1 | 1 | 1 | 1 | 1 | |
| 10 | 90116-06M17 | BOLT, STUD ESPARRAGO | 4 | 4 | 4 | 4 | 4 | |
| 11 | 97013-06065 | BOLT PERNO | 2 | 2 | 2 | 2 | 2 | |
| 12 | 92903-06600 | WASHER, PLATE RONDANA SENCILLA | 2 | 2 | 2 | 2 | 2 | |
| 13 | 97013-06025 | BOLT PERNO | 7 | 7 | 7 | 7 | 7 | |
| 14 | 92903-06600 | WASHER, PLATE RONDANA SENCILLA | 7 | 7 | 7 | 7 | 7 | |
| 15 | 90445-07254 | HOSE (L118) TUBO (L118) | 1 | 1 | 1 | 1 | 1 | |
| 16 | 90467-06016 | CLIP PRESILLA | 2 | 2 | 2 | 2 | 2 | |
| 17 | 6F6-13643-01-1S | COVER, MANIFOLD CUBIERTA DE COLECTOR | 1 | 1 | 1 | 1 | 1 | |
| 18 | 97880-05014 | SCREW, PAN HEAD TORNILLO DE CABEZA CON PLANA | 2 | 2 | 2 | 2 | 2 | |
| 19 | 92990-05100 | WASHER, SPRING ARANDELA PLANA | 2 | 2 | 2 | 2 | 2 | |
| 20 | 6F5-13621-A1 | GASKET, VALVE SEAT JUNTA, DE VALV.DE EMPAQUE | 1 | 1 | 1 | 1 | 1 | |
| 21 | 6F5-13645-A1 | GASKET, MANIFOLD 1 EMPAQUE | 1 | 1 | 1 | 1 | 1 | |
| 22 | 624-14485-00 | PIPE, JOINT TUBO DE UNION | 3 | 3 | 3 | 3 | 3 | |
| 23 | 90467-06016 | CLIP PRESILLA | 1 | 1 | | 1 | 1 | EXCEPT E40G-YEM EXCEPT E40G-YEM |
| 24 | 647-14395-60 | CAP, OVERFLOW PIPE TAPA DE TUBO REBOSAMIENTO | | | 1 | | | E40G-FOR YEM E40G-FOR YEM |
| 25 | 6F5-14198-A1 | GASKET EMPAQUE | 1 | 1 | 1 | 1 | 1 | |
| 26 | 92995-06600 | WASHER ARANDELA | 4 | 4 | 4 | 4 | 4 | |
| 27 | 95380-06600 | NUT, HEXAGON TUERCA | 4 | 4 | 4 | 4 | 4 | |

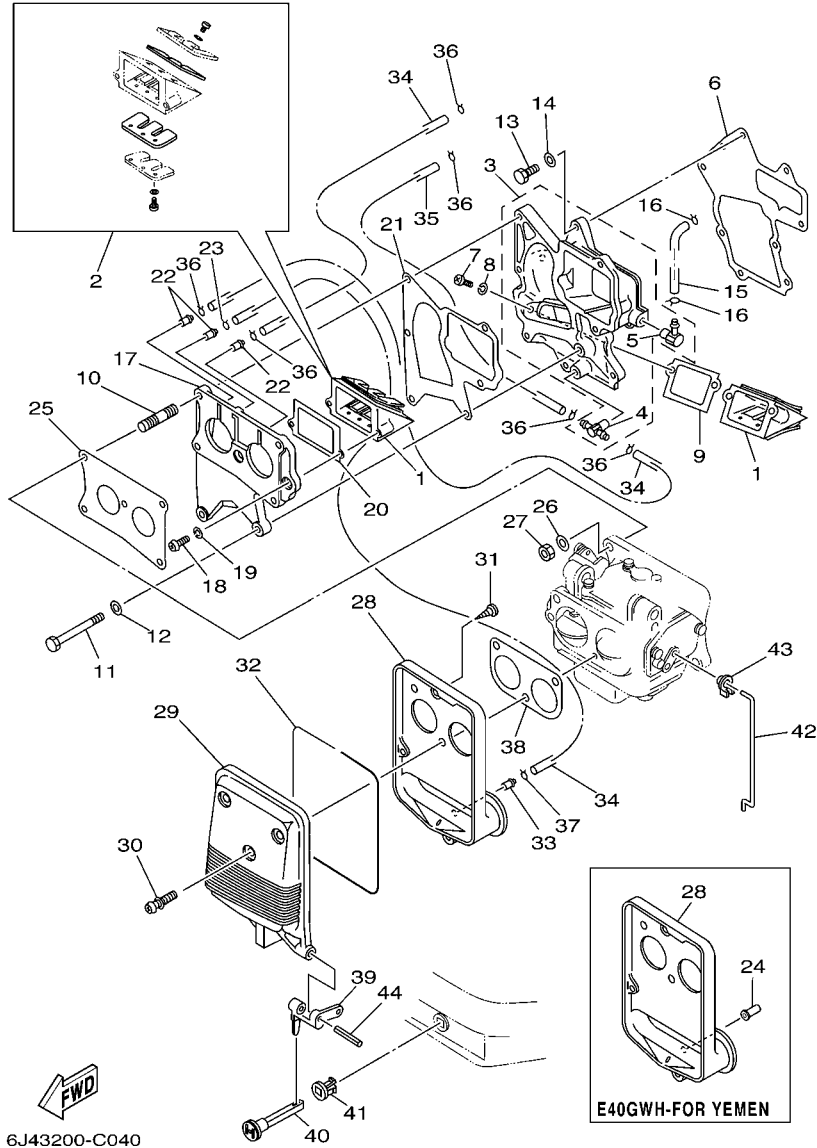
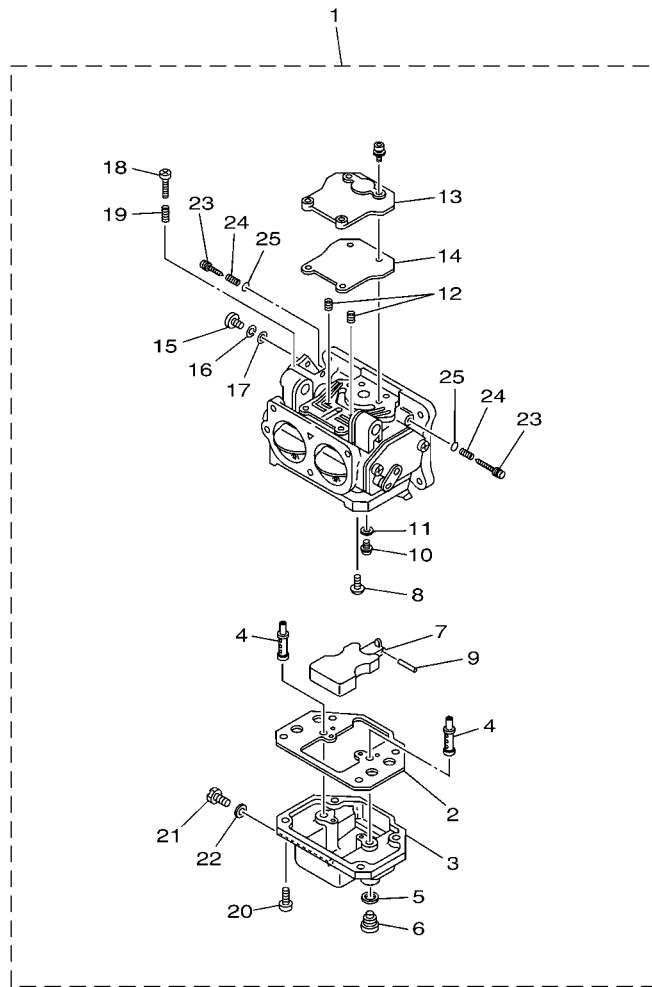


FIG. 4 INTAKE

ADMISION

| REF. NO. | PART NO. CODIGO Nº | DESCRIPTION DESCRIPCION | E40M | 40MH | E40W | 40WH | 40W | REMARKS OBSERVACIONES |
|----------|--------------------|--|------|------|------|------|-----|------------------------------------|
| 28 | 6F5-14417-00 | COVER 1 CUBIERTA 1 | 1 | 1 | 1 | 1 | 1 | |
| 29 | 6F5-14418-00 | COVER 2 CUBIERTA 2 | 1 | 1 | 1 | 1 | 1 | |
| 30 | 90159-06M01 | SCREW, WITH WASHER TORNILLO CON VALONA | 3 | 3 | 3 | 3 | 3 | |
| 31 | 97780-50716 | SCREW, TAPPING TORNILLO DE CABEZA DE CONO ACH | 4 | 4 | 4 | 4 | 4 | |
| 32 | 6F5-14476-00 | SEAL SELLO | 1 | 1 | 1 | 1 | 1 | |
| 33 | 624-14485-00 | PIPE, JOINT TUBO DE UNION | 1 | 1 | | 1 | 1 | EXCEPT E40G-YEM EXCEPT E40G-YEM |
| 34 | 90445-07240 | HOSE (L330) TUBO (L330) | 3 | 3 | | 3 | 3 | EXCEPT E40G-YEM EXCEPT E40G-YEM |
| | 90445-07240 | HOSE (L330) TUBO (L330) | | | 2 | | | E40G-FOR YEM E40G-FOR YEM |
| 35 | 90445-07M24 | HOSE (L240) TUBO (L240) | 1 | 1 | 1 | 1 | 1 | |
| 36 | 90467-06016 | CLIP PRESILLA | 6 | 6 | 6 | 6 | 6 | |
| 37 | 90467-06016 | CLIP PRESILLA | 1 | 1 | | 1 | 1 | EXCEPT E40G-YEM EXCEPT E40G-YEM |
| 38 | 6F5-14483-00 | GASKET EMPAQUE | 1 | 1 | 1 | 1 | 1 | |
| 39 | 6F5-41252-00 | LEVER, CHOKE 1 PALANCA AHOGADOR 1 | 1 | 1 | 1 | 1 | 1 | |
| 40 | 682-41271-00 | KNOB, CHOKE PERILLA AHOGADOR | 1 | 1 | 1 | 1 | 1 | |
| 41 | 689-41273-00 | GROMMET TAPON PROTECTOR | 1 | 1 | 1 | 1 | 1 | |
| 42 | 6F6-41256-00 | ROD, CHOKE 1 VARILLA DE AHOGADOR | 1 | 1 | 1 | 1 | 1 | |
| 43 | 661-41262-02 | JOINT, CHOKE LEVER CONECTOR DE AHOGADOR | 2 | 2 | 2 | 2 | 2 | |
| 44 | 91690-40032 | PIN, SPRING PASADOR DE RESORTE | 1 | 1 | 1 | 1 | 1 | |

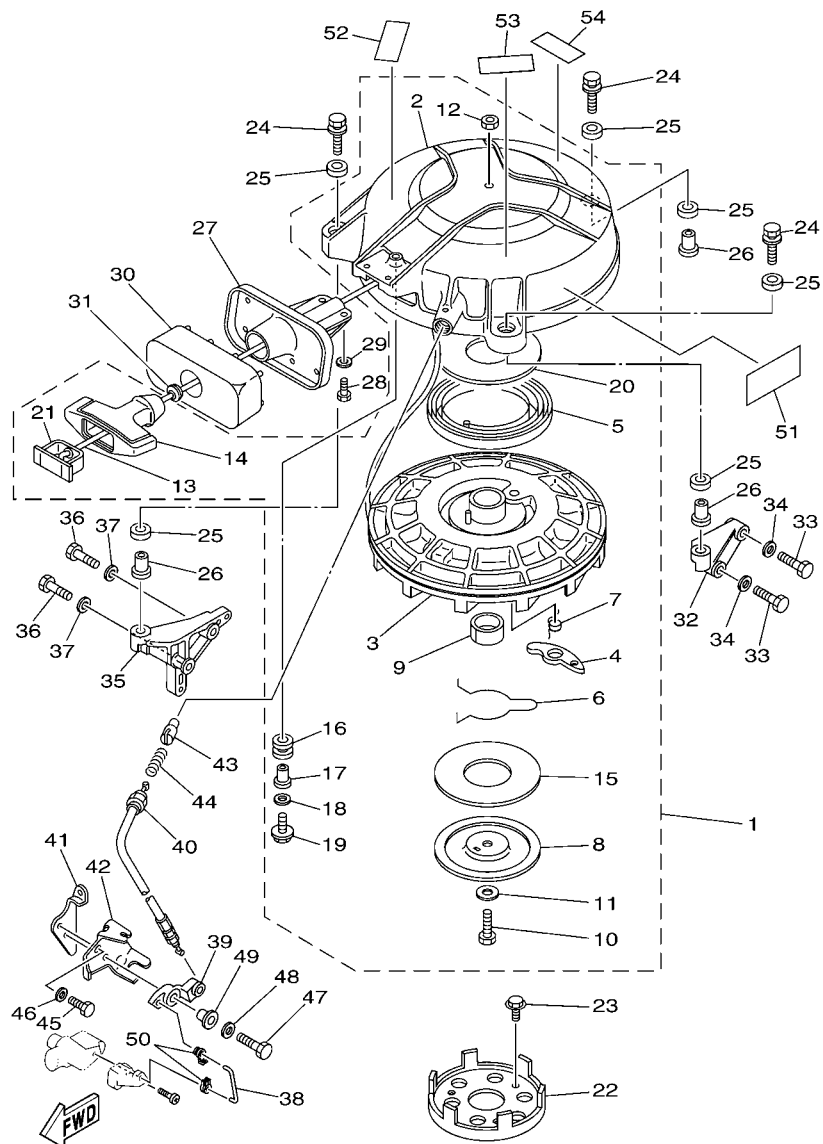


6J46200-F050

FIG. 5 CARBURETOR

CARBURADOR

| REF. NO. | PART NO. CODIGO Nº | DESCRIPTION DESCRIPCION | E40M | 40MH | E40W | 40WH | 40W | REMARKS OBSERVACIONES |
|----------|--------------------|---|------|------|------|------|-----|------------------------|
| 1 | 6F6-14301-06 | CARBURETOR ASSY 1 CARBURADOR COMPLETO 1 | 1 | 1 | 1 | 1 | | E40G/E40J E40G/E40J |
| | 6J4-14301-05 | CARBURETOR ASSY 1 CARBURADOR COMPLETO 1 | | | | | 1 | E40J E40J |
| 2 | 6F5-14384-00 | .GASKET, FLOAT CHAMBER .EMPAQUE DE CAMARA DE BOIA | 1 | 1 | 1 | 1 | 1 | |
| 3 | 6F6-14381-00 | .BODY, FLOAT CHAMBER .CUERPO DE CAMARA DE BOIA | 1 | 1 | 1 | 1 | 1 | |
| 4 | 6F6-14341-00 | .NOZZLE, MAIN .BOQUILLA PRINCIPAL | 2 | 2 | 2 | 2 | 2 | |
| 5 | 1J2-14398-00 | .GASKET .EMPAQUE | 2 | 2 | 2 | 2 | 2 | |
| 6 | 677-14343-75 | .JET, MAIN (#150) .INYECTOR PRINCIPAL (#150) | 2 | 2 | 2 | 2 | 2 | |
| 7 | 6F6-14385-00 | .FLOAT .BOIA | 1 | 1 | 1 | 1 | 1 | |
| 8 | 98980-04006 | .SCREW, BIND .TORNILLO DE LIGAR | 1 | 1 | 1 | 1 | 1 | |
| 9 | 6E5-14386-01 | .PIN, FLOAT .PASADOR DE BOIA | 1 | 1 | 1 | 1 | 1 | |
| 10 | 6F5-14390-21 | .NEEDLE VALVE ASSY .VALVULA DE AGUJA COMPLETA | 1 | 1 | 1 | 1 | 1 | |
| 11 | 367-14195-00 | .GASKET .ARANDELA DE VALVULA DE AGUJA | 1 | 1 | 1 | 1 | 1 | |
| 12 | 647-14342-45 | .JET, PILOT (# 90) .ESPREA DE PILOTO (# 90) | 2 | 2 | 2 | 2 | 2 | |
| 13 | 6F6-14383-00 | .PLATE .TORNILLO DE DRENAJE | 1 | 1 | 1 | 1 | 1 | |
| 14 | 6F5-14398-00 | .GASKET .EMPAQUE | 1 | 1 | 1 | 1 | 1 | |
| 15 | 97890-05010 | .SCREW, PAN HEAD .TORNILLO | 1 | 1 | 1 | 1 | 1 | |
| 16 | 92990-05100 | .WASHER, SPRING .ARANDELA PLANA | 1 | 1 | 1 | 1 | 1 | |
| 17 | 92990-05600 | .WASHER, PLATE .ARANDELA PLANA | 1 | 1 | 1 | 1 | 1 | |
| 18 | 650-14321-01 | .SCREW, THROTTLE .TORNILLO DE OBTURADOR | 1 | 1 | 1 | 1 | 1 | |
| 19 | 647-14334-00 | .SPRING .RESORTE DE AJUSTADOR DE AIRE | 1 | 1 | 1 | 1 | 1 | |
| 20 | 97603-05117 | .SCREW, PAN HEAD WITH WASHER .TORNILLO | 4 | 4 | 4 | 4 | 4 | |
| 21 | 6F5-14383-10 | .SCREW, DRAIN .TORNILLO DE DRENAJE | 1 | 1 | 1 | 1 | 1 | |
| 22 | 6F6-14398-00 | .GASKET .EMPAQUE | 1 | 1 | 1 | 1 | 1 | |
| 23 | 6F5-14323-01 | .SCREW, AIR ADJUSTING .TORNILLO DE AJUSTE DE AIRE | 2 | 2 | 2 | 2 | 2 | |
| 24 | 6F5-14334-01 | .SPRING, AIR ADJUSTING .RESORTE DE AJUSTADOR DE AIRE | 2 | 2 | 2 | 2 | 2 | |
| 25 | 5Y1-14397-00 | .O-RING .ANILLO O | 2 | 2 | 2 | 2 | 2 | |



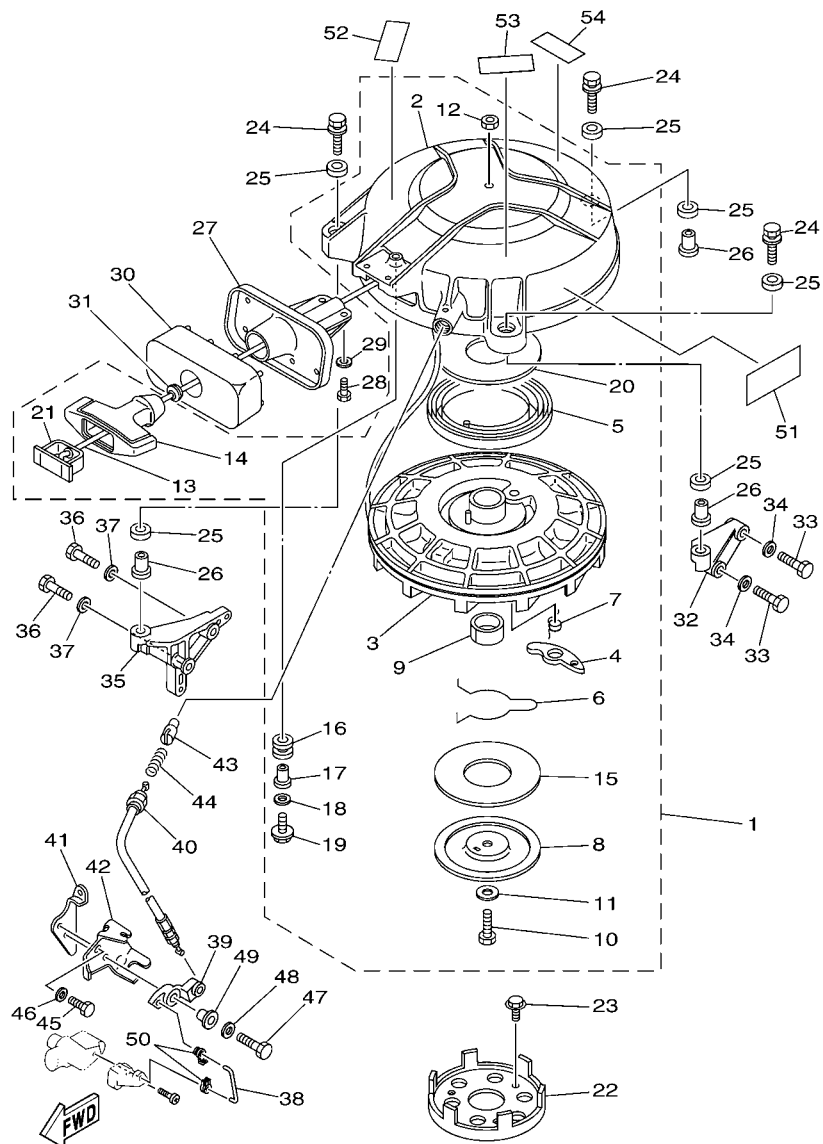
6J48200-H070

*1: CUT FROM 50M ROLLS, PART NO. 90890-44373, CUTTING LENGTH 1.9M
 *1: CORTE DE UN RODILLO DE 50M , PARTS NUMERO 90890-44373, LARGO DEL CORTE 1.9M

FIG. 7 STARTER

ARRANQUE

| REF. NO. | PART NO. CODIGO N° | DESCRIPTION DESCRIPCION | E40M | 40MH | E40W | 40WH | 40W | REMARKS OBSERVACIONES |
|----------|--------------------|---|------|------|------|------|-----|-----------------------|
| 1 | 6F5-W1571-03 | STARTER ASSY ARRANQUE COMPLETO | 1 | 1 | 1 | 1 | 1 | |
| 2 | 6F5-15711-02 | .CASE, STARTER .CAJA DE ARRANQUE | 1 | 1 | 1 | 1 | 1 | |
| 3 | 6F5-15714-03 | .DRUM, SHEAVE .TAMBOR ROLDANA | 1 | 1 | 1 | 1 | 1 | |
| 4 | 6F5-15741-01 | .PAWL, DRIVE .TRINQUETE DE TRACCION | 1 | 1 | 1 | 1 | 1 | |
| 5 | 6F5-15713-00 | .SPRING, STARTER .RESORTE DE ARRANQUE | 1 | 1 | 1 | 1 | 1 | |
| 6 | 6F5-15715-00 | .SPRING, FRICTION .RESORTE PLACA DE TRACCION | 1 | 1 | 1 | 1 | 1 | |
| 7 | 6F5-15734-01 | .SPRING, RETURN .RESORTE DE RETORNO | 1 | 1 | 1 | 1 | 1 | |
| 8 | 6F5-15716-01 | .PLATE, DRIVE .PLACA DE TRACCION | 1 | 1 | 1 | 1 | 1 | |
| 9 | 6F5-15754-00 | .BUSH 2 .BUJE 2 | 1 | 1 | 1 | 1 | 1 | |
| 10 | 97013-08030 | .BOLT .PERNO | 1 | 1 | 1 | 1 | 1 | |
| 11 | 6F5-15726-01 | .WASHER, FLAT .ARANDELA PLANA | 1 | 1 | 1 | 1 | 1 | |
| 12 | 95303-08700 | .NUT .TUERCA | 1 | 1 | 1 | 1 | 1 | |
| 13 | * | .WIRE (L:1900MM) .CABLE (L:1900MM) | 1 | 1 | 1 | 1 | 1 | *1 *1 |
| 14 | 689-15755-01 | .HANDLE, STARTER .MANIJA DE ARRANQUE | 1 | 1 | 1 | 1 | 1 | |
| 15 | 6F5-15764-00 | .COLLAR 1 .COLLAR 1 | 1 | 1 | 1 | 1 | 1 | |
| 16 | 6F5-15752-00 | .ROLLER, WIRE .RODILLO DE CUERDA | 1 | 1 | 1 | 1 | 1 | |
| 17 | 6F5-15753-00 | .BUSH .BUJE | 1 | 1 | 1 | 1 | 1 | |
| 18 | 6F5-15791-00 | .WASHER, LOCK .EMBLEMA | 1 | 1 | 1 | 1 | 1 | |
| 19 | 6F5-15768-00 | .BOLT .TORNILLO | 1 | 1 | 1 | 1 | 1 | |
| 20 | 6F5-15739-00 | .WASHER, THRUST .ARANDELA DE EMPUJE AXIAL | 1 | 1 | 1 | 1 | 1 | |
| 21 | 6F5-15779-02 | .COVER .CUBIERTA | 1 | 1 | 1 | 1 | 1 | |
| 22 | 6F5-15723-01 | PULLEY, STARTER POLEA DE ARRANQUE | 1 | 1 | 1 | 1 | 1 | |
| 23 | 90105-08M10 | BOLT, FLANGE TORNILLO | 3 | 3 | 3 | 3 | 3 | |
| 24 | 90119-08M10 | BOLT, WITH WASHER TORNILLO CON ARANDELA | 3 | 3 | 3 | 3 | 3 | |
| 25 | 90385-12M04 | BUSH BUJE | 6 | 6 | 6 | 6 | 6 | |
| 26 | 90387-08M05 | COLLAR ESPACIADOR | 3 | 3 | 3 | 3 | 3 | |
| 27 | 6A0-15758-01-94 | GUIDE, ROPE GUIA DE CUERDA | 1 | 1 | 1 | 1 | 1 | |



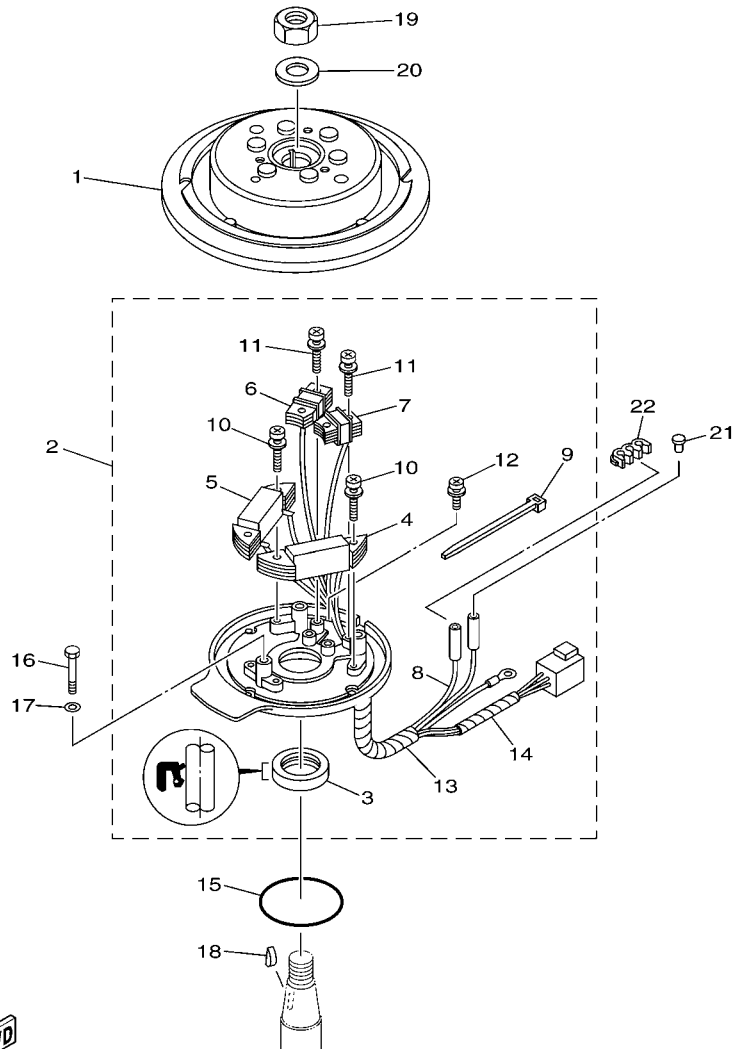
6J48200-H070

*1: CUT FROM 50M ROLLS, PART NO. 90890-44373, CUTTING LENGTH 1.9M
 *1: CORTE DE UN RODILLO DE 50M , PARTS NUMERO 90890-44373, LARGO DEL CORTE 1.9M

FIG. 7 STARTER

ARRANQUE

| REF. NO. | PART NO. CODIGO Nº | DESCRIPTION DESCRIPCION | E40M | 40MH | E40W | 40WH | 40W | REMARKS OBSERVACIONES |
|----------|--------------------|---|------|------|------|------|-----|-----------------------|
| 28 | 97095-06016 | BOLT PERNO | 2 | 2 | 2 | 2 | 2 | |
| 29 | 92995-06600 | WASHER ARANDELA | 2 | 2 | 2 | 2 | 2 | |
| 30 | 6A0-15762-01 | SEAL, RUBBER 2 SELLO DE GOMA 2 | 1 | 1 | 1 | 1 | 1 | |
| 31 | 6A0-15789-00 | DAMPER AMORTIGUADOR | 1 | 1 | 1 | 1 | 1 | |
| 32 | 6F5-15771-00-94 | STAY 1 SOPORTE 1 | 1 | 1 | 1 | 1 | 1 | |
| 33 | 97013-08035 | BOLT PERNO | 2 | 2 | 2 | 2 | 2 | |
| 34 | 92903-08600 | WASHER, PLATE RONDANA SENCILLA | 2 | 2 | 2 | 2 | 2 | |
| 35 | 6F5-15772-00-94 | STAY 2 SOPORTE 2 | 1 | 1 | 1 | 1 | 1 | |
| 36 | 97013-08035 | BOLT PERNO | 2 | 2 | 2 | 2 | 2 | |
| 37 | 92903-08600 | WASHER, PLATE RONDANA SENCILLA | 2 | 2 | 2 | 2 | 2 | |
| 38 | 6F5-15747-00 | LINK ESLABON | 1 | 1 | 1 | 1 | 1 | |
| 39 | 6F5-15746-00 | ARM BRAZO | 1 | 1 | 1 | 1 | 1 | |
| 40 | 6F5-15770-00 | CABLE COMP., STARTER STOP CABLECOMPL DE SEGURO ARRANQUE | 1 | 1 | 1 | 1 | 1 | |
| 41 | 6F5-15773-00 | STAY 3 SOPORTE 3 | 1 | 1 | 1 | 1 | 1 | |
| 42 | 6F5-15774-00 | STAY 4 SOPORTE 4 | 1 | 1 | 1 | 1 | 1 | |
| 43 | 656-15748-00 | PLUNGER, STARTER STOP EMBOLO SEGURO DE ARRANQUE | 1 | 1 | 1 | 1 | 1 | |
| 44 | 90501-10227 | SPRING, COMPRESSION RESORTE DE COMPRESION | 1 | 1 | 1 | 1 | 1 | |
| 45 | 97095-06016 | BOLT PERNO | 1 | 1 | 1 | 1 | 1 | |
| 46 | 92995-06600 | WASHER ARANDELA | 1 | 1 | 1 | 1 | 1 | |
| 47 | 97095-06030 | BOLT PERNO | 1 | 1 | 1 | 1 | 1 | |
| 48 | 92995-06600 | WASHER ARANDELA | 1 | 1 | 1 | 1 | 1 | |
| 49 | 90387-06M29 | COLLAR ESPACIADOR | 1 | 1 | 1 | 1 | 1 | |
| 50 | 661-41262-02 | JOINT, CHOKE LEVER CONECTOR DE AHOGADOR | 2 | 2 | 2 | 2 | 2 | |
| 51 | 6F6-14488-00 | LABEL, CAUTION ETIQUETA PRECAUCION | 1 | 1 | | 1 | 1 | EXCEPT E40G-YEM |
| | 6F6-14488-10 | LABEL, CAUTION ETIQUETA PRECAUCION | | | 1 | | | EXCEPT E40G-YEM |
| 52 | 6AH-81994-40 | LABEL, SAFETY ETIQUETA DE SEGURIDAD | 1 | 1 | 1 | 1 | 1 | |
| 53 | 6AH-81995-40 | LABEL, WARNING ETIQUETA DE PRECAUCION | 1 | 1 | 1 | 1 | 1 | |




6J44200-D080

FIG. 8 GENERATOR

GENERADOR

| REF. NO. | PART NO. CODIGO Nº | DESCRIPTION DESCRIPCION | E40M | 40MH | E40W | 40WH | 40W | REMARKS OBSERVACIONES |
|----------|--------------------|---|------|------|------|------|-----|-----------------------|
| 1 | 6F5-85550-G0 | ROTOR ASSY ROTOR COMPLETO | 1 | 1 | | | | |
| | 6F6-85550-B0 | ROTOR ASSY ROTOR COMPLETO | | | 1 | 1 | 1 | |
| 2 | 6F5-85560-B0 | BASE ASSY CONJUNTO BASE | 1 | 1 | 1 | 1 | 1 | |
| 3 | 93102-35M18 | .OIL SEAL .SELLO ACEITE | 1 | 1 | 1 | 1 | 1 | |
| 4 | 6F5-85520-10 | .COIL, CHARGE .BOBINA DE CARGA | 1 | 1 | 1 | 1 | 1 | |
| 5 | 6F5-85533-10 | .COIL, LIGHTING .BOBINA DE LUZ | 1 | 1 | 1 | 1 | 1 | |
| 6 | 6F5-85580-10 | .COIL, PULSER .BOBINA DE PULSACION | 1 | 1 | 1 | 1 | 1 | |
| 7 | 6F5-85580-20 | .COIL, PULSER .BOBINA DE PULSACION | 1 | 1 | 1 | 1 | 1 | |
| 8 | 6F5-85515-10 | .LEAD WIRE ASSY .CABLE CONDUCTOR COMPLETO | 1 | 1 | 1 | 1 | 1 | |
| 9 | 6F5-81328-00 | .CLAMP .GRAMPA | 1 | 1 | 1 | 1 | 1 | |
| 10 | 90159-05040 | .SCREW, WITH WASHER .TORNILLO CON VALONA | 4 | 4 | 4 | 4 | 4 | |
| 11 | 90159-04063 | .SCREW, WITH WASHER .TORNILLO CON VALONA | 4 | 4 | 4 | 4 | 4 | |
| 12 | 90159-04035 | .SCREW, WITH WASHER .TORNILLO CON VALONA | 1 | 1 | 1 | 1 | 1 | |
| 13 | 6F5-85597-J0 | .TUBE 1 .TUBO 1 | 1 | 1 | 1 | 1 | 1 | |
| 14 | 6F5-85597-H0 | .TUBE 1 .TUBO 1 | 1 | 1 | 1 | 1 | 1 | |
| 15 | 93210-75M51 | O-RING ANILLO O | 1 | 1 | 1 | 1 | 1 | |
| 16 | 97095-06040 | BOLT PERNO | 3 | 3 | 3 | 3 | 3 | |
| 17 | 92995-06600 | WASHER ARANDELA | 3 | 3 | 3 | 3 | 3 | |
| 18 | 90280-05015 | KEY, WOODRUFF CUNA WOODRUFF | 1 | 1 | 1 | 1 | 1 | |
| 19 | 90170-20137 | NUT TUERCA | 1 | 1 | 1 | 1 | 1 | |
| 20 | 90201-21M18 | WASHER, PLATE ARANDELA PLANA | 1 | 1 | 1 | 1 | 1 | |
| 21 | 703-82119-00 | COVER, LEAD WIRE CUBIERTA DE CABLE CONDUCTOR | 2 | 2 | | | | |
| 22 | 90468-07179 | CLIP PRESILLA | 1 | 1 | 1 | 1 | 1 | |

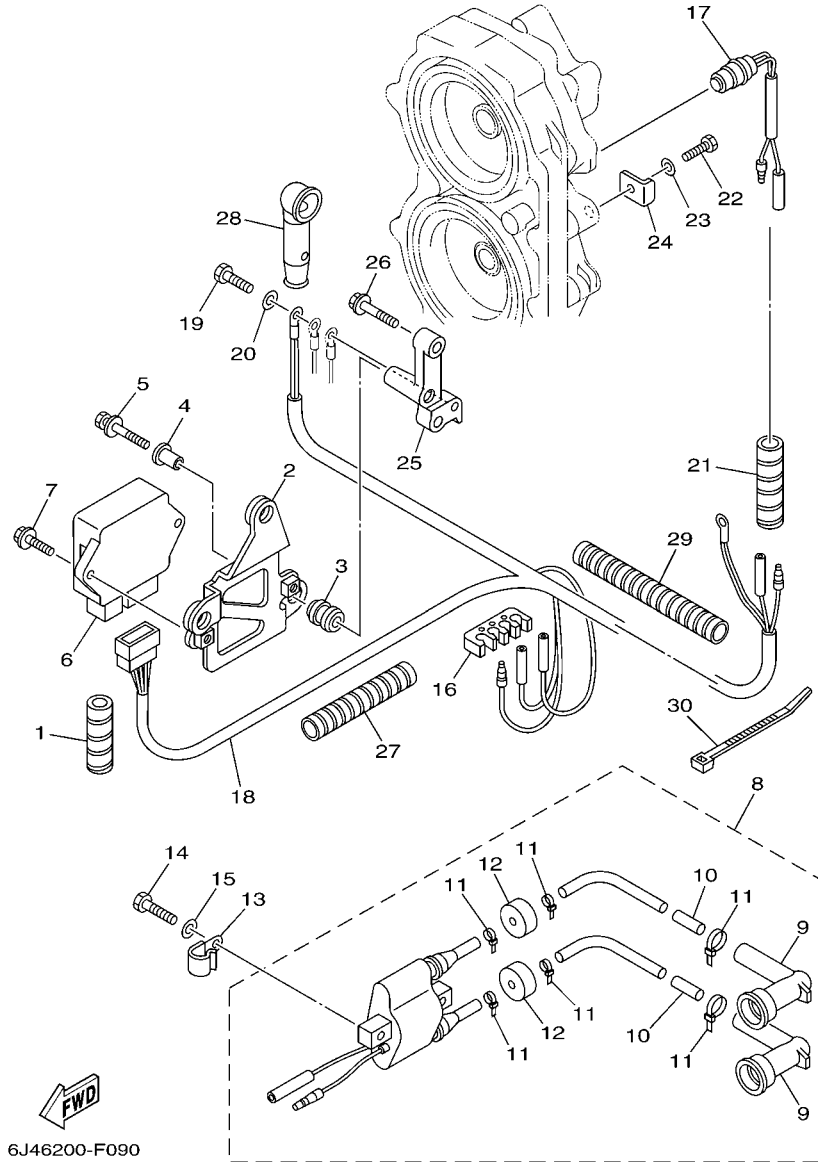


FIG. 9 ELECTRICAL 1

EQUIPO ELECTRICO 1

| REF. NO. | PART NO. CODIGO Nº | DESCRIPTION DESCRIPCION | E40M | 40MH | E40W | 40WH | 40W | REMARKS OBSERVACIONES |
|----------|--------------------|---|------|------|------|------|-----|-----------------------|
| 1 | 90446-10M02 | HOSE TUBO RESEIRADERO | 1 | 1 | 1 | 1 | 1 | |
| 2 | 6F5-85542-10 | BRACKET SOPORTE | 1 | 1 | 1 | 1 | 1 | |
| 3 | 61N-82317-00 | DAMPER, IGNITION COIL AMORTIGUADOR BOBINA ENCENDIDO | 3 | 3 | 3 | 3 | 3 | |
| 4 | 90387-06119 | COLLAR ESPACIADOR | 3 | 3 | 3 | 3 | 3 | |
| 5 | 90119-06M65 | BOLT, WITH WASHER TORNILLO CON ARANDELA | 3 | 3 | 3 | 3 | 3 | |
| 6 | 6F6-85540-01 | C.D.I. UNIT ASSY UNIDAD C.D.I. COMPLETA | 1 | 1 | 1 | 1 | 1 | |
| 7 | 90109-06M86 | BOLT PERNO | 2 | 2 | 2 | 2 | 2 | |
| 8 | 6F6-85530-01 | IGNITION COIL ASSY BOBINA DE IGNICION COMPLETO | 1 | 1 | 1 | 1 | 1 | |
| 9 | 62E-82371-11 | .CAP PLUG .TAPON DE BUJIA COMPLT | 2 | 2 | 2 | 2 | 2 | |
| 10 | 62E-8231X-00 | .TERMINAL 1 .TERMINAL 1 | 2 | 2 | 2 | 2 | 2 | |
| 11 | 90465-11M10 | .CLAMP .BRIDA | 6 | 6 | 6 | 6 | 6 | |
| 12 | 90480-25161 | .GROMMET .TAPON | 2 | 2 | 2 | 2 | 2 | |
| 13 | 90465-08M07 | CLAMP BRIDA | 1 | 1 | 1 | 1 | 1 | |
| 14 | 97095-06025 | BOLT PERNO | 2 | 2 | 2 | 2 | 2 | |
| 15 | 92995-06600 | WASHER ARANDELA | 2 | 2 | 2 | 2 | 2 | |
| 16 | 90464-07M06 | CLAMP BRIDA | 1 | 1 | 1 | 1 | 1 | |
| 17 | 688-82560-10 | THERMO SWITCH ASSY INTER. DE TERMO | 1 | 1 | 1 | 1 | 1 | |
| 18 | 6F5-82590-20 | WIRE HARNESS ASSY CONJUNTO DE CABLES | 1 | 1 | | | | |
| 19 | 97095-06016 | BOLT PERNO | 1 | 1 | | | | |
| 20 | 92995-06600 | WASHER ARANDELA | 1 | 1 | | | | |
| 21 | 90446-10M01 | HOSE (L60) TUBO (L60) | 1 | 1 | 1 | 1 | 1 | |
| 22 | 97095-06016 | BOLT PERNO | 1 | 1 | 1 | 1 | 1 | |
| 23 | 92995-06600 | WASHER ARANDELA | 1 | 1 | 1 | 1 | 1 | |
| 24 | 6F5-82588-00 | PLATE PLACA | 1 | 1 | 1 | 1 | 1 | |
| 25 | 6F5-81948-00 | BRACKET SOPORTE | 1 | 1 | | | | |
| 26 | 90105-08M35 | BOLT, FLANGE TORNILLO | 2 | 2 | | | | |
| 27 | 6N7-83557-00 | TUBE (I.DIA:22MM) ENCHUFE DE ACEITE (I.DIA:22MM) | 1 | 1 | | | | |

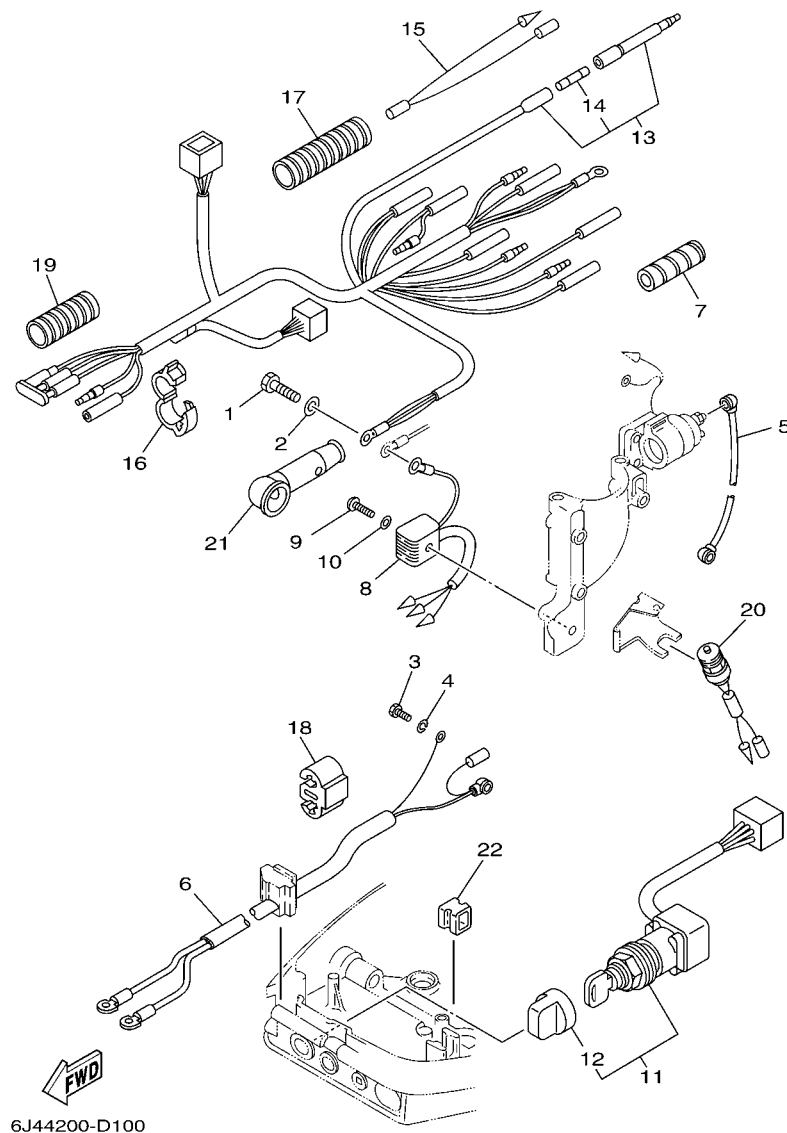


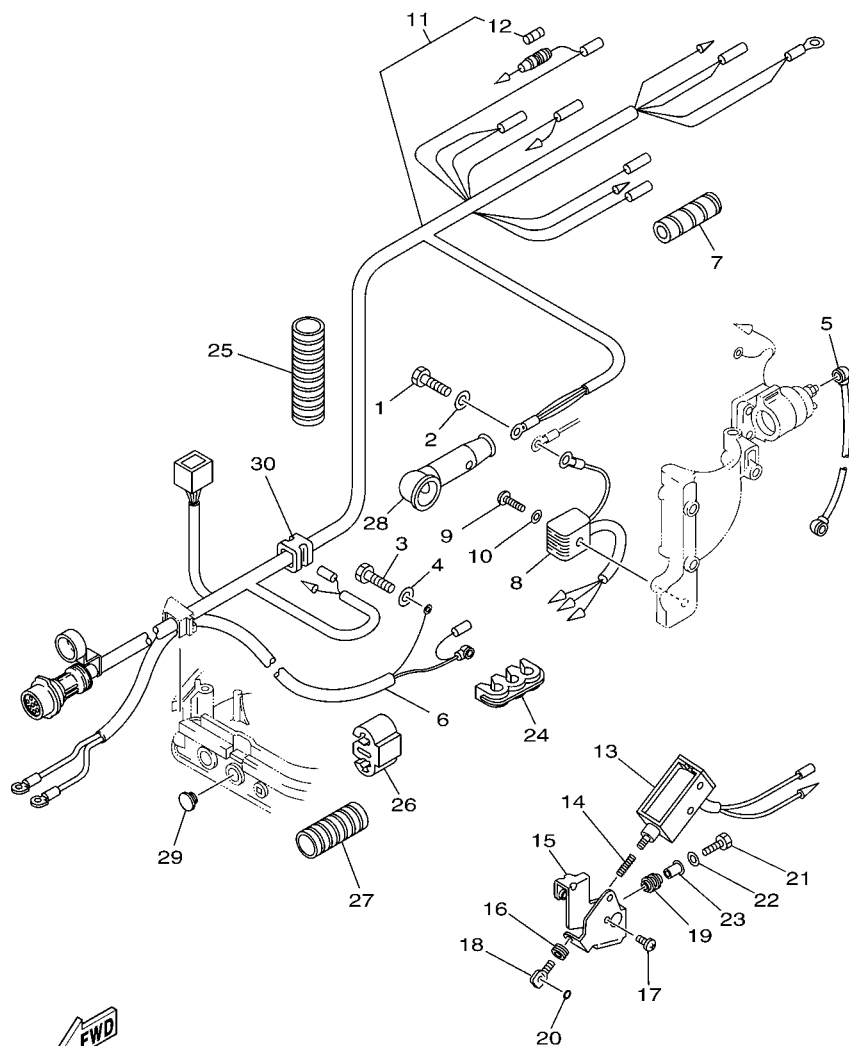
FIG. 10 ELECTRICAL 2

EQUIPO ELECTRICO 2

| REF. NO. | PART NO. CODIGO Nº | DESCRIPTION DESCRIPCION | E40M | 40MH | E40W | 40WH | 40W | REMARKS OBSERVACIONES |
|----------|--------------------|--|------|------|------|------|-----|-----------------------|
| 1 | 97095-06016 | BOLT PERNO | | | | 1 | 1 | |
| 2 | 92995-06600 | WASHER ARANDELA | | | | 1 | 1 | |
| 3 | 97095-08016 | BOLT PERNO | | | | 1 | 1 | |
| 4 | 92995-08100 | WASHER ARANDELA | | | | 1 | 1 | |
| 5 | 6F5-82117-00 | WIRE, LEAD CABLE CONDUCTOR | | | | 1 | 1 | |
| 6 | 6F5-82105-00 | WIRE HARNESS ARNES DE CABLES | | | | 1 | 1 | |
| 7 | 90446-10M02 | HOSE TUBO RESEIRADERO | | | | 2 | 2 | |
| 8 | 6F5-81970-62 | RECTIFIER ASSY RECTIFICADOR COMPLETO | | | | 1 | 1 | |
| 9 | 97880-05025 | SCREW, PAN HEAD TORNILLO DE CABEZA CON PLANA | | | | 1 | 1 | |
| 10 | 92990-05600 | WASHER, PLATE ARANDELA PLANA | | | | 1 | 1 | |
| 11 | 6F5-82510-10 | MAIN SWITCH ASSY CONJUNTO DE LLAVE IGNICION | | | | 1 | 1 | |
| 12 | 676-82577-00 | .CAP, KEY .TAPA | | | | 1 | 1 | |
| 13 | 6F5-82590-30 | WIRE HARNESS ASSY CONJUNTO DE CABLES | | | | 1 | 1 | |
| 14 | 663-82151-00 | .FUSE (12V-20A) .FUSIBLE (12V-20A) | | | | 1 | 1 | |
| 15 | 6F6-82509-00 | WIRE, SUB LEAD CABLE SUBCONDUCTOR | | | | 1 | 1 | |
| 16 | 90464-16003 | CLAMP BRIDA | | | | 1 | 1 | |
| 17 | 6G1-83557-00 | TUBE ENCHUFE DE ACEITE | | | | 1 | 1 | |
| 18 | 90464-06006 | CLAMP BRIDA | | | | 1 | 1 | |
| 19 | 6G5-83557-00 | TUBE ENCHUFE DE ACEITE | | | | 1 | 1 | |
| 20 | 6F5-82540-01 | NEUTRAL SWITCH ASSY INTERRUPTOR NEUTRAL COMPL | | | | 1 | 1 | |
| 21 | 61A-82119-00 | COVER, LEAD WIRE CUBIERTA DE CABLE CONDUCTOR | | | | 1 | 1 | |
| 22 | 90480-17M08 | GROMMET TAPON | | | | 1 | 1 | |

FIG. 11 ELECTRICAL 3

EQUIPO ELECTRICO 3

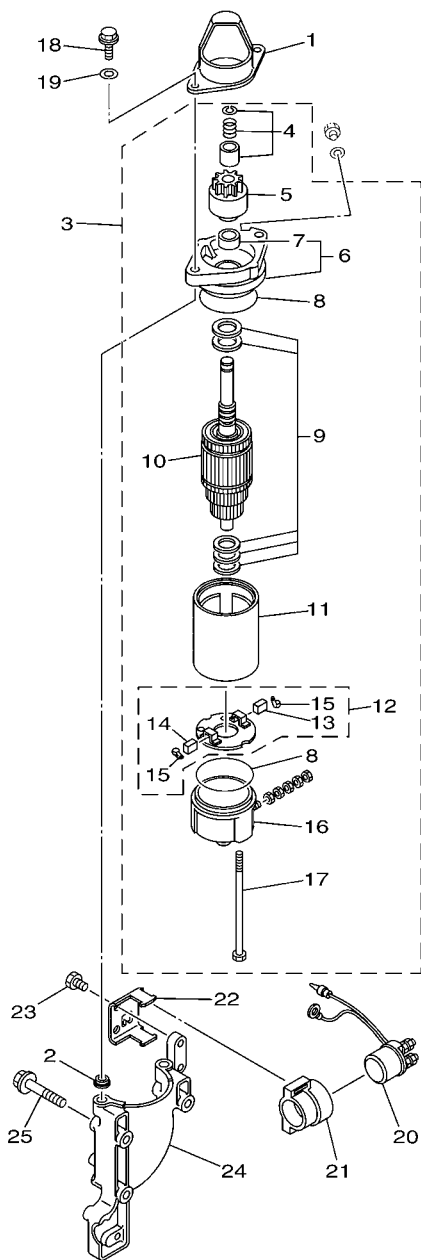


6J44200-D110

| REF. NO. | PART NO. CODIGO Nº | DESCRIPTION DESCRIPCION | E40M | 40MH | E40W | 40WH | 40W | REMARKS OBSERVACIONES |
|----------|--------------------|--|------|------|------|------|-----|-----------------------|
| 1 | 97095-06016 | BOLT PERNO | | | | | 1 | |
| 2 | 92995-06600 | WASHER ARANDELA | | | | | 1 | |
| 3 | 97095-08016 | BOLT PERNO | | | | | 1 | |
| 4 | 92995-08100 | WASHER ARANDELA | | | | | 1 | |
| 5 | 6F5-82117-00 | WIRE, LEAD CABLE CONDUCTOR | | | | | 1 | |
| 6 | 6F5-82105-00 | WIRE HARNESS ARNES DE CABLES | | | | | 1 | |
| 7 | 90446-10M02 | HOSE TUBO RESEIRADERO | | | | | 2 | |
| 8 | 6F5-81970-62 | RECTIFIER ASSY RECTIFICADOR COMPLETO | | | | | 1 | |
| 9 | 97880-05025 | SCREW, PAN HEAD TORNILLO DE CABEZA CON PLANA | | | | | 1 | |
| 10 | 92990-05600 | WASHER, PLATE ARANDELA PLANA | | | | | 1 | |
| 11 | 6J4-82590-10 | WIRE HARNESS ASSY CONJUNTO DE CABLES | | | | | 1 | |
| 12 | 663-82151-00 | .FUSE (12V-20A) .FUSIBLE (12V-20A) | | | | | 1 | |
| 13 | 6J4-86111-00 | COIL, SOLENOID CONJUNTO BOBINA SOLENOIDE | | | | | 1 | |
| 14 | 6J4-86116-00 | WIRE, PULL ALAMBRE-JALADOR | | | | | 1 | |
| 15 | 6J4-86112-00 | STAY, SOLENOID SOPORTE SOLENOIDE | | | | | 1 | |
| 16 | 90480-10155 | GRÖMMET TAPON | | | | | 1 | |
| 17 | 97880-05008 | SCREW, PAN HEAD TORNILLO DE CABEZA CON PLANA | | | | | 4 | |
| 18 | 682-86117-00 | HOOK, WIRE PULL GANCHO JALADOR DE ALAMBRE | | | | | 1 | |
| 19 | 6A0-82317-00 | DAMPER, IGNITION COIL AMORTIGUADOR BOBINA ENCENDIDO | | | | | 3 | |
| 20 | 93210-03261 | O-RING ANILLO O | | | | | 1 | |
| 21 | 97095-06025 | BOLT PERNO | | | | | 3 | |
| 22 | 92995-06600 | WASHER ARANDELA | | | | | 3 | |
| 23 | 90387-06119 | COLLAR ESPACIADOR | | | | | 3 | |
| 24 | 90468-07179 | CLIP PRESILLA | | | | | 1 | |
| 25 | 6G1-83557-00 | TUBE ENCHUFE DE ACEITE | | | | | 1 | |
| 26 | 90464-06006 | CLAMP BRIDA | | | | | 1 | |
| 27 | 6G5-83557-00 | TUBE ENCHUFE DE ACEITE | | | | | 1 | |

FIG. 12 STARTING MOTOR

MOTOR DE ARRANQUE



FWD
6J44200-D120

| REF. NO. | PART NO. CODIGO Nº | DESCRIPTION DESCRIPCION | E40M | 40MH | E40W | 40WH | 40W | REMARKS OBSERVACIONES |
|----------|--------------------|---|------|------|------|------|-----|-----------------------|
| | | | | | | | | |
| 1 | 6F5-81842-41 | COVER TAPA | | | 1 | 1 | 1 | |
| 2 | 90387-08M12 | COLLAR ESPACIADOR | | | 2 | 2 | 2 | |
| 3 | 6J4-81800-01 | STARTING MOTOR ASSY MOTOR DE ARRANQUE COMPLETO | | | 1 | 1 | 1 | |
| 4 | 689-81857-11 | .PINION STOPPER SET .JUEGO TAPON PINON | | | 1 | 1 | 1 | |
| 5 | 689-81807-12 | .GEAR ASSY, STARTING MOTOR .PINON CONJUNTO | | | 1 | 1 | 1 | |
| 6 | 6F5-81830-11 | .FRONT BRACKET ASSY .SOPORTE DELANTERO COMPLETO | | | 1 | 1 | 1 | |
| 7 | 689-81831-00 | ..METAL, FRONT ..METAL, DELANTERO | | | 1 | 1 | 1 | |
| 8 | 689-81847-11 | .O-RING .ANILLO GOMA | | | 2 | 2 | 2 | |
| 9 | 689-81809-11 | .WASHER KIT .JUEGO DE ARANDELA | | | 1 | 1 | 1 | |
| 10 | 689-81850-12 | .ARMATURE ASSY .INDUCIDO COMPLETO | | | 1 | 1 | 1 | |
| 11 | 689-81810-11 | .STATOR ASSY .ESTATOR COMPLETO | | | 1 | 1 | 1 | |
| 12 | 689-81840-11 | .BRUSH HOLDER ASSY .SOSTEN DE ESCOBILLA COMPLETO | | | 1 | 1 | 1 | |
| 13 | 689-81811-11 | ..BRUSH 1 ..ESCOBILLA 1 | | | 1 | 1 | 1 | |
| 14 | 689-81812-11 | ..BRUSH 2 ..ESCOBILLA 2 | | | 1 | 1 | 1 | |
| 15 | 689-81813-10 | ..SPRING, BRUSH ..RESORTE DE ESCOBILLA | | | 2 | 2 | 2 | |
| 16 | 689-81820-11 | .REAR BRACKET ASSY .CUBIERTA TRASERA COMPL | | | 1 | 1 | 1 | |
| 17 | 689-81826-10 | .BOLT .PERNO | | | 2 | 2 | 2 | |
| 18 | 90105-08M50 | BOLT, FLANGE TORNILLO | | | 2 | 2 | 2 | |
| 19 | 92990-08600 | WASHER, PLATE ARANDELA PLANA | | | 2 | 2 | 2 | |
| 20 | 6G1-81941-10 | STARTER RELAY ASSY RELE DE ARRANQUE | | | 1 | 1 | 1 | |
| 21 | 6G1-81952-00 | HOLDER, RELAY SOSTEN DE RELE | | | 1 | 1 | 1 | |
| 22 | 6F5-81945-00 | PLATE, SWITCH FITTING PLACA ACCESORIA DE INTERRUP. | | | 1 | 1 | 1 | |
| 23 | 97095-06012 | BOLT PERNO | | | 2 | 2 | 2 | |
| 24 | 6J4-81820-01 | REAR BRACKET ASSY CUBIERTA TRASERA COMPL | | | 1 | 1 | 1 | |
| 25 | 90105-08M51 | BOLT, FLANGE TORNILLO | | | 3 | 3 | 3 | |

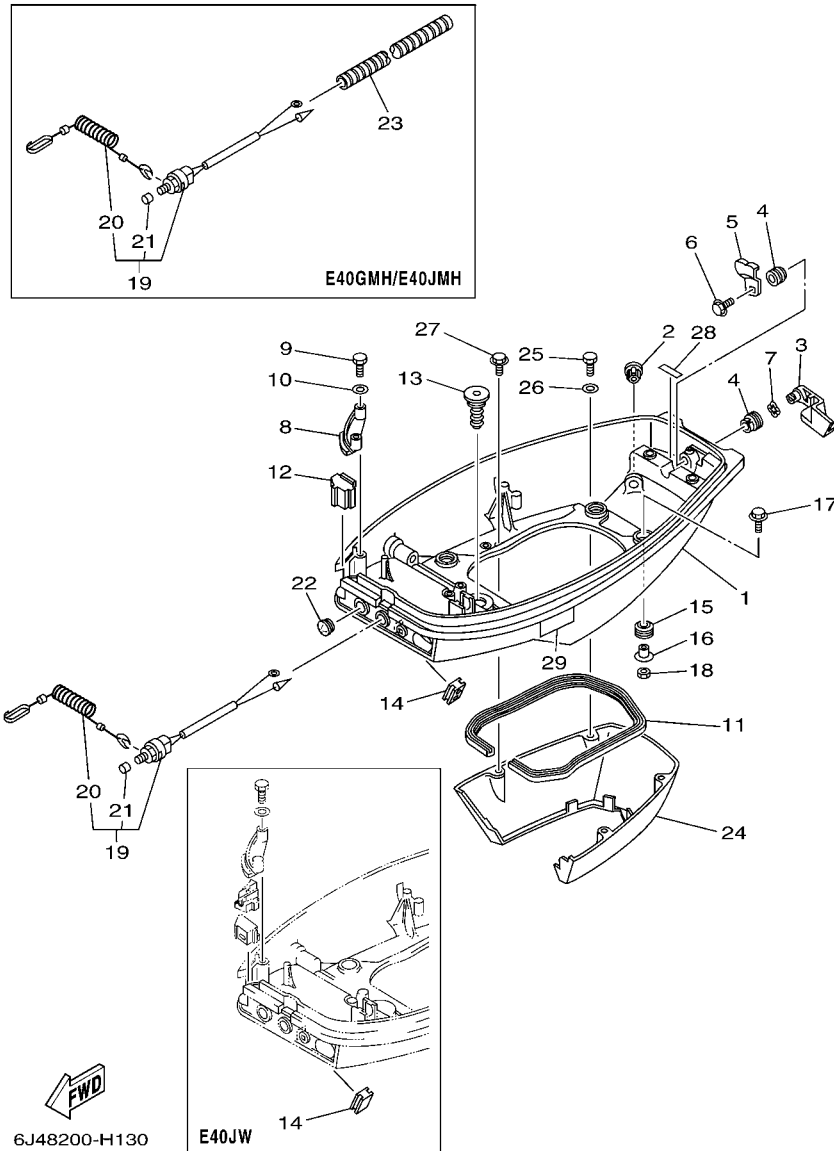
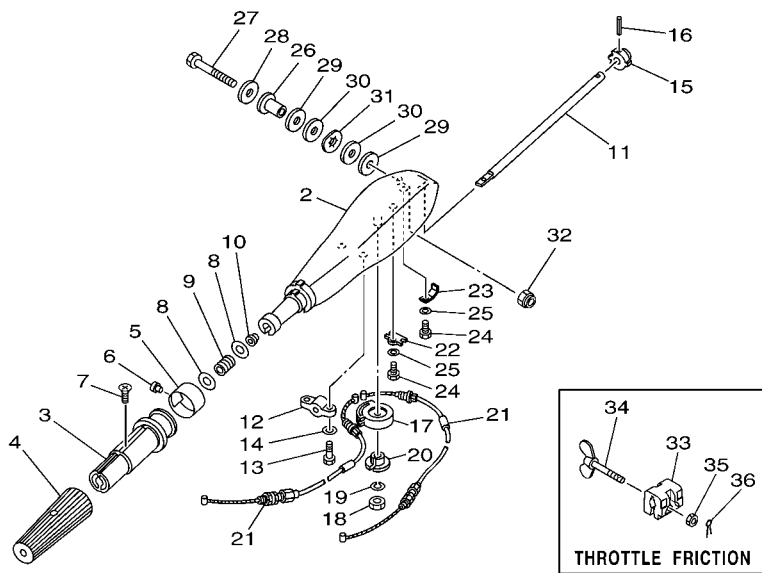


FIG. 13 BOTTOM COWLING

CUBIERTA INFERIOR

| REF. NO. | PART NO. CODIGO Nº | DESCRIPTION DESCRIPCION | E40M | 40MH | E40W | 40WH | 40W | REMARKS OBSERVACIONES |
|----------|--------------------|--|------|------|------|------|-----|-----------------------|
| 1 | 6F6-42711-03-4D | COWLING, BOTTOM 1 CUBIERTA INFERIOR 1 | 1 | 1 | 1 | 1 | 1 | |
| 2 | 6E5-44391-00 | NIPPLE, HOSE NIPLE MANGUERA | 1 | 1 | 1 | 1 | 1 | |
| 3 | 6F5-42815-01-4D | LEVER, CLAMP PALANCA ABRAZADERA | 1 | 1 | 1 | 1 | 1 | |
| 4 | 90386-12M37 | BUSH BUJE | 2 | 2 | 2 | 2 | 2 | |
| 5 | 6F5-42816-00 | LEVER, CLAMP PALANCA ABRAZADERA | 1 | 1 | 1 | 1 | 1 | |
| 6 | 90119-06M73 | BOLT, WITH WASHER TORNILLO CON ARANDELA | 1 | 1 | 1 | 1 | 1 | |
| 7 | 90206-12052 | WASHER, WAVE ARANDELA ONDULADA | 1 | 1 | 1 | 1 | 1 | |
| 8 | 6F5-42738-01-94 | PLATE, FITTING PLACA DE AJUSTE | 1 | 1 | 1 | 1 | 1 | |
| 9 | 97013-06025 | BOLT PERNO | 2 | 2 | 2 | 2 | 2 | |
| 10 | 92903-06600 | WASHER, PLATE RONDANA SENCILLA | 2 | 2 | 2 | 2 | 2 | |
| 11 | 6F5-42716-00 | RUBBER, SEAL 1 SELLO DE GOMA 1 | 1 | 1 | 1 | 1 | 1 | |
| 12 | 6F5-42724-00 | GROMMET TAPON | 1 | 1 | | | | |
| | 6F5-42724-40 | GROMMET TAPON | | | 1 | 1 | | |
| 13 | 6F5-42727-00 | GROMMET TAPON | 1 | 1 | 1 | 1 | 1 | |
| 14 | 676-26326-00 | GROMMET TAPON PROTECTOR | 1 | 1 | 1 | 1 | | |
| | 676-42724-40 | GROMMET TAPON | | | | | 1 | |
| 15 | 90480-09M21 | GROMMET TAPON | 4 | 4 | 4 | 4 | 4 | |
| 16 | 90387-06035 | COLLAR ESPACIADOR | 4 | 4 | 4 | 4 | 4 | |
| 17 | 90119-06M61 | BOLT, WITH WASHER TORNILLO CON ARANDELA | 4 | 4 | 4 | 4 | 4 | |
| 18 | 95380-06600 | NUT, HEXAGON TUERCA | 4 | 4 | 4 | 4 | 4 | |
| 19 | 6E9-82575-02 | ENGINE STOP SWITCH ASSY INTERRUPTOR DE PARADA COMPL | 1 | 1 | 1 | 1 | 1 | |
| 20 | 682-82556-00 | .LANYARD, STOP SWITCH .RETENER | 1 | 1 | 1 | 1 | 1 | |
| 21 | 689-8257Y-00 | .CAP .CASQUILLO | 1 | 1 | 1 | 1 | 1 | |
| 22 | 676-42726-00 | GROMMET TAPON | 1 | 1 | | | 1 | |
| 23 | 90447-13011 | TUBE TUBO | 1 | 1 | | | | |
| 24 | 6F5-42741-11 | APRON MANDIL | 1 | 1 | 1 | 1 | 1 | |
| 25 | 97095-06025 | BOLT PERNO | 2 | 2 | 2 | 2 | 2 | |

1
**HANDLE STEERING
 ASSY**
 (Fig. 14, Ref. No. 2 to 36)



6J48200-H140

FIG. 14 STEERING

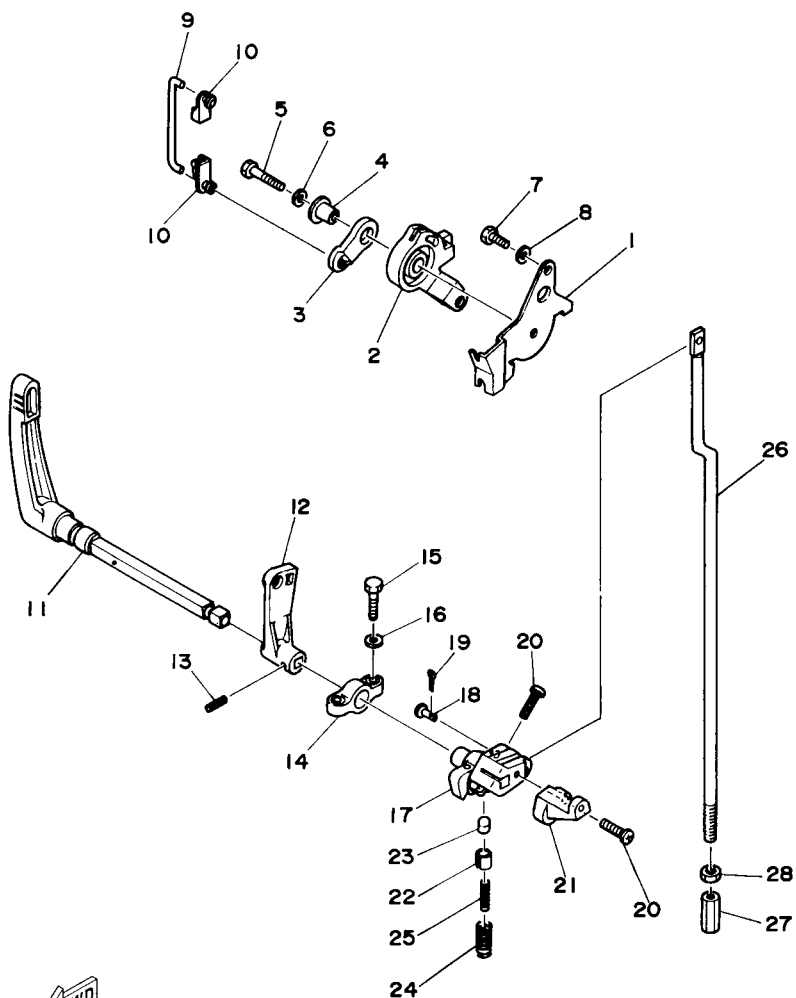
DIRECCION

| REF. NO. | PART NO. CODIGO Nº | DESCRIPTION DESCRIPCION | E40M | 40MH | E40W | 40WH | 40W | REMARKS OBSERVACIONES |
|----------|--------------------|--|------|------|------|------|-----|-----------------------|
| 1 | 6F6-W0084-01-4D | HANDLE STEERING ASSY CONJUNTO DE MANIJA | 1 | 1 | 1 | 1 | | |
| 2 | 676-42111-03-4D | HANDLE, STEERING MANIJA DE DIRECCION | 1 | 1 | 1 | 1 | | |
| 3 | 664-42119-00 | GRIP, STEERING HANDLE MANGO, MANIJA DE DIRRECCION | 1 | 1 | 1 | 1 | | |
| 4 | 6F6-42177-A0 | RUBBER, HANDLE HULE DE MANIJA | 1 | 1 | 1 | 1 | | |
| 5 | 6F6-42137-10 | INDICATOR, THROTTLE INDICADOR ACELERADOR | 1 | 1 | 1 | 1 | | |
| 6 | 90269-02M09 | RIVET REMACHE | 1 | 1 | 1 | 1 | | |
| 7 | 90149-05M13 | SCREW TORNILLO DE REGLAJE | 1 | 1 | 1 | 1 | | |
| 8 | 90201-10M02 | WASHER, PLATE ARANDELA PLANA | 2 | 2 | 2 | 2 | | |
| 9 | 90501-23215 | SPRING, COMPRESSION RESORTE DE COMPRESION | 1 | 1 | 1 | 1 | | |
| 10 | 90386-08032 | BUSH BUJE | 1 | 1 | 1 | 1 | | |
| 11 | 676-42115-00 | SHAFT, STEERING HANDLE EJE MANIJA DE DIRECCION | 1 | 1 | 1 | 1 | | |
| 12 | 676-42159-00 | STAY SOPORTE | 1 | 1 | 1 | 1 | | |
| 13 | 97095-06020 | BOLT PERNO | 2 | 2 | 2 | 2 | | |
| 14 | 92995-06600 | WASHER ARANDELA | 2 | 2 | 2 | 2 | | |
| 15 | 650-42152-00-94 | GEAR ENGRANE | 1 | 1 | 1 | 1 | | |
| 16 | 91690-30025 | PIN, SPRING PASADOR DE RESORTE | 1 | 1 | 1 | 1 | | |
| 17 | 676-42151-00-94 | PINION PINON | 1 | 1 | 1 | 1 | | |
| 18 | 95380-06600 | NUT, HEXAGON TUERCA | 1 | 1 | 1 | 1 | | |
| 19 | 92990-06100 | WASHER, SPRING ARANDELA PLANA | 1 | 1 | 1 | 1 | | |
| 20 | 90386-08M00 | BUSH BUJE | 1 | 1 | 1 | 1 | | |
| 21 | 6F5-26311-00 | CABLE, THROTTLE 1 CABLE DE ACELERADOR 1 | 2 | 2 | 2 | 2 | | |
| 22 | 676-26391-00 | CLIP, CABLE PRESILLA DE CABLE | 1 | 1 | 1 | 1 | | |
| 23 | 676-26392-00 | CLIP, CABLE 2 PRESILLA DE CABLE 2 | 1 | 1 | 1 | 1 | | |
| 24 | 97095-05010 | BOLT PERNO | 2 | 2 | 2 | 2 | | |
| 25 | 92995-05600 | WASHER ARANDELA | 2 | 2 | 2 | 2 | | |
| 26 | 90386-12089 | BUSH BUJE | 1 | 1 | 1 | 1 | | |
| 27 | 90101-12M37 | BOLT TORNILLO | 1 | 1 | 1 | 1 | | |

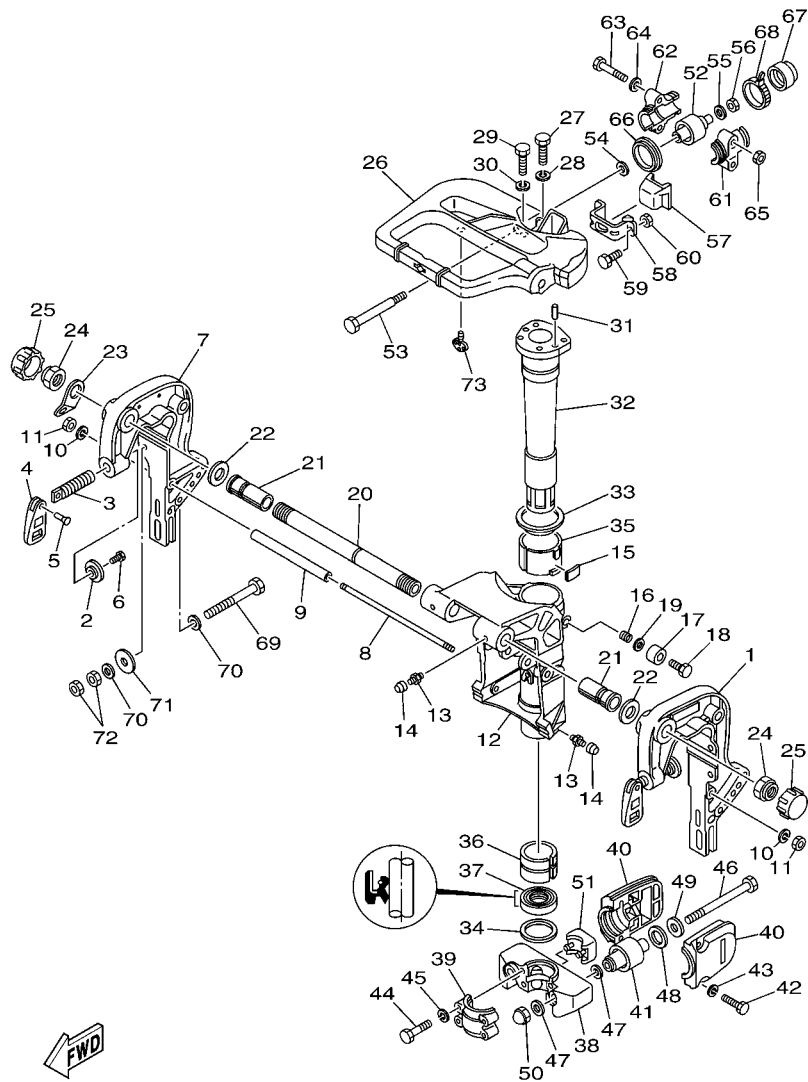
FIG. 15 CONTROL 1

CONTROL 1

| REF. NO. | PART NO. CODIGO Nº | DESCRIPTION DESCRIPCION | E40M | 40MH | E40W | 40WH | 40W | REMARKS OBSERVACIONES |
|----------|--------------------|--|------|------|------|------|-----|-----------------------|
| 1 | 6F5-14497-00 | STAY, THROTTLE WIRE SOPORTE VALVULA DE OBTURACION | 1 | 1 | 1 | 1 | 1 | |
| 2 | 6F5-41638-00 | PULLEY POLEA | 1 | 1 | 1 | 1 | 1 | |
| 3 | 6F5-41283-00 | LEVER, FREE ACCEL. PALANCA | 1 | 1 | 1 | 1 | 1 | |
| 4 | 90387-06M29 | COLLAR ESPACIADOR | 1 | 1 | 1 | 1 | 1 | |
| 5 | 97095-06030 | BOLT PERNO | 1 | 1 | 1 | 1 | 1 | |
| 6 | 92995-06600 | WASHER ARANDELA | 1 | 1 | 1 | 1 | 1 | |
| 7 | 97095-06016 | BOLT PERNO | 1 | 1 | 1 | 1 | 1 | |
| 8 | 92995-06600 | WASHER ARANDELA | 1 | 1 | 1 | 1 | 1 | |
| 9 | 6F5-41211-00 | LINK, ACCEL. ESLABON, ACELERADOR | 1 | 1 | 1 | 1 | 1 | |
| 10 | 6E9-41237-00 | JOINT, LINK CONECTOR | 2 | 2 | 2 | 2 | 2 | |
| 11 | 6F5-44111-00 | HANDLE, GEAR SHIFT MANIJA DE CAMBIO DE MARCHAS | 1 | 1 | 1 | 1 | 1 | |
| 12 | 6F5-44125-00 | LEVER, SHIFT ROD PALANCA VARILLA CAMBIOS | 1 | 1 | 1 | 1 | 1 | |
| 13 | 91690-25016 | PIN, SPRING PASADOR DE RESORTE | 1 | 1 | 1 | 1 | 1 | |
| 14 | 6F5-41662-00 | BRACKET 2 SOPORTE 2 | 1 | 1 | 1 | 1 | 1 | |
| 15 | 97013-06025 | BOLT PERNO | 2 | 2 | 2 | 2 | 2 | |
| 16 | 92903-06600 | WASHER, PLATE RONDANA SENCILLA | 2 | 2 | 2 | 2 | 2 | |
| 17 | 6F5-44121-00 | LEVER, SHIFT ROD PALANCA VARILLA CAMBIOS | 1 | 1 | 1 | 1 | 1 | |
| 18 | 90240-05M09 | PIN, CLEVIS PASADOR CON HOYO | 1 | 1 | 1 | 1 | 1 | |
| 19 | 91490-16010 | PIN, COTTER CHAVETA | 1 | 1 | 1 | 1 | 1 | |
| 20 | 97780-40520 | SCREW, TAPPING TORNILLO DE CABEZA DE CONO ACH | 2 | 2 | 2 | 2 | 2 | |
| 21 | 6F5-44173-00 | LEVER, SHIFT CONTROL PALANCA CONTROL CAMBIOS | 1 | 1 | 1 | 1 | 1 | |
| 22 | 6F5-42715-00 | BUSHING BUJE | 1 | 1 | 1 | 1 | 1 | |
| 23 | 6F5-44167-00 | PLUNGER, SHIFT CAM EMBOLO DE CAMBIO | 1 | 1 | 1 | 1 | 1 | |
| 24 | 90501-12M36 | SPRING, COMPRESSION RESORTE DE COMPRESION | 1 | 1 | 1 | 1 | 1 | |
| 25 | 90501-07M33 | SPRING, COMPRESSION RESORTE DE COMPRESION | 1 | 1 | 1 | 1 | 1 | |
| 26 | 676-44143-00 | ROD, SHIFT VARILLA DE CAMBIO | 1 | 1 | 1 | 1 | 1 | |
| 27 | 648-44146-00 | CONNECTOR, SHIFT ROD CONECTOR VARILLA DE CAMBIO | 1 | 1 | 1 | 1 | 1 | |



6H90010-4150

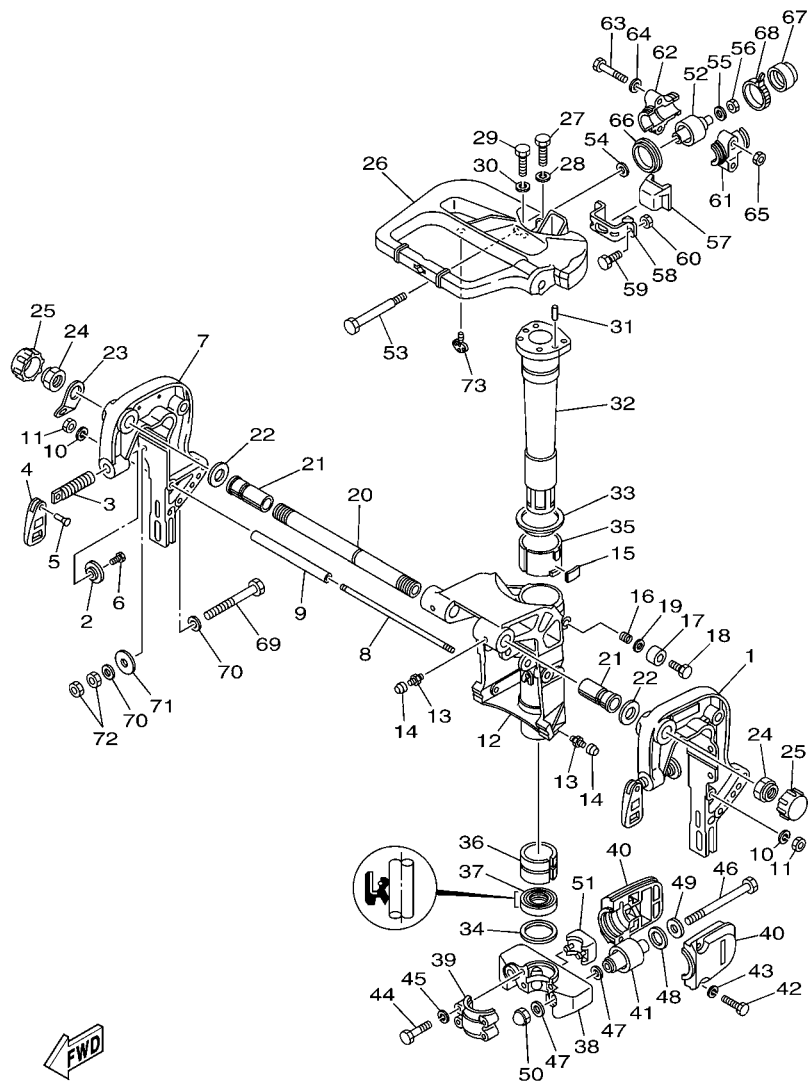


6J44200-D170

FIG. 17 BRACKET 1

SOPORTE 1

| REF. NO. | PART NO. CODIGO Nº | DESCRIPTION DESCRIPCION | E40M | 40MH | E40W | 40WH | 40W | REMARKS OBSERVACIONES |
|----------|--------------------|---|------|------|------|------|-----|-----------------------|
| 1 | 676-43111-04-4D | BRACKET, CLAMP 1 SOPORTE DE LA ABRAZADERA 1 | 1 | 1 | 1 | 1 | 1 | |
| 2 | 6F5-43114-00 | PAD, TRANSOM CLAMP ARANDELA DE ABRAZADERA | 2 | 2 | 2 | 2 | 2 | |
| 3 | 6F5-43116-00 | SCREW, TRANSOM CLAMP TORNILLO DE ABRAZADERA | 2 | 2 | 2 | 2 | 2 | |
| 4 | 663-43118-01-4D | HANDLE, TRANSOM CLAMP MANIJA DE LA ABRAZADERA DEL ES | 2 | 2 | 2 | 2 | 2 | |
| 5 | 90243-04007 | PIN PASADOR | 2 | 2 | 2 | 2 | 2 | |
| 6 | 90109-06M12 | BOLT PERNO | 2 | 2 | 2 | 2 | 2 | |
| 7 | 676-43112-04-4D | BRACKET, CLAMP 2 SOPORTE DE LA ABRAZADERA 2 | 1 | 1 | 1 | 1 | 1 | |
| 8 | 90116-08M00 | BOLT, STUD ESPARRAGO | 1 | 1 | 1 | 1 | 1 | |
| 9 | 90387-08M02 | COLLAR ESPACIADOR | 1 | 1 | 1 | 1 | 1 | |
| 10 | 92990-08100 | WASHER, SPRING ARANDELA PLANA | 2 | 2 | 2 | 2 | 2 | |
| 11 | 95380-08600 | NUT TUERCA | 2 | 2 | 2 | 2 | 2 | |
| 12 | 676-43311-10-4D | BRACKET, SWIVEL 1 SOPORTE GIRATORIO 1 | 1 | 1 | 1 | 1 | 1 | |
| 13 | 93700-06M03 | NIPPLE, GREASE BOQUILLA DE ENGRASAR | 4 | 4 | 4 | 4 | 4 | |
| 14 | 663-45119-00 | CAP, GREASE NIPPLE TAPA DE GRASERA | 4 | 4 | 4 | 4 | 4 | AP AP |
| 15 | 648-42528-00 | PLATE, FRICTION PIEZA DE FRICCION | 1 | 1 | 1 | 1 | 1 | |
| 16 | 90501-18M00 | SPRING, COMPRESION RESORTE DE COMPRESION | 1 | 1 | 1 | 1 | 1 | |
| 17 | 676-43373-00 | SEAL, DAMPER SELLO DE GOMA | 1 | 1 | 1 | 1 | 1 | |
| 18 | 97075-08025 | BOLT PERNO | 1 | 1 | 1 | 1 | 1 | |
| 19 | 92995-08600 | WASHER ARANDELA | 1 | 1 | 1 | 1 | 1 | |
| 20 | 6J8-43131-01 | BOLT, CLAMP BRACKET TORNILLO DE ABRAZADERA DEL SOP | 1 | 1 | 1 | 1 | 1 | |
| 21 | 90386-22M15 | BUSH BUJE | 2 | 2 | 2 | 2 | 2 | |
| 22 | 90201-22M03 | WASHER, PLATE ARANDELA PLANA | 2 | 2 | 2 | 2 | 2 | |
| 23 | 6J8-43113-01 | PLATE, CLAMP BRACKET PLACA ABRAZADERA SOPORTE | 1 | 1 | 1 | 1 | 1 | |
| 24 | 90185-22043 | NUT, SELF-LOCKING TUERCA AUTOBLOCANTE | 2 | 2 | 2 | 2 | 2 | |
| 25 | 6G5-43145-01 | CAP, CLAMP BRACKET TAPA | 2 | 2 | 2 | 2 | 2 | |
| 26 | 676-42511-03-4D | BRACKET, STEERING SOPORTE DE DIRECCION | 1 | 1 | 1 | 1 | 1 | |
| 27 | 97075-08030 | BOLT PERNO | 2 | 2 | 2 | 2 | 2 | |

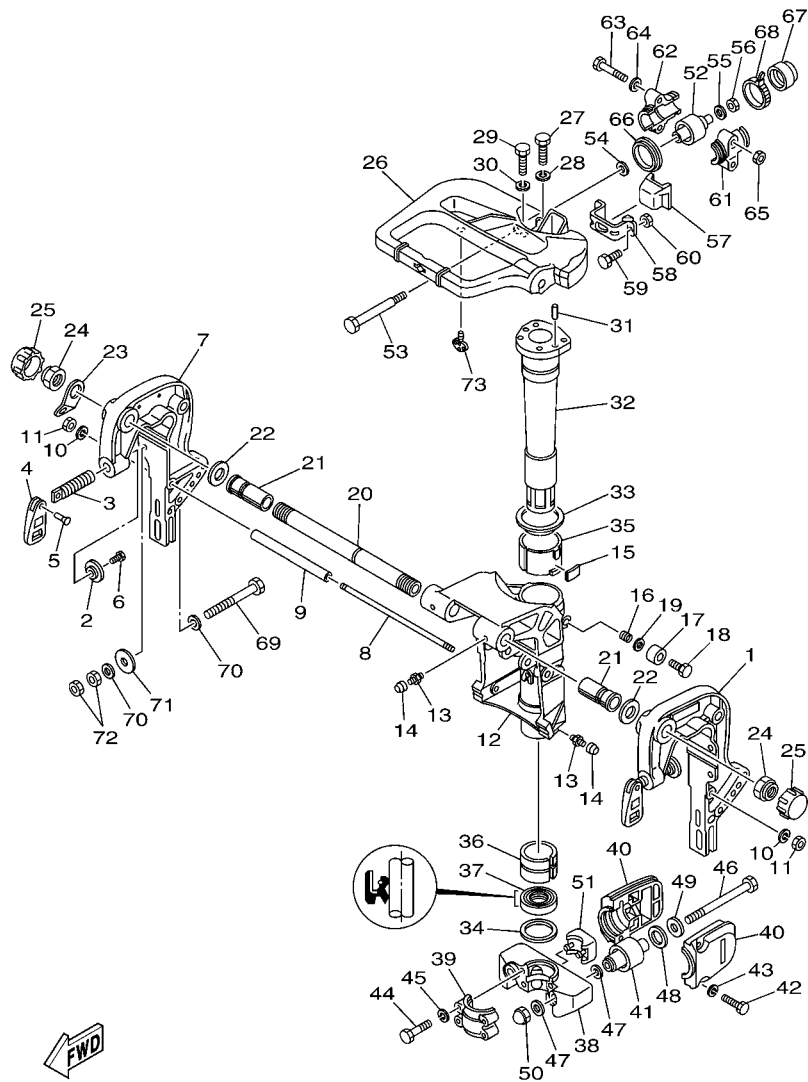


6J44200-D170

FIG. 17 BRACKET 1

SOPORTE 1

| REF. NO. | PART NO. CODIGO Nº | DESCRIPTION DESCRIPCION | E40M | 40MH | E40W | 40WH | 40W | REMARKS OBSERVACIONES |
|----------|--------------------|--|------|------|------|------|-----|-----------------------|
| 28 | 92995-08100 | WASHER ARANDELA | 2 | 2 | 2 | 2 | 2 | |
| 29 | 97075-08035 | BOLT PERNO | 2 | 2 | 2 | 2 | 2 | |
| 30 | 92995-08100 | WASHER ARANDELA | 2 | 2 | 2 | 2 | 2 | |
| 31 | 93608-12063 | PIN, DOWEL PASADOR DE CLAVIJA | 2 | 2 | 2 | 2 | 2 | |
| 32 | 676-42521-00-94 | SHAFT, STEERING PIVOT EJE PIVOTE DE DIRECCION | 1 | 1 | 1 | 1 | 1 | |
| 33 | 90209-52M00 | WASHER ARANDELA DE SEPARACION | 1 | 1 | 1 | 1 | 1 | |
| 34 | 90201-44M01 | WASHER, PLATE ARANDELA PLANA | 1 | 1 | 1 | 1 | 1 | |
| 35 | 90386-52M02 | BUSH BUJE | 1 | 1 | 1 | 1 | 1 | |
| 36 | 90386-44M03 | BUSH BUJE | 1 | 1 | 1 | 1 | 1 | |
| 37 | 93109-44M00 | OIL SEAL SELLO ACEITE | 1 | 1 | 1 | 1 | 1 | |
| 38 | 676-44551-01-4D | HOUSING, LOWER MOUNT RUBBER CAJA AMORTIGUADOR INFERIOR HU | 1 | 1 | 1 | 1 | 1 | |
| 39 | 676-44552-01-4D | HOUSING, LOWER MOUNT RUBBER CAJA AMORTIGUADOR INFERIOR HU | 1 | 1 | 1 | 1 | 1 | |
| 40 | 676-44553-01-4D | COVER, LOWER MOUNT CUBIERTA, AMORTIGUADOR INFERIOR | 2 | 2 | 2 | 2 | 2 | |
| 41 | 679-44555-00-94 | MOUNT DAMPER, LOWER SIDE AMORTIGUADOR DE HULE LADO INFE | 2 | 2 | 2 | 2 | 2 | |
| 42 | 97075-08030 | BOLT PERNO | 4 | 4 | 4 | 4 | 4 | |
| 43 | 92995-08100 | WASHER ARANDELA | 4 | 4 | 4 | 4 | 4 | |
| 44 | 97095-08045 | BOLT PERNO | 4 | 4 | 4 | 4 | 4 | |
| 45 | 92995-08100 | WASHER ARANDELA | 4 | 4 | 4 | 4 | 4 | |
| 46 | 90101-12M01 | BOLT TORNILLO | 2 | 2 | 2 | 2 | 2 | |
| 47 | 90201-12M16 | WASHER, PLATE ARANDELA PLANA | 4 | 4 | 4 | 4 | 4 | |
| 48 | 90202-21100 | WASHER, PLATE ARANDELA DE PLANA | 2 | 2 | 2 | 2 | 2 | |
| 49 | 90201-13M11 | WASHER, PLATE ARANDELA PLANA | 2 | 2 | 2 | 2 | 2 | |
| 50 | 95380-12800 | NUT, CROWN TUERCA | 2 | 2 | 2 | 2 | 2 | |
| 51 | 676-44575-00 | DAMPER, LOWER MOUNT RUBBER AMORTIGUADOR INFERIOR | 1 | 1 | 1 | 1 | 1 | |
| 52 | 679-44514-00-94 | MOUNT DAMPER, UPPER SIDE AMORTIGUADOR LADO SUPERIOR | 2 | 2 | 2 | 2 | 2 | |
| 53 | 90101-08M02 | BOLT TORNILLO | 2 | 2 | 2 | 2 | 2 | |
| 54 | 90201-08M08 | WASHER, PLATE ARANDELA PLANA | 2 | 2 | 2 | 2 | 2 | |

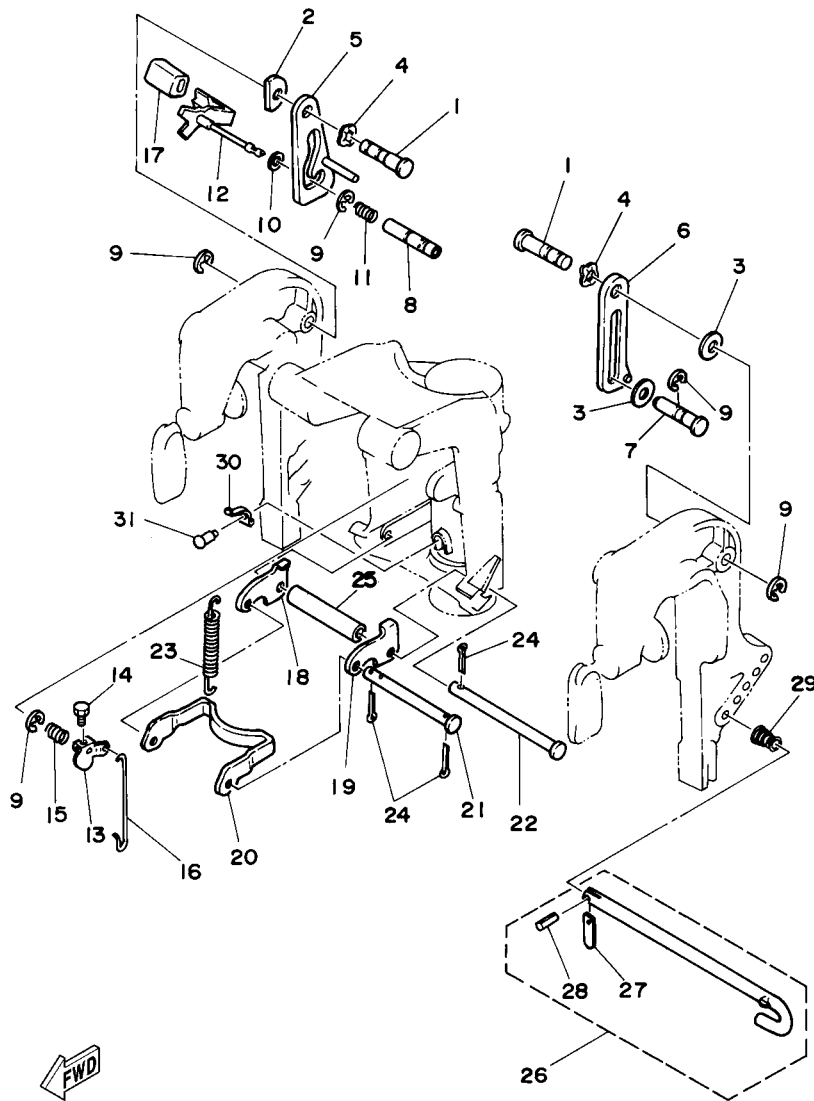


6J44200-D170

FIG. 17 BRACKET 1

SOPORTE 1

| REF. NO. | PART NO. CODIGO Nº | DESCRIPTION DESCRIPCION | E40M | 40MH | E40W | 40WH | 40W | REMARKS OBSERVACIONES |
|----------|--------------------|--|------|------|------|------|-----|-----------------------|
| 55 | 90201-09M00 | WASHER, PLATE ARANDELA PLANA | 2 | 2 | 2 | 2 | 2 | |
| 56 | 90185-08057 | NUT, SELF-LOCKING TUERCA AUTOBLOCANTE | 2 | 2 | 2 | 2 | 2 | |
| 57 | 676-44533-00 | DAMPER, UPPER MOUNT RUBBER AMORTIGUADOR SUPERIOR | 1 | 1 | 1 | 1 | 1 | |
| 58 | 676-44518-00 | BRACKET COMP. SOPORTE | 1 | 1 | 1 | 1 | 1 | |
| 59 | 97095-06025 | BOLT PERNO | 2 | 2 | 2 | 2 | 2 | |
| 60 | 95380-06600 | NUT, HEXAGON TUERCA | 2 | 2 | 2 | 2 | 2 | |
| 61 | 676-44511-00-94 | COVER, UPPER MOUNT CUBIERTA AMORTIGUADOR SUPERIOR | 2 | 2 | 2 | 2 | 2 | |
| 62 | 676-44512-00-94 | COVER, UPPER MOUNT CUBIERTA AMORTIGUADOR SUPERIOR | 2 | 2 | 2 | 2 | 2 | |
| 63 | 97095-08050 | BOLT PERNO | 4 | 4 | 4 | 4 | 4 | |
| 64 | 92995-08600 | WASHER ARANDELA | 4 | 4 | 4 | 4 | 4 | |
| 65 | 95380-08600 | NUT TUERCA | 4 | 4 | 4 | 4 | 4 | |
| 66 | 676-44521-00 | SEAL SELLO DE GOMA | 2 | 2 | 2 | 2 | 2 | |
| 67 | 676-44522-01 | SEAL SELLO DE GOMA | 2 | 2 | 2 | 2 | 2 | |
| 68 | 90465-11M52 | CLAMP BRIDA | 2 | 2 | 2 | 2 | 2 | |
| 69 | 90101-10M58 | BOLT TORNILLO | 4 | 4 | 4 | 4 | 4 | |
| 70 | 92995-10600 | WASHER ARANDELA | 8 | 8 | 8 | 8 | 8 | |
| 71 | 90201-12426 | WASHER, PLATE ARANDELA PLANA | 4 | 4 | 4 | 4 | 4 | |
| 72 | 95380-10600 | NUT TUERCA | 8 | 8 | 8 | 8 | 8 | |
| 73 | 676-42591-00 | HOLDER, SHEAR PIN SUJETADOR, PASADOR DE HELICE | 1 | 1 | | | | E40G E40G |



6J40200-4180

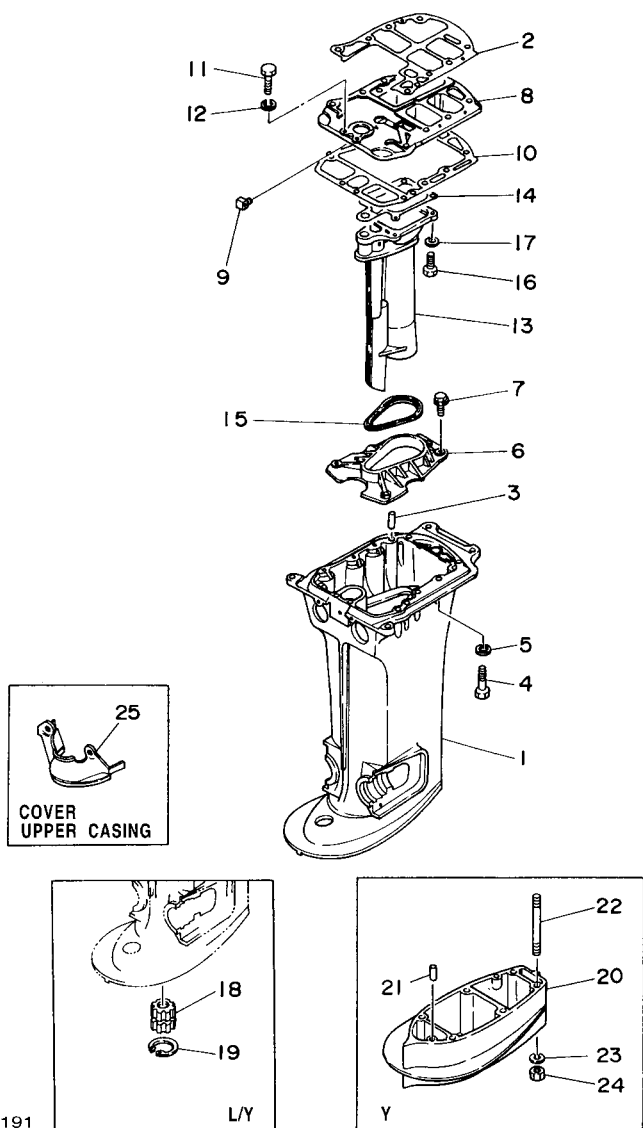
FIG. 18 BRACKET 2

SOPORTE 2

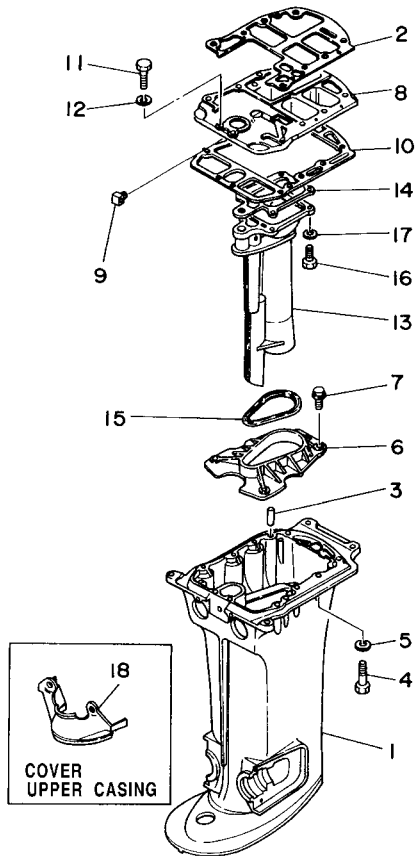
| REF. NO. | PART NO. CODIGO Nº | DESCRIPTION DESCRIPCION | E40M | 40MH | E40W | 40WH | 40W | REMARKS OBSERVACIONES |
|----------|--------------------|---|------|------|------|------|-----|-----------------------|
| 1 | 90249-12M27 | PIN PASADOR | 2 | 2 | 2 | 2 | 2 | |
| 2 | 676-43132-00 | WASHER, FRICTION ARANDELA DE FRICCION | 1 | 1 | 1 | 1 | 1 | |
| 3 | 90202-12M01 | WASHER, PLATE ARANDELA DE PLANA | 2 | 2 | 2 | 2 | 2 | |
| 4 | 90206-12M00 | WASHER, WAVE ARANDELA ONDULADA | 2 | 2 | 2 | 2 | 2 | |
| 5 | 6F5-43627-80 | STOPPER RETEN | 1 | 1 | 1 | 1 | 1 | |
| 6 | 6F5-43628-80 | STOPPER RETEN | 1 | 1 | 1 | 1 | 1 | |
| 7 | 90249-12M13 | PIN PASADOR | 1 | 1 | 1 | 1 | 1 | |
| 8 | 676-43191-00 | SHAFT, STOPPER EJE DE TOPE | 1 | 1 | 1 | 1 | 1 | |
| 9 | 99080-10600 | CIRCLIP PRESILLA REDONDA | 5 | 5 | 5 | 5 | 5 | |
| 10 | 90202-06M00 | WASHER, PLATE ARANDELA DE PLANA | 1 | 1 | 1 | 1 | 1 | |
| 11 | 90501-14M05 | SPRING, COMPRESSION RESORTE DE COMPRESION | 1 | 1 | 1 | 1 | 1 | |
| 12 | 6F5-43630-80 | TILT LEVER ASSY PLANCA DE INCLINACION COMPL | 1 | 1 | 1 | 1 | 1 | |
| 13 | 676-43631-00 | LEVER, TILT PALANCA DE INCLINACION | 1 | 1 | 1 | 1 | 1 | |
| 14 | 97095-05010 | BOLT PERNO | 1 | 1 | 1 | 1 | 1 | |
| 15 | 90508-14M00 | SPRING, TORSION RESORTE DE TORSION | 1 | 1 | 1 | 1 | 1 | |
| 16 | 676-43616-00 | ROD, TILT LOCK VARILLA SEGURO DE INCLINACION | 1 | 1 | 1 | 1 | 1 | |
| 17 | 663-43318-00 | COVER CUBIERTA | 1 | 1 | 1 | 1 | 1 | |
| 18 | 676-43614-00 | PLATE, TILT LOCK PLACA DE SEGURO DE INCLINACION | 1 | 1 | 1 | 1 | 1 | |
| 19 | 676-43615-00 | PLATE, TILT LOCK PLACA DE SEGURO DE INCLINACION | 1 | 1 | 1 | 1 | 1 | |
| 20 | 676-43613-00 | ARM, TILT LOCK BRAZO DE SEGURO DE INCLINACION | 1 | 1 | 1 | 1 | 1 | |
| 21 | 90249-07M01 | PIN PASADOR | 1 | 1 | 1 | 1 | 1 | |
| 22 | 90249-07M02 | PIN PASADOR | 1 | 1 | 1 | 1 | 1 | |
| 23 | 90506-30M00 | SPRING, TENSION RESORTE DE TENSION | 2 | 2 | 2 | 2 | 2 | |
| 24 | 91490-20012 | PIN, COTTER CHAVETA | 4 | 4 | 4 | 4 | 4 | |
| 25 | 90387-07M04 | COLLAR ESPACIADOR | 1 | 1 | 1 | 1 | 1 | |
| 26 | 676-43160-02 | TILT ROD ASSY VARILLA DE BASCULACION COMPL. | 1 | 1 | 1 | 1 | 1 | |
| 27 | 676-43165-00 | PLATE, TILT LOCK PLACA DE TOPE, VARILLA SEGURID | 1 | 1 | 1 | 1 | 1 | |

FIG. 19 UPPER CASING 1

FUNDA SUPERIOR 1



| REF. NO. | PART NO. CODIGO Nº | DESCRIPTION DESCRIPCION | E40M | 40MH | E40W | 40WH | 40W | REMARKS OBSERVACIONES |
|----------|--------------------|---|------|------|------|------|-----|--|
| 1 | 676-45111-03-4D | CASING, UPPER CAJA SUPERIOR | | 1 | | | | S(16.6") S(16.6") |
| | 6H9-45111-11-4D | CASING, UPPER CAJA SUPERIOR | | 1 | 1 | 1 | | L(21.6"),Y(23.5") L(21.6"),Y(23.5") |
| 2 | 6F5-45113-A0 | GASKET, UPPER CASING EMPAQUE | | 1 | | 1 | | |
| 3 | 93606-25M00 | PIN, DOWEL PASADOR DE CLAVIJA | | 2 | | 2 | | |
| 4 | 97095-08040 | BOLT PERNO | | 8 | | 8 | | |
| 5 | 92995-08100 | WASHER ARANDELA | | 8 | | 8 | | |
| 6 | 6F5-41116-00-5B | PROTECTOR PROTECTOR | | 1 | | 1 | | |
| 7 | 90105-06M01 | BOLT, FLANGE TORNILLO | | 4 | | 4 | | |
| 8 | 6F5-41137-02-94 | GUIDE, EXHAUST GUIA DE ESCAPE | | 1 | | 1 | | |
| 9 | 6F5-41141-00 | ELBOW, WATER MIXING SELLO | | 1 | | 1 | | |
| 10 | 676-45114-A1 | GASKET, UPPER CASING EMPAQUE | | 1 | | 1 | | |
| 11 | 97095-06025 | BOLT PERNO | | 3 | | 3 | | |
| 12 | 92995-06100 | WASHER, SPRING ARANDELA | | 3 | | 3 | | |
| 13 | 676-41131-01-5B | MANIFOLD, EXT. 1 TUBO MULTIPLE DE ESCAPE | | 1 | | 1 | | |
| 14 | 676-41133-A1 | GASKET, EXHAUST MANIFOLD 1 EMPAQUE ESCAPE MULTIPLE | | 1 | | 1 | | |
| 15 | 676-45127-00 | SEAL SELLO DE GOMA | | 1 | | 1 | | |
| 16 | 97095-06020 | BOLT PERNO | | 4 | | 4 | | |
| 17 | 92995-06100 | WASHER, SPRING ARANDELA | | 4 | | 4 | | |
| 18 | 6A0-45318-00 | BUSHING, DRIVE SHAFT BUJE, EJE DE MANDO | | 1 | | 1 | | L(21.6"),Y(23.5") L(21.6"),Y(23.5") |
| 19 | 93420-36M01 | CIRCLIP SEGURO | | 1 | | 1 | | L(21.6"),Y(23.5") L(21.6"),Y(23.5") |
| 20 | 6A0-45211-20-4D | EXTENSION EXTENSION | | 1 | | | | Y(23.5") Y(23.5") |
| 21 | 93606-12019 | PIN, DOWEL PASADOR DE CLAVIJA | | 2 | | | | Y(23.5") Y(23.5") |
| 22 | 90116-08M12 | BOLT, STUD ESPARRAGO | | 6 | | | | Y(23.5") Y(23.5") |
| 23 | 92990-08100 | WASHER, SPRING ARANDELA PLANA | | 6 | | | | Y(23.5") Y(23.5") |
| 24 | 95380-08600 | NUT TUERCA | | 6 | | | | Y(23.5") Y(23.5") |
| 25 | 676-45151-00-4D | COVER, UPPER CASING CUBIERTA FUNDA SUPERIOR | | 1 | | | | S(16.6") S(16.6") |
| | 676-45151-10-4D | COVER, UPPER CASING CUBIERTA FUNDA SUPERIOR | | 1 | 1 | 1 | | L(21.6"),Y(23.5") L(21.6"),Y(23.5") |



6F51200-2190

FIG. 20 UPPER CASING 2

FUNDA SUPERIOR 2

| REF. NO. | PART NO. CODIGO Nº | DESCRIPTION DESCRIPCION | E40M | 40MH | E40W | 40WH | 40W | REMARKS OBSERVACIONES |
|----------|--------------------|---|------|------|------|------|-----|-----------------------|
| 1 | 676-45111-03-4D | CASING, UPPER CAJA SUPERIOR | 1 | | | | | S(17.5") S(17.5") |
| | 676-45111-15-4D | CASING, UPPER CAJA SUPERIOR | 1 | 1 | | | | L(22.5") L(22.5") |
| 2 | 6F5-45113-A0 | GASKET, UPPER CASING EMPAQUE | 1 | 1 | | | | |
| 3 | 93606-25M00 | PIN, DOWEL PASADOR DE CLAVIJA | 2 | 2 | | | | |
| 4 | 97095-08040 | BOLT PERNO | 8 | 8 | | | | |
| 5 | 92995-08100 | WASHER ARANDELA | 8 | 8 | | | | |
| 6 | 6F5-41116-00-5B | PROTECTOR PROTECTOR | 1 | 1 | | | | |
| 7 | 90105-06M01 | BOLT, FLANGE TORNILLO | 4 | 4 | | | | |
| 8 | 6F5-41137-02-94 | GUIDE, EXHAUST GUIA DE ESCAPE | 1 | 1 | | | | |
| 9 | 6F5-41141-00 | ELBOW, WATER MIXING SELLO | 1 | 1 | | | | |
| 10 | 676-45114-A1 | GASKET, UPPER CASING EMPAQUE | 1 | 1 | | | | |
| 11 | 97095-06025 | BOLT PERNO | 3 | 3 | | | | |
| 12 | 92995-06100 | WASHER, SPRING ARANDELA | 3 | 3 | | | | |
| 13 | 676-41131-01-5B | MANIFOLD, EXT. 1 TUBO MULTIPLE DE ESCAPE | 1 | 1 | | | | |
| 14 | 676-41133-A1 | GASKET, EXHAUST MANIFOLD 1 EMPAQUE ESCAPE MULTIPLE | 1 | 1 | | | | |
| 15 | 676-45127-00 | SEAL SELLO DE GOMA | 1 | 1 | | | | |
| 16 | 97095-06020 | BOLT PERNO | 4 | 4 | | | | |
| 17 | 92995-06100 | WASHER, SPRING ARANDELA | 4 | 4 | | | | |
| 18 | 676-45151-00-4D | COVER, UPPER CASING CUBIERTA FUNDA SUPERIOR | 1 | | | | | S(17.5") S(17.5") |
| | 676-45151-10-4D | COVER, UPPER CASING CUBIERTA FUNDA SUPERIOR | 1 | 1 | | | | L(22.5") L(22.5") |

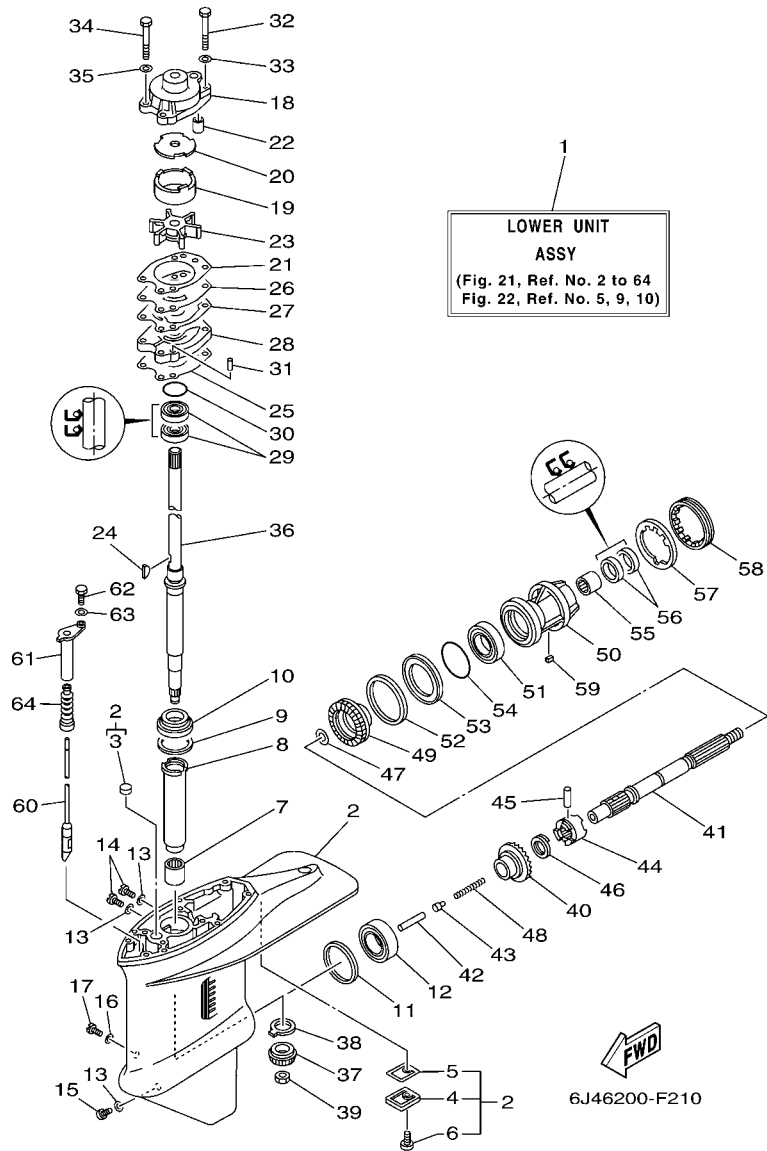


FIG. 21 LOWER CASING & DRIVE 1 IMPULSOR E INFERIOR 1

| REF. NO. | PART NO. CODIGO Nº | DESCRIPTION DESCRIPCION | E40M | 40MH | E40W | 40WH | 40W | REMARKS OBSERVACIONES |
|----------|--------------------|---|------|------|------|------|-----|--------------------------------------|
| 1 | 6J4-45300-02-4D | LOWER UNIT ASSY CONJUNTO UNIDAD INFERIOR | | 1 | | | | S(16.6") S(16.6") |
| | 6J4-45300-12-4D | LOWER UNIT ASSY CONJUNTO UNIDAD INFERIOR | | 1 | | 1 | 1 | L(21.6") L(21.6") |
| | 6J4-45300-22-4D | LOWER UNIT ASSY CONJUNTO UNIDAD INFERIOR | | 1 | | | | Y(23.5") Y(23.5") |
| | 6H9-45300-12-4D | LOWER UNIT ASSY CONJUNTO UNIDAD INFERIOR | | 1 | | | | L(21.6")-FOR MYS L(21.6")-FOR MYS |
| 2 | 6J4-W4531-01-4D | CASING, LOWER FUNDA INFERIOR | | 1 | | 1 | 1 | EXCEPT FOR MYS EXCEPT FOR MYS |
| | 6H9-W4531-12-4D | CASING, LOWER FUNDA INFERIOR | | 1 | | | | FOR MYS FOR MYS |
| 3 | 90338-22007 | .PLUG .TAPON | | 1 | | 1 | 1 | |
| 4 | 679-45321-02 | .PLATE .PLACA | | 1 | | 1 | 1 | |
| 5 | 679-45315-A1 | .PACKING, LOWER CASING .EMPAQUE | | 1 | | 1 | 1 | |
| 6 | 97880-06016 | .SCREW, PAN HEAD .TORNILLO DE CABEZA CON PLANA | | 1 | | 1 | 1 | |
| 7 | 93315-32224 | BEARING COJINETE DE RODILLOS | | 1 | | 1 | 1 | |
| 8 | 679-45536-00 | SLEEVE, DRIVE SHAFT CAMISA EJE DE MANDO | | 1 | | 1 | 1 | |
| 9 | 663-45587-01 | SHIM (T:0.10MM) LAINA (T:0.10MM) | | 1 | | 1 | 1 | UR UR |
| | 663-45587-10 | SHIM (T:0.12MM) LAINA (T:0.12MM) | | 1 | | 1 | 1 | UR UR |
| | 663-45587-20 | SHIM (T:0.15MM) LAINA (T:0.15MM) | | 1 | | 1 | 1 | UR UR |
| | 663-45587-30 | SHIM (T:0.18MM) LAINA (T:0.18MM) | | 1 | | 1 | 1 | UR UR |
| | 663-45587-40 | SHIM (T:0.30MM) LAINA (T:0.30MM) | | 1 | | 1 | 1 | UR UR |
| | 663-45587-50 | SHIM (T:0.40MM) LAINA (T:0.40MM) | | 1 | | 1 | 1 | UR UR |
| | 663-45587-60 | SHIM (T:0.50MM) LAINA (T:0.50MM) | | 1 | | 1 | 1 | UR UR |
| 10 | 93332-00001 | BEARING COJINETE | | 1 | | 1 | 1 | |
| 11 | 663-45567-01 | SHIM (T:0.10MM) LAINA (T:0.10MM) | | 1 | | 1 | 1 | UR UR |
| | 663-45567-10 | SHIM (T:0.12MM) LAINA (T:0.12MM) | | 1 | | 1 | 1 | UR UR |
| | 663-45567-20 | SHIM (T:0.15MM) LAINA (T:0.15MM) | | 1 | | 1 | 1 | UR UR |
| | 663-45567-30 | SHIM (T:0.18MM) LAINA (T:0.18MM) | | 1 | | 1 | 1 | UR UR |
| | 663-45567-40 | SHIM (T:0.30MM) LAINA (T:0.30MM) | | 1 | | 1 | 1 | UR UR |
| | 663-45567-50 | SHIM (T:0.40MM) LAINA (T:0.40MM) | | 1 | | 1 | 1 | UR UR |
| | 663-45567-60 | SHIM (T:0.50MM) LAINA (T:0.50MM) | | 1 | | 1 | 1 | UR UR |

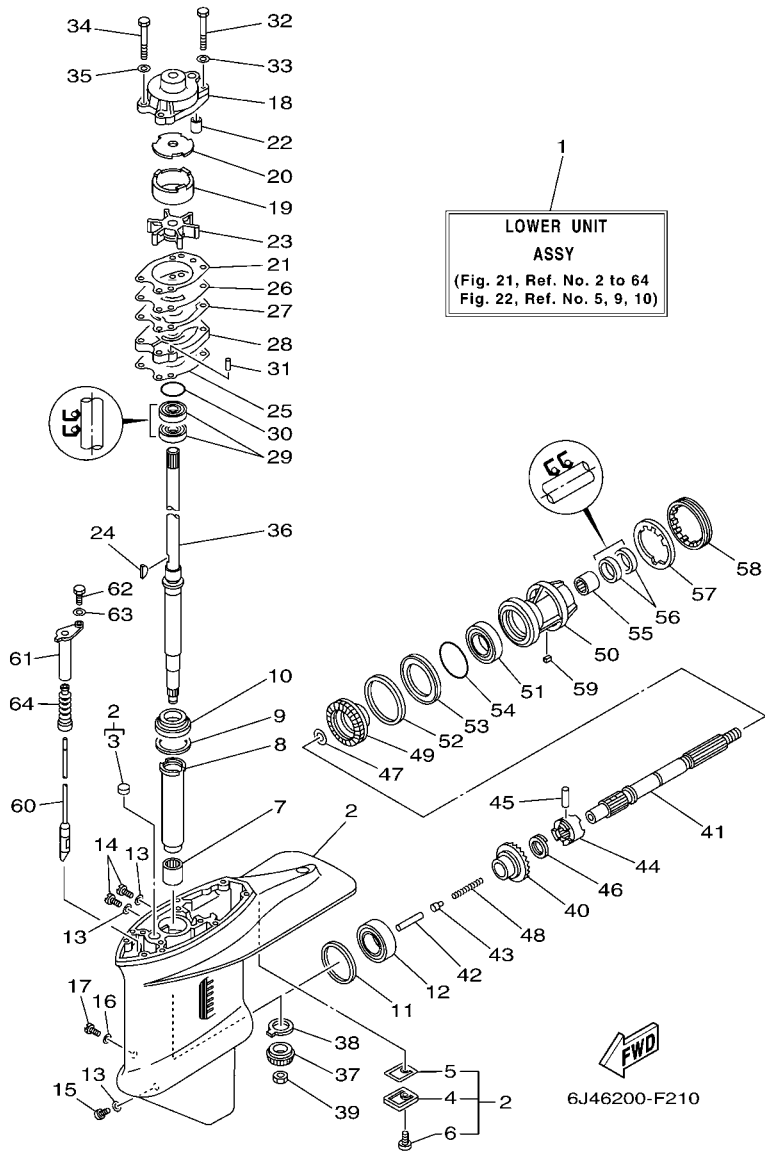
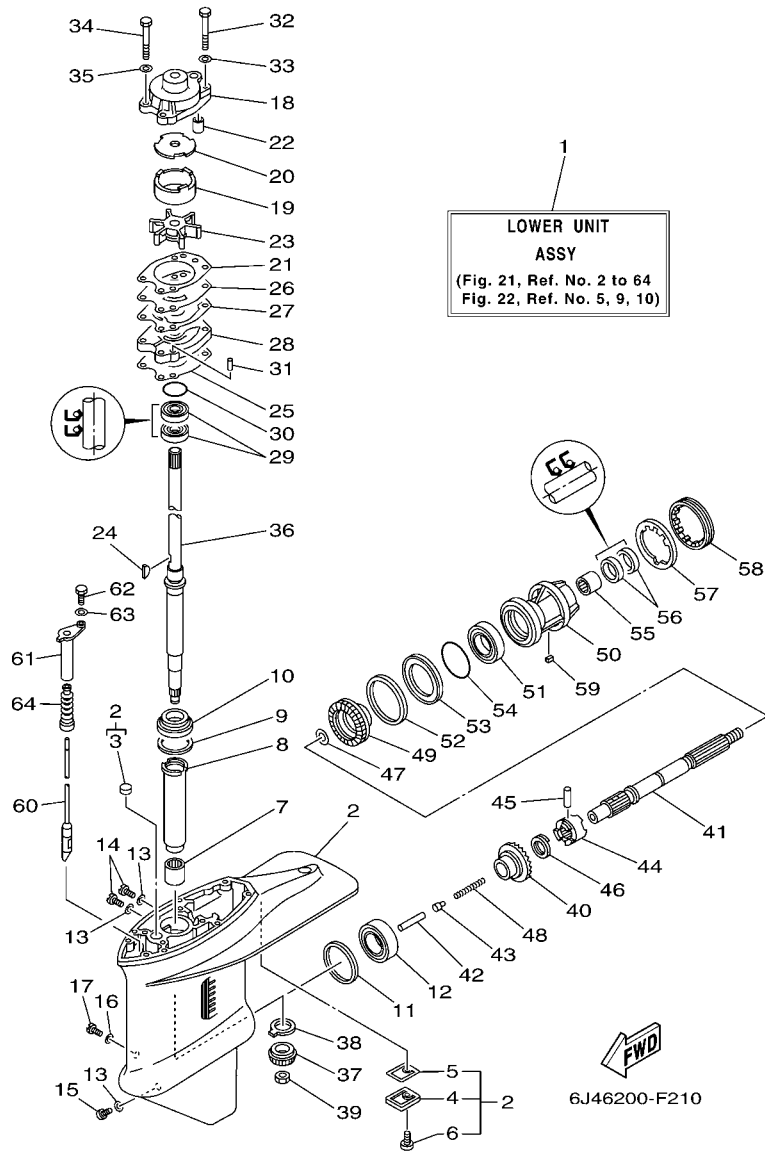


FIG. 21 LOWER CASING & DRIVE 1 IMPULSOR E INFERIOR 1

| REF. NO. | PART NO. CODIGO Nº | DESCRIPTION DESCRIPCION | E40M | 40MH | E40W | 40WH | 40W | REMARKS OBSERVACIONES |
|----------|--------------------|---|------|------|------|------|-----|------------------------------|
| 12 | 93332-00003 | BEARING COJINETE | | 1 | | 1 | 1 | |
| 13 | 90430-08020 | GASKET JUNTA | | 3 | | 3 | 3 | |
| 14 | 90340-08002 | PLUG, STRAIGHT SCREW TORNILLO, DE DRENAJE | | 2 | | 2 | 2 | |
| 15 | 688-45341-10 | PLUG, DRAIN TAPON, DREN | | 1 | | 1 | 1 | |
| 16 | 90430-06M03 | GASKET JUNTA | | 1 | | 1 | 1 | |
| 17 | 90149-06M00 | SCREW TORNILLO DE REGLAJE | | 1 | | 1 | 1 | |
| 18 | 676-44311-00 | HOUSING, WATER PUMP CAJA BOMBA DE AGUA | | 1 | | 1 | 1 | |
| 19 | 676-44322-40 | INSERT, CARTRIDGE CARTUCHO | | 1 | | 1 | 1 | FOR CHROMATE FOR CHROMATE |
| 20 | 676-44321-40 | INNER PLATE, CARTRIDGE PLACA INTERIOR CARTUCHO | | 1 | | 1 | 1 | FOR CHROMATE FOR CHROMATE |
| 21 | 676-44315-A1 | GASKET, WATER PUMP EMPAQUE | | 1 | | 1 | 1 | |
| 22 | 663-44366-00 | DAMPER, WATER SEAL GOMA DEL SELLO DE AGUA | | 1 | | 1 | 1 | |
| 23 | 6F5-44352-00 | IMPELLER IMPULSOR | | 1 | | 1 | 1 | |
| 24 | 90280-04M00 | KEY, WOODRUFF CUNA WOODRUFF | | 1 | | 1 | 1 | |
| 25 | 679-44316-A1 | GASKET, WATER PUMP EMPAQUE | | 1 | | 1 | 1 | |
| 26 | 676-44323-40 | OUTER PLATE, CARTRIDGE PLACA EXTERIOR DEL CARTUCHO | | 1 | | 1 | 1 | FOR CHROMATE FOR CHROMATE |
| 27 | 676-44324-A1 | GASKET, CARTRIDGE EMPAQUE | | 1 | | 1 | 1 | |
| 28 | 679-44341-00-94 | HOUSING, WATER PUMP CAJA BOMBA DE AGUA | | 1 | | 1 | 1 | |
| 29 | 93101-22M00 | OIL SEAL SELLO ACEITE | | 2 | | 2 | 2 | |
| 30 | 93210-41042 | O-RING ANILLO O | | 1 | | 1 | 1 | |
| 31 | 93604-08062 | PIN, DOWEL PASADOR DE CLAVIJA | | 2 | | 2 | 2 | |
| 32 | 97095-08055 | BOLT PERNO | | 2 | | 2 | 2 | |
| 33 | 92995-08600 | WASHER ARANDELA | | 2 | | 2 | 2 | |
| 34 | 97095-08045 | BOLT PERNO | | 2 | | 2 | 2 | |
| 35 | 92995-08600 | WASHER ARANDELA | | 2 | | 2 | 2 | |
| 36 | 679-45501-00 | DRIVE SHAFT COMP. EJE DE MANDO COMPL. | | 1 | | | | S(16.6") S(16.6") |
| | 679-45501-10 | DRIVE SHAFT COMP. EJE DE MANDO COMPL. | | 1 | | 1 | 1 | L(21.6") L(21.6") |
| | 6A0-45501-20 | DRIVE SHAFT COMP. EJE DE MANDO COMPL. | | 1 | | | | Y(23.5") Y(23.5") |



1
**LOWER UNIT
 ASSY**
 (Fig. 21, Ref. No. 2 to 64
 Fig. 22, Ref. No. 5, 9, 10)

FWD
 6J46200-F210

FIG. 21 LOWER CASING & DRIVE 1 IMPULSOR E INFERIOR 1

| REF. NO. | PART NO. CODIGO Nº | DESCRIPTION DESCRIPCION | E40M | 40MH | E40W | 40WH | 40W | REMARKS OBSERVACIONES |
|----------|--------------------|--|------|------|------|------|-----|-----------------------|
| 37 | 6H9-45551-00 | PINION (13T) PINON (13T) | | 1 | | 1 | 1 | |
| 38 | 663-45552-00 | BEARING, PLAIN COJINETE PLANO | | 1 | | 1 | 1 | |
| 39 | 90170-12138 | NUT TUERCA | | 1 | | 1 | 1 | |
| 40 | 679-45560-00 | GEAR 1 (26T) ENGRANAJE 1 (26T) | | 1 | | 1 | 1 | |
| 41 | 679-45611-01 | SHAFT, PROPELLER EJE PROPUSOR | | 1 | | 1 | 1 | |
| 42 | 676-45635-00 | PLUNGER, SHIFT EMBOLO DE CAMBIO | | 1 | | 1 | 1 | |
| 43 | 663-45634-00 | SLIDE, SHIFT DESILIZADOR, CAMBIO | | 1 | | 1 | 1 | |
| 44 | 663-45631-01 | CLUTCH, DOG EMBRAGUE DE GARRA | | 1 | | 1 | 1 | |
| 45 | 90250-06023 | PIN, STRAIGHT PASADOR CILINDRICO | | 1 | | 1 | 1 | |
| 46 | 663-45633-00 | RING, CROSS PIN ANILLO DE PASADOR | | 1 | | 1 | 1 | |
| 47 | 90201-22429 | WASHER, PLATE ARANDELA PLANA | | 1 | | 1 | 1 | |
| 48 | 90501-16M01 | SPRING, COMPRESSION RESORTE DE COMPRESION | | 1 | | 1 | 1 | |
| 49 | 679-45571-00 | GEAR 2 (26T) ENGRANAJE 2 (26T) | | 1 | | 1 | 1 | |
| 50 | 679-45331-00-94 | HOUSING, BEARING CAJA DE COJINETE | | 1 | | 1 | 1 | |
| 51 | 93306-00702 | BEARING COJINETE | | 1 | | 1 | 1 | |
| 52 | 663-45577-01 | SHIM (T:0.10MM) LAINA (T:0.10MM) | | 1 | | 1 | 1 | UR |
| | 663-45577-10 | SHIM (T:0.12MM) LAINA (:0.12MM) | | 1 | | 1 | 1 | UR |
| | 663-45577-20 | SHIM (T:0.15MM) LAINA (T:0.15MM) | | 1 | | 1 | 1 | UR |
| | 663-45577-30 | SHIM (T:0.18MM) LAINA (T:0.18MM) | | 1 | | 1 | 1 | UR |
| | 663-45577-40 | SHIM (T:0.30MM) LAINA (T:0.30MM) | | 1 | | 1 | 1 | UR |
| | 663-45577-50 | SHIM (T:0.40MM) LAINA (T:0.40MM) | | 1 | | 1 | 1 | UR |
| | 663-45577-60 | SHIM (T:0.50MM) LAINA (T:0.50MM) | | 1 | | 1 | 1 | UR |
| 53 | 663-45576-00 | WASHER, THRUST ARANDELA DE EMPUJE AXIAL | | 1 | | 1 | 1 | |
| 54 | 93210-66M98 | O-RING ANILLO O | | 1 | | 1 | 1 | |
| 55 | 93317-22204 | BEARING COJINETE | | 1 | | 1 | 1 | |
| 56 | 93101-22M00 | OIL SEAL SELLO ACEITE | | 2 | | 2 | 2 | |
| 57 | 90214-48M03 | WASHER, CLAW ARANDELA DE POSICION | | 1 | | 1 | 1 | |

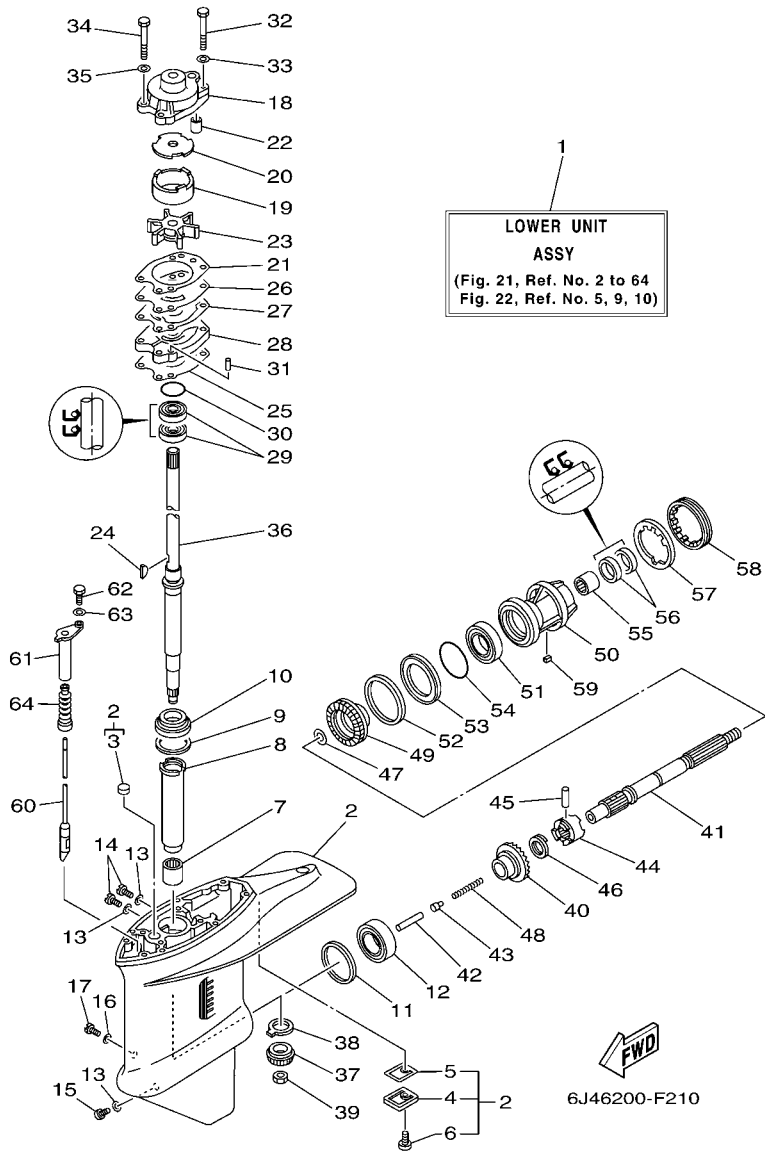
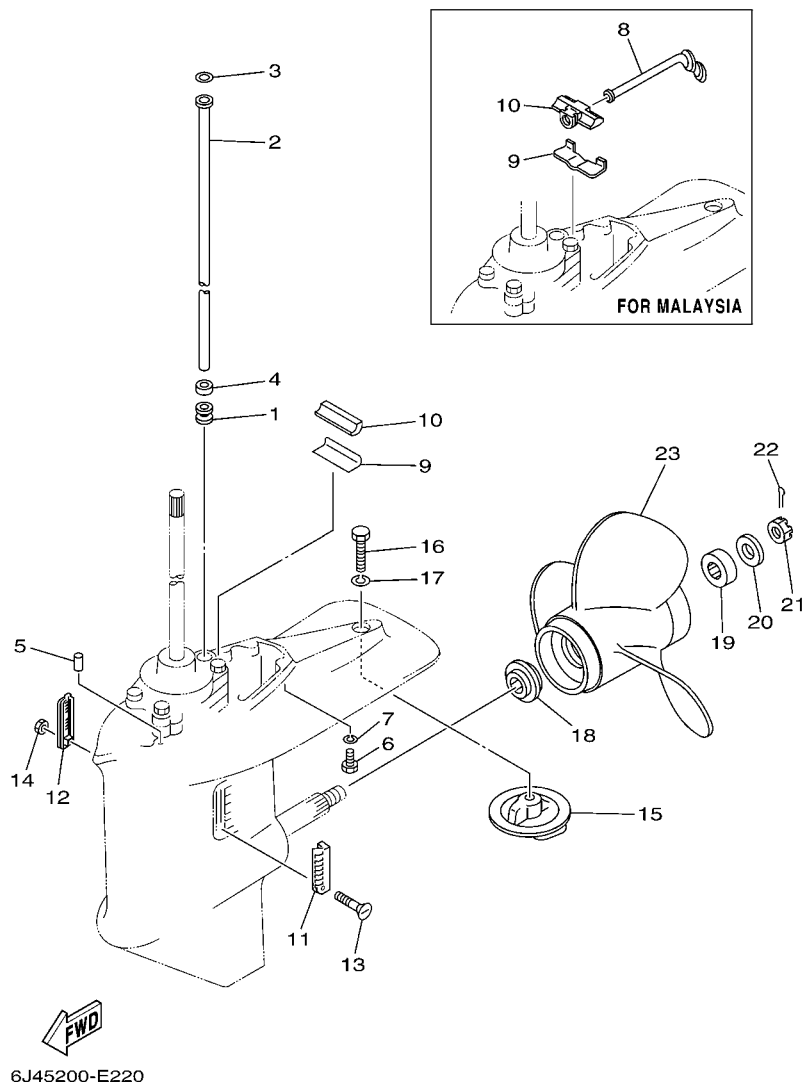


FIG. 21 LOWER CASING & DRIVE 1 IMPULSOR E INFERIOR 1

| REF. NO. | PART NO. CODIGO Nº | DESCRIPTION DESCRIPCION | E40M | 40MH | E40W | 40WH | 40W | REMARKS OBSERVACIONES |
|----------|--------------------|--|------|------|------|------|-----|-----------------------|
| 58 | 697-45384-00 | NUT TUERCA | | 1 | | 1 | 1 | |
| 59 | 90282-04010 | KEY, STRAIGHT CHAVETA, RECTA | | 1 | | 1 | 1 | |
| 60 | 679-44150-00 | SHIFT CAM ASSY CONJUNTO EJE LEVA COMPL. | | 1 | | | | S(16.6") S(16.6") |
| | 679-44150-10 | SHIFT CAM ASSY CONJUNTO EJE LEVA COMPL. | | 1 | | 1 | 1 | L(21.6") L(21.6") |
| | 6A0-44150-20 | SHIFT CAM ASSY CONJUNTO EJE LEVA COMPL. | | 1 | | | | Y(23.5") Y(23.5") |
| 61 | 679-44152-00 | BUSHING, SHIFT CAM BUJE LEVA DE CAMBIO | | 1 | | 1 | 1 | |
| 62 | 97095-06018 | BOLT PERNO | | 1 | | 1 | 1 | |
| 63 | 92995-06600 | WASHER ARANDELA | | 1 | | 1 | 1 | |
| 64 | 650-44147-00 | BOOT, SHIFT ROD HULE DE VARILLA | | 1 | | 1 | 1 | |

FIG. 22 LOWER CASING & DRIVE 2 IMPULSOR E INFERIOR 2



| REF. NO. | PART NO. CODIGO Nº | DESCRIPTION DESCRIPCION | E40M | 40MH | E40W | 40WH | 40W | REMARKS OBSERVACIONES |
|----------|--------------------|--|------|------|------|------|-----|--|
| 1 | 663-44367-00 | DAMPER, WATER SEAL GOMA DEL SELLO DE AGUA | | 1 | | 1 | 1 | |
| 2 | 676-44361-00 | TUBE, WATER TUBO DE AGUA | | 1 | | | | S(16.6") S(16.6") |
| | 676-44361-10 | TUBE, WATER TUBO DE AGUA | | 1 | | 1 | 1 | L(21.6") L(21.6") |
| | 6A0-44361-20 | TUBE, WATER TUBO DE AGUA | | 1 | | | | Y(23.5") Y(23.5") |
| 3 | 90202-12060 | WASHER, PLATE ARANDELA DE PLANA | | 1 | | 1 | 1 | |
| 4 | 90430-12072 | GASKET JUNTA | | 1 | | 1 | 1 | |
| 5 | 93606-12019 | PIN, DOWEL PASADOR DE CLAVIJA | | 2 | | 2 | 2 | |
| 6 | 97075-08030 | BOLT PERNO | | 6 | | 6 | 6 | S(16.6"),L(21.6") S(16.6"),L(21.6") |
| 7 | 92995-08100 | WASHER ARANDELA | | 6 | | 6 | 6 | S(16.6"),L(21.6") S(16.6"),L(21.6") |
| 8 | 6H9-44362-00 | TUBE, WATER TUBO DE AGUA | | 1 | | | | FOR MYS FOR MYS |
| 9 | 663-45376-00-94 | GUIDE, SEAL DAMPER GUIA DE SELLO GOMA | | 1 | | 1 | 1 | EXCEPT FOR MYS EXCEPT FOR MYS |
| | 6H9-45376-00 | GUIDE, SEAL DAMPER GUIA DE SELLO GOMA | | 1 | | | | FOR MYS FOR MYS |
| 10 | 663-45375-00 | DAMPER, SEAL GOMA DE SELLO | | 1 | | 1 | 1 | EXCEPT FOR MYS EXCEPT FOR MYS |
| | 6H9-45375-00 | DAMPER, SEAL GOMA DE SELLO | | 1 | | | | FOR MYS FOR MYS |
| 11 | 688-45214-02 | COVER, WATER INLET 1 CUBIERTA ENTRADA AGUA 1 | | 1 | | 1 | 1 | |
| 12 | 688-45215-02 | COVER, WATER INLET 2 CUBIERTA ENTRADA AGUA 2 | | 1 | | 1 | 1 | |
| 13 | 90152-05M09 | SCREW, COUNTERSUNK TORNILLO EMBUTIDO | | 1 | | 1 | 1 | |
| 14 | 90185-05002 | NUT, NYLON TUERCA AUTOBLOCANTE | | 1 | | 1 | 1 | |
| 15 | 679-45371-00 | TAB-TRIM QUILLA ESTABILIZADOR | | 1 | | 1 | 1 | |
| 16 | 97095-10030 | BOLT PERNO | | 1 | | 1 | 1 | |
| 17 | 92995-10100 | WASHER ARANDELA | | 1 | | 1 | 1 | |
| 18 | 663-45987-02 | SPACER ESPACIADOR | | 1 | | 1 | 1 | |
| 19 | 670-45997-02 | SPACER ESPACIADOR | | 1 | | 1 | 1 | |
| 20 | 92990-16200 | WASHER, PLAIN ARANDELA PLANA | | 1 | | 1 | 1 | |
| 21 | 90171-16011 | NUT, CASTLE TUERCA ENTALLADA | | 1 | | 1 | 1 | |
| 22 | 91490-30025 | PIN, COTTER CHAVETA | | 1 | | 1 | 1 | |
| 23 | 69W-45943-00-EL | PROPELLER (3X11"X15"-G) PROPELA (3X11"X15"-G) | | 1 | | 1 | 1 | UR UR |

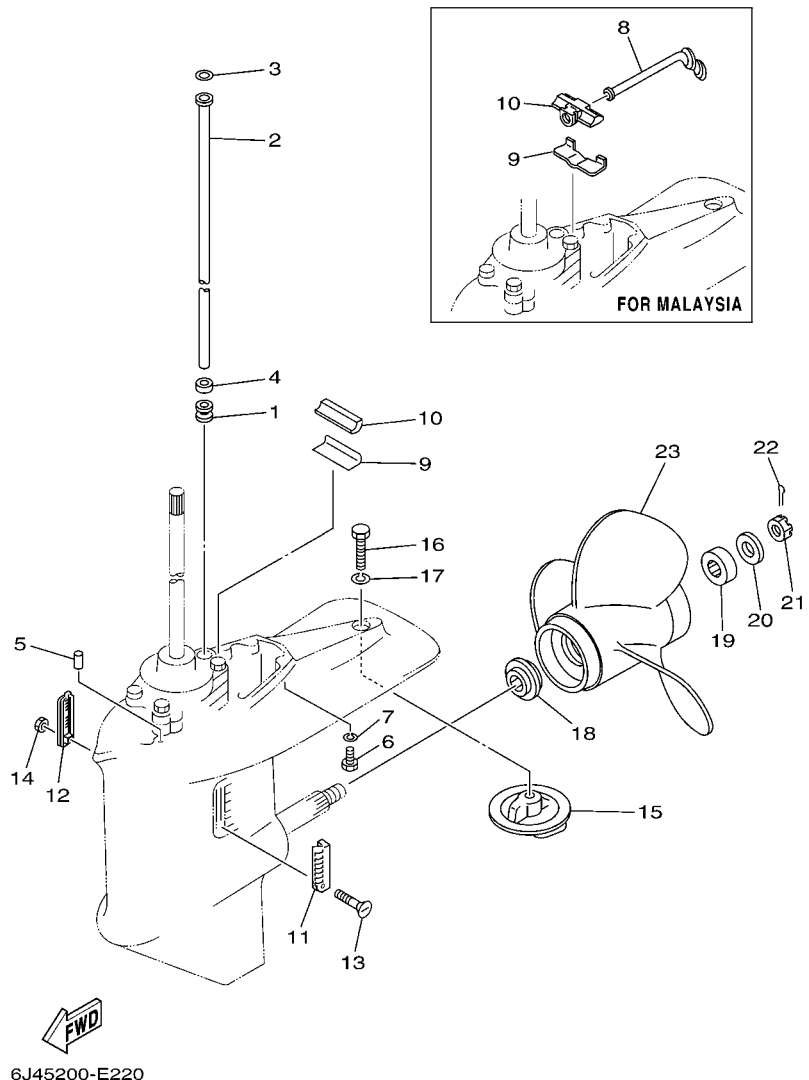


FIG. 22 LOWER CASING & DRIVE 2 IMPULSOR E INFERIOR 2

| REF. NO. | PART NO. CODIGO Nº | DESCRIPTION DESCRIPCION | E40M | 40MH | E40W | 40WH | 40W | REMARKS OBSERVACIONES |
|----------|--------------------|--|------|------|------|------|-----|-----------------------|
| | | | | | | | | |
| 23 | 69W-45945-00-EL | PROPELLER (3X11-1/8"X13"-G) PROPELA (3X11-1/8"X13"-G) | | 1 | | 1 | 1 | UR UR |
| | 69W-45947-00-EL | PROPELLER (3X11-5/8"X11"-G) PROPELA (3X11-5/8"X11"-G) | | 1 | | 1 | 1 | UR UR |
| | 69W-45952-00-EL | PROPELLER (3X11-3/8"X12"-G) PROPELA (3X11-3/8"X12"-G) | | 1 | | 1 | 1 | UR UR |
| | 663-45941-01-EL | PROPELLER (3X10-3/4"X17"-G) PROPELA (3X10-3/4"X17"-G) | | 1 | | 1 | 1 | UR UR |
| | 663-45949-01-EL | PROPELLER (3X10-3/4"X16"-G) PROPELA (3X10-3/4"X16"-G) | | 1 | | 1 | 1 | UR UR |
| | 663-45952-02-EL | PROPELLER (3X11-3/8"X12"-G) PROPELA (3X11-3/8"X12"-G) | | 1 | | 1 | 1 | UR UR |
| | 663-45954-01-EL | PROPELLER (3X11-3/4"X10"-G) PROPELA (3X11-3/4"X10"-G) | | 1 | | 1 | 1 | UR UR |
| | 663-45956-01-EL | PROPELLER (3X12-1/4"X9"-G) PROPELA (3X12-1/4"X9"-G) | | 1 | | 1 | 1 | UR UR |
| | 663-45958-01-EL | PROPELLER (3X11-1/4"X14"-G) PROPELA (3X11-1/4"X14"-G) | | 1 | | 1 | 1 | UR UR |
| | 663-45930-00-98 | PROPELLER (3X10-1/4"X14"-G) PROPELA (3X10-1/4"X14"-G) | | 1 | | 1 | 1 | UR UR |
| | 663-45976-00-98 | PROPELLER (3X10-1/4"X15"-G) PROPELA (3X10-1/4"X15"-G) | | 1 | | 1 | 1 | UR UR |
| | 663-45978-00-98 | PROPELLER (3X10-1/4"X16"-G) PROPELA (3X10-1/4"X16"-G) | | 1 | | 1 | 1 | UR UR |
| | 663-45970-60-98 | PROPELLER (3X11-3/4"X12"-G) PROPELA (3X11-3/4"X12"-G) | | 1 | | 1 | 1 | UR UR |
| | 663-45972-60-98 | PROPELLER (3X12"X11"-G) PROPELA (3X12"X11"-G) | | 1 | | 1 | 1 | UR UR |
| | 663-45974-60-98 | PROPELLER (3X11-1/2"X13"-G) PROPELA (3X11-1/2"X13"-G) | | 1 | | 1 | 1 | UR UR |

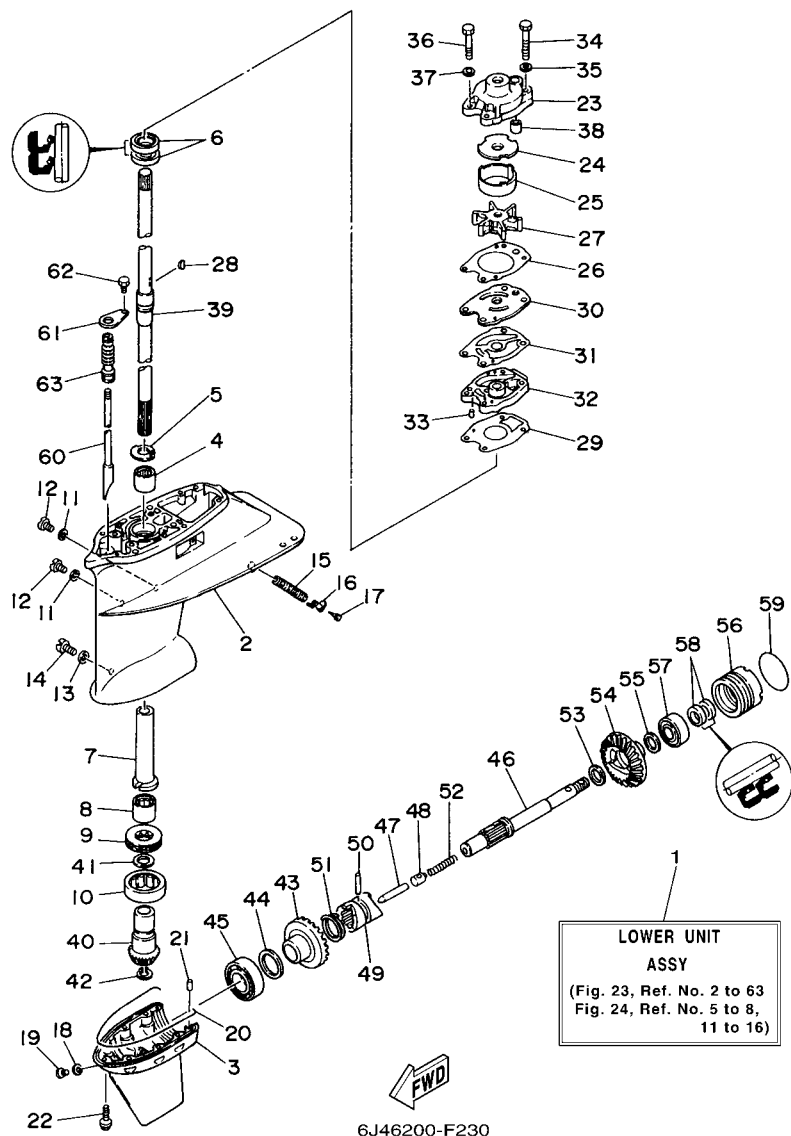


FIG. 23 LOWER CASING & DRIVE 3 IMPULSOR E INFERIOR 3

| REF. NO. | PART NO. CODIGO Nº | DESCRIPTION DESCRIPCION | E40M | 40MH | E40W | 40WH | 40W | REMARKS OBSERVACIONES |
|----------|--------------------|---|------|------|------|------|-----|------------------------------|
| 1 | 6F6-45300-02-4D | LOWER UNIT ASSY CONJUNTO UNIDAD INFERIOR | 1 | | | | | S(17.5") S(17.5") |
| | 6F6-45300-12-4D | LOWER UNIT ASSY CONJUNTO UNIDAD INFERIOR | 1 | 1 | | | | L(22.5") L(22.5") |
| 2 | 6F5-45311-02-4D | CASING, LOWER FUNDA INFERIOR | 1 | 1 | | | | |
| 3 | 6F5-45312-01-4D | CASING, LOWER FUNDA INFERIOR | 1 | 1 | | | | |
| 4 | 93315-217U0 | BEARING COJINETE DE RODILLOS | 1 | 1 | | | | |
| 5 | 676-45533-00 | SHIM ARANDELA DE EMPUJE AXIAL | 1 | 1 | | | | |
| 6 | 93101-22M00 | OIL SEAL SELLO ACEITE | 2 | 2 | | | | |
| 7 | 676-45536-00 | SLEEVE, DRIVE SHAFT CAMISA EJE DE MANDO | 1 | 1 | | | | |
| 8 | 93315-324U1 | BEARING COJINETE DE RODILLOS | 1 | 1 | | | | |
| 9 | 93342-624U0 | BEARING COJINETES CON RODAMIENTOS | 1 | 1 | | | | |
| 10 | 93390-000U0 | BEARING COJINETE DE RODILLOS | 1 | 1 | | | | |
| 11 | 90430-08020 | GASKET JUNTA | 2 | 2 | | | | |
| 12 | 90340-08002 | PLUG, STRAIGHT SCREW TORNILLO, DE DRENAJE | 2 | 2 | | | | |
| 13 | 90430-06M03 | GASKET JUNTA | 1 | 1 | | | | |
| 14 | 90149-06M00 | SCREW TORNILLO DE REGLAJE | 1 | 1 | | | | |
| 15 | 676-45215-01 | COVER, WATER INLET 2 CUBIERTA ENTRADA AGUA 2 | 1 | 1 | | | | |
| 16 | 6F5-45279-01 | CAP TAPA | 1 | 1 | | | | |
| 17 | 97780-60525 | SCREW, TAPPING TORNILLO DE CABEZA DE CONO ACH | 1 | 1 | | | | |
| 18 | 90430-08020 | GASKET JUNTA | 1 | 1 | | | | |
| 19 | 688-45341-10 | PLUG, DRAIN TAPON, DREN | 1 | 1 | | | | |
| 20 | 676-45314-00 | SEAL, LOWER CASING SELLO DE FUNDA INFERIOR | 1 | 1 | | | | |
| 21 | 93604-09068 | PIN, DOWEL PASADOR DE CLAVIJA | 1 | 1 | | | | |
| 22 | 90105-06M01 | BOLT, FLANGE TORNILLO | 9 | 9 | | | | |
| 23 | 676-44311-00 | HOUSING, WATER PUMP CAJA BOMBA DE AGUA | 1 | 1 | | | | |
| 24 | 676-44321-40 | INNER PLATE, CARTRIDGE PLACA INTERIOR CARTUCHO | 1 | 1 | | | | FOR CHROMATE FOR CHROMATE |
| 25 | 676-44322-40 | INSERT, CARTRIDGE CARTUCHO | 1 | 1 | | | | FOR CHROMATE FOR CHROMATE |
| 26 | 676-44315-A1 | GASKET, WATER PUMP EMPAQUE | 1 | 1 | | | | |

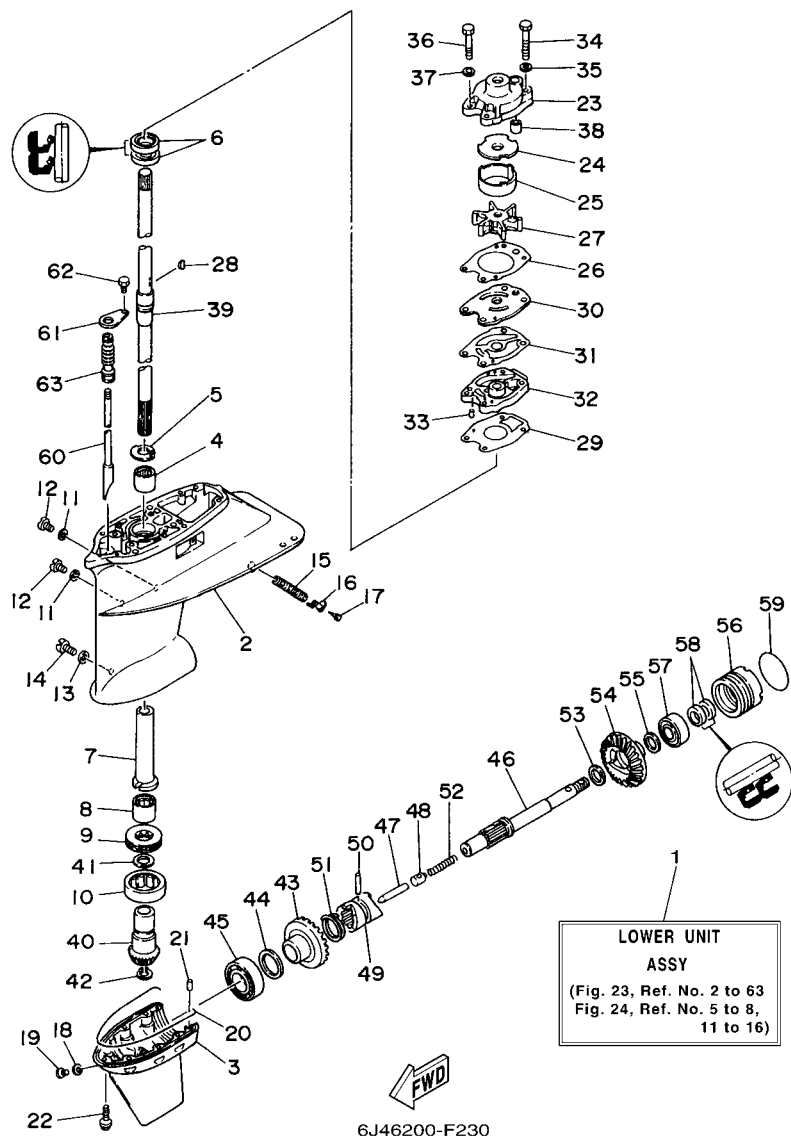


FIG. 23 LOWER CASING & DRIVE 3 IMPULSOR E INFERIOR 3

| REF. NO. | PART NO. CODIGO Nº | DESCRIPTION DESCRIPCION | E40M | 40MH | E40W | 40WH | 40W | REMARKS OBSERVACIONES |
|----------|--------------------|---|------|------|------|------|-----|------------------------------|
| 27 | 6F5-44352-00 | IMPELLER IMPULSOR | 1 | | 1 | | | |
| 28 | 90280-04M00 | KEY, WOODRUFF CUNA WOODRUFF | 1 | | 1 | | | |
| 29 | 676-44316-A1 | GASKET, WATER PUMP EMPAQUE | 1 | | 1 | | | |
| 30 | 676-44323-40 | OUTER PLATE, CARTRIDGE PLACA EXTERIOR DEL CARTUCHO | 1 | | 1 | | | FOR CHROMATE FOR CHROMATE |
| 31 | 676-44324-A1 | GASKET, CARTRIDGE EMPAQUE | 1 | | 1 | | | |
| 32 | 676-44341-01-94 | HOUSING, WATER PUMP CAJA BOMBA DE AGUA | 1 | | 1 | | | |
| 33 | 93604-08062 | PIN, DOWEL PASADOR DE CLAVIJA | 3 | | 3 | | | |
| 34 | 97095-08055 | BOLT PERNO | 2 | | 2 | | | |
| 35 | 92995-08600 | WASHER ARANDELA | 2 | | 2 | | | |
| 36 | 97095-08045 | BOLT PERNO | 2 | | 2 | | | |
| 37 | 92995-08600 | WASHER ARANDELA | 2 | | 2 | | | |
| 38 | 663-44366-00 | DAMPER, WATER SEAL GOMA DEL SELLO DE AGUA | 1 | | 1 | | | |
| 39 | 676-45501-00 | DRIVE SHAFT COMP. EJE DE MANDO COMPL. | 1 | | | | | S(17.5") S(17.5") |
| | 676-45501-10 | DRIVE SHAFT COMP. EJE DE MANDO COMPL. | 1 | | 1 | | | L(22.5") L(22.5") |
| 40 | 6F5-45551-01 | PINION (13T) PINON (13T) | 1 | | 1 | | | |
| 41 | 676-45587-00 | SHIM (T:0.70MM) LAINA (T:0.70MM) | 1 | | 1 | | | UR UR |
| | 676-45587-10 | SHIM (T:0.75MM) LAINA (T:0.75MM) | 1 | | 1 | | | UR UR |
| | 676-45587-20 | SHIM (T:0.80MM) LAINA (T:0.80MM) | 1 | | 1 | | | UR UR |
| | 676-45587-30 | SHIM (T:0.85MM) LAINA (T:0.85MM) | 1 | | 1 | | | UR UR |
| 42 | 93410-16007 | CIRCLIP SEGURO | 1 | | 1 | | | |
| 43 | 6F5-45560-01 | GEAR 1 (24T) ENGRANAJE 1 (24T) | 1 | | 1 | | | |
| 44 | 676-45567-00 | SHIM (T:0.7MM) LAINA (T:0.7MM) | 1 | | 1 | | | UR UR |
| | 676-45567-10 | SHIM (T:0.8MM) LAINA (T:0.8MM) | 1 | | 1 | | | UR UR |
| | 676-45567-20 | SHIM (T:0.9MM) LAINA (T:0.9MM) | 1 | | 1 | | | UR UR |
| | 676-45567-30 | SHIM (T:1.0MM) LAINA (T:1.0MM) | 1 | | 1 | | | UR UR |
| | 676-45567-40 | SHIM (T:1.1MM) LAINA (T:1.1MM) | 1 | | 1 | | | UR UR |
| | 676-45567-50 | SHIM (T:1.2MM) LAINA (T:1.2MM) | 1 | | 1 | | | UR UR |

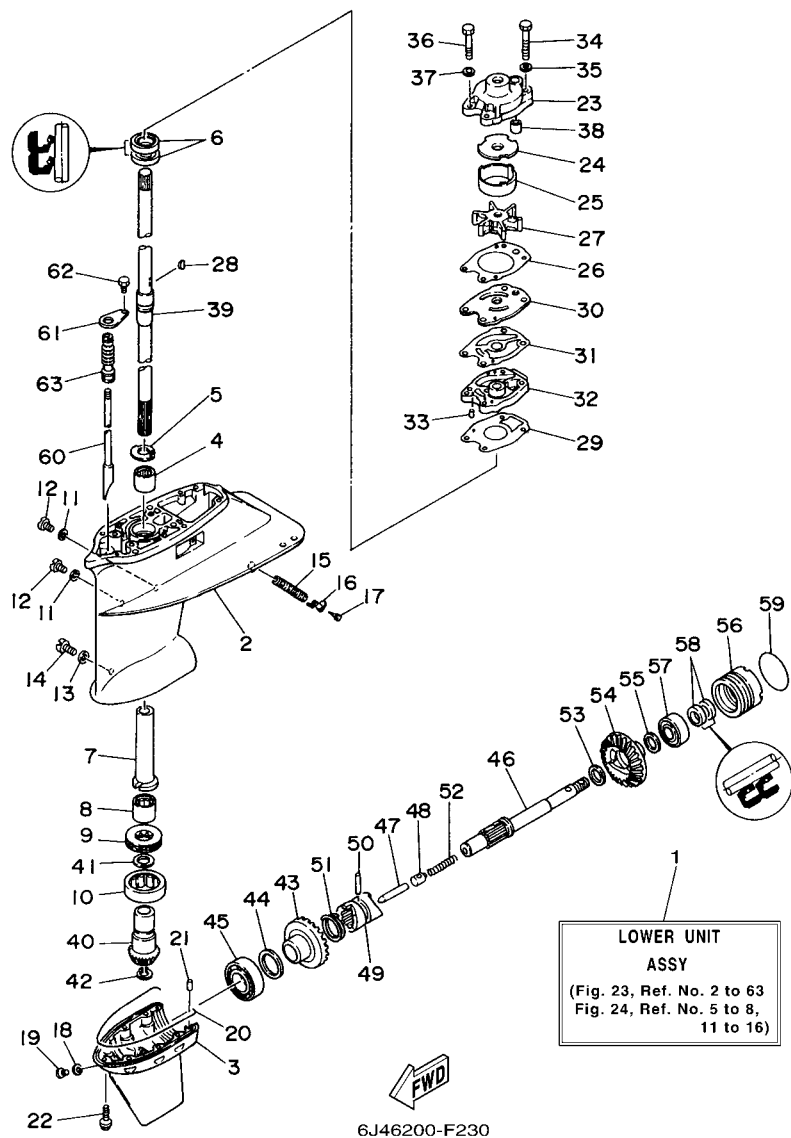
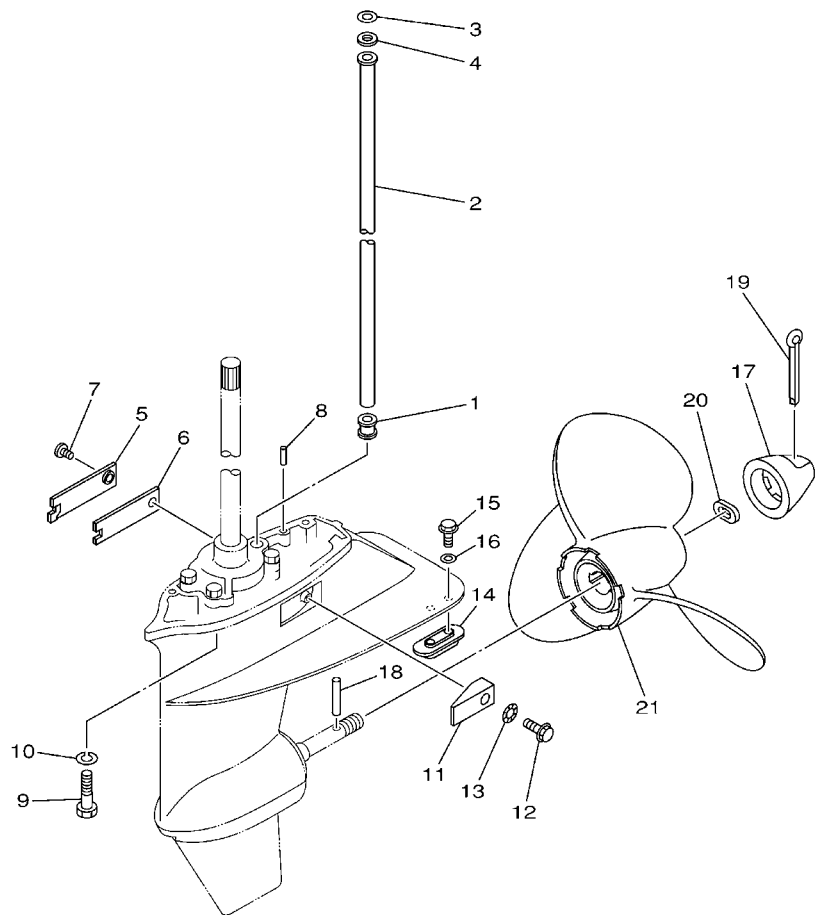


FIG. 23 LOWER CASING & DRIVE 3 IMPULSOR E INFERIOR 3

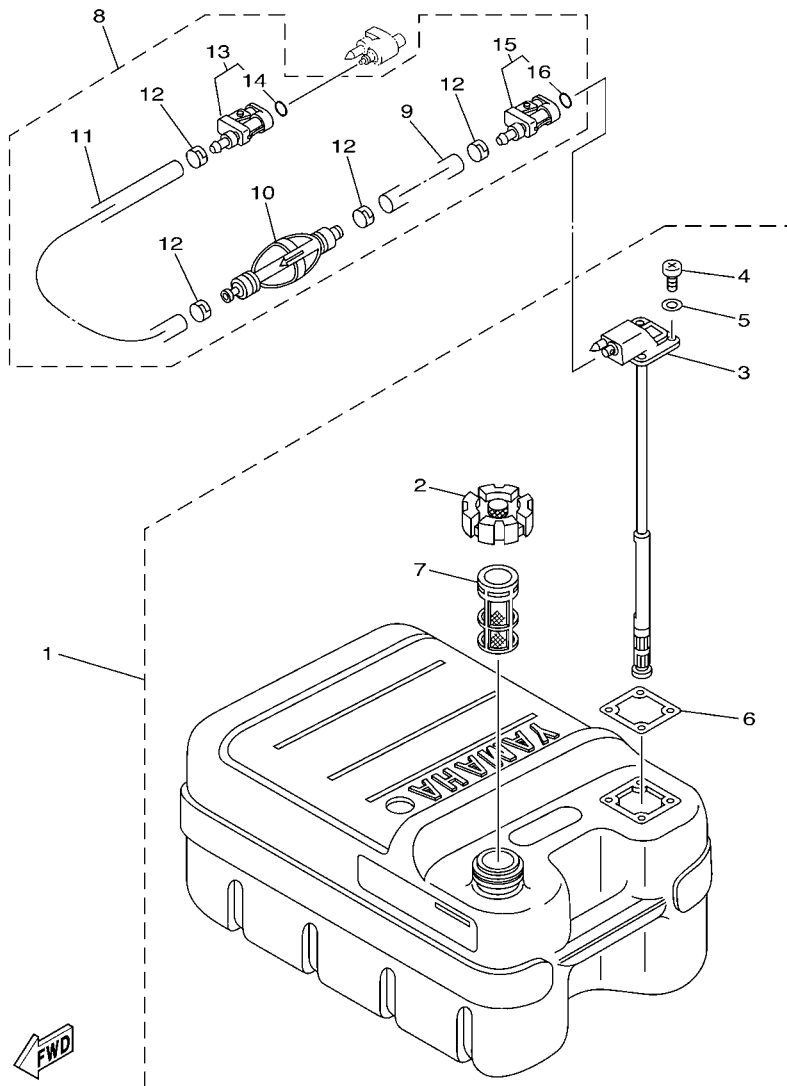
| REF. NO. | PART NO. CODIGO Nº | DESCRIPTION DESCRIPCION | E40M | 40MH | E40W | 40WH | 40W | REMARKS OBSERVACIONES |
|----------|--------------------|--|------|------|------|------|-----|-----------------------|
| 45 | 93332-000U0 | BEARING COJINETE | 1 | | 1 | | | |
| 46 | 6F6-45611-00 | SHAFT, PROPELLER EJE PROPUSOR | 1 | | 1 | | | |
| 47 | 676-45635-00 | PLUNGER, SHIFT EMBOLO DE CAMBIO | 1 | | 1 | | | |
| 48 | 663-45634-00 | SLIDE, SHIFT DESILIZADOR, CAMBIO | 1 | | 1 | | | |
| 49 | 663-45631-01 | CLUTCH, DOG EMBRAGUE DE GARRA | 1 | | 1 | | | |
| 50 | 90250-06023 | PIN, STRAIGHT PASADOR CILINDRICO | 1 | | 1 | | | |
| 51 | 663-45633-00 | RING, CROSS PIN ANILLO DE PASADOR | 1 | | 1 | | | |
| 52 | 90501-16M01 | SPRING, COMPRESSION RESORTE DE COMPRESION | 1 | | 1 | | | |
| 53 | 90201-20MA8 | WASHER, PLATE ARANDELA PLANA | 1 | | 1 | | | |
| 54 | 6F5-45570-00 | GEAR 2 (24T) ENGRANAJE 2 (24T) | 1 | | 1 | | | |
| 55 | 676-45577-00 | SHIM (T:1.8MM) LAINA (T:1.8MM) | 1 | | 1 | | | UR |
| | 676-45577-10 | SHIM (T:1.9MM) LAINA (T:1.9MM) | 1 | | 1 | | | UR |
| | 676-45577-20 | SHIM (T:2.0MM) LAINA (T:2.0MM) | 1 | | 1 | | | UR |
| | 676-45577-30 | SHIM (T:2.1MM) LAINA (T:2.1MM) | 1 | | 1 | | | UR |
| | 676-45577-40 | SHIM (T:2.2MM) LAINA (T:2.2MM) | 1 | | 1 | | | UR |
| | 676-45577-50 | SHIM (T:2.3MM) LAINA (T:2.3MM) | 1 | | 1 | | | UR |
| | 676-45577-60 | SHIM (T:2.4MM) LAINA (T:2.4MM) | 1 | | 1 | | | UR |
| | 676-45577-70 | SHIM (T:2.5MM) LAINA (T:2.5MM) | 1 | | 1 | | | UR |
| 56 | 676-45361-01-94 | CAP, LOWER CASING FUNDA INFERIOR | 1 | | 1 | | | |
| 57 | 93306-20401 | BEARING COJINETE | 1 | | 1 | | | |
| 58 | 93101-20048 | OIL SEAL SELLO ACEITE | 2 | | 2 | | | |
| 59 | 93210-57M00 | O-RING ANILLO O | 1 | | 1 | | | |
| 60 | 676-44150-00 | SHIFT CAM ASSY CONJUNTO EJE LEVA COMPL. | 1 | | | | | S(17.5") S(17.5") |
| | 676-44150-10 | SHIFT CAM ASSY CONJUNTO EJE LEVA COMPL. | 1 | | 1 | | | L(22.5") L(22.5") |
| 61 | 650-45321-00 | PLATE PLACA | 1 | | 1 | | | |
| 62 | 97095-06010 | BOLT PERNO | 1 | | 1 | | | |
| 63 | 650-44147-00 | BOOT, SHIFT ROD HULE DE VARILLA | 1 | | 1 | | | |

FIG. 24 LOWER CASING & DRIVE 4 IMPULSOR E INFERIOR 4



FWD
6J40200-1240

| REF. NO. | PART NO. CODIGO Nº | DESCRIPTION DESCRIPCION | E40M | 40MH | E40W | 40WH | 40W | REMARKS OBSERVACIONES |
|----------|--------------------|--|------|------|------|------|-----|-----------------------|
| 1 | 663-44367-00 | DAMPER, WATER SEAL GOMA DEL SELLO DE AGUA | 1 | | 1 | | | |
| 2 | 676-44361-00 | TUBE, WATER TUBO DE AGUA | 1 | | | | | S(17.5") S(17.5") |
| | 676-44361-10 | TUBE, WATER TUBO DE AGUA | 1 | | 1 | | | L(22.5") L(22.5") |
| 3 | 90202-12060 | WASHER, PLATE ARANDELA DE PLANA | 1 | | 1 | | | |
| 4 | 90430-12072 | GASKET JUNTA | 1 | | 1 | | | |
| 5 | 6F5-45214-00 | COVER, WATER INLET 1 CUBIERTA ENTRADA AGUA 1 | 1 | | 1 | | | |
| 6 | 6F5-45252-00 | SEAT ASIENTO | 1 | | 1 | | | |
| 7 | 90152-06M06 | SCREW, COUNTERSUNK TORNILLO EMBUTIDO | 1 | | 1 | | | |
| 8 | 93606-12019 | PIN, DOWEL PASADOR DE CLAVIJA | 2 | | 2 | | | |
| 9 | 97075-08030 | BOLT PERNO | 6 | | 6 | | | |
| 10 | 92995-08100 | WASHER ARANDELA | 6 | | 6 | | | |
| 11 | 6F5-45251-02 | ANODE CATODE | 1 | | 1 | | | |
| 12 | 90105-06M21 | BOLT, FLANGE TORNILLO | 1 | | 1 | | | |
| 13 | 92990-06300 | WASHER, INTERNAL TOOTH ARANDELA PLANA | 1 | | 1 | | | |
| 14 | 6E0-45251-12 | ANODE CATODE | 1 | | 1 | | | |
| 15 | 95895-06016 | BOLT, FLANGE TORNILLO DE REBORDE | 2 | | 2 | | | |
| 16 | 92990-06300 | WASHER, INTERNAL TOOTH ARANDELA PLANA | 2 | | 2 | | | |
| 17 | 676-45616-01 | NUT, PROPELLER TUERCA DE HELICE | 1 | | 1 | | | |
| 18 | 6F6-45614-00 | PIN, DRIVE PASADOR | 1 | | 1 | | | |
| 19 | 91490-40040 | PIN, COTTER CHAVETA | 1 | | 1 | | | |
| 20 | 90206-16M03 | WASHER, WAVE ARANDELA ONDULADA | 1 | | 1 | | | |
| 21 | 676-45941-62-EL | PROPELLER (3X11-1/2"X11"-H) PROPELA (3X11-1/2"X11"-H) | 1 | | 1 | | | UR |
| | 676-45943-62-EL | PROPELLER (3X11-1/2"X12"-H) PROPELA (3X11-1/2"X12"-H) | 1 | | 1 | | | UR |
| | 676-45945-62-EL | PROPELLER (3X11-3/4"X10"-H) PROPELA (3X11-3/4"X10"-H) | 1 | | 1 | | | UR |
| | 676-45947-62-EL | PROPELLER (3X11-3/4"X8-3/4"-H) PROPELA (3X11-3/4"X8-3/4"-H) | 1 | | 1 | | | UR |
| | 676-45949-62-EL | PROPELLER (3X11-1/2"X13-1/2"-H) PROPELA (3X11-1/2"X13-1/2"-H) | 1 | | 1 | | | UR |
| | 676-45952-62-EL | PROPELLER (3X11-1/2"X13"-H) PROPELA (3X11-1/2"X13"-H) | 1 | | 1 | | | UR |

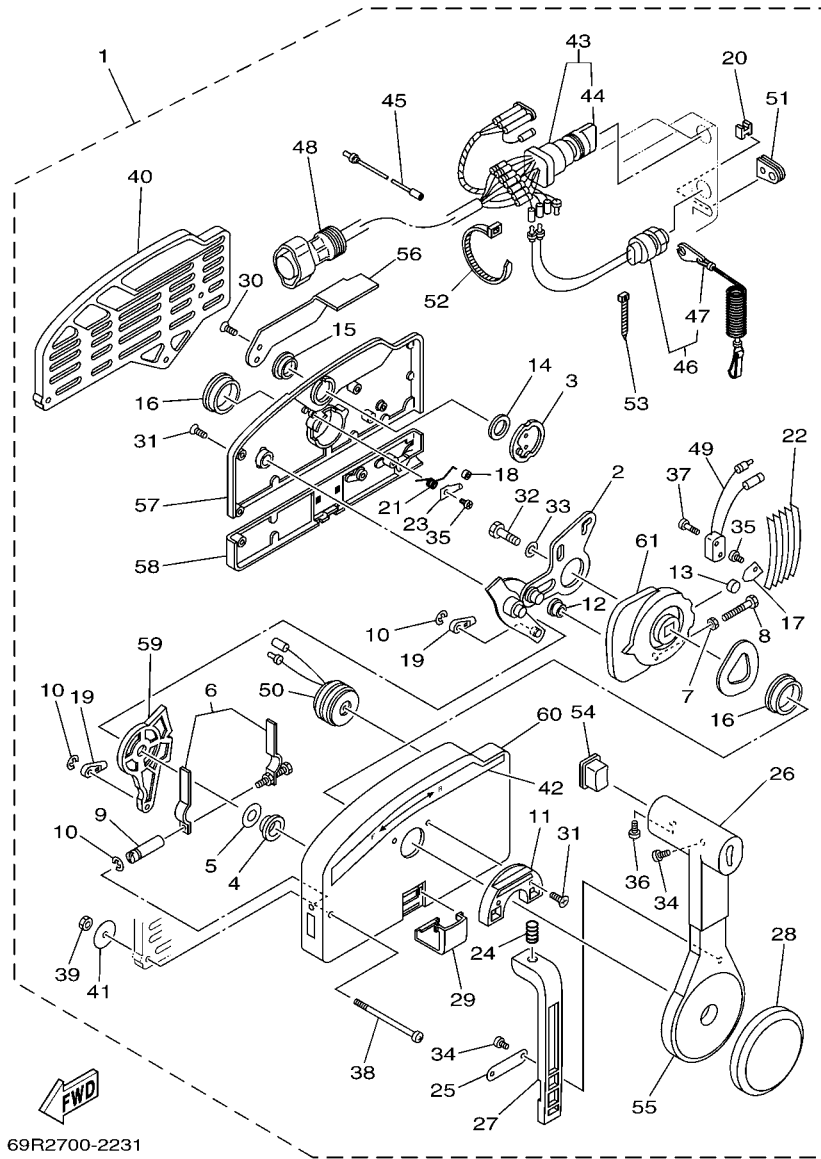


68U3100-C240

FIG. 25 FUEL TANK

DEPOSITO DE COMBUSTIBLE

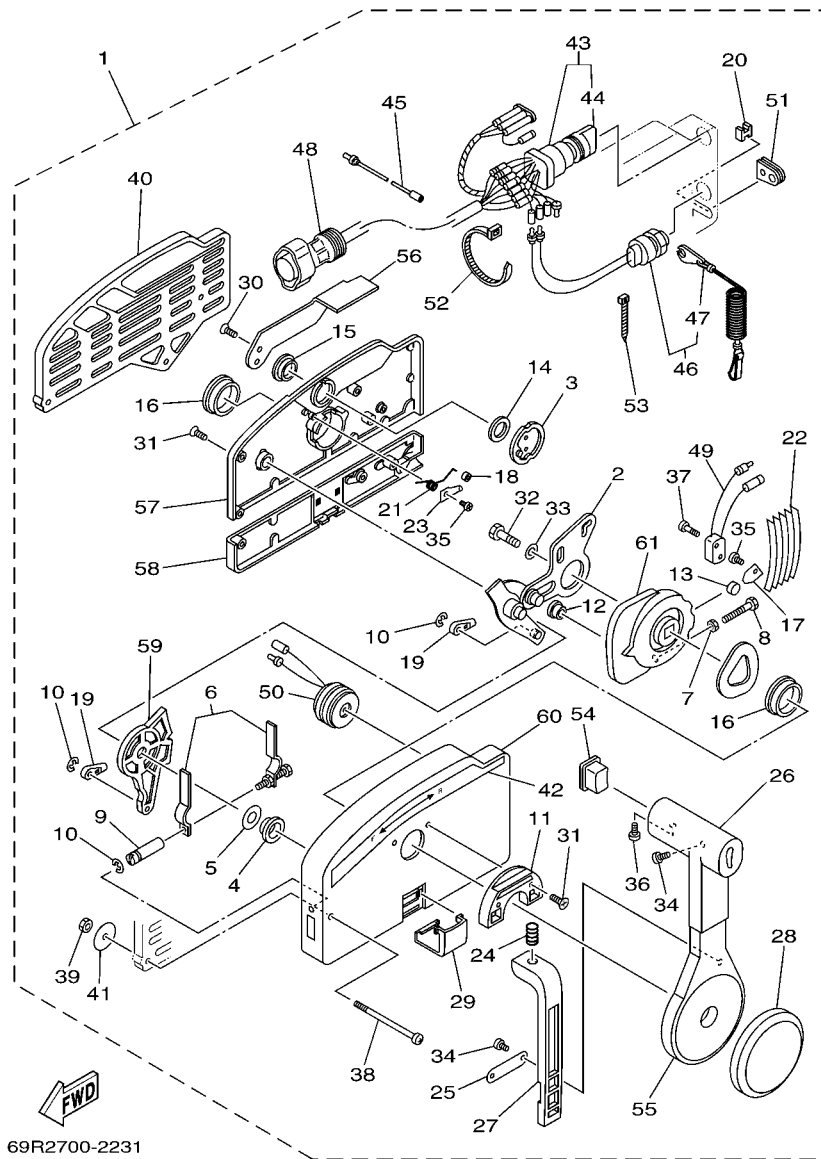
| REF. NO. | PART NO. CODIGO Nº | DESCRIPTION DESCRIPCION | E40M | 40MH | E40W | 40WH | 40W | REMARKS OBSERVACIONES |
|----------|--------------------|---|------|------|------|------|-----|------------------------------------|
| 1 | 6YJ-24201-00 | FUEL TANK ASSY (24L) TANQUE DEL COMBUSTIBLE (24L) | 1 | 1 | 1 | 1 | 1 | AP AP |
| | 6YJ-24201-10 | FUEL TANK ASSY (24L) TANQUE DEL COMBUSTIBLE (24L) | | 1 | | 1 | | AP E40J-FOR CHN AP E40J-FOR CHN |
| 2 | 6YJ-24610-01 | .CAP ASSY .TAPA COMPLETA | 1 | 1 | 1 | 1 | 1 | |
| 3 | 6YJ-24260-00 | .FUEL METER ASSY .MEDIDOR DE COMBUSTIBLE COMPL. | 1 | 1 | 1 | 1 | 1 | |
| | 6Y1-24260-12 | .FUEL METER ASSY .MEDIDOR DE COMBUSTIBLE COMPL. | | 1 | | 1 | | E40J-FOR CHN E40J-FOR CHN |
| 4 | 90157-05M19 | .SCREW, PAN HEAD .TORNILLO CABEZA CONICA PLANA | 4 | 4 | 4 | 4 | 4 | |
| 5 | 6Y1-24329-00 | .SEAL .SELLO | 4 | 4 | 4 | 4 | 4 | |
| 6 | 6Y1-24268-00 | .GASKET, FUEL METER .EMPAQ MEDIDOR DE COMBUSTIBLE | 1 | 1 | 1 | 1 | 1 | |
| 7 | 6YJ-24167-00 | .STRAINER .COLADOR | 1 | 1 | 1 | 1 | 1 | |
| 8 | 61J-24306-04 | FUEL PIPE COMP. 1 TUBO COMBUST. COMPL 1 | 1 | 1 | 1 | 1 | 1 | AP AP |
| 9 | 90445-11M06 | .HOSE (L2050) .MANGUERA (L2050) | 1 | 1 | 1 | 1 | 1 | |
| 10 | 61J-24360-00 | .PRIMER PUMP ASSY .SOPORTE BOMBA | 1 | 1 | 1 | 1 | 1 | |
| 11 | 90445-11M05 | .HOSE (L850) .MANGUERA (L850) | 1 | 1 | 1 | 1 | 1 | |
| 12 | 650-24351-01 | .BAND 1 .ABRAZADERA 1 | 4 | 4 | 4 | 4 | 4 | |
| 13 | 6G1-24305-05 | .FUEL PIPE JOINT COMP. 2 .CONECTOR MANGUERA COMBUST. 2 | 1 | 1 | 1 | 1 | 1 | |
| 14 | 93210-08287 | ..O-RING ..ANILLO O | 1 | 1 | 1 | 1 | 1 | |
| 15 | 6Y1-24305-06 | .FUEL PIPE JOINT COMP. 2 .CONECTOR MANGUERA COMBUST. 2 | 1 | 1 | 1 | 1 | 1 | |
| 16 | 93210-08287 | ..O-RING ..ANILLO O | 1 | 1 | 1 | 1 | 1 | |



69R2700-2231

FIG. 27 REMOTE CONTROL ASSY CONTROL REMOTO COMPL

| REF. NO. | PART NO. CODIGO Nº | DESCRIPTION DESCRIPCION | E40M | 40MH | E40W | 40WH | 40W | REMARKS OBSERVACIONES |
|----------|--------------------|---|------|------|------|------|-----|--|
| 1 | 703-48230-15 | REMOTE CONTROL ASSY (7P) CONTROL REMOTO COMPL. (7P) | | | | | 1 | AP WITHOUT PT/T SW. AP WITHOUT PT/T SW. |
| 2 | 703-48261-11 | .ARM, THROTTLE .BRAZO ACELERADOR | | | | | 1 | |
| 3 | 703-48153-00 | .SHAFT, FREE ACCEL. .EJE | | | | | 1 | |
| 4 | 703-48235-00 | .BUSHING .BUJE | | | | | 1 | |
| 5 | 703-48268-00 | .SPACER .ESPACIADOR 3 | | | | | 1 | |
| 6 | 703-48264-00 | .FRICTION, THROTTLE .FRICCION DE ACELERADOR | | | | | 1 | |
| 7 | 95380-05600 | .NUT .TUERCA | | | | | 1 | |
| 8 | 97380-05025 | .BOLT .TORNILLO HEXAGONAL | | | | | 1 | |
| 9 | 703-48265-00 | .SHAFT, FRICTION .EJE FRICCION | | | | | 1 | |
| 10 | 93430-06024 | .CIRCLIP .SEGURO | | | | | 3 | |
| 11 | 703-48245-00 | .PLATE, LOCK .PLACA CERRADURA | | | | | 1 | |
| 12 | 703-48252-00 | .ROLLER, CAM .RODILLO LEVA | | | | | 1 | |
| 13 | 701-48248-00 | .ROLLER, FREE ACCEL. .RODILLO ACELERADOR LIBRE | | | | | 1 | |
| 14 | 703-48198-00 | .WASHER, WAVE .RONDANA ONDULADA 3 | | | | | 1 | |
| 15 | 703-48243-00 | .BUSHING .BUJE 3 | | | | | 1 | |
| 16 | 703-48236-00 | .BUSHING 1 .BUJE | | | | | 2 | |
| 17 | 703-48189-00 | .RETAINER .RETENEDOR | | | | | 1 | |
| 18 | 703-48234-00 | .ROLLER, DETENT .RODILLO | | | | | 1 | |
| 19 | 703-48345-01 | .CABLE END, REMOTE CONTROL 2 .TERMINAL CABLE DE CONTROL REMO | | | | | 2 | |
| 20 | 703-48358-00 | .ANCHOR, CABLE .ABRAZADERA CABLE | | | | | 1 | |
| 21 | 703-48244-00 | .SPRING, FREE ACCEL. .RESORTE ACELERADOR LIBRE | | | | | 1 | |
| 22 | 703-48238-00 | .SPRING, DETENT .RESORTE | | | | | 5 | |
| 23 | 703-48246-00 | .SPACER .ESPACIADOR | | | | | 1 | |
| 24 | 703-48227-00 | .SPRING, NEUTRAL LOCK .RESORTE DE SEGURO | | | | | 1 | |
| 25 | 703-48226-00 | .PLATE, STOPPER .PLACA RETEN | | | | | 1 | |
| 26 | 703-48222-00 | .GRIP, CONTROL LEVER .MANGO DE PALANCA CONTROL | | | | | 1 | SINGLE SINGLE |
| 27 | 703-48223-00 | .LOCK, NEUTRAL .CERRADURA NEUTRO | | | | | 1 | |



69R2700-2231

FIG. 27 REMOTE CONTROL ASSY CONTROL REMOTO COMPL

| REF. NO. | PART NO. CODIGO Nº | DESCRIPTION DESCRIPCION | E40M | 40MH | E40W | 40WH | 40W | REMARKS OBSERVACIONES |
|----------|--------------------|---|------|------|------|------|-----|--------------------------------------|
| 28 | 703-48225-00 | .COVER .CUBIERTA | | | | | 1 | |
| 29 | 703-48219-00 | .COVER, LEAD .CUBIERTA | | | | | 1 | |
| 30 | 703-48281-00 | .SCREW .TORNILLO 1 | | | | | 2 | |
| 31 | 703-48282-00 | .SCREW .TORNILLO 2 | | | | | 7 | |
| 32 | 97380-08030 | .BOLT .TORNILLO HEXAGONAL | | | | | 1 | |
| 33 | 92990-08600 | .WASHER, PLATE .ARANDELA PLANA | | | | | 1 | |
| 34 | 98580-04010 | .SCREW, PAN HEAD .TORNILLO DE CABEZA CRUZADA | | | | | 3 | |
| 35 | 98580-04006 | .SCREW, PAN HEAD .TORNILLO DE CABEZA CRUZADA | | | | | 2 | |
| 36 | 98580-05010 | .SCREW, PAN HEAD .TORNILLO DE CABEZA CRUZADA | | | | | 1 | |
| 37 | 98580-03015 | .SCREW, PAN HEAD .TORNILLO DE CABEZA CRUZADA | | | | | 2 | |
| 38 | 703-48291-10 | .SCREW (M6) .TORNILLO (M6) | | | | | 3 | |
| 39 | 95380-06600 | .NUT, HEXAGON .TUERCA | | | | | 3 | |
| 40 | 703-48293-10 | .SPACER, REMOTE CONTROL .ESPACIADOR | | | | | 1 | SINGLE SINGLE |
| 41 | 701-48287-00 | .WASHER .ARANDELA | | | | | 3 | |
| 42 | 703-48215-00 | .GRAPHIC .CALCOMANIA 1 | | | | | 1 | |
| 43 | 703-82510-33 | .MAIN SWITCH ASSY .CONJUNTO DE LLAVE IGNICION | | | | | 1 | |
| 44 | 703-82577-00 | ..CAP, KEY ..TAPA | | | | | 1 | |
| 45 | 703-82531-00 | .WIRE, LEAD (L70) .CABLE CONDUCTOR (L70) | | | | | 1 | |
| 46 | 688-82575-01 | .ENGINE STOP SWITCH ASSY .INTERRUPTOR DE PARADA COMPL | | | | | 1 | |
| 47 | 682-82556-00 | ..LANYARD, STOP SWITCH ..RETENER | | | | | 1 | |
| 48 | 688-82586-21 | .EXTENSION, WIRE HARNESS (4.9M) .EXTENSION, ARNES DE CABLES (4.9M) | | | | | 1 | (7P) (7P) |
| 49 | 703-82540-00 | .NEUTRAL SWITCH ASSY .INTERRUPTOR NEUTRAL COMPL | | | | | 1 | |
| 50 | 703-83383-02 | .BUZZER .ZUMBADOR | | | | | 1 | |
| 51 | 703-48284-00 | .GROMMET .TAPON | | | | | 1 | |
| 52 | 703-82591-00 | .BAND .BANDA | | | | | 1 | |
| 53 | 703-82592-00 | .BAND .BANDA | | | | | 1 | |
| 54 | 703-48224-00 | .COVER, CONTROL LEVER .CUBIERTA DE PALANCA CONTROL | | | | | 1 | WITHOUT PT/T SW. WITHOUT PT/T SW. |

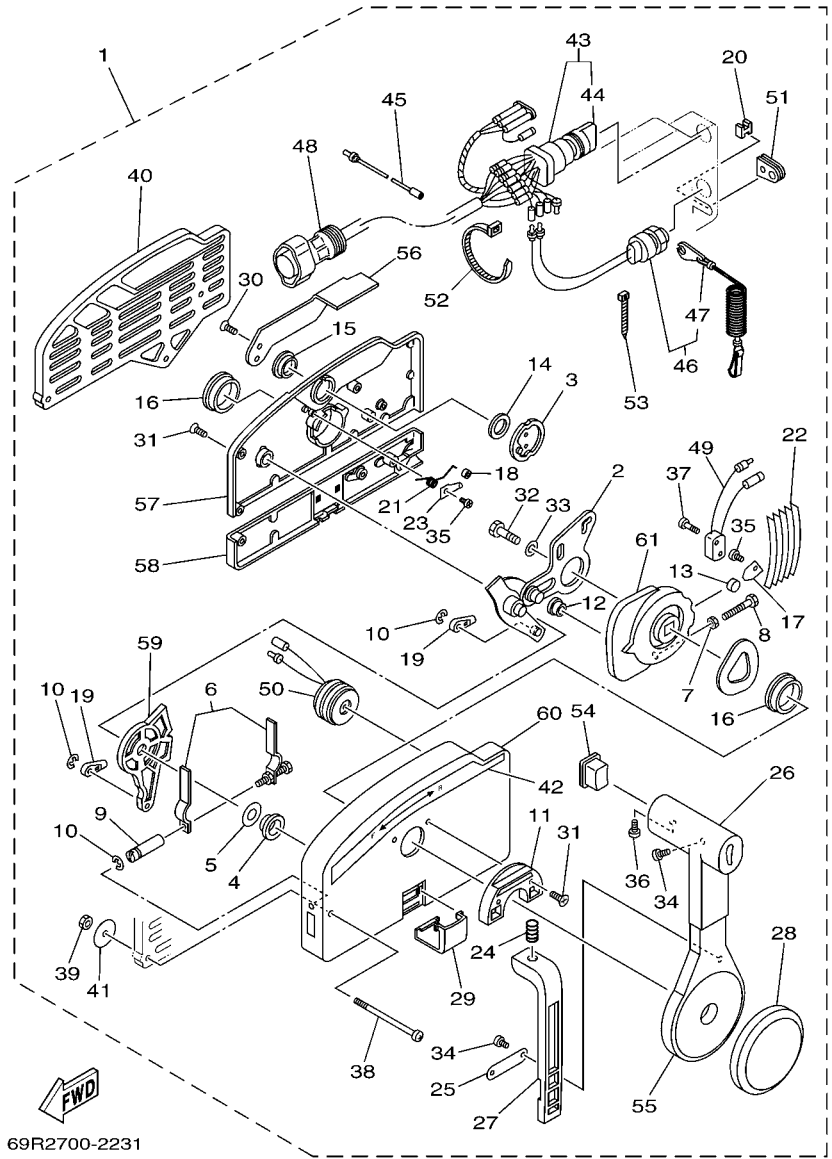


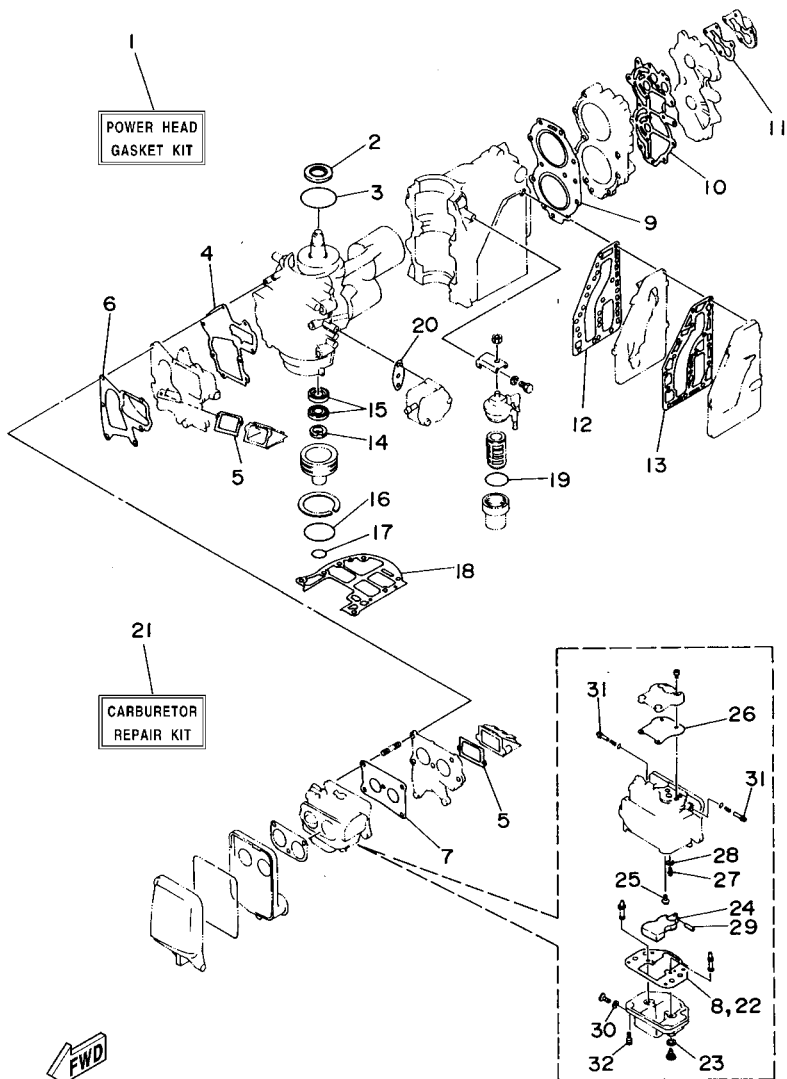
FIG. 27 REMOTE CONTROL ASSY CONTROL REMOTO COMPL

| REF. NO. | PART NO. CODIGO Nº | DESCRIPTION DESCRIPCION | E40M | 40MH | E40W | 40WH | 40W | REMARKS OBSERVACIONES |
|----------|--------------------|-------------------------------------|------|------|------|------|-----|-----------------------|
| 55 | 703-48221-00 | .LEVER, CONTROL .PALANCA CONTROL | | | | | 1 | |
| 56 | 703-48152-00 | .KNOB, FREE ACCEL. .PERILLA | | | | | 1 | |
| 57 | 703-48212-00 | .BACK PLATE 1 .PLACA TRASERA 1 | | | | | 1 | |
| 58 | 703-48213-00 | .BACK PLATE 2 .PLACA TRASERA 2 | | | | | 1 | |
| 59 | 703-48271-00 | .ARM, SHIFT .BRAZO CAMBIADOR | | | | | 1 | |
| 60 | 703-48211-01 | .HOUSING,1 .CAJA | | | | | 1 | |
| 61 | 703-48232-00 | .GEAR .ENGRANAJE 1 | | | | | 1 | |

FIG. 28 REPAIR KIT 1

ESTUCHE REPARATION 1

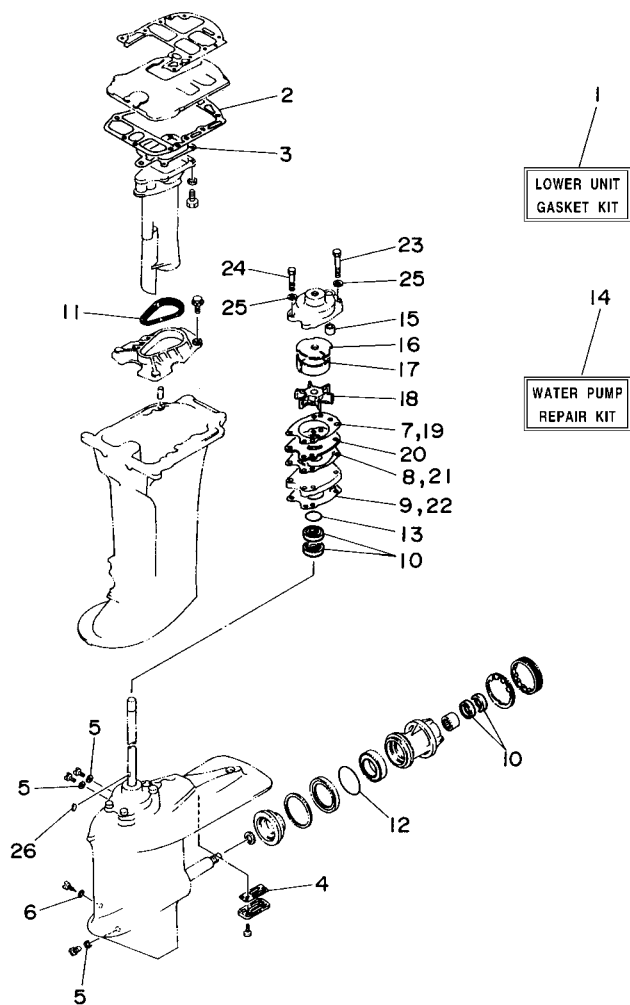
| REF. NO. | PART NO. CODIGO Nº | DESCRIPTION DESCRIPCION | E40M | 40MH | E40W | 40WH | 40W | REMARKS OBSERVACIONES |
|----------|--------------------|--|------|------|------|------|-----|-----------------------|
| 1 | 6F6-W0001-02 | POWER HEAD GASKET KIT JUEGO DE EMPAQUE | 1 | 1 | 1 | 1 | 1 | |
| 2 | 93102-35M18 | .OIL SEAL .SELLO ACEITE | 1 | 1 | 1 | 1 | 1 | |
| 3 | 93210-75M51 | .O-RING .ANILLO O | 1 | 1 | 1 | 1 | 1 | |
| 4 | 6F5-13646-A2 | .GASKET, MANIFOLD 2 .EMPAQ. DE MULTIPLE 2 | 1 | 1 | 1 | 1 | 1 | |
| 5 | 6F5-13621-A1 | .GASKET, VALVE SEAT .JUNTA, DE VALV.DE EMPAQUE | 2 | 2 | 2 | 2 | 2 | |
| 6 | 6F5-13645-A1 | .GASKET, MANIFOLD 1 .EMPAQUE | 1 | 1 | 1 | 1 | 1 | |
| 7 | 6F5-14198-A1 | .GASKET .EMPAQUE | 1 | 1 | 1 | 1 | 1 | |
| 8 | 6F5-14384-00 | .GASKET, FLOAT CHAMBER .EMPAQUE DE CAMARA DE BOIA | 1 | 1 | 1 | 1 | 1 | |
| 9 | 6F5-11181-A1 | .GASKET, CYLINDER HEAD 1 .JUNTA, DE CULATA 1 | 1 | 1 | 1 | 1 | 1 | |
| 10 | 6F6-11193-A1 | .GASKET, HEAD COVER 1 .EMPAQUE | 1 | 1 | 1 | 1 | 1 | |
| 11 | 6E9-12414-A1 | .GASKET, COVER .EMPAQUE | 1 | 1 | 1 | 1 | 1 | |
| 12 | 6F5-41112-A0 | .GASKET, EXHAUST INNER COVER .EMPAQUE | 1 | 1 | 1 | 1 | 1 | |
| 13 | 6F5-41114-A0 | .GASKET, EXHAUST OUTER COVER .EMPAQUE | 1 | 1 | 1 | 1 | 1 | |
| 14 | 93104-16M01 | .OIL SEAL .SELLO ACEITE | 1 | 1 | 1 | 1 | 1 | |
| 15 | 93101-30M33 | .OIL SEAL .SELLO ACEITE | 2 | 2 | 2 | 2 | 2 | |
| 16 | 93210-65M50 | .O-RING .ANILLO O | 1 | 1 | 1 | 1 | 1 | |
| 17 | 93210-22M02 | .O-RING .ANILLO O | 1 | 1 | 1 | 1 | 1 | |
| 18 | 6F5-45113-A0 | .GASKET, UPPER CASING .EMPAQUE | 1 | 1 | 1 | 1 | 1 | |
| 19 | 93210-32738 | .O-RING .ANILLO O | 1 | 1 | 1 | 1 | 1 | |
| 20 | 650-24431-A0 | .GASKET, FUEL PUMP 1 .EMPAQUE BOMBA COMBUST 1 | 1 | 1 | 1 | 1 | 1 | |
| 21 | 6F6-W0093-00 | CARBURETOR REPAIR KIT KIT REPARACION CARBURADOR | 1 | 1 | 1 | 1 | 1 | |
| 22 | 6F5-14384-00 | .GASKET, FLOAT CHAMBER .EMPAQUE DE CAMARA DE BOIA | 1 | 1 | 1 | 1 | 1 | |
| 23 | 1J2-14398-00 | .GASKET .EMPAQUE | 2 | 2 | 2 | 2 | 2 | |
| 24 | 6F6-14385-00 | .FLOAT .BOIA | 1 | 1 | 1 | 1 | 1 | |
| 25 | 98980-04006 | .SCREW, BIND .TORNILLO DE LIGAR | 1 | 1 | 1 | 1 | 1 | |
| 26 | 6F5-14398-00 | .GASKET .EMPAQUE | 1 | 1 | 1 | 1 | 1 | |
| 27 | 6F5-14390-21 | .NEEDLE VALVE ASSY .VALVULA DE AGUJA COMPLETA | 1 | 1 | 1 | 1 | 1 | |



6J40200-4290

FIG. 29 REPAIR KIT 2

ESTUCHE REPARATION 2

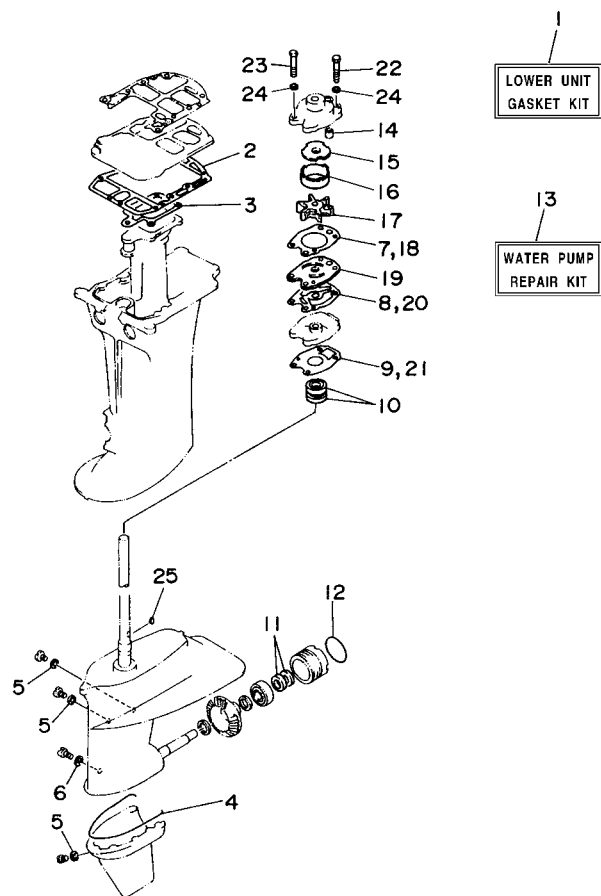


FWD
6J46200-F300

| REF. NO. | PART NO. CODIGO Nº | DESCRIPTION DESCRIPCION | E40M | 40MH | E40W | 40WH | 40W | REMARKS OBSERVACIONES |
|----------|--------------------|---|------|------|------|------|-----|-----------------------|
| 1 | 6H9-W0001-22 | LOWER UNIT GASKET KIT JUEGO DE JUNTA UNIDAD INFERIOR | | 1 | | 1 | 1 | E40J E40J |
| 2 | 676-45114-A1 | .GASKET, UPPER CASING .EMPAQUE | | 1 | | 1 | 1 | |
| 3 | 676-41133-A1 | .GASKET, EXHAUST MANIFOLD 1 .EMPAQUE ESCAPE MULTIPLE | | 1 | | 1 | 1 | |
| 4 | 679-45315-A1 | .PACKING, LOWER CASING .EMPAQUE | | 1 | | 1 | 1 | |
| 5 | 90430-08020 | .GASKET .JUNTA | | 3 | | 3 | 3 | |
| 6 | 90430-06M03 | .GASKET .JUNTA | | 1 | | 1 | 1 | |
| 7 | 676-44315-A1 | .GASKET, WATER PUMP .EMPAQUE | | 1 | | 1 | 1 | |
| 8 | 676-44324-A1 | .GASKET, CARTRIDGE .EMPAQUE | | 1 | | 1 | 1 | |
| 9 | 679-44316-A1 | .GASKET, WATER PUMP .EMPAQUE | | 1 | | 1 | 1 | |
| 10 | 93101-22M00 | .OIL SEAL .SELLO ACEITE | | 4 | | 4 | 4 | |
| 11 | 676-45127-00 | .SEAL .SELLO DE GOMA | | 1 | | 1 | 1 | |
| 12 | 93210-66M98 | .O-RING .ANILLO O | | 1 | | 1 | 1 | |
| 13 | 93210-41042 | .O-RING .ANILLO O | | 1 | | 1 | 1 | |
| 14 | 6J4-W0078-00 | WATER PUMP REPAIR KIT ESTUCHE REPARACION BOMBA AGUA | | 1 | | 1 | 1 | E40J E40J |
| 15 | 663-44366-00 | .DAMPER, WATER SEAL .GOMA DEL SELLO DE AGUA | | 1 | | 1 | 1 | |
| 16 | 676-44321-40 | .INNER PLATE, CARTRIDGE .PLACA INTERIOR CARTUCHO | | 1 | | 1 | 1 | |
| 17 | 676-44322-40 | .INSERT, CARTRIDGE .CARTUCHO | | 1 | | 1 | 1 | |
| 18 | 6F5-44352-00 | .IMPELLER .IMPULSOR | | 1 | | 1 | 1 | |
| 19 | 676-44315-A1 | .GASKET, WATER PUMP .EMPAQUE | | 1 | | 1 | 1 | |
| 20 | 676-44323-40 | .OUTER PLATE, CARTRIDGE .PLACA EXTERIOR DEL CARTUCHO | | 1 | | 1 | 1 | |
| 21 | 676-44324-A1 | .GASKET, CARTRIDGE .EMPAQUE | | 1 | | 1 | 1 | |
| 22 | 679-44316-A1 | .GASKET, WATER PUMP .EMPAQUE | | 1 | | 1 | 1 | |
| 23 | 97095-08055 | .BOLT .PERNO | | 2 | | 2 | 2 | |
| 24 | 97095-08045 | .BOLT .PERNO | | 2 | | 2 | 2 | |
| 25 | 92995-08600 | .WASHER .ARANDELA | | 4 | | 4 | 4 | |
| 26 | 90280-04M00 | .KEY, WOODRUFF .CUNA WOODRUFF | | 1 | | 1 | 1 | |

FIG. 30 REPAIR KIT 3

ESTUCHE REPARACION 3



6J46200-F310

| REF. NO. | PART NO. CODIGO Nº | DESCRIPTION DESCRIPCION | E40M | 40MH | E40W | 40WH | 40W | REMARKS OBSERVACIONES |
|----------|--------------------|---|------|------|------|------|-----|-----------------------|
| 1 | 6F5-W0001-C0 | LOWER UNIT GASKET KIT JUEGO DE JUNTA UNIDAD INFERIOR | 1 | | 1 | | | E40G E40G |
| 2 | 676-45114-A1 | .GASKET, UPPER CASING .EMPAQUE | 1 | | 1 | | | |
| 3 | 676-41133-A1 | .GASKET, EXHAUST MANIFOLD 1 .EMPAQUE ESCAPE MULTIPLE | 1 | | 1 | | | |
| 4 | 676-45314-00 | .SEAL, LOWER CASING .SELLO DE FUNDA INFERIOR | 1 | | 1 | | | |
| 5 | 90430-08020 | .GASKET .JUNTA | 3 | | 3 | | | |
| 6 | 90430-06M03 | .GASKET .JUNTA | 1 | | 1 | | | |
| 7 | 676-44315-A1 | .GASKET, WATER PUMP .EMPAQUE | 1 | | 1 | | | |
| 8 | 676-44324-A1 | .GASKET, CARTRIDGE .EMPAQUE | 1 | | 1 | | | |
| 9 | 676-44316-A1 | .GASKET, WATER PUMP .EMPAQUE | 1 | | 1 | | | |
| 10 | 93101-22M00 | .OIL SEAL .SELLO ACEITE | 2 | | 2 | | | |
| 11 | 93101-20048 | .OIL SEAL .SELLO ACEITE | 2 | | 2 | | | |
| 12 | 93210-57M00 | .O-RING .ANILLO O | 1 | | 1 | | | |
| 13 | 6F6-W0078-00 | WATER PUMP REPAIR KIT ESTUCHE REPARACION BOMBA AGUA | 1 | | 1 | | | E40G E40G |
| 14 | 663-44366-00 | .DAMPER, WATER SEAL .GOMA DEL SELLO DE AGUA | 1 | | 1 | | | |
| 15 | 676-44321-40 | .INNER PLATE, CARTRIDGE .PLACA INTERIOR CARTUCHO | 1 | | 1 | | | |
| 16 | 676-44322-40 | .INSERT, CARTRIDGE .CARTUCHO | 1 | | 1 | | | |
| 17 | 6F5-44352-00 | .IMPELLER .IMPULSOR | 1 | | 1 | | | |
| 18 | 676-44315-A1 | .GASKET, WATER PUMP .EMPAQUE | 1 | | 1 | | | |
| 19 | 676-44323-40 | .OUTER PLATE, CARTRIDGE .PLACA EXTERIOR DEL CARTUCHO | 1 | | 1 | | | |
| 20 | 676-44324-A1 | .GASKET, CARTRIDGE .EMPAQUE | 1 | | 1 | | | |
| 21 | 676-44316-A1 | .GASKET, WATER PUMP .EMPAQUE | 1 | | 1 | | | |
| 22 | 97095-08055 | .BOLT .PERNO | 2 | | 2 | | | |
| 23 | 97095-08045 | .BOLT .PERNO | 2 | | 2 | | | |
| 24 | 92995-08600 | .WASHER .ARANDELA | 4 | | 4 | | | |
| 25 | 90280-04M00 | .KEY, WOODRUFF .CUNA WOODRUFF | 1 | | 1 | | | |

NUMERICAL INDEX
INDICE NUMERICO

| PART NO. CODIGO N° | REF. NO. | PART NO. CODIGO N° | REF. NO. | PART NO. CODIGO N° | REF. NO. | PART NO. CODIGO N° | REF. NO. | PART NO. CODIGO N° | REF. NO. | PART NO. CODIGO N° | REF. NO. |
|-----------------------|-------------|-----------------------|-------------|-----------------------|-------------|-----------------------|-------------|-----------------------|-------------|-----------------------|-------------|
| 6F6-11111-00-1S | 2 - 22 | 6J4-14301-05 | 5 - 1 | 6F5-15723-01 | 7 - 22 | 648-24435-02 | 6 - 21 | 650-42152-00-94 | 14 - 15 | 676-43373-00 | 17 - 17 |
| 6F5-11119-00 | 2 - 20 | 6F6-14301-06 | 5 - 1 | 6F5-15726-01 | 7 - 11 | 61N-24521-00 | 6 - 8 | 676-42159-00 | 14 - 12 | 676-43613-00 | 18 - 20 |
| 6F5-11181-A1 | 2 - 23 | 650-14321-01 | 5 - 18 | 6F5-15734-01 | 7 - 7 | 61N-24560-00 | 6 - 6 | 6F6-42177-A0 | 14 - 4 | 676-43614-00 | 18 - 18 |
| | 28 - 9 | 6F5-14323-01 | 5 - 23 | 6F5-15739-00 | 7 - 20 | 61N-24563-00 | 6 - 7 | 676-42511-03-4D | 17 - 26 | 676-43615-00 | 18 - 19 |
| 6F6-11191-00-1S | 2 - 25 | | 28 - 31 | 6F5-15741-01 | 7 - 4 | 648-24566-02 | 6 - 10 | 676-42521-00-94 | 17 - 32 | 676-43616-00 | 18 - 16 |
| 6F6-11193-A1 | 2 - 26 | 6A0-14325-00 | 6 - 25 | 6F5-15746-00 | 7 - 39 | 6YJ-24610-01 | 25 - 2 | 648-42528-00 | 17 - 15 | 6F5-43627-80 | 18 - 5 |
| | 28 - 10 | 647-14334-00 | 5 - 19 | 6F5-15747-00 | 7 - 38 | 6F5-26311-00 | 14 - 21 | 676-42591-00 | 17 - 73 | 6F5-43628-80 | 18 - 6 |
| 676-11325-00 | 2 - 18 | 6F5-14334-01 | 5 - 24 | 656-15748-00 | 7 - 43 | 676-26326-00 | 13 - 14 | 6F6-42610-10-4D | 1 - 1 | 6F5-43630-80 | 18 - 12 |
| 650-11370-01 | 2 - 4 | 6F6-14341-00 | 5 - 4 | 6F5-15752-00 | 7 - 16 | 676-26391-00 | 14 - 22 | 6J4-42610-J0-4D | 1 - 1 | 676-43631-00 | 18 - 13 |
| | 4 - 5 | 647-14342-45 | 5 - 12 | 6F5-15753-00 | 7 - 17 | 676-26392-00 | 14 - 23 | 6F6-42612-00 | 1 - 16 | 676-43643-00 | 18 - 30 |
| 6F6-11370-01 | 4 - 4 | 677-14343-75 | 5 - 6 | 6F5-15754-00 | 7 - 9 | 626-28193-01-94 | 6 - 34 | 6F6-42613-00-4D | 1 - 7 | 6F5-44111-00 | 15 - 11 |
| 6F6-11400-02 | 3 - 1 | 6F6-14381-00 | 5 - 3 | 689-15755-01 | 7 - 14 | 6F5-41111-01-1S | 2 - 41 | 6F5-42613-01-4D | 1 - 7 | 6F5-44111-50 | 16 - 1 |
| 6F5-11412-11 | 3 - 2 | 6F6-14383-00 | 5 - 13 | 6A0-15758-01-94 | 7 - 27 | 6F5-41112-A0 | 2 - 40 | 6F5-42615-00 | 1 - 11 | 6F5-44121-00 | 15 - 17 |
| 6F5-11422-11 | 3 - 3 | 6F5-14383-10 | 5 - 21 | 6A0-15761-00 | 1 - 2 | | 28 - 12 | 6E9-42651-01 | 1 - 3 | 6F5-44125-00 | 15 - 12 |
| 6F5-11432-11 | 3 - 4 | 6F5-14384-00 | 5 - 2 | 6A0-15762-01 | 7 - 30 | 6F5-41113-01-1S | 2 - 38 | 6F5-42652-01 | 1 - 5 | 676-44143-00 | 15 - 26 |
| 6F5-11442-11 | 3 - 5 | | 28 - 8 | 6F5-15764-00 | 7 - 15 | 6F5-41114-A0 | 2 - 42 | 69P-42677-H0 | 1 - 14 | 648-44146-00 | 15 - 27 |
| 6F5-11515-00 | 3 - 9 | | 28 - 22 | 6F5-15768-00 | 7 - 19 | | 28 - 13 | 6F6-42678-00 | 1 - 13 | 650-44147-00 | 21 - 64 |
| 6F5-11610-00 | 3 - 16 | 6F6-14385-00 | 5 - 7 | 6F5-15770-00 | 7 - 40 | 6F5-41116-00-5B | 19 - 6 | 6J4-42678-H0 | 1 - 13 | | 23 - 63 |
| 6F5-11610-10 | 3 - 16 | | 28 - 24 | 6F5-15771-00-94 | 7 - 32 | | 20 - 6 | 6F6-42711-03-4D | 13 - 1 | 676-44150-00 | 23 - 60 |
| 6F5-11610-20 | 3 - 16 | 6E5-14386-01 | 5 - 9 | 6F5-15772-00-94 | 7 - 35 | 676-41131-01-5B | 19 - 13 | 6F5-42715-00 | 15 - 22 | 679-44150-00 | 21 - 60 |
| 6F6-11631-00-95 | 3 - 15 | | 28 - 29 | 6F5-15773-00 | 7 - 41 | | 20 - 13 | 6F5-42716-00 | 13 - 11 | 676-44150-10 | 23 - 60 |
| 6F5-11633-00 | 3 - 17 | 6F5-14390-21 | 5 - 10 | 6F5-15774-00 | 7 - 42 | 676-41133-A1 | 19 - 14 | 6F5-42724-00 | 13 - 12 | 679-44150-10 | 21 - 60 |
| 663-11634-00 | 3 - 18 | | 28 - 27 | 6F5-15779-02 | 7 - 21 | | 20 - 14 | 676-42724-40 | 13 - 14 | 6A0-44150-20 | 21 - 60 |
| 6F6-11635-00 | 3 - 15 | 647-14395-60 | 4 - 24 | 6A0-15789-00 | 7 - 31 | | 29 - 3 | 6F5-42724-40 | 13 - 12 | 679-44152-00 | 21 - 61 |
| 6F6-11636-00 | 3 - 15 | 5Y1-14397-00 | 5 - 25 | 6F5-15791-00 | 7 - 18 | | 30 - 3 | 6F5-42725-50 | 16 - 10 | 6F5-44167-00 | 15 - 23 |
| 6F5-11651-00 | 3 - 11 | 1J2-14398-00 | 5 - 5 | 6YJ-24167-00 | 25 - 7 | 6F5-41137-02-94 | 19 - 8 | 676-42726-00 | 13 - 22 | 6F5-44173-00 | 15 - 21 |
| 6F5-11681-00 | 3 - 12 | | 28 - 23 | 6YJ-24201-00 | 25 - 1 | | 20 - 8 | 6F5-42727-00 | 13 - 13 | 676-44311-00 | 21 - 18 |
| 6F5-12411-03 | 2 - 33 | 6F5-14398-00 | 5 - 14 | 6YJ-24201-10 | 25 - 1 | 6F5-41141-00 | 19 - 9 | 6F5-42738-01-94 | 13 - 8 | | 23 - 23 |
| 6E5-12412-00 | 2 - 34 | | 28 - 26 | 6YJ-24260-00 | 25 - 3 | | 20 - 9 | 6F5-42741-11 | 13 - 24 | 676-44315-A1 | 21 - 21 |
| 6E9-12413-00-1S | 2 - 35 | 6F6-14398-00 | 5 - 22 | 6Y1-24260-12 | 25 - 3 | 6F5-41211-00 | 15 - 9 | 664-42791-00 | 13 - 28 | | 23 - 26 |
| 6E9-12414-A1 | 2 - 36 | | 28 - 30 | 6Y1-24268-00 | 25 - 6 | 6E9-41237-00 | 15 - 10 | 664-42791-10 | 13 - 28 | | 29 - 7 |
| | 28 - 11 | 6F5-14417-00 | 4 - 28 | 6G1-24304-02 | 6 - 1 | 6F5-41237-00 | 16 - 4 | 6AH-42794-40 | 13 - 29 | | 29 - 19 |
| 663-12416-00 | 2 - 28 | 6F5-14418-00 | 4 - 29 | 6G1-24305-05 | 25 - 13 | 6F5-41252-00 | 4 - 39 | 6F5-42815-01-4D | 13 - 3 | | 30 - 7 |
| 677-13437-0B | 1 - 15 | 6F5-14476-00 | 4 - 32 | 6Y1-24305-06 | 25 - 15 | 6F6-41256-00 | 4 - 42 | 6F5-42816-00 | 13 - 5 | | 30 - 18 |
| 6F6-13610-00 | 4 - 1 | 6F5-14483-00 | 4 - 38 | 61J-24306-04 | 25 - 8 | 661-41262-02 | 4 - 43 | 676-43111-04-4D | 17 - 1 | 676-44316-A1 | 23 - 29 |
| 6F5-13621-A1 | 4 - 9 | 624-14485-00 | 2 - 3 | 6Y1-24329-00 | 25 - 5 | | 7 - 50 | 676-43112-04-4D | 17 - 7 | | 30 - 9 |
| | 4 - 20 | | 4 - 22 | 650-24351-01 | 25 - 12 | 682-41271-00 | 4 - 40 | 6J8-43113-01 | 17 - 23 | | 30 - 21 |
| | 28 - 5 | | 4 - 33 | 61J-24360-00 | 25 - 10 | 689-41273-00 | 4 - 41 | 6F5-43114-00 | 17 - 2 | 679-44316-A1 | 21 - 25 |
| 6F6-13641-00-1S | 4 - 3 | 6F6-14488-00 | 7 - 51 | 650-24378-00 | 2 - 39 | 6F5-41283-00 | 15 - 3 | 6F5-43116-00 | 17 - 3 | | 29 - 9 |
| 6F6-13643-01-1S | 4 - 17 | 6F6-14488-10 | 7 - 51 | 692-24410-00 | 6 - 15 | 6F5-41638-00 | 15 - 2 | 663-43118-01-4D | 17 - 4 | | 29 - 22 |
| 6F5-13645-A1 | 4 - 21 | 6F5-14497-00 | 15 - 1 | 663-24411-00 | 6 - 20 | 6F5-41662-00 | 15 - 14 | 6J8-43131-01 | 17 - 20 | 676-44321-40 | 21 - 20 |
| | 28 - 6 | 6F6-15100-02-1S | 2 - 2 | 692-24411-00 | 6 - 17 | 676-42111-03-4D | 14 - 2 | 676-43132-00 | 18 - 2 | | 23 - 24 |
| 6F5-13646-A2 | 4 - 6 | 6F5-15396-01-5B | 2 - 8 | 6A0-24412-02 | 6 - 26 | 676-42115-00 | 14 - 11 | 6G5-43145-01 | 17 - 25 | | 29 - 16 |
| | 28 - 4 | 6F5-15711-02 | 7 - 2 | 6A0-24413-00 | 6 - 16 | 664-42119-00 | 14 - 3 | 676-43160-02 | 18 - 26 | | 30 - 15 |
| 367-14195-00 | 5 - 11 | 6F5-15713-00 | 7 - 5 | 6A0-24421-01 | 6 - 24 | 6F5-42125-00 | 14 - 34 | 676-43165-00 | 18 - 27 | 676-44322-40 | 21 - 19 |
| | 28 - 28 | 6F5-15714-03 | 7 - 3 | 650-24431-A0 | 6 - 27 | 6F5-42126-00 | 14 - 33 | 676-43191-00 | 18 - 8 | | 23 - 25 |
| 6F5-14198-A1 | 4 - 25 | 6F5-15715-00 | 7 - 6 | | 28 - 20 | 6F6-42137-10 | 14 - 5 | 676-43311-10-4D | 17 - 12 | | 29 - 17 |
| | 28 - 7 | 6F5-15716-01 | 7 - 8 | 648-24434-01 | 6 - 18 | 676-42151-00-94 | 14 - 17 | 663-43318-00 | 18 - 17 | | 30 - 16 |

NUMERICAL INDEX
INDICE NUMERICO

| PART NO. CODIGO N° | REF. NO. | PART NO. CODIGO N° | REF. NO. | PART NO. CODIGO N° | REF. NO. | PART NO. CODIGO N° | REF. NO. | PART NO. CODIGO N° | REF. NO. | PART NO. CODIGO N° | REF. NO. |
|-----------------------|-------------|-----------------------|-------------|-----------------------|-------------|-----------------------|-------------|-----------------------|-------------|-----------------------|-------------|
| 676-44323-40 | 21 - 26 | 676-45114-A1 | 19 - 10 | 679-45501-00 | 21 - 36 | 676-45587-20 | 23 - 41 | 703-48212-00 | 27 - 57 | 689-81813-10 | 12 - 15 |
| | 23 - 30 | | 20 - 10 | 676-45501-10 | 23 - 39 | 663-45587-30 | 21 - 9 | 703-48213-00 | 27 - 58 | 6J4-81820-01 | 12 - 24 |
| | 29 - 20 | | 29 - 2 | 679-45501-10 | 21 - 36 | 676-45587-30 | 23 - 41 | 703-48215-00 | 27 - 42 | 689-81820-11 | 12 - 16 |
| | 30 - 19 | | 30 - 2 | 6A0-45501-20 | 21 - 36 | 663-45587-40 | 21 - 9 | 703-48219-00 | 27 - 29 | 689-81826-10 | 12 - 17 |
| 676-44324-A1 | 21 - 27 | 663-45119-00 | 17 - 14 | 663-45533-00 | 23 - 5 | 663-45587-50 | 21 - 9 | 703-48221-00 | 27 - 55 | 6F5-81830-11 | 12 - 6 |
| | 23 - 31 | 676-45127-00 | 19 - 15 | 676-45536-00 | 23 - 7 | 663-45587-60 | 21 - 9 | 703-48222-00 | 27 - 26 | 689-81831-00 | 12 - 7 |
| | 29 - 8 | | 20 - 15 | 679-45536-00 | 21 - 8 | 6F6-45611-00 | 23 - 46 | 703-48223-00 | 27 - 27 | 689-81840-11 | 12 - 12 |
| | 29 - 21 | | 29 - 11 | 6H9-45551-00 | 21 - 37 | 679-45611-01 | 21 - 41 | 703-48224-00 | 27 - 54 | 6F5-81842-41 | 12 - 1 |
| | 30 - 8 | 676-45151-00-4D | 19 - 25 | 6F5-45551-01 | 23 - 40 | 6F6-45614-00 | 24 - 18 | 703-48225-00 | 27 - 28 | 689-81847-11 | 12 - 8 |
| | 30 - 20 | | 20 - 18 | 663-45552-00 | 21 - 38 | 676-45616-01 | 24 - 17 | 703-48226-00 | 27 - 25 | 689-81850-12 | 12 - 10 |
| 679-44341-00-94 | 21 - 28 | 676-45151-10-4D | 19 - 25 | 679-45560-00 | 21 - 40 | 663-45631-01 | 21 - 44 | 703-48227-00 | 27 - 24 | 689-81857-11 | 12 - 4 |
| 676-44341-01-94 | 23 - 32 | | 20 - 18 | 6F5-45560-01 | 23 - 43 | | 23 - 49 | 703-48230-15 | 26 - 1 | 6G1-81941-10 | 12 - 20 |
| 6F5-44352-00 | 21 - 23 | 6A0-45211-20-4D | 19 - 20 | 676-45567-00 | 23 - 44 | 663-45633-00 | 21 - 46 | | 27 - 1 | 6F5-81945-00 | 12 - 22 |
| | 23 - 27 | 6F5-45214-00 | 24 - 5 | 663-45567-01 | 21 - 11 | | 23 - 51 | 703-48232-00 | 27 - 61 | 6F5-81948-00 | 9 - 25 |
| | 29 - 18 | 688-45214-02 | 22 - 11 | 663-45567-10 | 21 - 11 | 663-45634-00 | 21 - 43 | 703-48234-00 | 27 - 18 | 6G1-81952-00 | 12 - 21 |
| | 30 - 17 | 676-45215-01 | 23 - 15 | 676-45567-10 | 23 - 44 | | 23 - 48 | 703-48235-00 | 27 - 4 | 6F5-81970-62 | 10 - 8 |
| 676-44361-00 | 22 - 2 | 688-45215-02 | 22 - 12 | 663-45567-20 | 21 - 11 | 676-45635-00 | 21 - 42 | 703-48236-00 | 27 - 16 | | 11 - 8 |
| | 24 - 2 | 676-45251-00 | 2 - 15 | 676-45567-20 | 23 - 44 | | 23 - 47 | 703-48238-00 | 27 - 22 | 6AH-81994-40 | 7 - 52 |
| 676-44361-10 | 22 - 2 | 6F5-45251-02 | 24 - 11 | 663-45567-30 | 21 - 11 | 663-45930-00-98 | 22 - 23 | 703-48243-00 | 27 - 15 | 6AH-81995-40 | 7 - 53 |
| | 24 - 2 | 6E0-45251-12 | 24 - 14 | 676-45567-30 | 23 - 44 | 663-45941-01-EL | 22 - 23 | 703-48244-00 | 27 - 21 | 6AG-81996-00 | 7 - 54 |
| 6A0-44361-20 | 22 - 2 | 6F5-45252-00 | 24 - 6 | 663-45567-40 | 21 - 11 | 676-45941-62-EL | 24 - 21 | 703-48245-00 | 27 - 11 | 6F5-82105-00 | 10 - 6 |
| 6H9-44362-00 | 22 - 8 | 6F5-45279-01 | 23 - 16 | 676-45567-40 | 23 - 44 | 69W-45943-00-EL | 22 - 23 | 703-48246-00 | 27 - 23 | | 11 - 6 |
| 663-44366-00 | 21 - 22 | 6F6-45300-02-4D | 23 - 1 | 663-45567-50 | 21 - 11 | 676-45943-62-EL | 24 - 21 | 701-48248-00 | 27 - 13 | 6F5-82117-00 | 10 - 5 |
| | 23 - 38 | 6J4-45300-02-4D | 21 - 1 | 676-45567-50 | 23 - 44 | 69W-45945-00-EL | 22 - 23 | 703-48252-00 | 27 - 12 | | 11 - 5 |
| | 29 - 15 | 6F6-45300-12-4D | 23 - 1 | 663-45567-60 | 21 - 11 | 676-45945-62-EL | 24 - 21 | 703-48261-11 | 27 - 2 | 61A-82119-00 | 9 - 28 |
| | 30 - 14 | 6H9-45300-12-4D | 21 - 1 | 6F5-45570-00 | 23 - 54 | 69W-45947-00-EL | 22 - 23 | 703-48264-00 | 27 - 6 | | 10 - 21 |
| 663-44367-00 | 22 - 1 | 6J4-45300-12-4D | 21 - 1 | 679-45571-00 | 21 - 49 | 676-45947-62-EL | 24 - 21 | 703-48265-00 | 27 - 9 | | 11 - 28 |
| | 24 - 1 | 6J4-45300-22-4D | 21 - 1 | 663-45576-00 | 21 - 53 | 663-45949-01-EL | 22 - 23 | 703-48268-00 | 27 - 5 | 703-82119-00 | 8 - 21 |
| 6E5-44391-00 | 13 - 2 | 6F5-45311-02-4D | 23 - 2 | 676-45577-00 | 23 - 55 | 676-45949-62-EL | 24 - 21 | 703-48271-00 | 27 - 59 | 663-82151-00 | 10 - 14 |
| 676-44511-00-94 | 17 - 61 | 6F5-45312-01-4D | 23 - 3 | 663-45577-01 | 21 - 52 | 69W-45952-00-EL | 22 - 23 | 703-48281-00 | 27 - 30 | | 11 - 12 |
| 676-44512-00-94 | 17 - 62 | 676-45314-00 | 23 - 20 | 663-45577-10 | 21 - 52 | 663-45952-02-EL | 22 - 23 | 703-48282-00 | 27 - 31 | 61N-82317-00 | 9 - 3 |
| 679-44514-00-94 | 17 - 52 | | 30 - 4 | 676-45577-10 | 23 - 55 | 676-45952-62-EL | 24 - 21 | 703-48284-00 | 27 - 51 | 6A0-82317-00 | 11 - 19 |
| 676-44518-00 | 17 - 58 | 679-45315-A1 | 21 - 5 | 663-45577-20 | 21 - 52 | 663-45954-01-EL | 22 - 23 | 701-48287-00 | 27 - 41 | 62E-8231X-00 | 9 - 10 |
| 676-44521-00 | 17 - 66 | | 29 - 4 | 676-45577-20 | 23 - 55 | 663-45956-01-EL | 22 - 23 | 703-48291-10 | 27 - 38 | 62E-82371-11 | 9 - 9 |
| 676-44522-01 | 17 - 67 | 6A0-45318-00 | 19 - 18 | 663-45577-30 | 21 - 52 | 676-45956-61-EL | 24 - 21 | 703-48293-10 | 27 - 40 | 6F6-82509-00 | 10 - 15 |
| 676-44533-00 | 17 - 57 | 650-45321-00 | 23 - 61 | 676-45577-30 | 23 - 55 | 663-45958-01-EL | 22 - 23 | 701-48320-20 | 26 - 2 | 6F5-82510-10 | 10 - 11 |
| 676-44551-01-4D | 17 - 38 | 679-45321-02 | 21 - 4 | 663-45577-40 | 21 - 52 | 663-45970-60-98 | 22 - 23 | 6F5-48345-00 | 16 - 3 | 703-82510-33 | 27 - 43 |
| 676-44552-01-4D | 17 - 39 | 679-45331-00-94 | 21 - 50 | 676-45577-40 | 23 - 55 | 663-45972-60-98 | 22 - 23 | 703-48345-01 | 27 - 19 | 703-82531-00 | 27 - 45 |
| 676-44553-01-4D | 17 - 40 | 688-45341-10 | 21 - 15 | 663-45577-50 | 21 - 52 | 663-45974-60-98 | 22 - 23 | 703-48358-00 | 27 - 20 | 703-82540-00 | 27 - 49 |
| 679-44555-00-94 | 17 - 41 | | 23 - 19 | 676-45577-50 | 23 - 55 | 663-45976-00-98 | 22 - 23 | 676-48511-01 | 16 - 5 | 6F5-82540-01 | 10 - 20 |
| 676-44575-00 | 17 - 51 | 676-45361-01-94 | 23 - 56 | 663-45577-60 | 21 - 52 | 663-45978-00-98 | 22 - 23 | 6F5-48538-00 | 16 - 2 | 682-82556-00 | 13 - 20 |
| 676-45111-03-4D | 19 - 1 | 679-45371-00 | 22 - 15 | 676-45577-60 | 23 - 55 | 663-45987-02 | 22 - 18 | 6F5-81328-00 | 8 - 9 | | 27 - 47 |
| | 20 - 1 | 663-45375-00 | 22 - 10 | 676-45577-70 | 23 - 55 | 670-45997-02 | 22 - 19 | 6J4-81800-01 | 12 - 3 | 688-82560-10 | 9 - 17 |
| 6H9-45111-11-4D | 19 - 1 | 6H9-45375-00 | 22 - 10 | 676-45587-00 | 23 - 41 | 703-48152-00 | 27 - 56 | 689-81807-12 | 12 - 5 | 688-82575-01 | 27 - 46 |
| 676-45111-15-4D | 20 - 1 | 6H9-45376-00 | 22 - 9 | 663-45587-01 | 21 - 9 | 703-48153-00 | 27 - 3 | 689-81809-11 | 12 - 9 | 6E9-82575-02 | 13 - 19 |
| 6F5-45113-A0 | 19 - 2 | 663-45376-00-94 | 22 - 9 | 663-45587-10 | 21 - 9 | 703-48189-00 | 27 - 17 | 689-81810-11 | 12 - 11 | 676-82577-00 | 10 - 12 |
| | 20 - 2 | 697-45384-00 | 21 - 58 | 676-45587-10 | 23 - 41 | 703-48198-00 | 27 - 14 | 689-81811-11 | 12 - 13 | 703-82577-00 | 27 - 44 |
| | 28 - 18 | 676-45501-00 | 23 - 39 | 663-45587-20 | 21 - 9 | 703-48211-01 | 27 - 60 | 689-81812-11 | 12 - 14 | 689-8257Y-00 | 13 - 21 |

NUMERICAL INDEX
INDICE NUMERICO

| PART NO. CODIGO N° | REF. NO. | PART NO. CODIGO N° | REF. NO. | PART NO. CODIGO N° | REF. NO. | PART NO. CODIGO N° | REF. NO. | PART NO. CODIGO N° | REF. NO. | PART NO. CODIGO N° | REF. NO. |
|-----------------------|-------------|-----------------------|-------------|-----------------------|-------------|-----------------------|-------------|-----------------------|-------------|-----------------------|-------------|
| 688-82586-21 | 27 - 48 | 90101-12M01 | 17 - 46 | 90201-10M02 | 14 - 8 | 90386-08M00 | 14 - 20 | 90465-11M10 | 9 - 11 | 92990-05100 | 4 - 8 |
| 6F5-82588-00 | 9 - 24 | 90101-12M37 | 14 - 27 | 90201-12426 | 17 - 71 | 90386-12089 | 14 - 26 | | 9 - 30 | | 4 - 19 |
| 6J4-82590-10 | 11 - 11 | 90105-06M01 | 19 - 7 | 90201-12537 | 14 - 30 | 90386-12M37 | 13 - 4 | 90465-11M52 | 17 - 68 | | 5 - 16 |
| 6F5-82590-20 | 9 - 18 | | 20 - 7 | 90201-12M16 | 17 - 47 | 90386-22M15 | 17 - 21 | 90467-06016 | 4 - 16 | | 6 - 23 |
| 6F5-82590-30 | 10 - 13 | | 23 - 22 | 90201-13M11 | 17 - 49 | 90386-44M03 | 17 - 36 | | 4 - 23 | 92990-05600 | 5 - 17 |
| 703-82591-00 | 27 - 52 | 90105-06M21 | 24 - 12 | 90201-20417 | 3 - 20 | 90386-52M02 | 17 - 35 | | 4 - 36 | | 10 - 10 |
| 703-82592-00 | 27 - 53 | 90105-08M10 | 7 - 23 | 90201-20MA8 | 23 - 53 | 90387-06035 | 13 - 16 | | 4 - 37 | | 11 - 10 |
| 703-83383-02 | 27 - 50 | 90105-08M35 | 9 - 26 | 90201-21M18 | 8 - 20 | 90387-06119 | 9 - 4 | 90467-08004 | 2 - 45 | 92990-06100 | 14 - 19 |
| 65L-83557-00 | 9 - 29 | 90105-08M50 | 12 - 18 | 90201-22429 | 21 - 47 | | 11 - 23 | | 6 - 5 | 92990-06300 | 24 - 13 |
| 6G1-83557-00 | 10 - 17 | 90105-08M51 | 12 - 25 | 90201-22M03 | 17 - 22 | | 7 - 49 | | 6 - 14 | | 24 - 16 |
| | 11 - 25 | 90109-06M12 | 17 - 6 | 90201-44M01 | 17 - 34 | 90387-06M29 | 15 - 4 | | 6 - 31 | 92990-08100 | 17 - 10 |
| 6G5-83557-00 | 10 - 19 | 90109-06M86 | 9 - 7 | 90202-06M00 | 18 - 10 | 90387-07M04 | 18 - 25 | 90468-07179 | 8 - 22 | | 19 - 23 |
| | 11 - 27 | 90116-06M17 | 4 - 10 | 90202-12060 | 22 - 3 | 90387-08M02 | 17 - 9 | | 11 - 24 | 92990-08600 | 12 - 19 |
| 6N7-83557-00 | 9 - 27 | 90116-08M00 | 17 - 8 | | 24 - 3 | 90387-08M05 | 7 - 26 | 90480-09M21 | 13 - 15 | | 27 - 33 |
| 6F5-85515-10 | 8 - 8 | 90116-08M12 | 19 - 22 | 90202-12092 | 14 - 29 | 90387-08M12 | 12 - 2 | 90480-10155 | 11 - 16 | 92990-10100 | 16 - 7 |
| 6F5-85520-10 | 8 - 4 | 90119-06121 | 1 - 17 | 90202-12M01 | 18 - 3 | 90430-06M03 | 21 - 16 | 90480-17165 | 11 - 29 | 92990-10600 | 16 - 8 |
| 6F6-85530-01 | 9 - 8 | 90119-06M11 | 13 - 27 | 90202-21100 | 17 - 48 | | 23 - 13 | 90480-17M08 | 10 - 22 | 92990-12200 | 14 - 28 |
| 6F5-85533-10 | 8 - 5 | 90119-06M61 | 13 - 17 | 90206-12052 | 13 - 7 | | 29 - 6 | | 11 - 30 | 92990-16200 | 22 - 20 |
| 6F6-85540-01 | 9 - 6 | 90119-06M65 | 9 - 5 | 90206-12054 | 14 - 31 | | 30 - 6 | 90480-18065 | 2 - 27 | 92995-05600 | 14 - 25 |
| 6F5-85542-10 | 9 - 2 | 90119-06M73 | 13 - 6 | 90206-12M00 | 18 - 4 | 90430-08020 | 21 - 13 | 90480-25161 | 9 - 12 | 92995-06100 | 1 - 9 |
| 6F6-85550-B0 | 8 - 1 | 90119-06MA3 | 2 - 31 | 90206-16M03 | 24 - 20 | | 23 - 11 | 90501-07M33 | 15 - 25 | | 19 - 12 |
| 6F5-85550-G0 | 8 - 1 | | 2 - 43 | 90209-27012 | 3 - 13 | | 23 - 18 | 90501-10227 | 7 - 44 | | 19 - 17 |
| 6F5-85560-B0 | 8 - 2 | 90119-06MA4 | 2 - 37 | 90209-52M00 | 17 - 33 | | 29 - 5 | 90501-12M36 | 15 - 24 | | 20 - 12 |
| 6F5-85580-10 | 8 - 6 | 90119-08M10 | 7 - 24 | 90214-48M03 | 21 - 57 | | 30 - 5 | 90501-14M02 | 2 - 29 | | 20 - 17 |
| 6F5-85580-20 | 8 - 7 | 90119-08MA5 | 2 - 24 | 90240-05M09 | 15 - 18 | 90430-12072 | 22 - 4 | 90501-14M05 | 18 - 11 | 92995-06600 | 1 - 10 |
| 6F5-85597-H0 | 8 - 14 | 90119-10005 | 2 - 6 | 90243-04007 | 17 - 5 | | 24 - 4 | 90501-16M01 | 21 - 48 | | 1 - 19 |
| 6F5-85597-J0 | 8 - 13 | 90119-10028 | 2 - 7 | 90249-07M01 | 18 - 21 | 90430-14115 | 2 - 32 | | 23 - 52 | | 2 - 17 |
| 6J4-86111-00 | 11 - 13 | 90141-06M00 | 2 - 19 | 90249-07M02 | 18 - 22 | 90445-07240 | 4 - 34 | 90501-18M00 | 17 - 16 | | 4 - 26 |
| 6J4-86112-00 | 11 - 15 | 90149-05M13 | 14 - 7 | 90249-12M13 | 18 - 7 | | 4 - 34 | 90501-23215 | 14 - 9 | | 6 - 3 |
| 6J4-86116-00 | 11 - 14 | 90149-06M00 | 21 - 17 | 90249-12M27 | 18 - 1 | 90445-07254 | 4 - 15 | 90502-10M04 | 18 - 29 | | 6 - 29 |
| 682-86117-00 | 11 - 18 | | 23 - 14 | 90250-06023 | 21 - 45 | 90445-07M24 | 4 - 35 | 90506-30M00 | 18 - 23 | | 7 - 29 |
| 6F6-W0001-02 | 28 - 1 | 90152-05M09 | 22 - 13 | | 23 - 50 | 90445-09090 | 6 - 13 | 90508-14M00 | 18 - 15 | | 7 - 46 |
| 6H9-W0001-22 | 29 - 1 | 90152-06M06 | 24 - 7 | 90266-04M01 | 1 - 6 | | 6 - 30 | 91490-16010 | 14 - 36 | | 7 - 48 |
| 6F5-W0001-C0 | 30 - 1 | 90157-05M19 | 25 - 4 | 90266-04M04 | 1 - 4 | 90445-09226 | 6 - 4 | | 15 - 19 | | 8 - 17 |
| 692-W0004-00 | 4 - 2 | 90159-04035 | 8 - 12 | 90269-02M09 | 14 - 6 | 90445-09M37 | 2 - 44 | 91490-20012 | 18 - 24 | | 9 - 15 |
| 6F5-W0070-K0 | 1 - 12 | 90159-04063 | 8 - 11 | 90269-04M00 | 18 - 31 | 90445-11M05 | 25 - 11 | 91490-30025 | 22 - 22 | | 9 - 20 |
| 6F6-W0078-00 | 30 - 13 | 90159-05040 | 8 - 10 | 90280-04M00 | 21 - 24 | 90445-11M06 | 25 - 9 | 91490-40040 | 24 - 19 | | 9 - 23 |
| 6J4-W0078-00 | 29 - 14 | 90159-06M01 | 4 - 30 | | 23 - 28 | 90446-10M01 | 9 - 21 | 91690-25016 | 15 - 13 | | 10 - 2 |
| 6F6-W0084-01-4D | 14 - 1 | 90170-07021 | 15 - 28 | | 29 - 26 | 90446-10M02 | 9 - 1 | 91690-30010 | 2 - 14 | | 11 - 2 |
| 6F6-W0090-05-1S | 2 - 1 | 90170-12138 | 21 - 39 | | 30 - 25 | | 10 - 7 | | 18 - 28 | | 11 - 22 |
| 6F6-W0093-00 | 28 - 21 | 90170-20137 | 8 - 19 | 90280-05015 | 8 - 18 | | 11 - 7 | 91690-30025 | 14 - 16 | | 13 - 26 |
| 6F5-W1571-03 | 7 - 1 | 90171-16011 | 22 - 21 | 90282-04010 | 21 - 59 | 90447-13011 | 13 - 23 | 91690-40032 | 4 - 44 | | 14 - 14 |
| 676-W2810-01 | 6 - 33 | 90185-05002 | 22 - 14 | 90338-22007 | 21 - 3 | 90464-06006 | 10 - 18 | 92903-06600 | 4 - 12 | | 15 - 6 |
| 6J4-W4531-01-4D | 21 - 2 | 90185-08057 | 17 - 56 | 90340-08002 | 21 - 14 | | 11 - 26 | | 4 - 14 | | 15 - 8 |
| 6H9-W4531-12-4D | 21 - 2 | 90185-12058 | 14 - 32 | | 23 - 12 | 90464-07008 | 6 - 32 | | 13 - 10 | | 21 - 63 |
| 90101-08001 | 2 - 21 | 90185-22043 | 17 - 24 | 90340-14036 | 2 - 30 | 90464-07M06 | 9 - 16 | | 15 - 16 | 92995-08100 | 10 - 4 |
| 90101-08M02 | 17 - 53 | 90201-08M08 | 17 - 54 | 90385-12M04 | 7 - 25 | 90464-16003 | 10 - 16 | 92903-08600 | 7 - 34 | | 11 - 4 |
| 90101-10M58 | 17 - 69 | 90201-09M00 | 17 - 55 | 90386-08032 | 14 - 10 | 90465-08M07 | 9 - 13 | | 7 - 37 | | 17 - 28 |

NUMERICAL INDEX
INDICE NUMERICO

| PART NO. CODIGO N° | REF. NO. | PART NO. CODIGO N° | REF. NO. | PART NO. CODIGO N° | REF. NO. | PART NO. CODIGO N° | REF. NO. | PART NO. CODIGO N° | REF. NO. | PART NO. CODIGO N° | REF. NO. |
|-----------------------|-------------|-----------------------|-------------|-----------------------|-------------|-----------------------|-------------|-----------------------|-------------|-----------------------|-------------|
| 92995-08100 | 17 - 30 | 93306-00702 | 21 - 51 | 95380-10600 | 17 - 72 | 97095-08016 | 11 - 3 | | | | |
| | 17 - 43 | 93306-20401 | 23 - 57 | 95380-12800 | 17 - 50 | 97095-08040 | 19 - 4 | | | | |
| | 17 - 45 | 93306-306U2 | 3 - 8 | 95895-06016 | 24 - 15 | | 20 - 4 | | | | |
| | 19 - 5 | 93306-307U0 | 3 - 6 | 97013-06014 | 6 - 12 | 97095-08045 | 17 - 44 | | | | |
| | 20 - 5 | 93310-727V7 | 3 - 14 | 97013-06025 | 4 - 13 | | 21 - 34 | | | | |
| | 22 - 7 | 93315-217U0 | 23 - 4 | | 13 - 9 | | 23 - 36 | | | | |
| | 24 - 10 | 93315-32224 | 21 - 7 | | 15 - 15 | | 29 - 24 | | | | |
| 92995-08600 | 17 - 19 | 93315-324U1 | 23 - 8 | 97013-06065 | 4 - 11 | | 30 - 23 | | | | |
| | 17 - 64 | 93317-22204 | 21 - 55 | 97013-08030 | 7 - 10 | 97095-08050 | 17 - 63 | | | | |
| | 21 - 33 | 93332-00001 | 21 - 10 | 97013-08035 | 7 - 33 | 97095-08055 | 21 - 32 | | | | |
| | 21 - 35 | 93332-00003 | 21 - 12 | | 7 - 36 | | 23 - 34 | | | | |
| | 23 - 35 | 93332-000U0 | 23 - 45 | 97075-08025 | 17 - 18 | | 29 - 23 | | | | |
| | 23 - 37 | 93332-000UE | 3 - 7 | 97075-08030 | 17 - 27 | | 30 - 22 | | | | |
| | 29 - 25 | 93342-624U0 | 23 - 9 | | 17 - 42 | 97095-10030 | 22 - 16 | | | | |
| | 30 - 24 | 93390-000U0 | 23 - 10 | | 22 - 6 | 97380-05025 | 27 - 8 | | | | |
| 92995-10100 | 22 - 17 | 93410-16007 | 23 - 42 | | 24 - 9 | 97380-08030 | 27 - 32 | | | | |
| 92995-10600 | 17 - 70 | 93420-36M01 | 19 - 19 | 97075-08035 | 17 - 29 | 97603-05117 | 5 - 20 | | | | |
| 93101-20048 | 23 - 58 | 93430-06024 | 27 - 10 | 97075-10040 | 16 - 6 | | 28 - 32 | | | | |
| | 30 - 11 | 93440-68M03 | 2 - 13 | 97095-05010 | 14 - 24 | 97780-40520 | 15 - 20 | | | | |
| 93101-22M00 | 21 - 29 | | 3 - 10 | | 18 - 14 | 97780-50716 | 4 - 31 | | | | |
| | 21 - 56 | 93603-21111 | 3 - 19 | 97095-06010 | 23 - 62 | 97780-60525 | 23 - 17 | | | | |
| | 23 - 6 | 93604-08062 | 21 - 31 | 97095-06012 | 12 - 23 | 97880-05008 | 11 - 17 | | | | |
| | 29 - 10 | | 23 - 33 | 97095-06016 | 1 - 8 | 97880-05014 | 4 - 7 | | | | |
| | 30 - 10 | 93604-09068 | 23 - 21 | | 2 - 16 | | 4 - 18 | | | | |
| 93101-30M33 | 2 - 9 | 93606-12019 | 19 - 21 | | 7 - 28 | 97880-05025 | 10 - 9 | | | | |
| | 28 - 15 | | 22 - 5 | | 7 - 45 | | 11 - 9 | | | | |
| 93102-35M18 | 8 - 3 | | 24 - 8 | | 9 - 19 | 97880-06016 | 21 - 6 | | | | |
| | 28 - 2 | 93606-25M00 | 19 - 3 | | 9 - 22 | 97890-05010 | 5 - 15 | | | | |
| 93104-16M01 | 2 - 10 | | 20 - 3 | | 10 - 1 | 98503-05028 | 6 - 22 | | | | |
| | 28 - 14 | 93608-12063 | 2 - 5 | | 11 - 1 | 98580-03015 | 27 - 37 | | | | |
| 93109-44M00 | 17 - 37 | | 17 - 31 | | 15 - 7 | 98580-04006 | 27 - 35 | | | | |
| 93210-03261 | 11 - 20 | 93700-06M03 | 17 - 13 | 97095-06018 | 21 - 62 | 98580-04010 | 27 - 34 | | | | |
| 93210-08287 | 25 - 14 | 94702-00040 | 2 - 46 | 97095-06020 | 14 - 13 | 98580-05010 | 27 - 36 | | | | |
| | 25 - 16 | 94702-00272 | 2 - 46 | | 19 - 16 | 98980-04006 | 5 - 8 | | | | |
| 93210-22M02 | 2 - 12 | 95303-08700 | 7 - 12 | | 20 - 16 | | 28 - 25 | | | | |
| | 28 - 17 | 95380-03600 | 6 - 19 | 97095-06025 | 1 - 18 | 99080-10600 | 18 - 9 | | | | |
| 93210-32738 | 6 - 9 | 95380-05600 | 27 - 7 | | 6 - 2 | | | | | | |
| | 28 - 19 | 95380-06600 | 4 - 27 | | 9 - 14 | | | | | | |
| 93210-41042 | 21 - 30 | | 13 - 18 | | 11 - 21 | | | | | | |
| | 29 - 13 | | 14 - 18 | | 13 - 25 | | | | | | |
| 93210-57M00 | 23 - 59 | | 14 - 35 | | 17 - 59 | | | | | | |
| | 30 - 12 | | 17 - 60 | | 19 - 11 | | | | | | |
| 93210-65M50 | 2 - 11 | | 27 - 39 | | 20 - 11 | | | | | | |
| | 28 - 16 | 95380-08600 | 6 - 11 | 97095-06030 | 7 - 47 | | | | | | |
| 93210-66M98 | 21 - 54 | | 17 - 11 | | 15 - 5 | | | | | | |
| | 29 - 12 | | 17 - 65 | 97095-06040 | 6 - 28 | | | | | | |
| 93210-75M51 | 8 - 15 | | 19 - 24 | | 8 - 16 | | | | | | |
| | 28 - 3 | 95380-10600 | 16 - 9 | 97095-08016 | 10 - 3 | | | | | | |