



**PARTS
CATALOGUE
CATALOGO
DE REPUESTOS**

(E)40XMH'06 (66TA)

(E)40XWH'06 (66TB)

(E)40XW'06 (66TB)

(E)40XWT'06 (66TB)

(E)40XMH/(E)40XWH
(E)40XW/(E)40XWT
PARTS CATALOGUE
©2005 by Yamaha Motor Co., Ltd.
1st edition, September 2005
All rights reserved.
Any reprinting or unauthorized use
without the written permission of
Yamaha Motor Co., Ltd.
is expressly prohibited.
Printed in Japan.

(E)40XMH/(E)40XWH
(E)40XW/(E)40XWT
CATALOGO DE REPUESTOS
©2005 por Yamaha Motor Co., Ltd.
1ª edición, septiembre 2005
Todos los derechos reservados.
Toda reproducción o uso no autorizado
sin el consentimiento escrito de
Yamaha Motor Co., Ltd.
quedan expresamente prohibidos
Impreso en Japón.

FOREWORD

This Parts Catalogue is related to the parts for the model(s) on the cover page. When you are ordering replacement parts, please refer to this Parts Catalogue and quote both part numbers and part names correctly.

1. Modifications or additions which have been made after the issue of the Parts Catalogue will be announced in the Parts News.
It is advisable that you make the necessary corrections to the Parts Catalogue according to the Parts News.

2. Abbreviations

The following abbreviations are used in this Parts Catalogue.

“UR” Use specified parts number.

“UN” Use as many as needed.

“AP” Alternate Parts

“LM” Locally Made (Parts need to be ordered locally)

“F#” Frame No. (Applicable machine No.)

“O/S” Over Size

3. The number of components for assembly

- Parts, which are to be supplied in an assembly, are listed with a dot (.) in front of the part name as shown below.
- The numeral appearing to the right of each component part indicates the quantity of parts for each assembly unit.

| PART NO. | DESCRIPTION | Q'TY | REMARKS |
|--------------|--------------------------|------|---------|
| 2F5-83310-60 | FRONT FLASHER LIGHT ASSY | 2 | |
| 115-83311-60 | .BULB (6V-18W) | 1 | |

4. Applicable colours of graphics are represented in the “REMARKS” as shown below.

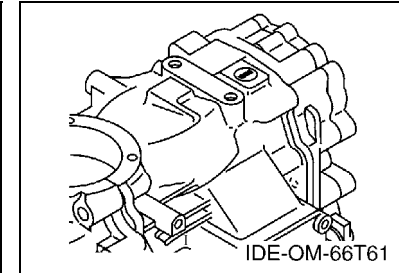
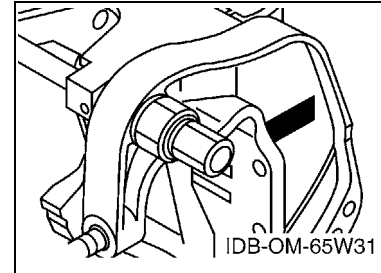
| PART NO. | DESCRIPTION | Q'TY | REMARKS |
|-----------------|---------------------|------|---------|
| 2N4-24110-00-X5 | FUEL TANK COMP. | 2 | MXR |
| 3J1-24240-10 | .GRAPHIC, FUEL TANK | 1 | FOR MXR |

5. Note that the illustrations for reference in finding parts numbers are not to be used for assembling. When assembling, please use the applicable service manual.

6. The asterisk (*) before a reference number indicates modified items after the first edition.

7. Applicable Serial No.

Engine Serial No.



8. Applicable Engine Starting Serial No.

| Model | Serial No. | Model | Serial No. |
|--------|--------------|-------|------------|
| (E)40X | 66TK-1028301 | | |
| | | | |
| | | | |
| | | | |

9. Applicable Colour Code

| Abbreviation | Colour Name | Colour Code |
|--------------|-----------------------------|-------------|
| DBNM2 | DARK BLUISH GRAY METALLIC 2 | 004D |

10. Quantity Column Information

| Column No. | Name Of Q'ty Column | Applicable Model |
|------------|---------------------|------------------|
| 1 | MH | 40XMH,E40XMH |
| 2 | WH | 40XWH,E40XWH |
| 3 | W | 40XW,E40XW |
| 4 | WT | 40XWT,E40XWT |
| | | |

PROLOGO

Este catálogo de repuestos corresponde a las piezas para el o los modelos que figuran en la página de portada. Al formular el pedido de repuestos, se ruega citar este catálogo y especificar correctamente el número y el nombre de las piezas.

- Las modificaciones y agregados que se hayan realizado después de la edición de este Catálogo de Repuestos, serán anunciados en las Informaciones de Recambios. Es recomendable que se hagan las correcciones necesarias en el Catálogo de Repuestos de acuerdo con las Informaciones de Recambios.

2. Abreviaciones

En este. Catálogo de Repuestos se emplean las siguientes abreviaciones.

- “UR” Usar el número de partes especificado
- “UN” Usar la cantidad necesaria
- “AP” Piezas sustitutivas
- “LM” Fabricación local (Hay que pedir los repuestos en las cercanías)
- “F#” N° de bastidor (N° aplicable a la máquina)
- “O/S” Sobredimensionado

3. La cantidad de componentes para el montaje

- Los componentes, suministrados como conjunto, se describen con un punto (.) que precede al nombre del parte como se indica a continuación.
- La numeración que aparece a la derecha de cada descripción indica la cantidad de partes por cada unidad de conjunto.

| CODIGO N° | DESCRIPCION | CANT. | OBSERVACIONES |
|--------------|----------------------|-------|---------------|
| 2F5-83310-60 | ENSAMBLAJE DE LA LUZ | 2 | |
| 115-83311-60 | .BOMBILLA (6V-18W) | 1 | |

4. Los colores de los componentes se indican como sigue en la columna de “OBSERVACIONES”.

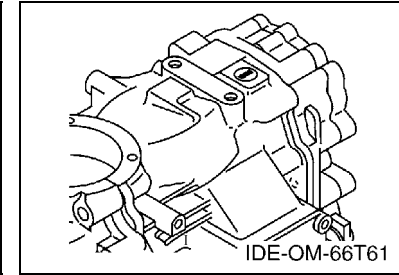
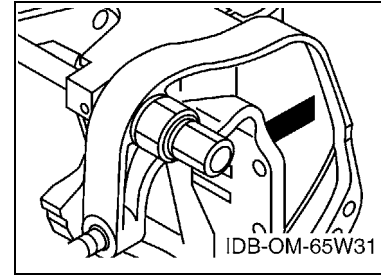
| CODIGO N° | DESCRIPCION | CANT. | OBSERVACIONES |
|-----------------|----------------------|-------|---------------|
| 2N4-24110-00-X5 | COMP. DEL TANQUE | 2 | MXR |
| 3J1-24240-10 | .GRAFICO, DEL TANQUE | 1 | PARA MXR |

- Debe tenerse en cuenta que las ilustraciones sirven como guía para la búsqueda de los números de partes y no deben usarse para el montaje. Durante el montaje, se recomienda usar el manual de taller correspondiente.

- EL asterisco (*) antes del número de referencia indica los elementos modificados después de la primera edición.

7. Números de serie

N° de Serie del motor



8. Números de serie del motor

| Modelo | N° de serie | Modelo | N° de serie |
|--------|--------------|--------|-------------|
| (E)40X | 66TK-1028301 | | |
| | | | |
| | | | |
| | | | |

9. Códigos de color aplicables

| Abreviatura | Nombre de color | Código de color |
|-------------|-----------------------------|-----------------|
| DBNM2 | DARK BLUISH GRAY METALLIC 2 | 004D |

10. Información para la columna de cantidades

| Columna N° | Nombre de la columna de cantidades | Modelo aplicable |
|------------|------------------------------------|------------------|
| 1 | MH | 40XMH,E40XMH |
| 2 | WH | 40XWH,E40XWH |
| 3 | W | 40XW,E40XW |
| 4 | WT | 40XWT,E40XWT |
| | | |

CONTENTS

SHEET1/2

| | |
|------------------------------|----|
| TOP COWLING | A4 |
| CYLINDER & CRANKCASE | A5 |
| CRANKSHAFT & PISTON | A7 |
| INTAKE | B1 |
| CARBURETOR | B2 |
| FUEL | B4 |
| STARTER | B6 |
| GENERATOR | C1 |
| ELECTRICAL 1 | C3 |
| ELECTRICAL 2 | C4 |
| ELECTRICAL 3 | C6 |
| STARTING MOTOR | C7 |
| BOTTOM COWLING | D1 |
| STEERING | D3 |
| STEERING FRICTION | D5 |
| CONTROL | D6 |
| REMO CON ATTACHMENT | E1 |
| BRACKET 1 | E2 |
| BRACKET 2 | E5 |
| BRACKET 3 | E7 |
| POWER TRIM & TILT ASSY | F2 |
| UPPER CASING | F5 |
| LOWER CASING & DRIVE 1 | F6 |

INDEX

| | |
|-----------------------|----|
| NUMERICAL INDEX | G1 |
|-----------------------|----|

SHEET2/2

| | |
|------------------------------|-----|
| LOWER CASING & DRIVE 1 | A4* |
| LOWER CASING & DRIVE 2 | A6* |
| FUEL TANK | B1* |
| STEERING GUIDE | B2* |
| REMOTE CONTROL BOX | B3* |
| REMOTE CONTROL ASSY 1 | B4* |
| REMOTE CONTROL ASSY 2 | B7* |
| SWITCH & PANEL | C2* |
| OPTIONAL PARTS | C3* |
| REPAIR KIT 1 | C4* |
| REPAIR KIT 2 | C6* |
| REPAIR KIT 3 | C7* |

INDEX

| | |
|-----------------------|-----|
| NUMERICAL INDEX | G1* |
|-----------------------|-----|

CONTENIDO

PAGINA1/2

| | |
|--------------------------------|----|
| SOPORTE SUPERIOR | A4 |
| CYLINDRO & CARTER | A5 |
| CIGUENAL & PISTON | A7 |
| ADMISION | B1 |
| CARBURADOR | B2 |
| COMBUSTIBLE | B4 |
| ARRANQUE | B6 |
| GENERADOR | C1 |
| EQUIPO ELECTRICO 1 | C3 |
| EQUIPO ELECTRICO 2 | C4 |
| EQUIPO ELECTRICO 3 | C6 |
| MOTOR DE ARRANQUE | C7 |
| CUBIERTA INFERIOR | D1 |
| DIRECCION | D3 |
| FRICCION DE DIRECCION | D5 |
| CONTROL | D6 |
| CONJUNTO ADITAMENTO | E1 |
| SOPORTE 1 | E2 |
| SOPORTE 2 | E5 |
| SOPORTE 3 | E7 |
| COMPONER Y PODER VARILLA | F2 |
| FUNDA SUPERIOR | F5 |
| IMPULSOR E INFERIOR 1 | F6 |

INDICE

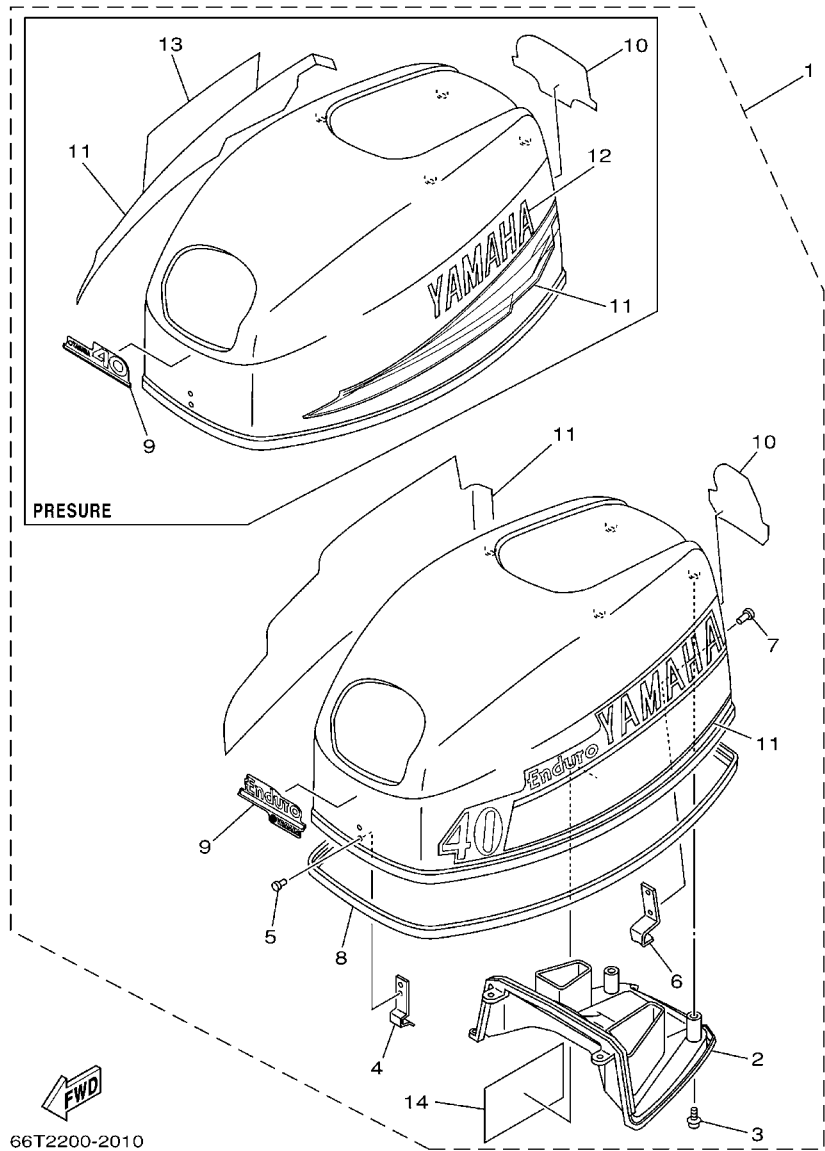
| | |
|-----------------------|----|
| INDICE NUMERICO | G1 |
|-----------------------|----|

PAGINA2/2

| | |
|-------------------------------|-----|
| IMPULSOR E INFERIOR 1 | A4* |
| IMPULSOR E INFERIOR 2 | A6* |
| DEPOSITO DE COMBUSTIBLE | B1* |
| DIRECCIONGUIAR | B2* |
| CONTROL REMOTO COMPLETO | B3* |
| CONTROL REMOTO COMPL 1 | B4* |
| CONTROL REMOTO COMPL 2 | B7* |
| PANEL DE INTERRUPTOR | C2* |
| PARTES OPCIONALES | C3* |
| ESTUCHE REPARATION 1 | C4* |
| ESTUCHE REPARATION 2 | C6* |
| ESTUCHE REPARATION 3 | C7* |

INDICE

| | |
|-----------------------|-----|
| INDICE NUMERICO | G1* |
|-----------------------|-----|



66T2200-2010

FIG. 1 TOP COWLING

SOPORTE SUPERIOR

| REF. NO. | PART NO. CODIGO Nº | DESCRIPTION DESCRIPCION | MH | WH | W | WT | REMARKS OBSERVACIONES |
|----------|--------------------|---|----|----|---|----|-----------------------|
| 1 | 66T-42610-K0-4D | TOP COWLING ASSY SOPORTE SUPERIOR COMPL. | 1 | 1 | 1 | 1 | ENDURO ENDURO |
| | 66T-42610-20-4D | TOP COWLING ASSY SOPORTE SUPERIOR COMPL. | 1 | | 1 | 1 | PLEASURE PLEASURE |
| 2 | 66T-42613-01 | .MOLDING, AIR DUCT .MOLDURA CONDUCTO AIRE | 1 | 1 | 1 | 1 | |
| 3 | 97780-50616 | .SCREW, TAPPING .TORNILLO DE CABEZA DE CONO AC | 4 | 4 | 4 | 4 | |
| 4 | 6E0-42651-02 | .HOOK .GANCHO | 1 | 1 | 1 | 1 | |
| 5 | 90266-04M04 | .RIVET .REMACHE | 2 | 2 | 2 | 2 | |
| 6 | 6F5-42652-01 | .HOOK .GANCHO | 1 | 1 | 1 | 1 | |
| 7 | 90266-04M01 | .RIVET .REMACHE | 2 | 2 | 2 | 2 | |
| 8 | 66T-42615-02 | .SEAL .SELLO | 1 | 1 | 1 | 1 | |
| 9 | 69P-42677-H0 | .GRAPHIC, FRONT .CALCAMONIA FRONTAL | 1 | 1 | 1 | 1 | ENDURO ENDURO |
| | 63D-42677-20 | .GRAPHIC, FRONT .CALCAMONIA FRONTAL | 1 | | 1 | 1 | PLEASURE PLEASURE |
| 10 | 6J4-42678-H0 | .GRAPHIC, REAR .CALCAMONIA TRASERA | 1 | 1 | 1 | 1 | ENDURO ENDURO |
| | 63D-42678-11 | .GRAPHIC, REAR .CALCAMONIA TRASERA | 1 | | 1 | 1 | PLEASURE PLEASURE |
| 11 | 66T-W0070-H0 | .GRAPHIC SET .JUEGO DE EMBLEMA | 1 | 1 | 1 | 1 | ENDURO ENDURO |
| | 63D-W0070-10 | .GRAPHIC SET .JUEGO DE EMBLEMA | 1 | | 1 | 1 | PLEASURE PLEASURE |
| 12 | 63D-42681-10 | .MARK, COWLING .MARCA DE CUBIERTA | 1 | | 1 | 1 | PLEASURE PLEASURE |
| 13 | 63D-42682-10 | .MARK, COWLING .MARCA DE CUBIERTA | 1 | | 1 | 1 | PLEASURE PLEASURE |
| 14 | 677-13437-0B | .MARK, CAUTION .MARKER | 1 | 1 | 1 | 1 | |

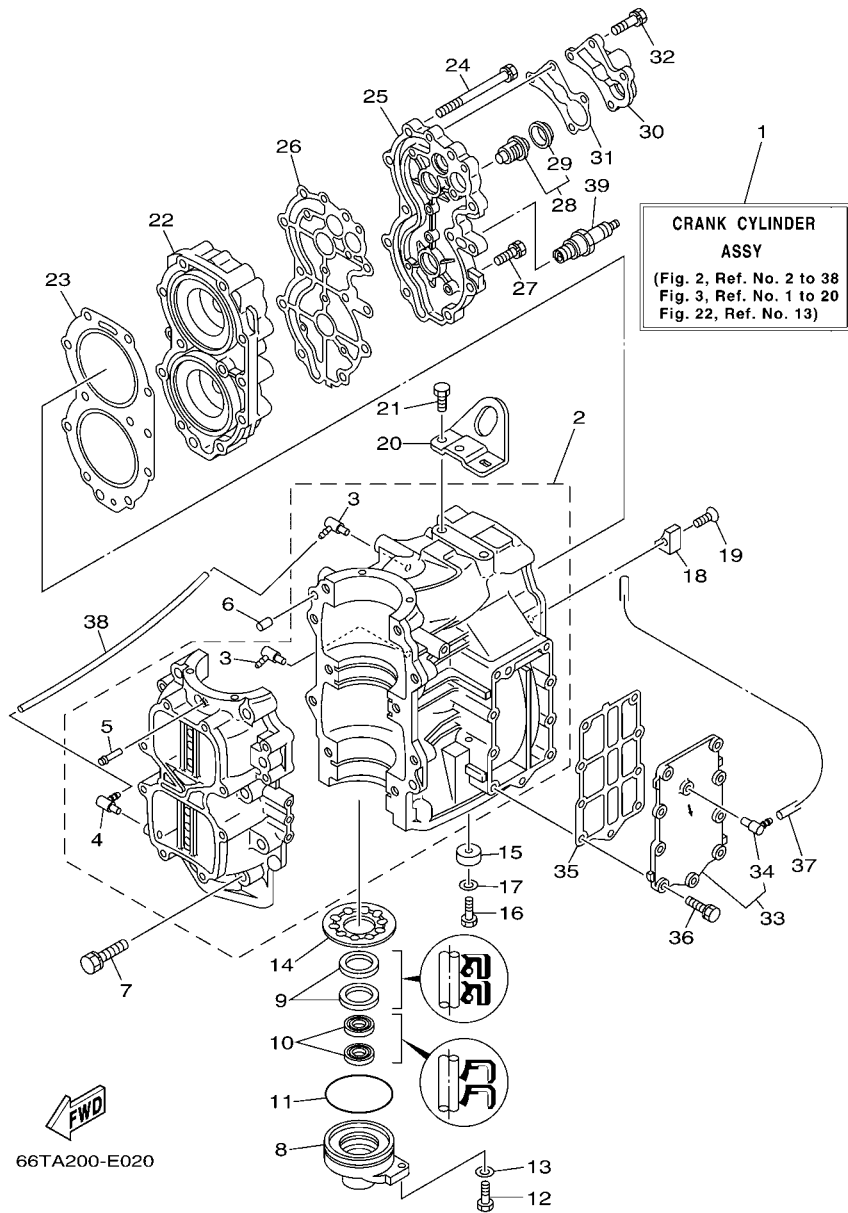
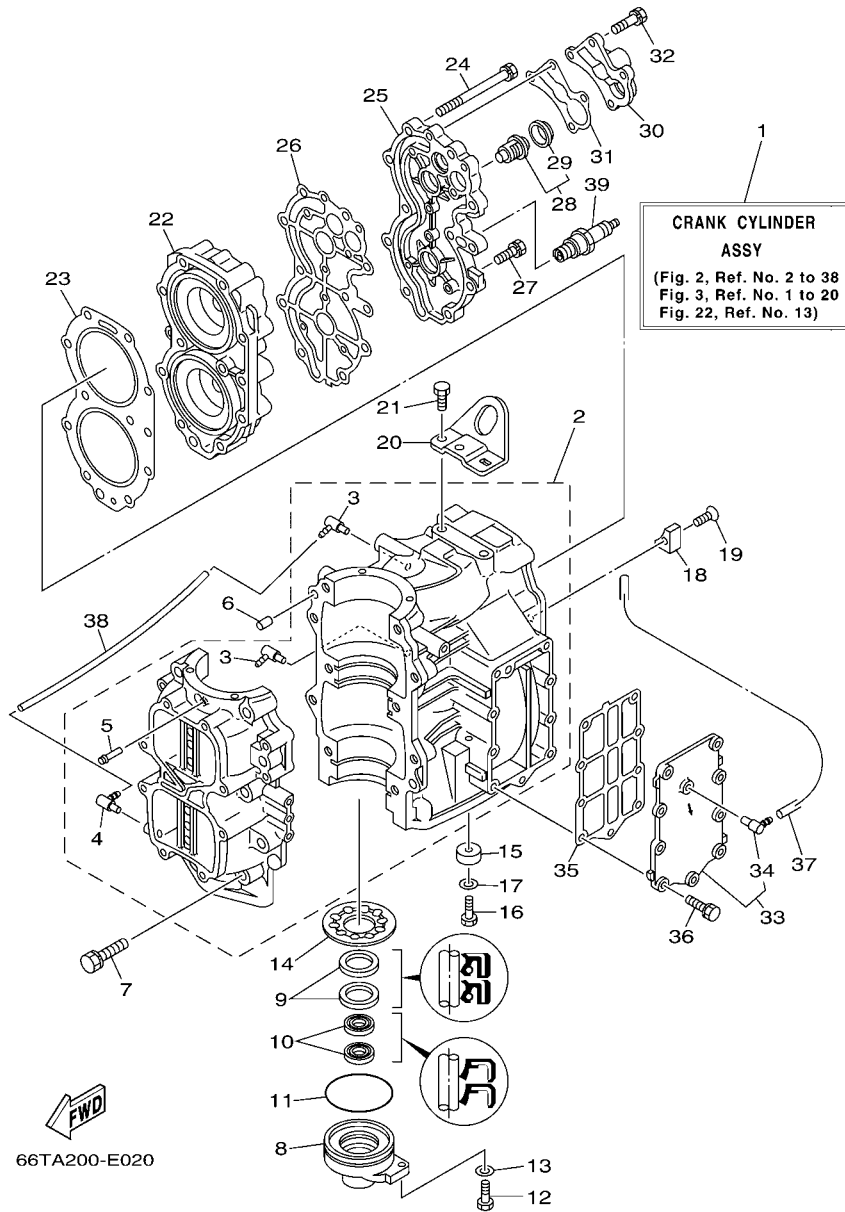


FIG. 2 CYLINDER & CRANKCASE CYLINDRO & CARTER

| REF. NO. | PART NO. CODIGO Nº | DESCRIPTION DESCRIPCION | MH | WH | W | WT | REMARKS OBSERVACIONES |
|----------|--------------------|--|----|----|----|----|-----------------------|
| 1 | 66T-W0090-02-1S | CRANK CYLINDER ASSY BLOQUE MOTOR COMPLETO | 1 | 1 | 1 | 1 | |
| 2 | 66T-15100-02-1S | CRANKCASE ASSY CARTER COMPLETO | 1 | 1 | 1 | 1 | |
| 3 | 6E5-13552-01 | .NOZZLE .BOQUILLA | 2 | 2 | 2 | 2 | |
| 4 | 6E5-13552-01 | .NOZZLE .BOQUILLA | 1 | 1 | 1 | 1 | |
| 5 | 624-14485-00 | .PIPE, JOINT .TUBO DE UNION | 1 | 1 | 1 | 1 | |
| 6 | 93608-12063 | PIN, DOWEL PASADOR DE CLAVIJA | 2 | 2 | 2 | 2 | |
| 7 | 90119-10005 | BOLT, WITH WASHER TORNILLO CON ARANDELA | 10 | 10 | 10 | 10 | |
| 8 | 66T-15396-01-94 | HOUSING, OIL SEAL CAJA DE SELLO DE ACEITE | 1 | 1 | 1 | 1 | |
| 9 | 93102-30M56 | OIL SEAL SELLO ACEITE | 2 | 2 | 2 | 2 | |
| 10 | 93101-16001 | OIL SEAL SELLO ACEITE | 2 | 2 | 2 | 2 | |
| 11 | 93210-65M50 | O-RING ANILLO O | 1 | 1 | 1 | 1 | |
| 12 | 97095-06020 | BOLT PERNO | 1 | 1 | 1 | 1 | |
| 13 | 92995-06600 | WASHER ARANDELA | 1 | 1 | 1 | 1 | |
| 14 | 66T-11565-00 | WASHER, BEARING COVER ARANDELA CUBIERTA DE COJINETE | 1 | 1 | 1 | 1 | |
| 15 | 676-45251-00 | ANODE CATODE | 1 | 1 | 1 | 1 | |
| 16 | 97095-06020 | BOLT PERNO | 1 | 1 | 1 | 1 | |
| 17 | 92995-06600 | WASHER ARANDELA | 1 | 1 | 1 | 1 | |
| 18 | 676-11325-00 | ANODE ANODO | 1 | 1 | 1 | 1 | |
| 19 | 90141-06M00 | SCREW, COUNTERSUNK TORNILLO RANURADO | 1 | 1 | 1 | 1 | |
| 20 | 66T-11119-00 | HANGER, ENGINE SOPORTE DEL MOTOR | 1 | 1 | 1 | 1 | |
| 21 | 90101-08002 | BOLT TORNILLO | 2 | 2 | 2 | 2 | |
| 22 | 66T-11111-01-1S | HEAD, CYLINDER 1 CULATA CILINDRO 1 | 1 | 1 | 1 | 1 | |
| 23 | 66T-11181-A2 | GASKET, CYLINDER HEAD 1 JUNTA, DE CULATA 1 | 1 | 1 | 1 | 1 | |
| 24 | 90119-08MA5 | BOLT, WITH WASHER TORNILLO CON ARANDELA | 11 | 11 | 11 | 11 | |
| 25 | 66T-11191-00-1S | COVER, CYLINDER HEAD 1 TAPA CULATA DE CILINDRO 1 | 1 | 1 | 1 | 1 | |
| 26 | 66T-11193-A2 | GASKET, HEAD COVER 1 EMPAQUE | 1 | 1 | 1 | 1 | |
| 27 | 90119-06MA3 | BOLT, WITH WASHER TORNILLO CON ARANDELA | 4 | 4 | 4 | 4 | |

FIG. 2 CYLINDER & CRANKCASE

CYLINDRO & CARTER



| REF. NO. | PART NO. CODIGO Nº | DESCRIPTION DESCRIPCION | MH | WH | W | WT | REMARKS OBSERVACIONES |
|----------|--------------------|---|----|----|---|----|------------------------------------|
| 28 | 6E5-12411-02 | THERMOSTAT TERMOSTAT | 1 | 1 | 1 | 1 | |
| 29 | 6E5-12412-00 | .SEAL, THERMOSTAT .SELLO TERMOSTATO | 1 | 1 | 1 | 1 | |
| 30 | 676-12413-00-1S | COVER, THERMOSTAT CUBIERTA TERMOSTATO | 1 | 1 | 1 | 1 | |
| 31 | 676-12414-A1 | GASKET, COVER EMPAQUE | 1 | 1 | 1 | 1 | |
| 32 | 90119-06MA5 | BOLT, WITH WASHER TORNILLO CON ARANDELA | 4 | 4 | 4 | 4 | |
| 33 | 66T-41113-00-1S | OUTER COVER, EXHAUST CUBOERTA EXTERIOR DE ESCAPE | 1 | 1 | 1 | 1 | |
| 34 | 676-11372-00 | .NIPPLE, HOSE .NIPLE DE MANGUERA | 1 | 1 | 1 | 1 | |
| 35 | 66T-41114-A0 | GASKET, EXHAUST OUTER COVER EMPAQUE | 1 | 1 | 1 | 1 | |
| 36 | 90119-06MA3 | BOLT, WITH WASHER TORNILLO CON ARANDELA | 9 | 9 | 9 | 9 | |
| 37 | 90445-09M75 | HOSE (L370) TUBO (L370) | 1 | 1 | 1 | 1 | |
| 38 | 90445-07M08 | HOSE (L220) TUBO (L220) | 1 | 1 | 1 | 1 | |
| 39 | 94702-00040 | PLUG, SPARK (NGK B7HS) BUJIA (NGK B7HS) | 2 | 2 | 2 | 2 | FOR CAR(CE),CHN FOR CAR(CE),CHN |
| | 94702-00272 | PLUG, SPARK (NGK BR7HS) BUJIA (NGK BR7HS) | 2 | 2 | 2 | 2 | |
| | | | | | | | |
| | | | | | | | |
| | | | | | | | |
| | | | | | | | |
| | | | | | | | |
| | | | | | | | |
| | | | | | | | |

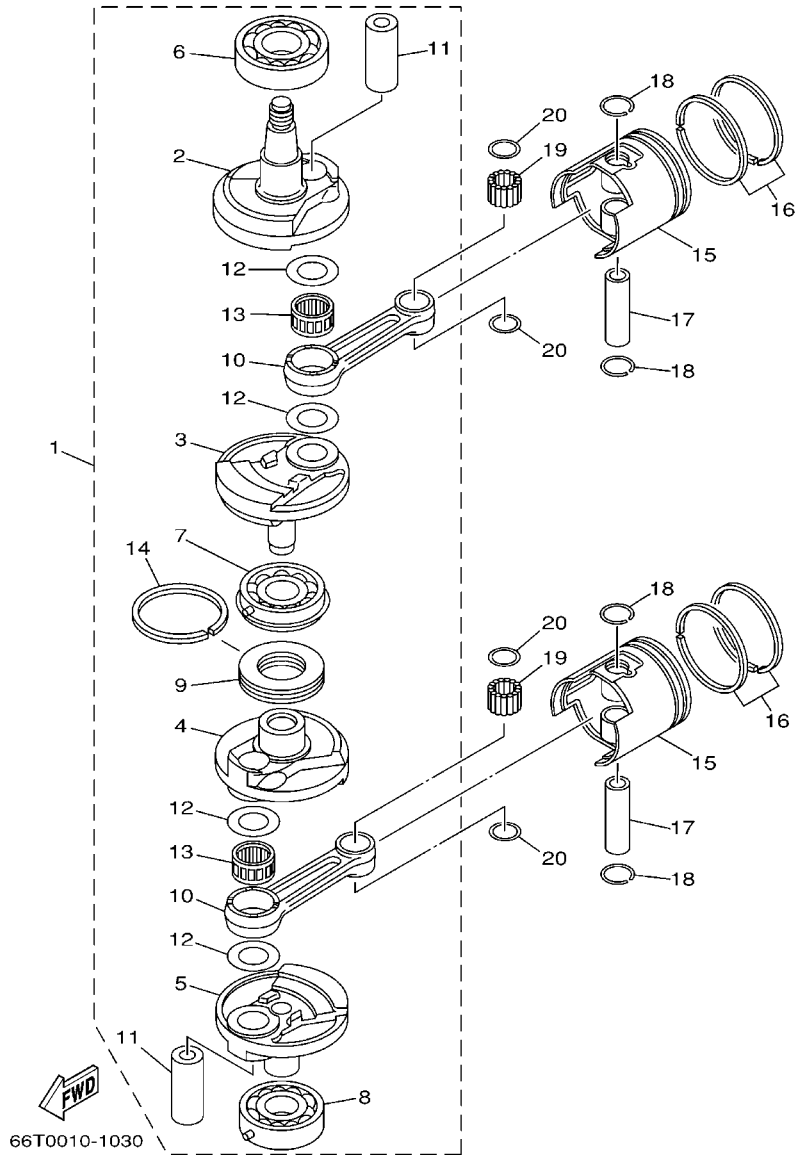


FIG. 3 CRANKSHAFT & PISTON

CIGUENAL & PISTON

| REF. NO. | PART NO. CODIGO Nº | DESCRIPTION DESCRIPCION | MH | WH | W | WT | REMARKS OBSERVACIONES |
|----------|--------------------|---|----|----|----|----|-----------------------|
| 1 | 66T-11400-01 | CRANKSHAFT ASSY CIGUENAL COMPLETO | 1 | 1 | 1 | 1 | |
| 2 | 66T-11412-00 | .CRANK 1 .MANIVELA 1 | 1 | 1 | 1 | 1 | |
| 3 | 66T-11422-00 | .CRANK 2 .MANIVELA 2 | 1 | 1 | 1 | 1 | |
| 4 | 66T-11432-00 | .CRANK 3 .MANIVELA 3 | 1 | 1 | 1 | 1 | |
| 5 | 66T-11442-00 | .CRANK 4 .MANIVELA 4 | 1 | 1 | 1 | 1 | |
| 6 | 93306-307U0 | .BEARING .COJINETE | 1 | 1 | 1 | 1 | |
| 7 | 93332-000UE | .BEARING .COJINETE | 1 | 1 | 1 | 1 | |
| 8 | 93306-306V5 | .BEARING .COJINETE | 1 | 1 | 1 | 1 | |
| 9 | 6F5-11515-00 | .SEAL, LABYRINTH 1 .SELLO LABERINTO 1 | 1 | 1 | 1 | 1 | |
| 10 | 6F5-11651-00 | .ROD, CONNECTING .BIELA | 2 | 2 | 2 | 2 | |
| 11 | 66T-11681-00 | .PIN, CRANK 1 .PASADOR MANIVELA 1 | 2 | 2 | 2 | 2 | |
| 12 | 90209-27012 | .WASHER .ARANDELA DE SEPARACION | 4 | 4 | 4 | 4 | |
| 13 | 93310-727U0 | .BEARING .COJINETE DE RODILLOS | 2 | 2 | 2 | 2 | |
| 14 | 93440-68M03 | .CIRCLIP .SEGURO | 1 | 1 | 1 | 1 | |
| 15 | 66T-11631-01-93 | PISTON (STD) PISTON (NORMA) | 2 | 2 | 2 | 2 | |
| | 66T-11635-01 | PISTON (0.25MM O/S) | 2 | 2 | 2 | 2 | AP |
| | 66T-11636-01 | PISTON (0.25MM O/S) PISTON (0.50MM O/S) PISTON (0.50MM O/S) | 2 | 2 | 2 | 2 | AP AP AP |
| 16 | 66T-11603-00 | PISTON RING SET (STD) JUEGO DE ANILLOS (NORMA) | 2 | 2 | 2 | 2 | |
| | 66T-11604-00 | PISTON RING SET (0.25MM O/S) JUEGO DE ANILLOS (0.25MM O/S) | 2 | 2 | 2 | 2 | AP AP |
| | 66T-11605-00 | PISTON RING SET (0.50MM O/S) JUEGO DE ANILLOS (0.50MM O/S) | 2 | 2 | 2 | 2 | AP AP |
| 17 | 6F5-11633-00 | PIN, PISTON PASADOR, PISTON | 2 | 2 | 2 | 2 | |
| 18 | 663-11634-00 | CLIP, PISTON PIN PRESILLA, BULON DE PISTON | 4 | 4 | 4 | 4 | |
| 19 | 93603-21111 | PIN, DOWEL PASADOR DE CLAVIJA | 56 | 56 | 56 | 56 | |
| 20 | 90201-20417 | WASHER, PLATE ARANDELA PLANA | 4 | 4 | 4 | 4 | |

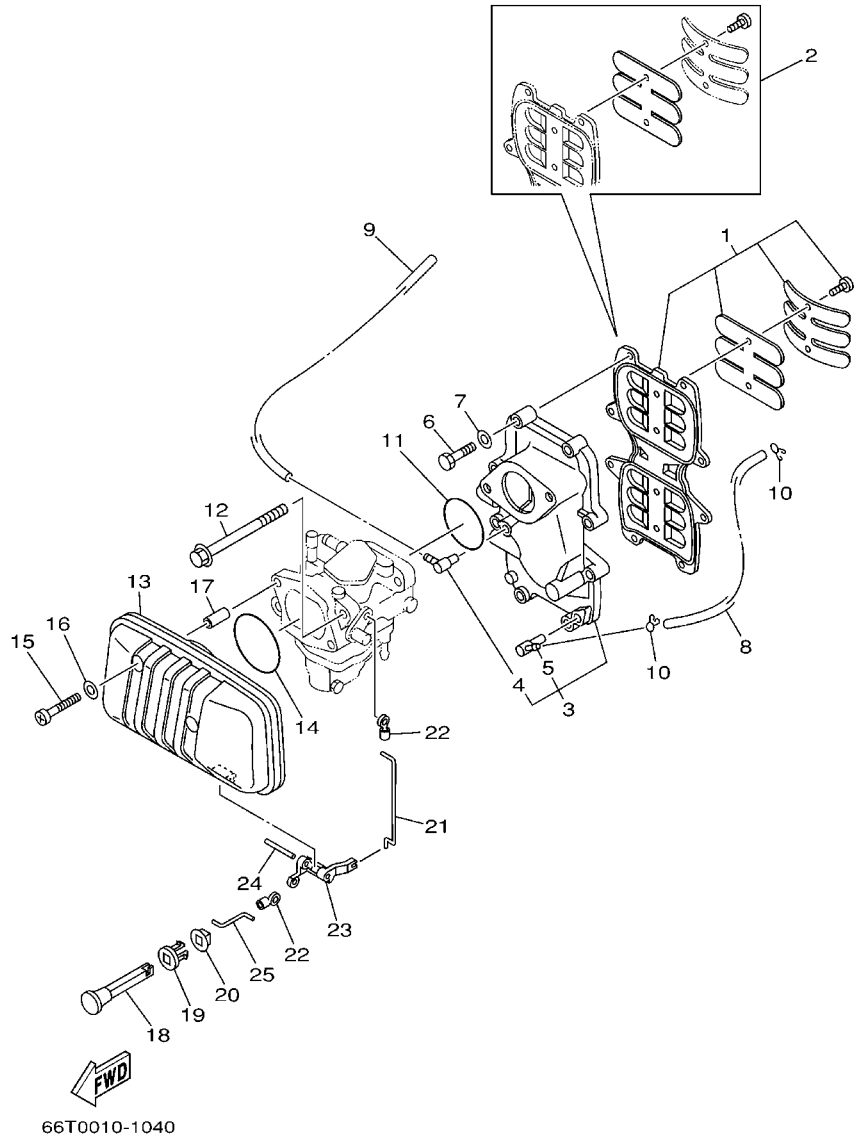


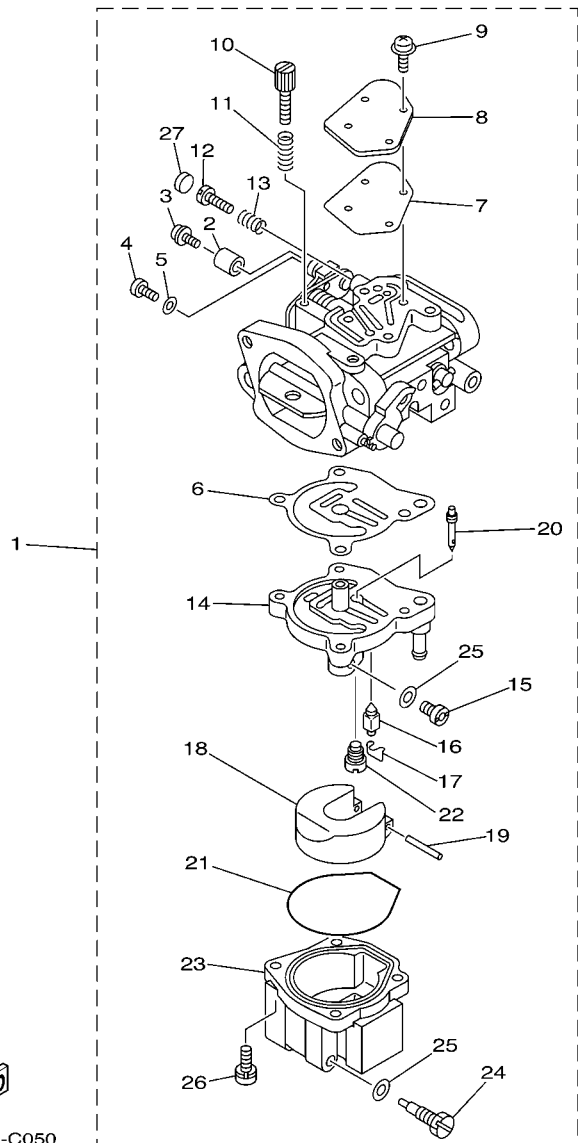
FIG. 4 INTAKE

ADMISION

| REF. NO. | PART NO. CODIGO Nº | DESCRIPTION DESCRIPCION | MH | WH | W | WT | REMARKS OBSERVACIONES |
|----------|--------------------|--|----|----|---|----|-----------------------|
| 1 | 66T-13610-00 | REED VALVE ASSY VALVULA DE LAMINAS COMPLETA | 1 | 1 | 1 | 1 | |
| 2 | 66T-W0004-00 | .REED SET .JUEGO DE VALVULAS DE LENGUETA | 1 | 1 | 1 | 1 | |
| 3 | 66T-13641-02-1S | MANIFOLD 1 MULTIPLE 1 | 1 | 1 | 1 | 1 | |
| 4 | 6E5-13552-01 | .NOZZLE .BOQUILLA | 1 | 1 | 1 | 1 | |
| 5 | 650-11372-01 | .NIPPLE, HOSE .NIPLE DE MANGUERA | 1 | 1 | 1 | 1 | |
| 6 | 97013-06035 | BOLT PERNO | 8 | 8 | 8 | 8 | |
| 7 | 92903-06600 | WASHER, PLATE RONDANA SENCILLA | 8 | 8 | 8 | 8 | |
| 8 | 90445-07M24 | HOSE (L240) TUBO (L240) | 1 | 1 | 1 | 1 | |
| 9 | 90445-07MA4 | HOSE (L280) TUBO (L280) | 1 | 1 | 1 | 1 | |
| 10 | 90467-06016 | CLIP PRESILLA | 2 | 2 | 2 | 2 | |
| 11 | 93210-46M16 | O-RING ANILLO O | 1 | 1 | 1 | 1 | |
| 12 | 90119-08M03 | BOLT, WITH WASHER TORNILLO CON ARANDELA | 2 | 2 | 2 | 2 | |
| 13 | 66T-14440-00 | SILENCER ASSY, INTAKE SILENCIADOR COMPL DE ADMISION | 1 | 1 | 1 | 1 | |
| 14 | 93210-54M54 | O-RING ANILLO O | 1 | 1 | 1 | 1 | |
| 15 | 97885-06040 | SCREW, PAN HEAD TORNILLO A MUESCA | 2 | 2 | 2 | 2 | |
| 16 | 92995-06600 | WASHER ARANDELA | 2 | 2 | 2 | 2 | |
| 17 | 90387-06M80 | COLLAR ESPACIADOR | 2 | 2 | 2 | 2 | |
| 18 | 6H4-41271-01 | KNOB, CHOKE PERILLA AHOGADOR | 1 | 1 | 1 | 1 | |
| 19 | 689-41273-00 | GROMMET TAPON PROTECTOR | 1 | 1 | 1 | 1 | |
| 20 | 6J8-41274-00 | GROMMET 2 TAPON 2 | 1 | 1 | 1 | 1 | |
| 21 | 66T-41256-00 | ROD, CHOKE 1 VARILLA DE AHOGADOR | 1 | 1 | 1 | 1 | |
| 22 | 661-41262-02 | JOINT, CHOKE LEVER CONECTOR DE AHOGADOR | 2 | 2 | 2 | 2 | |
| 23 | 66T-41252-00 | LEVER, CHOKE 1 PALANCA AHOGADOR 1 | 1 | 1 | 1 | 1 | |
| 24 | 91690-40032 | PIN, SPRING PASADOR DE RESORTE | 1 | 1 | 1 | 1 | |
| 25 | 66T-41257-00 | ROD, CHOKE 2 VARILLA DE AHOGADOR | 1 | 1 | 1 | 1 | |

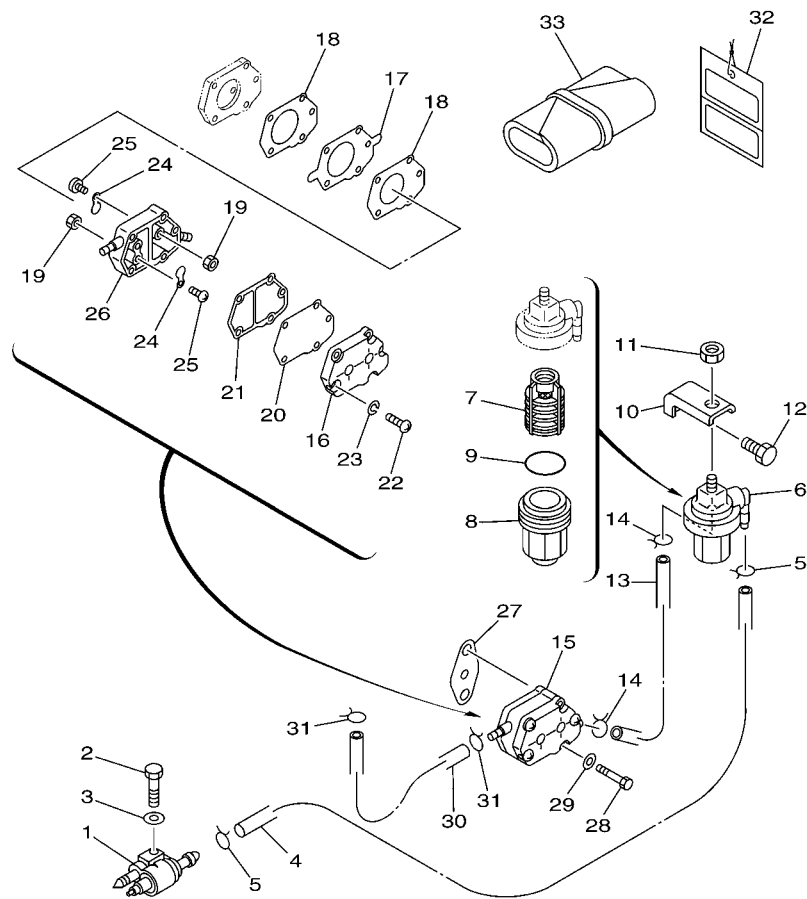
FIG. 5 CARBURETOR

CARBURADOR



66T6200-C050

| REF. NO. | PART NO. CODIGO Nº | DESCRIPTION DESCRIPCION | MH | WH | W | WT | REMARKS OBSERVACIONES |
|----------|--------------------|--|----|----|---|----|------------------------------|
| 1 | 66T-14301-02 | CARBURETOR ASSY 1 CARBURADOR COMPLETO 1 | 1 | 1 | | | |
| | 66T-14301-12 | CARBURETOR ASSY 1 CARBURADOR COMPLETO 1 | | | 1 | 1 | |
| | 66T-14301-40 | CARBURETOR ASSY 1 CARBURADOR COMPLETO 1 | 1 | 1 | | | FOR CAR(EPA) FOR CAR(EPA) |
| | 66T-14301-50 | CARBURETOR ASSY 1 CARBURADOR COMPLETO 1 | | | | 1 | FOR CAR(EPA) FOR CAR(EPA) |
| 2 | 66T-14578-00 | .COLLAR .COLLAR | 1 | 1 | 1 | 1 | |
| 3 | 66T-14584-00 | .STOPPER .RETENER | 1 | 1 | 1 | 1 | |
| 4 | 6J8-14592-01 | .SCREW .TORNILLO | 1 | 1 | 1 | 1 | |
| 5 | 92990-05600 | .WASHER, PLATE .ARANDELA PLANA | 1 | 1 | 1 | 1 | |
| 6 | 66T-14384-01 | .GASKET, FLOAT CHAMBER .EMPAQUE DE CAMARA DE BOIA | 1 | 1 | 1 | 1 | |
| 7 | 66T-14536-00 | .GASKET .EMPAQUE | 1 | 1 | 1 | 1 | |
| 8 | 66T-14527-00 | .PLATE .PLACA | 1 | 1 | 1 | 1 | |
| 9 | 97980-04112 | .SCREW, WITH WASHER .TORNILLO, CON ARANDELA | 4 | 4 | 4 | 4 | |
| 10 | 66T-14523-00 | .SCREW, STOP .TORNILLO DE TOPE | 1 | 1 | 1 | 1 | |
| 11 | 6J8-14334-00 | .SPRING, THROTTLE .RESORTE DE AJUSTADOR DE AIRE | 1 | 1 | 1 | 1 | |
| 12 | 6E5-14323-03 | .SCREW, AIR ADJUSTING .TORNILLO DE AJUSTE DE AIRE | 1 | 1 | 1 | 1 | |
| 13 | 6E5-14223-00 | .SPRING, AIR ADJUSTING .RESORTE, AJUSTE DE AIRE | 1 | 1 | 1 | 1 | |
| 14 | 66T-14945-02 | .SPACER ASSY (#38) .BRIDA DE ESPACIADOR 1 (#38) | 1 | 1 | 1 | 1 | |
| 15 | 61A-1492E-85 | .JET, MAIN (#170) .INJECTOR, PRINCIPAL (#170) | 1 | 1 | 1 | 1 | |
| 16 | 6E5-14546-00 | .VALVE, NEEDLE .VALVULA DE AGUJA | 1 | 1 | 1 | 1 | |
| 17 | 6E5-14159-00 | .CLIP .PRESILLA | 1 | 1 | 1 | 1 | |
| 18 | 6E5-14385-02 | .FLOAT .BOIA | 1 | 1 | 1 | 1 | |
| 19 | 6E5-14386-02 | .PIN, FLOAT .PASADOR DE BOIA | 1 | 1 | 1 | 1 | |
| 20 | 66T-1492F-35 | .JET, AIR SLOW (#70) .ESPREA (#70) | 1 | 1 | 1 | 1 | |
| 21 | 66T-14984-00 | .GASKET, FLOAT CHAMBER .EMPAQUE CAMARA DE BOIA | 1 | 1 | 1 | 1 | |
| 22 | 66T-14992-00 | .PLUG .TAPON | 1 | 1 | 1 | 1 | |
| 23 | 66T-14981-00 | .BODY, FLOAT CHAMBER .CUERPO CAMARA DE BOIA | 1 | 1 | 1 | 1 | |
| 24 | 66T-14991-00 | .PLUG, DRAIN .TAPON, DREN | 1 | 1 | 1 | 1 | |



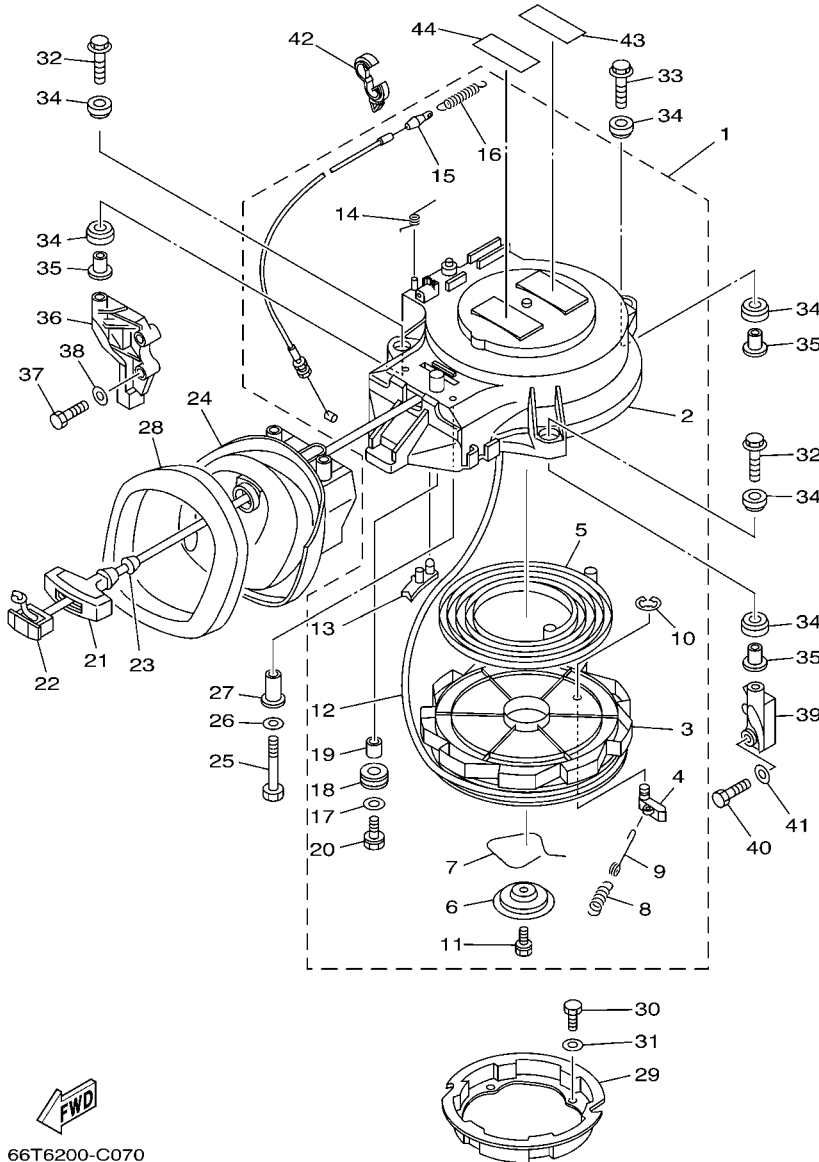
66T6700-C060

FIG. 6 FUEL

COMBUSTIBLE

| REF. NO. | PART NO. CODIGO N° | DESCRIPTION DESCRIPCION | MH | WH | W | WT | REMARKS OBSERVACIONES |
|----------|--------------------|--|----|----|---|----|-----------------------|
| 1 | 6G1-24304-02 | FUEL PIPE JOINT COMP. 1 CONECTOR MANGUERA COMBUST.1 | 1 | 1 | 1 | 1 | |
| 2 | 97095-06030 | BOLT PERNO | 1 | 1 | 1 | 1 | |
| 3 | 92995-06600 | WASHER ARANDELA | 1 | 1 | 1 | 1 | |
| 4 | 90445-09M08 | HOSE (L550) TUBO (L550) | 1 | 1 | 1 | 1 | |
| 5 | 90467-08004 | CLIP PRESILLA | 2 | 2 | 2 | 2 | |
| 6 | 61N-24560-00 | FILTER ASSY FILTRO COMPLETO | 1 | 1 | 1 | 1 | |
| 7 | 61N-24563-00 | .ELEMENT, FILTER .ELEMENTO DEL FILTRO | 1 | 1 | 1 | 1 | |
| 8 | 61N-24521-00 | .CUP, FILTER .COPA DE FILTRO | 1 | 1 | 1 | 1 | |
| 9 | 93210-32738 | .O-RING .ANILLO O | 1 | 1 | 1 | 1 | |
| 10 | 648-24566-02 | BRACKET, FILTER SOPORTE DEL FILTRO | 1 | 1 | 1 | 1 | |
| 11 | 95380-08600 | NUT TUERCA | 1 | 1 | 1 | 1 | |
| 12 | 97013-06014 | BOLT PERNO | 1 | 1 | 1 | 1 | |
| 13 | 90445-09086 | HOSE (L170) TUBO (L170) | 1 | 1 | 1 | 1 | |
| 14 | 90467-08004 | CLIP PRESILLA | 2 | 2 | 2 | 2 | |
| 15 | 692-24410-00 | FUEL PUMP ASSY BOMBA DE COMBUSTIBLE COMPLETA | 1 | 1 | 1 | 1 | |
| 16 | 6A0-24413-00 | .BODY 2 .CUERPO 2 | 1 | 1 | 1 | 1 | |
| 17 | 692-24411-00 | .DIAPHRAGM .DIAFRAGMA | 1 | 1 | 1 | 1 | |
| 18 | 648-24434-01 | .GASKET, BODY .EMPAQUE | 2 | 2 | 2 | 2 | |
| 19 | 95380-03600 | .NUT .TUERCA | 2 | 2 | 2 | 2 | |
| 20 | 663-24411-00 | .DIAPHRAGM .DIAFRAGMA | 1 | 1 | 1 | 1 | |
| 21 | 648-24435-02 | .GASKET, BODY 2 .EMPAQUE | 1 | 1 | 1 | 1 | |
| 22 | 98503-05028 | .SCREW, PAN HEAD .TORNILLO DE CABEZA DE CONO AC | 3 | 3 | 3 | 3 | |
| 23 | 92990-05100 | .WASHER, SPRING .ARANDELA PLANA | 3 | 3 | 3 | 3 | |
| 24 | 6A0-24421-01 | .VALVE, CHECK .VALVULA DE RETENCION | 2 | 2 | 2 | 2 | |
| 25 | 6A0-14325-00 | .SCREW, PAN HEAD .TORNILLO CABEZA REDONDA | 2 | 2 | 2 | 2 | |
| 26 | 6A0-24412-02 | .BODY 1 .CUERPO 1 | 1 | 1 | 1 | 1 | |
| 27 | 650-24431-A0 | GASKET, FUEL PUMP 1 EMPAQUE BOMBA COMBUST 1 | 1 | 1 | 1 | 1 | |

B4



66T6200-C070

*1: CUT FROM 50M ROLLS, PART NO. 90890-44374, CUTTING LENGTH 1.8M

*1: CORTE DE UN RODILLO DE 50M , PARTS NUMERO 90890-44374, LARGO DEL CORTE 1.8M

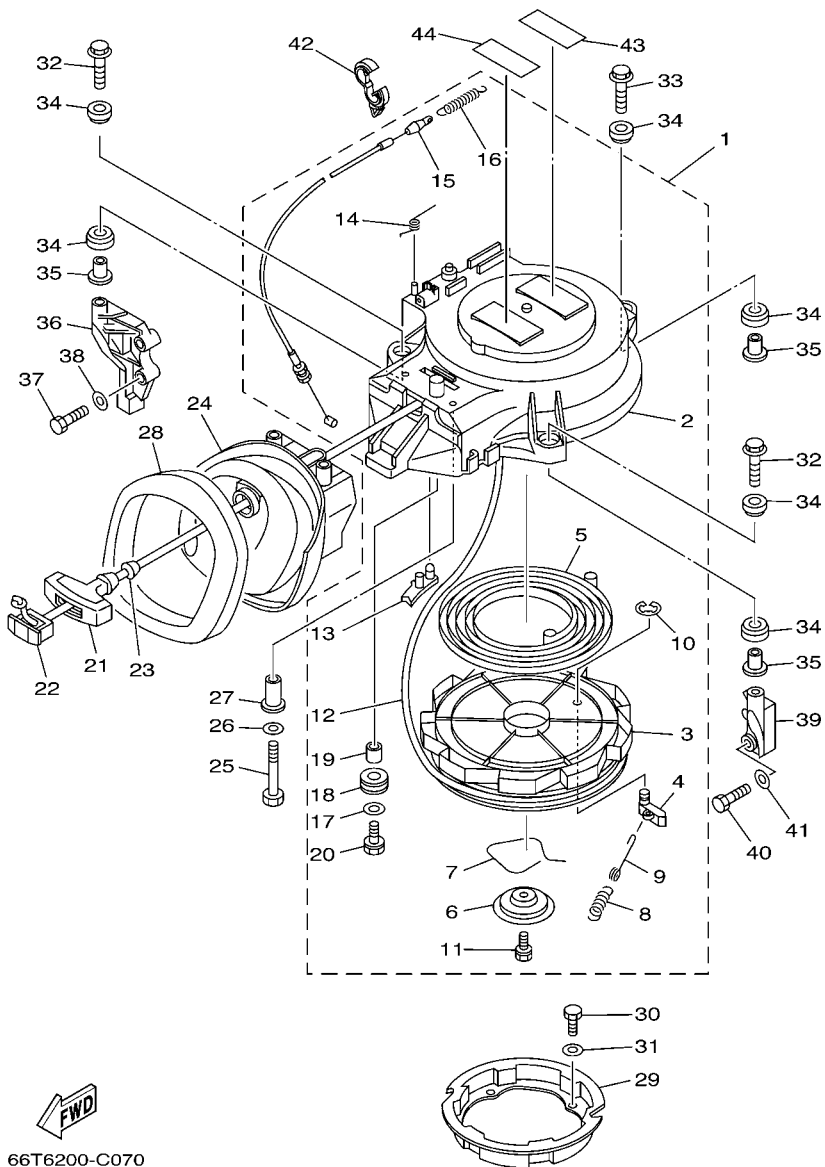
FIG. 7 STARTER

ARRANQUE

| REF. NO. | PART NO. CODIGO Nº | DESCRIPTION DESCRIPCION | MH | WH | W | WT | REMARKS OBSERVACIONES |
|----------|--------------------|--|----|----|---|----|-----------------------|
| 1 | 66T-15710-00 | STARTER ASSY ARRANQUE COMPLETO | 1 | 1 | 1 | 1 | |
| 2 | 66T-15711-00 | .CASE, STARTER .CAJA DE ARRANQUE | 1 | 1 | 1 | 1 | |
| 3 | 66T-15714-00 | .DRUM, SHEAVE .TAMBOR ROLDANA | 1 | 1 | 1 | 1 | |
| 4 | 63V-15741-00 | .PAWL, DRIVE .TRINQUETE DE TRACCION | 1 | 1 | 1 | 1 | |
| 5 | 66T-15713-00 | .SPRING, STARTER .RESORTE DE ARRANQUE | 1 | 1 | 1 | 1 | |
| 6 | 66T-15716-00 | .PLATE, DRIVE .PLACA DE TRACCION | 1 | 1 | 1 | 1 | |
| 7 | 66T-15705-00 | .SPRING, DRIVE PAWL .RESORTE | 1 | 1 | 1 | 1 | |
| 8 | 66T-15767-00 | .SPRING .RESORTE | 1 | 1 | 1 | 1 | |
| 9 | 66T-15784-00 | .SPRING, RETURN .RESORTE DE RETORNO | 1 | 1 | 1 | 1 | |
| 10 | 63V-15744-00 | .CIRCLIP .SEGURO | 1 | 1 | 1 | 1 | |
| 11 | 63V-15768-00 | .BOLT .TORNILLO | 1 | 1 | 1 | 1 | |
| 12 | * | .WIRE, STARTER (L:1800MM) .CUERDA DE ARRANQUE (L:1800MM) | 1 | 1 | 1 | 1 | *1 *1 |
| 13 | 66T-15794-00 | .STOPPER .TOPE | 1 | 1 | 1 | 1 | |
| 14 | 66T-15734-00 | .SPRING, RETURN .RESORTE DE RETORNO | 1 | 1 | 1 | 1 | |
| 15 | 66T-15770-00 | .CABLE COMP., STARTER STOP .CABLECOMPL DE SEGURO ARRANQUE | 1 | 1 | 1 | 1 | |
| 16 | 66T-15731-00 | .SPRING, RETURN .RESORTE DE RETORNO | 1 | 1 | 1 | 1 | |
| 17 | 6F5-15791-00 | .WASHER, LOCK .EMBLEMA | 1 | 1 | 1 | 1 | |
| 18 | 6F5-15752-00 | .ROLLER, WIRE .RODILLO DE CUERDA | 1 | 1 | 1 | 1 | |
| 19 | 6F5-15753-00 | .BUSH .BUJE | 1 | 1 | 1 | 1 | |
| 20 | 6F5-15768-00 | .BOLT .TORNILLO | 1 | 1 | 1 | 1 | |
| 21 | 689-15755-01 | HANDLE, STARTER MANIJA DE ARRANQUE | 1 | 1 | 1 | 1 | |
| 22 | 6F5-15779-02 | COVER CUBIERTA | 1 | 1 | 1 | 1 | |
| 23 | 697-15789-00 | DAMPER AMORTIGUADOR | 1 | 1 | 1 | 1 | |
| 24 | 66T-15758-01 | GUIDE, ROPE GUIA DE CUERDA | 1 | 1 | 1 | 1 | |
| 25 | 97095-06035 | BOLT PERNO | 2 | 2 | 2 | 2 | |
| 26 | 92995-06600 | WASHER ARANDELA | 2 | 2 | 2 | 2 | |
| 27 | 90387-06M66 | COLLAR ESPACIADOR | 2 | 2 | 2 | 2 | |

FIG. 7 STARTER

ARRANQUE



66T6200-C070

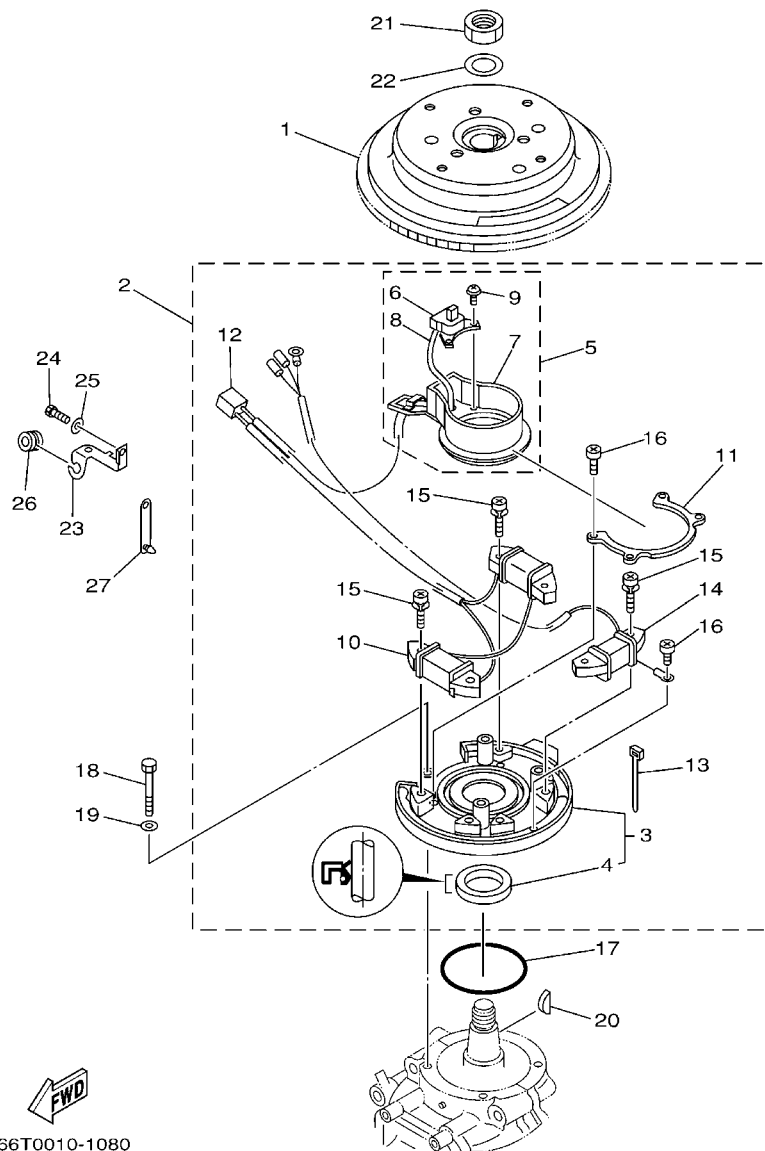
*1: CUT FROM 50M ROLLS, PART NO.90890-44374, CUTTING LENGTH 1.8M

*1:CORTE DE UN RODILLO DE 50M , PARTS NUMERO 90890-44374, LARGO DEL CORTE 1.8M

| REF. NO. | PART NO. CODIGO Nº | DESCRIPTION DESCRIPCION | MH | WH | W | WT | REMARKS OBSERVACIONES |
|----------|--------------------|--|----|----|---|----|-----------------------|
| 28 | 66T-15762-01 | SEAL, RUBBER 2 SELLO DE GOMA 2 | 1 | 1 | 1 | 1 | |
| 29 | 66T-15723-00 | PULLEY, STARTER POLEA DE ARRANQUE | 1 | 1 | 1 | 1 | |
| 30 | 97095-06010 | BOLT PERNO | 4 | 4 | 4 | 4 | |
| 31 | 92995-06600 | WASHER ARANDELA | 4 | 4 | 4 | 4 | |
| 32 | 90119-08M10 | BOLT, WITH WASHER TORNILLO CON ARANDELA | 2 | 2 | 2 | 2 | |
| 33 | 90119-08M51 | BOLT, WITH WASHER TORNILLO CON ARANDELA | 1 | 1 | 1 | 1 | |
| 34 | 90385-12M04 | BUSH BUJE | 6 | 6 | 6 | 6 | |
| 35 | 90387-08M05 | COLLAR ESPACIADOR | 3 | 3 | 3 | 3 | |
| 36 | 66T-15771-00-94 | STAY 1 SOPORTE 1 | 1 | 1 | 1 | 1 | |
| 37 | 97013-06030 | BOLT PERNO | 2 | 2 | 2 | 2 | |
| 38 | 92903-06600 | WASHER, PLATE RONDANA SENCILLA | 2 | 2 | 2 | 2 | |
| 39 | 66T-15772-00-94 | STAY 2 SOPORTE 2 | 1 | 1 | 1 | 1 | |
| 40 | 97013-06030 | BOLT PERNO | 2 | 2 | 2 | 2 | |
| 41 | 92903-06600 | WASHER, PLATE RONDANA SENCILLA | 2 | 2 | 2 | 2 | |
| 42 | 90464-13249 | CLAMP BRIDA | 1 | 1 | 1 | 1 | |
| 43 | 6A1-83625-41 | MARK 5 MARCA 5 | 1 | 1 | 1 | 1 | |
| 44 | 61T-83625-80 | MARK 5 MARCA 5 | 1 | 1 | 1 | 1 | FOR RUS FOR RUS |

FIG. 8 GENERATOR

GENERADOR



66T0010-1080

| REF. NO. | PART NO. CODIGO Nº | DESCRIPTION DESCRIPCION | MH | WH | W | WT | REMARKS OBSERVACIONES |
|----------|--------------------|--|----|----|---|----|--------------------------------------|
| 1 | 66T-85550-00 | ROTOR ASSY ROTOR COMPLETO | | 1 | 1 | 1 | |
| | 66T-85550-10 | ROTOR ASSY ROTOR COMPLETO | | 1 | | | |
| 2 | 66T-85560-01 | BASE ASSY CONJUNTO BASE | 1 | 1 | 1 | 1 | |
| | 66T-85560-11 | BASE ASSY CONJUNTO BASE | | 1 | | | |
| 3 | 66T-85561-00 | .BASE, MAGNETO .BASE DE MAGNETO | 1 | 1 | 1 | 1 | |
| 4 | 93102-35008 | ..OIL SEAL ..SELLO ACEITE | 1 | 1 | 1 | 1 | |
| 5 | 66T-85580-00 | .PULSER COIL ASSY .BOBINA DE PULSACION COMPLETA | 1 | 1 | 1 | 1 | |
| 6 | 66T-85596-00 | ..COIL, PULSER 1 ..BOBINA DE PULSACION 1 | 1 | 1 | 1 | 1 | |
| 7 | 66T-85582-00 | ..ATTACHMENT, PULSER ..IMPLEMENTO DE PULSACION | 1 | 1 | 1 | 1 | |
| 8 | 66T-85515-00 | ..LEAD WIRE ASSY ..CABLE CONDUCTOR COMPLETO | 1 | 1 | 1 | 1 | |
| 9 | 97902-04108 | ..SCREW, WITH WASHER ..TORNILLO, CON ARANDELA | 2 | 2 | 2 | 2 | |
| 10 | 66T-85520-00 | .COIL, CHARGE .BOBINA DE CARGA | 1 | 1 | 1 | 1 | |
| 11 | 66T-41611-00 | .RETAINER, MAGNETO BASE .RETENEDOR BASE MAGNETO | 1 | 1 | 1 | 1 | |
| 12 | 9E471-04305 | .CONNECTOR .CONECTOR | 1 | 1 | 1 | 1 | |
| 13 | 66T-81328-00 | .CLAMP .GRAMPA | 1 | 1 | 1 | 1 | |
| 14 | 66T-85533-00 | .COIL, LIGHTING .BOBINA DE LUZ | 1 | 1 | 1 | 1 | FOR 66T-85560-01 FOR 66T-85560-01 |
| 15 | 97902-06125 | .SCREW, WITH WASHER .TORNILLO, CON ARANDELA | 6 | 6 | 6 | 6 | FOR 66T-85560-01 FOR 66T-85560-01 |
| | 97902-06125 | .SCREW, WITH WASHER .TORNILLO, CON ARANDELA | 4 | | | | FOR 66T-85560-11 FOR 66T-85560-11 |
| 16 | 97802-04006 | .SCREW, PAN HEAD .TORNILLO | 5 | 5 | 5 | 5 | FOR 66T-85560-01 FOR 66T-85560-01 |
| | 97802-04006 | .SCREW, PAN HEAD .TORNILLO | 4 | | | | FOR 66T-85560-11 FOR 66T-85560-11 |
| 17 | 93210-75M51 | O-RING ANILLO O | 1 | 1 | 1 | 1 | |
| 18 | 97095-06040 | BOLT PERNO | 4 | 4 | 4 | 4 | |
| 19 | 92995-06600 | WASHER ARANDELA | 4 | 4 | 4 | 4 | |
| 20 | 90280-05015 | KEY, WOODRUFF CUNA WOODRUFF | 1 | 1 | 1 | 1 | |
| 21 | 90170-20137 | NUT TUERCA | 1 | 1 | 1 | 1 | |
| 22 | 90201-21M18 | WASHER, PLATE ARANDELA PLANA | 1 | 1 | 1 | 1 | |
| 23 | 90465-15M74 | CLAMP BRIDA | 1 | 1 | 1 | 1 | |

C1

FWD
66T0010-1080

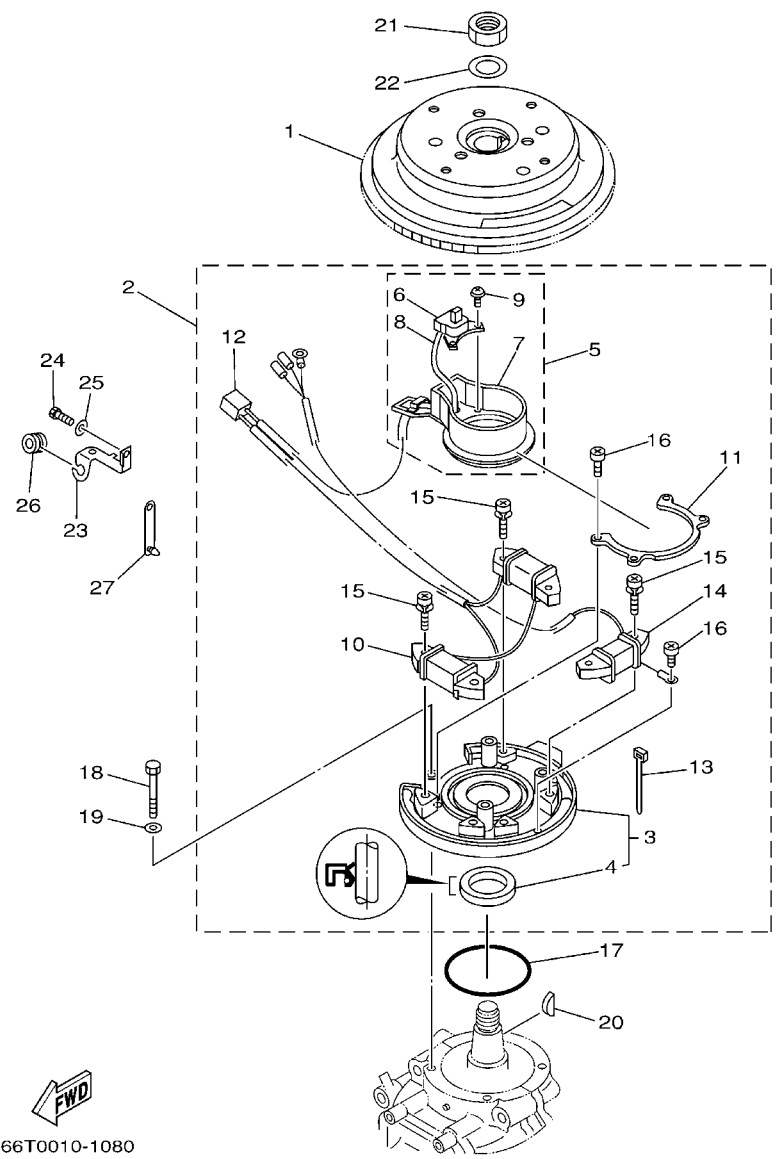


FIG. 8 GENERATOR

GENERADOR

| REF. NO. | PART NO. CODIGO Nº | DESCRIPTION DESCRIPCION | MH | WH | W | WT | REMARKS OBSERVACIONES |
|----------|--------------------|-------------------------|----|----|---|----|-----------------------|
| 24 | 97095-06016 | BOLT PERNO | 1 | 1 | 1 | 1 | |
| 25 | 92995-06600 | WASHER ARANDELA | 1 | 1 | 1 | 1 | |
| 26 | 90480-10M71 | GROMMET TAPON | 1 | 1 | 1 | 1 | |
| 27 | 90464-12M00 | CLAMP BRIDA | 1 | 1 | 1 | 1 | |
| ----- | | | | | | | |
| ----- | | | | | | | |
| ----- | | | | | | | |
| ----- | | | | | | | |
| ----- | | | | | | | |
| ----- | | | | | | | |
| ----- | | | | | | | |
| ----- | | | | | | | |
| ----- | | | | | | | |
| ----- | | | | | | | |

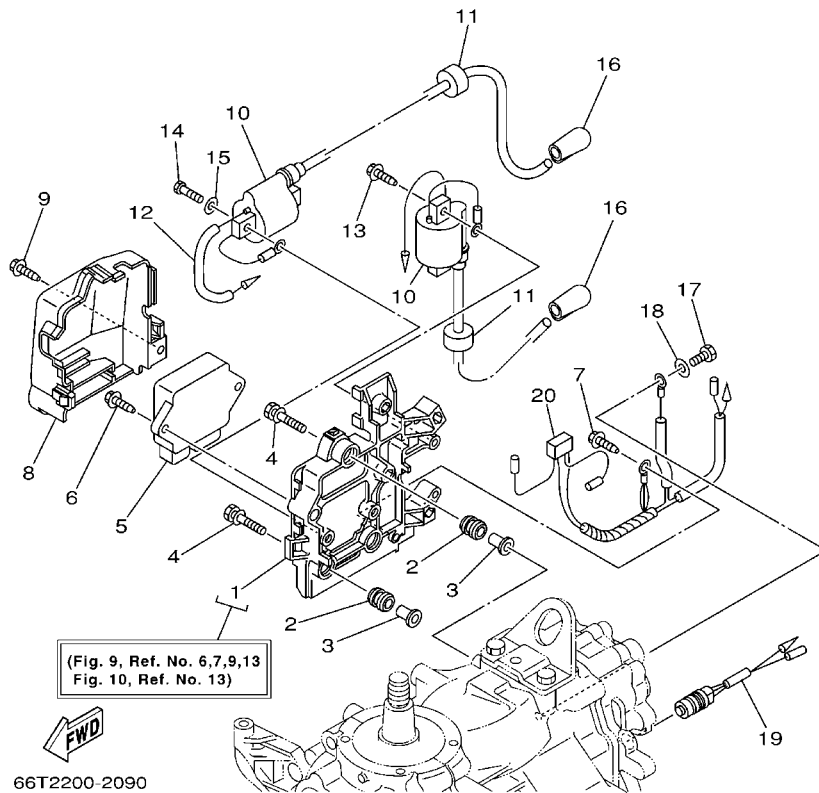
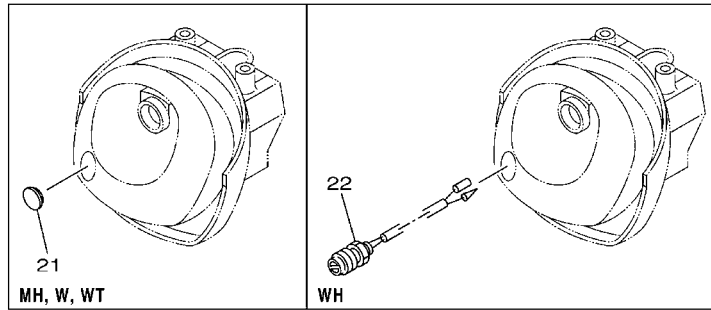


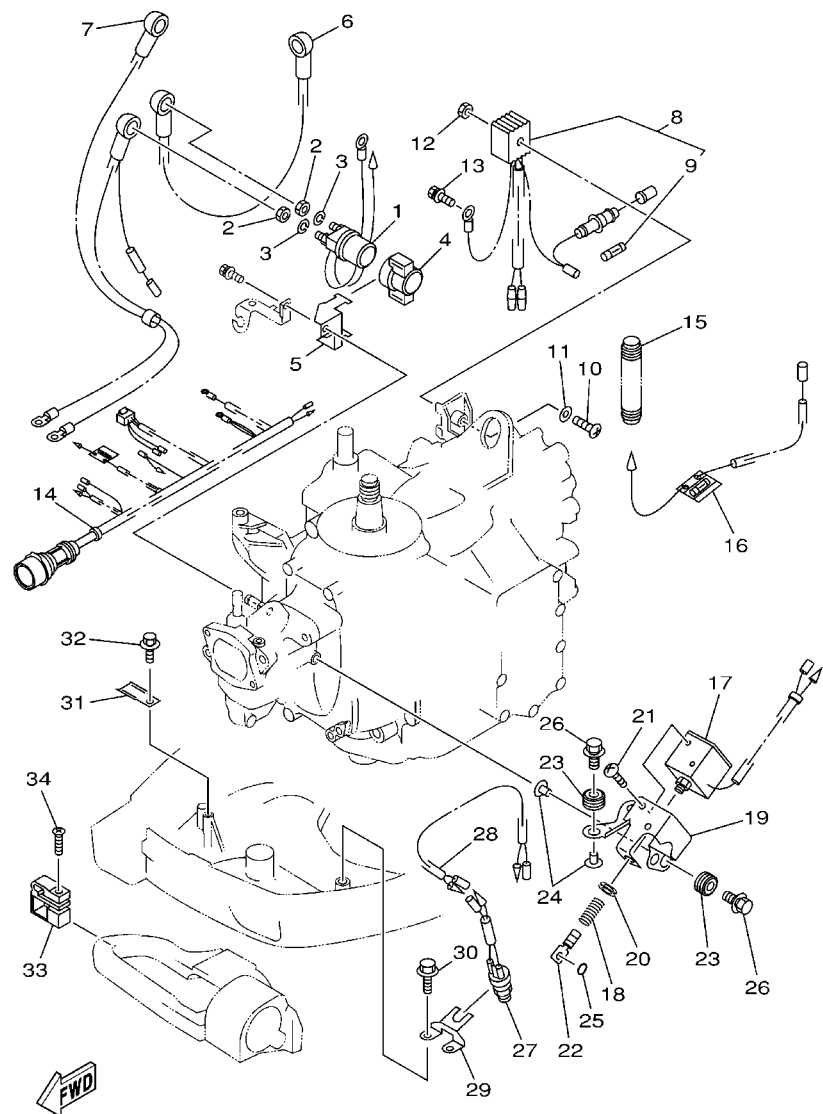
FIG. 9 ELECTRICAL 1

EQUIPO ELECTRICO 1

| REF. NO. | PART NO. CODIGO N° | DESCRIPTION DESCRIPCION | MH | WH | W | WT | REMARKS OBSERVACIONES |
|----------|--------------------|---|----|----|---|----|----------------------------|
| 1 | 66T-8554B-01-94 | BRACKET SOPORTE | 1 | 1 | 1 | 1 | |
| 2 | 6A0-82317-00 | DAMPER, IGNITION COIL AMORTIGUADOR BOBINA ENCENDIDO | 3 | 3 | 3 | 3 | |
| 3 | 90387-06119 | COLLAR ESPACIADOR | 3 | 3 | 3 | 3 | |
| 4 | 90119-06M65 | BOLT, WITH WASHER TORNILLO CON ARANDELA | 3 | 3 | 3 | 3 | |
| 5 | 66T-85540-00 | C.D.I. UNIT ASSY UNIDAD C.D.I. COMPLETA | 1 | 1 | 1 | 1 | |
| 6 | 90109-06M81 | BOLT PERNO | 2 | 2 | 2 | 2 | |
| 7 | 90109-06M80 | BOLT PERNO | 1 | 1 | 1 | 1 | |
| 8 | 66T-81916-01 | COVER, TERMINAL CUBIERTA DE TERMINAL | 1 | 1 | 1 | 1 | |
| 9 | 90109-06M81 | BOLT PERNO | 1 | 1 | 1 | 1 | |
| 10 | 66T-85570-00 | IGNITION COIL ASSY BOBINA DE IGNICION COMPLETO | 2 | 2 | 2 | 2 | |
| 11 | 90480-25161 | GROMMET TAPON | 2 | 2 | 2 | 2 | |
| 12 | 90446-03MA3 | HOSE TUBO RESEIRADERO | 1 | 1 | 1 | 1 | |
| 13 | 90109-06M81 | BOLT PERNO | 2 | 2 | 2 | 2 | |
| 14 | 97095-06025 | BOLT PERNO | 2 | 2 | 2 | 2 | |
| 15 | 92995-06600 | WASHER ARANDELA | 2 | 2 | 2 | 2 | |
| 16 | 66T-82370-00 | PLUG CAP ASSY TAPON DE BUJIA COMPLT | 2 | 2 | 2 | 2 | |
| | 6E3-82370-21 | PLUG CAP ASSY TAPON DE BUJIA COMPLT | 2 | 2 | | | FOR CAR(CE) FOR CAR(CE) |
| 17 | 97095-06012 | BOLT PERNO | 1 | 1 | 1 | 1 | |
| 18 | 92995-06600 | WASHER ARANDELA | 1 | 1 | 1 | 1 | |
| 19 | 688-82560-10 | THERMO SWITCH ASSY INTER. DE TERMO | 1 | 1 | 1 | 1 | |
| 20 | 66T-82519-00 | WIRE, EARTH LEAD CABLE CONDUCTOR A TIERRA | 1 | 1 | | | |
| 21 | 6G1-42725-00 | GROMMET TAPON | 1 | | 1 | 1 | |
| 22 | 689-81870-00 | STARTING SWITCH ASSY INTERRUPTOR DE ARRANQUE COMPL. | | 1 | | | |

FIG. 10 ELECTRICAL 2

EQUIPO ELECTRICO 2

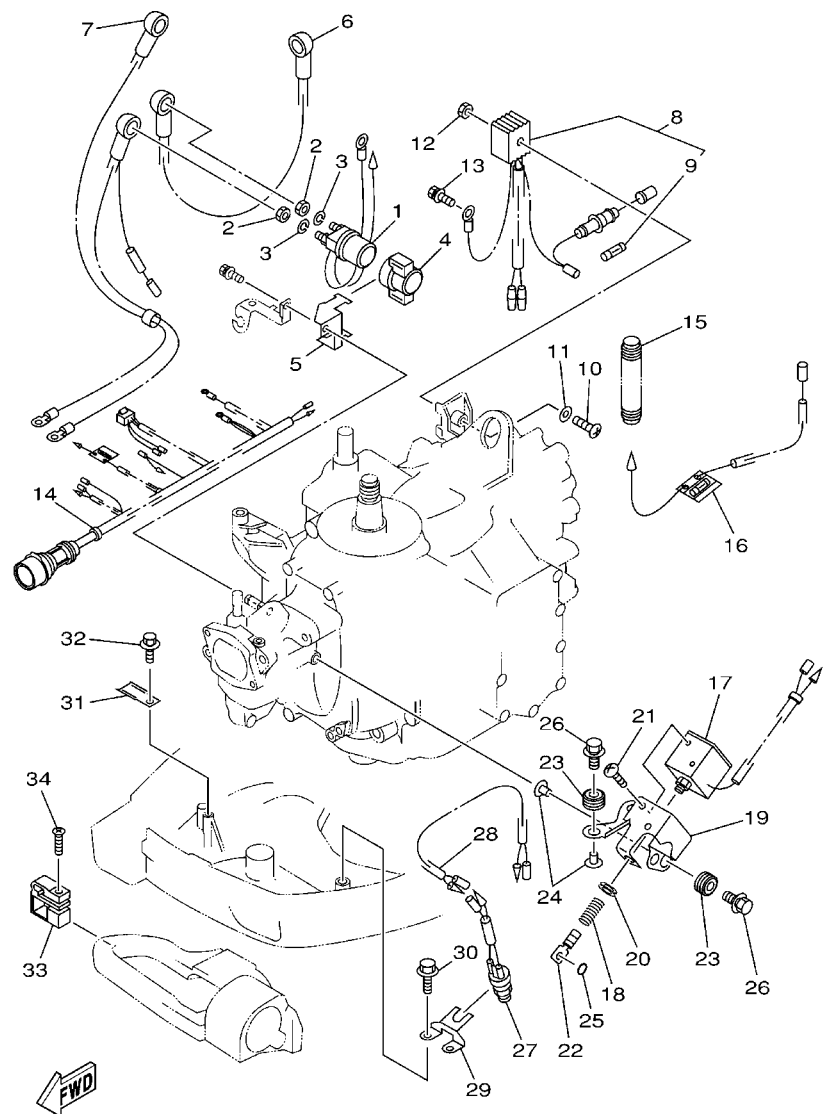


66T0200-1100

| REF. NO. | PART NO. CODIGO Nº | DESCRIPTION DESCRIPCION | MH | WH | W | WT | REMARKS OBSERVACIONES |
|----------|--------------------|--|----|----|---|----|------------------------|
| 1 | 6G1-8194A-10 | RELAY RELE | | 1 | 1 | 1 | |
| 2 | 90170-06M30 | NUT TUERCA | | 2 | 2 | 2 | |
| 3 | 90204-06M00 | WASHER, SPRING ARANDELA DE RESORTE | | 2 | 2 | 2 | |
| 4 | 6G1-81952-00 | HOLDER, RELAY SOSTEN DE RELE | | 1 | 1 | 1 | |
| 5 | 6L2-81945-00 | PLATE, SWITCH FITTING PLACA ACCESORIA DE INTERRUPT. | | 1 | 1 | | |
| 6 | 6E5-82117-01 | WIRE, LEAD CABLE CONDUCTOR | | 1 | 1 | 1 | |
| 7 | 66T-82105-00 | WIRE HARNESS ARNES DE CABLES | | 1 | 1 | 1 | |
| 8 | 6G1-81970-61 | RECTIFIER ASSY RECTIFICADOR COMPLETO | | 1 | 1 | 1 | |
| 9 | 6G1-82151-00 | .FUSE (10A) .FUSIBLE (10A) | | 1 | 1 | 1 | |
| 10 | 97880-05030 | SCREW, PAN HEAD TORNILLO DE CABEZA CON PLANA | | 1 | 1 | 1 | |
| 11 | 92990-05600 | WASHER, PLATE ARANDELA PLANA | | 1 | 1 | 1 | |
| 12 | 95380-05600 | NUT TUERCA | | 1 | 1 | 1 | |
| 13 | 90109-06M80 | BOLT PERNO | | 1 | 1 | 1 | |
| 14 | 66T-82590-00 | WIRE HARNESS ASSY CONJUNTO DE CABLES | | | 1 | | |
| 15 | 66T-83557-00 | TUBE (I.DIA:13MM) ENCHUFE DE ACEITE (I.DIA:13MM) | | 1 | 1 | | |
| 16 | 66T-82115-00 | WIRE, PLUS LEAD CABLE CONDUCTOR POSITIVO | | 1 | | | |
| 17 | 6J4-86111-00 | COIL, SOLENOID CONJUNTO BOBINA SOLENOIDE | | | 1 | 1 | |
| 18 | 6J4-86116-00 | WIRE, PULL ALAMBRE-JALADOR | | | 1 | 1 | |
| 19 | 66T-86112-00 | STAY, SOLENOID SOPORTE SOLENOIDE | | | 1 | 1 | |
| 20 | 90480-10155 | GROMMET TAPON | | | 1 | 1 | |
| 21 | 97880-05008 | SCREW, PAN HEAD TORNILLO DE CABEZA CON PLANA | | 4 | 4 | | |
| 22 | 682-86117-00 | HOOK, WIRE PULL GANCHO JALADOR DE ALAMBRE | | | 1 | 1 | |
| 23 | 90480-10M23 | GROMMET TAPON | | | 3 | 3 | |
| 24 | 90387-06M60 | COLLAR ESPACIADOR | | | 3 | 3 | |
| 25 | 93210-03261 | O-RING ANILLO O | | | 1 | 1 | |
| 26 | 90119-06M88 | BOLT, WITH WASHER TORNILLO CON ARANDELA | | | 3 | 3 | |
| | | | | | | | W-FOR RUS W-FOR RUS |

FIG. 10 ELECTRICAL 2

EQUIPO ELECTRICO 2

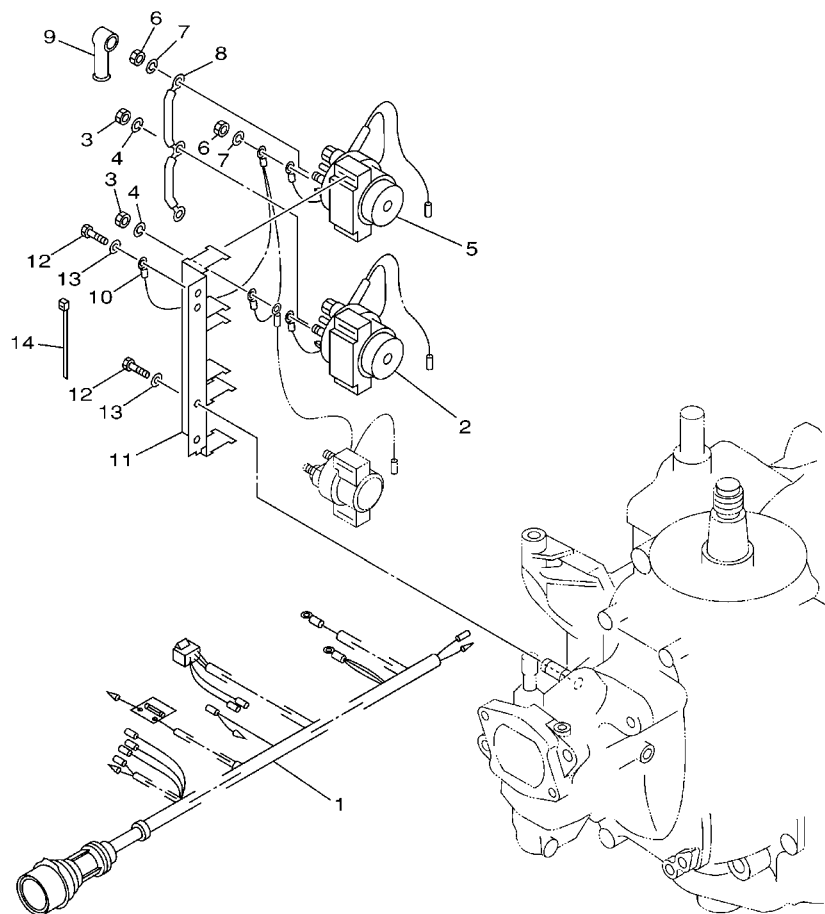


66T0200-1100

| REF. NO. | PART NO. CODIGO Nº | DESCRIPTION DESCRIPCION | MH | WH | W | WT | REMARKS OBSERVACIONES |
|----------|--------------------|---|----|----|---|----|------------------------|
| 27 | 6F5-82540-00 | NEUTRAL SWITCH ASSY INTERRUPTOR NEUTRAL COMPL | | 1 | 1 | | W-FOR RUS W-FOR RUS |
| 28 | 66T-82553-00 | EXTENSION, WIRE LEAD CABLE | | 1 | 1 | | W-FOR RUS W-FOR RUS |
| 29 | 66T-82554-00 | STAY, NEUTRAL SWITCH SOPORTE INTERRUPTOR DE NEUTRAL | | 1 | 1 | | W-FOR RUS W-FOR RUS |
| 30 | 90109-06M86 | BOLT PERNO | | 2 | 2 | | W-FOR RUS W-FOR RUS |
| 31 | 90465-20M31 | CLAMP BRIDA | | 1 | 1 | 1 | |
| 32 | 90109-06M86 | BOLT PERNO | | 1 | 1 | 1 | |
| 33 | 65W-82594-00 | CLAMP GRAMPA | | 1 | | | |
| 34 | 90161-06M00 | SCREW, TAPPING TORNILLO DE CABEZA PLANA | | 1 | | | |
| | | | | | | | |
| | | | | | | | |
| | | | | | | | |
| | | | | | | | |
| | | | | | | | |
| | | | | | | | |
| | | | | | | | |
| | | | | | | | |
| | | | | | | | |

FIG. 11 ELECTRICAL 3

EQUIPO ELECTRICO 3

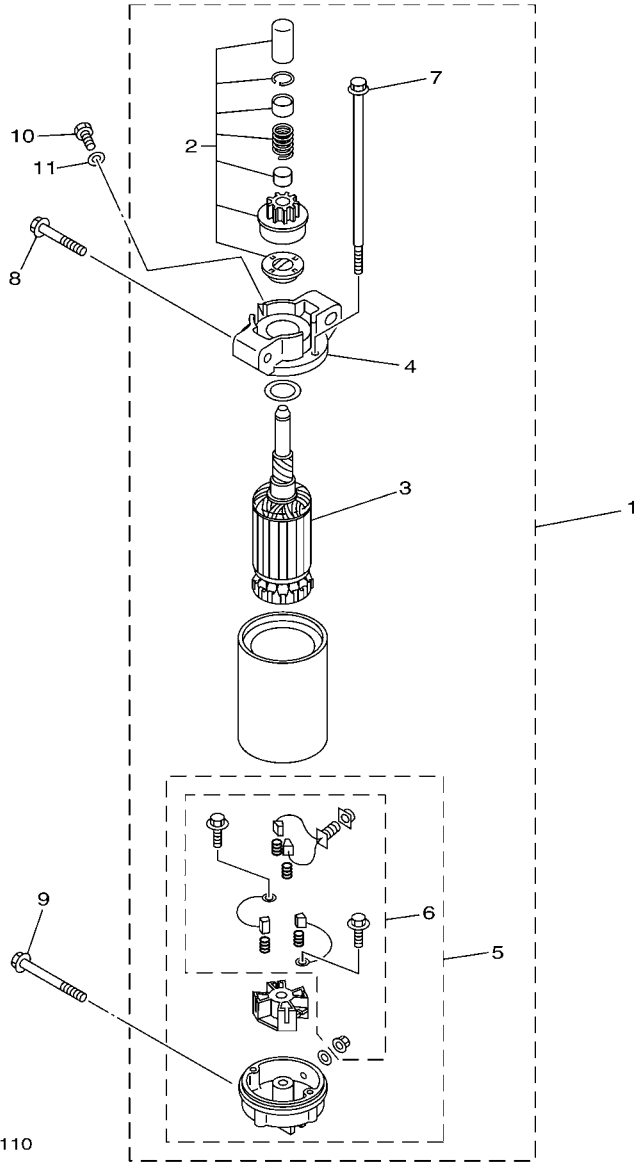


66T0010-1110

| REF. NO. | PART NO. CODIGO Nº | DESCRIPTION DESCRIPCION | MH | WH | W | WT | REMARKS OBSERVACIONES |
|----------|--------------------|---|----|----|---|----|-----------------------|
| 1 | 66T-82590-20 | WIRE HARNESS ASSY (10P) CONJUNTO DE CABLES (10P) | | | | 1 | |
| 2 | 6E5-8195B-01 | RELAY ASSY RELE COMPLETO | | | | 1 | |
| 3 | 90170-06M30 | NUT TUERCA | | | | 3 | |
| 4 | 90204-06M00 | WASHER, SPRING ARANDELA DE RESORTE | | | | 3 | |
| 5 | 6E5-8195C-01 | RELAY ASSY RELE COMPLETO | | | | 1 | |
| 6 | 90170-06M30 | NUT TUERCA | | | | 3 | |
| 7 | 90204-06M00 | WASHER, SPRING ARANDELA DE RESORTE | | | | 3 | |
| 8 | 66T-87149-00 | CONNECTOR CONECTOR | | | | 1 | |
| 9 | 6G5-82119-00 | COVER, LEAD WIRE CUBIERTA DE CABLE CONDUCTOR | | | | 4 | |
| 10 | 6E5-82116-00 | WIRE, MINUS LEAD CABLE CONDUCTOR NEGATIVO | | | | 1 | |
| 11 | 66T-81948-00 | BRACKET SOPORTE | | | | 1 | |
| 12 | 97095-06016 | BOLT PERNO | | | | 2 | |
| 13 | 92995-06600 | WASHER ARANDELA | | | | 2 | |
| 14 | 90465-11M10 | CLAMP BRIDA | | | | 1 | |
| | | | | | | | |
| | | | | | | | |
| | | | | | | | |
| | | | | | | | |

FIG. 12 STARTING MOTOR

MOTOR DE ARRANQUE



66TA664-E110

| REF. NO. | PART NO. CODIGO Nº | DESCRIPTION DESCRIPCION | MH | WH | W | WT | REMARKS OBSERVACIONES |
|----------|--------------------|---|----|----|---|----|-----------------------|
| 1 | 66T-81800-01 | STARTING MOTOR ASSY MOTOR DE ARRANQUE COMPLETO | | 1 | 1 | 1 | |
| 2 | 66T-81857-00 | .PINION STOPPER SET .JUEGO TAPON PINON | | 1 | 1 | 1 | |
| 3 | 66T-81850-01 | .ARMATURE ASSY .INDUCIDO COMPLETO | | 1 | 1 | 1 | |
| 4 | 66T-81830-00 | .FRONT BRACKET ASSY .SOPORTE DELANTERO COMPLETO | | 1 | 1 | 1 | |
| 5 | 66T-81820-00 | .REAR BRACKET ASSY .CUBIERTA TRASERA COMPL | | 1 | 1 | 1 | |
| 6 | 66T-81840-00 | ..BRUSH HOLDER ASSY ..SOSTEN DE ESCOBILLA COMPLETO | | 1 | 1 | 1 | |
| 7 | 66T-81826-00 | .BOLT .PERNO | | 2 | 2 | 2 | |
| 8 | 90119-08M39 | BOLT, WITH WASHER TORNILLO CON ARANDELA | | 2 | 2 | 2 | |
| 9 | 90119-08M52 | BOLT, WITH WASHER TORNILLO CON ARANDELA | | 1 | 1 | 1 | |
| 10 | 97095-08016 | BOLT PERNO | | 1 | 1 | 1 | |
| 11 | 92995-08600 | WASHER ARANDELA | | 1 | 1 | 1 | |
| | | | | | | | |
| | | | | | | | |
| | | | | | | | |
| | | | | | | | |
| | | | | | | | |
| | | | | | | | |
| | | | | | | | |
| | | | | | | | |

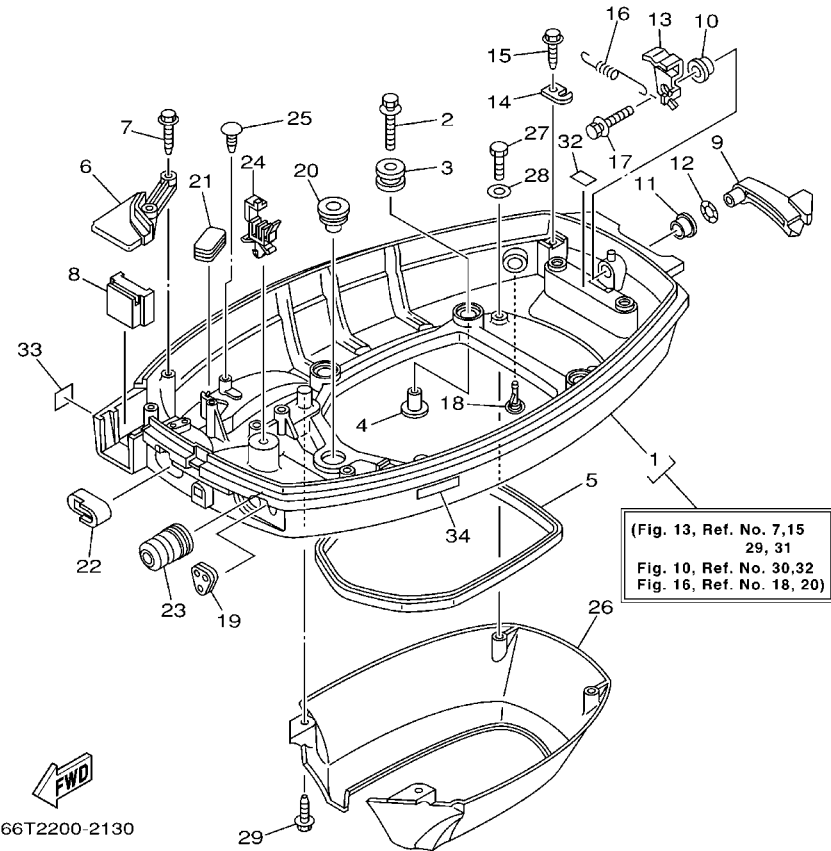
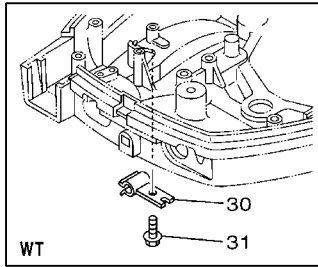
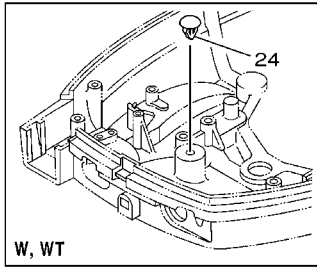


FIG. 13 BOTTOM COWLING

CUBIERTA INFERIOR

| REF. NO. | PART NO. CODIGO Nº | DESCRIPTION DESCRIPCION | MH | WH | W | WT | REMARKS OBSERVACIONES |
|----------|--------------------|---|----|----|---|----|-----------------------|
| 1 | 66T-42710-01-4D | BOTTOM COWLING ASSY CUBIERTA INFERIOR COMPL. | 1 | 1 | 1 | 1 | |
| 2 | 90119-06M61 | BOLT, WITH WASHER TORNILLO CON ARANDELA | 4 | 4 | 4 | 4 | |
| 3 | 90480-09M21 | GROMMET TAPON | 4 | 4 | 4 | 4 | |
| 4 | 90387-06035 | COLLAR ESPACIADOR | 4 | 4 | 4 | 4 | |
| 5 | 66T-42716-00 | RUBBER, SEAL 1 SELLO DE GOMA 1 | 1 | 1 | 1 | 1 | |
| 6 | 66T-42738-00-5B | PLATE, FITTING PLACA DE AJUSTE | 1 | 1 | 1 | 1 | |
| 7 | 90109-06M81 | BOLT PERNO | 2 | 2 | 2 | 2 | |
| 8 | 66T-42725-00 | GROMMET TAPON | 1 | | | | |
| | 66T-42725-10 | GROMMET TAPON | | 1 | | | |
| | 66T-42725-20 | GROMMET TAPON | | | 1 | 1 | |
| 9 | 66T-42815-01-4D | LEVER, CLAMP PALANCA ABRAZADERA | 1 | 1 | 1 | 1 | |
| 10 | 90386-12M37 | BUSH BUJE | 1 | 1 | 1 | 1 | |
| 11 | 90386-12MA2 | BUSH BUJE | 1 | 1 | 1 | 1 | |
| 12 | 90206-12052 | WASHER, WAVE ARANDELA ONDULADA | 1 | 1 | 1 | 1 | |
| 13 | 66T-42816-00 | LEVER, CLAMP PALANCA ABRAZADERA | 1 | 1 | 1 | 1 | |
| 14 | 66T-43144-00 | HOOK, SPRING GANCHO | 1 | 1 | 1 | 1 | |
| 15 | 90109-06M86 | BOLT PERNO | 1 | 1 | 1 | 1 | |
| 16 | 90506-16M34 | SPRING, TENSION RESORTE DE TENSION | 1 | 1 | 1 | 1 | |
| 17 | 90119-06M73 | BOLT, WITH WASHER TORNILLO CON ARANDELA | 1 | 1 | 1 | 1 | |
| 18 | 6E5-44391-00 | NIPPLE, HOSE NIPLE MANGUERA | 1 | 1 | 1 | 1 | |
| 19 | 65W-26326-00 | GROMMET TAPON PROTECTOR | 1 | 1 | | | |
| | 65W-26326-10 | GROMMET TAPON PROTECTOR | | | 1 | 1 | |
| 20 | 676-42727-00 | GROMMET TAPON | 1 | 1 | 1 | 1 | |
| 21 | 6H4-42726-00 | GROMMET TAPON | 1 | 1 | 1 | | |
| | 6H1-42726-10 | GROMMET TAPON | | | | 1 | |
| 22 | 66T-24329-00 | SEAL SELLO | 1 | 1 | 1 | 1 | |
| 23 | 65W-42726-00 | GROMMET TAPON | 1 | 1 | | | |

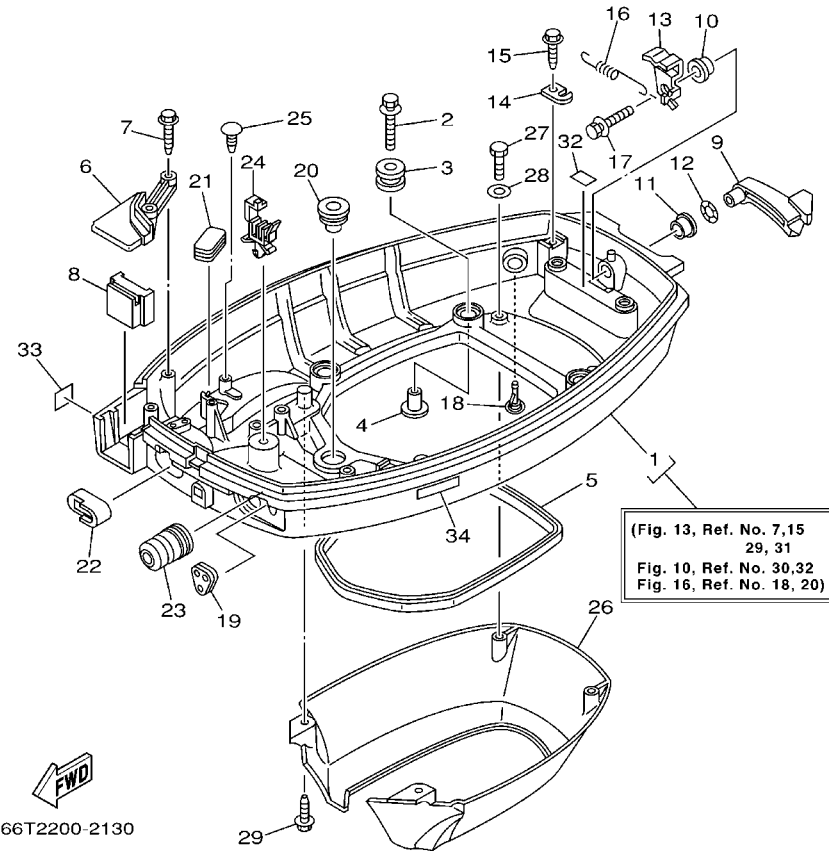
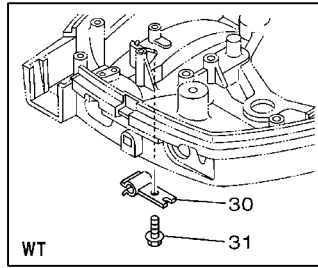
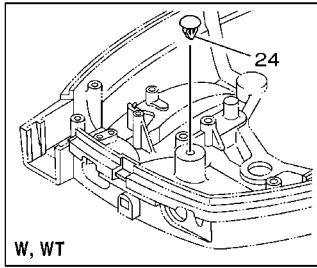


FIG. 13 BOTTOM COWLING

CUBIERTA INFERIOR

| REF. NO. | PART NO. CODIGO Nº | DESCRIPTION DESCRIPCION | MH | WH | W | WT | REMARKS OBSERVACIONES |
|----------|--------------------|--|----|----|---|----|------------------------------------|
| 23 | 65W-42726-10 | GROMMET TAPON | | | 1 | 1 | |
| 24 | 90465-25M57 | CLAMP BRIDA | 1 | 1 | | | |
| | 90338-07M00 | PLUG TAPON | | | 1 | 1 | |
| 25 | 90338-05M03 | PLUG TAPON | 1 | 1 | 1 | | |
| 26 | 66T-42741-00 | APRON MANDIL | 1 | 1 | 1 | 1 | |
| 27 | 97095-06016 | BOLT PERNO | 2 | 2 | 2 | 2 | |
| 28 | 92995-06600 | WASHER ARANDELA | 2 | 2 | 2 | 2 | |
| 29 | 90109-06M80 | BOLT PERNO | 2 | 2 | 2 | 2 | |
| 30 | 90464-09M49 | CLAMP BRIDA | | | | 1 | |
| 31 | 90109-06M80 | BOLT PERNO | | | | 1 | |
| 32 | 664-42791-00 | MARK 1 MARCA 1 | 1 | 1 | 1 | 1 | |
| | 664-42791-10 | MARK 1 MARCA 1 | 1 | 1 | 1 | 1 | FOR CAR(CE),CHN FOR CAR(CE),CHN |
| 33 | 6A1-28176-00 | LABEL, CAUTION ETIQUETA DE PRECAUCION | 1 | 1 | | | FOR CAR(CE) FOR CAR(CE) |
| 34 | 6E3-8257H-00 | PLATE, MARK PLACA DE MARCA | 1 | 1 | | | FOR CAR(CE) FOR CAR(CE) |

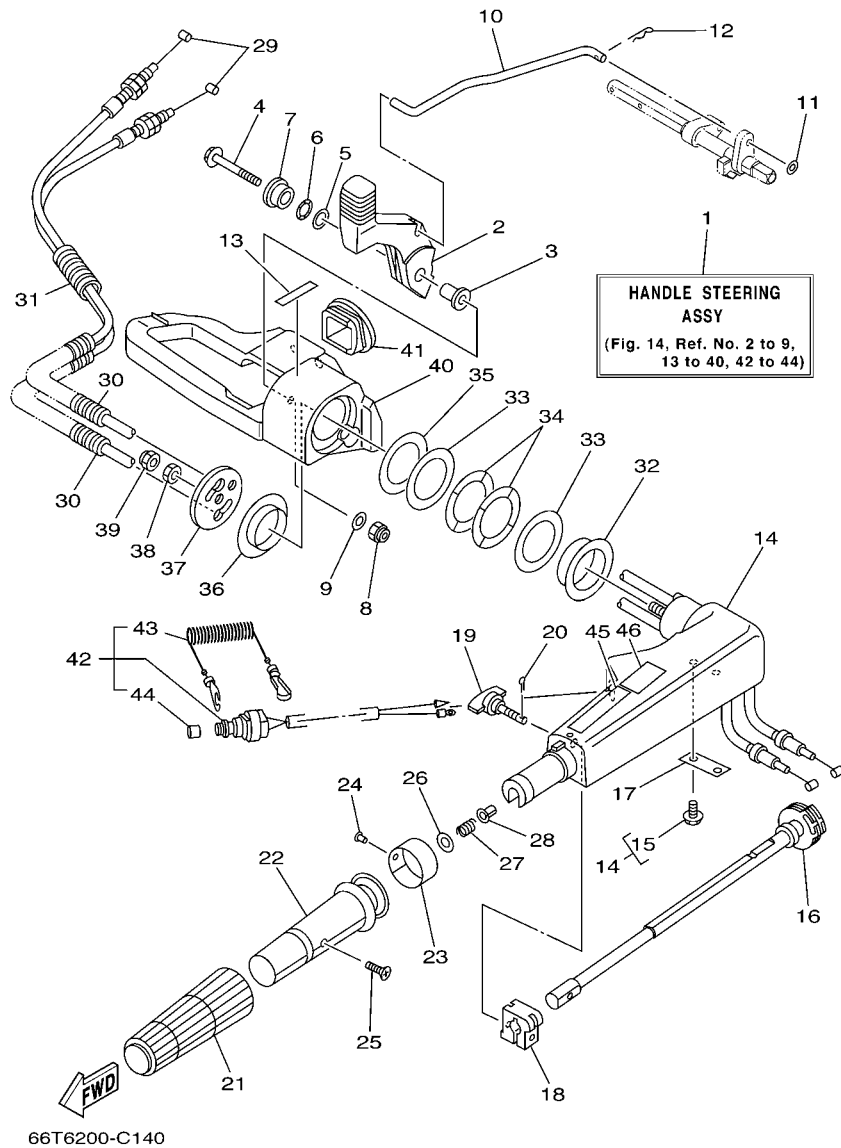
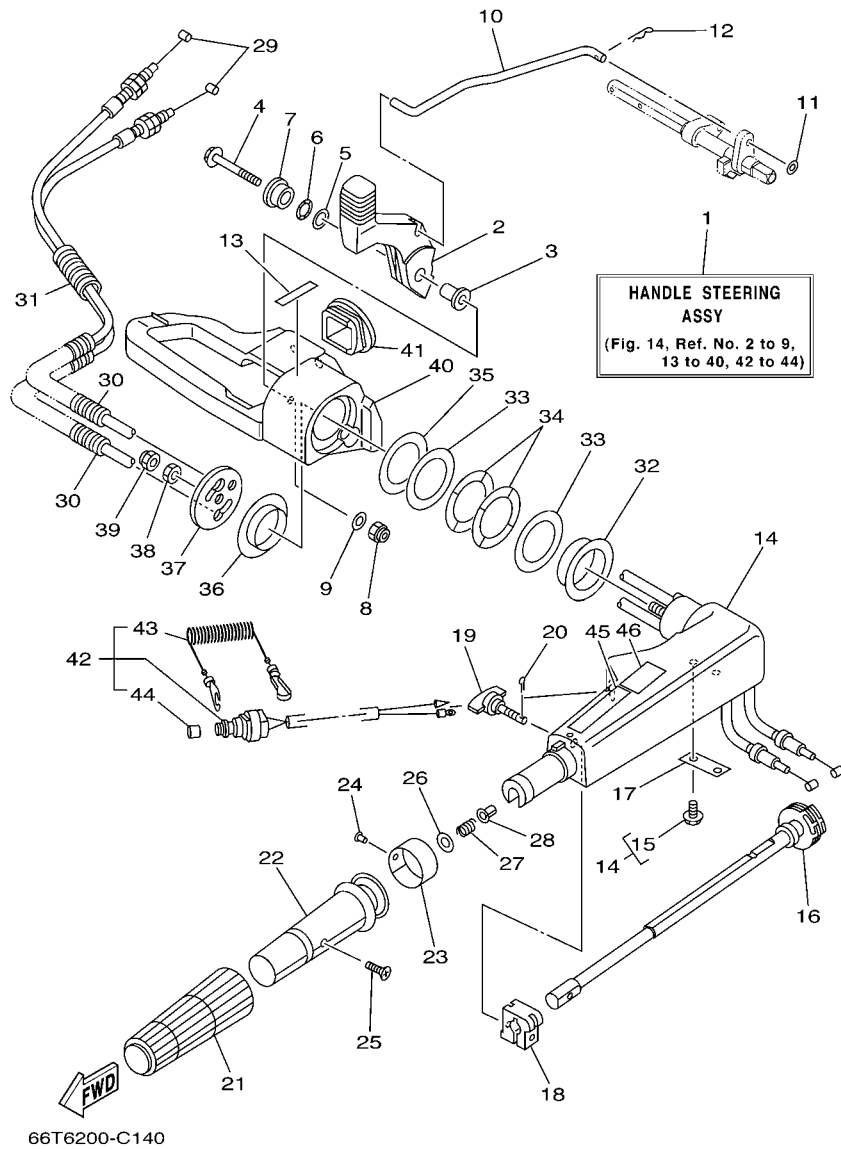


FIG. 14 STEERING

DIRECCION

| REF. NO. | PART NO. CODIGO Nº | DESCRIPTION DESCRIPCION | MH | WH | W | WT | REMARKS OBSERVACIONES |
|----------|--------------------|---|----|----|---|----|-----------------------|
| 1 | 66T-W0084-02-4D | HANDLE STEERING ASSY CONJUNTO DE MANIJA | 1 | 1 | | | |
| 2 | 66T-44111-02 | HANDLE, GEAR SHIFT MANIJA DE CAMBIO DE MARCHAS | 1 | 1 | | | |
| 3 | 90387-06M86 | COLLAR ESPACIADOR | 1 | 1 | | | |
| 4 | 97595-06550 | BOLT, WITH WASHER PERNO CON ARANDELA | 1 | 1 | | | |
| 5 | 90201-12M07 | WASHER, PLATE ARANDELA PLANA | 1 | 1 | | | |
| 6 | 90206-12052 | WASHER, WAVE ARANDELA ONDULADA | 1 | 1 | | | |
| 7 | 66T-42123-00 | BOLT, HANDLE JOINT TORNILLO CONEXION DE LA MANIJA | 1 | 1 | | | |
| 8 | 95780-06300 | NUT, FLANGE TUERCA | 1 | 1 | | | |
| 9 | 92995-06200 | WASHER ARANDELA | 1 | 1 | | | |
| 10 | 66T-44124-00 | LINK, SHIFT ROD ESLABON | 1 | 1 | | | |
| 11 | 92990-06200 | WASHER, PLAIN ARANDELA PLANA | 1 | 1 | | | |
| 12 | 90468-18008 | CLIP PRESILLA | 1 | 1 | | | |
| 13 | 6E0-44191-11 | INDICATOR, SHIFT INDICADOR DE CAMBIOS | 1 | 1 | | | |
| 14 | 65W-42101-01-4D | HANDLE, STEERING MANIJA DE DIRECCION | 1 | 1 | | | |
| 15 | 90109-06M86 | .BOLT .PERNO | 2 | 2 | | | |
| 16 | 65W-42138-00 | LEVER, THROTTLE PLANCA DE ACELERACION | 1 | 1 | | | |
| 17 | 65W-42159-00 | STAY SOPORTE | 1 | 1 | | | |
| 18 | 6G1-42126-00 | FRICTION, STEERING HANDLE GRIP FRICCION DE MANGO DIRECCION | 1 | 1 | | | |
| 19 | 65W-42125-00 | BOLT, FRICTION ADJUSTING TORNILLO FRICCION ADJUSTA | 1 | 1 | | | |
| 20 | 91490-20010 | PIN, COTTER CHAVETA | 1 | 1 | | | |
| 21 | 6F6-42177-A0 | RUBBER, HANDLE HULE DE MANIJA | 1 | 1 | | | |
| 22 | 664-42119-00 | GRIP, STEERING HANDLE MANGO, MANIJA DE DIRRECCION | 1 | 1 | | | |
| 23 | 6G1-42137-10 | INDICATOR, THROTTLE INDICADOR ACELERADOR | 1 | 1 | | | |
| 24 | 90269-02M09 | RIVET REMACHE | 1 | 1 | | | |
| 25 | 90149-05M13 | SCREW TORNILLO DE REGLAJE | 1 | 1 | | | |
| 26 | 92903-10600 | WASHER, PLATE RONDANA SENCILLA | 1 | 1 | | | |
| 27 | 90501-23215 | SPRING, COMPRESSION RESORTE DE COMPRESION | 1 | 1 | | | |



66T6200-C140

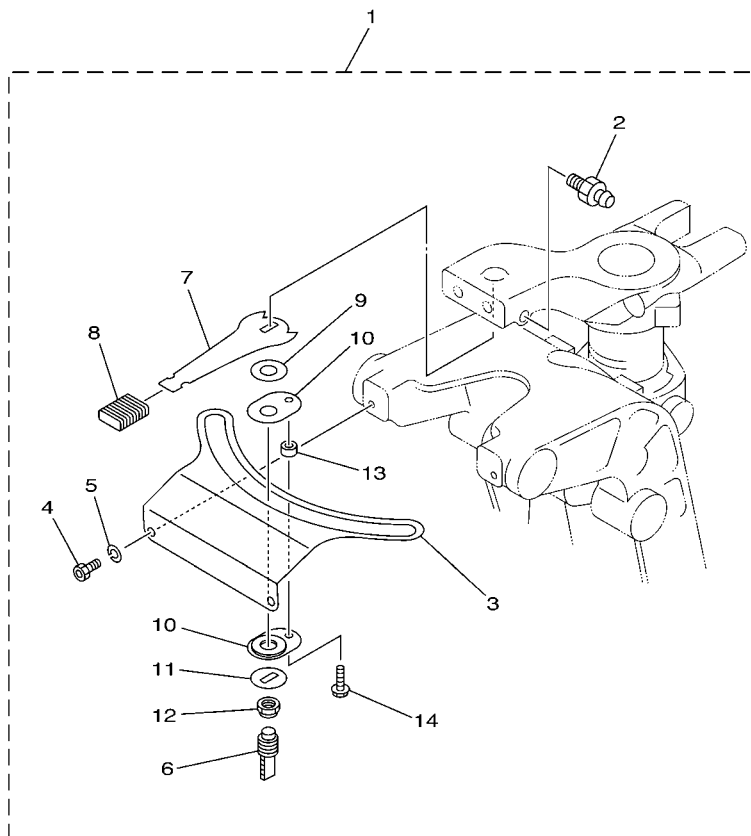
FIG. 14 STEERING

DIRECCION

| REF. NO. | PART NO. CODIGO Nº | DESCRIPTION DESCRIPCION | MH | WH | W | WT | REMARKS OBSERVACIONES |
|----------|--------------------|---|----|----|---|----|-----------------------|
| 28 | 90386-08032 | BUSH BUJE | 1 | 1 | | | |
| 29 | 66T-26301-00 | THROTTLE CABLE ASSY CABLE DE ACELERADOR COMPLETO | 2 | 2 | | | |
| 30 | 90446-10M87 | HOSE (L75) TUBO (L75) | 2 | 2 | | | |
| 31 | 90446-10M86 | HOSE (L140) TUBO (L140) | 2 | 2 | | | |
| 32 | 90386-40MA0 | BUSH BUJE | 1 | 1 | | | |
| 33 | 90201-43M00 | WASHER, PLATE ARANDELA PLANA | 2 | 2 | | | |
| 34 | 90206-43M22 | WASHER, WAVE ARANDELA ONDULADA | 2 | 2 | | | |
| 35 | 90202-43M57 | WASHER, PLATE ARANDELA DE PLANA | 1 | 1 | | | |
| 36 | 90386-40M99 | BUSH BUJE | 1 | 1 | | | |
| 37 | 65W-42131-01 | COVER, HANDLE STEERING CUBIERTA MANIJA DIRRECCION | 1 | 1 | | | |
| 38 | 95380-10700 | NUT TUERCA | 1 | 1 | | | |
| 39 | 95780-10300 | NUT, FLANGE TUERCA | 1 | 1 | | | |
| 40 | 65W-42121-01-4D | BRACKET SOPORTE | 1 | 1 | | | |
| 41 | 66T-41273-00 | GROMMET TAPON PROTECTOR | 1 | 1 | | | |
| 42 | 66T-82575-01 | ENGINE STOP SWITCH ASSY INTERRUPTOR DE PARADA COMPL | 1 | 1 | | | |
| 43 | 682-82556-00 | .LANYARD, STOP SWITCH .RETENER | 1 | 1 | | | |
| 44 | 689-8257Y-00 | .CAP .CASQUILLO | 1 | 1 | | | |
| 45 | 6E0-83627-41 | LABEL, CAUTION 7 ETIQUETA DE PRECAUCION 7 | 1 | 1 | | | |
| 46 | 61T-83627-80 | LABEL, CAUTION 7 ETIQUETA DE PRECAUCION 7 | 1 | | | | FOR RUS FOR RUS |

FIG. 15 STEERING FRICTION

FRICCION DE DIRECCION



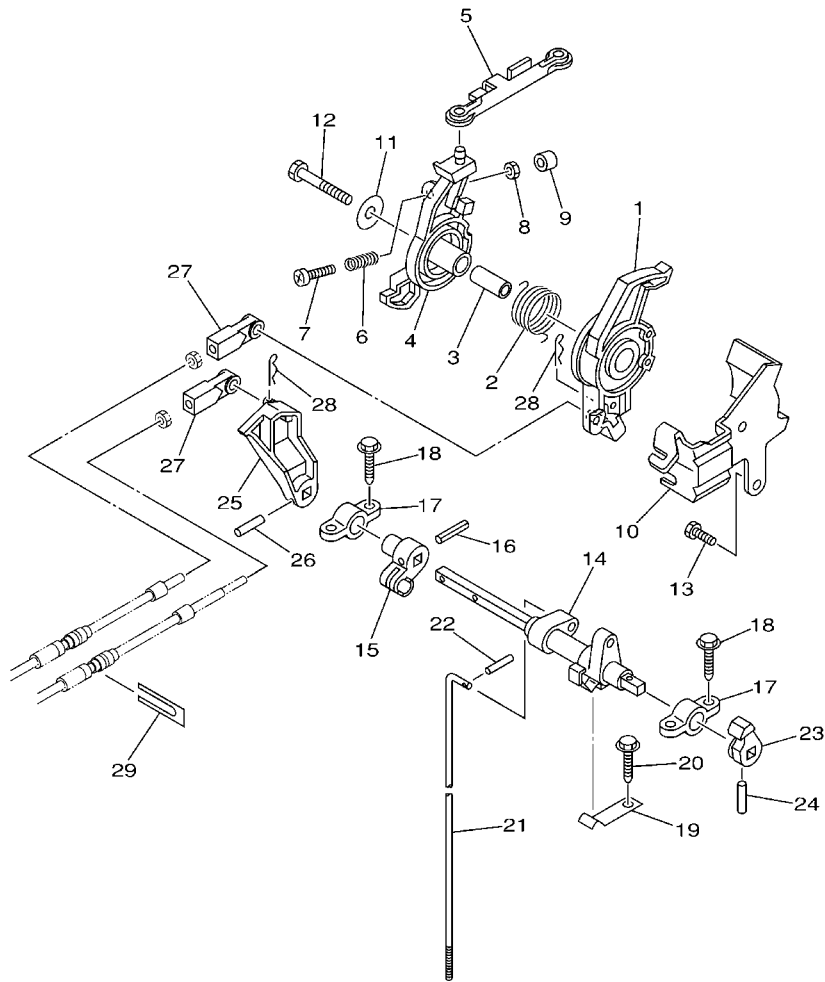
| REF. NO. | PART NO. CODIGO Nº | DESCRIPTION DESCRIPCION | MH | WH | W | WT | REMARKS OBSERVACIONES |
|----------|--------------------|---|----|----|---|----|-----------------------|
| 1 | 65W-42508-00 | STEERING FRICTION ASSY DIRECCION FRICCION COMP. | 1 | | | | |
| 2 | 93700-06M03 | .NIPPLE, GREASE .BOQUILLA DE ENGRASAR | 1 | | | | |
| 3 | 65W-42527-00 | .PLATE, FRICTION .PLACA DE FRICCION | 1 | | | | |
| 4 | 90109-06M88 | .BOLT .PERNO | 2 | | | | |
| 5 | 92990-06100 | .WASHER, SPRING .ARANDELA PLANA | 2 | | | | |
| 6 | 65W-42562-00 | .SHAFT, STEERING LOCK .EJE, CERRADURA DE DIRECCION | 1 | | | | |
| 7 | 65W-42561-00 | .KNOB, STEERING LOCK .PERILLA | 1 | | | | |
| 8 | 689-43633-00 | .COVER, TILT LEVER .CUBIERTA PALANCA DE INCLINAC | 1 | | | | |
| 9 | 90202-10M56 | .WASHER, PLATE .ARANDELA DE PLANA | 1 | | | | |
| 10 | 65W-42528-00 | .PLATE, FRICTION .PIEZA DE FRICCION | 2 | | | | |
| 11 | 90209-10M26 | .WASHER .ARANDELA DE SEPARACION | 1 | | | | |
| 12 | 90185-10M14 | .NUT, SELF-LOCKING .TUERCA AUTOBLOCANTE | 1 | | | | |
| 13 | 90387-05M11 | .COLLAR .ESPACIADOR | 1 | | | | |
| 14 | 90109-05M89 | .BOLT .PERNO | 1 | | | | |



65W1010-2180

FIG. 16 CONTROL

CONTROL



| REF. NO. | PART NO. CODIGO Nº | DESCRIPTION DESCRIPCION | MH | WH | W | WT | REMARKS OBSERVACIONES |
|----------|--------------------|--|----|----|---|----|--|
| 1 | 66T-41638-00 | PULLEY POLEA | 1 | 1 | 1 | 1 | |
| 2 | 66T-42167-00 | SPRING 1 RESORTE 1 | 1 | 1 | 1 | 1 | |
| 3 | 90387-08M16 | COLLAR ESPACIADOR | 1 | 1 | 1 | 1 | |
| 4 | 66T-41631-01 | LEVER, MAGNETO CONTROL PALANCA DE CONTROL DE MAGNETO | 1 | 1 | 1 | 1 | |
| 5 | 66T-41237-00 | JOINT, LINK CONECTOR | 1 | 1 | 1 | 1 | |
| 6 | 90501-10M84 | SPRING, COMPRESSION RESORTE DE COMPRESION | 1 | 1 | 1 | 1 | |
| 7 | 97880-06035 | SCREW, PAN HEAD TORNILLO DE CABEZA CON PLANA | 1 | 1 | 1 | 1 | |
| 8 | 95380-06700 | NUT TUERCA | 1 | 1 | 1 | 1 | |
| 9 | 688-44194-00 | CAP TAPA | 1 | 1 | 1 | 1 | |
| 10 | 66T-14497-00 | STAY, THROTTLE WIRE SOPORTE VALVULA DE OBTURACION | 1 | 1 | 1 | 1 | |
| 11 | 90201-08M54 | WASHER, PLATE ARANDELA PLANA | 1 | 1 | 1 | 1 | |
| 12 | 97095-08045 | BOLT PERNO | 1 | 1 | 1 | 1 | |
| 13 | 97095-06014 | BOLT PERNO | 1 | 1 | 1 | 1 | |
| 14 | 66T-44121-00 | LEVER, SHIFT ROD PALANCA VARILLA CAMBIOS | 1 | 1 | 1 | 1 | |
| 15 | 66M-44122-00 | BUSHING, SHIFT ROD LEVER BUJE PALANCA VARILLA DE CAMBIO | 1 | 1 | 1 | 1 | |
| 16 | 90254-03M05 | PIN, SPRING PASADOR DE TIPO A RESORTE | 1 | 1 | 1 | 1 | |
| 17 | 6F5-41662-00 | BRACKET SOPORTE | 2 | 2 | 2 | 2 | |
| 18 | 90109-06M81 | BOLT PERNO | 4 | 4 | 4 | 4 | |
| 19 | 682-44116-01 | SPRING RESORTE | 1 | 1 | 1 | 1 | |
| 20 | 90109-06M86 | BOLT PERNO | 1 | 1 | 1 | 1 | |
| 21 | 66T-44143-00 | ROD, SHIFT VARILLA DE CAMBIO | 1 | | 1 | | S(16.7") S(16.7") |
| | 66T-44143-10 | ROD, SHIFT VARILLA DE CAMBIO | 1 | 1 | 1 | 1 | L(21.7"),X(25.6") L(21.7"),X(25.6") |
| 22 | 91490-16012 | PIN, COTTER CHAVETA | 1 | 1 | 1 | 1 | |
| 23 | 65W-44173-00 | LEVER, SHIFT CONTROL PALANCA CONTROL CAMBIOS | | 1 | 1 | | |
| 24 | 90254-03M04 | PIN, SPRING PASADOR DE TIPO A RESORTE | | 1 | 1 | | |
| 25 | 66T-44125-01 | LEVER, SHIFT ROD PALANCA VARILLA CAMBIOS | 1 | 1 | 1 | 1 | |
| 26 | 90254-03M04 | PIN, SPRING PASADOR DE TIPO A RESORTE | 1 | 1 | 1 | 1 | |


66T0010-1160

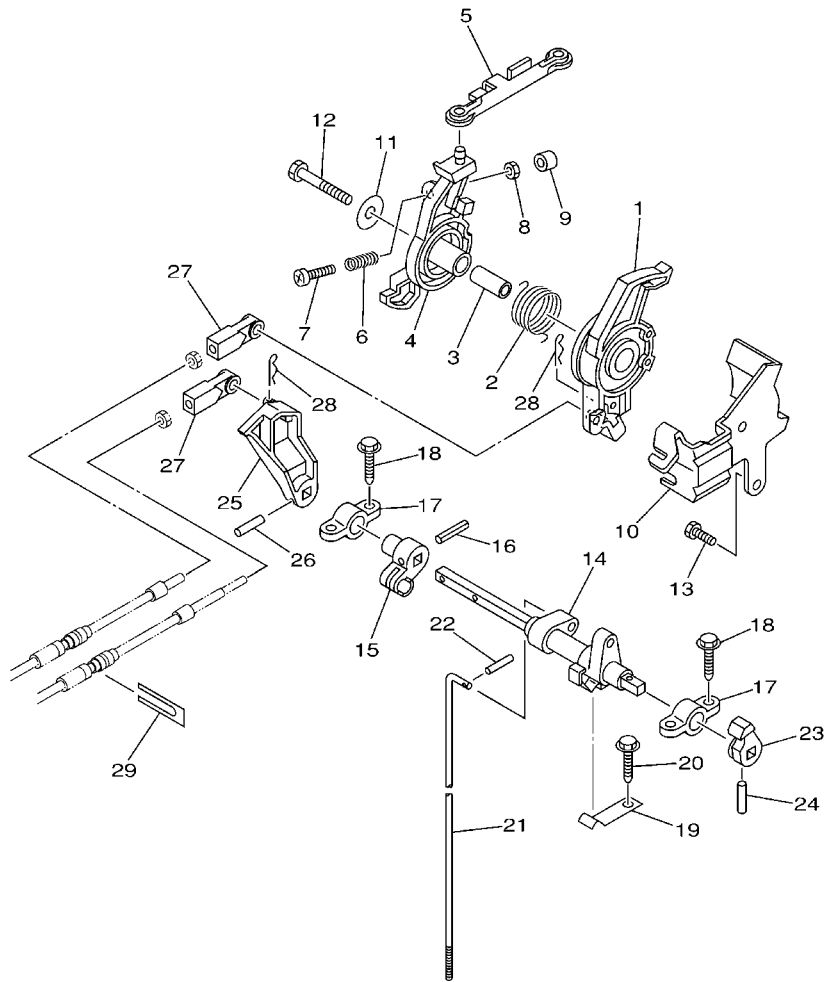


FIG. 16 CONTROL

CONTROL

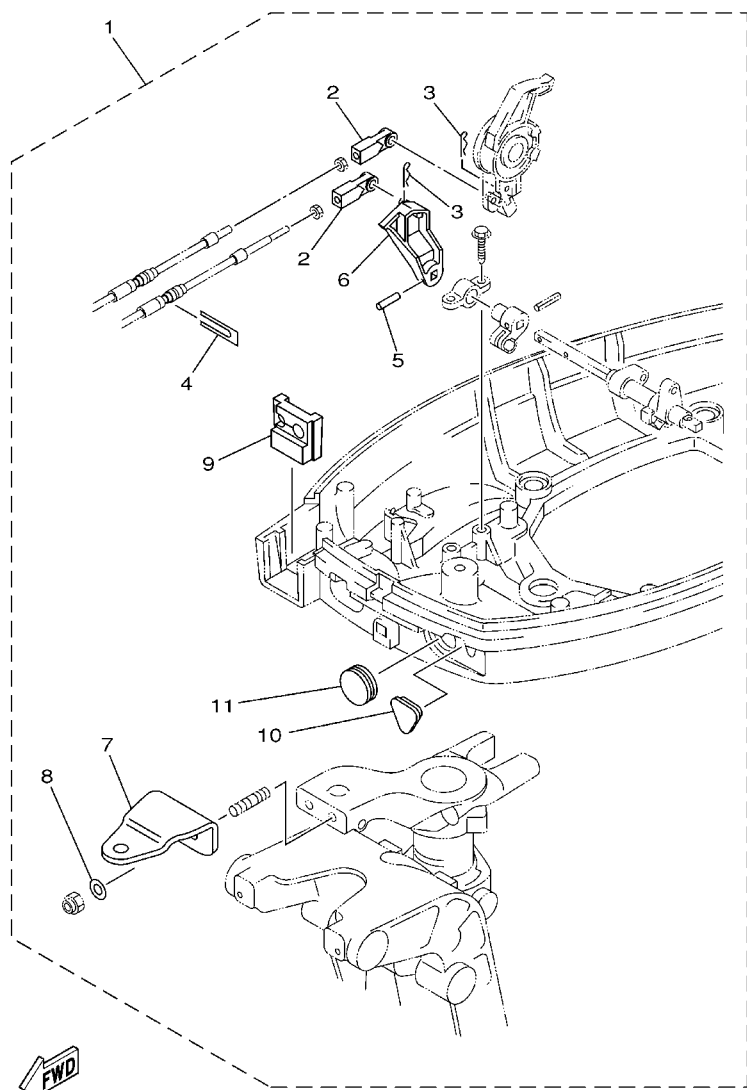
| REF. NO. | PART NO. CODIGO Nº | DESCRIPTION DESCRIPCION | MH | WH | W | WT | REMARKS OBSERVACIONES |
|----------|--------------------|---|----|----|---|----|-----------------------|
| 27 | 663-48344-00 | CABLE END, REMOTE CONTROL BASE CONTROL | | | 2 | 2 | |
| 28 | 90468-18008 | CLIP PRESILLA | | | 2 | 2 | |
| 29 | 6H3-48538-00 | CLAMP, CABLE 1 GRAMPA DE CABLE | | | 1 | 1 | |
| | | | | | | | |
| | | | | | | | |
| | | | | | | | |
| | | | | | | | |
| | | | | | | | |
| | | | | | | | |
| | | | | | | | |



66T0010-1160

FIG. 17 REMO CON ATTACHMENT

CONJUNTO ADITAMENTO

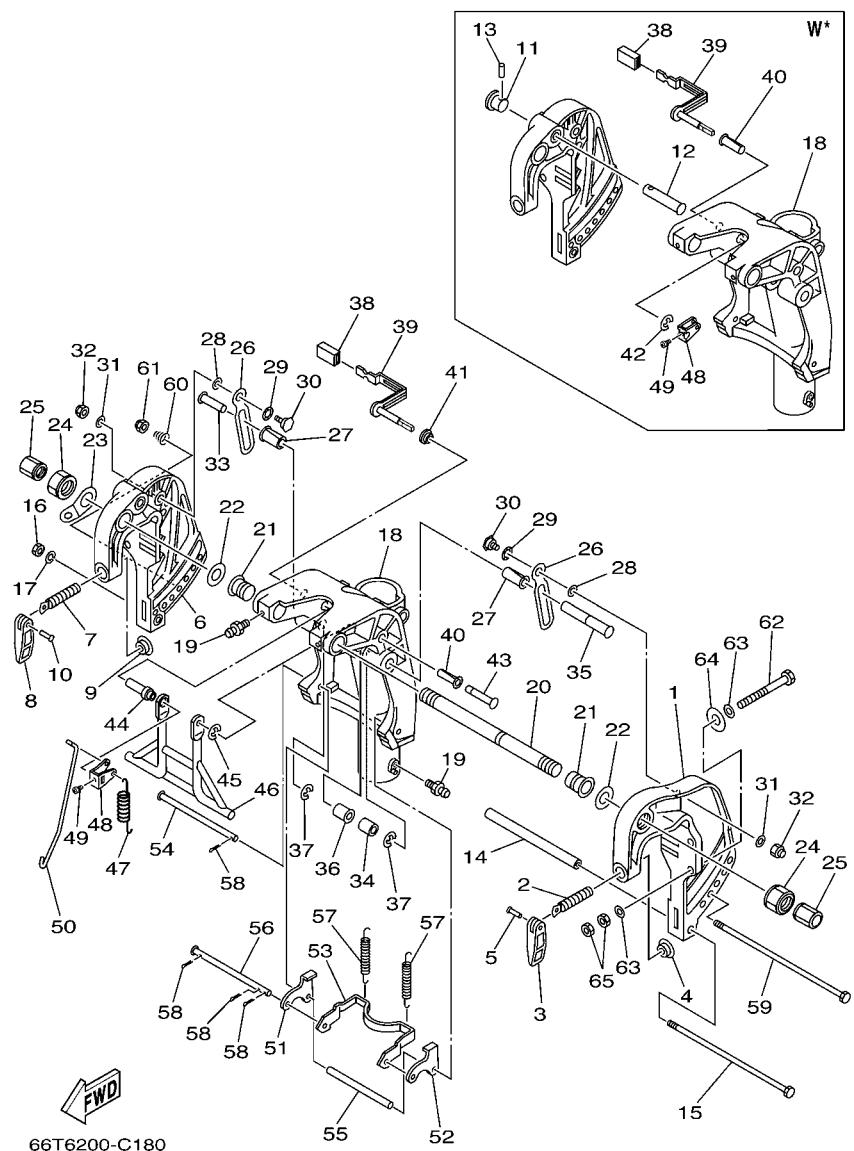


66T0010-1170

| REF. NO. | PART NO. CODIGO Nº | DESCRIPTION DESCRIPCION | MH | WH | W | WT | REMARKS OBSERVACIONES |
|----------|--------------------|--|----|----|---|----|-----------------------|
| 1 | 66T-48501-01 | REMOTE CONT. ATTACHMENT ASSY. CONJUNTO ADITAMENTO | 1 | 1 | | | AP AP |
| 2 | 663-48344-00 | .CABLE END, REMOTE CONTROL .BASE CONTROL | 2 | 2 | | | |
| 3 | 90468-18008 | .CLIP .PRESILLA | 2 | 2 | | | |
| 4 | 6H3-48538-00 | .CLAMP, CABLE 1 .GRAMPA DE CABLE | 1 | 1 | | | |
| 5 | 90254-03M04 | .PIN, SPRING .PASADOR DE TIPO A RESORTE | 1 | 1 | | | |
| 6 | 66T-44125-01 | .LEVER, SHIFT ROD .PALANCA VARILLA CAMBIOS | 1 | 1 | | | |
| 7 | 65W-48511-00 | .HOOK, STEERING .GANCHO DIRECCION | 1 | 1 | | | |
| 8 | 90201-10120 | .WASHER, PLATE .ARANDELA PLANA | 2 | 2 | | | |
| 9 | 66T-42725-30 | .GROMMET .TAPON | 1 | 1 | | | |
| 10 | 65W-26326-10 | .GROMMET .TAPON PROTECTOR | 1 | 1 | | | |
| 11 | 65W-42726-10 | .GROMMET .TAPON | 1 | 1 | | | |

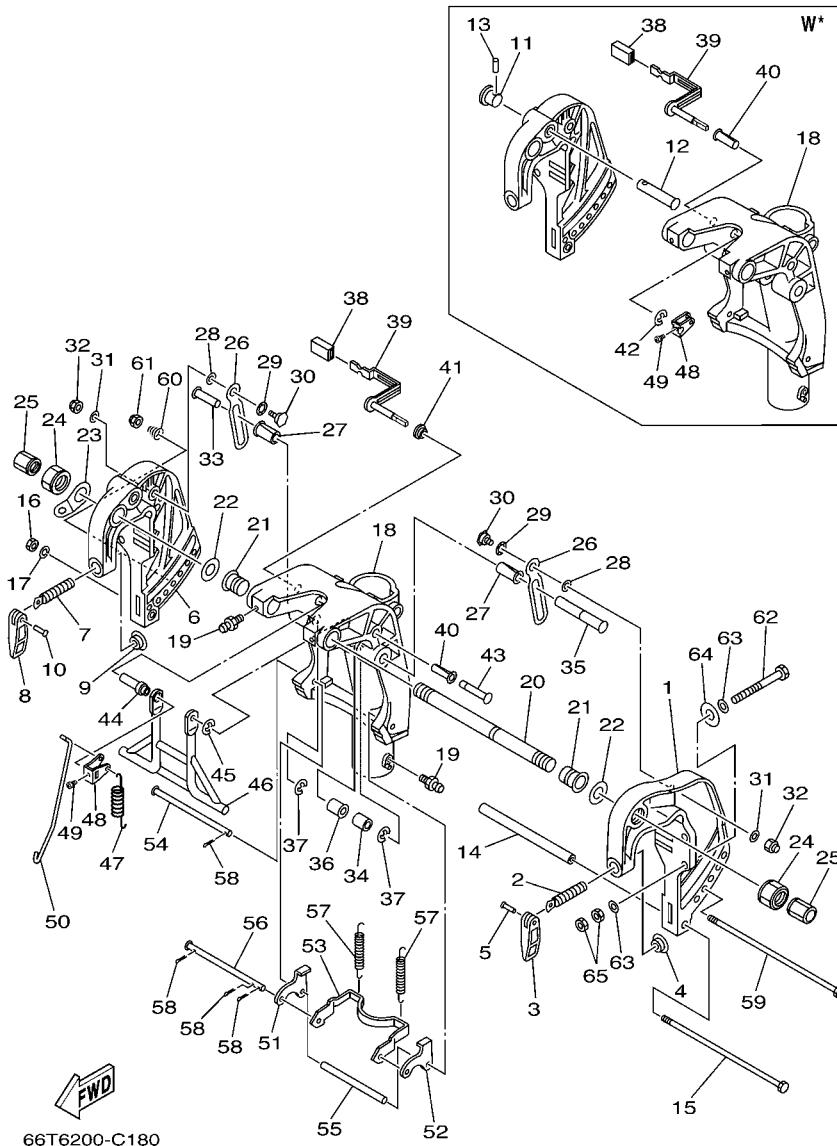
FIG. 18 BRACKET 1

SOPORTE 1



D*:FOR SHALLOW WATER DRIVE
 D*:PARA NAVEGACION EN AGUAS POCO PROFUNDAS
 W*:WITHOUT SHALLOW WATER DRIVE
 W*:SIN NAVEGACION EN AGUAS POCO PROFUNDAS

| REF. NO. | PART NO. CODIGO Nº | DESCRIPTION DESCRIPCION | MH | WH | W | WT | REMARKS OBSERVACIONES |
|----------|--------------------|---|----|----|---|----|--|
| 1 | 66T-43111-01-4D | BRACKET, CLAMP 1 SOPORTE DE LA ABRAZADERA 1 | 1 | 1 | 1 | | |
| 2 | 90149-14M12 | SCREW TORNILLO DE REGLAJE | 1 | 1 | 1 | | |
| 3 | 663-43118-01-4D | HANDLE, TRANSOM CLAMP MANIJA DE LA ABRAZADERA DEL ES | 1 | 1 | 1 | | |
| 4 | 648-43114-01 | PAD, TRANSOM CLAMP ARANDELA DE ABRAZADERA | 1 | 1 | 1 | | |
| 5 | 90243-04007 | PIN PASADOR | 1 | 1 | 1 | | |
| 6 | 66T-43112-01-4D | BRACKET, CLAMP 2 SOPORTE DE LA ABRAZADERA 2 | 1 | 1 | 1 | | |
| 7 | 90149-14M12 | SCREW TORNILLO DE REGLAJE | 1 | 1 | 1 | | |
| 8 | 663-43118-01-4D | HANDLE, TRANSOM CLAMP MANIJA DE LA ABRAZADERA DEL ES | 1 | 1 | 1 | | |
| 9 | 648-43114-01 | PAD, TRANSOM CLAMP ARANDELA DE ABRAZADERA | 1 | 1 | 1 | | |
| 10 | 90243-04007 | PIN PASADOR | 1 | 1 | 1 | | |
| 11 | 65W-43192-00 | KNOB, STOPPER PERILLA DE TOPE | 1 | 1 | 1 | | W* W* |
| 12 | 65W-43191-00 | SHAFT, STOPPER EJE DE TOPE | 1 | 1 | 1 | | W* W* |
| 13 | 91690-30018 | PIN, SPRING PASADOR DE RESORTE | 1 | 1 | 1 | | W* W* |
| 14 | 90387-08M29 | COLLAR ESPACIADOR | 1 | 1 | 1 | | |
| 15 | 90101-08M76 | BOLT TORNILLO | 1 | 1 | 1 | | |
| 16 | 95380-08600 | NUT TUERCA | 1 | 1 | 1 | | |
| 17 | 92990-08100 | WASHER, SPRING ARANDELA PLANA | 1 | 1 | 1 | | |
| 18 | 65W-43311-00-4D | BRACKET, SWIVEL 1 SOPORTE GIRATORIO 1 | 1 | | 1 | | S(16.7") S(16.7") |
| | 65W-43311-10-4D | BRACKET, SWIVEL 1 SOPORTE GIRATORIO 1 | 1 | 1 | 1 | | L(21.7"),X(25.6") L(21.7"),X(25.6") |
| 19 | 93700-06M03 | NIPPLE, GREASE BOQUILLA DE ENGRASAR | 1 | | | | WITH STEERING FRICTION WITH STEERING FRICTION |
| | 93700-06M03 | NIPPLE, GREASE BOQUILLA DE ENGRASAR | 3 | 3 | 3 | | |
| 20 | 63D-43131-01 | BOLT, CLAMP BRACKET TORNILLO DE ABRAZADERA DEL SOP | 1 | 1 | 1 | | |
| 21 | 90386-22M15 | BUSH BUJE | 2 | 2 | 2 | | |
| 22 | 90201-22M03 | WASHER, PLATE ARANDELA PLANA | 2 | 2 | 2 | | |
| 23 | 6J8-43113-01 | PLATE, CLAMP BRACKET PLACA ABRAZADERA SOPORTE | 1 | 1 | 1 | | |
| 24 | 90185-22043 | NUT, SELF-LOCKING TUERCA AUTOBLOCANTE | 2 | 2 | 2 | | |
| 25 | 6G5-43145-01 | CAP, CLAMP BRACKET TAPA | 2 | 2 | 2 | | |



D*:FOR SHALLOW WATER DRIVE
 D*:PARA NAVEGACION EN AGUAS POCO PROFUNDAS
 W*:WITHOUT SHALLOW WATER DRIVE
 W*:SIN NAVEGACION EN AGUAS POCO PROFUNDAS

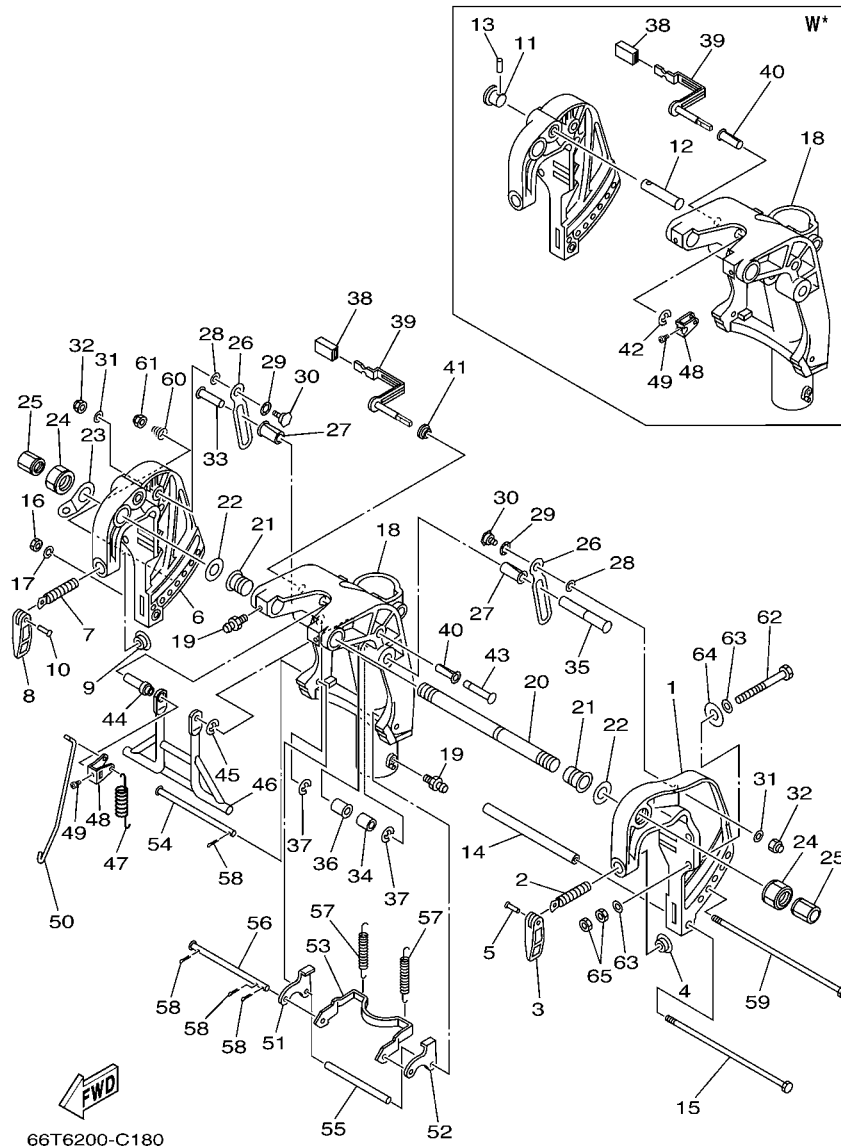
FIG. 18 BRACKET 1

SOPORTE 1

| REF. NO. | PART NO. CODIGO Nº | DESCRIPTION DESCRIPCION | MH | WH | W | WT | REMARKS OBSERVACIONES |
|----------|--------------------|---|----|----|---|----|-----------------------|
| 26 | 66T-43627-00 | STOPPER RETEN | 2 | 2 | 2 | | |
| 27 | 90386-12M98 | BUSH BUJE | 2 | 2 | 2 | | |
| 28 | 90202-12031 | WASHER, PLATE ARANDELA DE PLANA | 2 | 2 | 2 | | |
| 29 | 90206-12M00 | WASHER, WAVE ARANDELA ONDULADA | 2 | 2 | 2 | | |
| 30 | 90109-08M90 | BOLT PERNO | 2 | 2 | 2 | | |
| 31 | 90201-08M07 | WASHER, PLATE ARANDELA PLANA | 2 | 2 | 2 | | |
| 32 | 90185-08057 | NUT, SELF-LOCKING TUERCA AUTOBLOCANTE | 2 | 2 | 2 | | |
| 33 | 90249-12M34 | PIN PASADOR | 1 | 1 | 1 | | D* D* |
| | 90249-12M34 | PIN PASADOR | 2 | 2 | 2 | | W* W* |
| 34 | 90387-12M04 | COLLAR ESPACIADOR | 1 | 1 | 1 | | D* D* |
| 35 | 90249-12M39 | PIN PASADOR | 1 | 1 | 1 | | D* D* |
| 36 | 90386-12MA0 | BUSH BUJE | 1 | 1 | 1 | | D* D* |
| 37 | 93430-10M00 | CIRCLIP SEGURO | 2 | 2 | 2 | | |
| 38 | 682-43318-01 | COVER CUBIERTA | 1 | 1 | 1 | | |
| 39 | 65W-43630-11 | TILT LEVER ASSY PLANCA DE INCLINACION COMPL | 1 | 1 | 1 | | D* D* |
| | 65W-43630-02 | TILT LEVER ASSY PLANCA DE INCLINACION COMPL | 1 | 1 | 1 | | W* W* |
| 40 | 90386-10M99 | BUSH BUJE | 1 | 1 | 1 | | |
| 41 | 90386-07MA2 | BUSH BUJE | 1 | 1 | 1 | | D* D* |
| 42 | 99080-08600 | CIRCLIP PRESILLA REDONDA | 1 | 1 | 1 | | W* W* |
| 43 | 90249-10M31 | PIN PASADOR | 1 | 1 | 1 | | D* D* |
| 44 | 90387-07M05 | COLLAR ESPACIADOR | 1 | 1 | 1 | | D* D* |
| 45 | 99080-08600 | CIRCLIP PRESILLA REDONDA | 1 | 1 | 1 | | D* D* |
| 46 | 66T-43350-02 | RECEIVER ASSY RECIBIDOR COMPL | 1 | 1 | 1 | | D* D* |
| 47 | 90506-20M37 | SPRING, TENSION RESORTE DE TENSION | 1 | 1 | 1 | | D* D* |
| 48 | 66T-43631-11 | LEVER, TILT PALANCA DE INCLINACION | 1 | 1 | 1 | | D* D* |
| | 66T-43631-01 | LEVER, TILT PALANCA DE INCLINACION | 1 | 1 | 1 | | W* W* |
| 49 | 90157-05014 | SCREW, PAN HEAD TORNILLO CABEZA CONICA PLANA | 1 | 1 | 1 | | |

SOPORTE 1

FIG. 18 BRACKET 1

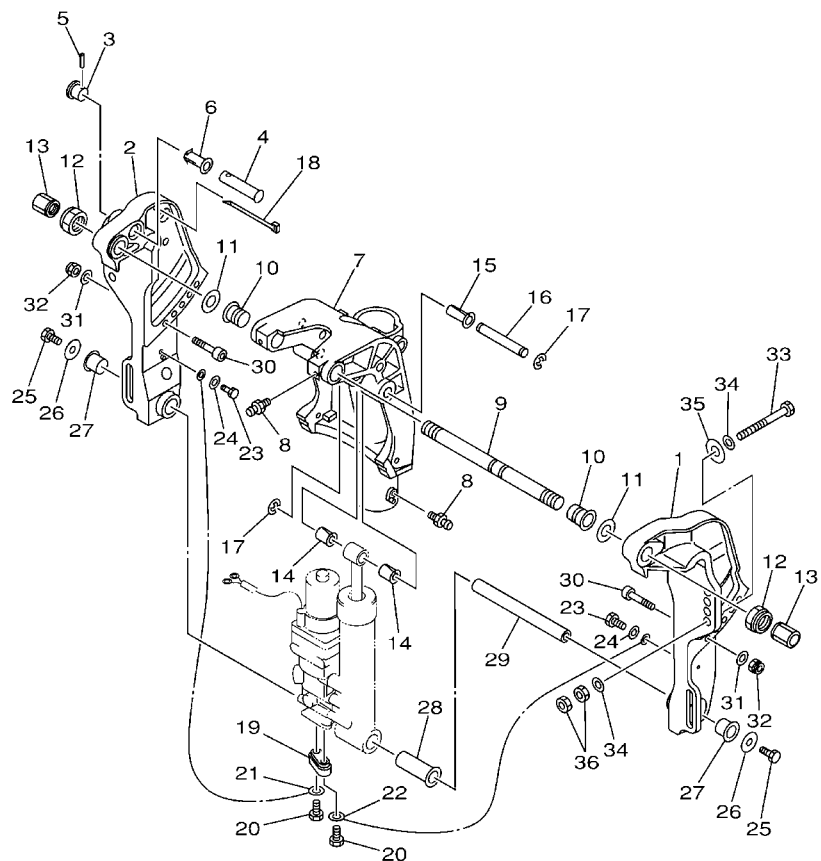


D*:FOR SHALLOW WATER DRIVE
 D*:PARA NAVEGACION EN AGUAS POCO PROFUNDAS
 W*:WITHOUT SHALLOW WATER DRIVE
 W*:SIN NAVEGACION EN AGUAS POCO PROFUNDAS

| REF. NO. | PART NO. CODIGO Nº | DESCRIPTION DESCRIPCION | MH | WH | W | WT | REMARKS OBSERVACIONES |
|----------|--------------------|--|----|----|---|----|-----------------------|
| 50 | 65W-43616-00 | ROD, TILT LOCK VARILLA SEGURO DE INCLINACION | 1 | 1 | 1 | | |
| 51 | 65W-43614-01 | PLATE, TILT LOCK PLACA DE SEGURO DE INCLINACION | 1 | 1 | 1 | | |
| 52 | 65W-43615-01 | PLATE, TILT LOCK PLACA DE SEGURO DE INCLINACION | 1 | 1 | 1 | | |
| 53 | 65W-43613-00 | ARM, TILT LOCK BRAZO DE SEGURO DE INCLINACION | 1 | 1 | 1 | | |
| 54 | 90249-07M32 | PIN PASADOR | 1 | 1 | 1 | | |
| 55 | 90387-07M29 | COLLAR ESPACIADOR | 1 | 1 | 1 | | |
| 56 | 90249-07M33 | PIN PASADOR | 1 | 1 | 1 | | |
| 57 | 90506-30M00 | SPRING, TENSION RESORTE DE TENSION | 2 | 2 | 2 | | |
| 58 | 91490-20012 | PIN, COTTER CHAVETA | 4 | 4 | 4 | | |
| 59 | 90101-08M28 | BOLT TORNILLO | 1 | 1 | 1 | | |
| 60 | 90502-10M06 | SPRING, CONICAL RESORTE CONICO | 1 | 1 | 1 | | |
| 61 | 90185-08057 | NUT, SELF-LOCKING TUERCA AUTOBLOCANTE | 1 | 1 | 1 | | |
| 62 | 90101-10M58 | BOLT TORNILLO | 4 | 4 | 4 | | |
| 63 | 92995-10600 | WASHER ARANDELA | 8 | 8 | 8 | | |
| 64 | 90201-12426 | WASHER, PLATE ARANDELA PLANA | 4 | 4 | 4 | | |
| 65 | 95380-10600 | NUT TUERCA | 8 | 8 | 8 | | |

FIG. 19 BRACKET 2

SOPORTE 2

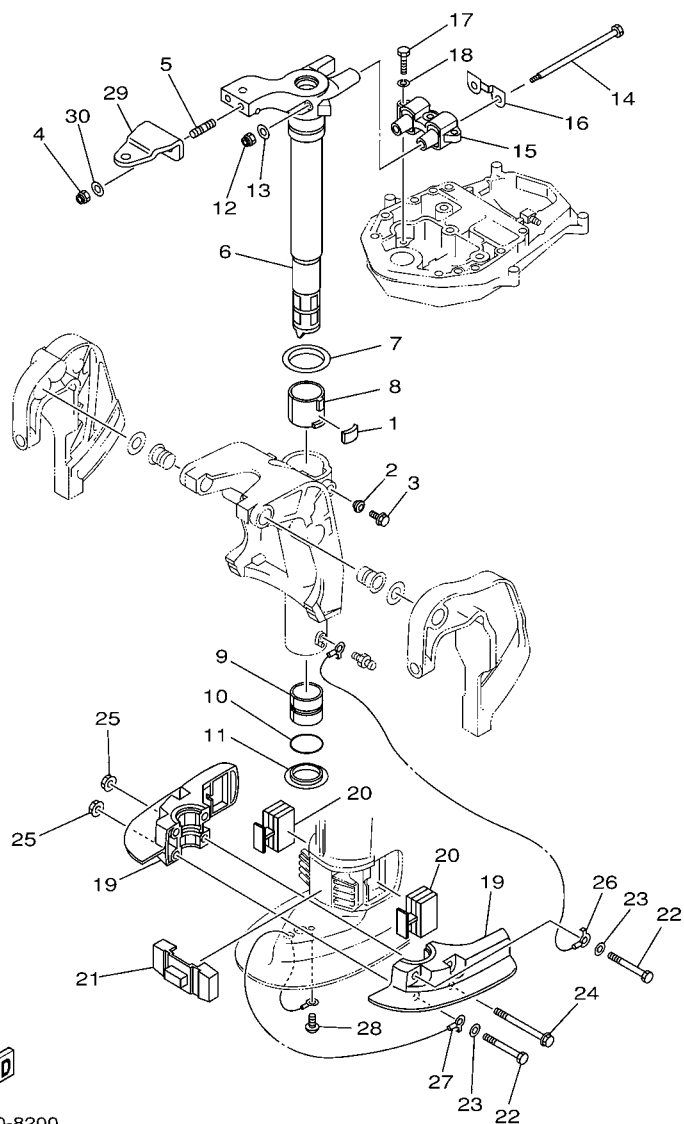


65W0010-1230

| REF. NO. | PART NO. CODIGO Nº | DESCRIPTION DESCRIPCION | MH | WH | W | WT | REMARKS OBSERVACIONES |
|----------|--------------------|---|----|----|---|----|-----------------------|
| 1 | 65W-43111-10-4D | BRACKET, CLAMP 1 SOPORTE DE LA ABRAZADERA 1 | | | | 1 | |
| 2 | 65W-43112-10-4D | BRACKET, CLAMP 2 SOPORTE DE LA ABRAZADERA 2 | | | | 1 | |
| 3 | 65W-43192-00 | KNOB, STOPPER PERILLA DE TOPE | | | | 1 | |
| 4 | 65W-43191-00 | SHAFT, STOPPER EJE DE TOPE | | | | 1 | |
| 5 | 91690-30018 | PIN, SPRING PASADOR DE RESORTE | | | | 1 | |
| 6 | 90386-14MA1 | BUSH BUJE | | | | 1 | |
| 7 | 65W-43311-10-4D | BRACKET, SWIVEL 1 SOPORTE GIRATORIO 1 | | | | 1 | L(21.7") L(21.7") |
| 8 | 93700-06M03 | NIPPLE, GREASE BOQUILLA DE ENGRASAR | | | | 3 | |
| 9 | 63D-43131-01 | BOLT, CLAMP BRACKET TORNILLO DE ABRAZADERA DEL SOP | | | | 1 | |
| 10 | 90386-22M15 | BUSH BUJE | | | | 2 | |
| 11 | 90201-22M03 | WASHER, PLATE ARANDELA PLANA | | | | 2 | |
| 12 | 90185-22M11 | NUT, SELF-LOCKING TUERCA AUTOBLOCANTE | | | | 2 | |
| 13 | 6G5-43145-01 | CAP, CLAMP BRACKET TAPA | | | | 2 | |
| 14 | 90386-12MA0 | BUSH BUJE | | | | 2 | |
| 15 | 90386-12M98 | BUSH BUJE | | | | 1 | |
| 16 | 90249-12M38 | PIN PASADOR | | | | 1 | |
| 17 | 93430-10M00 | CIRCLIP SEGURO | | | | 2 | |
| 18 | 90465-13M11 | CLAMP BRIDA | | | | 2 | |
| 19 | 65W-45251-00 | ANODE CATODE | | | | 1 | |
| 20 | 90101-06020 | BOLT TORNILLO | | | | 2 | |
| 21 | 6H1-82148-00 | WIRE, LEAD 4 CABLE CONDUCTOR 4 | | | | 1 | |
| 22 | 6U0-82127-00 | WIRE, LEAD 2 CABLE CONDUCTOR 2 | | | | 1 | |
| 23 | 97095-06014 | BOLT PERNO | | | | 2 | |
| 24 | 92995-06600 | WASHER ARANDELA | | | | 2 | |
| 25 | 97080-08016 | BOLT PERNO | | | | 2 | |
| 26 | 90201-08M00 | WASHER, PLATE ARANDELA PLANA | | | | 2 | |
| 27 | 90386-18M44 | BUSH BUJE | | | | 2 | |

FIG. 20 BRACKET 3

SOPORTE 3

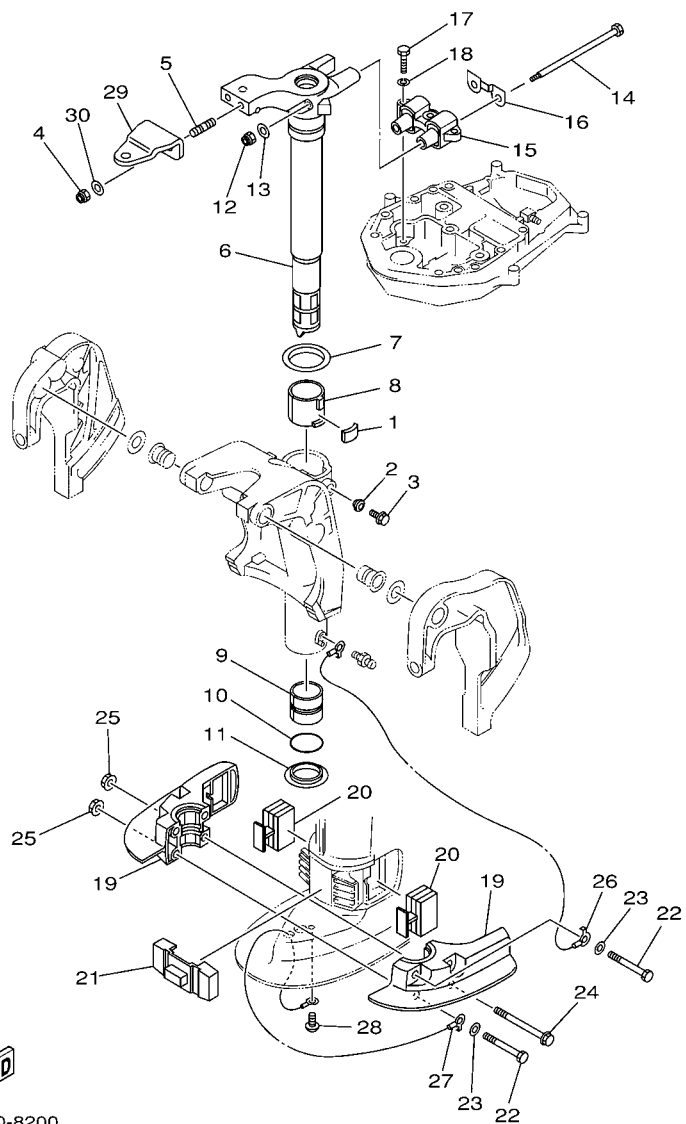


66T0010-8200

| REF. NO. | PART NO. CODIGO Nº | DESCRIPTION DESCRIPCION | MH | WH | W | WT | REMARKS OBSERVACIONES |
|----------|--------------------|--|----|----|---|----|--|
| 1 | 648-42528-00 | PLATE, FRICTION PIEZA DE FRICCION | 1 | 1 | 1 | 1 | |
| 2 | 65W-43373-00 | SEAL, DAMPER SELLO DE GOMA | 1 | 1 | 1 | 1 | |
| 3 | 90105-08M76 | BOLT, FLANGE TORNILLO | 1 | 1 | 1 | 1 | |
| 4 | 90185-10051 | NUT, SELF-LOCKING TUERCA AUTOBLOCANTE | 2 | 2 | 2 | 2 | |
| 5 | 90116-10M28 | BOLT, STUD ESPARRAGO | 2 | 2 | 2 | 2 | |
| 6 | 65W-42511-00-4D | BRACKET, STEERING SOPORTE DE DIRECCION | 1 | | 1 | | S(16.7") S(16.7") |
| | 65W-42511-10-4D | BRACKET, STEERING SOPORTE DE DIRECCION | 1 | 1 | 1 | 1 | L(21.7"),X(25.6") L(21.7"),X(25.6") |
| 7 | 90209-52M00 | WASHER ARANDELA DE SEPARACION | 1 | 1 | 1 | 1 | |
| 8 | 90386-52M02 | BUSH BUJE | 1 | 1 | 1 | 1 | |
| 9 | 90386-44M03 | BUSH BUJE | 1 | 1 | 1 | 1 | |
| 10 | 93210-43MJ0 | O-RING ANILLO O | 1 | 1 | 1 | 1 | |
| 11 | 90386-44M99 | BUSH BUJE | 1 | 1 | 1 | 1 | |
| 12 | 90185-08045 | NUT, SELF-LOCKING TUERCA AUTOBLOCANTE | 2 | 2 | 2 | 2 | |
| 13 | 92995-08200 | WASHER ARANDELA | 2 | 2 | 2 | 2 | |
| 14 | 90101-08M86 | BOLT TORNILLO | 2 | 2 | 2 | 2 | |
| 15 | 66T-44514-00-4D | MOUNT DAMPER, UPPER SIDE AMORTIGUADOR LADO SUPERIOR | 1 | 1 | 1 | 1 | S(16.7"),L(21.7") S(16.7"),L(21.7") |
| | 66T-44514-30-4D | MOUNT DAMPER, UPPER SIDE AMORTIGUADOR LADO SUPERIOR | 1 | | | | X(25.6") X(25.6") |
| 16 | 66T-44526-00 | PLATE PLACA 1 | 1 | 1 | 1 | 1 | S(16.7"),L(21.7") S(16.7"),L(21.7") |
| | 66T-44526-30 | PLATE PLACA 1 | 1 | | | | X(25.6") X(25.6") |
| 17 | 97075-08030 | BOLT PERNO | 3 | 3 | 3 | 3 | |
| 18 | 92995-08100 | WASHER ARANDELA | 3 | 3 | 3 | 3 | |
| 19 | 65W-44551-00-4D | HOUSING, LOWER MOUNT RUBBER CAJA AMORTIGUADOR INFERIOR HU | 2 | 2 | 2 | 2 | |
| 20 | 65W-44555-10 | MOUNT DAMPER, LOWER SIDE AMORTIGUADOR DE HULE LADO INFE | 2 | 2 | 2 | 2 | |
| 21 | 66T-44575-00 | DAMPER, LOWER MOUNT RUBBER AMORTIGUADOR INFERIOR | 1 | 1 | 1 | 1 | |
| 22 | 97075-10070 | BOLT PERNO | 2 | 2 | 2 | 2 | |
| 23 | 92995-10600 | WASHER ARANDELA | 2 | 2 | 2 | 2 | |
| 24 | 90119-10M04 | BOLT, WITH WASHER TORNILLO CON ARANDELA | 2 | 2 | 2 | 2 | |

FIG. 20 BRACKET 3

SOPORTE 3

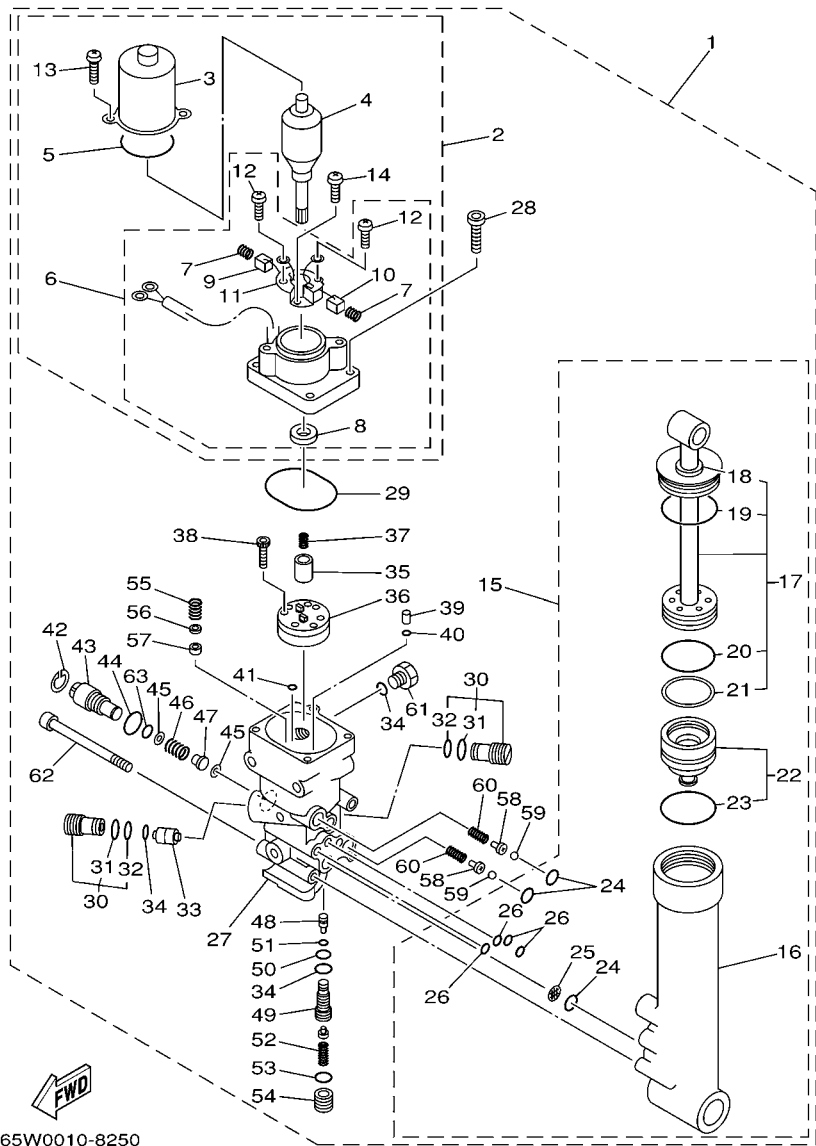


66T0010-8200

| REF. NO. | PART NO. CODIGO Nº | DESCRIPTION DESCRIPCION | MH | WH | W | WT | REMARKS OBSERVACIONES |
|----------|--------------------|--------------------------------------|----|----|---|----|-----------------------|
| 25 | 90179-10M33 | NUT TUERCA | 4 | 4 | 4 | 4 | |
| 26 | 66T-82127-00 | WIRE, LEAD 2 CABLE CONDUCTOR 2 | | | | 1 | |
| 27 | 66T-82127-10 | WIRE, LEAD 2 CABLE CONDUCTOR 2 | | | | 1 | |
| 28 | 97885-06008 | SCREW, PAN HEAD TORNILLO A MUESCA | | | | 1 | |
| 29 | 65W-48511-00 | HOOK, STEERING GANCHO DIRECCION | | | 1 | 1 | |
| | 670-48511-00-4D | HOOK, STEERING GANCHO DIRECCION | | | 1 | | FOR RUS FOR RUS |
| 30 | 90201-10120 | WASHER, PLATE ARANDELA PLANA | | | 2 | 2 | |

FIG. 21 POWER TRIM & TILT ASSY

COMPONER Y PODER VARILLA

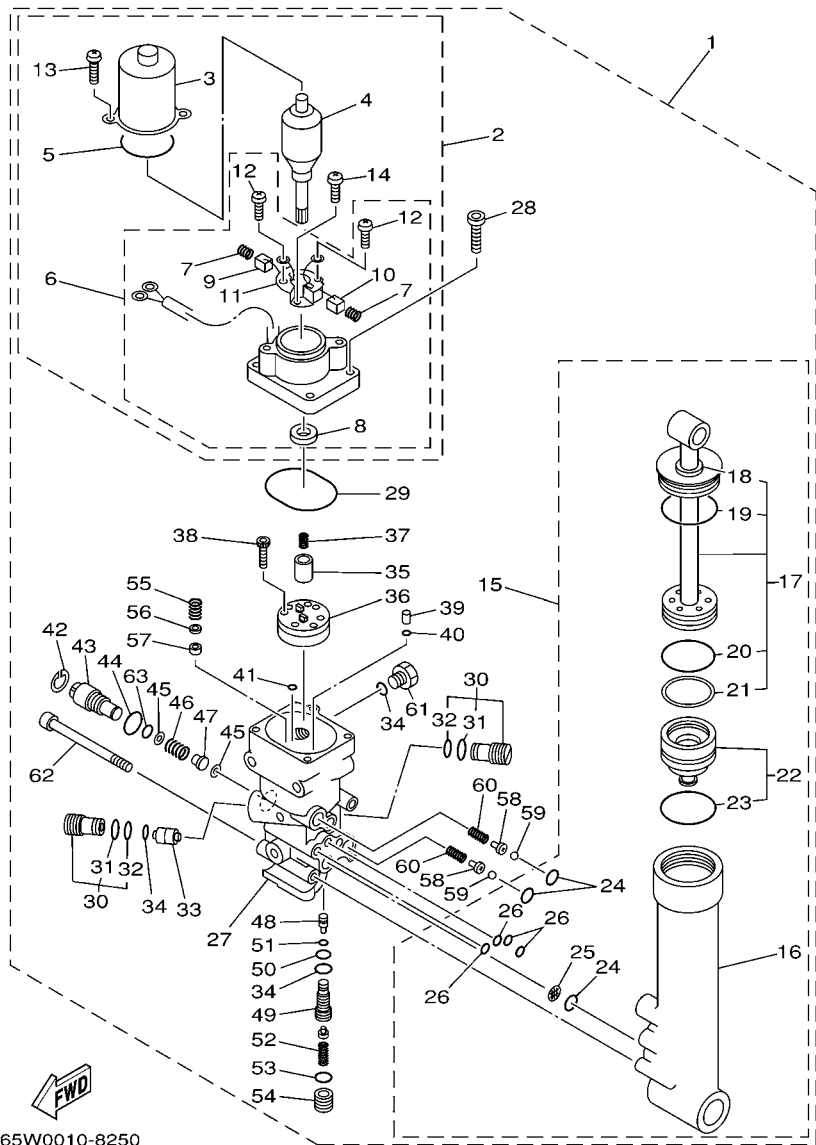


65W0010-8250

| REF. NO. | PART NO. CODIGO Nº | DESCRIPTION DESCRIPCION | MH | WH | W | WT | REMARKS OBSERVACIONES |
|----------|--------------------|--|----|----|---|----|-----------------------|
| 1 | 65W-43800-02-4D | POWER TRIM & TILT ASSY ELEVADOR HIDRAULICO COMPL. | | | | 1 | |
| 2 | 65W-43880-00 | ..MOTOR ASSY ..MOTOR COMPL. | | | | 1 | |
| 3 | 65W-43804-00 | ..STATOR ASSY ..ESTATOR COMPL | | | | 1 | |
| 4 | 65W-43805-00 | ..ARMATURE ASSY ..INDUCIDO COMPL. | | | | 1 | |
| 5 | 65W-43869-00 | ..O-RING ..ANILLO EN O 9 | | | | 1 | |
| 6 | 65W-43881-00 | ..FRAME, END ..CUADRO EXTERMO | | | | 1 | |
| 7 | 65W-4386K-00 | ..SPRING, BRUSH ..RESORTE, ESCOBILLA | | | | 2 | |
| 8 | 65W-43882-00 | ..OIL SEAL ..SELLO ACEITE | | | | 1 | |
| 9 | 65W-43892-00 | ..BRUSH 2 ..ESCOBILLA 2 | | | | 1 | |
| 10 | 65W-43891-00 | ..BRUSH 1 ..ESCOBILLA 1 | | | | 1 | |
| 11 | 65W-4380F-00 | ..PLATE, BRUSH HOLDER ..PLACA | | | | 1 | |
| 12 | 65W-43879-00 | ..SCREW, WITH WASHER ..TORNILLO CON RONDANA | | | | 2 | |
| 13 | 65W-43887-00 | ..BOLT, THROUGH ..TORNILLO | | | | 2 | |
| 14 | 65W-4388E-00 | ..BOLT ..PERNO | | | | 1 | |
| 15 | 65W-43840-00 | ..POWER TILT ASSY ..CONJUNTO COMPONER | | | | 1 | |
| 16 | 65W-4380K-00 | ..CYLINDER, TILT SUB ASSY ..CILINDRO, INCLINACION | | | | 1 | |
| 17 | 65W-43810-00 | ..TILT PISTON SUB ASSY ..ELEVADOR SUB-PISTON COMPL. | | | | 1 | |
| 18 | 65W-43812-00 | ..SEAL, DUST ..SELLO DE POLVO | | | | 1 | |
| 19 | 65W-43865-00 | ..O-RING ..ANILLO EN O 5 | | | | 1 | |
| 20 | 6H1-43861-10 | ..O-RING ..ANILLO EN O 1 | | | | 1 | |
| 21 | 65W-43871-00 | ..RING, BACK UP ..ANILLO | | | | 1 | |
| 22 | 65W-4381B-00 | ..FREE PISTON SUB ASSY ..SUB-PISTON COMPL | | | | 1 | |
| 23 | 6H1-43861-10 | ..O-RING ..ANILLO EN O 1 | | | | 1 | |
| 24 | 93210-11368 | ..O-RING ..ANILLO O | | | | 3 | |
| 25 | 6H1-43816-00 | ..FILTER 1 ..FIELTRO 1 | | | | 1 | |
| 26 | 93210-064A5 | ..O-RING ..ANILLO O | | | | 4 | |
| 27 | 65W-4380L-00 | ..HOUSING, TRIM & TILT SUB ASSY ..CAJA, INCLINACION Y ADRNO | | | | 1 | |

FIG. 21 POWER TRIM & TILT ASSY

COMPONER Y PODER VARILLA



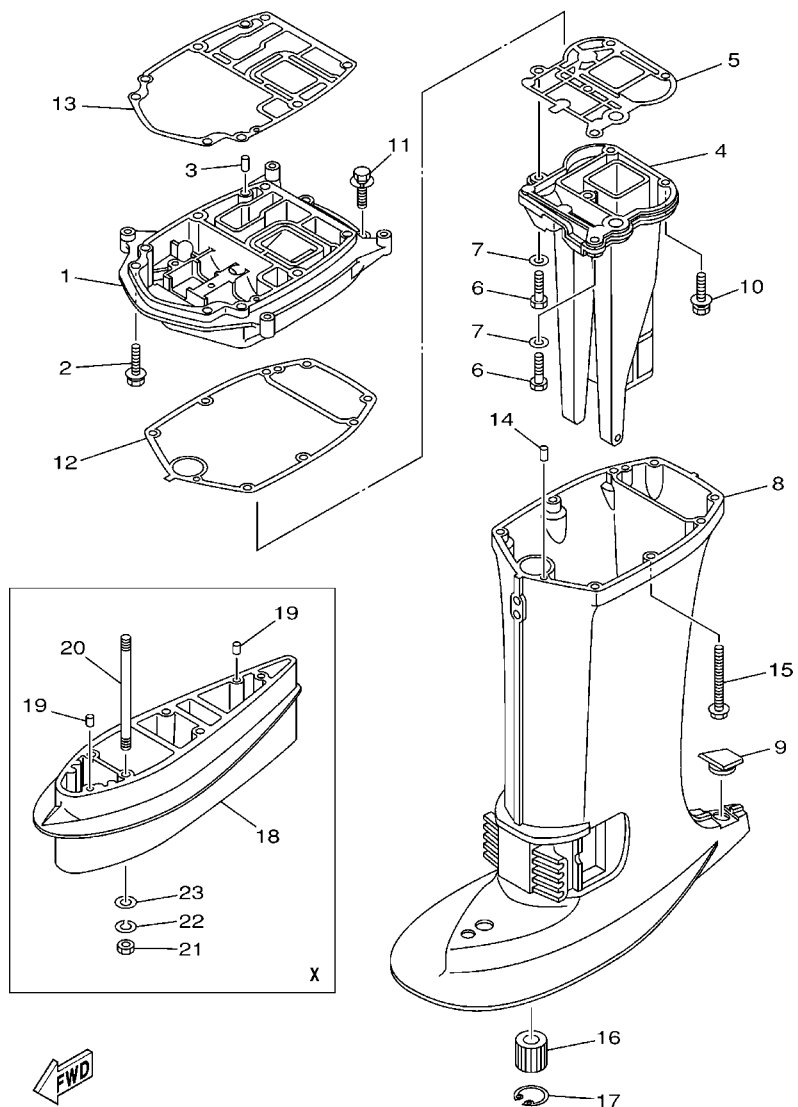
65W0010-8250

F3

| REF. NO. | PART NO. CODIGO Nº | DESCRIPTION DESCRIPCION | MH | WH | W | WT | REMARKS OBSERVACIONES |
|----------|--------------------|---|----|----|---|----|-----------------------|
| 28 | 65W-43888-00 | .BOLT, SOCKET .TORNILLO ENCASTRE | | | | 4 | |
| 29 | 93210-50768 | .O-RING .ANILLO O | | | | 1 | |
| 30 | 6T4-43802-03 | .VALVE SUB ASSY .VALVULA PRINCIPAL COMPL. | | | | 2 | |
| 31 | 6H1-43866-00 | .O-RING .ANILLO EN O 6 | | | | 1 | |
| 32 | 6H1-43867-00 | .O-RING .ANILLO EN O 7 | | | | 1 | |
| 33 | 62X-43841-00 | .PISTON, SHUTTLE .PISTON | | | | 1 | |
| 34 | 93210-09165 | .O-RING .ANILLO O | | | | 3 | |
| 35 | 65W-43831-00 | .CONNECTOR, SHAFT .CONEXION EJE | | | | 1 | |
| 36 | 65W-43830-00 | .GEAR PUMP ASSY .ENGRANAJE BOMBA COMPL. | | | | 1 | |
| 37 | 6T4-43853-00 | .SPRING, MAIN VALVE .RESORTE | | | | 1 | |
| 38 | 91318-04025 | .BOLT .TORNILLO | | | | 4 | |
| 39 | 65W-43817-00 | .FILTER 2 .FIELTRO 2 | | | | 2 | |
| 40 | 65W-43861-00 | .O-RING .ANILLO EN O 1 | | | | 2 | |
| 41 | 65W-43862-00 | .O-RING .ANILLO EN O 2 | | | | 2 | |
| 42 | 6H1-43875-00 | .RING, SNAP .ANILLO | | | | 1 | |
| 43 | 6H1-43845-00 | .SCREW, MANUAL RELEASE .TORNILLO DESCOPLO MANUAL | | | | 1 | |
| 44 | 93210-18397 | .O-RING .ANILLO O | | | | 1 | |
| 45 | 6H1-43847-00 | .SEAT, MANUAL VALVE .ASIENTO VALVULA MANUAL | | | | 2 | |
| 46 | 65W-43854-00 | .SPRING, MANUAL RELEASE .RESORTE DESCOPLO MANUAL | | | | 1 | |
| 47 | 65W-4382A-00 | .ADAPTOR 1 .ADAPTADOR 1 | | | | 1 | |
| 48 | 65W-43844-00 | .PIN, VALVE SUPPORT .PASADOR VALVULA SOPORTE | | | | 1 | |
| 49 | 65W-43851-00 | .SEAT, RELIEF VALVE .ASIENTO VALVULA DE DESCARGA | | | | 1 | |
| 50 | 93210-08006 | .O-RING .ANILLO O | | | | 1 | |
| 51 | 93210-03478 | .O-RING .ANILLO O | | | | 1 | |
| 52 | 65W-43855-00 | .SPRING, UP RELIEF .RESORTE SEGURIDAD SUPERIOR | | | | 1 | |
| 53 | 93210-11073 | .O-RING .ANILLO O | | | | 1 | |
| 54 | 65W-43843-00 | .SCREW, VALVE LOCK .TORNILLO | | | | 1 | |

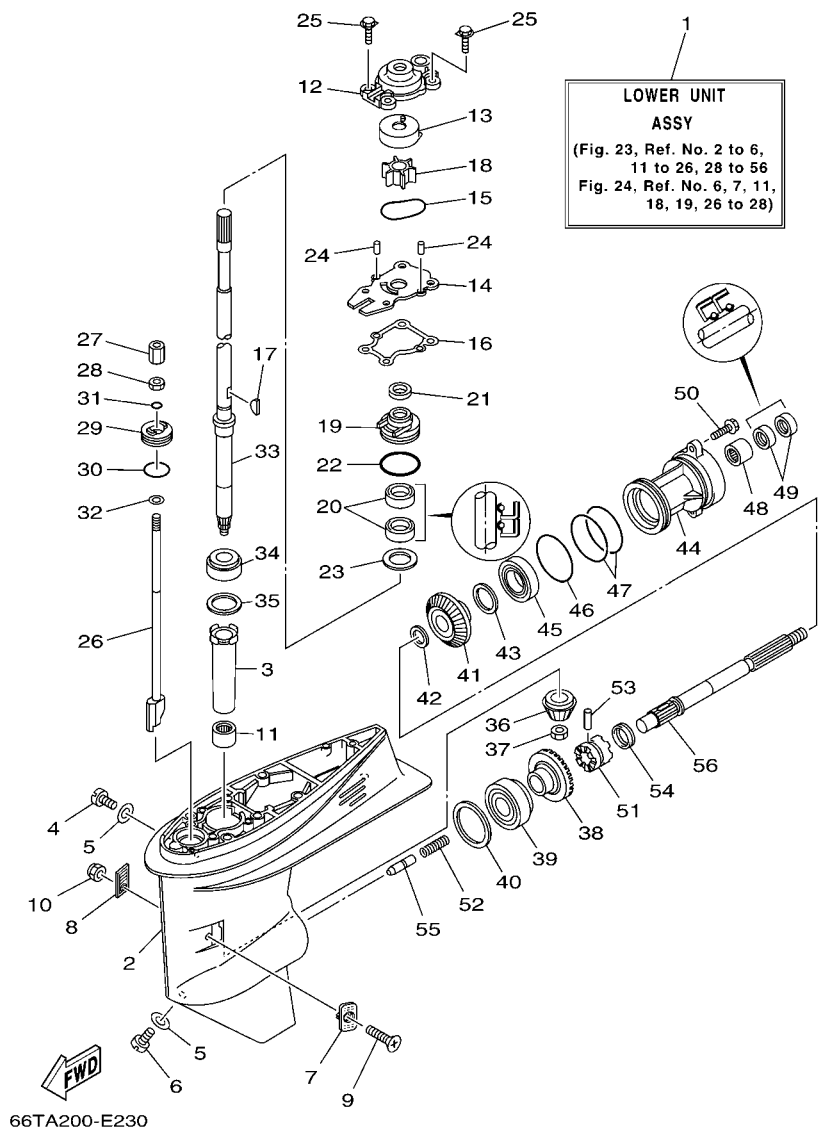
FIG. 22 UPPER CASING

FUNDA SUPERIOR



66T2200-2220

| REF. NO. | PART NO. CODIGO Nº | DESCRIPTION DESCRIPCION | MH | WH | W | WT | REMARKS OBSERVACIONES |
|----------|--------------------|---|----|----|---|----|--|
| 1 | 66T-41137-00-5B | GUIDE, EXHAUST GUIA DE ESCAPE | 1 | 1 | 1 | 1 | |
| 2 | 90119-08M79 | BOLT, WITH WASHER TORNILLO CON ARANDELA | 2 | 2 | 2 | 2 | |
| 3 | 93606-12019 | PIN, DOWEL PASADOR DE CLAVIJA | 2 | 2 | 2 | 2 | |
| 4 | 66T-41131-00-5B | MANIFOLD, EXT. 1 TUBO MULTIPLE DE ESCAPE | 1 | 1 | | | S(16.7") S(16.7") |
| | 66T-41131-10-5B | MANIFOLD, EXT. 1 TUBO MULTIPLE DE ESCAPE | 1 | 1 | 1 | 1 | L(21.7"),X(25.6") L(21.7"),X(25.6") |
| 5 | 66T-41133-A0 | GASKET, EXHAUST MANIFOLD 1 EMPAQUE ESCAPE MULTIPLE | 1 | 1 | 1 | 1 | |
| 6 | 97075-08030 | BOLT PERNO | 2 | 2 | 2 | 2 | |
| 7 | 92995-08600 | WASHER ARANDELA | 2 | 2 | 2 | 2 | |
| 8 | 66T-45111-00-4D | CASING, UPPER CAJA SUPERIOR | 1 | 1 | | | S(16.7") S(16.7") |
| | 66T-45111-10-4D | CASING, UPPER CAJA SUPERIOR | 1 | 1 | 1 | 1 | L(21.7"),X(25.6") L(21.7"),X(25.6") |
| 9 | 63D-45155-00 | CAP TAPA | 1 | 1 | 1 | 1 | |
| 10 | 97575-08545 | BOLT, WITH WASHER PERNO CON ARANDELA | 3 | 3 | 3 | 3 | |
| 11 | 90119-08M79 | BOLT, WITH WASHER TORNILLO CON ARANDELA | 2 | 2 | 2 | 2 | |
| 12 | 66T-45114-A0 | GASKET, UPPER CASING EMPAQUE | 1 | 1 | 1 | 1 | |
| 13 | 66T-45113-A0 | GASKET, UPPER CASING EMPAQUE | 1 | 1 | 1 | 1 | |
| 14 | 93606-12019 | PIN, DOWEL PASADOR DE CLAVIJA | 2 | 2 | 2 | 2 | |
| 15 | 90119-08M42 | BOLT, WITH WASHER TORNILLO CON ARANDELA | 6 | 6 | 6 | 6 | |
| 16 | 679-45318-00 | BUSHING, DRIVE SHAFT BUJE, EJE DE MANDO | 1 | 1 | 1 | 1 | L(21.7"),X(25.6") L(21.7"),X(25.6") |
| 17 | 93420-30042 | CIRCLIP SEGURO | 1 | 1 | 1 | 1 | L(21.7"),X(25.6") L(21.7"),X(25.6") |
| 18 | 66T-45211-00-4D | EXTENSION EXTENSION | 1 | | | | X(25.6") X(25.6") |
| 19 | 93606-12019 | PIN, DOWEL PASADOR DE CLAVIJA | 2 | | | | X(25.6") X(25.6") |
| 20 | 90116-10M23 | BOLT, STUD ESPARRAGO | 4 | | | | X(25.6") X(25.6") |
| 21 | 95380-10600 | NUT TUERCA | 4 | | | | X(25.6") X(25.6") |
| 22 | 92990-10100 | WASHER, SPRING ARANDELA PLANA | 4 | | | | X(25.6") X(25.6") |
| 23 | 92990-10600 | WASHER, PLATE ARANDELA PLANA | 4 | | | | X(25.6") X(25.6") |



66TA200-E230

FIG. 23 LOWER CASING & DRIVE 1 IMPULSOR E INFERIOR 1

| REF. NO. | PART NO. CODIGO Nº | DESCRIPTION DESCRIPCION | MH | WH | W | WT | REMARKS OBSERVACIONES |
|----------|--------------------|---|----|----|---|----|------------------------------|
| 1 | 66T-45300-01-4D | LOWER UNIT ASSY CONJUNTO UNIDAD INFERIOR | 1 | | 1 | | S (16.7") S (16.7") |
| | 66T-45300-11-4D | LOWER UNIT ASSY CONJUNTO UNIDAD INFERIOR | 1 | 1 | 1 | 1 | L (21.7") L (21.7") |
| | 66T-45300-31-4D | LOWER UNIT ASSY CONJUNTO UNIDAD INFERIOR | 1 | | | | X (25.6") X (25.6") |
| 2 | 66T-45311-01-4D | CASING, LOWER FUNDA INFERIOR | 1 | 1 | 1 | 1 | |
| 3 | 6H4-45536-00 | SLEEVE, DRIVE SHAFT CAMISA EJE DE MANDO | 1 | 1 | 1 | 1 | |
| 4 | 90340-08002 | PLUG, STRAIGHT SCREW TORNILLO, DE DRENAJE | 1 | 1 | 1 | 1 | |
| 5 | 90430-08020 | GASKET JUNTA | 2 | 2 | 2 | 2 | |
| 6 | 688-45341-10 | PLUG, DRAIN TAPON, DREN | 1 | 1 | 1 | 1 | |
| 7 | 63D-45214-00 | COVER, WATER INLET 1 CUBIERTA ENTRADA AGUA 1 | 1 | 1 | 1 | 1 | |
| 8 | 63D-45215-00 | COVER, WATER INLET 2 CUBIERTA ENTRADA AGUA 2 | 1 | 1 | 1 | 1 | |
| 9 | 90142-05M06 | SCREW, COUNTERSUNK TORNILLO EMBUTIDO | 1 | 1 | 1 | 1 | |
| 10 | 95380-05600 | NUT TUERCA | 1 | 1 | 1 | 1 | |
| 11 | 93315-32224 | BEARING COJINETE DE RODILLOS | 1 | 1 | 1 | 1 | |
| 12 | 66T-44311-00 | HOUSING, WATER PUMP CAJA BOMBA DE AGUA | 1 | 1 | 1 | 1 | |
| 13 | 63D-44322-00 | INSERT, CARTRIDGE CARTUCHO | | | | 1 | FOR STD FOR STD |
| | 63D-44322-40 | INSERT, CARTRIDGE CARTUCHO | 1 | 1 | 1 | 1 | FOR CHROMATE FOR CHROMATE |
| 14 | 66T-44323-00 | OUTER PLATE, CARTRIDGE PLACA EXTERIOR DEL CARTUCHO | | | | 1 | FOR STD FOR STD |
| | 66T-44323-40 | OUTER PLATE, CARTRIDGE PLACA EXTERIOR DEL CARTUCHO | 1 | 1 | 1 | 1 | FOR CHROMATE FOR CHROMATE |
| 15 | 93210-59MG7 | O-RING ANILLO O | 1 | 1 | 1 | 1 | |
| 16 | 63D-44316-00 | GASKET, WATER PUMP EMPAQUE | 1 | 1 | 1 | 1 | |
| 17 | 90280-03M03 | KEY, WOODRUFF CUNA WOODRUFF | 1 | 1 | 1 | 1 | |
| 18 | 6H4-44352-02 | IMPELLER IMPULSOR | 1 | 1 | 1 | 1 | |
| 19 | 63D-44341-00 | HOUSING, WATER PUMP CAJA BOMBA DE AGUA | 1 | 1 | 1 | 1 | |
| 20 | 93101-22M60 | OIL SEAL SELLO ACEITE | 2 | 2 | 2 | 2 | |
| 21 | 66T-45344-01 | COVER, OIL SEAL CUBIERTA SELLO ACEITE | 1 | 1 | 1 | 1 | |
| 22 | 93210-48MG8 | O-RING ANILLO O | 1 | 1 | 1 | 1 | |
| 23 | 90201-27M00 | WASHER, PLATE ARANDELA PLANA | 1 | 1 | 1 | 1 | |

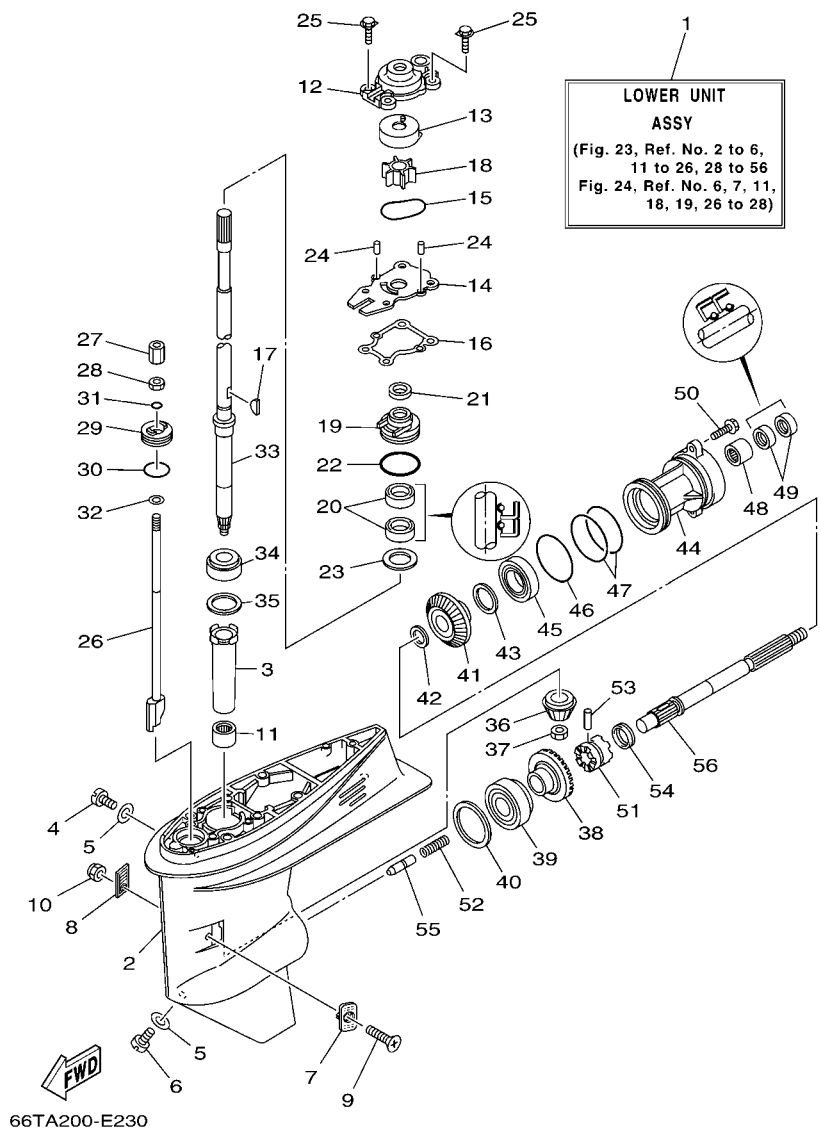
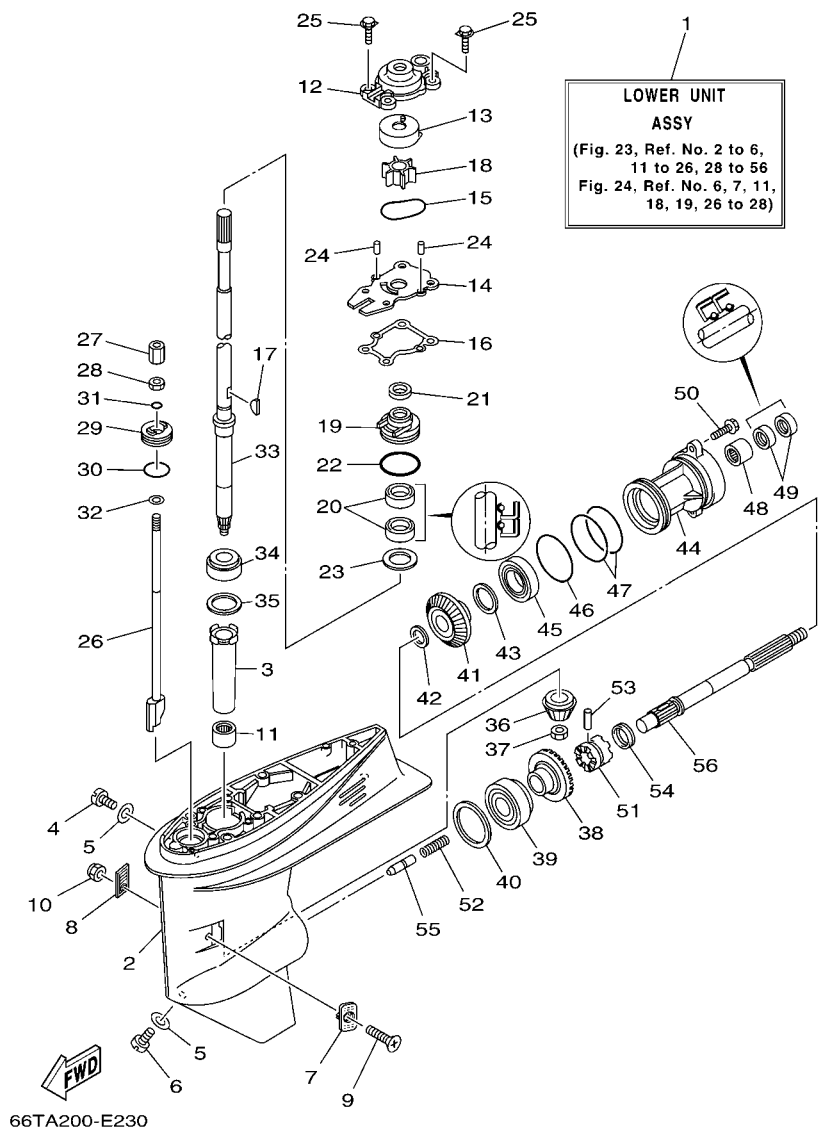


FIG. 23 LOWER CASING & DRIVE 1 IMPULSOR E INFERIOR 1

| REF. NO. | PART NO. CODIGO Nº | DESCRIPTION DESCRIPCION | MH | WH | W | WT | REMARKS OBSERVACIONES |
|----------|--------------------|--|----|----|---|----|------------------------|
| 24 | 93604-08062 | PIN, DOWEL PASADOR DE CLAVIJA | 2 | 2 | 2 | 2 | |
| 25 | 90119-08M15 | BOLT, WITH WASHER TORNILLO CON ARANDELA | 4 | 4 | 4 | 4 | |
| 26 | 66T-44150-01 | SHIFT CAM ASSY CONJUNTO EJE LEVA COMPL. | 1 | | 1 | | S (16.7") S (16.7") |
| | 66T-44150-11 | SHIFT CAM ASSY CONJUNTO EJE LEVA COMPL. | 1 | 1 | 1 | 1 | L (21.7") L (21.7") |
| | 66T-44150-21 | SHIFT CAM ASSY CONJUNTO EJE LEVA COMPL. | 1 | | | | X (25.6") X (25.6") |
| 27 | 61N-44146-00 | CONNECTOR, SHIFT ROD CONECTOR VARILLA DE CAMBIO | 1 | 1 | 1 | 1 | |
| 28 | 95380-06700 | NUT TUERCA | 1 | 1 | 1 | 1 | |
| 29 | 66T-45321-00 | PLATE PLACA | 1 | 1 | 1 | 1 | |
| 30 | 93210-33MG4 | O-RING ANILLO O | 1 | 1 | 1 | 1 | |
| 31 | 93210-06ME6 | O-RING ANILLO O | 1 | 1 | 1 | 1 | |
| 32 | 92990-06600 | WASHER, PLATE ARANDELA PLANA | 1 | 1 | 1 | 1 | |
| 33 | 66T-45501-01 | DRIVE SHAFT COMP. EJE DE MANDO COMPL. | 1 | | 1 | | S (16.7") S (16.7") |
| | 66T-45501-11 | DRIVE SHAFT COMP. EJE DE MANDO COMPL. | 1 | 1 | 1 | 1 | L (21.7") L (21.7") |
| | 66T-45501-21 | DRIVE SHAFT COMP. EJE DE MANDO COMPL. | 1 | | | | X (25.6") X (25.6") |
| 34 | 93332-00001 | BEARING COJINETE | 1 | 1 | 1 | 1 | |
| 35 | 663-45587-01 | SHIM (T:0.10MM) LAINA (T:0.10MM) | 1 | 1 | 1 | 1 | UR UR |
| | 663-45587-10 | SHIM (T:0.12MM) LAINA (T:0.12MM) | 1 | 1 | 1 | 1 | UR UR |
| | 663-45587-20 | SHIM (T:0.15MM) LAINA (T:0.15MM) | 1 | 1 | 1 | 1 | UR UR |
| | 663-45587-30 | SHIM (T:0.18MM) LAINA (T:0.18MM) | 1 | 1 | 1 | 1 | UR UR |
| | 663-45587-40 | SHIM (T:0.30MM) LAINA (T:0.30MM) | 1 | 1 | 1 | 1 | UR UR |
| | 663-45587-50 | SHIM (T:0.40MM) LAINA (T:0.40MM) | 1 | 1 | 1 | 1 | UR UR |
| | 663-45587-60 | SHIM (T:0.50MM) LAINA (T:0.50MM) | 1 | 1 | 1 | 1 | UR UR |
| 36 | 66T-45551-00 | PINION (13T) PINON (13T) | 1 | 1 | 1 | 1 | |
| 37 | 90170-12138 | NUT TUERCA | 1 | 1 | 1 | 1 | |
| 38 | 66T-45560-01 | GEAR 1 (26T) ENGRANAJE 1 (26T) | 1 | 1 | 1 | 1 | |
| 39 | 93332-00003 | BEARING COJINETE | 1 | 1 | 1 | 1 | |
| 40 | 663-45567-01 | SHIM (T:0.10MM) LAINA(T:0.10MM) | 1 | 1 | 1 | 1 | UR UR |



66TA200-E230

FIG. 23 LOWER CASING & DRIVE 1 IMPULSOR E INFERIOR 1

| REF. NO. | PART NO. CODIGO Nº | DESCRIPTION DESCRIPCION | MH | WH | W | WT | REMARKS OBSERVACIONES |
|----------|--------------------|--|----|----|---|----|-----------------------|
| 40 | 663-45567-10 | SHIM (T:0.12MM) LAINA (T:0.12MM) | 1 | 1 | 1 | 1 | UR UR |
| | 663-45567-20 | SHIM (T:0.15MM) LAINA (T:0.15MM) | 1 | 1 | 1 | 1 | UR UR |
| | 663-45567-30 | SHIM (T:0.18MM) LAINA (T:0.18MM) | 1 | 1 | 1 | 1 | UR UR |
| | 663-45567-40 | SHIM (T:0.30MM) LAINA (T:0.30MM) | 1 | 1 | 1 | 1 | UR UR |
| | 663-45567-50 | SHIM (T:0.40MM) LAINA (T:0.40MM) | 1 | 1 | 1 | 1 | UR UR |
| | 663-45567-60 | SHIM (T:0.50MM) LAINA (T:0.50MM) | 1 | 1 | 1 | 1 | UR UR |
| 41 | 66T-45571-00 | GEAR 2 (26T) ENGRANAJE 2 (26T) | 1 | 1 | 1 | 1 | |
| 42 | 90201-22429 | WASHER, PLATE ARANDELA PLANA | 1 | 1 | 1 | 1 | |
| 43 | 63D-45577-00 | SHIM (T:0.10MM) LAINA (T:0.10MM) | 1 | 1 | 1 | 1 | UR UR |
| | 63D-45577-10 | SHIM (T:0.12MM) LAINA (T:0.12MM) | 1 | 1 | 1 | 1 | UR UR |
| | 63D-45577-20 | SHIM (T:0.15MM) LAINA (T:0.15MM) | 1 | 1 | 1 | 1 | UR UR |
| | 63D-45577-30 | SHIM (T:0.18MM) LAINA (T:0.18MM) | 1 | 1 | 1 | 1 | UR UR |
| | 63D-45577-40 | SHIM (T:0.30MM) LAINA (T:0.30MM) | 1 | 1 | 1 | 1 | UR UR |
| | 63D-45577-50 | SHIM (T:0.40MM) LAINA (T:0.40MM) | 1 | 1 | 1 | 1 | UR UR |
| | 63D-45577-60 | SHIM (T:0.50MM) LAINA (T:0.50MM) | 1 | 1 | 1 | 1 | UR UR |
| 44 | 63D-45361-02-4D | CAP, LOWER CASING FUNDA INFERIOR | 1 | 1 | 1 | 1 | |
| 45 | 93306-001U1 | BEARING COJINETE | 1 | 1 | 1 | 1 | |
| 46 | 93210-69MG6 | O-RING ANILLO O | 1 | 1 | 1 | 1 | |
| 47 | 93210-74MG5 | O-RING ANILLO O | 2 | 2 | 2 | 2 | |
| 48 | 93317-22204 | BEARING COJINETE | 1 | 1 | 1 | 1 | |
| 49 | 93101-22M00 | OIL SEAL SELLO ACEITE | 2 | 2 | 2 | 2 | |
| 50 | 90105-08M61 | BOLT, FLANGE TORNILLO | 2 | 2 | 2 | 2 | |
| 51 | 66T-45631-00 | CLUTCH, DOG EMBRAGUE DE GARRA | 1 | 1 | 1 | 1 | |
| 52 | 90501-15M01 | SPRING, COMPRESSION RESORTE DE COMPRESION | 1 | 1 | 1 | 1 | |
| 53 | 90250-06023 | PIN, STRAIGHT PASADOR CILINDRICO | 1 | 1 | 1 | 1 | |
| 54 | 663-45633-00 | RING, CROSS PIN ANILLO DE PASADOR | 1 | 1 | 1 | 1 | |
| 55 | 66T-45635-00 | PLUNGER, SHIFT EMBOLO DE CAMBIO | 1 | 1 | 1 | 1 | |

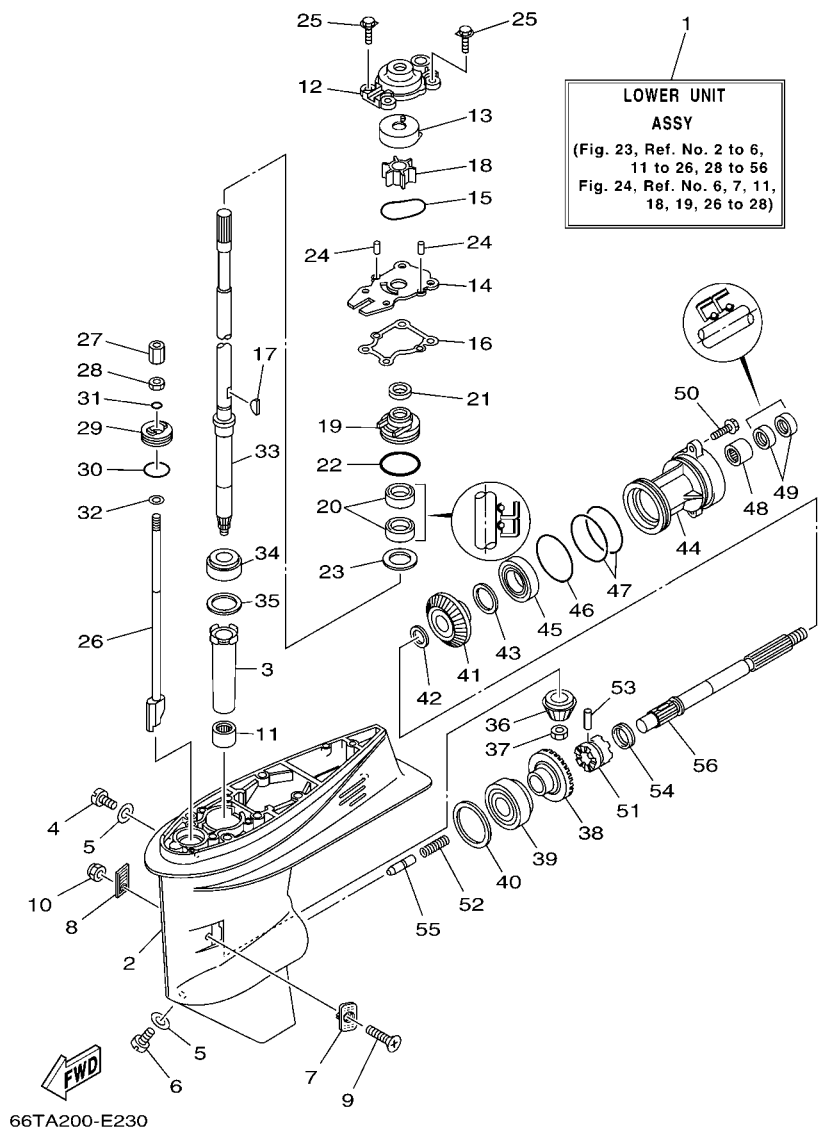
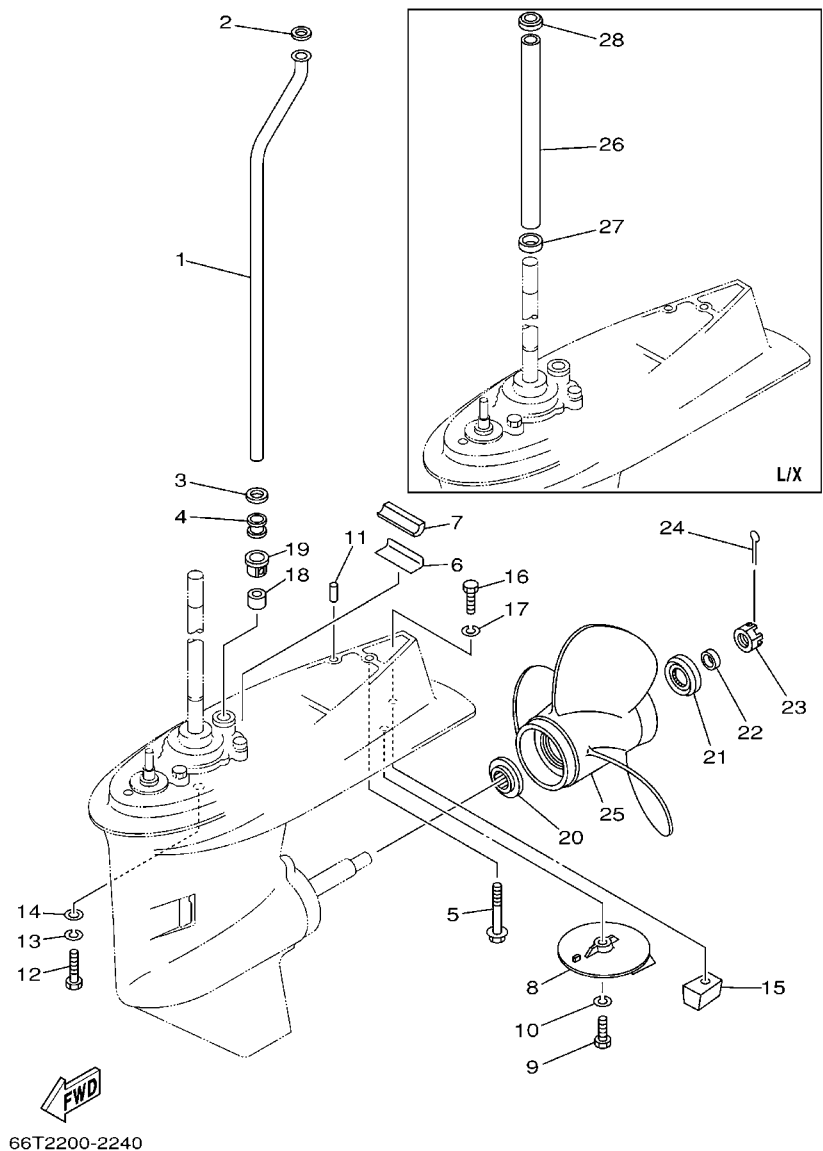


FIG. 23 LOWER CASING & DRIVE 1 IMPULSOR E INFERIOR 1

| REF. NO. | PART NO. CODIGO Nº | DESCRIPTION DESCRIPCION | MH | WH | W | WT | REMARKS OBSERVACIONES |
|----------|--------------------|-------------------------------|----|----|---|----|-----------------------|
| 56 | 66T-45611-00 | SHAFT, PROPELLER EJE PROPUSOR | 1 | 1 | 1 | 1 | |
| ----- | | | | | | | |
| ----- | | | | | | | |
| ----- | | | | | | | |
| ----- | | | | | | | |
| ----- | | | | | | | |
| ----- | | | | | | | |
| ----- | | | | | | | |
| ----- | | | | | | | |
| ----- | | | | | | | |
| ----- | | | | | | | |

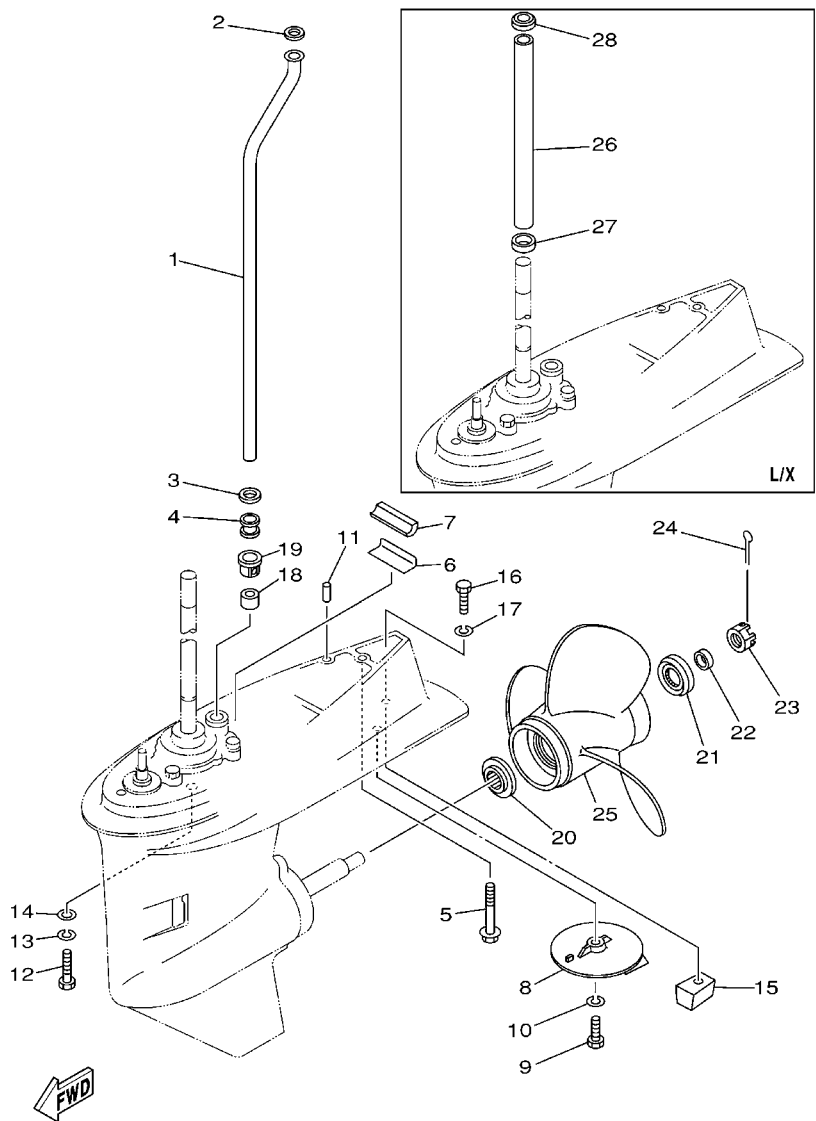
FIG. 24 LOWER CASING & DRIVE 2

IMPULSOR E INFERIOR 2



| REF. NO. | PART NO. CODIGO Nº | DESCRIPTION DESCRIPCION | MH | WH | W | WT | REMARKS OBSERVACIONES |
|----------|--------------------|--|----|----|---|----|--|
| 1 | 66T-44361-00 | TUBE, WATER TUBO DE AGUA | 1 | | 1 | | S (16.7") S (16.7") |
| | 66T-44361-10 | TUBE, WATER TUBO DE AGUA | 1 | 1 | 1 | 1 | L (21.7") L (21.7") |
| | 66T-44361-20 | TUBE, WATER TUBO DE AGUA | 1 | | | | X (25.6") X (25.6") |
| 2 | 90202-12060 | WASHER, PLATE ARANDELA DE PLANA | 1 | 1 | 1 | 1 | |
| 3 | 90430-12072 | GASKET JUNTA | 1 | 1 | 1 | 1 | |
| 4 | 663-44367-00 | DAMPER, WATER SEAL GOMA DEL SELLO DE AGUA | 1 | 1 | 1 | 1 | |
| 5 | 90119-08M44 | BOLT, WITH WASHER TORNILLO CON ARANDELA | 1 | 1 | 1 | 1 | S(16.7"),L(21.7") S(16.7"),L(21.7") |
| | 90119-08M43 | BOLT, WITH WASHER TORNILLO CON ARANDELA | 1 | | | | X(25.6") X(25.6") |
| 6 | 663-45376-00-94 | GUIDE, SEAL DAMPER GUIA DE SELLO GOMA | 1 | 1 | 1 | 1 | |
| 7 | 63D-45375-00 | DAMPER, SEAL GOMA DE SELLO | 1 | 1 | 1 | 1 | |
| 8 | 664-45371-01 | TAB-TRIM QUILLA ESTABILIZADOR | 1 | 1 | 1 | 1 | |
| 9 | 97095-08025 | BOLT PERNO | 1 | 1 | 1 | 1 | |
| 10 | 92995-08100 | WASHER ARANDELA | 1 | 1 | 1 | 1 | |
| 11 | 93606-12019 | PIN, DOWEL PASADOR DE CLAVIJA | 2 | 2 | 2 | 2 | |
| 12 | 97075-10040 | BOLT PERNO | 4 | 4 | 4 | 4 | S(16.7"),L(21.7") S(16.7"),L(21.7") |
| 13 | 92995-10100 | WASHER ARANDELA | 4 | 4 | 4 | 4 | S(16.7"),L(21.7") S(16.7"),L(21.7") |
| 14 | 92995-10600 | WASHER ARANDELA | 4 | 4 | 4 | 4 | S(16.7"),L(21.7") S(16.7"),L(21.7") |
| 15 | 67C-45251-00 | ANODE CATODE | 1 | 1 | 1 | 1 | |
| 16 | 97095-08035 | BOLT PERNO | 1 | 1 | 1 | 1 | |
| 17 | 92995-08100 | WASHER ARANDELA | 1 | 1 | 1 | 1 | |
| 18 | 663-44366-00 | DAMPER, WATER SEAL GOMA DEL SELLO DE AGUA | 1 | 1 | 1 | 1 | |
| 19 | 63D-44312-00 | COVER, WATER PUMP HOUSING CUBIERTA CAJA BOMBA DE AGUA | 1 | 1 | 1 | 1 | |
| 20 | 663-45987-02 | SPACER ESPACIADOR | 1 | 1 | 1 | 1 | |
| 21 | 66T-45997-00 | SPACER ESPACIADOR | 1 | 1 | 1 | 1 | |
| 22 | 90389-22M01 | BUSH BUJE | 1 | 1 | 1 | 1 | |
| 23 | 90171-16011 | NUT, CASTLE TUERCA ENTALLADA | 1 | 1 | 1 | 1 | |
| 24 | 91490-30025 | PIN, COTTER CHAVETA | 1 | 1 | 1 | 1 | |

FIG. 24 LOWER CASING & DRIVE 2 IMPULSOR E INFERIOR 2

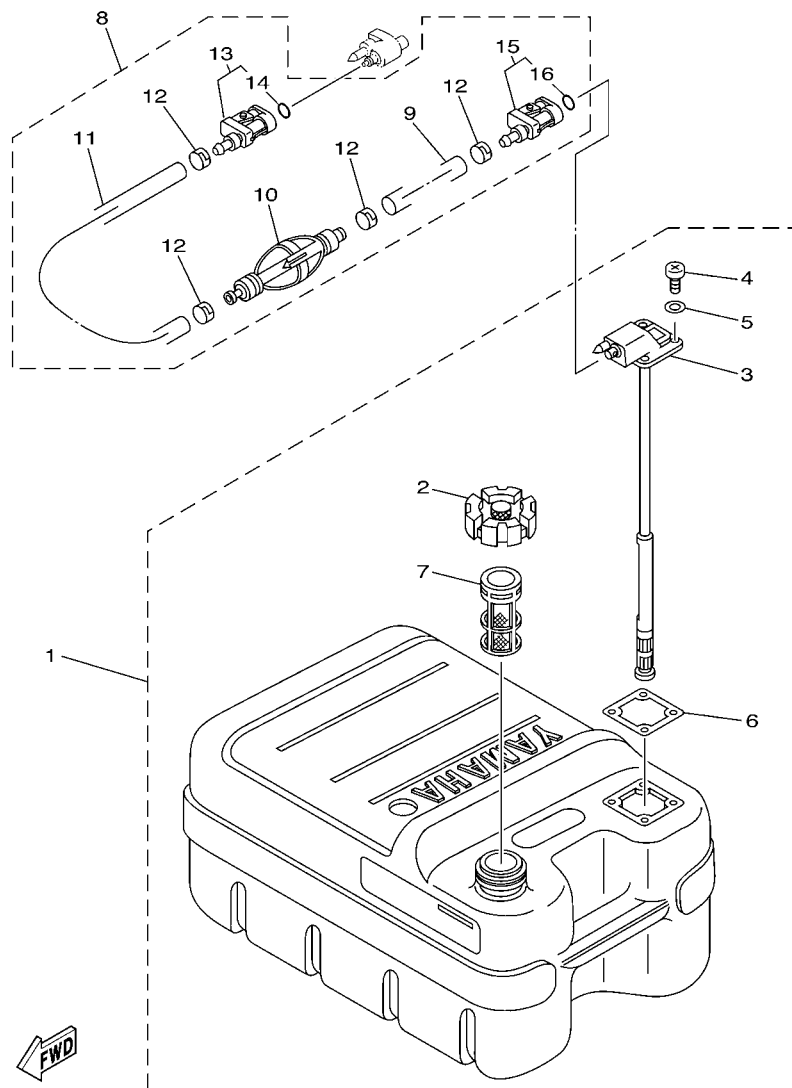


66T2200-2240

| REF. NO. | PART NO. CODIGO Nº | DESCRIPTION DESCRIPCION | MH | WH | W | WT | REMARKS OBSERVACIONES |
|----------|--------------------|--|----|----|---|----|--|
| 25 | 69W-45943-00-EL | PROPELLER (3X11"X15"-G) PROPELA (3X11"X15"-G) | 1 | 1 | 1 | 1 | UR UR |
| | 69W-45945-00-EL | PROPELLER (3X11-1/8"X13"-G) PROPELA (3X11-1/8"X13"-G) | 1 | 1 | 1 | 1 | UR UR |
| | 69W-45947-00-EL | PROPELLER (3X11-5/8"X11"-G) PROPELA (3X11-5/8"X11"-G) | 1 | 1 | 1 | 1 | UR UR |
| | 69W-45952-00-EL | PROPELLER (3X11-3/8"X12"-G) PROPELA (3X11-3/8"X12"-G) | 1 | 1 | 1 | 1 | UR UR |
| | 69W-45958-00-EL | PROPELLER (3X11-1/4"X14"-G) PROPELA (3X11-1/4"X14"-G) | 1 | 1 | 1 | 1 | UR UR |
| | 63D-45941-00-EL | PROPELLER (3X12-1/4"X8"-G) PROPELA (3X12-1/4"X8"-G) | 1 | 1 | 1 | 1 | UR UR |
| | 663-45941-01-EL | PROPELLER (3X10-3/4"X17"-G) PROPELA (3X10-3/4"X17"-G) | 1 | 1 | 1 | 1 | UR UR |
| | 663-45949-01-EL | PROPELLER (3X10-3/4"X16"-G) PROPELA (3X10-3/4"X16"-G) | 1 | 1 | 1 | 1 | UR UR |
| | 663-45952-02-EL | PROPELLER (3X11-3/8"X12"-G) PROPELA (3X11-3/8"X12"-G) | 1 | 1 | 1 | 1 | UR UR |
| | 663-45954-01-EL | PROPELLER (3X11-3/4"X10"-G) PROPELA (3X11-3/4"X10"-G) | 1 | 1 | 1 | 1 | UR UR |
| | 663-45956-01-EL | PROPELLER (3X12-1/4"X9"-G) PROPELA (3X12-1/4"X9"-G) | 1 | 1 | 1 | 1 | UR UR |
| | 663-45958-01-EL | PROPELLER (3X11-1/4"X14"-G) PROPELA (3X11-1/4"X14"-G) | 1 | 1 | 1 | 1 | UR UR |
| | 663-45930-00-98 | PROPELLER (3X10-1/4"X14"-G) PROPELA (3X10-1/4"X14"-G) | 1 | 1 | 1 | 1 | UR UR |
| | 663-45976-00-98 | PROPELLER (3X10-1/4"X15"-G) PROPELA (3X10-1/4"X15"-G) | 1 | 1 | 1 | 1 | UR UR |
| | 663-45978-00-98 | PROPELLER (3X10-1/4"X16"-G) PROPELA (3X10-1/4"X16"-G) | 1 | 1 | 1 | 1 | UR UR |
| | 663-45970-60-98 | PROPELLER (3X11-3/4"X12"-G) PROPELA (3X11-3/4"X12"-G) | 1 | 1 | 1 | 1 | UR UR |
| | 663-45972-60-98 | PROPELLER (3X12"X11"-G) PROPELA (3X12"X11"-G) | 1 | 1 | 1 | 1 | UR UR |
| | 663-45974-60-98 | PROPELLER (3X11-1/2"X13"-G) PROPELA (3X11-1/2"X13"-G) | 1 | 1 | 1 | 1 | UR UR |
| 26 | 66T-44362-10 | TUBE, WATER TUBO DE AGUA | 1 | 1 | 1 | 1 | L(21.7") L(21.7") |
| | 66T-44362-20 | TUBE, WATER TUBO DE AGUA | 1 | | | | X(25.6") X(25.6") |
| 27 | 90480-25M70 | GROMMET TAPON | 1 | 1 | 1 | 1 | L(21.7"),X(25.6") L(21.7"),X(25.6") |
| 28 | 90480-30M71 | GROMMET TAPON | 1 | 1 | 1 | 1 | L(21.7"),X(25.6") L(21.7"),X(25.6") |

FIG. 25 FUEL TANK

DEPOSITO DE COMBUSTIBLE

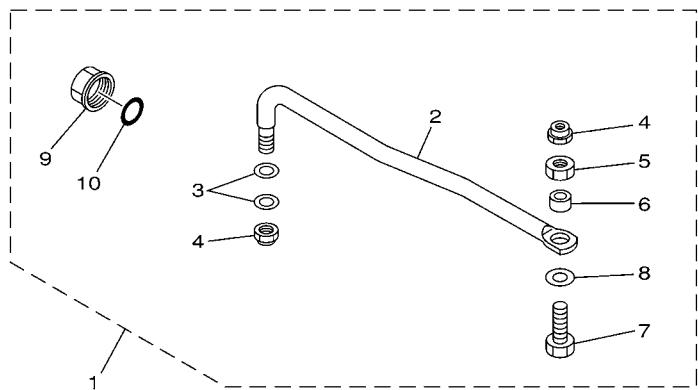


68U3100-C240

| REF. NO. | PART NO. CODIGO Nº | DESCRIPTION DESCRIPCION | MH | WH | W | WT | REMARKS OBSERVACIONES |
|----------|--------------------|---|----|----|---|----|----------------------------------|
| 1 | 6YJ-24201-00 | FUEL TANK ASSY (24L) TANQUE DEL COMBUSTIBLE (24L) | 1 | 1 | 1 | 1 | AP AP |
| | 6YJ-24201-10 | FUEL TANK ASSY (24L) TANQUE DEL COMBUSTIBLE (24L) | 1 | 1 | 1 | 1 | AP FOR CHN,RUS AP FOR CHN,RUS |
| 2 | 6YJ-24610-01 | .CAP ASSY .TAPA COMPLETA | 1 | 1 | 1 | 1 | |
| 3 | 6YJ-24260-00 | .FUEL METER ASSY .MEDIDOR DE COMBUSTIBLE COMPL. | 1 | 1 | 1 | 1 | |
| | 6Y1-24260-12 | .FUEL METER ASSY .MEDIDOR DE COMBUSTIBLE COMPL. | 1 | 1 | 1 | 1 | FOR CHN,RUS FOR CHN,RUS |
| 4 | 98586-05016 | .SCREW, PAN HEAD .TORNILLO DE CABEZA CON PLANA | 4 | 4 | 4 | 4 | |
| 5 | 6Y1-24329-00 | .SEAL .SELLO | 4 | 4 | 4 | 4 | |
| 6 | 6Y1-24268-00 | .GASKET, FUEL METER .EMPAQ MEDIDOR DE COMBUSTIBLE | 1 | 1 | 1 | 1 | |
| 7 | 6YJ-24167-00 | .STRAINER .COLADOR | 1 | 1 | 1 | 1 | |
| 8 | 61J-24306-04 | FUEL PIPE COMP. 1 TUBO COMBUST. COMPL 1 | 1 | 1 | 1 | 1 | AP AP |
| 9 | 90445-11M06 | .HOSE (L2050) .MANGUERA (L2050) | 1 | 1 | 1 | 1 | |
| 10 | 61J-24360-00 | .PRIMER PUMP ASSY .SOPORTE BOMBA | 1 | 1 | 1 | 1 | |
| 11 | 90445-11M05 | .HOSE (L850) .MANGUERA (L850) | 1 | 1 | 1 | 1 | |
| 12 | 650-24351-01 | .BAND 1 .ABRAZADERA 1 | 4 | 4 | 4 | 4 | |
| 13 | 6G1-24305-05 | .FUEL PIPE JOINT COMP. 2 .CONECTOR MANGUERA COMBUST. 2 | 1 | 1 | 1 | 1 | |
| 14 | 93210-08287 | ..O-RING ..ANILLO O | 1 | 1 | 1 | 1 | |
| 15 | 6Y1-24305-06 | .FUEL PIPE JOINT COMP. 2 .CONECTOR MANGUERA COMBUST. 2 | 1 | 1 | 1 | 1 | |
| 16 | 93210-08287 | ..O-RING ..ANILLO O | 1 | 1 | 1 | 1 | |

FIG. 26 STEERING GUIDE

DIRECCIONGUIAR

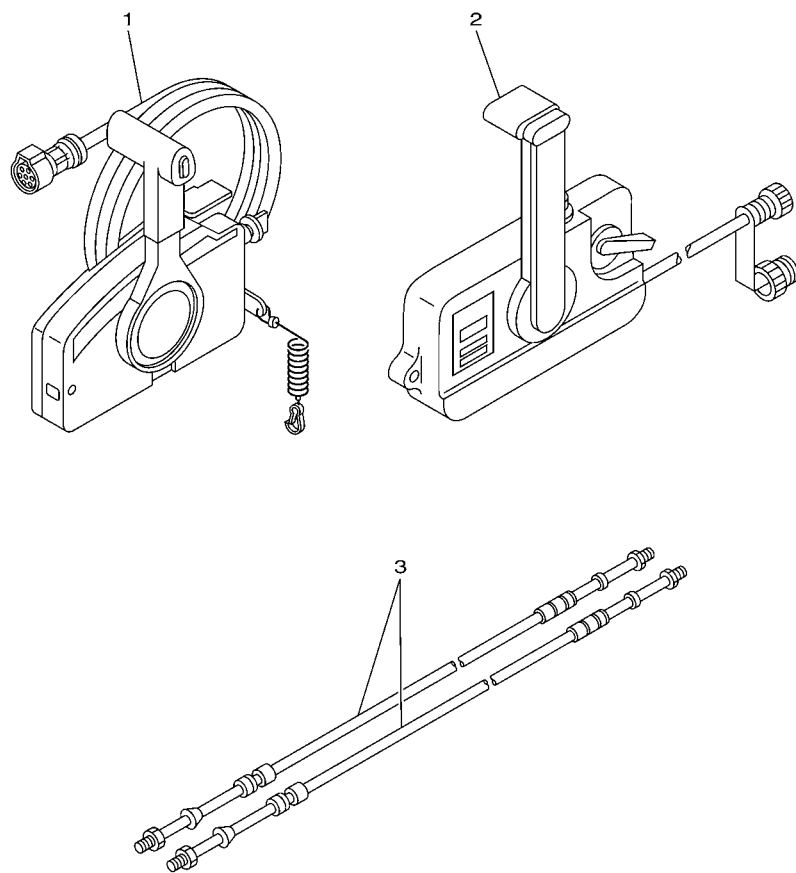


65W0010-8210

| REF. NO. | PART NO. CODIGO Nº | DESCRIPTION DESCRIPCION | MH | WH | W | WT | REMARKS OBSERVACIONES |
|----------|--------------------|---|----|----|---|----|--|
| 1 | 65W-61350-00 | STEERING GUIDE ATTACHMENT KIT ESTUCHE ADITAMENTO GUIA DE TIM | | | 1 | 1 | AP CAR,CHN,ARG,RUS AP CAR,CHN,ARG,RUS |
| 2 | 65W-61351-00 | .ROD, STEERING LINK .VARILLA ESLABON DIRECCION | | | 1 | 1 | |
| 3 | 90201-10M20 | .WASHER, PLATE .ARANDELA PLANA | | | 2 | 2 | |
| 4 | 90185-09M01 | .NUT, SELF-LOCKING .TUERCA AUTOBLOCANTE | | | 2 | 2 | |
| 5 | 90170-09M03 | .NUT .TUERCA | | | 1 | 1 | |
| 6 | 90387-10M42 | .COLLAR .ESPACIADOR | | | 1 | 1 | |
| 7 | 90101-09M01 | .BOLT .TORNILLO | | | 1 | 1 | |
| 8 | 90201-10M63 | .WASHER, PLATE .ARANDELA PLANA | | | 1 | 1 | |
| 9 | 6E5-43145-01 | .CAP, CLAMP BRACKET .TAPA | | | 1 | 1 | |
| 10 | 93210-16275 | .O-RING .ANILLO O | | | 1 | 1 | |
| | | | | | | | |
| | | | | | | | |
| | | | | | | | |
| | | | | | | | |
| | | | | | | | |
| | | | | | | | |
| | | | | | | | |
| | | | | | | | |
| | | | | | | | |
| | | | | | | | |

FIG. 27 REMOTE CONTROL BOX

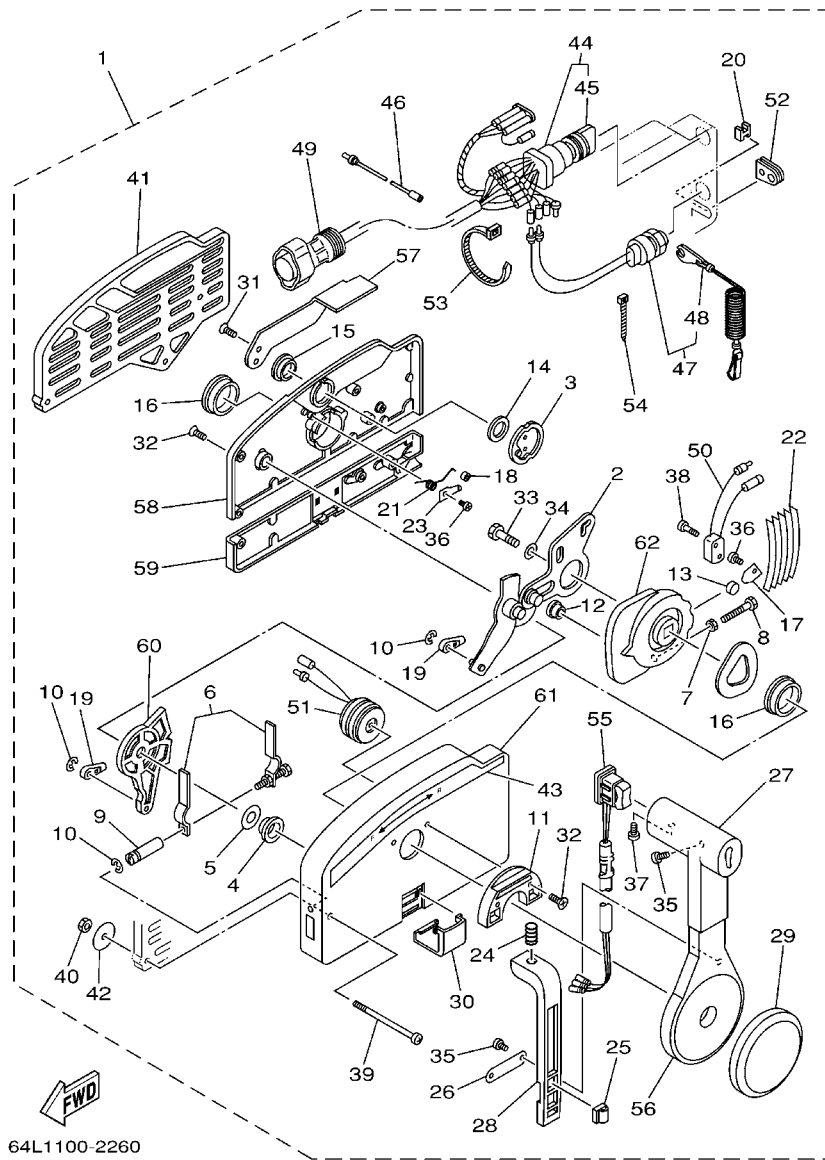
CONTROL REMOTO COMPLETO



| REF. NO. | PART NO. CODIGO Nº | DESCRIPTION DESCRIPCION | MH | WH | W | WT | REMARKS OBSERVACIONES |
|----------|--------------------|--|----|----|---|----|--------------------------------------|
| 1 | 703-48205-17 | REMOTE CONTROL ASSY (10P) REMOTO CONTROL COMPL. (10P) | | | | 1 | AP WITH PT/T SW. AP WITH PT/T SW. |
| | 703-48203-15 | REMOTE CONTROL ASSY (7P) REMOTO CONTROL COMPL. (7P) | | | 1 | | AP AP |
| 2 | 701-48140-E0 | REMOTE CONTROL ASSY (LEFT) REMOTO CONTROL COMPL (ZURDO) | | | 1 | | AP FOR RUS AP FOR RUS |
| 3 | 701-48320-00 | CABLE, REMOTE CONTROL L=12F CABLE CONTROL REMOTO L=12F | | | 2 | 2 | UR UR |
| | 701-48320-20 | CABLE, REMOTE CONTROL L=13F CABLE CONTROL REMOTO L=13F | | | 2 | 2 | UR UR |
| | 701-48320-50 | CABLE, REMOTE CONTROL L=15F CABLE CONTROL REMOTO L=15F | | | 2 | 2 | UR UR |
| | | | | | | | |
| | | | | | | | |
| | | | | | | | |
| | | | | | | | |
| | | | | | | | |
| | | | | | | | |


69R3200-3260

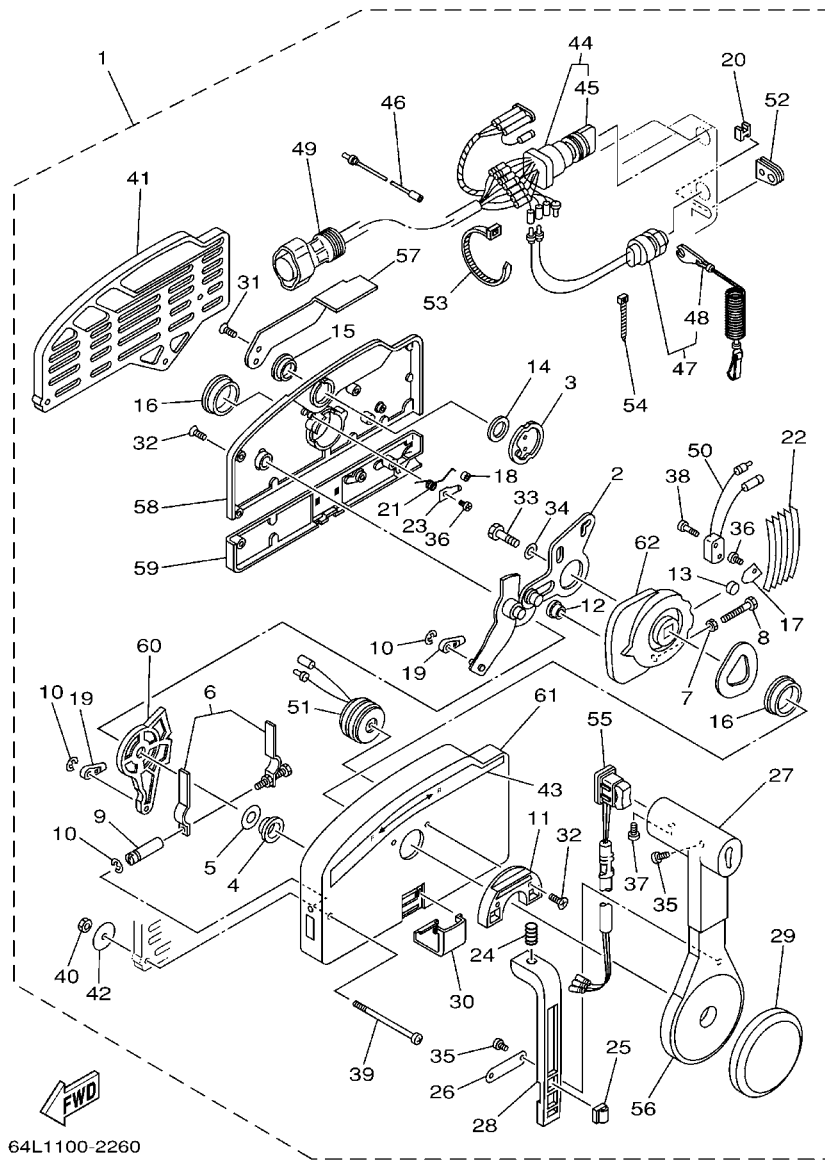
FIG. 28 REMOTE CONTROL ASSY 1 CONTROL REMOTO COMPL 1



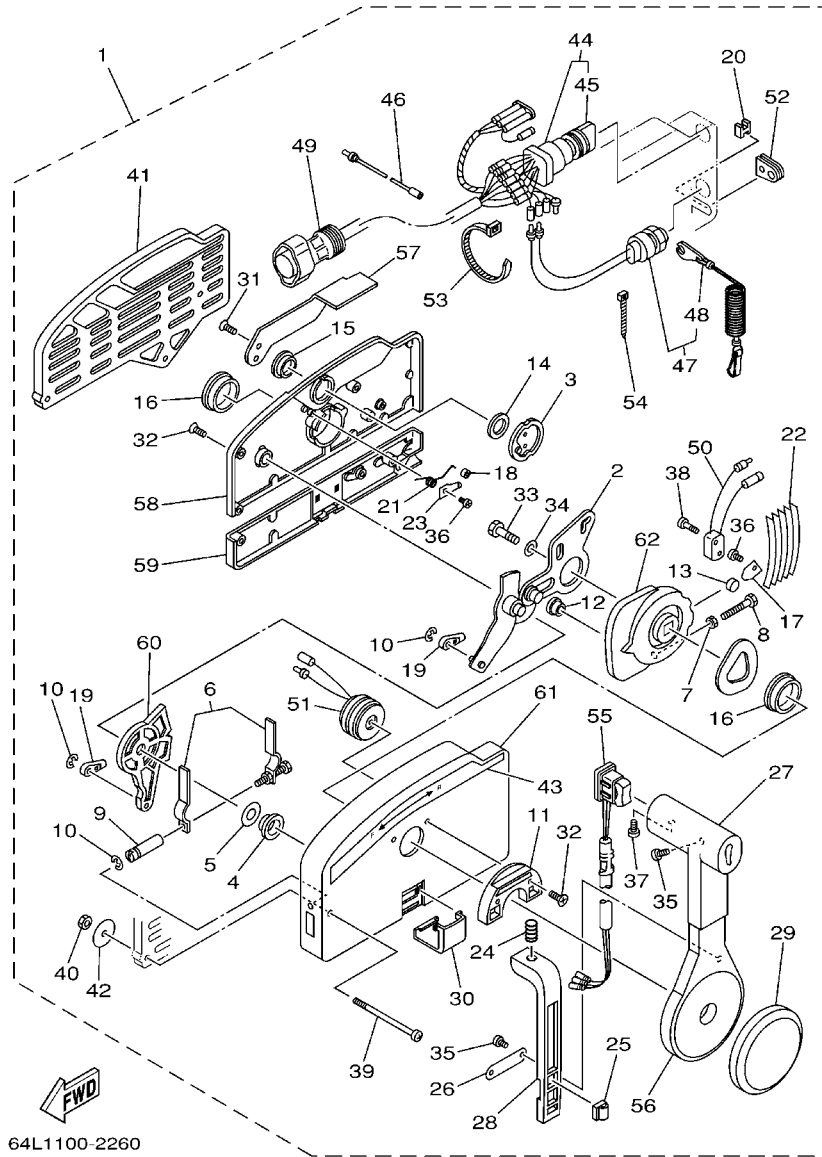
64L1100-2260

| REF. NO. | PART NO. CODIGO Nº | DESCRIPTION DESCRIPCION | MH | WH | W | WT | REMARKS OBSERVACIONES |
|----------|--------------------|--|----|----|---|----|--------------------------------------|
| 1 | 703-48205-17 | REMOTE CONTROL ASSY (10P) REMOTO CONTROL COMPL. (10P) | | | | 1 | AP WITH PT/T SW. AP WITH PT/T SW. |
| | 703-48203-15 | REMOTE CONTROL ASSY (7P) REMOTO CONTROL COMPL. (7P) | | | 1 | | AP AP |
| 2 | 703-48261-01 | .ARM, THROTTLE .BRAZO ACELERADOR | | | 1 | 1 | |
| 3 | 703-48153-00 | .SHAFT, FREE ACCEL. .EJE | | | 1 | 1 | |
| 4 | 703-48235-00 | .BUSHING .BUJE | | | 1 | 1 | |
| 5 | 703-48268-00 | .SPACER .ESPACIADOR 3 | | | 1 | 1 | |
| 6 | 703-48264-00 | .FRICTION, THROTTLE .FRICCION DE ACELERADOR | | | 1 | 1 | |
| 7 | 95380-05600 | .NUT .TUERCA | | | 1 | 1 | |
| 8 | 97380-05025 | .BOLT .TORNILLO HEXAGONAL | | | 1 | 1 | |
| 9 | 703-48265-00 | .SHAFT, FRICTION .EJE FRICCION | | | 1 | 1 | |
| 10 | 93430-06024 | .CIRCLIP .SEGURO | | | 3 | 3 | |
| 11 | 703-48245-00 | .PLATE, LOCK .PLACA CERRADURA | | | 1 | 1 | |
| 12 | 703-48252-00 | .ROLLER, CAM .RODILLO LEVA | | | 1 | 1 | |
| 13 | 701-48248-00 | .ROLLER, FREE ACCEL. .RODILLO ACELERADOR LIBRE | | | 1 | 1 | |
| 14 | 703-48198-00 | .WASHER, WAVE .RONDANA ONDULADA 3 | | | 1 | 1 | |
| 15 | 703-48243-00 | .BUSHING .BUJE 3 | | | 1 | 1 | |
| 16 | 703-48236-00 | .BUSHING 1 .BUJE | | | 2 | 2 | |
| 17 | 703-48189-00 | .RETAINER .RETENEDOR | | | 1 | 1 | |
| 18 | 703-48234-00 | .ROLLER, DETENT .RODILLO | | | 1 | 1 | |
| 19 | 703-48345-01 | .CABLE END, REMOTE CONTROL 2 .TERMINAL CABLE DE CONTROL REM | | | 2 | 2 | |
| 20 | 703-48358-00 | .ANCHOR, CABLE .ABRAZADERA CABLE | | | 1 | 1 | |
| 21 | 703-48244-00 | .SPRING, FREE ACCEL. .RESORTE ACELERADOR LIBRE | | | 1 | 1 | |
| 22 | 703-48238-00 | .SPRING, DETENT .RESORTE | | | 5 | 5 | |
| 23 | 703-48246-00 | .SPACER .ESPACIADOR | | | 1 | 1 | |
| 24 | 703-48227-00 | .SPRING, NEUTRAL LOCK .RESORTE DE SEGURO | | | 1 | 1 | |
| 25 | 703-82594-00 | .CLAMP .GRAMPA | | | | 1 | WITH PT/T SW. WITH PT/T SW. |
| 26 | 703-48226-00 | .PLATE, STOPPER .PLACA RETEN | | | 1 | 1 | |

FIG. 28 REMOTE CONTROL ASSY 1 CONTROL REMOTO COMPL 1



| REF. NO. | PART NO. CODIGO Nº | DESCRIPTION DESCRIPCION | MH | WH | W | WT | REMARKS OBSERVACIONES |
|----------|--------------------|--|----|----|---|----|--------------------------------------|
| 27 | 703-48222-00 | .GRIP, CONTROL LEVER .MANGO DE PALANCA CONTROL | | | 1 | 1 | SINGLE SINGLE |
| 28 | 703-48223-00 | .LOCK, NEUTRAL .CERRADURA NEUTRO | | | 1 | 1 | |
| 29 | 703-48225-00 | .COVER .CUBIERTA | | | 1 | 1 | |
| 30 | 703-48219-00 | .COVER, LEAD .CUBIERTA | | | 1 | 1 | |
| 31 | 703-48281-00 | .SCREW .TORNILLO 1 | | | 2 | 2 | |
| 32 | 703-48282-00 | .SCREW .TORNILLO 2 | | | 7 | 7 | |
| 33 | 97380-08030 | .BOLT .TORNILLO HEXAGONAL | | | 1 | 1 | |
| 34 | 92990-08600 | .WASHER, PLATE .ARANDELA PLANA | | | 1 | 1 | |
| 35 | 98580-04010 | .SCREW, PAN HEAD .TORNILLO DE CABEZA CRUZADA | | | 3 | 3 | |
| 36 | 98580-04006 | .SCREW, PAN HEAD .TORNILLO DE CABEZA CRUZADA | | | 2 | 2 | |
| 37 | 98580-05010 | .SCREW, PAN HEAD .TORNILLO DE CABEZA CRUZADA | | | 1 | 1 | |
| 38 | 98580-03015 | .SCREW, PAN HEAD .TORNILLO DE CABEZA CRUZADA | | | 2 | 2 | |
| 39 | 703-48291-10 | .SCREW (M6) .TORNILLO (M6) | | | 3 | 3 | |
| 40 | 95380-06600 | .NUT, HEXAGON .TUERCA | | | 3 | 3 | |
| 41 | 703-48293-10 | .SPACER, REMOTE CONTROL .ESPACIADOR | | | 1 | 1 | SINGLE SINGLE |
| 42 | 701-48287-00 | .WASHER .ARANDELA | | | 3 | 3 | |
| 43 | 703-48215-00 | .GRAPHIC .CALCOMANIA 1 | | | 1 | 1 | |
| 44 | 703-82510-43 | .MAIN SWITCH ASSY .CONJUNTO DE LLAVE IGNICION | | | | 1 | FOR 703-48205-17 FOR 703-48205-17 |
| | 703-82510-33 | .MAIN SWITCH ASSY .CONJUNTO DE LLAVE IGNICION | | | 1 | | FOR 703-48203-15 FOR 703-48203-15 |
| 45 | 703-82577-00 | .CAP, KEY .TAPA | | | 1 | 1 | |
| 46 | 703-82531-00 | .WIRE, LEAD .CABLE CONDUCTOR | | | 1 | 1 | |
| 47 | 688-82575-01 | .ENGINE STOP SWITCH ASSY .INTERRUPTOR DE PARADA COMPL | | | 1 | 1 | |
| 48 | 682-82556-00 | .LANYARD, STOP SWITCH .RETENER | | | 1 | 1 | |
| 49 | 688-8258A-20 | .EXTENSION, WIRE HARNESS .EXTENSION, ARNES DE CABLES | | | | 1 | L:5M (10P) L:5M (10P) |
| | 688-82586-21 | .EXTENSION, WIRE HARNESS .EXTENSION, CONJ. DE CABLES | | | 1 | | L:5M (7P) L:5M (7P) |
| 50 | 703-82540-00 | .NEUTRAL SWITCH ASSY .INTERRUPTOR NEUTRAL COMPL | | | 1 | 1 | |
| 51 | 703-83383-02 | .BUZZER .ZUMBADOR | | | 1 | 1 | |

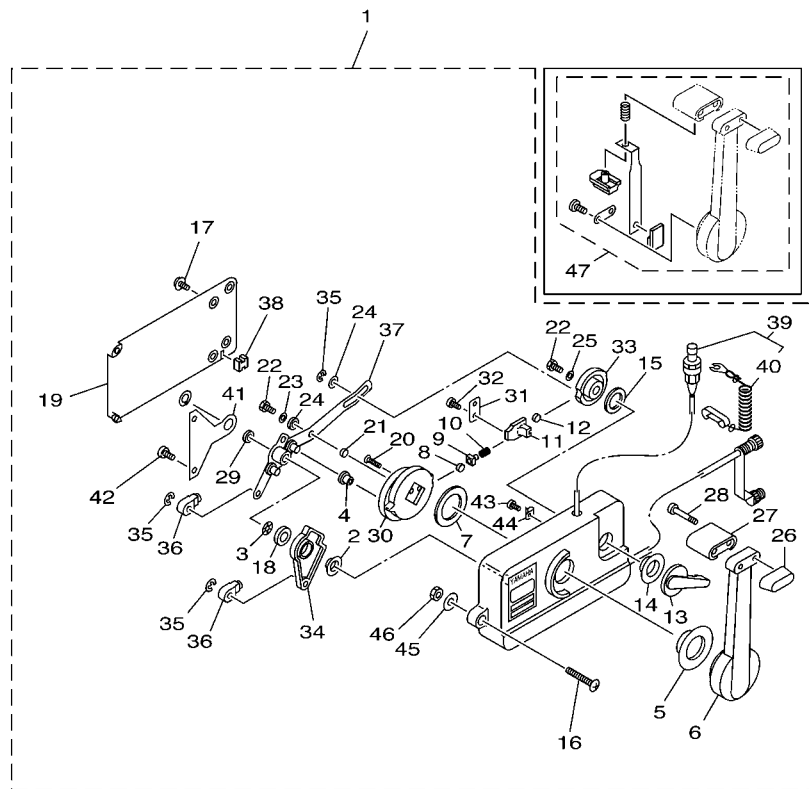


64L1100-2260

FIG. 28 REMOTE CONTROL ASSY 1 CONTROL REMOTO COMPL 1

| REF. NO. | PART NO. CODIGO Nº | DESCRIPTION DESCRIPCION | MH | WH | W | WT | REMARKS OBSERVACIONES |
|----------|--------------------|---|----|----|---|-----|--------------------------------------|
| 52 | 703-48284-00 | .GROMMET .TAPON 1 | | | | 1 1 | |
| 53 | 703-82591-00 | .BAND .BANDA | | | | 1 1 | |
| 54 | 703-82592-00 | .BAND .BANDA | | | | 1 1 | |
| 55 | 703-82563-02 | .TRIM & TILT SWITCH ASSY .INTERRUPTOR DE INCLINACION | | | | 1 | WITH PT/T SW. WITH PT/T SW. |
| | 703-48224-00 | .COVER, CONTROL LEVER .CUBIERTA DE PALANCA CONTROL | | | | 1 | WITHOUT PT/T SW. WITHOUT PT/T SW. |
| 56 | 703-48221-00 | .LEVER, CONTROL .PALANCA CONTROL | | | | 1 1 | |
| 57 | 703-48152-00 | .KNOB, FREE ACCEL. .PERILLA | | | | 1 1 | |
| 58 | 703-48212-00 | .BACK PLATE 1 .PLACA TRASERA 1 | | | | 1 1 | |
| 59 | 703-48213-00 | .BACK PLATE 2 .PLACA TRASERA 2 | | | | 1 1 | |
| 60 | 703-48271-00 | .ARM, SHIFT .BRAZO CAMBIADOR | | | | 1 1 | |
| 61 | 703-48211-01 | .HOUSING,1 .CAJA | | | | 1 1 | |
| 62 | 703-48232-00 | .GEAR .ENGRANAJE 1 | | | | 1 1 | |

FIG. 29 REMOTE CONTROL ASSY 2 CONTROL REMOTO COMPL 2

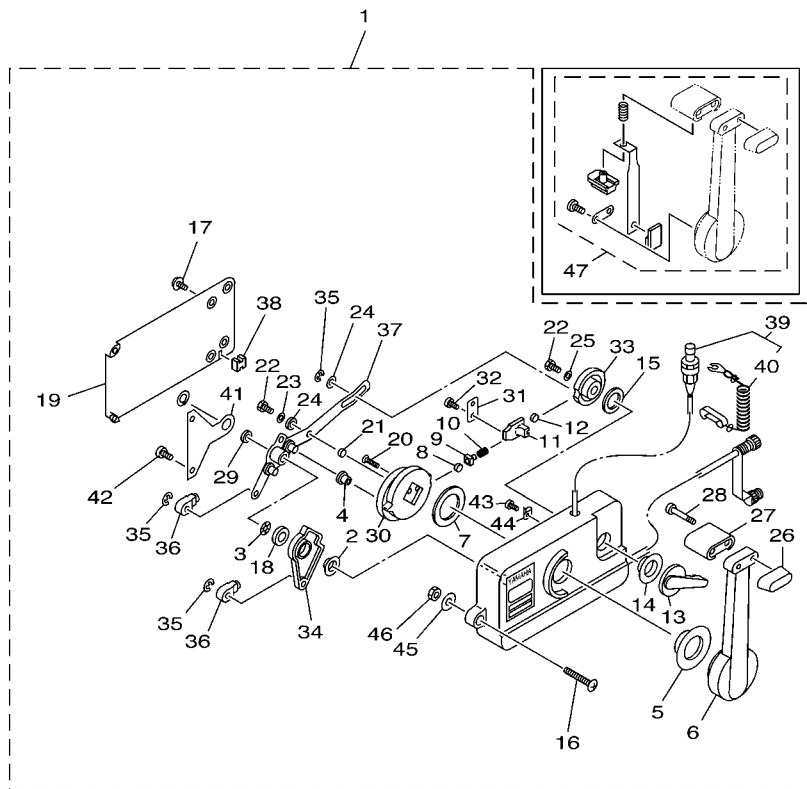


66T4200-3290

| REF. NO. | PART NO. CODIGO Nº | DESCRIPTION DESCRIPCION | MH | WH | W | WT | REMARKS OBSERVACIONES |
|----------|--------------------|--|----|----|---|----|--------------------------|
| 1 | 701-48140-E0 | REMOTE CONTROL ASSY (LEFT) REMOTO CONTROL COMPL (ZURDO) | | | 1 | | AP FOR RUS AP FOR RUS |
| 2 | 701-48235-00 | .BUSHING .BUJE | | | 1 | | |
| 3 | 701-48197-10 | .WASHER, WAVE .RONDANA ONDULADA 2 | | | 1 | | |
| 4 | 701-48252-00 | .ROLLER, CAM .RODILLO LEVA | | | 1 | | |
| 5 | 701-48234-00 | .BUSHING 1 .BUJE | | | 1 | | |
| 6 | 701-48221-00 | .LEVER, CONTROL .PALANCA CONTROL | | | 1 | | |
| 7 | 701-48196-11 | .WASHER, WAVE .ARANDELA ONDULADA | | | 1 | | |
| 8 | 701-48236-00 | .ROLLER, DETENT .RODILLO | | | 1 | | |
| 9 | 702-48237-00 | .ADAPTOR .ADAPTADOR | | | 1 | | |
| 10 | 702-48238-00 | .SPRING, DETENT .RESORTE | | | 1 | | |
| 11 | 701-48249-00 | .ADAPTOR, SPRING .RESORTE ADAPTADOR | | | 1 | | |
| 12 | 701-48248-00 | .ROLLER, FREE ACCEL. .RODILLO ACELERADOR LIBRE | | | 1 | | |
| 13 | 701-48152-20 | .KNOB, FREE ACCEL. .PERILLA | | | 1 | | LEFT LEFT |
| 14 | 701-48243-00 | .BUSHING .BUJE 3 | | | 1 | | |
| 15 | 701-48198-10 | .WASHER, WAVE .RONDANA ONDULADA 3 | | | 1 | | |
| 16 | 701-48281-10 | .SCREW .TORNILLO 1 | | | 3 | | |
| 17 | 701-48289-00 | .SCREW .TORNILLO 4 | | | 4 | | |
| 18 | 701-48268-00 | .SPACER .ESPACIADOR 3 | | | 1 | | |
| 19 | 701-48213-00 | .BACK PLATE 2 .PLACA TRASERA 2 | | | 1 | | |
| 20 | 92780-06025 | .SCREW, FLAT HEAD .TORNILLO CABEZA PLANA | | | 2 | | |
| 21 | 701-48255-00 | .COLLAR .COLLAR 1 | | | 1 | | |
| 22 | 97390-06018 | .BOLT .TORNILLO | | | 2 | | |
| 23 | 702-48288-00 | .WASHER, PLAIN .ARANDELA | | | 1 | | |
| 24 | 701-48246-00 | .SPACER .ESPACIADOR | | | 2 | | |
| 25 | 92990-06300 | .WASHER, INTERNAL TOOTH .ARANDELA PLANA | | | 1 | | |
| 26 | 701-48229-00 | .GRIP, CONTROL LEVER .MANGO DE PALANCA CONTROL 2 | | | 1 | | |
| 27 | 701-48222-00 | .GRIP, CONTROL LEVER .MANGO DE PALANCA CONTROL | | | 1 | | |

B7

FIG. 29 REMOTE CONTROL ASSY 2 CONTROL REMOTO COMPL 2



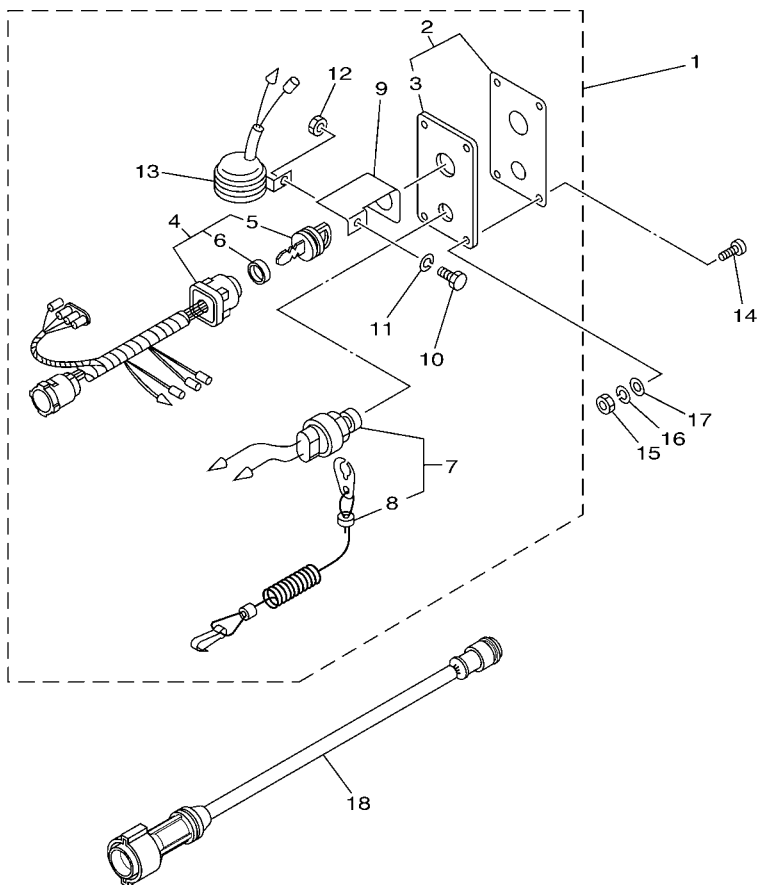
| REF. NO. | PART NO. CODIGO Nº | DESCRIPTION DESCRIPCION | MH | WH | W | WT | REMARKS OBSERVACIONES |
|----------|--------------------|--|----|----|---|----|-----------------------|
| 28 | 701-48282-00 | .SCREW .TORNILLO 2 | | | | 2 | |
| 29 | 701-48266-00 | .SPACER .ESPACIADOR 2 | | | | 1 | |
| 30 | 701-48232-00 | .GEAR .ENGRANAJE 1 | | | | 1 | |
| 31 | 701-48189-11 | .RETAINER .RETENEDOR | | | | 1 | |
| 32 | 98580-05010 | .SCREW, PAN HEAD .TORNILLO DE CABEZA CRUZADA | | | | 2 | |
| 33 | 701-48153-12 | .SHAFT, FREE ACCEL. .EJE | | | | 1 | |
| 34 | 701-48271-10 | .ARM, SHIFT .BRAZO CAMBIADOR | | | | 1 | LEFT LEFT |
| 35 | 93430-06024 | .CIRCLIP .SEGURO | | | | 3 | |
| 36 | 703-48345-01 | .CABLE END, REMOTE CONTROL 2 .TERMINAL CABLE DE CONTROL REM | | | | 2 | |
| 37 | 701-48261-20 | .ARM, THROTTLE .BRAZO ACELERADOR | | | | 1 | |
| 38 | 701-48358-00 | .ANCHOR, CABLE .ABRAZADERA CABLE | | | | 1 | |
| 39 | 701-82575-53 | .ENGINE STOP SWITCH ASSY .INTERRUPTOR DE PARADA COMPL | | | | 1 | |
| 40 | 682-82556-00 | .LANYARD, STOP SWITCH .RETENER | | | | 1 | |
| 41 | 701-48133-00 | .PLATE, LINK .PLACA DE ESLABON | | | | 1 | |
| 42 | 98580-05020 | .SCREW, PAN HEAD .TORNILLO DE CABEZA CRUZADA | | | | 2 | |
| 43 | 701-48283-00 | .SCREW .TORNILLO 3 | | | | 1 | |
| 44 | 701-82594-00 | .CLAMP .GRAMPA | | | | 1 | |
| 45 | 701-48287-00 | .WASHER .ARANDELA | | | | 3 | |
| 46 | 95380-06600 | .NUT, HEXAGON .TUERCA | | | | 3 | |
| 47 | 701-48280-00 | NEUTRAL LOCK KIT TORNILLO | | | | 1 | |



66T4200-3290

FIG. 30 SWITCH & PANEL

PANEL DE INTERRUPTOR



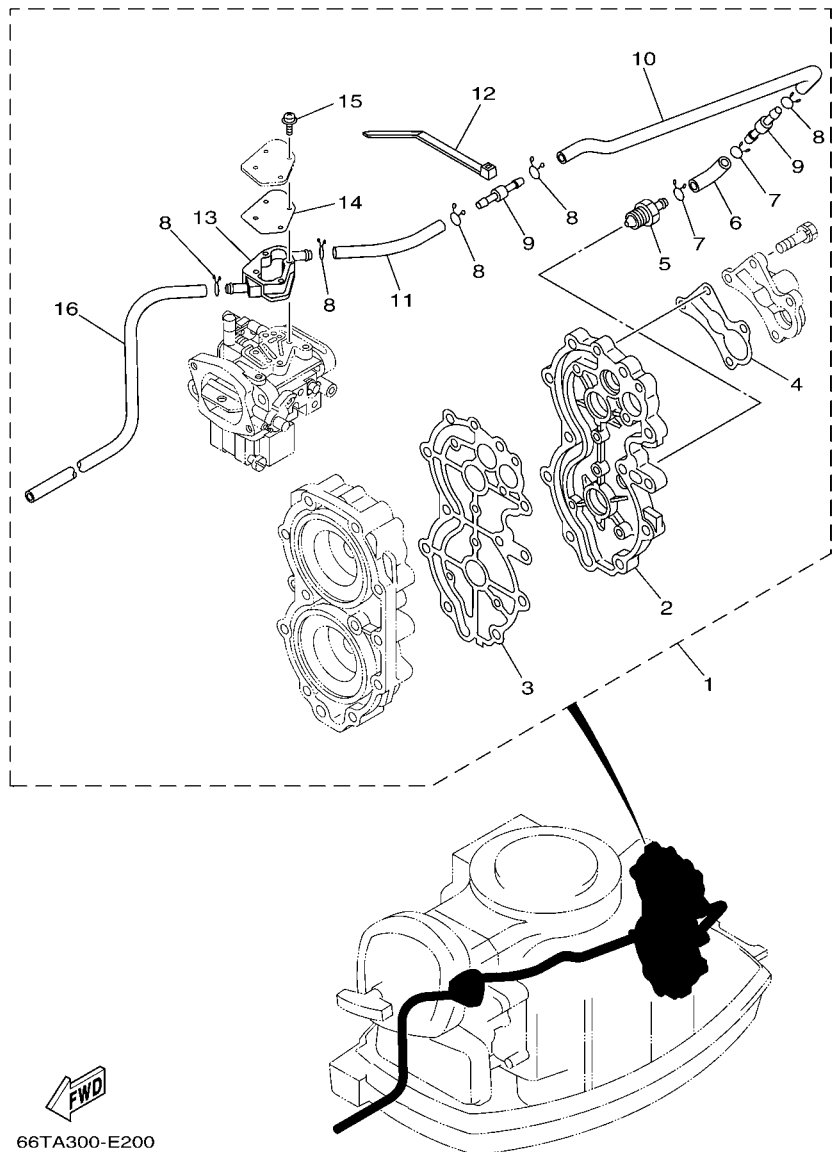
| REF. NO. | PART NO. CODIGO Nº | DESCRIPTION DESCRIPCION | MH | WH | W | WT | REMARKS OBSERVACIONES |
|----------|--------------------|---|----|----|---|----|------------------------------------|
| 1 | 704-82570-08 | PANEL SWITCH ASSY INTERRUPTOR DE PANEL COMPL. | | | 1 | | AP FOR RUS AP FOR RUS |
| 2 | 704-82571-02 | .PANEL, SWITCH .PANEL DE INTERRUPTOR | | | 1 | | |
| 3 | 6R5-82588-01 | ..PLATE ..PLACA | | | 1 | | |
| 4 | 704-82510-07 | .MAIN SWITCH ASSY .CONJUNTO DE LLAVE IGNICION | | | 1 | | |
| 5 | 703-82577-00 | ..CAP, KEY ..TAPA | | | 1 | | |
| 6 | 6K1-82532-00 | ..CAP ..TAPA | | | 1 | | |
| 7 | 688-82575-01 | .ENGINE STOP SWITCH ASSY .INTERRUPTOR DE PARADA COMPL | | | 1 | | |
| 8 | 682-82556-00 | ..LANYARD, STOP SWITCH ..RETENER | | | 1 | | |
| 9 | 64D-82581-00 | .STAY, CORD CLAMP .SOPORTE DE GRAMPA DE CABLE | | | 1 | | |
| 10 | 97303-05012 | .BOLT ..TORNILLO | | | 1 | | |
| 11 | 92903-05100 | .WASHER, SPRING ..RONDANA SENCILLA | | | 1 | | |
| 12 | 95303-05700 | .NUT ..TUERCA | | | 1 | | |
| 13 | 688-83383-11 | .BUZZER ..ZUMBADOR | | | 1 | | |
| 14 | 90149-05M05 | SCREW TORNILLO DE REGLAJE | | | 4 | | AP FOR RUS AP FOR RUS |
| 15 | 95380-05600 | NUT TUERCA | | | 4 | | AP FOR RUS AP FOR RUS |
| 16 | 92990-05100 | WASHER, SPRING ARANDELA PLANA | | | 4 | | AP FOR RUS AP FOR RUS |
| 17 | 92990-05600 | WASHER, PLATE ARANDELA PLANA | | | 4 | | AP FOR RUS AP FOR RUS |
| 18 | 688-82586-50 | EXTENSION, WIRE HARNESS (5M) EXTENSION, CONJ. DE CABLES (5M) | | | 1 | | AP FOR RUS (7P) AP FOR RUS (7P) |



66T6200-C300

FIG. 31 OPTIONAL PARTS

PARTES OPCIONALES

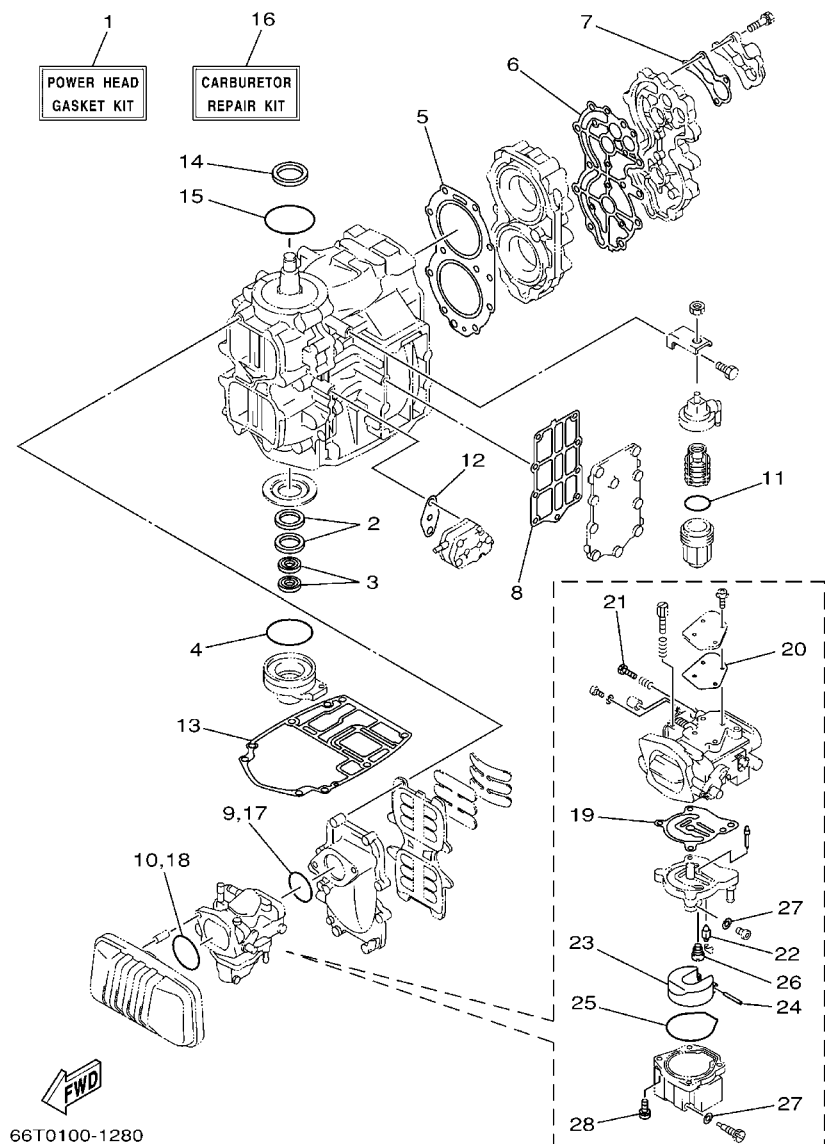



66TA300-E200

| REF. NO. | PART NO. CODIGO Nº | DESCRIPTION DESCRIPCION | MH | WH | W | WT | REMARKS OBSERVACIONES |
|----------|--------------------|---|----|----|---|----|-----------------------|
| 1 | 66T-12440-51 | HEAT EXCHANGER ASSY INTERCAMBIADOR DE CALOR COMPL | 1 | 1 | 1 | 1 | AP AP |
| 2 | 66T-11191-50 | .COVER, CYLINDER HEAD 1 .TAPA CULATA DE CILINDRO 1 | 1 | 1 | 1 | 1 | |
| 3 | 66T-11193-A2 | .GASKET, HEAD COVER 1 .EMPAQUE | 1 | 1 | 1 | 1 | |
| 4 | 676-12414-A1 | .GASKET, COVER .EMPAQUE | 1 | 1 | 1 | 1 | |
| 5 | 66T-12469-00 | .JOINT 1 .CONDUCTO | 1 | 1 | 1 | 1 | |
| 6 | 6E5-24315-00 | .PIPE 5 .TUBO DE DESAGUE | 1 | 1 | 1 | 1 | |
| 7 | 90467-11M08 | .CLIP .PRESILLA | 2 | 2 | 2 | 2 | |
| 8 | 90467-10M04 | .CLIP .PRESILLA | 5 | 5 | 5 | 5 | |
| 9 | 6E5-24379-00 | .PIPE, JOINT 4 .TUBO DE UNION 4 | 2 | 2 | 2 | 2 | |
| 10 | 66T-12481-50 | .PIPE 1 .TUBO 1 | 1 | 1 | 1 | 1 | |
| 11 | 66T-12482-50 | .PIPE 2 .TUBO 2 | 1 | 1 | 1 | 1 | |
| 12 | 90465-13M36 | .CLAMP .BRIDA | 1 | 1 | 1 | 1 | |
| 13 | 66T-12466-00 | .EXCHANGER, HEAT .CAMBIADOR DE CALOR | 1 | 1 | 1 | 1 | |
| 14 | 66T-14536-00 | .GASKET .EMPAQUE | 1 | 1 | 1 | 1 | |
| 15 | 97980-04125 | .SCREW, WITH WASHER .TORNILLO, CON ARANDELA | 4 | 4 | 4 | 4 | |
| 16 | 90445-11M78 | .HOSE (L1000) .TUBO (L1000) | 1 | 1 | 1 | 1 | |
| | | | | | | | |
| | | | | | | | |
| | | | | | | | |

FIG. 32 REPAIR KIT 1

ESTUCHE REPARATION 1



| REF. NO. | PART NO. CODIGO Nº | DESCRIPTION DESCRIPCION | MH | WH | W | WT | REMARKS OBSERVACIONES |
|----------|--------------------|--|----|----|---|----|-----------------------|
| 1 | 66T-W0001-01 | POWER HEAD GASKET KIT JUEGO DE EMPAQUE MOTOR | 1 | 1 | 1 | 1 | |
| 2 | 93102-30M56 | .OIL SEAL .SELLO ACEITE | 2 | 2 | 2 | 2 | |
| 3 | 93101-16001 | .OIL SEAL .SELLO ACEITE | 2 | 2 | 2 | 2 | |
| 4 | 93210-65M50 | .O-RING .ANILLO O | 1 | 1 | 1 | 1 | |
| 5 | 66T-11181-A2 | .GASKET, CYLINDER HEAD 1 JUNTA, DE CULATA 1 | 1 | 1 | 1 | 1 | |
| 6 | 66T-11193-A2 | .GASKET, HEAD COVER 1 .EMPAQUE | 1 | 1 | 1 | 1 | |
| 7 | 676-12414-A1 | .GASKET, COVER .EMPAQUE | 1 | 1 | 1 | 1 | |
| 8 | 66T-41114-A0 | .GASKET, EXHAUST OUTER COVER .EMPAQUE | 1 | 1 | 1 | 1 | |
| 9 | 93210-46M16 | .O-RING .ANILLO O | 1 | 1 | 1 | 1 | |
| 10 | 93210-54M54 | .O-RING .ANILLO O | 1 | 1 | 1 | 1 | |
| 11 | 93210-32738 | .O-RING .ANILLO O | 1 | 1 | 1 | 1 | |
| 12 | 650-24431-A0 | .GASKET, FUEL PUMP 1 .EMPAQUE BOMBA COMBUST 1 | 1 | 1 | 1 | 1 | |
| 13 | 66T-45113-A0 | .GASKET, UPPER CASING .EMPAQUE | 1 | 1 | 1 | 1 | |
| 14 | 93102-35008 | .OIL SEAL .SELLO ACEITE | 1 | 1 | 1 | 1 | |
| 15 | 93210-75M51 | .O-RING .ANILLO O | 1 | 1 | 1 | 1 | |
| 16 | 66T-W0093-01 | CARBURETOR REPAIR KIT KIT REPARACION CARBURADOR | 1 | 1 | 1 | 1 | |
| 17 | 93210-46M16 | .O-RING .ANILLO O | 1 | 1 | 1 | 1 | |
| 18 | 93210-54M54 | .O-RING .ANILLO O | 1 | 1 | 1 | 1 | |
| 19 | 66T-14384-01 | .GASKET, FLOAT CHAMBER .EMPAQUE DE CAMARA DE BOIA | 1 | 1 | 1 | 1 | |
| 20 | 66T-14536-00 | .GASKET .EMPAQUE | 1 | 1 | 1 | 1 | |
| 21 | 6E5-14323-03 | .SCREW, AIR ADJUSTING .TORNILLO DE AJUSTE DE AIRE | 1 | 1 | 1 | 1 | |
| 22 | 6E5-14546-00 | .VALVE, NEEDLE .VALVULA DE AGUJA | 1 | 1 | 1 | 1 | |
| 23 | 6E5-14385-02 | .FLOAT .BOIA | 1 | 1 | 1 | 1 | |
| 24 | 6E5-14386-02 | .PIN, FLOAT .PASADOR DE BOIA | 1 | 1 | 1 | 1 | |
| 25 | 66T-14984-00 | .GASKET, FLOAT CHAMBER .EMPAQUE CAMARA DE BOIA | 1 | 1 | 1 | 1 | |
| 26 | 66T-14992-00 | .PLUG .TAPON | 1 | 1 | 1 | 1 | |
| 27 | 66T-14959-00 | .GASKET .EMPAQUE | 2 | 2 | 2 | 2 | |

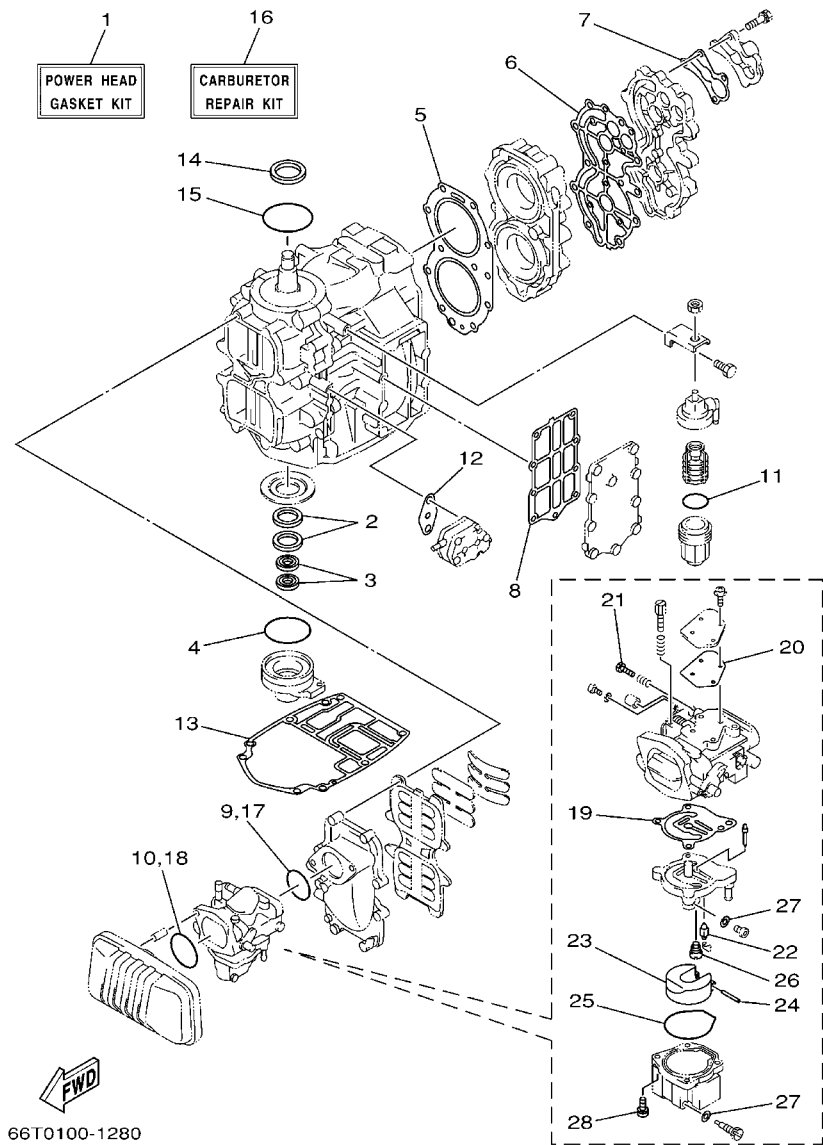


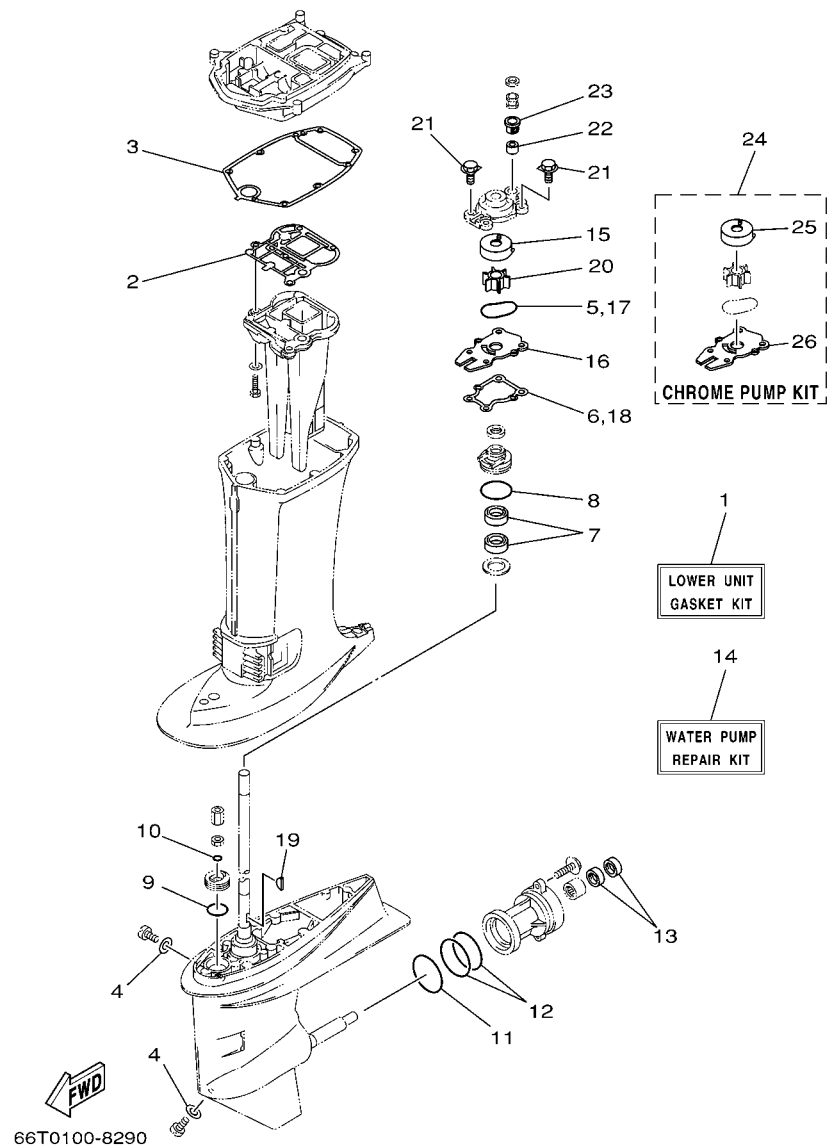
FIG. 32 REPAIR KIT 1

ESTUCHE REPARATION 1

| REF. NO. | PART NO. CODIGO Nº | DESCRIPTION DESCRIPCION | MH | WH | W | WT | REMARKS OBSERVACIONES |
|----------|--------------------|--|----|----|---|----|-----------------------|
| 28 | 97980-05125 | .SCREW, WITH WASHER .TORNILLO, CON ARANDELA | 4 | 4 | 4 | 4 | |
| | | | | | | | |
| | | | | | | | |
| | | | | | | | |
| | | | | | | | |
| | | | | | | | |
| | | | | | | | |
| | | | | | | | |
| | | | | | | | |
| | | | | | | | |

FIG. 33 REPAIR KIT 2

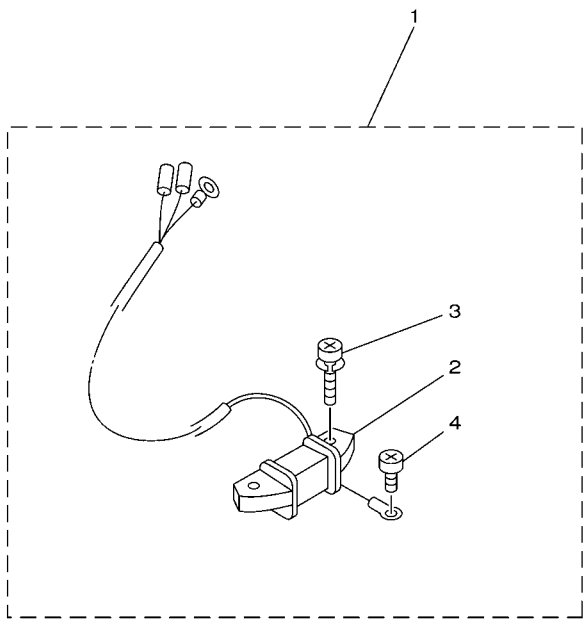
ESTUCHE REPARATION 2



| REF. NO. | PART NO. CODIGO Nº | DESCRIPTION DESCRIPCION | MH | WH | W | WT | REMARKS OBSERVACIONES |
|----------|--------------------|--|----|----|---|----|-----------------------|
| 1 | 66T-W0001-20 | LOWER UNIT GASKET KIT JUEGO DE EMPAQUE UNIDAD INFER | 1 | 1 | 1 | 1 | |
| 2 | 66T-41133-A0 | .GASKET, EXHAUST MANIFOLD 1 .EMPAQUE ESCAPE MULTIPLE | 1 | 1 | 1 | 1 | |
| 3 | 66T-45114-A0 | .GASKET, UPPER CASING .EMPAQUE | 1 | 1 | 1 | 1 | |
| 4 | 90430-08020 | .GASKET .JUNTA | 2 | 2 | 2 | 2 | |
| 5 | 93210-59MG7 | .O-RING .ANILLO O | 1 | 1 | 1 | 1 | |
| 6 | 63D-44316-00 | .GASKET, WATER PUMP .EMPAQUE | 1 | 1 | 1 | 1 | |
| 7 | 93101-22M60 | .OIL SEAL .SELLO ACEITE | 2 | 2 | 2 | 2 | |
| 8 | 93210-48MG8 | .O-RING .ANILLO O | 1 | 1 | 1 | 1 | |
| 9 | 93210-33MG4 | .O-RING .ANILLO O | 1 | 1 | 1 | 1 | |
| 10 | 93210-06ME6 | .O-RING .ANILLO O | 1 | 1 | 1 | 1 | |
| 11 | 93210-69MG6 | .O-RING .ANILLO O | 1 | 1 | 1 | 1 | |
| 12 | 93210-74MG5 | .O-RING .ANILLO O | 2 | 2 | 2 | 2 | |
| 13 | 93101-22M00 | .OIL SEAL .SELLO ACEITE | 2 | 2 | 2 | 2 | |
| 14 | 66T-W0078-00 | WATER PUMP REPAIR KIT ESTUCHE REPARACION BOMBA AGUA | 1 | 1 | 1 | 1 | |
| 15 | 63D-44322-00 | .INSERT, CARTRIDGE .CARTUCHO | 1 | 1 | 1 | 1 | |
| 16 | 66T-44323-00 | .OUTER PLATE, CARTRIDGE .PLACA EXTERIOR DEL CARTUCHO | 1 | 1 | 1 | 1 | |
| 17 | 93210-59MG7 | .O-RING .ANILLO O | 1 | 1 | 1 | 1 | |
| 18 | 63D-44316-00 | .GASKET, WATER PUMP .EMPAQUE | 1 | 1 | 1 | 1 | |
| 19 | 90280-03M03 | .KEY, WOODRUFF .CUNA WOODRUFF | 1 | 1 | 1 | 1 | |
| 20 | 6H4-44352-02 | .IMPELLER .IMPULSOR | 1 | 1 | 1 | 1 | |
| 21 | 90119-08M15 | .BOLT, WITH WASHER .TORNILLO CON ARANDELA | 4 | 4 | 4 | 4 | |
| 22 | 663-44366-00 | .DAMPER, WATER SEAL .GOMA DEL SELLO DE AGUA | 1 | 1 | 1 | 1 | |
| 23 | 63D-44312-00 | .COVER, WATER PUMP HOUSING .CUBIERTA CAJA BOMBA DE AGUA | 1 | 1 | 1 | 1 | |
| 24 | 66T-W0078-0A | CHROME PUMP KIT ESTUCHE REPARACION BOMBA AGUA | 1 | 1 | 1 | 1 | |
| 25 | 63D-44322-40 | .INSERT, CARTRIDGE .CARTUCHO | 1 | 1 | 1 | 1 | |
| 26 | 66T-44323-40 | .OUTER PLATE, CARTRIDGE .PLACA EXTERIOR DEL CARTUCHO | 1 | 1 | 1 | 1 | |

FIG. 34 REPAIR KIT 3

ESTUCHE REPARATION 3



| REF. NO. | PART NO. CODIGO Nº | DESCRIPTION DESCRIPCION | MH | WH | W | WT | REMARKS OBSERVACIONES |
|----------|--------------------|--|----|----|---|----|-----------------------|
| 1 | 66T-81303-00 | LIGHTING COIL ASSY BOBINA DE ILUMINACION COMPL. | 1 | 1 | 1 | 1 | AP AP |
| 2 | 66T-85533-00 | .COIL, LIGHTING .BOBINA DE LUZ | 1 | 1 | 1 | 1 | |
| 3 | 97902-06125 | .SCREW, WITH WASHER .TORNILLO, CON ARANDELA | 2 | 2 | 2 | 2 | |
| 4 | 97802-04006 | .SCREW, PAN HEAD .TORNILLO | 1 | 1 | 1 | 1 | |
| | | | | | | | |
| | | | | | | | |
| | | | | | | | |
| | | | | | | | |
| | | | | | | | |
| | | | | | | | |
| | | | | | | | |
| | | | | | | | |



66T0010-9270

NUMERICAL INDEX
INDICE NUMERICO

| PART NO. CODIGO N° | REF. NO. | PART NO. CODIGO N° | REF. NO. | PART NO. CODIGO N° | REF. NO. | PART NO. CODIGO N° | REF. NO. | PART NO. CODIGO N° | REF. NO. | PART NO. CODIGO N° | REF. NO. |
|-----------------------|-------------|-----------------------|-------------|-----------------------|-------------|-----------------------|-------------|-----------------------|-------------|-----------------------|-------------|
| 66T-11111-01-1S | 2 - 22 | 66T-14301-12 | 5 - 1 | 66T-15734-00 | 7 - 14 | 648-24566-02 | 6 - 10 | 65W-42562-00 | 15 - 6 | 65W-43192-00 | 19 - 3 |
| 66T-11119-00 | 2 - 20 | 66T-14301-40 | 5 - 1 | 63V-15741-00 | 7 - 4 | 6YJ-24610-01 | 25 - 2 | 66T-42610-20-4D | 1 - 1 | 65W-43311-00-4D | 18 - 18 |
| 66T-11181-A2 | 2 - 23 | 66T-14301-50 | 5 - 1 | 63V-15744-00 | 7 - 10 | 66T-26301-00 | 14 - 29 | 66T-42610-K0-4D | 1 - 1 | 65W-43311-10-4D | 18 - 18 |
| | 32 - 5 | 6E5-14323-03 | 5 - 12 | 6F5-15752-00 | 7 - 18 | 65W-26326-00 | 13 - 19 | 66T-42613-01 | 1 - 2 | | 19 - 7 |
| 66T-11191-00-1S | 2 - 25 | | 32 - 21 | 6F5-15753-00 | 7 - 19 | 65W-26326-10 | 13 - 19 | 66T-42615-02 | 1 - 8 | 682-43318-01 | 18 - 38 |
| 66T-11191-50 | 31 - 2 | 6A0-14325-00 | 6 - 25 | 689-15755-01 | 7 - 21 | | 17 - 10 | 6E0-42651-02 | 1 - 4 | 66T-43350-02 | 18 - 46 |
| 66T-11193-A2 | 2 - 26 | 66T-1432A-00 | 5 - 27 | 66T-15758-01 | 7 - 24 | 6A1-28176-00 | 13 - 33 | 6F5-42652-01 | 1 - 6 | 65W-43373-00 | 20 - 2 |
| | 31 - 3 | 6J8-14334-00 | 5 - 11 | 66T-15762-01 | 7 - 28 | 61H-2819R-31 | 6 - 32 | 63D-42677-20 | 1 - 9 | 65W-43613-00 | 18 - 53 |
| | 32 - 6 | 66T-14384-01 | 5 - 6 | 66T-15767-00 | 7 - 8 | 66T-41113-00-1S | 2 - 33 | 69P-42677-H0 | 1 - 9 | 65W-43614-01 | 18 - 51 |
| 676-11325-00 | 2 - 18 | | 32 - 19 | 63V-15768-00 | 7 - 11 | 66T-41114-A0 | 2 - 35 | 63D-42678-11 | 1 - 10 | 65W-43615-01 | 18 - 52 |
| 676-11372-00 | 2 - 34 | 6E5-14385-02 | 5 - 18 | 6F5-15768-00 | 7 - 20 | | 32 - 8 | 6J4-42678-H0 | 1 - 10 | 65W-43616-00 | 18 - 50 |
| 650-11372-01 | 4 - 5 | | 32 - 23 | 66T-15770-00 | 7 - 15 | 66T-41131-00-5B | 22 - 4 | 63D-42681-10 | 1 - 12 | 66T-43627-00 | 18 - 26 |
| 66T-11400-01 | 3 - 1 | 6E5-14386-02 | 5 - 19 | 66T-15771-00-94 | 7 - 36 | 66T-41131-10-5B | 22 - 4 | 63D-42682-10 | 1 - 13 | 65W-43630-02 | 18 - 39 |
| 66T-11412-00 | 3 - 2 | | 32 - 24 | 66T-15772-00-94 | 7 - 39 | 66T-41133-A0 | 22 - 5 | 66T-42710-01-4D | 13 - 1 | 65W-43630-11 | 18 - 39 |
| 66T-11422-00 | 3 - 3 | 66T-14440-00 | 4 - 13 | 6F5-15779-02 | 7 - 22 | | 33 - 2 | 66T-42716-00 | 13 - 5 | 66T-43631-01 | 18 - 48 |
| 66T-11432-00 | 3 - 4 | 624-14485-00 | 2 - 5 | 66T-15784-00 | 7 - 9 | 66T-41137-00-5B | 22 - 1 | 66T-42725-00 | 13 - 8 | 66T-43631-11 | 18 - 48 |
| 66T-11442-00 | 3 - 5 | 66T-14497-00 | 16 - 10 | 697-15789-00 | 7 - 23 | 66T-41237-00 | 16 - 5 | 6G1-42725-00 | 9 - 21 | 689-43633-00 | 15 - 8 |
| 6F5-11515-00 | 3 - 9 | 66T-14523-00 | 5 - 10 | 6F5-15791-00 | 7 - 17 | 66T-41252-00 | 4 - 23 | 66T-42725-10 | 13 - 8 | 65W-43800-02-4D | 21 - 1 |
| 66T-11565-00 | 2 - 14 | 66T-14527-00 | 5 - 8 | 66T-15794-00 | 7 - 13 | 66T-41256-00 | 4 - 21 | 66T-42725-20 | 13 - 8 | 6T4-43802-03 | 21 - 30 |
| 66T-11603-00 | 3 - 16 | 66T-14536-00 | 5 - 7 | 6YJ-24167-00 | 25 - 7 | 66T-41257-00 | 4 - 25 | 66T-42725-30 | 17 - 9 | 65W-43804-00 | 21 - 3 |
| 66T-11604-00 | 3 - 16 | | 31 - 14 | 6YJ-24201-00 | 25 - 1 | 661-41262-02 | 4 - 22 | 65W-42726-00 | 13 - 23 | 65W-43805-00 | 21 - 4 |
| 66T-11605-00 | 3 - 16 | | 32 - 20 | 6YJ-24201-10 | 25 - 1 | 6H4-41271-01 | 4 - 18 | 6H4-42726-00 | 13 - 21 | 65W-4380F-00 | 21 - 11 |
| 66T-11631-01-93 | 3 - 15 | 6E5-14546-00 | 5 - 16 | 6YJ-24260-00 | 25 - 3 | 66T-41273-00 | 14 - 41 | 65W-42726-10 | 13 - 23 | 65W-4380K-00 | 21 - 16 |
| 6F5-11633-00 | 3 - 17 | | 32 - 22 | 6Y1-24260-12 | 25 - 3 | 689-41273-00 | 4 - 19 | | 17 - 11 | 65W-4380L-00 | 21 - 27 |
| 663-11634-00 | 3 - 18 | 66T-14578-00 | 5 - 2 | 6Y1-24268-00 | 25 - 6 | 6J8-41274-00 | 4 - 20 | 6H1-42726-10 | 13 - 21 | 65W-43810-00 | 21 - 17 |
| 66T-11635-01 | 3 - 15 | 66T-14584-00 | 5 - 3 | 6G1-24304-02 | 6 - 1 | 66T-41611-00 | 8 - 11 | 676-42727-00 | 13 - 20 | 65W-43812-00 | 21 - 18 |
| 66T-11636-01 | 3 - 15 | 6J8-14592-01 | 5 - 4 | 6G1-24305-05 | 25 - 13 | 66T-41631-01 | 16 - 4 | 66T-42738-00-5B | 13 - 6 | 6H1-43816-00 | 21 - 25 |
| 6F5-11651-00 | 3 - 10 | 61A-1492E-85 | 5 - 15 | 6Y1-24305-06 | 25 - 15 | 66T-41638-00 | 16 - 1 | 66T-42741-00 | 13 - 26 | 65W-43817-00 | 21 - 39 |
| 66T-11681-00 | 3 - 11 | 66T-1492F-35 | 5 - 20 | 61J-24306-04 | 25 - 8 | 6F5-41662-00 | 16 - 17 | 664-42791-00 | 13 - 32 | 65W-4381B-00 | 21 - 22 |
| 6E5-12411-02 | 2 - 28 | 66T-14945-02 | 5 - 14 | 6E5-24315-00 | 31 - 6 | 65W-42101-01-4D | 14 - 14 | 664-42791-10 | 13 - 32 | 6H1-43829-00 | 21 - 61 |
| 6E5-12412-00 | 2 - 29 | 66T-14959-00 | 5 - 25 | 66T-24329-00 | 13 - 22 | 664-42119-00 | 14 - 22 | 66T-42815-01-4D | 13 - 9 | 65W-4382A-00 | 21 - 47 |
| 676-12413-00-1S | 2 - 30 | | 32 - 27 | 6Y1-24329-00 | 25 - 5 | 65W-42121-01-4D | 14 - 40 | 66T-42816-00 | 13 - 13 | 65W-43830-00 | 21 - 36 |
| 676-12414-A1 | 2 - 31 | 66T-14981-00 | 5 - 23 | 650-24351-01 | 25 - 12 | 66T-42123-00 | 14 - 7 | 66T-43111-01-4D | 18 - 1 | 65W-43831-00 | 21 - 35 |
| | 31 - 4 | 66T-14984-00 | 5 - 21 | 61J-24360-00 | 25 - 10 | 65W-42125-00 | 14 - 19 | 65W-43111-10-4D | 19 - 1 | 65W-43840-00 | 21 - 15 |
| | 32 - 7 | | 32 - 25 | 6E5-24379-00 | 31 - 9 | 6G1-42126-00 | 14 - 18 | 66T-43112-01-4D | 18 - 6 | 62X-43841-00 | 21 - 33 |
| 66T-12440-51 | 31 - 1 | 66T-14991-00 | 5 - 24 | 692-24410-00 | 6 - 15 | 65W-42131-01 | 14 - 37 | 65W-43112-10-4D | 19 - 2 | 65W-43843-00 | 21 - 54 |
| 66T-12466-00 | 31 - 13 | 66T-14992-00 | 5 - 22 | 663-24411-00 | 6 - 20 | 6G1-42137-10 | 14 - 23 | 6J8-43113-01 | 18 - 23 | 65W-43844-00 | 21 - 48 |
| 66T-12469-00 | 31 - 5 | | 32 - 26 | 692-24411-00 | 6 - 17 | 65W-42138-00 | 14 - 16 | 648-43114-01 | 18 - 4 | 6H1-43844-10 | 21 - 56 |
| 66T-12481-50 | 31 - 10 | 66T-15100-02-1S | 2 - 2 | 6A0-24412-02 | 6 - 26 | 65W-42159-00 | 14 - 17 | 663-43118-01-4D | 18 - 3 | 6H1-43845-00 | 21 - 43 |
| 66T-12482-50 | 31 - 11 | 66T-15396-01-94 | 2 - 8 | 6A0-24413-00 | 6 - 16 | 66T-42167-00 | 16 - 2 | 63D-43131-01 | 18 - 20 | 6H1-43847-00 | 21 - 45 |
| 677-13437-0B | 1 - 14 | 66T-15705-00 | 7 - 7 | 6A0-24421-01 | 6 - 24 | 6F6-42177-A0 | 14 - 21 | | 19 - 9 | 6H1-4384F-10 | 21 - 57 |
| 6E5-13552-01 | 2 - 3 | 66T-15710-00 | 7 - 1 | 650-24431-A0 | 6 - 27 | 65W-42508-00 | 15 - 1 | 66T-43144-00 | 13 - 14 | 65W-43851-00 | 21 - 49 |
| | 4 - 4 | 66T-15711-00 | 7 - 2 | | 32 - 12 | 65W-42511-00-4D | 20 - 6 | 6E5-43145-01 | 26 - 9 | 65W-43853-00 | 21 - 60 |
| 66T-13610-00 | 4 - 1 | 66T-15713-00 | 7 - 5 | 648-24434-01 | 6 - 18 | 65W-42511-10-4D | 20 - 6 | 6G5-43145-01 | 18 - 25 | 6T4-43853-00 | 21 - 37 |
| 66T-13641-02-1S | 4 - 3 | 66T-15714-00 | 7 - 3 | 648-24435-02 | 6 - 21 | 65W-42527-00 | 15 - 3 | | 19 - 13 | 65W-43854-00 | 21 - 46 |
| 6E5-14159-00 | 5 - 17 | 66T-15716-00 | 7 - 6 | 61N-24521-00 | 6 - 8 | 648-42528-00 | 20 - 1 | 65W-43191-00 | 18 - 12 | 65W-43855-00 | 21 - 52 |
| 6E5-14223-00 | 5 - 13 | 66T-15723-00 | 7 - 29 | 61N-24560-00 | 6 - 6 | 65W-42528-00 | 15 - 10 | | 19 - 4 | 6H1-43856-10 | 21 - 55 |
| 66T-14301-02 | 5 - 1 | 66T-15731-00 | 7 - 16 | 61N-24563-00 | 6 - 7 | 65W-42561-00 | 15 - 7 | 65W-43192-00 | 18 - 11 | 65W-43861-00 | 21 - 40 |

NUMERICAL INDEX
INDICE NUMERICO

| PART NO. CODIGO N° | REF. NO. | PART NO. CODIGO N° | REF. NO. | PART NO. CODIGO N° | REF. NO. | PART NO. CODIGO N° | REF. NO. | PART NO. CODIGO N° | REF. NO. | PART NO. CODIGO N° | REF. NO. |
|-----------------------|-------------|-----------------------|-------------|-----------------------|-------------|-----------------------|-------------|-----------------------|-------------|-----------------------|-------------|
| 6H1-43861-10 | 21 - 20 | 66T-44323-40 | 33 - 26 | 6H4-45536-00 | 23 - 3 | 66T-45997-00 | 24 - 21 | 703-48245-00 | 28 - 11 | 66T-81303-00 | 34 - 1 |
| 65W-43862-00 | 21 - 41 | 63D-44341-00 | 23 - 19 | 66T-45551-00 | 23 - 36 | 701-48133-00 | 29 - 41 | 701-48246-00 | 29 - 24 | 66T-81328-00 | 8 - 13 |
| 65W-43865-00 | 21 - 19 | 6H4-44352-02 | 23 - 18 | 66T-45560-01 | 23 - 38 | 701-48140-E0 | 27 - 2 | 703-48246-00 | 28 - 23 | 66T-81800-01 | 12 - 1 |
| 6H1-43866-00 | 21 - 31 | | 33 - 20 | 663-45567-01 | 23 - 40 | | 29 - 1 | 701-48248-00 | 28 - 13 | 66T-81820-00 | 12 - 5 |
| 6H1-43867-00 | 21 - 32 | 66T-44361-00 | 24 - 1 | 663-45567-10 | 23 - 40 | 703-48152-00 | 28 - 57 | | 29 - 12 | 66T-81826-00 | 12 - 7 |
| 65W-43869-00 | 21 - 5 | 66T-44361-10 | 24 - 1 | 663-45567-20 | 23 - 40 | 701-48152-20 | 29 - 13 | 701-48249-00 | 29 - 11 | 66T-81830-00 | 12 - 4 |
| 65W-4386A-00 | 21 - 58 | 66T-44361-20 | 24 - 1 | 663-45567-30 | 23 - 40 | 703-48153-00 | 28 - 3 | 701-48252-00 | 29 - 4 | 66T-81840-00 | 12 - 6 |
| 65W-4386K-00 | 21 - 7 | 66T-44362-10 | 24 - 26 | 663-45567-40 | 23 - 40 | 701-48153-12 | 29 - 33 | 703-48252-00 | 28 - 12 | 66T-81850-01 | 12 - 3 |
| 65W-43871-00 | 21 - 21 | 66T-44362-20 | 24 - 26 | 663-45567-50 | 23 - 40 | 703-48189-00 | 28 - 17 | 701-48255-00 | 29 - 21 | 66T-81857-00 | 12 - 2 |
| 6H1-43875-00 | 21 - 42 | 663-44366-00 | 24 - 18 | 663-45567-60 | 23 - 40 | 701-48189-11 | 29 - 31 | 703-48261-01 | 28 - 2 | 689-81870-00 | 9 - 22 |
| 62X-43878-00 | 21 - 62 | | 33 - 22 | 66T-45571-00 | 23 - 41 | 701-48196-11 | 29 - 7 | 701-48261-20 | 29 - 37 | 66T-81916-01 | 9 - 8 |
| 65W-43879-00 | 21 - 12 | 663-44367-00 | 24 - 4 | 63D-45577-00 | 23 - 43 | 701-48197-10 | 29 - 3 | 703-48264-00 | 28 - 6 | 6L2-81945-00 | 10 - 5 |
| 65W-43880-00 | 21 - 2 | 6E5-44391-00 | 13 - 18 | 63D-45577-10 | 23 - 43 | 703-48198-00 | 28 - 14 | 703-48265-00 | 28 - 9 | 66T-81948-00 | 11 - 11 |
| 65W-43881-00 | 21 - 6 | 66T-44514-00-4D | 20 - 15 | 63D-45577-20 | 23 - 43 | 701-48198-10 | 29 - 15 | 701-48266-00 | 29 - 29 | 6G1-8194A-10 | 10 - 1 |
| 65W-43882-00 | 21 - 8 | 66T-44514-30-4D | 20 - 15 | 63D-45577-30 | 23 - 43 | 703-48203-15 | 27 - 1 | 701-48268-00 | 29 - 18 | 6G1-81952-00 | 10 - 4 |
| 65W-43887-00 | 21 - 13 | 66T-44526-00 | 20 - 16 | 63D-45577-40 | 23 - 43 | | 28 - 1 | 703-48268-00 | 28 - 5 | 6E5-8195B-01 | 11 - 2 |
| 65W-43888-00 | 21 - 28 | 66T-44526-30 | 20 - 16 | 63D-45577-50 | 23 - 43 | 703-48205-17 | 27 - 1 | 701-48271-00 | 28 - 60 | 6E5-8195C-01 | 11 - 5 |
| 65W-4388E-00 | 21 - 14 | 65W-44551-00-4D | 20 - 19 | 63D-45577-60 | 23 - 43 | | 28 - 1 | 701-48271-10 | 29 - 34 | 6G1-81970-61 | 10 - 8 |
| 65W-43891-00 | 21 - 10 | 65W-44555-10 | 20 - 20 | 663-45587-01 | 23 - 35 | 703-48211-01 | 28 - 61 | 701-48280-00 | 29 - 47 | 66T-82105-00 | 10 - 7 |
| 65W-43892-00 | 21 - 9 | 66T-44575-00 | 20 - 21 | 663-45587-10 | 23 - 35 | 703-48212-00 | 28 - 58 | 703-48281-00 | 28 - 31 | 66T-82115-00 | 10 - 16 |
| 66T-44111-02 | 14 - 2 | 66T-45111-00-4D | 22 - 8 | 663-45587-20 | 23 - 35 | 701-48213-00 | 29 - 19 | 701-48281-10 | 29 - 16 | 6E5-82116-00 | 11 - 10 |
| 682-44116-01 | 16 - 19 | 66T-45111-10-4D | 22 - 8 | 663-45587-30 | 23 - 35 | 703-48213-00 | 28 - 59 | 701-48282-00 | 29 - 28 | 6E5-82117-01 | 10 - 6 |
| 66T-44121-00 | 16 - 14 | 66T-45113-A0 | 22 - 13 | 663-45587-40 | 23 - 35 | 703-48215-00 | 28 - 43 | 703-48282-00 | 28 - 32 | 6G5-82119-00 | 11 - 9 |
| 66M-44122-00 | 16 - 15 | | 32 - 13 | 663-45587-50 | 23 - 35 | 703-48219-00 | 28 - 30 | 701-48283-00 | 29 - 43 | 66T-82127-00 | 20 - 26 |
| 66T-44124-00 | 14 - 10 | 66T-45114-A0 | 22 - 12 | 663-45587-60 | 23 - 35 | 701-48221-00 | 29 - 6 | 703-48284-00 | 28 - 52 | 6U0-82127-00 | 19 - 22 |
| 66T-44125-01 | 16 - 25 | | 33 - 3 | 66T-45611-00 | 23 - 56 | 703-48221-00 | 28 - 56 | 701-48287-00 | 28 - 42 | 66T-82127-10 | 20 - 27 |
| | 17 - 6 | 63D-45155-00 | 22 - 9 | 66T-45631-00 | 23 - 51 | 701-48222-00 | 29 - 27 | | 29 - 45 | 6H1-82148-00 | 19 - 21 |
| 66T-44143-00 | 16 - 21 | 66T-45211-00-4D | 22 - 18 | 663-45633-00 | 23 - 54 | 703-48222-00 | 28 - 27 | 702-48288-00 | 29 - 23 | 6G1-82151-00 | 10 - 9 |
| 66T-44143-10 | 16 - 21 | 63D-45214-00 | 23 - 7 | 66T-45635-00 | 23 - 55 | 703-48223-00 | 28 - 28 | 701-48289-00 | 29 - 17 | 6A0-82317-00 | 9 - 2 |
| 61N-44146-00 | 23 - 27 | 63D-45215-00 | 23 - 8 | 663-45930-00-98 | 24 - 25 | 703-48224-00 | 28 - 55 | 703-48291-10 | 28 - 39 | 66T-82370-00 | 9 - 16 |
| 66T-44150-01 | 23 - 26 | 65W-45251-00 | 19 - 19 | 63D-45941-00-EL | 24 - 25 | 703-48225-00 | 28 - 29 | 703-48293-10 | 28 - 41 | 6E3-82370-21 | 9 - 16 |
| 66T-44150-11 | 23 - 26 | 676-45251-00 | 2 - 15 | 663-45941-01-EL | 24 - 25 | 703-48226-00 | 28 - 26 | 701-48320-00 | 27 - 3 | 704-82510-07 | 30 - 4 |
| 66T-44150-21 | 23 - 26 | 67C-45251-00 | 24 - 15 | 69W-45943-00-EL | 24 - 25 | 703-48227-00 | 28 - 24 | 701-48320-20 | 27 - 3 | 703-82510-33 | 28 - 44 |
| 65W-44173-00 | 16 - 23 | 66T-45300-01-4D | 23 - 1 | 69W-45945-00-EL | 24 - 25 | 701-48229-00 | 29 - 26 | 701-48320-50 | 27 - 3 | 703-82510-43 | 28 - 44 |
| 6E0-44191-11 | 14 - 13 | 66T-45300-11-4D | 23 - 1 | 69W-45947-00-EL | 24 - 25 | 701-48232-00 | 29 - 30 | 663-48344-00 | 16 - 27 | 66T-82519-00 | 9 - 20 |
| 688-44194-00 | 16 - 9 | 66T-45300-31-4D | 23 - 1 | 663-45949-01-EL | 24 - 25 | 703-48232-00 | 28 - 62 | | 17 - 2 | 703-82531-00 | 28 - 46 |
| 66T-44311-00 | 23 - 12 | 66T-45311-01-4D | 23 - 2 | 69W-45952-00-EL | 24 - 25 | 701-48234-00 | 29 - 5 | 703-48345-01 | 28 - 19 | 6K1-82532-00 | 30 - 6 |
| 63D-44312-00 | 24 - 19 | 679-45318-00 | 22 - 16 | 663-45952-02-EL | 24 - 25 | 703-48234-00 | 28 - 18 | | 29 - 36 | 6F5-82540-00 | 10 - 27 |
| | 33 - 23 | 66T-45321-00 | 23 - 29 | 663-45954-01-EL | 24 - 25 | 701-48235-00 | 29 - 2 | 701-48358-00 | 29 - 38 | 703-82540-00 | 28 - 50 |
| 63D-44316-00 | 23 - 16 | 688-45341-10 | 23 - 6 | 663-45956-01-EL | 24 - 25 | 703-48235-00 | 28 - 4 | 703-48358-00 | 28 - 20 | 66T-82553-00 | 10 - 28 |
| | 33 - 6 | 66T-45344-01 | 23 - 21 | 69W-45958-00-EL | 24 - 25 | 701-48236-00 | 29 - 8 | 66T-48501-01 | 17 - 1 | 66T-82554-00 | 10 - 29 |
| 63D-44322-00 | 23 - 13 | 63D-45361-02-4D | 23 - 44 | 663-45970-60-98 | 24 - 25 | 703-48236-00 | 28 - 16 | 65W-48511-00 | 17 - 7 | 682-82556-00 | 14 - 43 |
| | 33 - 15 | 664-45371-01 | 24 - 8 | 663-45972-60-98 | 24 - 25 | 702-48237-00 | 29 - 9 | | 20 - 29 | | 28 - 48 |
| 63D-44322-40 | 23 - 13 | 63D-45375-00 | 24 - 7 | 663-45974-60-98 | 24 - 25 | 702-48238-00 | 29 - 10 | 670-48511-00-4D | 20 - 29 | | 29 - 40 |
| | 33 - 25 | 663-45376-00-94 | 24 - 6 | 663-45976-00-98 | 24 - 25 | 703-48238-00 | 28 - 22 | 6H3-48538-00 | 16 - 29 | | 30 - 8 |
| 66T-44323-00 | 23 - 14 | 66T-45501-01 | 23 - 33 | 663-45978-00-98 | 24 - 25 | 701-48243-00 | 29 - 14 | | 17 - 4 | 688-82560-10 | 9 - 19 |
| | 33 - 16 | 66T-45501-11 | 23 - 33 | 663-45987-02 | 24 - 20 | 703-48243-00 | 28 - 15 | 65W-61350-00 | 26 - 1 | 703-82563-02 | 28 - 55 |
| 66T-44323-40 | 23 - 14 | 66T-45501-21 | 23 - 33 | | | 703-48244-00 | 28 - 21 | 65W-61351-00 | 26 - 2 | 704-82570-08 | 30 - 1 |

NUMERICAL INDEX
INDICE NUMERICO

| PART NO. CODIGO N° | REF. NO. | PART NO. CODIGO N° | REF. NO. | PART NO. CODIGO N° | REF. NO. | PART NO. CODIGO N° | REF. NO. | PART NO. CODIGO N° | REF. NO. | PART NO. CODIGO N° | REF. NO. |
|-----------------------|-------------|-----------------------|-------------|-----------------------|-------------|-----------------------|-------------|-----------------------|-------------|-----------------------|-------------|
| 704-82571-02 | 30 - 2 | 66T-87149-00 | 11 - 8 | 90119-08M39 | 12 - 8 | 90201-43M00 | 14 - 33 | 90386-22M15 | 18 - 21 | 90467-10M04 | 31 - 8 |
| 66T-82575-01 | 14 - 42 | 66T-W0001-01 | 32 - 1 | 90119-08M42 | 22 - 15 | 90202-10M56 | 15 - 9 | | 19 - 10 | 90467-11M08 | 31 - 7 |
| 688-82575-01 | 28 - 47 | 66T-W0001-20 | 33 - 1 | 90119-08M43 | 24 - 5 | 90202-12031 | 18 - 28 | 90386-40M99 | 14 - 36 | 90468-18008 | 14 - 12 |
| | 30 - 7 | 66T-W0004-00 | 4 - 2 | 90119-08M44 | 24 - 5 | 90202-12060 | 24 - 2 | 90386-40MA0 | 14 - 32 | | 16 - 28 |
| 701-82575-53 | 29 - 39 | 63D-W0070-10 | 1 - 11 | 90119-08M51 | 7 - 33 | 90202-43M57 | 14 - 35 | 90386-44M03 | 20 - 9 | | 17 - 3 |
| 703-82577-00 | 28 - 45 | 66T-W0070-H0 | 1 - 11 | 90119-08M52 | 12 - 9 | 90204-06M00 | 10 - 3 | 90386-44M99 | 20 - 11 | 90480-09M21 | 13 - 3 |
| | 30 - 5 | 66T-W0078-00 | 33 - 14 | 90119-08M79 | 22 - 2 | | 11 - 4 | 90386-52M02 | 20 - 8 | 90480-10155 | 10 - 20 |
| 6E3-8257H-00 | 13 - 34 | 66T-W0078-0A | 33 - 24 | 90119-08MA5 | 2 - 24 | 90206-12052 | 13 - 12 | 90387-05M11 | 15 - 13 | 90480-10M23 | 10 - 23 |
| 689-8257Y-00 | 14 - 44 | 66T-W0084-02-4D | 14 - 1 | 90119-10005 | 2 - 7 | | 14 - 6 | 90387-06035 | 13 - 4 | 90480-10M71 | 8 - 26 |
| 64D-82581-00 | 30 - 9 | 66T-W0090-02-1S | 2 - 1 | 90119-10M04 | 20 - 24 | 90206-12M00 | 18 - 29 | 90387-06119 | 9 - 3 | 90480-25161 | 9 - 11 |
| 688-82586-21 | 28 - 49 | 66T-W0093-01 | 32 - 16 | 90141-06M00 | 2 - 19 | 90206-43M22 | 14 - 34 | 90387-06M60 | 10 - 24 | 90480-25M70 | 24 - 27 |
| 688-82586-50 | 30 - 18 | 676-W2810-01 | 6 - 33 | 90142-05M06 | 23 - 9 | 90209-10M26 | 15 - 11 | 90387-06M66 | 7 - 27 | 90480-30M71 | 24 - 28 |
| 6R5-82588-01 | 30 - 3 | 90101-06020 | 19 - 20 | 90149-05M05 | 30 - 14 | 90209-27012 | 3 - 12 | 90387-06M80 | 4 - 17 | 90501-10M84 | 16 - 6 |
| 688-8258A-20 | 28 - 49 | 90101-08002 | 2 - 21 | 90149-05M13 | 14 - 25 | 90209-52M00 | 20 - 7 | 90387-06M86 | 14 - 3 | 90501-15M01 | 23 - 52 |
| 66T-82590-00 | 10 - 14 | 90101-08M28 | 18 - 59 | 90149-14M12 | 18 - 2 | 90243-04007 | 18 - 5 | 90387-07M05 | 18 - 44 | 90501-23215 | 14 - 27 |
| 66T-82590-20 | 11 - 1 | 90101-08M76 | 18 - 15 | 90157-05014 | 18 - 49 | 90249-07M32 | 18 - 54 | 90387-07M29 | 18 - 55 | 90502-10M06 | 18 - 60 |
| 703-82591-00 | 28 - 53 | 90101-08M86 | 20 - 14 | 90161-06M00 | 10 - 34 | 90249-07M33 | 18 - 56 | 90387-08M05 | 7 - 35 | 90506-16M34 | 13 - 16 |
| 703-82592-00 | 28 - 54 | 90101-09M01 | 26 - 7 | 90170-06M30 | 10 - 2 | 90249-10M31 | 18 - 43 | 90387-08M16 | 16 - 3 | 90506-20M37 | 18 - 47 |
| 65W-82594-00 | 10 - 33 | 90101-10M58 | 18 - 62 | | 11 - 3 | 90249-12M34 | 18 - 33 | 90387-08M29 | 18 - 14 | 90506-30M00 | 18 - 57 |
| 701-82594-00 | 29 - 44 | 90101-12M65 | 19 - 33 | 90170-09M03 | 26 - 5 | 90249-12M38 | 19 - 16 | 90387-10M42 | 26 - 6 | 91318-04025 | 21 - 38 |
| 703-82594-00 | 28 - 25 | 90105-08M61 | 23 - 50 | 90170-12138 | 23 - 37 | 90249-12M39 | 18 - 35 | 90387-12M04 | 18 - 34 | 91490-16012 | 16 - 22 |
| 703-83383-02 | 28 - 51 | 90105-08M76 | 20 - 3 | 90170-20137 | 8 - 21 | 90249-18M35 | 19 - 29 | 90389-22M01 | 24 - 22 | 91490-20010 | 14 - 20 |
| 688-83383-11 | 30 - 13 | 90109-05M89 | 15 - 14 | 90171-16011 | 24 - 23 | 90250-06023 | 23 - 53 | 90430-08020 | 23 - 5 | 91490-20012 | 18 - 58 |
| 66T-83557-00 | 10 - 15 | 90109-06M80 | 9 - 7 | 90179-10M33 | 20 - 25 | 90254-03M04 | 16 - 24 | | 33 - 4 | 91490-30025 | 24 - 24 |
| 6N7-83557-00 | 10 - 15 | | 10 - 13 | 90185-08045 | 20 - 12 | | 17 - 5 | 90430-12072 | 24 - 3 | 91690-30018 | 18 - 13 |
| 6A1-83625-41 | 7 - 43 | | 13 - 29 | 90185-08057 | 18 - 32 | 90254-03M05 | 16 - 16 | 90445-07M08 | 2 - 38 | | 19 - 5 |
| 61T-83625-80 | 7 - 44 | 90109-06M81 | 9 - 6 | 90185-09M01 | 26 - 4 | 90266-04M01 | 1 - 7 | 90445-07M24 | 4 - 8 | 91690-40032 | 4 - 24 |
| 6E0-83627-41 | 14 - 45 | | 13 - 7 | 90185-10051 | 20 - 4 | 90266-04M04 | 1 - 5 | 90445-07MA4 | 4 - 9 | 92780-06025 | 29 - 20 |
| 61T-83627-80 | 14 - 46 | | 16 - 18 | 90185-10M13 | 19 - 32 | 90269-02M09 | 14 - 24 | 90445-09086 | 6 - 13 | 92903-05100 | 30 - 11 |
| 66T-85515-00 | 8 - 8 | 90109-06M86 | 10 - 30 | 90185-10M14 | 15 - 12 | 90280-03M03 | 23 - 17 | 90445-09M08 | 6 - 4 | 92903-06600 | 4 - 7 |
| 66T-85520-00 | 8 - 10 | | 13 - 15 | 90185-22043 | 18 - 24 | | 33 - 19 | 90445-09M75 | 2 - 37 | | 7 - 38 |
| 66T-85533-00 | 8 - 14 | | 14 - 15 | 90185-22M11 | 19 - 12 | 90280-05015 | 8 - 20 | 90445-11M05 | 25 - 11 | 92903-10600 | 14 - 26 |
| | 34 - 2 | | 16 - 20 | 90201-08M00 | 19 - 26 | 90338-05M03 | 13 - 25 | 90445-11M06 | 25 - 9 | 92990-05100 | 6 - 23 |
| 66T-85540-00 | 9 - 5 | 90109-06M88 | 15 - 4 | 90201-08M07 | 18 - 31 | 90338-07M00 | 13 - 24 | 90445-11M78 | 31 - 16 | | 30 - 16 |
| 66T-8554B-01-94 | 9 - 1 | 90109-08M90 | 18 - 30 | 90201-08M54 | 16 - 11 | 90340-08002 | 23 - 4 | 90446-03MA3 | 9 - 12 | 92990-05600 | 5 - 5 |
| 66T-85550-00 | 8 - 1 | 90110-10M02 | 19 - 30 | 90201-10120 | 17 - 8 | 90385-12M04 | 7 - 34 | 90446-10M86 | 14 - 31 | | 10 - 11 |
| 66T-85550-10 | 8 - 1 | 90116-10M23 | 22 - 20 | | 20 - 30 | 90386-07MA2 | 18 - 41 | 90446-10M87 | 14 - 30 | | 30 - 17 |
| 66T-85560-01 | 8 - 2 | 90116-10M28 | 20 - 5 | 90201-10M20 | 26 - 3 | 90386-08032 | 14 - 28 | 90464-09M49 | 13 - 30 | 92990-06100 | 15 - 5 |
| 66T-85560-11 | 8 - 2 | 90119-06M61 | 13 - 2 | 90201-10M63 | 26 - 8 | 90386-10M99 | 18 - 40 | 90464-12M00 | 8 - 27 | 92990-06200 | 14 - 11 |
| 66T-85561-00 | 8 - 3 | 90119-06M65 | 9 - 4 | 90201-12426 | 18 - 64 | 90386-12M37 | 13 - 10 | 90464-13249 | 7 - 42 | 92990-06300 | 29 - 25 |
| 66T-85570-00 | 9 - 10 | 90119-06M73 | 13 - 17 | | 19 - 35 | 90386-12M98 | 18 - 27 | 90465-11M10 | 11 - 14 | 92990-06600 | 23 - 32 |
| 66T-85580-00 | 8 - 5 | 90119-06M88 | 10 - 26 | 90201-12M07 | 14 - 5 | | 19 - 15 | 90465-13M11 | 19 - 18 | 92990-08100 | 18 - 17 |
| 66T-85582-00 | 8 - 7 | 90119-06MA3 | 2 - 27 | 90201-20417 | 3 - 20 | 90386-12MA0 | 18 - 36 | 90465-13M36 | 31 - 12 | 92990-08600 | 28 - 34 |
| 66T-85596-00 | 8 - 6 | 90119-06MA5 | 2 - 32 | 90201-21M18 | 8 - 22 | | 19 - 14 | 90465-15M74 | 8 - 23 | 92990-10100 | 22 - 22 |
| 6J4-86111-00 | 10 - 17 | 90119-08M03 | 4 - 12 | 90201-22429 | 23 - 42 | 90386-12MA2 | 13 - 11 | 90465-20M31 | 10 - 31 | 92990-10600 | 22 - 23 |
| 66T-86112-00 | 10 - 19 | 90119-08M10 | 7 - 32 | 90201-22M03 | 18 - 22 | 90386-14MA1 | 19 - 6 | 90465-25M57 | 13 - 24 | 92995-06200 | 14 - 9 |
| 6J4-86116-00 | 10 - 18 | 90119-08M15 | 23 - 25 | | 19 - 11 | 90386-18M44 | 19 - 27 | 90467-06016 | 4 - 10 | 92995-06600 | 2 - 13 |
| 682-86117-00 | 10 - 22 | | 33 - 21 | 90201-27M00 | 23 - 23 | 90386-18MA0 | 19 - 28 | 90467-08004 | 6 - 5 | | 4 - 16 |

NUMERICAL INDEX
INDICE NUMERICO

| PART NO. CODIGO N° | REF. NO. | PART NO. CODIGO N° | REF. NO. | PART NO. CODIGO N° | REF. NO. | PART NO. CODIGO N° | REF. NO. | PART NO. CODIGO N° | REF. NO. | PART NO. CODIGO N° | REF. NO. |
|-----------------------|-------------|-----------------------|-------------|-----------------------|-------------|-----------------------|-------------|-----------------------|-------------|-----------------------|-------------|
| 92995-06600 | 6 - 3 | 93210-48MG8 | 23 - 22 | 95380-06600 | 29 - 46 | 97885-06008 | 20 - 28 | | | | |
| | 7 - 26 | | 33 - 8 | 95380-06700 | 16 - 8 | 97885-06040 | 4 - 15 | | | | |
| | 8 - 19 | 93210-50768 | 21 - 29 | | 23 - 28 | 97902-04108 | 8 - 9 | | | | |
| | 9 - 15 | 93210-54M54 | 4 - 14 | 95380-08600 | 6 - 11 | 97902-06125 | 8 - 15 | | | | |
| | 11 - 13 | | 32 - 10 | | 18 - 16 | | 34 - 3 | | | | |
| | 13 - 28 | 93210-59MG7 | 23 - 15 | 95380-10600 | 18 - 65 | 97980-04112 | 5 - 9 | | | | |
| | 19 - 24 | | 33 - 5 | | 22 - 21 | 97980-04125 | 31 - 15 | | | | |
| 92995-08100 | 20 - 18 | 93210-65M50 | 2 - 11 | 95380-10700 | 14 - 38 | 97980-05125 | 5 - 26 | | | | |
| | 24 - 10 | | 32 - 4 | 95380-12600 | 19 - 36 | | 32 - 28 | | | | |
| 92995-08200 | 20 - 13 | 93210-69MG6 | 23 - 46 | 95780-06300 | 14 - 8 | 98503-05028 | 6 - 22 | | | | |
| 92995-08600 | 12 - 11 | | 33 - 11 | 95780-10300 | 14 - 39 | 98580-03015 | 28 - 38 | | | | |
| | 22 - 7 | 93210-74MG5 | 23 - 47 | 97013-06014 | 6 - 12 | 98580-04006 | 28 - 36 | | | | |
| 92995-10100 | 24 - 13 | | 33 - 12 | 97013-06030 | 7 - 37 | 98580-04010 | 28 - 35 | | | | |
| 92995-10600 | 18 - 63 | 93210-75M51 | 8 - 17 | 97013-06035 | 4 - 6 | 98580-05010 | 28 - 37 | | | | |
| | 19 - 31 | | 32 - 15 | 97075-08030 | 20 - 17 | | 29 - 32 | | | | |
| | 20 - 23 | 93306-001U1 | 23 - 45 | | 22 - 6 | 98580-05020 | 29 - 42 | | | | |
| | 24 - 14 | 93306-306V5 | 3 - 8 | 97075-10040 | 24 - 12 | 98586-05016 | 25 - 4 | | | | |
| 92995-12200 | 19 - 34 | 93306-307U0 | 3 - 6 | 97075-10070 | 20 - 22 | 99080-08600 | 18 - 42 | | | | |
| 93101-16001 | 2 - 10 | 93310-727U0 | 3 - 13 | 97080-08016 | 19 - 25 | 9E471-04305 | 8 - 12 | | | | |
| | 32 - 3 | 93315-32224 | 23 - 11 | 97095-06010 | 7 - 30 | | | | | | |
| 93101-22M00 | 23 - 49 | 93317-22204 | 23 - 48 | 97095-06012 | 9 - 17 | | | | | | |
| | 33 - 13 | 93332-00001 | 23 - 34 | 97095-06014 | 16 - 13 | | | | | | |
| 93101-22M60 | 23 - 20 | 93332-00003 | 23 - 39 | | 19 - 23 | | | | | | |
| | 33 - 7 | 93332-000UE | 3 - 7 | 97095-06016 | 8 - 24 | | | | | | |
| 93102-30M56 | 2 - 9 | 93420-30042 | 22 - 17 | | 11 - 12 | | | | | | |
| | 32 - 2 | 93430-06024 | 28 - 10 | | 13 - 27 | | | | | | |
| 93102-35008 | 8 - 4 | | 29 - 35 | 97095-06020 | 2 - 12 | | | | | | |
| | 32 - 14 | 93430-10M00 | 18 - 37 | 97095-06025 | 9 - 14 | | | | | | |
| 93210-03261 | 10 - 25 | | 19 - 17 | 97095-06030 | 6 - 2 | | | | | | |
| 93210-03478 | 21 - 51 | 93440-68M03 | 3 - 14 | 97095-06035 | 7 - 25 | | | | | | |
| 93210-064A5 | 21 - 26 | 93501-08001 | 21 - 59 | 97095-06040 | 6 - 28 | | | | | | |
| 93210-06ME6 | 23 - 31 | 93603-21111 | 3 - 19 | | 8 - 18 | | | | | | |
| | 33 - 10 | 93604-08062 | 23 - 24 | 97095-08016 | 12 - 10 | | | | | | |
| 93210-08006 | 21 - 50 | 93606-12019 | 22 - 3 | 97095-08025 | 24 - 9 | | | | | | |
| 93210-08287 | 25 - 14 | | 24 - 11 | 97095-08035 | 24 - 16 | | | | | | |
| 93210-09165 | 21 - 34 | 93608-12063 | 2 - 6 | 97095-08045 | 16 - 12 | | | | | | |
| 93210-10M74 | 21 - 63 | 93700-06M03 | 15 - 2 | 97303-05012 | 30 - 10 | | | | | | |
| 93210-11073 | 21 - 53 | | 18 - 19 | 97380-05025 | 28 - 8 | | | | | | |
| 93210-11368 | 21 - 24 | | 19 - 8 | 97380-08030 | 28 - 33 | | | | | | |
| 93210-16275 | 26 - 10 | 94702-00040 | 2 - 39 | 97390-06018 | 29 - 22 | | | | | | |
| 93210-18397 | 21 - 44 | 94702-00272 | 2 - 39 | 97575-08545 | 22 - 10 | | | | | | |
| 93210-32738 | 6 - 9 | 95303-05700 | 30 - 12 | 97595-06550 | 14 - 4 | | | | | | |
| | 32 - 11 | 95380-03600 | 6 - 19 | 97780-50616 | 1 - 3 | | | | | | |
| 93210-33MG4 | 23 - 30 | 95380-05600 | 10 - 12 | 97802-04006 | 8 - 16 | | | | | | |
| | 33 - 9 | | 23 - 10 | | 34 - 4 | | | | | | |
| 93210-43MJ0 | 20 - 10 | | 28 - 7 | 97880-05008 | 10 - 21 | | | | | | |
| 93210-46M16 | 4 - 11 | | 30 - 15 | 97880-05030 | 10 - 10 | | | | | | |
| | 32 - 9 | 95380-06600 | 28 - 40 | 97880-06035 | 16 - 7 | | | | | | |