

**PARTS
CATALOGUE
CATALOGO
DE REPUESTOS**

E60H'02(69D1)

2A69D-200S1

YAMAHA
GENUINE
Parts & Accessories

FOREWORD

This Parts Catalogue is related to the parts for the model(s) in the below frame. When you are ordering replacement parts, please refer to this Parts Catalogue and quote both part numbers and part names correctly.

E60H'02(69D1)

1. Modifications or additions which have been made after issue of the Parts Catalogue will be announced in the Yamaha Parts News.
It is advisable that you make necessary corrections to the Parts Catalogue according to the Yamaha Parts News.

2. Abbreviations

The Following abbreviations are used in this Parts Catalogue.

“UR” Use specified parts number.

“UN” Use as many as needed.

“AP” Alternate Parts

“LM” Local Made

(Parts need to be ordered locally)

“O/S” Over Size

3. Parts, which are to be supplied in an assembly, are listed with a dot(.) in front of the part name as shown below.

EXAMPLE

CARBURETOR ASSY

.JET, PILOT

.NOZZLE, MAIN

4. Number of component for assembly

The numeral appearing to the right of each component part indicates the quantity of parts for each assembly unit.

EXAMPLE

PART NO.	DESCRIPTION	□	□	□	□	REMARKS
6E0-85500-70	C.D.I. MAGNETO ASSY	1				
6E0-85550-70	.ROTOR ASSY	1				
6E0-15723-00-94..	PULLY, STARTER	1				

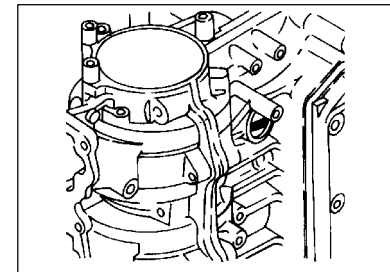
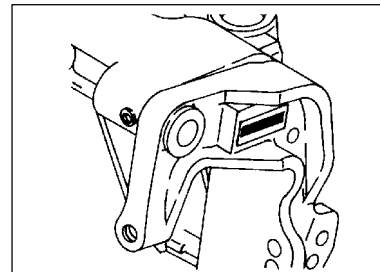
5. Quantity Column Information

NAME for Q'TY COLUMN	APPLICABLE MODEL
MHD	E60HMHD
WHD	E60HWHD
WD	E60HWD

6. Applicable Starting Serial No. and Color Code

1) Engine Starting Sserial No.

E60HMHD 6K5 S : 600135 6K5 L : 703106	E60HWD 6K5 L : 900365
E60HWHD 6K5 L : 800507	



2) Color Code

Color Code	Color Name	Abbreviation
004D	DARK BLUISH GRAY METALLIC 2	DBNM2

7. Note that the illustrations for reference in finding parts numbers, not to be used for assembling. When assembling, please use the applicable service manual.

8. The asterisk (*) before a reference number indicates modification items after the first edition.

CONTENTS

SHEET 1/2

TOP COWLING	A4
CYLINDER. CRANKCASE	A5
CRANKSHAFT. PISTON	A7
INTAKE	B2
CARBURETOR	B3
FUEL	B5
STARTER	B7
GENERATOR	C3
ELECTRICAL 1	C4
ELECTRICAL 2	C6
ELECTRICAL 3	C7
ELECTRICAL 4	D1
STARTING MOTOR	D2
BOTTOM COWLING	D3
STEERING	D5
CONTROL	E1
BRACKET 1	E3
BRACKET 2	E5
BRACKET 3	F1
UPPER CASING	F3
LOWER CASING. DRIVE 1	F5

INDEX

NUMERICAL INDEX	G1
-----------------------	----

SHEET 2/2

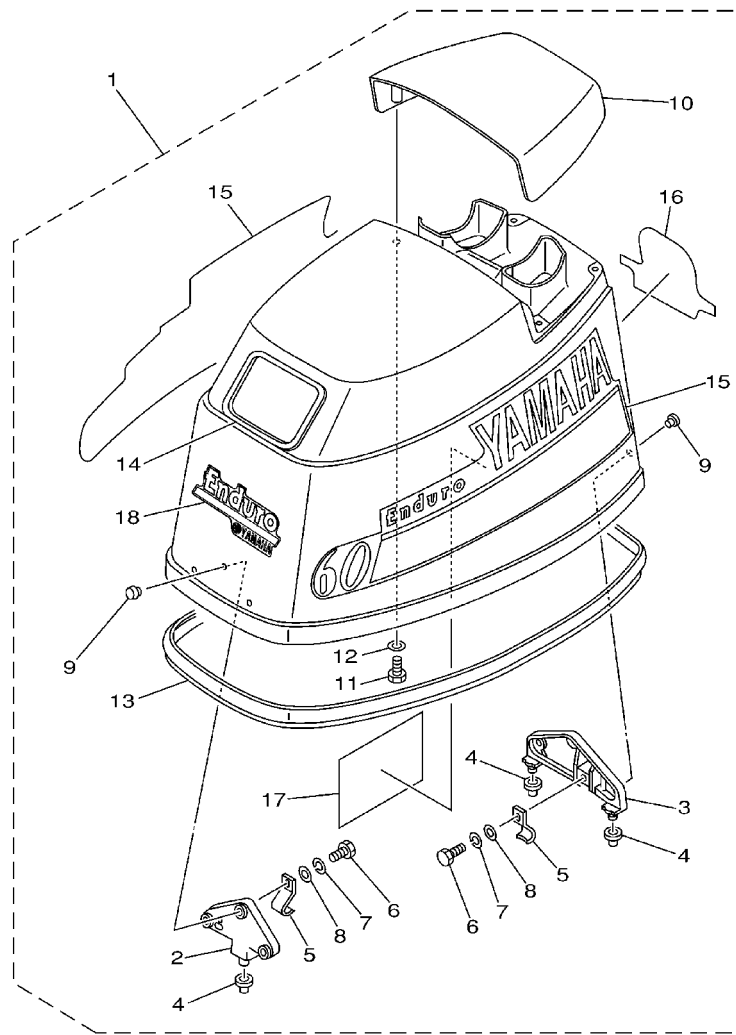
LOWER CASING. DRIVE 1	A4*
LOWER CASING. DRIVE 2	A5*
LOWER CASING. DRIVE 3	B1*
FUEL TANK	B3*
STEERING GUIDE	B4*
REMOTE CONTROL BOX	B5*
REMOTE CONTROL ASSY	B6*
METER	C2*
REPAIR KIT 1	C3*
REPAIR KIT 2	C5*

INDEX

NUMERICAL INDEX	G1*
-----------------------	-----

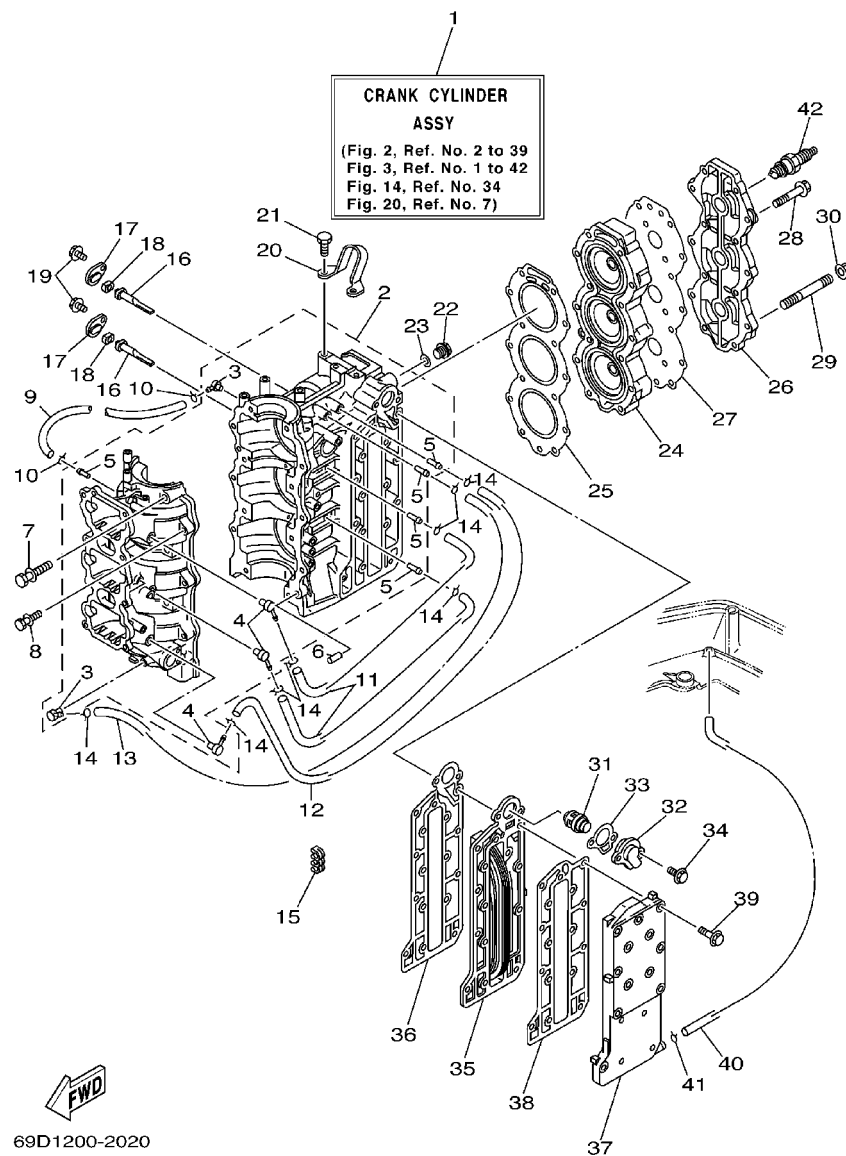
FIG. 1 TOP COWLING

SOPORTE SUPERIOR



69D1100-2010

REF. NO.	PART NO. CODIGO NO.	DESCRIPTION DESCRIPTION	MHD	WHD	WD	REMARKS OBSERVACION
1	69D-42610-H0-4D	TOP COWLING ASSY SOPORTE SUPERIOR COMPL.	1	1	1	
2	6H3-42647-00-94	.HOLDER, CLAMP BAND .MORDAZA DE ABRAZADERA	1	1	1	
3	6H3-42649-00-94	.HOLDER, CLAMP BAND .MORDAZA DE ABRAZADERA	1	1	1	
4	663-42662-00	.DAMPER .AMORTIGUADOR	3	3	3	
5	6H3-42652-00	.HOOK .GANCHO	2	2	2	
6	97095-06016	.BOLT .PERNO	2	2	2	
7	92995-06100	.WASHER, SPRING .ARANDELA	2	2	2	
8	92995-06600	.WASHER .ARANDELA	2	2	2	
9	90266-06009	.RIVET .REMACHE	6	6	6	
10	6H3-42613-01-4D	.MOLDING, AIR DUCT .MOLDURA CONDUCTO AIRE	1	1	1	
11	97095-06016	.BOLT .PERNO	4	4	4	
12	92995-06600	.WASHER .ARANDELA	4	4	4	
13	6H3-42615-00	.SEAL .SELLO	1	1	1	
14	6K5-15761-00	.SEAL, RUBBER 1 .SELLO DE GOMA 1	1	1	1	
15	6K5-W0070-H0	.GRAPHIC SET JUEGO DE EMBLEMA	1	1	1	
16	6K5-42678-H0	.GRAPHIC, REAR .CALCAMONIA TRASERA	1	1	1	
17	677-13437-08	.MARK, CAUTION .MARKER	1	1	1	
18	69D-42677-H0	.GRAPHIC, FRONT .CALCAMONIA FRONTAL	1	1	1	



69D1200-2020

FIG. 2 CYLINDER. CRANKCASE CYLINDRO. CARTER

REF. NO.	PART NO. CODIGO NO.	DESCRIPTION DESCRIPTION	MHD	WHD	WD	REMARKS OBSERVACION
1	69D-W0090-00-1S	CRANK CYLINDER ASSY BLOQUE MOTOR COMPLETO	1	1	1	
2	69D-15100-00-1S	CRANKCASE ASSY CARTER COMPLETO	1	1	1	
3	688-11370-00	.CHECK VALVE ASSY .VALVULA DE CONTROL COMPL.	2	2	2	
4	650-11370-00	.CHECK VALVE ASSY .VALVULA DE CONTROL COMPL.	3	3	3	
5	624-14485-00	.PIPE, JOINT .TUBO DE UNION	5	5	5	
6	93608-12063	PIN, DOWEL PASADOR DE CLAVIJA	2	2	2	
7	90119-10005	BOLT, WITH WASHER TORNILLO CON ARANDELA	8	8	8	
8	90119-08M64	BOLT, WITH WASHER TORNILLO CON ARANDELA	6	6	6	
9	90445-07M44	HOSE (L250) TUBO (L250)	1	1	1	
10	90467-06016	CLIP PRESILLA	2	2	2	
11	90445-07M02	HOSE (L167) TUBO (L167)	2	2	2	
12	90445-07M45	HOSE (L340) TUBO (L340)	1	1	1	
13	90445-07M82	HOSE (L440) TUBO (L440)	1	1	1	
14	90467-06016	CLIP PRESILLA	8	8	8	
15	90464-07M05	CLAMP BRIDA	1	1	1	
16	6H3-11325-01	ANODE ANODO	2	2	2	
17	6H3-11327-00-1S	COVER, ANODE CUBIERTA	2	2	2	
18	6H3-11328-00	GROMMET, ANODE TAPON	2	2	2	
19	90119-06023	BOLT, WITH WASHER TORNILLO CON ARANDELA	2	2	2	
20	6K5-11119-01	HANGER, ENGINE SOPORTE DEL MOTOR	1	1	1	
21	90101-08002	BOLT TORNILLO	2	2	2	
22	90340-14M00	PLUG, STRAIGHT SCREW TORNILLO, DE DRENAJE	1	1	1	
23	90430-14115	GASKET JUNTA	1	1	1	
24	6H3-11111-01-1S	HEAD, CYLINDER 1 CULATA CILINDRO 1	1	1	1	
25	6H3-11181-A1	GASKET, CYLINDER HEAD 1 JUNTA, DE CULATA 1	1	1	1	
26	6H3-11191-00-1S	COVER, CYLINDER HEAD 1 TAPA CULATA DE CILINDRO 1	1	1	1	
27	6H3-11193-A1	GASKET, HEAD COVER 1 EMPAQUE	1	1	1	

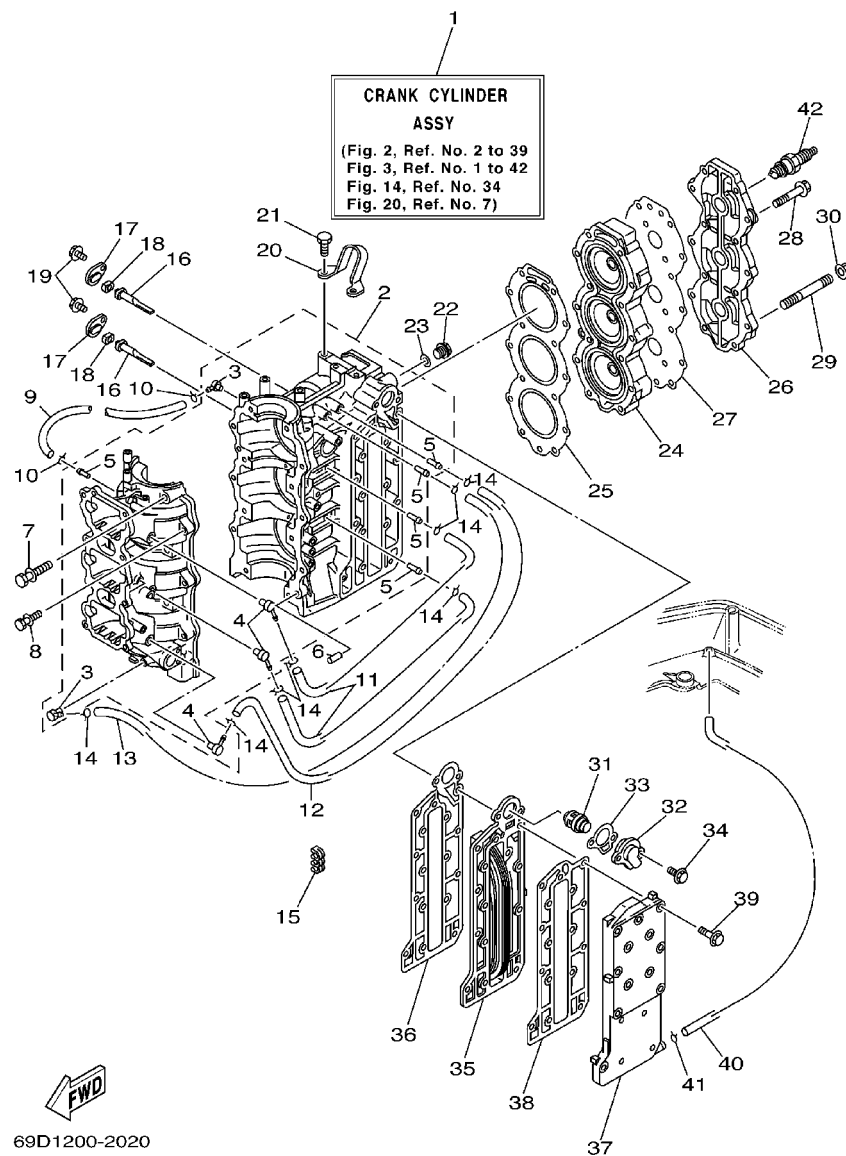
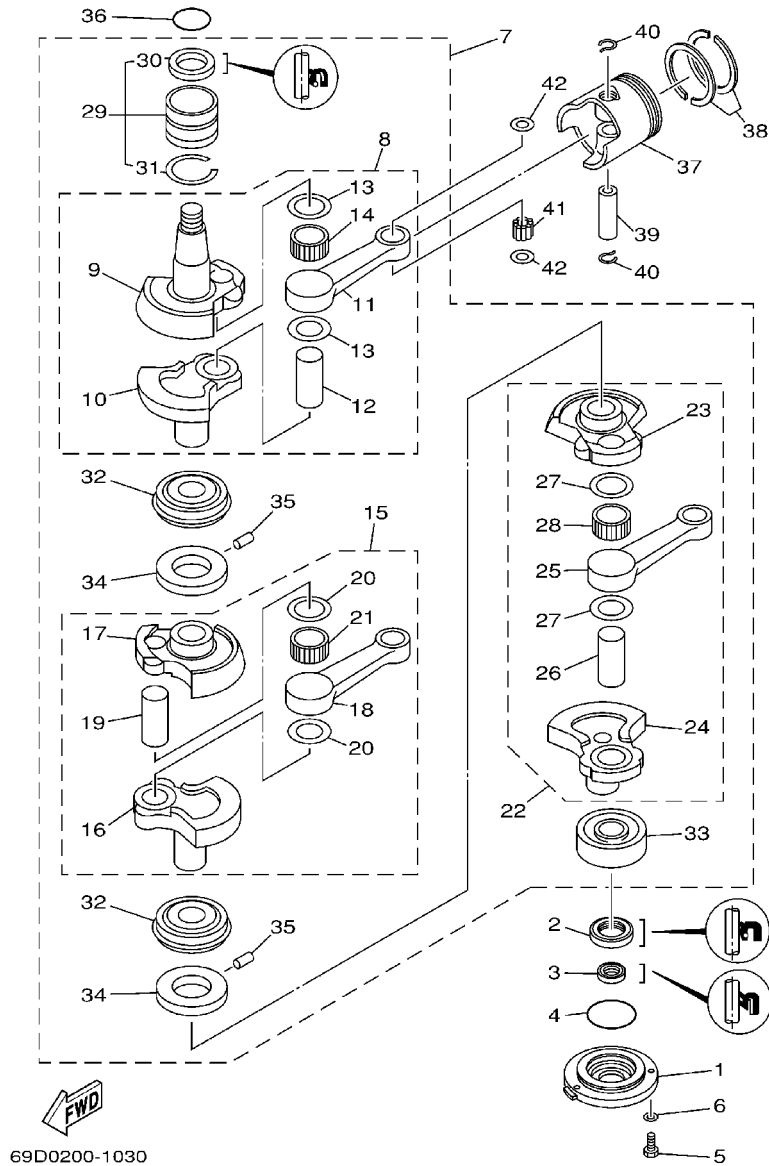


FIG. 2 CYLINDER. CRANKCASE CYLINDRO. CARTER

REF. NO.	PART NO. CODIGO NO.	DESCRIPTION DESCRIPTION	MHD	WHD	WD	REMARKS OBSERVACION
28	90119-08MA5	BOLT, WITH WASHER TORNILLO CON ARANDELA	13	13	13	
29	90116-08M69	BOLT, STUD ESPARRAGO	1	1	1	
30	90179-08M34	NUT TUERCA	1	1	1	
31	6H3-12411-10	THERMOSTAT THERMOSTAT	1	1	1	
32	6H3-12413-00-1S	COVER, THERMOSTAT CUBIERTA THERMOSTATO	1	1	1	
33	6H3-12414-A1	GASKET, COVER EMPAQUE	1	1	1	
34	90119-06MA3	BOLT, WITH WASHER TORNILLO CON ARANDELA	2	2	2	
35	6H3-41111-01-1S	INNER COVER, EXHAUST CUBIERTA INTERIOR DE ESCAPE	1	1	1	
36	6H3-41112-A0	GASKET, EXHAUST INNER COVER EMPAQUE	1	1	1	
37	6H3-41113-02-1S	OUTER COVER, EXHAUST CUBOERTA EXTERIOR DE ESCAPE	1	1	1	
38	6H3-41114-A0	GASKET, EXHAUST OUTER COVER EMPAQUE	1	1	1	
39	90119-06MA5	BOLT, WITH WASHER TORNILLO CON ARANDELA	16	16	16	
40	663-24312-01	PIPE 2 TUBO 2	1	1	1	
41	90467-08004	CLIP PRESILLA	1	1	1	
42	94702-00160	PLUG, SPARK (NGK B8HS-10) BUJIA (NGK B8HS-10)	3	3	3	
	94702-00247	PLUG, SPARK (NGK BR8HS-10) BUJIA (NGK BR8HS-10)	3	3	3	FOR CARIB,CHINA

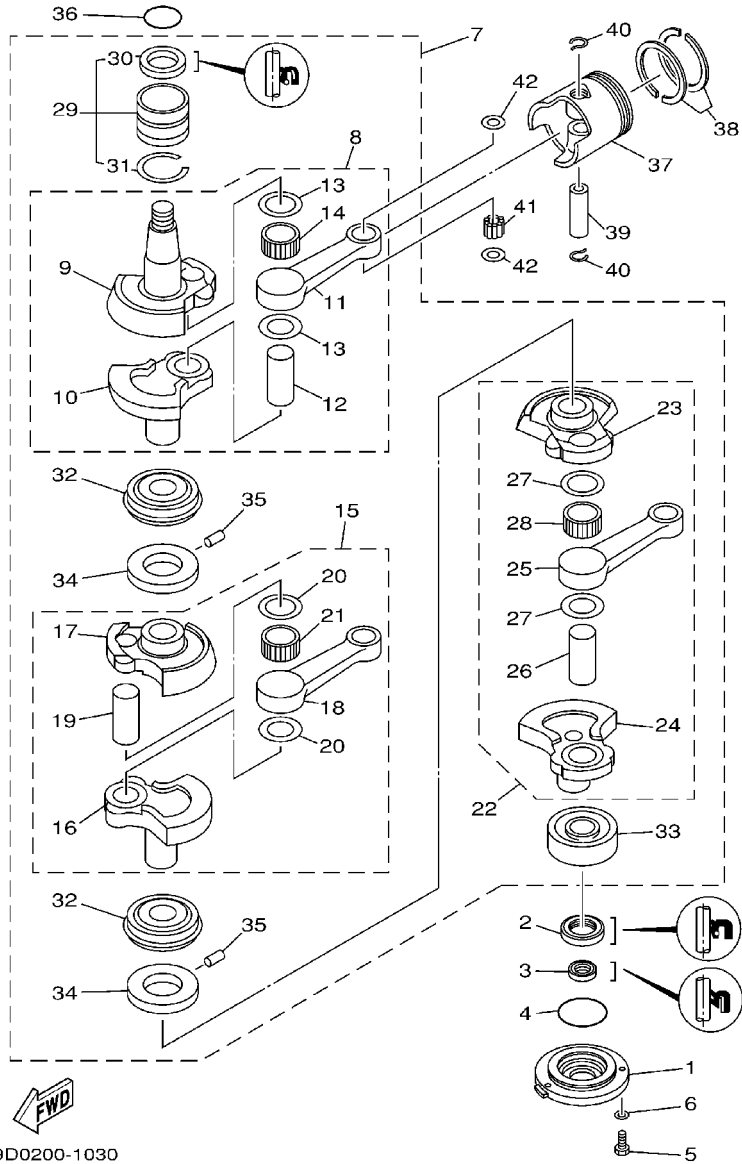
FIG. 3 CRANKSHAFT. PISTON

CIGUENAL. PISTON



69D0200-1030

REF. NO.	PART NO. CODIGO NO.	DESCRIPTION DESCRIPTION	MHD	WHD	WD	REMARKS OBSERVACION
1	6H3-15359-00-94	HOUSING, OIL SEAL CAJA DE SELLO DE ACEITE	1	1	1	
2	93102-30M23	OIL SEAL SELLO ACEITE	1	1	1	
3	93106-18M01	OIL SEAL SELLO ACEITE	1	1	1	
4	93210-65M50	O-RING ANILLO O	1	1	1	
5	97095-06020	BOLT PERNO	3	3	3	
6	92995-06600	WASHER ARANDELA	3	3	3	
7	69D-11400-00	CRANKSHAFT ASSY CIGUENAL COMPLETO	1	1	1	
8	6K5-11401-00	..CRANK SUB ASSY 1 ..MANIVELA SEMI-ARMADA 1	1	1	1	
9	6K5-11412-00	..CRANK 1 ..MANIVELA 1	1	1	1	
10	6K5-11422-00	..CRANK 2 ..MANIVELA 2	1	1	1	
11	6K5-11651-00	..ROD, CONNECTING ..BIELA	1	1	1	
12	6K5-11681-00	..PIN, CRANK 1 ..PASADOR MANIVELA 1	1	1	1	
13	90209-27M11	..WASHER ..ARANDELA DE SEPARACION	2	2	2	
14	93310-527W1	..BEARING ..COJINETE	1	1	1	
15	6K5-11402-00	..CRANK SUB ASSY 2 ..MANIVELA SEMI-ARMADA 2	1	1	1	
16	6K5-11422-00	..CRANK 2 ..MANIVELA 2	1	1	1	
17	6K5-11432-00	..CRANK 3 ..MANIVELA 3	1	1	1	
18	6K5-11651-00	..ROD, CONNECTING ..BIELA	1	1	1	
19	6K5-11681-00	..PIN, CRANK 1 ..PASADOR MANIVELA 1	1	1	1	
20	90209-27M11	..WASHER ..ARANDELA DE SEPARACION	2	2	2	
21	93310-527W1	..BEARING ..COJINETE	1	1	1	
22	6K5-11403-00	..CRANK SUB ASSY 3 ..CONJUNTO SUBMANIVELA 3	1	1	1	
23	6K5-11432-00	..CRANK 3 ..MANIVELA 3	1	1	1	
24	6K5-11442-00	..CRANK 4 ..MANIVELA 4	1	1	1	
25	6K5-11651-00	..ROD, CONNECTING ..BIELA	1	1	1	
26	6K5-11681-00	..PIN, CRANK 1 ..PASADOR MANIVELA 1	1	1	1	
27	90209-27M11	..WASHER ..ARANDELA DE SEPARACION	2	2	2	



69D0200-1030

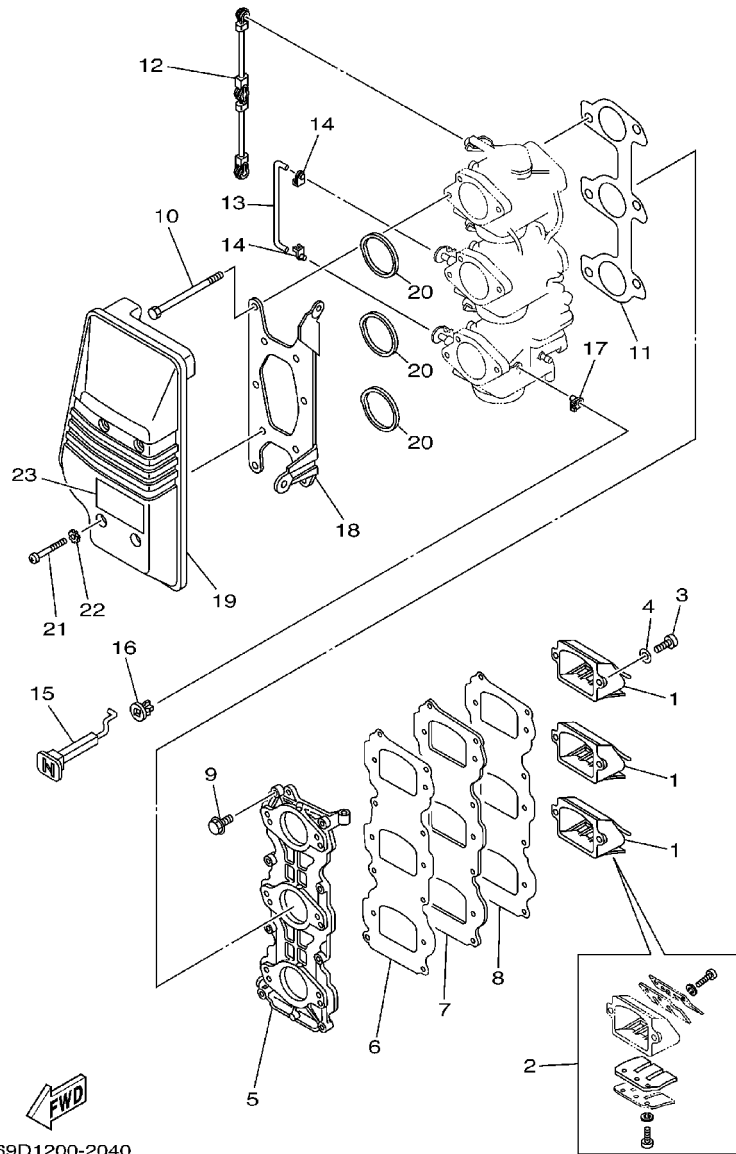
FIG. 3 CRANKSHAFT. PISTON

CIGUENAL. PISTON

REF. NO.	PART NO. CODIGO NO.	DESCRIPTION DESCRIPTION	MHD	WHD	WD	REMARKS OBSERVACION
28	93310-527W1	..BEARING ..COJINETE	1	1	1	
29	93311-636U6	..BEARING ..COJINETE	1	1	1	
30	93102-36M24	..OIL SEAL ..SELLO ACEITE	1	1	1	
31	93440-49M04	..CIRCLIP ..BOLA	1	1	1	
32	93332-000UE	..BEARING ..COJINETE	2	2	2	
33	93306-306V1	..BEARING ..COJINETE	1	1	1	
34	6H3-11515-00	..SEAL, LABYRINTH 1 ..SELLO LABERINTO 1	2	2	2	
35	91609-30310	..PIN, SPRING ..PASADOR DE RESORTE	2	2	2	
36	93210-46M16	O-RING ANILLO O	1	1	1	
37	6K5-11631-03-95	PISTON (STD) PISTON (STD)	3	3	3	
	6K5-11635-03	PISTON (0.25MM O/S) PISTON (0.25MM O/S)	3	3	3	AP
	6K5-11636-03	PISTON (0.50MM O/S) PISTON (0.50MM O/S)	3	3	3	AP
38	6K5-11601-02	PISTON RING SET (STD) JUEGO DE AROS (STD)	3	3	3	
	6K5-11601-12	PISTON RING SET (0.25MM O/S) JUEGO DE AROS (0.25MM O/S)	3	3	3	AP
	6K5-11601-22	PISTON RING SET (0.50MM O/S) JUEGO DE AROS (0.50MM O/S)	3	3	3	AP
39	6H3-11633-00	PIN, PISTON PASADOR, PISTON	3	3	3	
40	688-11634-10	CLIP, PISTON PIN PRESILLA, BULON DE PISTON	6	6	6	
41	93603-18M09	PIN, DOWEL PASADOR DE CLAVIJA	84	84	84	
42	90201-20417	WASHER, PLATE ARANDELA PLANA	6	6	6	

FIG. 4 INTAKE

ADMISION

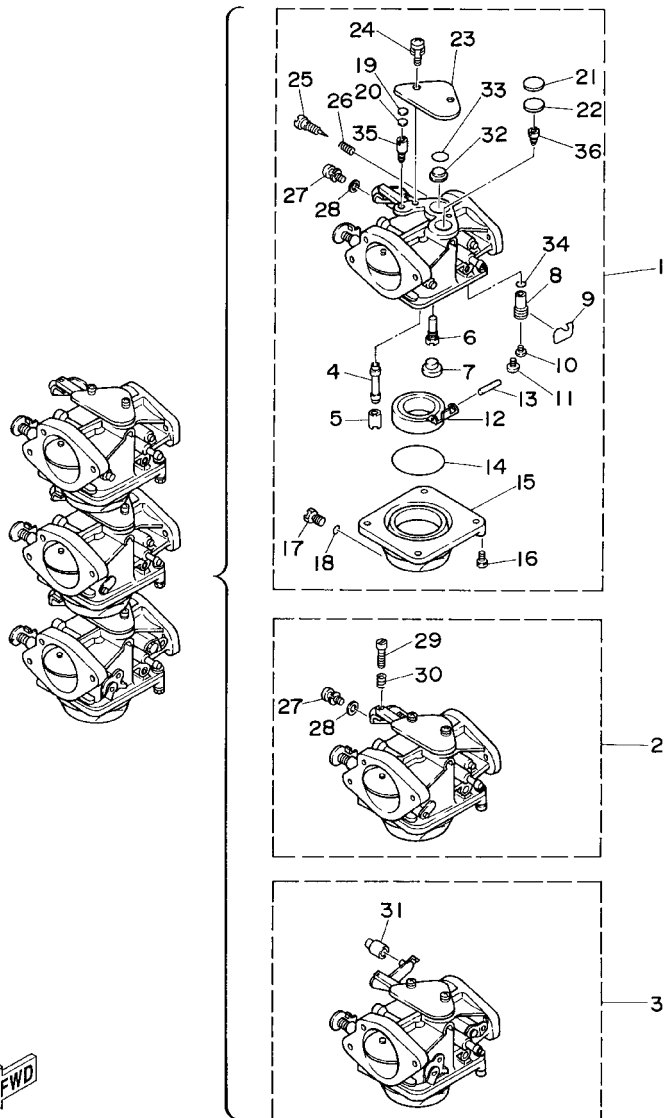


69D1200-2040

REF. NO.	PART NO. CODIGO NO.	DESCRIPTION DESCRIPTION	MHD	WHD	WD	REMARKS OBSERVACION
1	6H2-13610-00	REED VALVE ASSY VALVULA DE LAMINAS COMPLETA	3	3	3	
2	688-W0004-00	.REED SET .JUEGO DE VALVULAS DE LENGUETA	1	1	1	
3	97880-05016	SCREW, PAN HEAD TORNILLO DE CABEZA CON PLANA	6	6	6	
4	92990-05600	WASHER, PLATE ARANDELA	6	6	6	
5	6H3-13641-03-94	MANIFOLD 1 MULTIPLE 1	1	1	1	
6	6H3-13621-A1	GASKET, VALVE SEAT JUNTA, DE VALV.DE EMPAQUE	1	1	1	
7	6H3-13624-00-94	PLATE, REED VALVE PLACA DE VALVULA DE LAMINAS	1	1	1	
8	6H3-13622-A1	GASKET, VALVE SEAT EMPAQUE DE ASIENTO VALVULA	1	1	1	
9	90119-06MA3	BOLT, WITH WASHER TORNILLO CON ARANDELA	8	8	8	
10	97095-06095	BOLT PERNO	6	6	6	
11	6H3-14198-A1	GASKET EMPAQUE	1	1	1	
12	6H3-41217-00	ROD, ACCEL. LEVER VARILLA PALANCA ACELERADOR	1	1	1	
13	6H3-41257-00	ROD, CHOKE 2 VARILLA DE AHOGADOR	2	2	2	
14	661-41262-02	JOINT, CHOKE LEVER CONECTOR DE AHOGADOR	4	4	4	
15	6H3-41271-00	KNOB, CHOKE PERILLA AHOGADOR	1	1	1	
16	689-41273-00	GROMMET TAPON PROTECTOR	1	1	1	
17	661-41262-02	JOINT, CHOKE LEVER CONECTOR DE AHOGADOR	1	1	1	
18	6H3-14413-10	STAY SOPORTE	1	1	1	
19	6H3-14440-02	SILENCER ASSY, INTAKE SILENCIADOR COMPL DE ADMISION	1	1	1	
20	6H3-14457-01	SEAL SELLO	3	3	3	
21	97885-06045	SCREW, PAN HEAD TORNILLO DE CABEZA CON PLANA	4	4	4	
22	90209-06M05	WASHER ARANDELA DE SEPARACION	4	4	4	
23	6K5-14488-00	LABEL, CAUTION ETIQUETA PRECAUCION	1	1	1	

FIG. 5 CARBURETOR

CARBURADOR

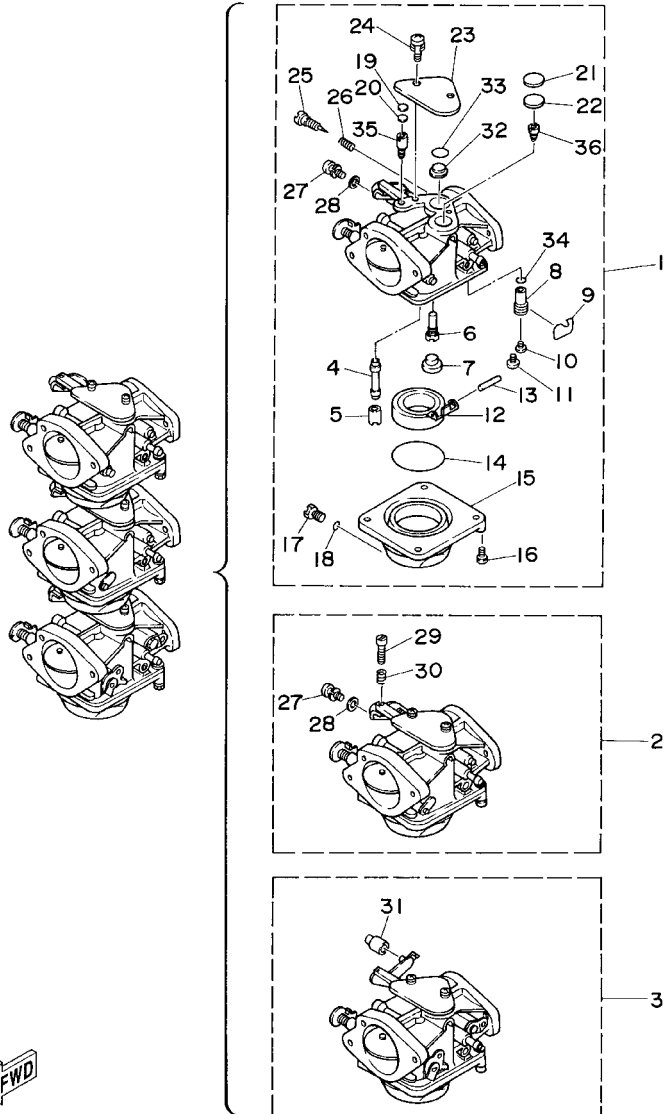


REF. NO.	PART NO. CODIGO NO.	DESCRIPTION DESCRIPTION	MHD	WHD	WD	REMARKS OBSERVACION
1	6K5-14301-03	CARBURETOR ASSY 1 CARBURADOR COMPLETO 1	1	1	1	
2	6K5-14302-03	CARBURETOR ASSY 2 CARBURADOR COMPLETO 2	1	1	1	
3	6K5-14303-03	CARBURETOR ASSY 3 CARBURADOR COMPLETO 3	1	1	1	
4	6H2-14947-02	.NOZZLE, MAIN .INYEctor DE AGUJA	3	3	3	
5	676-14943-34	.JET, MAIN (#135) .INYEctor PRINCIPAL (#135)	3	3	3	
6	6H4-14948-15	.JET, SLOW (#70) .INYEctor (#70)	3	3	3	
7	676-14966-00	.CAP .TAPA	3	3	3	
8	6H3-14590-00	.NEEDLE VALVE ASSY .VALVULA DE AGUJA COMPLETA	3	3	3	
9	663-14159-00	.CLIP .PRESILLA	3	3	3	
10	676-14186-00	.PIN, FLOAT .PASADOR DE LA BOYA	3	3	3	
11	98580-04008	.SCREW, PAN HEAD .TORNILLO DE CABEZA CON PLANA	3	3	3	
12	6G1-14985-00	.FLOAT .BOIA	3	3	3	
13	688-14548-00	.PIN, FLOAT ARM .PASADOR DE BRAZO DE BOIA	3	3	3	
14	6G1-14984-00	.O-RING .EMPAQUE CAMARA DE BOIA	3	3	3	
15	6H2-14980-00	BODY, FLOAT CHAMBER CUERPO CAMARA DE BOIA	3	3	3	
16	97980-04114	.SCREW, WITH WASHER .TORNILLO, CON ARANDELA	12	12	12	
17	6H3-14992-00	.SCREW, DRAIN .TORNILLO, SEGURO	3	3	3	
18	93210-04230	.O-RING .ANILLO O	3	3	3	
19	663-14126-00	.GASKET .EMPAQUE	3	3	3	
20	663-14527-00	.PLATE .PLACA	3	3	3	
21	688-14126-00	.GASKET .EMPAQUE	3	3	3	
22	688-14527-00	.PLATE .PLACA	3	3	3	
23	6H2-14527-01	.PLATE .PLACA	3	3	3	
24	97980-05310	.SCREW, WITH WASHER .TORNILLO, CON ARANDELA	6	6	6	
25	692-14923-00	.SCREW, PILOT .TORNILLO DE AJUSTE	3	3	3	
26	679-14555-00	.SPRING .RESORTE	3	3	3	
27	6K5-14592-00	.SCREW .TORNILLO	2	2	2	#1,2

6K50100-4050

FIG. 5 CARBURETOR

CARBURADOR



REF. NO.	PART NO. CODIGO NO.	DESCRIPTION DESCRIPTION	MHD	WHD	WD	REMARKS OBSERVACION
28	90201-05652	.WASHER, PLATE .ARANDELA PLANA	2	2	2	#1,2
29	63V-14523-00	.SCREW, STOP .TORNILLO DE TOPE	1	1	1	#2
30	90501-10326	.SPRING, COMPRESSION .RESORTE DE COMPRESION	1	1	1	#2
31	6H2-14578-00	.COLLAR .COLLAR	1	1	1	#3
32	6H3-14578-00	.PLATE .COLLAR	3	3	3	
33	93210-15M52	.O-RING .ANILLO O	3	3	3	
34	93210-04228	.O-RING .ANILLO O	3	3	3	
35	6K5-14945-36	.JET, AIR MAIN (#145) .INYECTOR (#145)	3	3	3	
36	6K5-14950-21	.JET, AIR SLOW (#85) .ESPREA DE AIRE PILOTO	3	3	3	

6K50100-4050

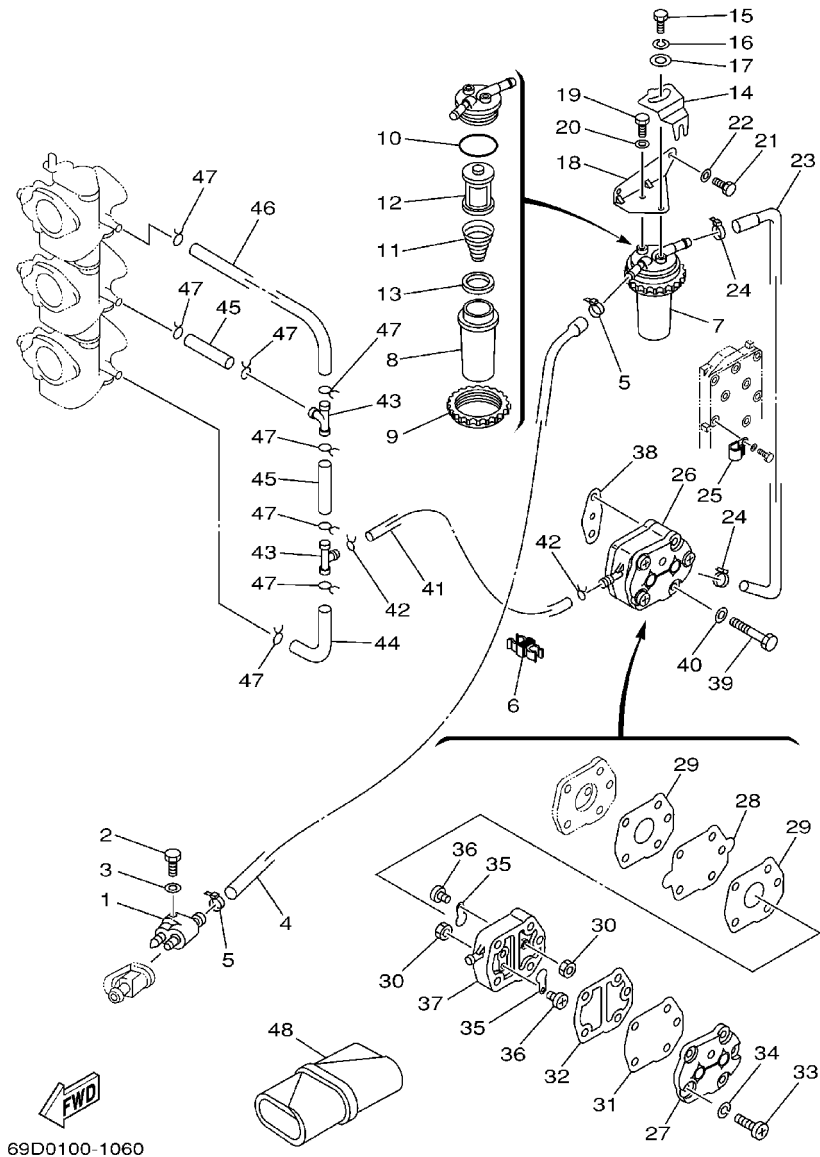


FIG. 6 FUEL

COMBUSTIBLE

REF. NO.	PART NO. CODIGO NO.	DESCRIPTION DESCRIPTION	MHD	WHD	WD	REMARKS OBSERVACION
1	6G1-24304-02	FUEL PIPE JOINT COMP. 1 CONECTOR MANGUERA COMBUST.1	1	1	1	
2	97095-06025	BOLT PERNO	1	1	1	
3	92995-06600	WASHER ARANDELA	1	1	1	
4	69D-24311-00	PIPE, FUEL 1 TUBO DE COMBUSTIBLE 1	1	1	1	
5	90465-11M10	CLAMP BRIDA	2	2	2	
6	90464-10M59	CLAMP BRIDA	1	1	1	
7	61A-24560-04	FILTER ASSY FILTRO COMPLETO	1	1	1	
8	61A-24521-00	.CUP, FILTER .COPA DE FILTRO	1	1	1	
9	65L-24531-01	.NUT .TUERCA	1	1	1	
10	61A-24564-00	.O-RING .ANILLO O	1	1	1	
11	61A-24577-01	.SPRING .RESORTE	1	1	1	
12	61A-24563-00	.ELEMENT, FILTER .ELEMENTO DEL FILTRO	1	1	1	
13	61A-24469-00	.FLOAT, WATER LEVEL .BOIA	1	1	1	
14	65L-24558-00	HOLDER, FILTER SOPORTE DE FILTRO	1	1	1	
15	97095-06016	BOLT PERNO	1	1	1	
16	92995-06100	WASHER, SPRING ARANDELA	1	1	1	
17	90201-06068	WASHER, PLATE ARANDELA PLANA	1	1	1	
18	69D-24566-01	BRACKET, FILTER SOPORTE DEL FILTRO	1	1	1	
19	97095-06014	BOLT PERNO	1	1	1	
20	92995-06600	WASHER ARANDELA	1	1	1	
21	97095-06016	BOLT PERNO	2	2	2	
22	92995-06600	WASHER ARANDELA	2	2	2	
23	69D-24312-00	PIPE 2 TUBO 2	1	1	1	
24	90465-11M10	CLAMP BRIDA	2	2	2	
25	90465-08M83	CLAMP BRIDA	1	1	1	
26	692-24410-00	FUEL PUMP ASSY BOMBA DE COMBUSTIBLE COMPLETA	1	1	1	
27	6A0-24413-00	.BODY 2 .CUERPO 2	1	1	1	

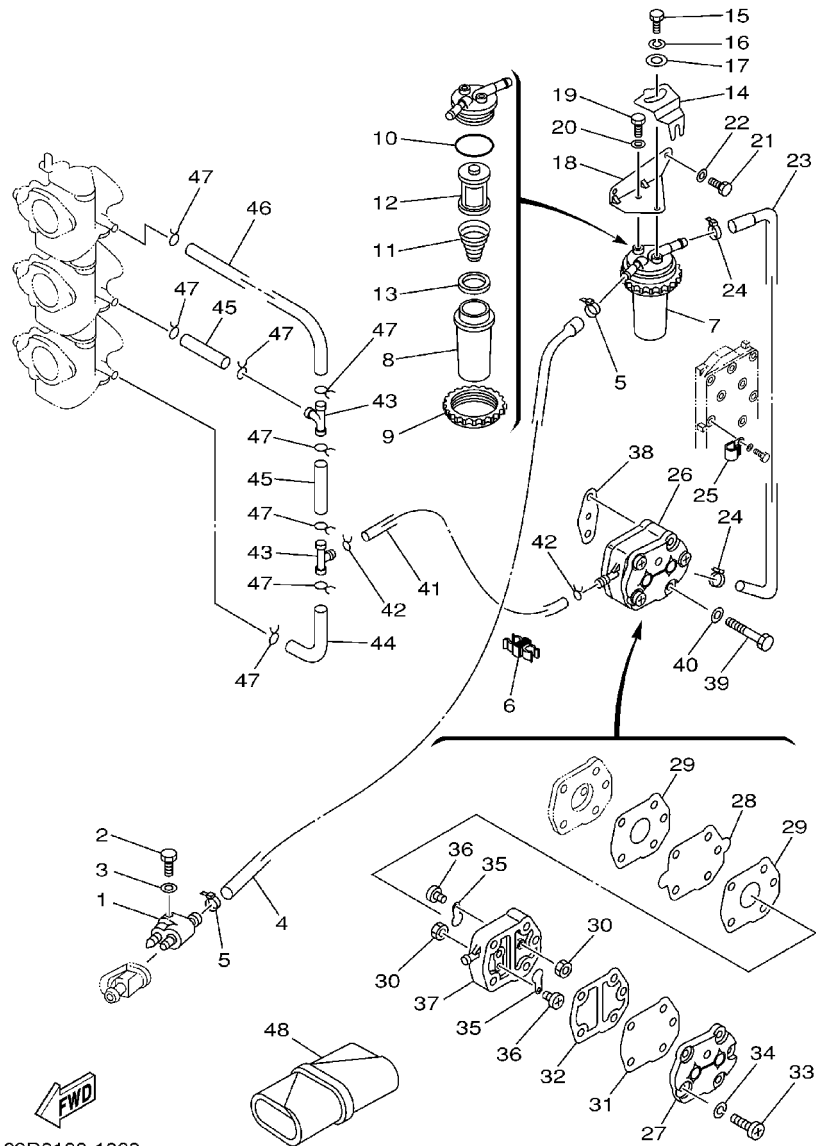


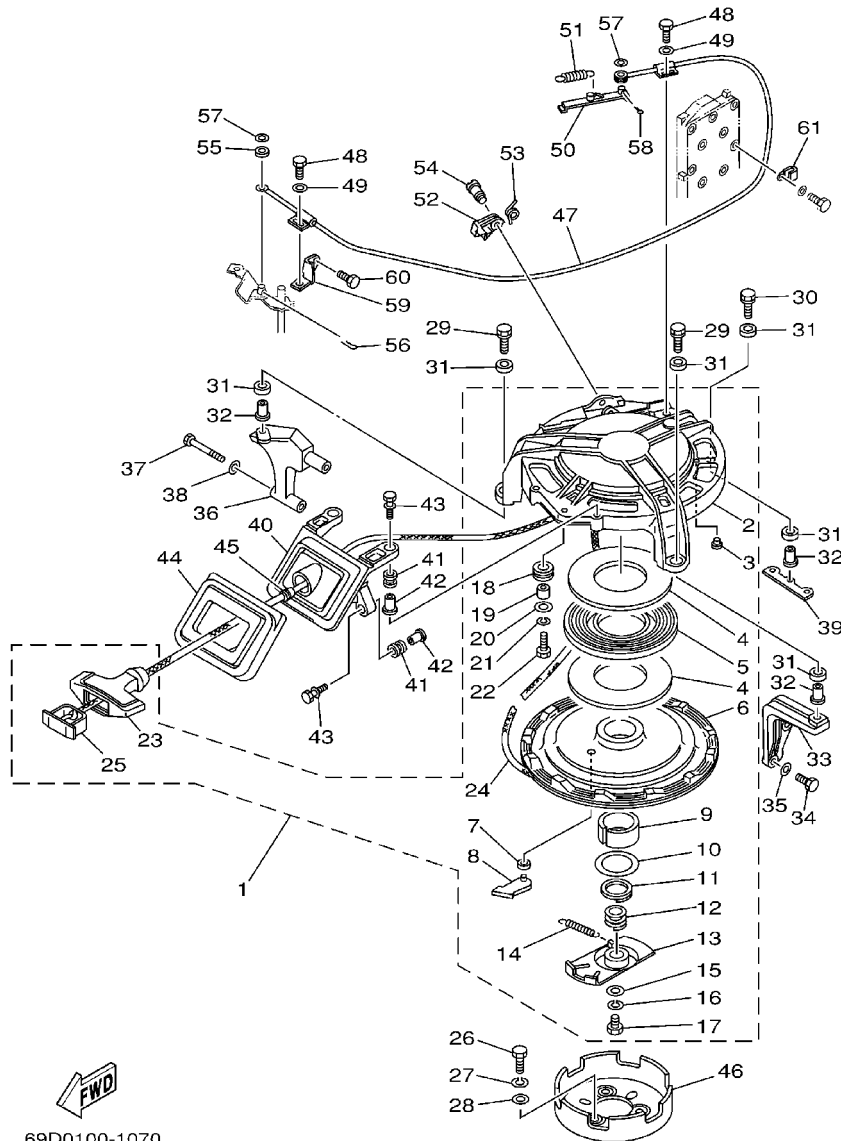
FIG. 6 FUEL

COMBUSTIBLE

REF. NO.	PART NO. CODIGO NO.	DESCRIPTION DESCRIPTION	MHD	WHD	WD	REMARKS OBSERVACION
28	692-24411-00	.DIAPHRAGM .DIAFRAGMA	1	1	1	
29	648-24434-01	.GASKET, BODY .EMPAQUE	2	2	2	
30	95380-03600	.NUT .TUERCA	2	2	2	
31	663-24411-00	.DIAPHRAGM .DIAFRAGMA	1	1	1	
32	648-24435-02	.GASKET, BODY 2 .EMPAQUE	1	1	1	
33	98503-05028	.SCREW, PAN HEAD .TORNILLO DE CABEZA CON PLANA	3	3	3	
34	92990-05100	.WASHER, SPRING .ARANDELA	3	3	3	
35	6A0-24421-01	.VALVE, CHECK .VALVULA DE RETENCION	2	2	2	
36	6A0-14325-00	.SCREW, PAN HEAD .TORNILLO CABEZA REDONDA	2	2	2	
37	6A0-24412-02	.BODY 1 .CUERPO 1	1	1	1	
38	650-24431-A0	GASKET, FUEL PUMP 1 EMPAQUE BOMBA COMBUST 1	1	1	1	
39	97095-06040	BOLT PERNO	2	2	2	
40	92995-06600	WASHER ARANDELA	2	2	2	
41	90445-09072	HOSE (L120) TUBO (L120)	1	1	1	
42	90467-08004	CLIP PRESILLA	2	2	2	
43	688-24378-00	PIPE, JOINT 4 TUBO DE UNION 4	2	2	2	
44	6H3-24313-00	PIPE 3 TUBO 3	1	1	1	
45	90445-09220	HOSE TUBO	2	2	2	
46	6H3-24314-00	PIPE 4 TUBO 4	1	1	1	
47	90467-08004	CLIP PRESILLA	8	8	8	
48	656-W2810-02	TOOL KIT JUEGO DE HERRAMIENTAS	1	1	1	

FIG. 7 STARTER

ARRANQUE



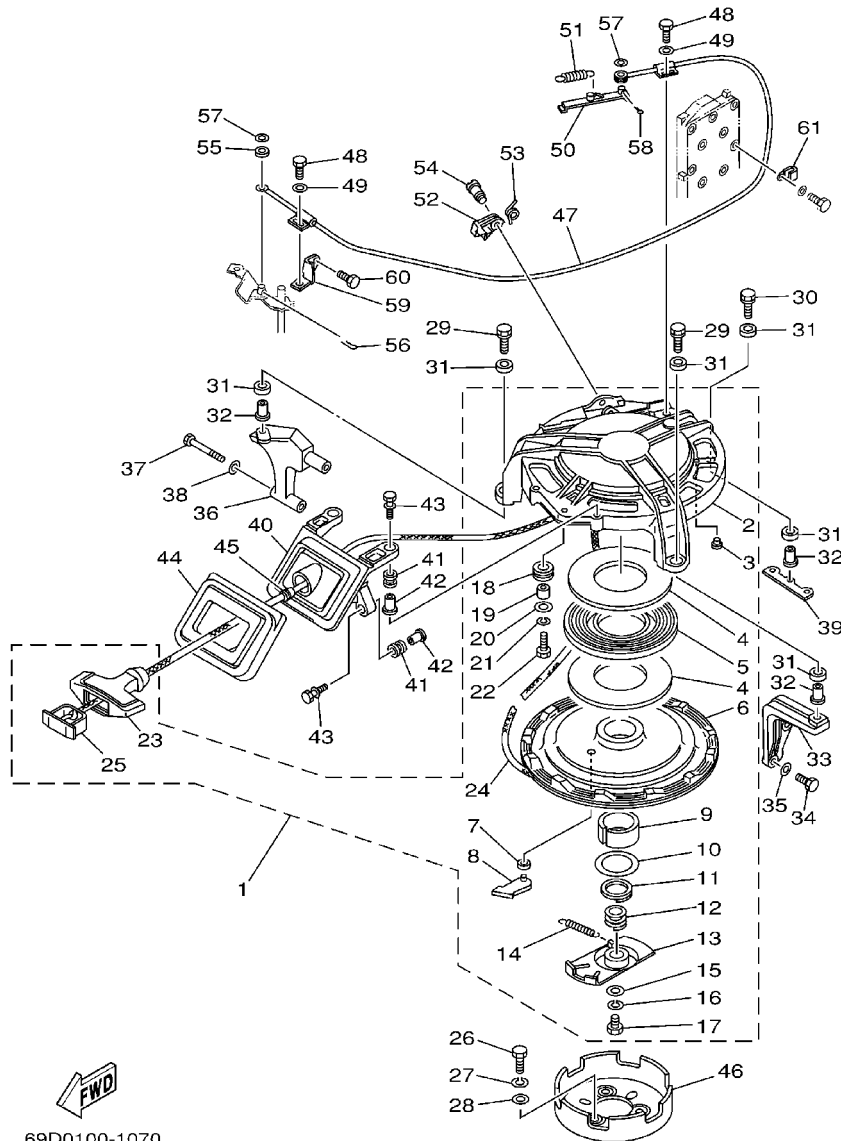
REF. NO.	PART NO. CODIGO NO.	DESCRIPTION DESCRIPTION	MHD	WHD	WD	REMARKS OBSERVACION
1	692-W1571-02	STARTER ASSY ARRANQUE COMPLETO	1	1	1	
2	692-15711-00	.CASE, STARTER .CAJA DE ARRANQUE	1	1	1	
3	648-15773-00	.STAY 3 .SOPORTE 3	5	5	5	
4	663-15739-00	.WASHER, THRUST ARANDELA DE EMPUJE AXIAL	2	2	2	
5	663-15713-00	.SPRING, STARTER RESORTE DE ARRANQUE	1	1	1	
6	663-15714-01	.DRUM, SHEAVE .TAMBOR ROLDANA	1	1	1	
7	663-15764-00	.COLLAR 1 .COLLAR 1	1	1	1	
8	663-15741-02	.PAWL, DRIVE .TRINQUETE DE TRACCION	1	1	1	
9	663-15754-00	.BUSH 2 .BUJE	1	1	1	
10	663-15726-01	.WASHER, FLAT ARANDELA PLANA	1	1	1	
11	663-15744-00	.CIRCLIP .SEGURO	1	1	1	
12	663-15715-00	.SPRING, FRICTION RESORTE PLACA DE TRACCION	1	1	1	
13	663-15716-01	.PLATE, DRIVE .PLACA DE TRACCION	1	1	1	
14	663-15734-01	.SPRING, RETURN RESORTE DE RETORNO	1	1	1	
15	663-15719-00	.WASHER, THRUST ARANDELA DE EMPUJE	1	1	1	
16	92903-06100	.WASHER, SPRING ARANDELA	1	1	1	
17	97303-06016	.BOLT .PERNO	1	1	1	
18	663-15752-00	.ROLLER, WIRE RODILLO DE CUERDA	1	1	1	
19	663-15753-00	.BUSH .BUJE	1	1	1	
20	663-15791-00	.WASHER, LOCK EMBLEMA	1	1	1	
21	92903-06100	.WASHER, SPRING ARANDELA	1	1	1	
22	97303-06025	.BOLT .PERNO	1	1	1	
23	689-15755-01	.HANDLE, STARTER MANIJA DE ARRANQUE	1	1	1	
24	*	.WIRE (L:2300MM) .CABLE (L:2300MM)	1	1	1	
25	6F5-15779-02	.COVER CUBIERTA	1	1	1	

* CUT FROM 50M ROLLS, PART NO. 90890-44374, CUTTING LENGTH 2.3M

* CORTE DE UN RODILLO DE 50M , PARTS NUMERO 90890-44374, LARGO DEL CORTE 2.3M

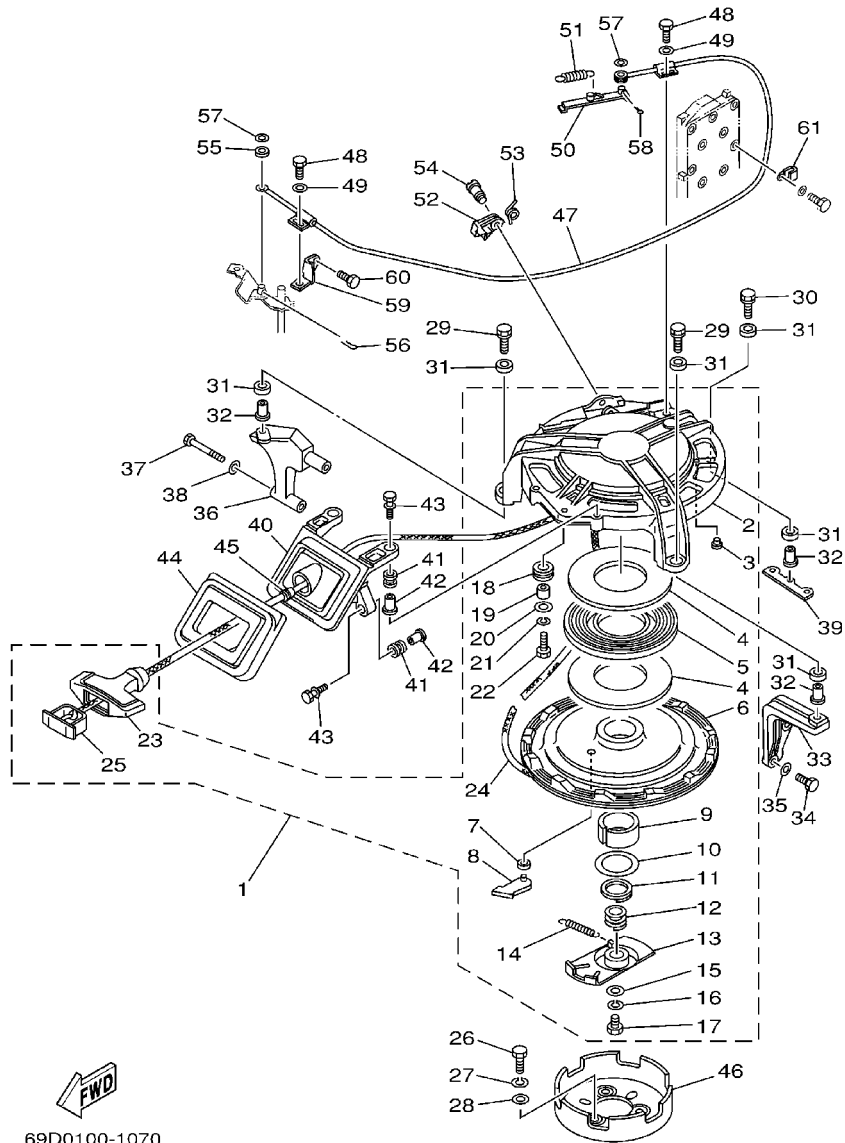
FIG. 7 STARTER

ARRANQUE



69D0100-1070

REF. NO.	PART NO. CODIGO NO.	DESCRIPTION DESCRIPTION	MHD	WHD	WD	REMARKS OBSERVACION
26	97013-08012	BOLT PERNO	3	3	3	
27	92903-08100	WASHER, SPRING ARANDELA	3	3	3	
28	92903-08600	WASHER, PLATE ARANDELA	3	3	3	
29	90119-08M28	BOLT, WITH WASHER TORNILLO CON ARANDELA	2	2	2	
30	90119-08M32	BOLT, WITH WASHER TORNILLO CON ARANDELA	1	1	1	
31	90385-12M04	BUSH BUJE	6	6	6	
32	90387-08M05	COLLAR COLLAR	3	3	3	
33	6K5-15771-00-94	STAY 1 SOPORTE 1	1	1	1	
34	97013-06025	BOLT PERNO	2	2	2	
35	92903-06600	WASHER, PLATE ARANDELA	2	2	2	
36	6K5-15772-00-94	STAY 2 SOPORTE 2	1	1	1	
37	97013-06055	BOLT PERNO	2	2	2	
38	92903-06600	WASHER, PLATE ARANDELA	2	2	2	
39	6K5-15773-01	STAY 3 SOPORTE 3	1	1	1	
40	6K5-15758-01-94	GUIDE, ROPE GUIA DE CUERDA	1	1	1	
41	6A0-82317-00	DAMPER, IGNITION COIL AMORTIGUADOR BOBINA ENCENDIDO	4	4	4	
42	624-42542-00	PIPE TUBO	4	4	4	
43	90119-06M65	BOLT, WITH WASHER TORNILLO CON ARANDELA	4	4	4	
44	6K5-15762-00	SEAL, RUBBER 2 SELLO DE GOMA 2	1	1	1	
45	697-15789-00	DAMPER AMORTIGUADOR	1	1	1	
46	6K5-15723-00	PULLEY, STARTER POLEA DE ARRANQUE	1	1	1	
47	6K5-15770-01	CABLE COMP., STARTER STOP CABLECOMPL DE SEGURO ARRANQUE	1	1	1	
48	97095-06012	BOLT PERNO	2	2	2	
49	92995-06600	WASHER ARANDELA	2	2	2	
50	663-15735-01	GUIDE, CAM GUIA DE LEVA	1	1	1	
51	90506-08M23	SPRING, TENSION RESORTE DE TENSION	1	1	1	
52	663-15794-00	STOPPER TOPE	1	1	1	



69D0100-1070

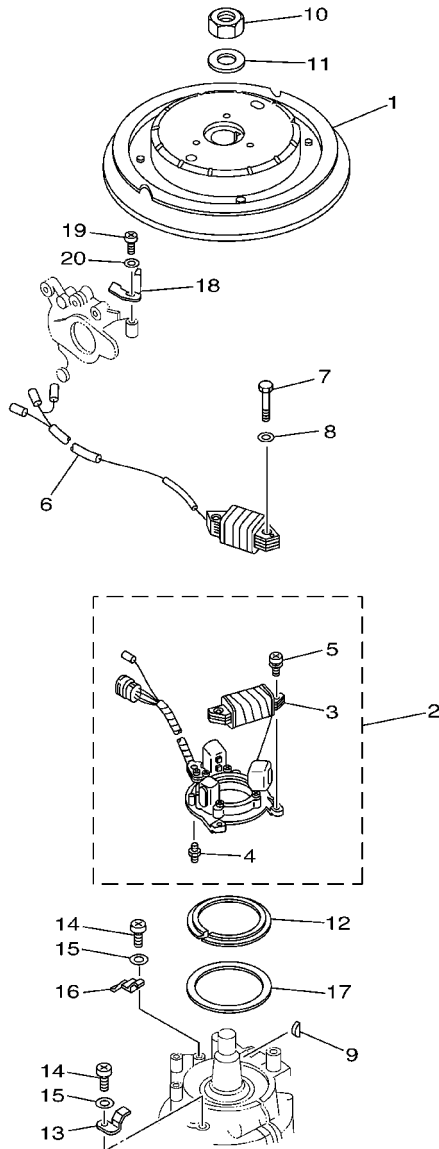
FIG. 7 STARTER

ARRANQUE

REF. NO.	PART NO. CODIGO NO.	DESCRIPTION DESCRIPTION	MHD	WHD	WD	REMARKS OBSERVACION
53	90508-12015	SPRING, TORSION RESORTE DE TORSION	1	1	1	
54	90149-05095	SCREW TORNILLO DE REGLAJE	1	1	1	
55	663-15736-00	RING, RETAINING 1 ANILLO DE RETEN	1	1	1	
56	90468-18008	CLIP PRESILLA	1	1	1	
57	92903-06200	WASHER, PLAIN ARANDELA	2	2	2	
58	91490-16012	PIN, COTTER PASADOR DE CHAVETA	1	1	1	
59	6K5-15774-00	STAY 4 SOPORTE 4	1	1	1	
60	97013-06012	BOLT PERNO	1	1	1	
61	90465-06M90	CLAMP BRIDA	1	1	1	

FIG. 8 GENERATOR

GENERADOR

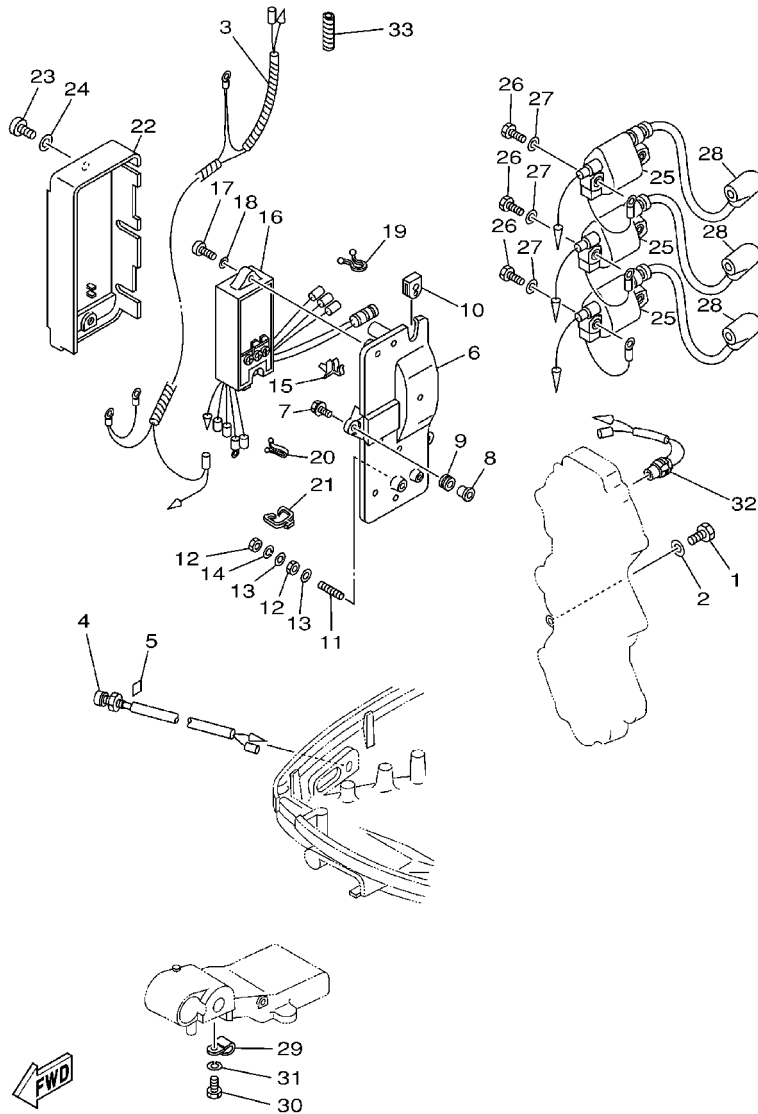


69D0300-1080

REF. NO.	PART NO. CODIGO NO.	DESCRIPTION DESCRIPTION	MHD	WHD	WD	REMARKS OBSERVACION
1	6K5-85550-10	ROTOR ASSY ROTOR COMPLETO	1			
	6K5-85550-A0	ROTOR ASSY ROTOR COMPLETO		1	1	
2	6H3-85510-A1	STATOR ASSY ESTATOR COMPLET	1	1	1	
3	6H3-85520-00	.COIL, CHARGE .BOBINA DE CARGA	1	1	1	
4	663-85518-00	.JOINT, BALL .CONECTOR	1	1	1	
5	97902-05125	.SCREW, WITH WASHER .TORNILLO, CON ARANDELA	2	2	2	
6	6H3-85533-A0	COIL, LIGHTING BOBINA DE LUZ	1	1	1	
7	97013-06030	BOLT PERNO	2	2	2	
8	92903-06600	WASHER, PLATE ARANDELA	2	2	2	
9	90280-05015	KEY, WOODRUFF CUNA WOODRUFF	1	1	1	
10	90170-20137	NUT TUERCA	1	1	1	
11	90201-21M18	WASHER, PLATE ARANDELA PLANA	1	1	1	
12	6H4-41611-00	RETAINER, MAGNETO BASE RETENEDOR BASE MAGNETO	1	1	1	
13	6H3-41612-00	RETAINER, MAGNETO BASE RETENEDOR BASE MAGNETO	2	2	2	
14	97885-06012	SCREW, PAN HEAD TORNILLO DE CABEZA CON PLANA	3	3	3	
15	92995-06600	WASHER ARANDELA	3	3	3	
16	6H3-41612-10	RETAINER, MAGNETO BASE RETENEDOR BASE MAGNETO	1	1	1	
17	6K5-41618-00	WASHER, MAGNETO RONDANA, MAGNETO	1	1	1	
18	6K5-81332-60	PLATE, TIMING PLACA REGULADOR DE TIEMPO	1			
	6K5-81332-00	PLATE, TIMING PLACA REGULADOR DE TIEMPO		1	1	
19	97885-06010	SCREW, PAN HEAD TORNILLO DE CABEZA CON PLANA	1	1	1	
20	92995-06600	WASHER ARANDELA	1	1	1	

FIG. 9 ELECTRICAL 1

EQUIPO ELECTRICO 1

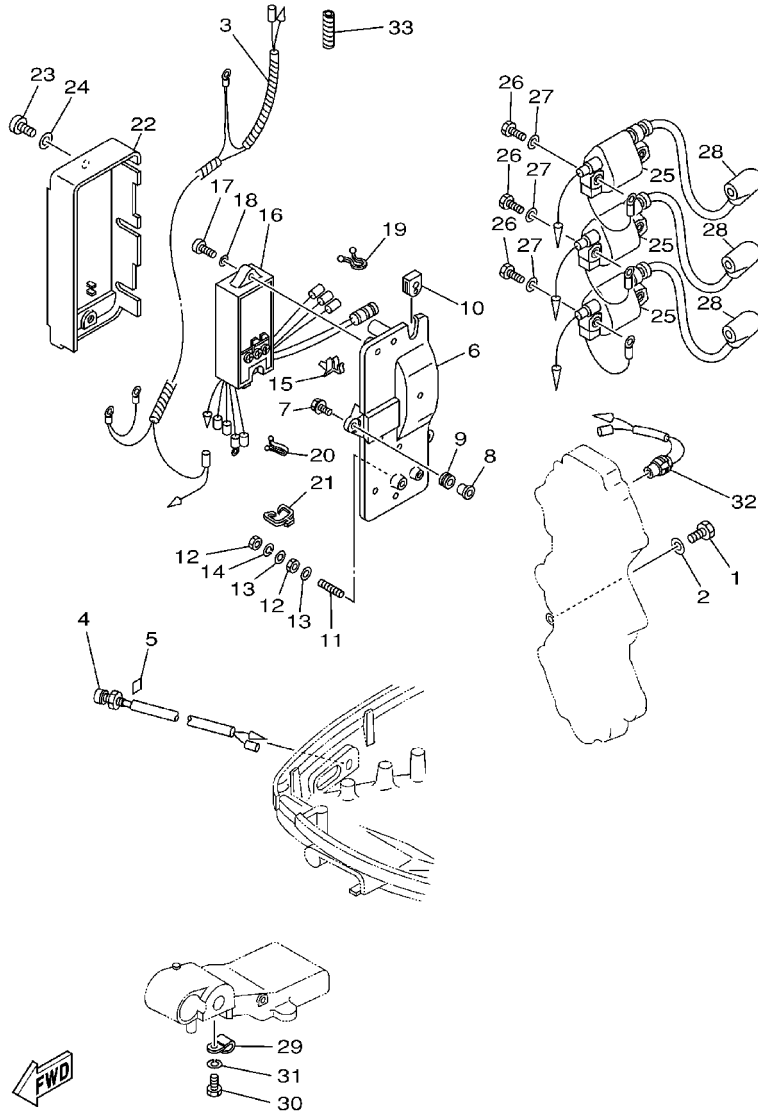


6K50100-0100

REF. NO.	PART NO. CODIGO NO.	DESCRIPTION DESCRIPTION	MHD	WHD	WD	REMARKS OBSERVACION
1	97013-06012	BOLT PERNO	1	1		
2	92903-06600	WASHER, PLATE ARANDELA	1	1		
3	6K5-82531-00	WIRE, LEAD CABLE CONDUCTOR	1			
4	6H4-85411-00	OVERHEAT WARNING LAMP CALENTAR DEMASIADO DEL ALARMA	1	1		
5	6H4-85415-00	MARK, SIGNAL LAMP MARCO DE FOCO DE SENAL	1	1		
6	6H3-85542-00-94	BRACKET SOPORTE	1	1	1	
7	90105-06M14	BOLT FLANGE TORNILLO	3	3	3	
8	90387-06M43	COLLAR COLLAR	3	3	3	
9	90480-13M24	GROMMET TAPON	3	3	3	
10	6H3-81922-00	GROMMET TAPON PROTECTOR	1	1	1	
11	90116-06M07	BOLT, STUD ESPARRAGO	1	1	1	
12	95380-06700	NUT TUERCA	2	2	2	
13	92990-06200	WASHER, PLAIN ARANDELA	2	2	2	
14	92990-06100	WASHER, SPRING ARANDELA	1	1	1	
15	90464-04M12	CLAMP BRIDA	1	1	1	
16	6H3-85540-11	C.D.I. UNIT ASSY UNIDAD C.D.I. COMPLETA	1	1	1	
17	97880-06025	SCREW, PAN HEAD TORNILLO DE CABEZA CON PLANA	2	2	2	
18	92990-06600	WASHER, PLATE ARANDELA	2	2	2	
19	90464-08M07	CLAMP BRIDA	1	1	1	
20	90464-12M17	CLAMP BRIDA	1	1	1	
21	90464-07M10	CLAMP BRIDA	1	1	1	
22	6H3-81916-00	COVER, TERMINAL CUBIERTA DE TERMINAL	1	1	1	
23	97885-06012	SCREW, PAN HEAD TORNILLO DE CABEZA CON PLANA	2	2	2	
24	92995-06600	WASHER ARANDELA	2	2	2	
25	6H3-85570-10	IGNITION COIL ASSY BOBINA DE IGNICION COMPLETO	3	3	3	
26	97013-06025	BOLT PERNO	6	6	6	
27	92903-06600	WASHER, PLATE ARANDELA	6	6	6	

FIG. 9 ELECTRICAL 1

EQUIPO ELECTRICO 1



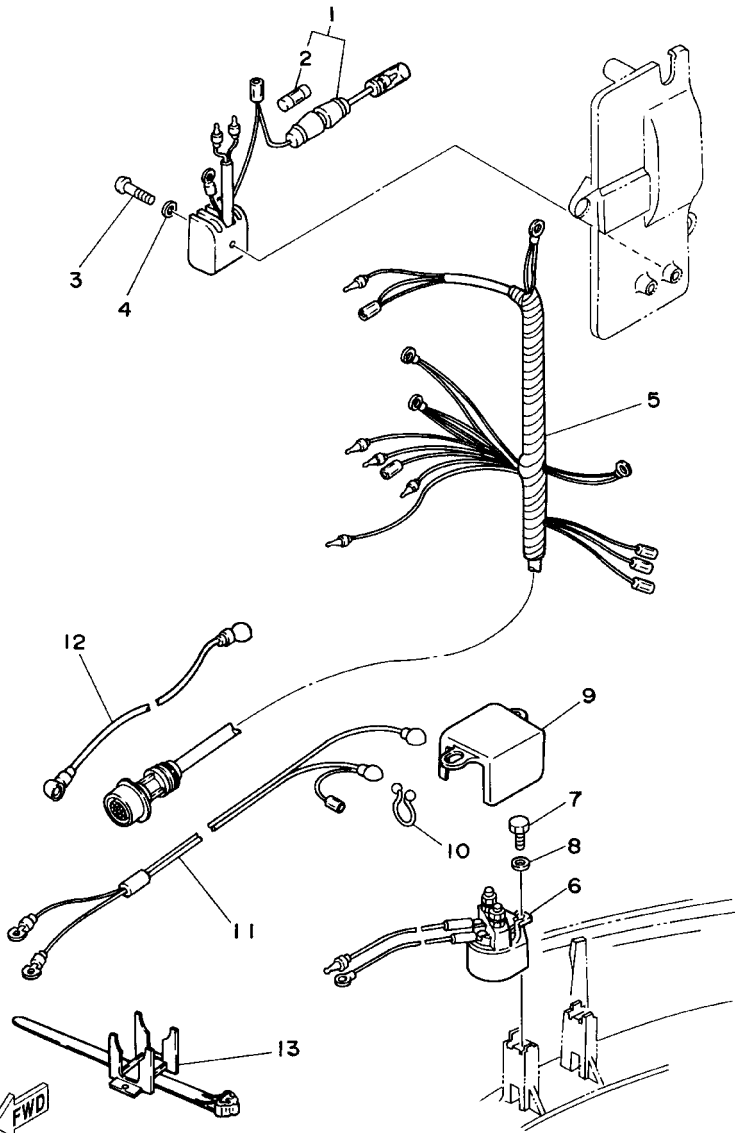
6K50100-0100

REF. NO.	PART NO. CODIGO NO.	DESCRIPTION DESCRIPTION	MHD	WHD	WD	REMARKS OBSERVACION
28	663-82370-01	PLUG CAP ASSY TAPON DE BUJIA COMPLT	3	3	3	FOR CARIB
	6G1-82370-21	PLUG CAP ASSY TAPON DE BUJIA COMPLT	3			
29	90465-06M90	CLAMP BRIDA	1			
30	97013-06012	BOLT PERNO	1			
31	92903-06100	WASHER, SPRING ARANDELA	1			
32	688-82560-10	THERMO SWITCH ASSY INTER. DE TERMO	1	1	1	
33	90446-10M02	HOSE TUBO RESEIRADERO	1	1	1	

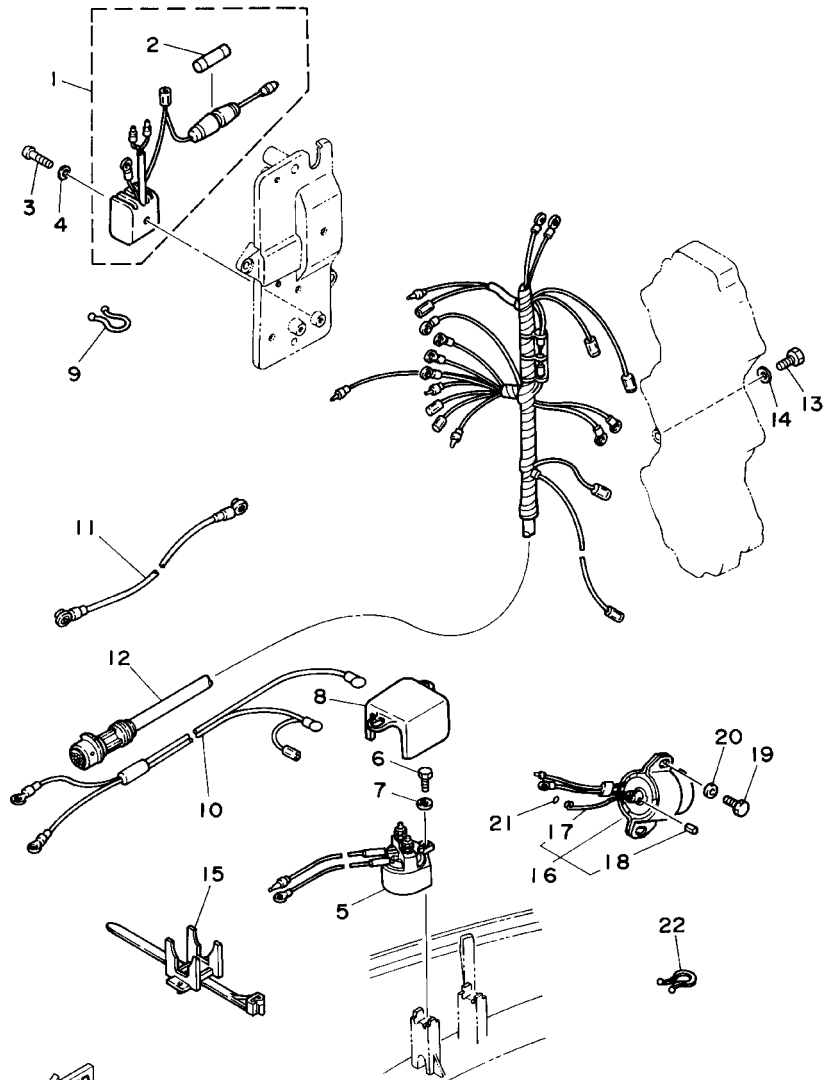
FIG. 10 ELECTRICAL 2

EQUIPO ELECTRICO 2

REF. NO.	PART NO. CODIGO NO.	DESCRIPTION DESCRIPTION	MHD	WHD	WD	REMARKS OBSERVACION
1	6G1-81970-61	RECTIFIER ASSY RECTIFICADOR COMPLETO		1		
2	6G1-82151-00	.FUSE .FUSIBLE		1		
3	97880-05025	SCREW, PAN HEAD TORNILLO DE CABEZA CON PLANA		1		
4	92990-05600	WASHER, PLATE ARANDELA		1		
5	6K5-82590-00	WIRE HARNESS ASSY CONJUNTO DE CABLES		1		
6	688-81950-10	RELAY ASSY RELE COMPLETO		1		
7	97013-06016	BOLT PERNO		1		
8	92903-06600	WASHER, PLATE ARANDELA		1		
9	6H3-82164-00	CASE 2 BUJE		1		
10	90464-15M11	CLAMP BRIDA		1		
11	6H3-82105-01	WIRE HARNESS ARNES DE CABLES		1		
12	6H3-82117-00	WIRE, LEAD CABLE CONDUCTOR		1		
13	688-82594-00	CLAMP GRAMPA		1		



6K50100-4110



6K50200-4110

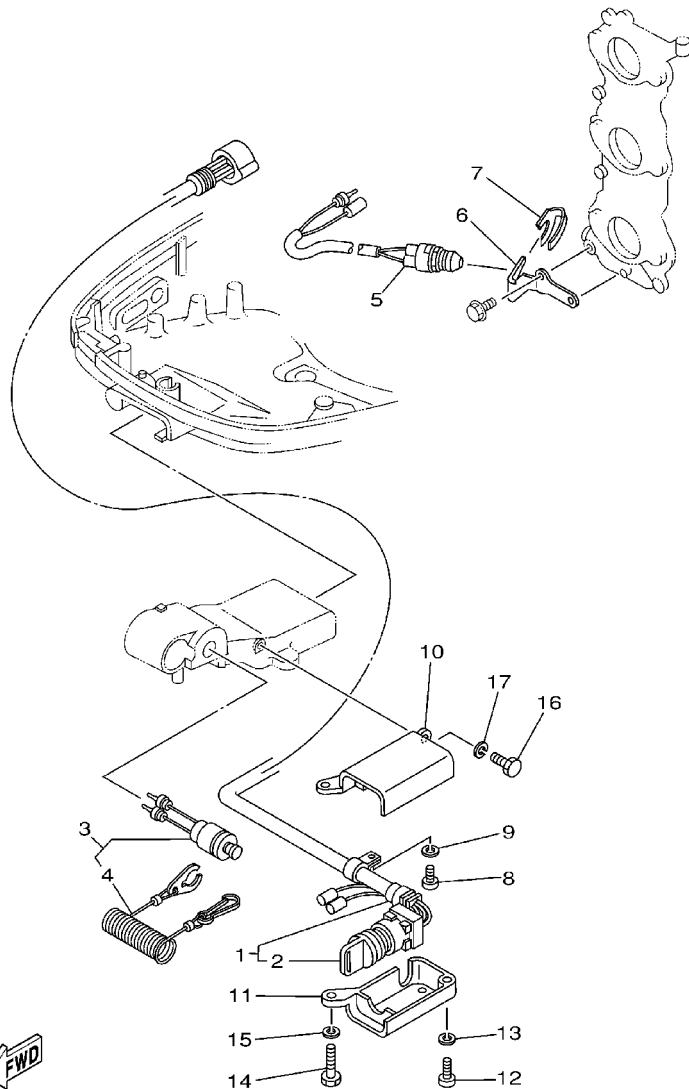
FIG. 11 ELECTRICAL 3

EQUIPO ELECTRICO 3

REF. NO.	PART NO. CODIGO NO.	DESCRIPTION DESCRIPTION	MHD	WHD	WD	REMARKS OBSERVACION
1	6G1-81970-61	RECTIFIER ASSY RECTIFICADOR COMPLETO			1	
2	6G1-82151-00	.FUSE .FUSIBLE			1	
3	97880-05025	SCREW, PAN HEAD TORNILLO DE CABEZA CON PLANA			1	
4	92990-05600	WASHER, PLATE ARANDELA			1	
5	688-81950-10	RELAY ASSY RELE COMPLETO			1	
6	97013-06016	BOLT PERNO			1	
7	92903-06600	WASHER, PLATE ARANDELA			1	
8	6H3-82164-00	CASE 2 BUJE			1	
9	90464-15M11	CLAMP BRIDA			1	
10	6H3-82105-01	WIRE HARNESS ARNES DE CABLES			1	
11	6H3-82117-00	WIRE, LEAD CABLE CONDUCTOR			1	
12	6H3-82590-01	WIRE HARNESS ASSY CONJUNTO DE CABLES			1	
13	97013-06012	BOLT PERNO			1	
14	92903-06600	WASHER, PLATE ARANDELA			1	
15	688-82594-00	CLAMP GRAMPA			1	
16	6H3-86110-02	SOLENOID SOLENOIDE			1	
17	6H3-86116-00	.WIRE, PULL .ALAMBRE-JALADOR			1	
18	91690-30010	.PIN, SPRING .PASADOR DE RESORTE			1	
19	97013-06016	BOLT PERNO			2	
20	92903-06600	WASHER, PLATE ARANDELA			2	
21	93210-03261	O-RING ANILLO O			1	
22	90465-18147	CLAMP BRIDA			1	

FIG. 12 ELECTRICAL 4

EQUIPO ELECTRICO 4

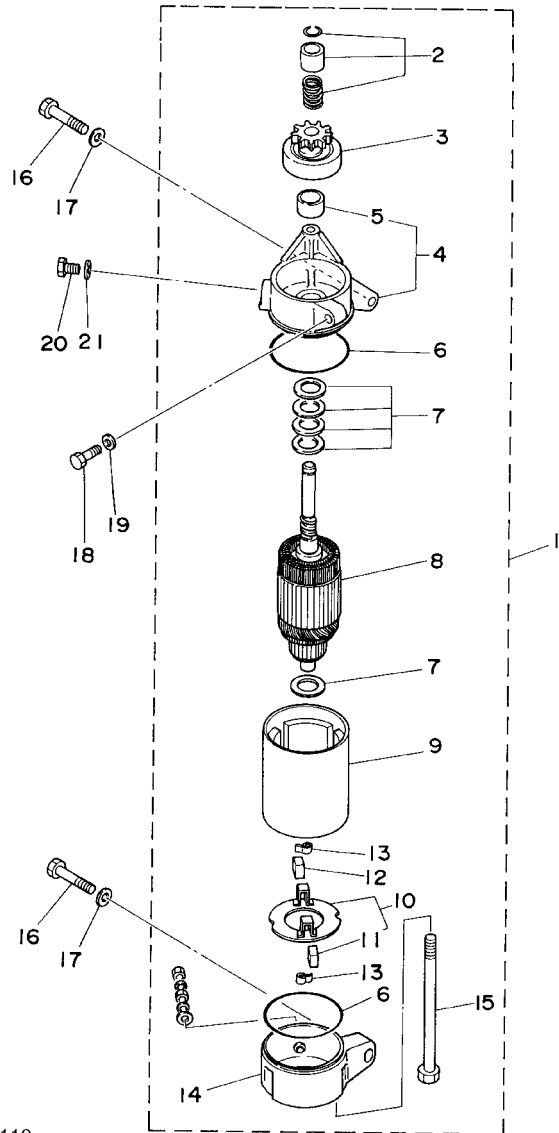


69D1100-2110

REF. NO.	PART NO. CODIGO NO.	DESCRIPTION DESCRIPTION	MHD	WHD	WD	REMARKS OBSERVACION
1	6H3-82510-02	MAIN SWITCH ASSY CONJUNTO DE LLAVE IGNICION		1		
2	676-82577-00	.CAP, KEY .TAPA		1		
3	688-82575-01	ENGINE STOP SWITCH ASSY INTERRUPTOR DE PARADA COMPL		1		
4	682-82556-00	.STOPPER .RETENER		1		
5	6H3-82540-00	NEUTRAL SWITCH ASSY INTERRUPTOR NEUTRAL COMPL		1		
6	6H3-82554-00	STAY, NEUTRAL SWITCH SOPORTE INTERRUPTOR DE NEUTRAL		1		
7	663-82555-01	DAMPER, MAIN SWITCH 1 AMORT.DE INTER.PPAL.1		1		
8	97885-06012	SCREW, PAN HEAD TORNILLO DE CABEZA CON PLANA		1		
9	92995-06100	WASHER, SPRING ARANDELA		1		
10	697-8252E-01-4D	COVER, MAIN SWITCH CUBIELA INTERRUPTOR PRINC.1		1		
11	697-8252F-01-4D	COVER, MAIN SWITCH CUBIELA INTERRUPTOR PRINC.2		1		
12	97880-06025	SCREW, PAN HEAD TORNILLO DE CABEZA CON PLANA		1		
13	92990-06100	WASHER, SPRING ARANDELA		1		
14	97013-06030	BOLT PERNO		1		
15	92903-06100	WASHER, SPRING ARANDELA		1		
16	97013-06020	BOLT PERNO		1		
17	92903-06100	WASHER, SPRING ARANDELA		1		

FIG. 13 STARTING MOTOR

MOTOR DE ARRANQUE

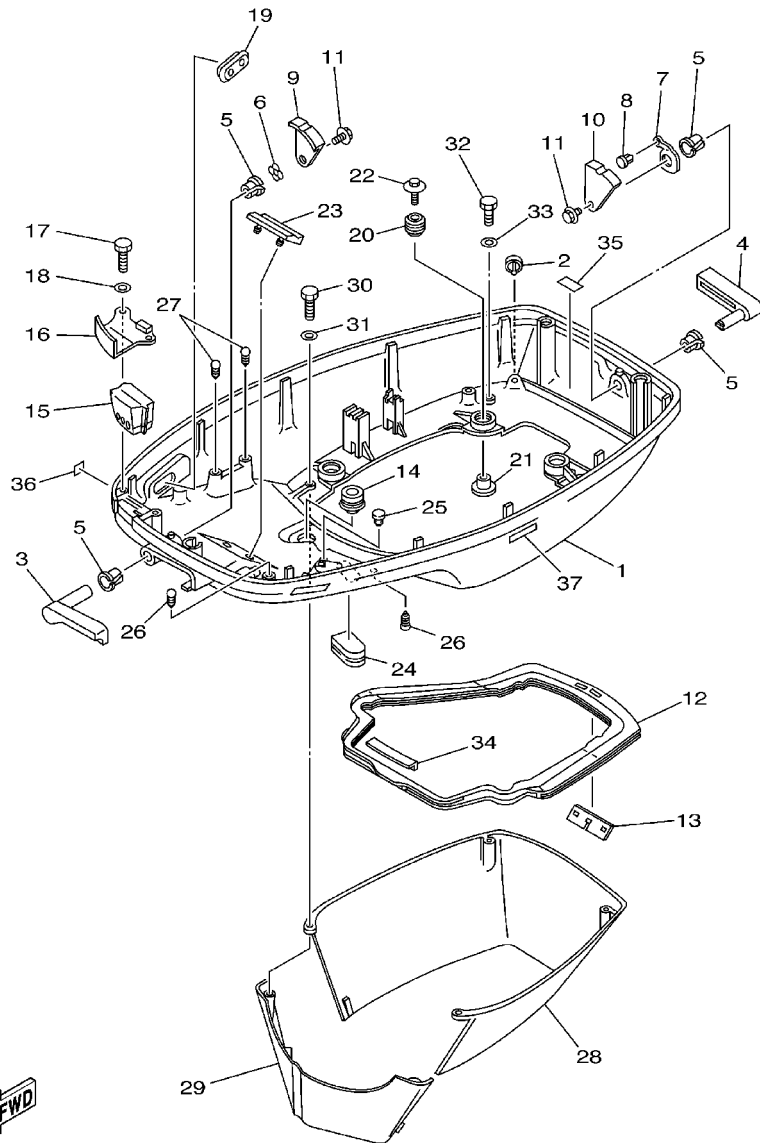


6H30010-4110

REF. NO.	PART NO. CODIGO NO.	DESCRIPTION DESCRIPTION	MHD	WHD	WD	REMARKS OBSERVACION
1	6H3-81800-11	STARTING MOTOR ASSY MOTOR DE ARRANQUE COMPLETO		1		
2	689-81857-11	.PINION STOPPER SET .JUEGO TAPON PINON		1		
3	6H3-81807-10	.GEAR ASSY, STARTING MOTOR .PINON CONJUNTO		1		
4	6H3-81830-10	.FRONT BRACKET ASSY .SOPORTE DELANTERO COMPLETO		1		
5	689-81831-00	..METAL, FRONT ..METAL, DELANTERO		1		
6	689-81847-11	.O-RING .ANILLO GOMA		2		
7	689-81809-11	.WASHER KIT .JUEGO DE ARANDELA		1		
8	689-81850-12	.ARMATURE ASSY .INDUCIDO COMPLETO		1		
9	6H3-81810-10	.STATOR ASSY .ESTATOR COMPLETO		1		
10	689-81840-11	.BRUSH HOLDER ASSY .SOSTEN DE ESCOBILLA COMPLETO		1		
11	689-81812-11	..BRUSH 2 ..ESCOBILLA 2		1		
12	689-81811-11	.BRUSH 1 .ESCOBILLA 1		1		
13	689-81813-10	.SPRING, BRUSH .RESORTE DE ESCOBILLA		2		
14	6H3-81820-11	.REAR BRACKET ASSY .CUBIERTA TRASERA COMPL		1		
15	689-81826-10	.BOLT .PERNO		2		
16	97013-08035	.BOLT .PERNO		2		
17	92903-08600	.WASHER, PLATE .ARANDELA		2		
18	97013-06025	.BOLT .PERNO		1		
19	92903-06600	.WASHER, PLATE .ARANDELA		1		
20	97013-08016	.BOLT .PERNO		1		
21	92903-08600	.WASHER, PLATE .ARANDELA		1		

FIG. 14 BOTTOM COWLING

CUBIERTA INFERIOR

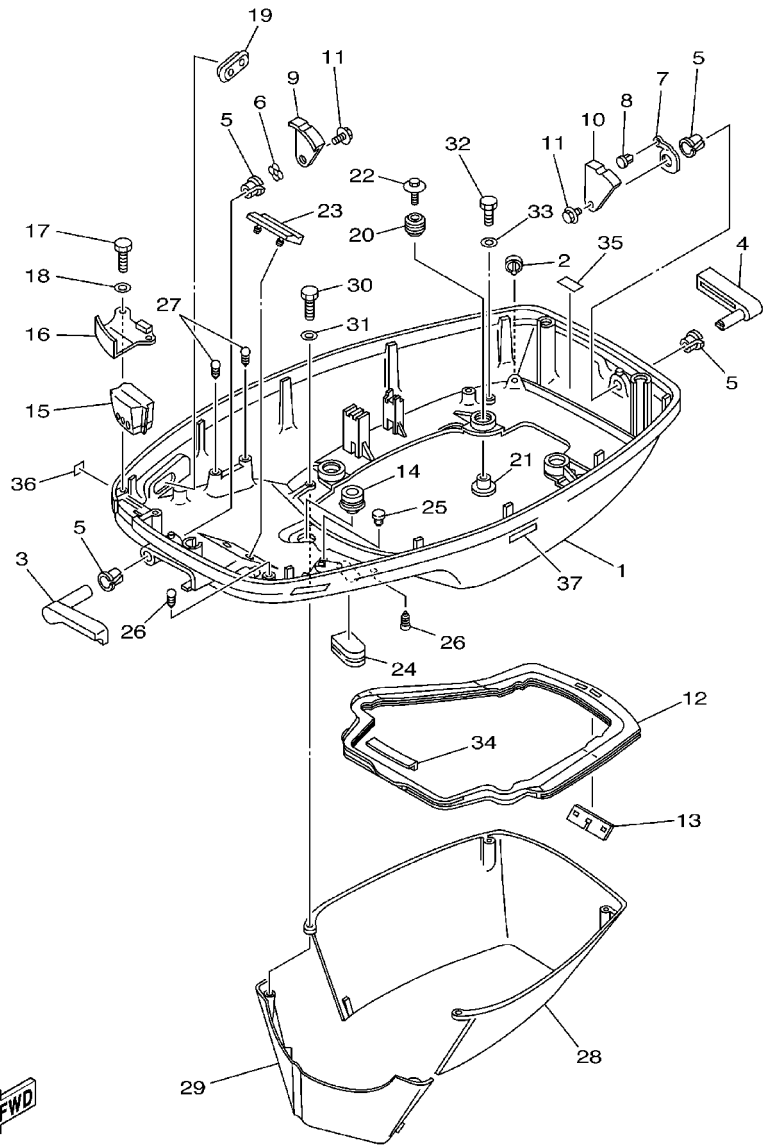


69D1300-2100

REF. NO.	PART NO. CODIGO NO.	DESCRIPTION DESCRIPTION	MHD	WHD	WD	REMARKS OBSERVACION
1	6H3-42711-14-4D	COWLING, BOTTOM CUBIERTA INFERIOR	1	1		
	6H3-42711-05-4D	COWLING, BOTTOM CUBIERTA INFERIOR			1	
2	69D-44391-00	NIPPLE, HOSE NIPLE MANGUERA	1	1	1	
3	6H3-42815-01-4D	LEVER, CLAMP PALANCA ABRAZADERA	1	1	1	
4	6H3-42817-01-4D	LEVER, CLAMP PALANCA ABRAZADERA	1	1	1	
5	90386-13M38	BUSH BUJE	4	4	4	
6	90206-13M10	WASHER, WAVE ARANDELA ONDULADA	1	1	1	
7	6H3-42813-00	SPRING, CLAMP LEVER RESORTE	1	1	1	
8	90269-04M03	RIVET REMACHE	1	1	1	
9	6H3-42816-00	LEVER, CLAMP PALANCA ABRAZADERA	1	1	1	
10	6H3-42818-00	LEVER, CLAMP PALANCA ABRAZADERA	1	1	1	
11	90119-06M09	BOLT, WITH WASHER TORNILLO CON ARANDELA	2	2	2	
12	6H3-42716-02	RUBBER, SEAL 1 SELLO DE GOMA 1	1	1	1	
13	6K5-42717-00	RUBBER, SEAL 2 GOMA	1	1	1	
14	6E5-42724-00	GROMMET TAPON	1	1	1	
15	6K5-42725-00	GROMMET TAPON	1			
	6H3-42725-20	GROMMET TAPON		1		
	6H3-42725-00	GROMMET TAPON			1	
16	6H3-42738-01-5B	PLATE, FITTING PLACA DE AJUSTE	1	1	1	
17	97095-06016	BOLT PERNO	2	2	2	
18	92995-06600	WASHER ARANDELA	2	2	2	
19	6H3-42727-00	GROMMET TAPON	1	1	1	
20	90480-09M12	GROMMET TAPON	4	4	4	
21	90387-06M69	COLLAR COLLAR	4	4	4	
22	90119-06M61	BOLT, WITH WASHER TORNILLO CON ARANDELA	4	4	4	
23	6H3-42768-00	DAMPÉR AMORTIGUADOR	1	1	1	
24	6H4-42726-00	GROMMET TAPON	1	1	1	

FIG. 14 BOTTOM COWLING

CUBIERTA INFERIOR

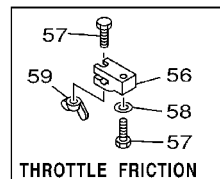
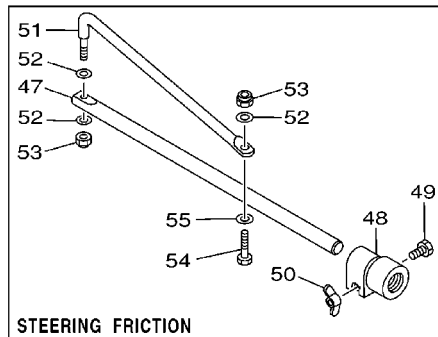
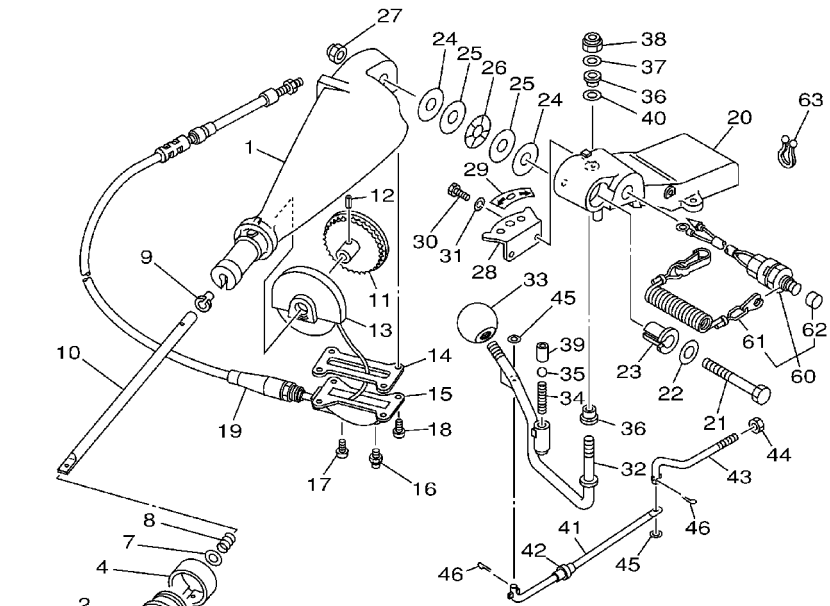


69D1300-2100

REF. NO.	PART NO. CODIGO NO.	DESCRIPTION DESCRIPTION	MHD	WHD	WD	REMARKS OBSERVACION
25	703-82119-00	COVER, LEAD WIRE CUBIERTA DE CABLE CONDUCTOR	2	2	2	
26	90338-05M03	PLUG TAPON	2	2	2	
27	90338-05M03	PLUG TAPON	2		2	
28	6H3-42741-01-4D	APRON MANDIL	1	1	1	
29	6H3-42771-01-4D	APRON MANDIL	1	1	1	
30	97095-06025	BOLT PERNO	2	2	2	
31	92995-06600	WASHER ARANDELA	2	2	2	
32	97095-06020	BOLT PERNO	2	2	2	
33	92995-06600	WASHER ARANDELA	2	2	2	
34	6H3-42718-00	RUBBER, SEAL 3 GOMA	1	1	1	
35	6G5-42791-00	MARK 1 MARCA 1	1	1	1	
	6G5-42791-10	MARK 1 MARCA 1	1	1	1	FOR CARIB, CHINA
36	6A1-28176-00	LABEL, CAUTION ETIQUETA DE PRECAUCION	1			FOR CARIB
37	6E3-8257H-00	PLATE, MARK PLACA DE MARCA	1			FOR CARIB

FIG. 15 STEERING

DIRECCION

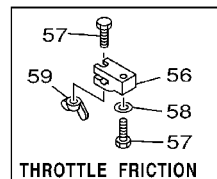
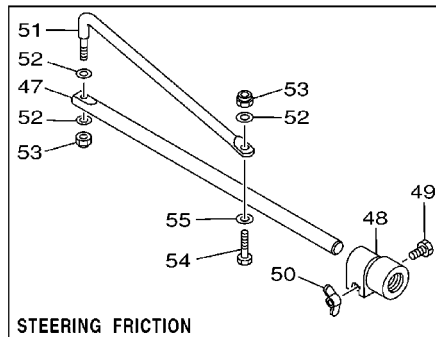
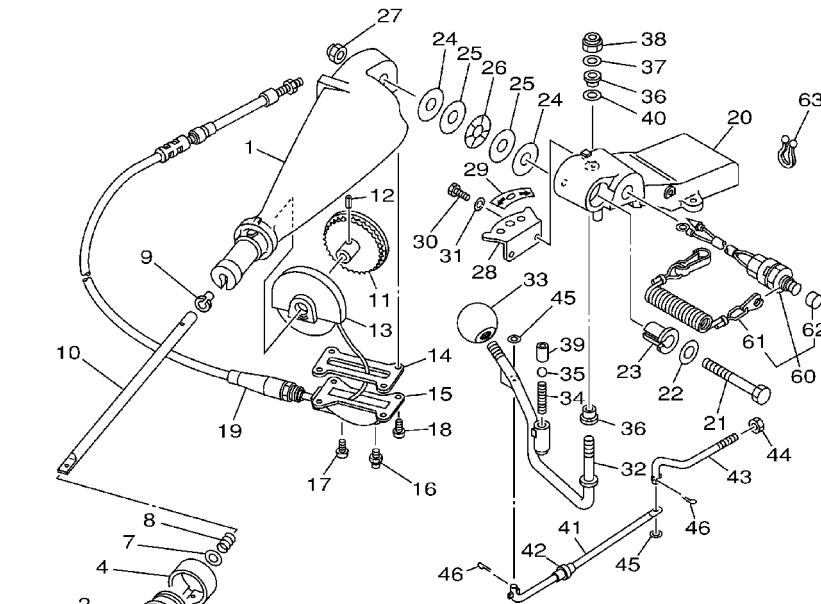


69D0100-1140

REF. NO.	PART NO. CODIGO NO.	DESCRIPTION DESCRIPTION	MHD	WHD	WD	REMARKS OBSERVACION
1	663-42111-02-4D	HANDLE, STEERING MANIJA DE DIRECCION	1	1		
	692-42111-21-4D	HANDLE, STEERING MANIJA DE DIRECCION	1	1		PULL TO OPEN TYPE
2	664-42119-00	GRIP, STEERING HANDLE MANGO, MANIJA DE DIRRECCION	1	1		
3	6F6-42177-A0	RUBBER, HANDLE HULE DE MANIJA	1	1		
4	6K5-42137-00	INDICATOR, THROTTLE INDICADOR ACELERADOR	1	1		
5	90269-02M09	RIVET REMACHE	1	1		
6	90149-05M13	SCREW TORNILLO DE REGLAJE	1	1		
7	92903-10600	WASHER, PLATE ARANDELA	1	1		
8	90501-23215	SPRING, COMPRESSION RESORTE DE COMPRESION	1	1		
9	90386-08032	BUSH BUJE	1	1		
10	663-42115-00	SHAFT, STEERING HANDLE EJE MANIJA DE DIRECCION	1	1		
	692-42115-00	SHAFT, STEERING HANDLE EJE MANIJA DE DIRECCION	1	1		PULL TO OPEN TYPE
11	663-42138-00	LEVER, THROTTLE PLANCA DE ACELERACION	1	1		
12	90254-03003	PIN, SPRING PASADOR DE TIPO A RESORTE	1	1		
13	663-42135-01	HOUSING, THROTTLE LEVER CAJA PALANCA ACELERADOR	1	1		
14	663-42133-01	GASKET EMPAQUE	1	1		
15	663-42134-03-94	COVER, THROTTLE LEVER CUBIERTA PALANCA ACELERADOR	1	1		
16	93700-06M03	NIPPLE, GREASE NIPLE DE ENGRASAR	1	1		
17	97885-06008	SCREW, PAN HEAD TORNILLO DE CABEZA CON PLANA	1	1		
18	97885-05012	SCREW, PAN HEAD TORNILLO DE CABEZA CON PLANA	4	4		
19	692-26301-03	THROTTLE CABLE ASSY CABLE DE ACELERADOR COMPLETO	1	1		
20	692-42121-01-4D	BRACKET SOPORTE	1	1		
21	90101-12M06	BOLT TORNILLO	1	1		
22	92990-12200	WASHER, PLAIN ARANDELA	1	1		
23	90386-12089	BUSH BUJE	1	1		
24	90202-12092	WASHER, PLATE ARANDELA DE PLANA	2	2		
25	90201-12537	WASHER, PLATE ARANDELA PLANA	2	2		

FIG. 15 STEERING

DIRECCION



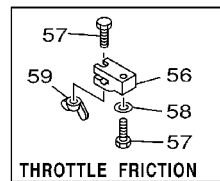
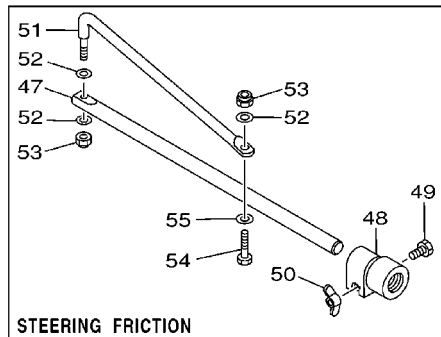
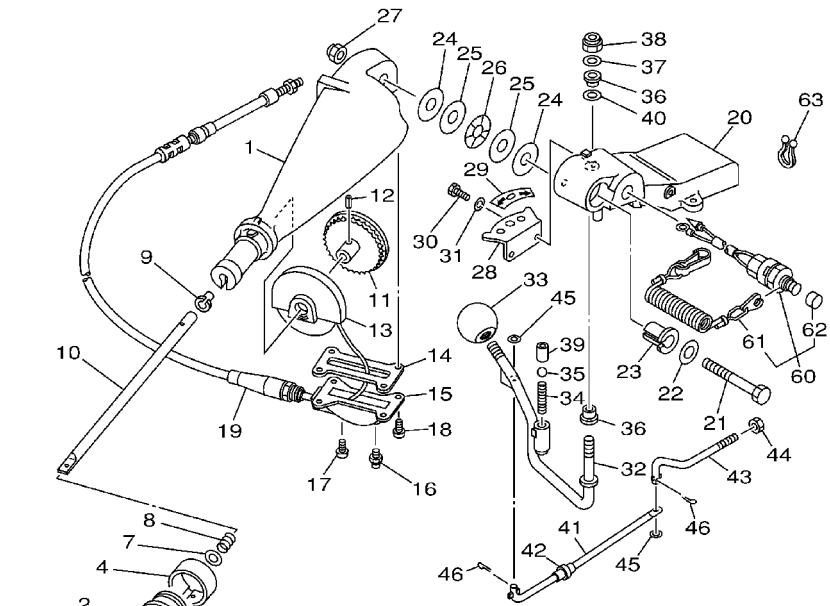
REF. NO.	PART NO. CODIGO NO.	DESCRIPTION DESCRIPTION	MHD	WHD	WD	REMARKS OBSERVACION
26	90206-12054	WASHER, WAVE ARANDELA ONDULADA	1	1		
27	90185-12058	NUT, SELF-LOCKING TUERCA AUTOBLOCANTE	1	1		
28	697-44113-00	CAM PLATE, HANDLE PLACA DE LA LEVA DEL MANGO	1	1		
29	6K5-44191-00	INDICATOR, SHIFT INDICADOR DE CAMBIOS	1	1		
30	97013-06016	BOLT PERNO	2	2		
31	92903-06100	WASHER, SPRING ARANDELA	2	2		
32	692-44159-01	HANDLE, GEAR SHIFT MANIJA DE CAMBIO DE MARCHAS	1	1		
33	663-44173-00	LEVER, SHIFT CONTROL PALANCA CONTROL CAMBIOS	1	1		
34	90501-16M17	SPRING, COMPRESSION RESORTE DE COMPRESION	1	1		
35	93515-32M01	BALL BOLA	1	1		
36	90386-10009	BUSH BUJE	2	2		
37	90201-10120	WASHER, PLATE ARANDELA PLANA	1	1		
38	90185-10051	NUT, SELF-LOCKING TUERCA AUTOBLOCANTE	1	1		
39	90387-12M30	COLLAR COLLAR	1	1		
40	90201-12M34	WASHER, PLATE ARANDELA PLANA	1	1		
41	6H3-42191-01	ROD 1 VARILLA 1	1	1		
42	90386-06088	BUSH BUJE	1	1		
43	6H3-42192-00	ROD 2 VARILLA 2	1	1		
44	700-48339-00	NUT, CABLE END TUERCA TERMINAL	1	1		
45	92990-06600	WASHER, PLATE ARANDELA	2	2		
46	91490-25012	PIN, COTTER PASADOR DE CHAVETA	2	2		
47	663-42518-00	SHAFT, FRICTION EJE FRICCION	1	1		
48	67G-42528-00	PLATE, FRICTION PIEZA DE FRICCION	1	1		
49	97080-06035	BOLT PERNO	1	1		
50	90175-06003	NUT, WING TUERCA MARIPOSA	1	1		
51	69D-42515-00	ROD, STEERING LINK VARILLA ESLABON DIRECCION	1	1		
52	92990-08600	WASHER, PLATE ARANDELA	3	3		



69D0100-1140

FIG. 15 STEERING

DIRECCION



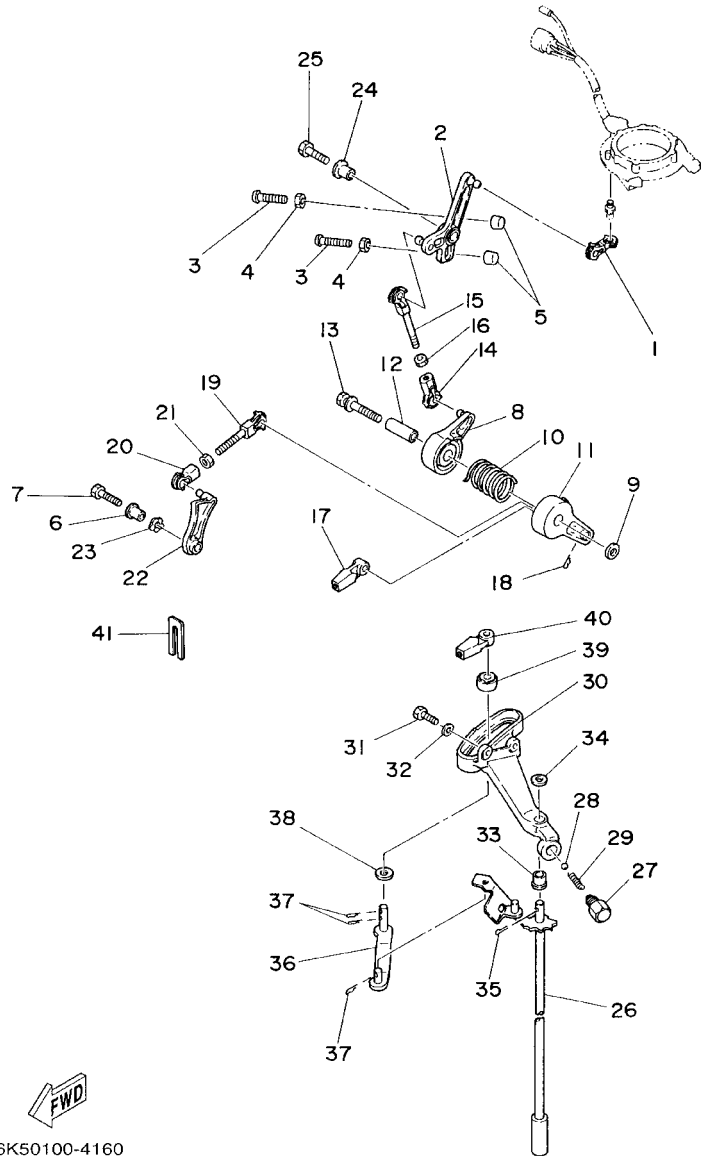
REF. NO.	PART NO. CODIGO NO.	DESCRIPTION DESCRIPTION	MHD	WHD	WD	REMARKS OBSERVACION
53	90185-08057	NUT, SELF-LOCKING TUERCA AUTOBLOCANTE	2	2		
54	97095-08030	BOLT PERNO	1	1		
55	92995-08600	WASHER ARANDELA	1	1		
56	663-42126-01	FRICTION, STEERING HANDLE GRIP FRICCION DE MANGO DIRECCION	1	1		
57	90101-06M27	BOLT TORNILLO	2	2		
58	92990-06600	WASHER, PLATE ARANDELA	1	1		
59	90175-06003	NUT, WING TUERCA MARIPOSA	1	1		
60	6K5-82575-03	ENGINE STOP SWITCH ASSY INTERRUPTOR DE PARADA COMPL	1			
61	682-82556-00	.STOPPER .RETENER	1			
62	689-8257Y-00	.CAP .CASQUILLO	1			
63	90464-08M07	CLAMP BRIDA	2			



69D0100-1140

FIG. 16 CONTROL

CONTROL

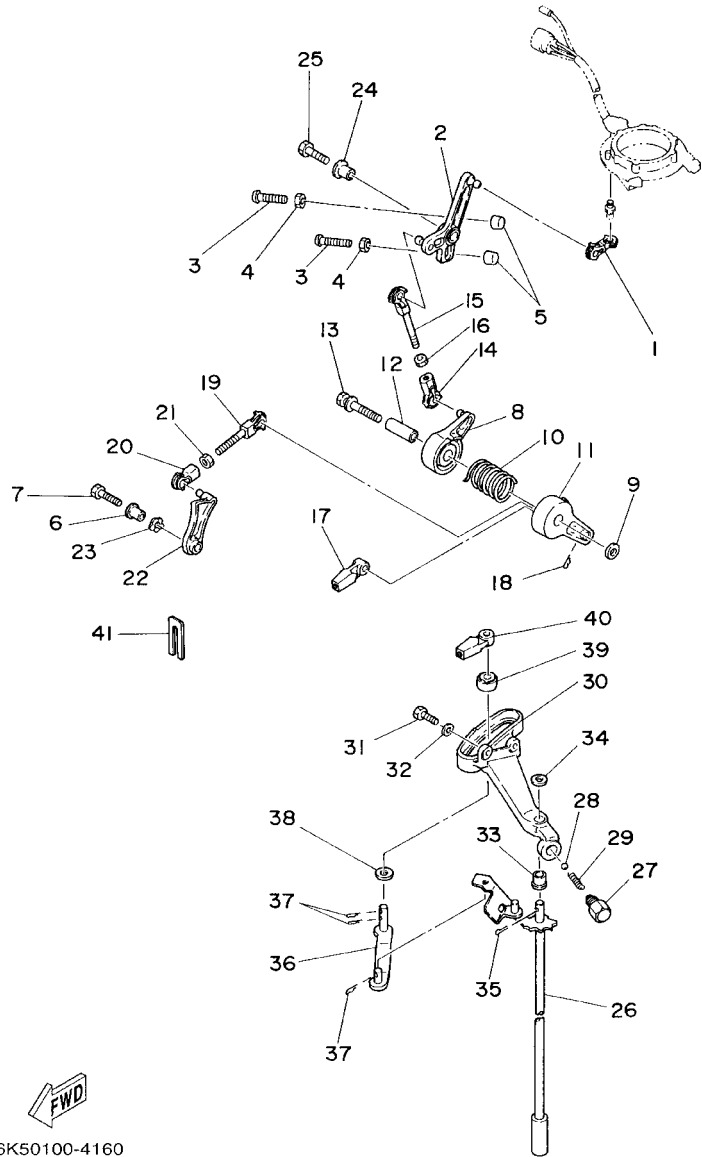


REF. NO.	PART NO. CODIGO NO.	DESCRIPTION DESCRIPTION	MHD	WHD	WD	REMARKS OBSERVACION
1	6H3-41238-00	JOINT, LINK CONECTOR	1	1	1	
2	6H3-41631-00	LEVER, MAGNETO CONTROL PALANCA DE CONTROL DE MAGNETO	1	1	1	
3	90157-06M13	SCREW, PAN HEAD TORNILLO CABEZA CONICA PLANA	2	2	2	
4	95380-06600	NUT, HEXAGON TUERCA	2	2	2	
5	688-44194-00	CAP TAPA	2	2	2	
6	90387-06M60	COLLAR COLLAR	1	1	1	
7	97095-06025	BOLT PERNO	1	1	1	
8	6H3-41632-00	LEVER, MAGNETO CONTROL PALANCA DE CONTROL DE MAGNETO	1	1	1	
9	90201-06M31	WASHER, PLATE ARANDELA PLANA	1	1	1	
10	90508-29M19	SPRING, TORSION RESORTE DE TORSION	1	1	1	
11	6H3-41633-00	LEVER, MAGNETO CONTROL PALANCA DE CONTROL DE MAGNETO	1	1	1	
12	90387-06M59	COLLAR COLLAR	1	1	1	
13	90119-06M91	BOLT, WITH WASHER TORNILLO CON ARANDELA	1	1	1	
14	662-41237-01	JOINT, LINK CONECTOR	1	1	1	
15	679-41636-00	ROD, MAGNETO CONTROL VARILLA DE CONTROL MAGNETO	1	1	1	
16	95380-05600	NUT TUERCA	1	1	1	
17	663-48344-00	CABLE END, REMOTE CONTROL BASE CONTROL	1	1	1	
18	90468-18008	CLIP PRESILLA	1	1	1	
19	682-41237-50	JOINT, LINK CONECTOR	1	1	1	
20	662-41237-01	JOINT, LINK CONECTOR	1	1	1	
21	95380-05600	NUT TUERCA	1	1	1	
22	6H3-41213-01	CAM, ACCEL. LEVA ACELERADOR	1	1	1	
23	90206-10M04	WASHER, WAVE ARANDELA ONDULADA	1	1	1	
24	90387-06M60	COLLAR COLLAR	1	1	1	
25	97095-06025	BOLT PERNO	1	1	1	
26	6K5-44120-01	HANDLE GEAR SHIFT ASSY MANIJA DE CAMBIO COMPL	1			S
	6K5-44120-11	HANDLE GEAR SHIFT ASSY MANIJA DE CAMBIO COMPL	1	1	1	L


6K50100-4160

FIG. 16 CONTROL

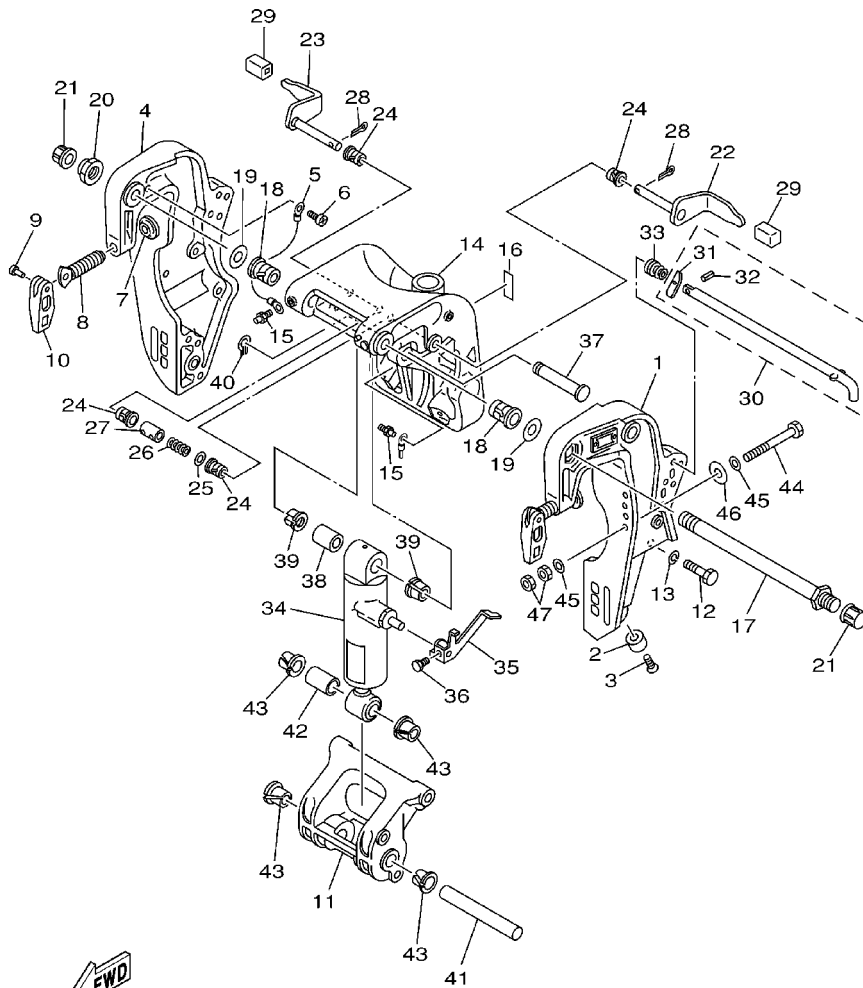
CONTROL



6K50100-4160

REF. NO.	PART NO. CODIGO NO.	DESCRIPTION DESCRIPTION	MHD	WHD	WD	REMARKS OBSERVACION
27	648-42715-00	BUSHING BUJE	1	1	1	
28	93501-04M02	BALL BOLA	1	1	1	
29	90501-12082	SPRING, COMPRESSION RESORTE DE COMPRESION	1	1	1	
30	6H3-44117-00-94	BRACKET SOPORTE	1	1	1	
	6J2-44117-01-94	BRACKET SOPORTE	1	1		FOR OMAN
31	97013-06020	BOLT PERNO	2	2	2	
32	92903-06600	WASHER, PLATE ARANDELA	2	2	2	
33	90386-07M58	BUSH BUJE	1	1	1	
34	92990-08200	WASHER, PLAIN ARANDELA	1	1	1	
35	91490-20012	PIN, COTTER PASADOR DE CHAVETA	1	1	1	
36	6H3-44121-01	LEVER, SHIFT ROD PALANCA VARILLA CAMBIOS	1	1	1	
37	90468-18008	CLIP PRESILLA	3	3	3	
38	90202-07M07	WASHER, PLATE ARANDELA DE PLANA	1	1	1	
39	688-44122-00	BUSHING, SHIFT ROD LEVER BUJE PALANCA VARILLA DE CAMBIO	1	1	1	
40	663-48344-00	CABLE END, REMOTE CONTROL BASE CONTROL	1	1	1	
41	6H3-48538-00	CLAMP, CABLE 1 GRAMPA DE CABLE	1	1	1	

FOR SHORT



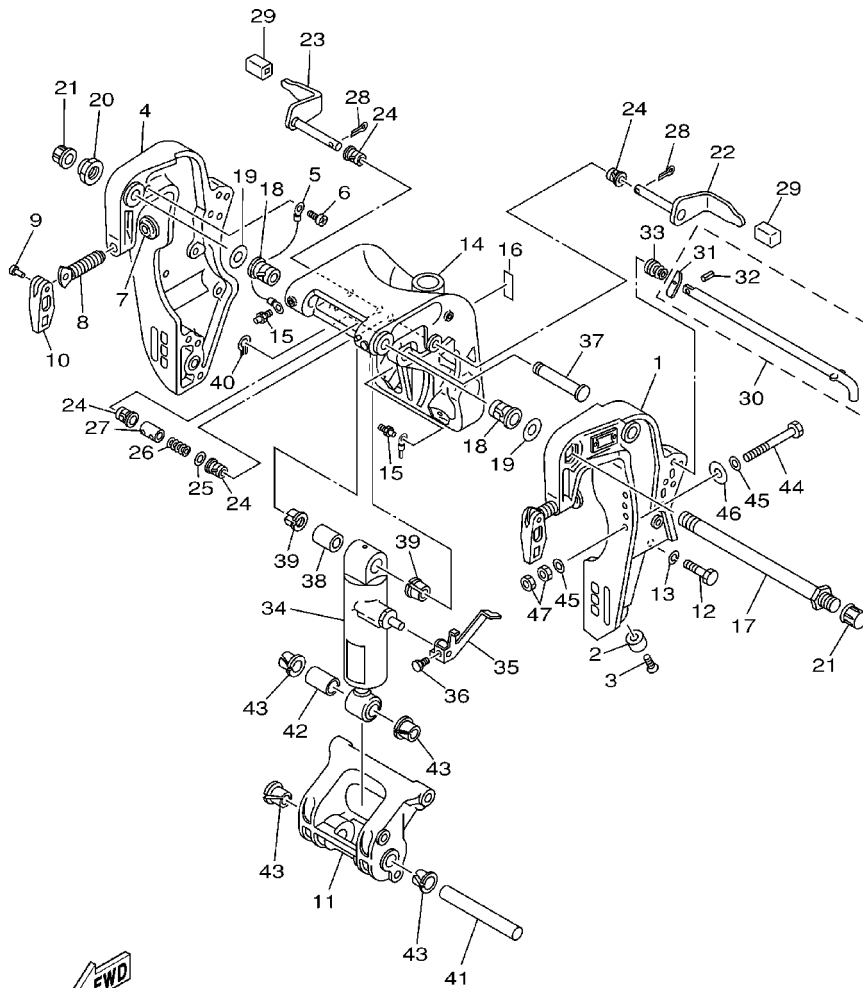
69D0200-1170

FIG. 17 BRACKET 1

SOPORTE 1

REF. NO.	PART NO. CODIGO NO.	DESCRIPTION DESCRIPTION	MHD	WHD	WD	REMARKS OBSERVACION
1	697-43111-05-4D	BRACKET, CLAMP SOPORTE DE LA ABRAZADERA	1			
2	663-45251-00	ANODE CATODE	2			
3	90152-06M01	SCREW, COUNTERSUNK TORNILLO EMBUTIDO	2			
4	697-43112-03-4D	BRACKET, CLAMP SOPORTE DE LA ABRAZADERA	1			
5	6E5-82148-00	WIRE, LEAD 4 CABLE CONDUCTOR 4	1			
6	97880-06012	SCREW, PAN HEAD TORNILLO DE CABEZA CON PLANA	1			
7	648-43114-01	PAD, TRANSOM CLAMP ARANDELA DE ABRAZADERA	2			
8	663-43116-01	SCREW, TRANSOM CLAMP TORNILLO DE ABRAZADERA	2			
9	90243-04007	PIN PASADOR	2			
10	663-43118-01-4D	HANDLE, TRANSOM CLAMP MANIJA DE LA ABRAZADERA DEL ES	2			
11	697-43128-01-4D	SPACER, CLAMP BRACKET ESPACIADOR ABRAZADERA SOPORTE	1			
12	97095-10045	BOLT PERNO	6			
13	92995-10100	WASHER ARANDELA	6			
14	697-43311-03-4D	BRACKET, SWIVEL 1 SOPORTE GIRATORIO 1	1			
15	93700-06M03	NIPPLE, GREASE NIPLE DE ENGRASAR	3			
16	688-43691-01	INDICATOR, TILT INDICADOR	1			
17	688-43131-03	BOLT, CLAMP BRACKET TORNILLO DE ABRAZADERA DEL SOP	1			
18	90386-22M15	BUSH BUJE	2			
19	90201-22M67	WASHER, PLATE ARANDELA PLANA	2			
20	90185-22043	NUT, SELF-LOCKING TUERCA AUTOBLOCANTE	1			
21	6G5-43145-01	CAP, CLAMP BRACKET TAPA	2			
22	688-43181-04	LEVER, TILT STOP PALANCA TOPE INCLINACION	1			
23	688-43185-04	LEVER, TILT STOP PALANCA TOPE INCLINACION	1			
24	90386-10M16	BUSH BUJE	4			
25	92990-10600	WASHER, PLATE ARANDELA	1			
26	90501-10M21	SPRING, COMPRESSION RESORTE DE COMPRESION	1			
27	90387-10M38	COLLAR COLLAR	1			

FOR SHORT



69D0200-1170

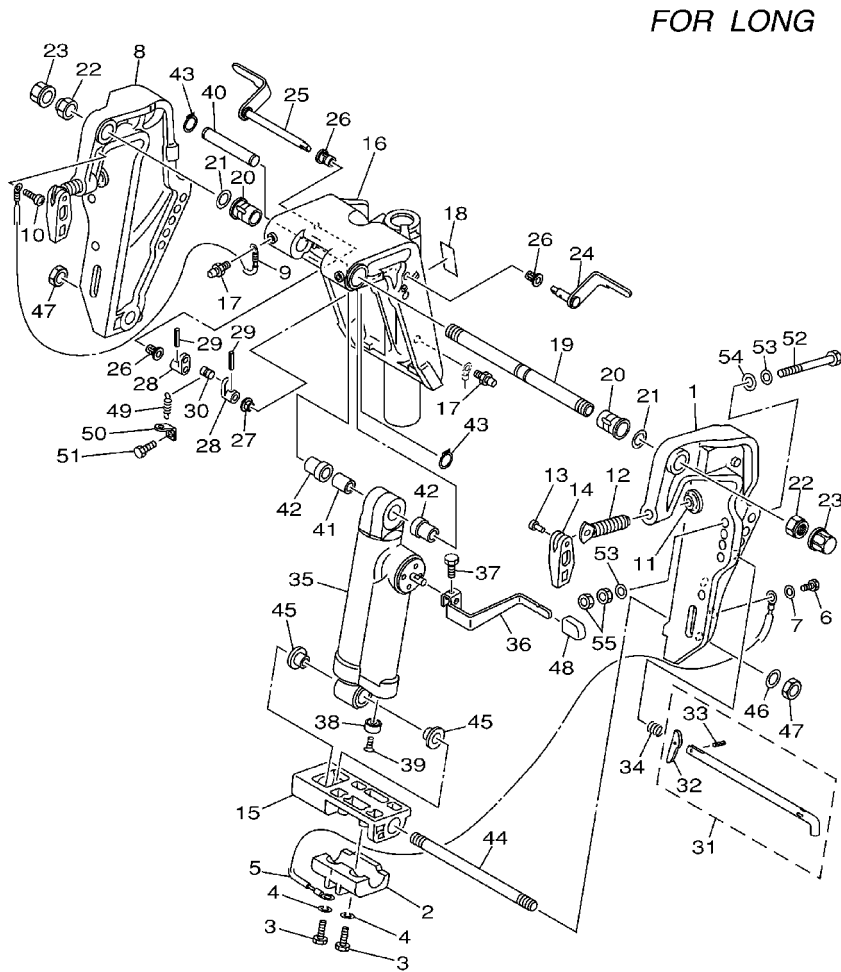
FIG. 17 BRACKET 1

SOPORTE 1

REF. NO.	PART NO. CODIGO NO.	DESCRIPTION DESCRIPTION	MHD	WHD	WD	REMARKS OBSERVACION
28	91490-30025	PIN, COTTER PASADOR DE CHAVETA	2			
29	663-43318-00	COVER CUBIERTA	2			
30	697-43160-00	TILT ROD ASSY VARILLA DE BASCULACION COMPL.	1			
31	688-43165-00	.PLATE, TILT LOCK .PLACA DE TOPE, VARILLA SEGUR	1			
32	91690-30012	.PIN, SPRING .PASADOR DE RESORTE	1			
33	90502-20M03	SPRING, CONICAL RESORTE CONICO	1			
34	697-43170-03-4D	SHOCK ABSORBER ASSY AMORTIGUADOR COMPL.	1			
35	688-43631-00	LEVER, TILT PALANCA DE INCLINACION	1			
36	97080-06010	BOLT PERNO	1			
37	6E5-43126-02	PIN, UPPER SHOCK MOUNT PASADOR DE AMORTIGUADOR SUPERI	1			
38	90386-18M21	BUSH BUJE	1			
39	90386-18M35	BUSH BUJE	2			
40	93410-18M02	CIRCLIP BOLA	1			
41	688-43124-02	PIN, LOWER SHOCK MOUNT PASADOR DE AMORTIGUADOR INFERI	1			
42	90386-18M21	BUSH BUJE	1			
43	90386-18M35	BUSH BUJE	4			
44	90101-12M65	BOLT TORNILLO	4			
45	92995-12200	WASHER ARANDELA	8			
46	90201-12426	WASHER, PLATE ARANDELA PLANA	4			
47	95380-12600	NUT TUERCA	8			

FIG. 18 BRACKET 2

SOPORTE 2



FOR LONG

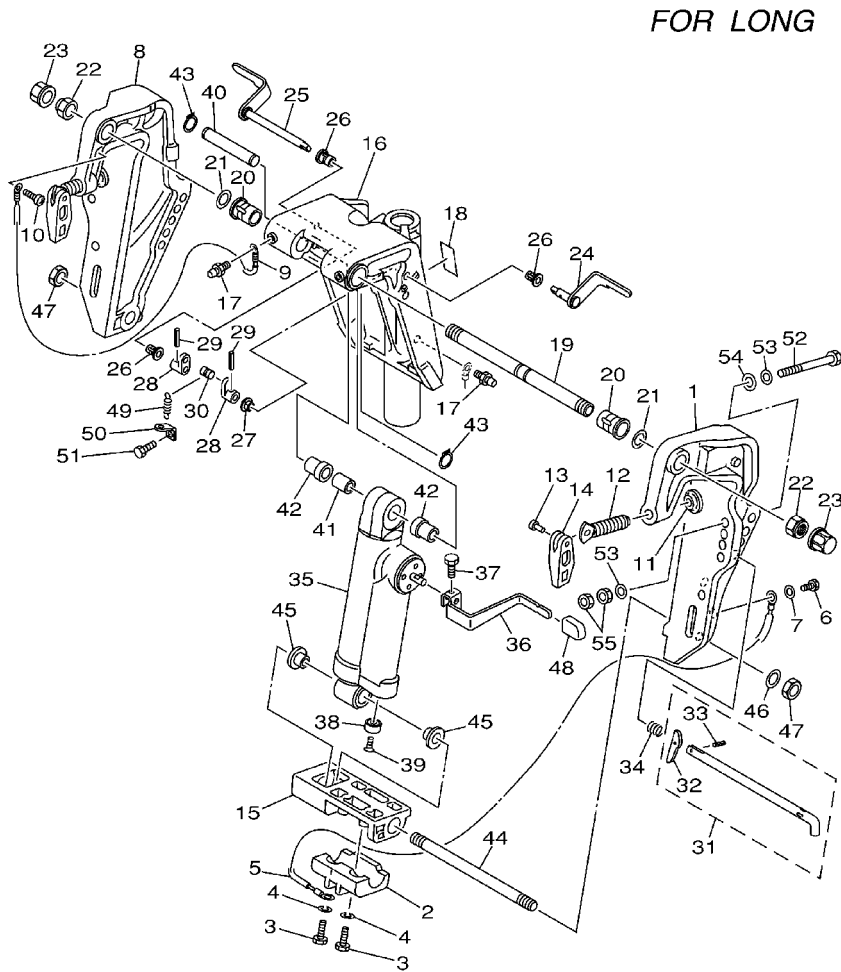


69D0200-1180

REF. NO.	PART NO. CODIGO NO.	DESCRIPTION DESCRIPTION	MHD	WH-D	WD	REMARKS OBSERVACION
1	63D-43111-01-4D	BRACKET, CLAMP SOPORTE DE LA ABRAZADERA	1	1	1	
2	63D-45251-00	ANODE CATODE	1	1	1	
3	97095-06025	BOLT PERNO	2	2	2	
4	92995-06100	WASHER, SPRING ARANDELA	2	2	2	
5	6H1-82148-00	WIRE, LEAD 4 CABLE CONDUCTOR 4	1	1	1	
6	97095-06010	BOLT PERNO	1	1	1	
7	92995-06600	WASHER ARANDELA	1	1	1	
8	63D-43112-01-4D	BRACKET, CLAMP SOPORTE DE LA ABRAZADERA	1	1	1	
9	63D-82148-00	WIRE, LEAD 4 CABLE CONDUCTOR 4	1	1	1	
10	97885-06008	SCREW, PAN HEAD TORNILLO DE CABEZA CON PLANA	1	1	1	
11	648-43114-01	PAD, TRANSOM CLAMP ARANDELA DE ABRAZADERA	2	2	2	
12	663-43116-01	SCREW, TRANSOM CLAMP TORNILLO DE ABRAZADERA	2	2	2	
13	90243-04007	PIN PASADOR	2	2	2	
14	663-43118-01-4D	HANDLE, TRANSOM CLAMP MANIJA DE LA ABRAZADERA DEL ES	2	2	2	
15	63D-43128-01-4D	SPACER, CLAMP BRACKET ESPACIADOR ABRAZADERA SOPORTE	1	1	1	
16	69D-43311-11-4D	BRACKET, SWIVEL 1 SOPORTE GIRATORIO 1	1	1	1	
17	93700-06M03	NIPPLE, GREASE NIPLE DE ENGRASAR	3	3	3	
18	63D-43691-00	INDICATOR, TILT INDICADOR	1	1	1	
19	63D-43131-01	BOLT, CLAMP BRACKET TORNILLO DE ABRAZADERA DEL SOP	1	1	1	
20	90386-22M15	BUSH BUJE	2	2	2	
21	90201-22M03	WASHER, PLATE ARANDELA PLANA	2	2	2	
22	90185-22M11	NUT, SELF-LOCKING TUERCA AUTOBLOCANTE	2	2	2	
23	6G5-43145-01	CAP, CLAMP BRACKET TAPA	2	2	2	
24	6H5-43181-03	LEVER, TILT STOP PALANCA TOPE INCLINACION	1	1	1	
25	6H5-43185-03	LEVER, TILT STOP PALANCA TOPE INCLINACION	1	1	1	
26	90386-10M16	BUSH BUJE	3	3	3	
27	90386-10025	BUSH BUJE	1	1	1	

FIG. 18 BRACKET 2

SOPORTE 2



FOR LONG

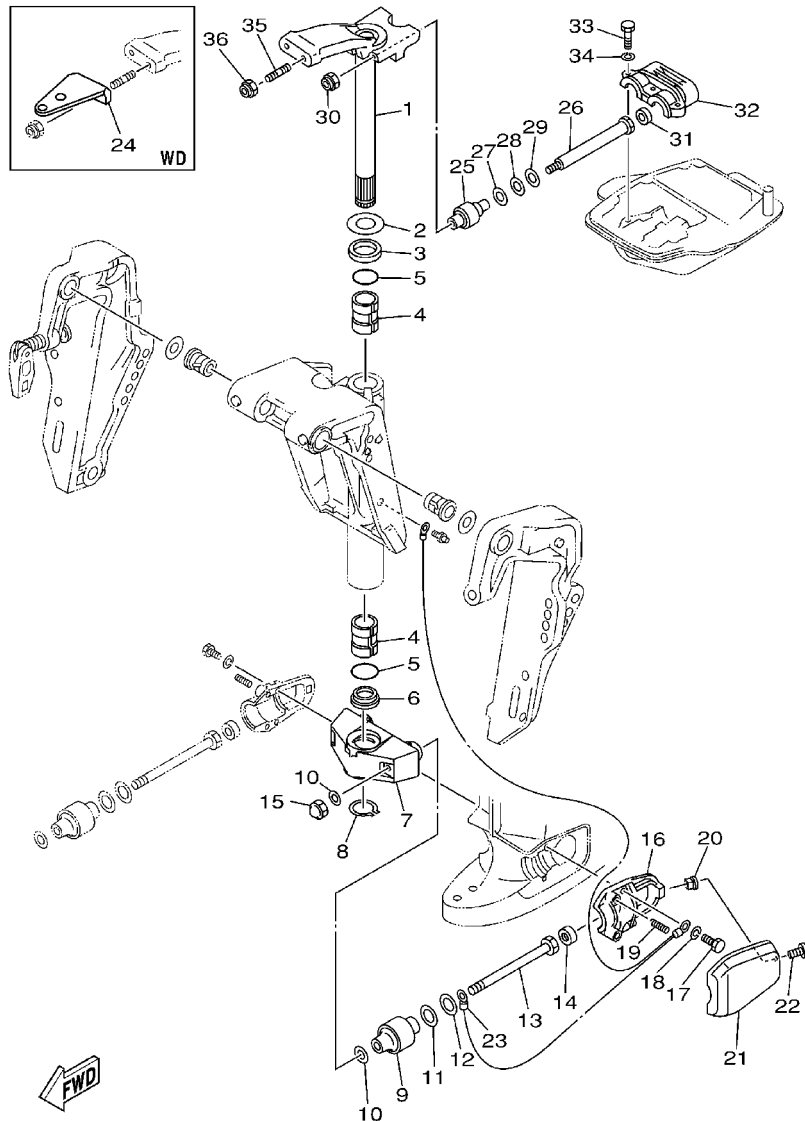


69D0200-1180

REF. NO.	PART NO. CODIGO NO.	DESCRIPTION DESCRIPTION	MHD	WHD	WD	REMARKS OBSERVACION
28	6G5-43148-00	COLLAR, DISTANCE COLLAR	2	2	2	
29	91690-30020	PIN, SPRING PASADOR DE RESORTE	2	2	2	
30	90249-06M19	PIN PASADOR	1	1	1	
31	688-43160-01	TILT ROD ASSY VARILLA DE BASCULACION COMPL.	1	1	1	
32	688-43165-00	.PLATE, TILT LOCK .PLACA DE TOPE, VARILLA SEGUR	1	1	1	
33	91690-30012	.PIN, SPRING .PASADOR DE RESORTE	1	1	1	
34	90502-16M02	SPRING, CONICAL RESORTE CONICO	1	1	1	
35	69D-43170-10-4D	SHOCK ABSORBER ASSY AMORTIGUADOR COMPL.	1	1	1	
36	69D-43631-00	LEVER, TILT PALANCA DE INCLINACION	1	1	1	
37	97095-06010	BOLT PERNO	1	1	1	
38	663-45251-00	ANODE CATODE	1	1	1	
39	98680-06525	SCREW, OVAL HEAD TORNILLO DE CABEZA OVALADA	1	1	1	
40	69D-43126-00	PIN, UPPER SHOCK MOUNT PASADOR DE AMORTIGUADOR SUPERI	1	1	1	
41	90387-16003	COLLAR COLLAR	1	1	1	
42	90387-16004	COLLAR COLLAR	2	2	2	
43	93410-16006	CIRCLIP BOLA	2	2	2	
44	90116-18M52	BOLT, STUD ESPARRAGO	1	1	1	
45	90386-18M44	BUSH BUJE	2	2	2	
46	92995-18600	WASHER ARANDELA	1	1	1	
47	90170-18M10	NUT TUERCA	2	2	2	
48	682-43318-01	COVER CUBIERTA	1	1	1	
49	90506-14M24	SPRING, TENSION RESORTE DE TENSION	1	1	1	
50	6G5-43144-00	HOOK, SPRING GANCHO	1	1	1	
51	97095-06010	BOLT PERNO	1	1	1	
52	90101-12M65	BOLT TORNILLO	4	4	4	
53	92995-12200	WASHER ARANDELA	8	8	8	
54	90201-12426	WASHER, PLATE ARANDELA PLANA	4	4	4	

FIG. 19 BRACKET 3

SOPORTE 3

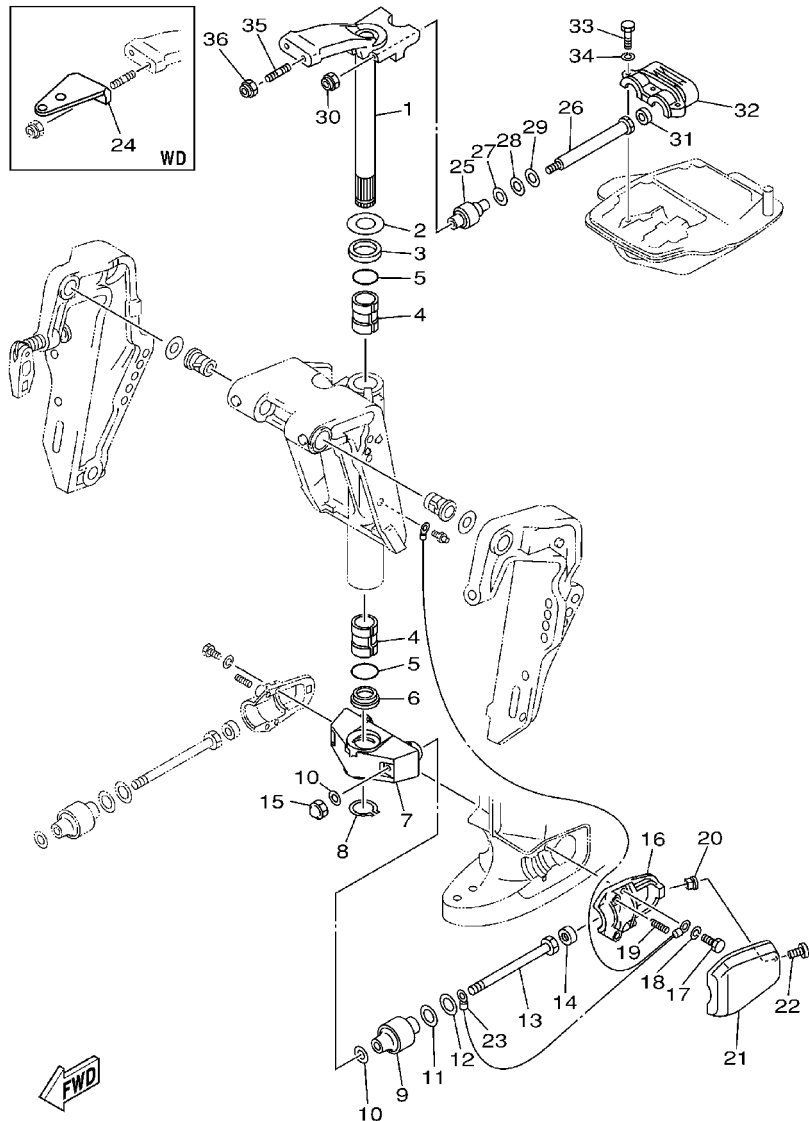


69D0200-1190

REF. NO.	PART NO. CODIGO NO.	DESCRIPTION DESCRIPTION	MHD	WHD	WD	REMARKS OBSERVACION
1	6H3-42510-02-4D	STEERING BRACKET ASSY	1			S
	69D-42510-10-4D	STEERING BRACKET ASSY	1	1	1	L
2	90201-30M00	WASHER, PLATE	1	1	1	
3	90386-30M78	ARANDELA PLANA	1	1	1	
4	90386-30M77	BUSH	2	2	2	
		BUJE				
5	93210-29M94	O-RING	2	2	2	
		ANILLO O				
6	90386-30M60	BUSH	1	1	1	
		BUJE				
7	6H3-44551-01-4D	HOUSING, LOWER MOUNT RUBBER	1			S
	69D-44551-10-4D	HOUSING, LOWER MOUNT RUBBER	1	1	1	L
		CAJA AMORTIGUADOR INFERIOR HU				
8	93410-28M06	CIRCLIP	1	1	1	
		BOLA				
9	687-44555-00-94	MOUNT DAMPER, LOWER SIDE	2	2	2	
		AMORTIGUADOR DE HULE LADO INFE				
10	90201-12M16	WASHER, PLATE	4	4	4	
		ARANDELA PLANA				
11	90202-25M04	WASHER, PLATE	2	2	2	
		ARANDELA DE PLANA				
12	90201-13M19	WASHER, PLATE	2	2	2	
		ARANDELA PLANA				
13	90109-12M21	BOLT	2	2	2	
		PERNO				
14	663-44575-00	DAMPER, LOWER MOUNT RUBBER	2	2	2	
		AMORTIGUADOR INFERIOR				
15	95380-12800	NUT, CROWN	2	2	2	
		TUERCA				
16	6H3-44552-03-94	HOUSING, LOWER MOUNT RUBBER	2	2	2	
		CAJA AMORTIGUADOR INFERIOR HU				
17	97075-08025	BOLT	4	4	4	
		PERNO				
18	92995-08100	WASHER	4	4	4	
		ARANDELA				
19	90501-14M08	SPRING, COMPRESSION	4	4	4	
		RESORTE DE COMPRESION				
20	90179-06066	NUT	2	2	2	
		TUERCA				
21	6H3-44553-01-4D	COVER, LOWER MOUNT	2	2	2	
		CUBIERTA, AMORTIGUADOR INFERIOR				
22	97885-06016	SCREW, PAN HEAD	2	2	2	
		TORNILLO DE CABEZA CON PLANA				
23	697-82127-01	WIRE, LEAD 2	1			S
		CABLE CONDUCTOR 2				
	688-82127-02	WIRE, LEAD 2	1	1	1	L
		CABLE CONDUCTOR 2				
24	6H3-48511-51-4D	HOOK, STEERING			1	
		GANCHO DIRECCION				

FIG. 19 BRACKET 3

SOPORTE 3

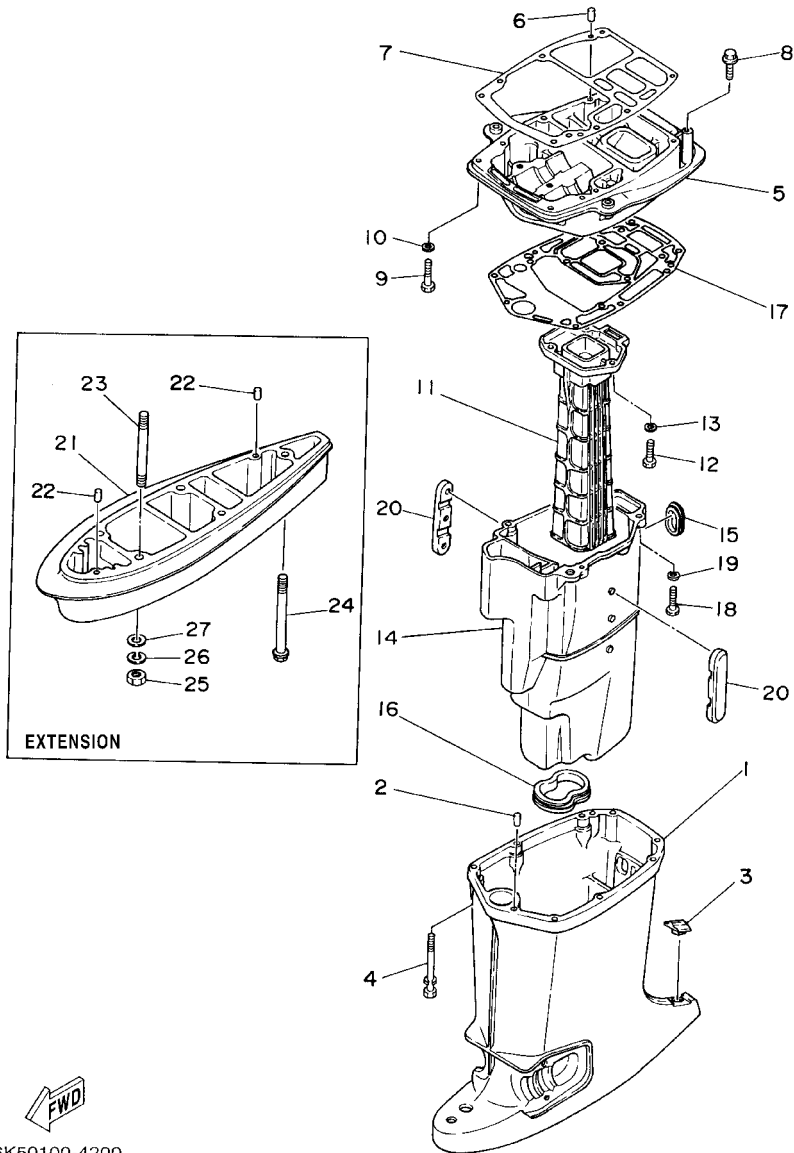


69D0200-1190

REF. NO.	PART NO. CODIGO NO.	DESCRIPTION DESCRIPTION	MHD	WHD	WD	REMARKS OBSERVACION
25	688-44514-00-94	MOUNT DAMPER, UPPER SIDE AMORTIGUADOR LADO SUPERIOR	2	2	2	
26	90101-10M49	BOLT TORNILLO	2	2	2	
27	90201-20M21	WASHER, PLATE ARANDELA PLANA	2	2	2	
28	90202-20M06	WASHER, PLATE ARANDELA DE PLANA	2	2	2	
29	90201-11M22	WASHER, PLATE ARANDELA PLANA	2	2	2	
30	90185-10051	NUT, SELF-LOCKING TUERCA AUTOBLOCANTE	2	2	2	
31	663-44575-00	DAMPER, LOWER MOUNT RUBBER AMORTIGUADOR INFERIOR	2	2	2	
32	688-44511-00-94	COVER, UPPER MOUNT CUBIERTA AMORTIGUADOR SUPERIOR	1	1	1	
33	97075-08035	BOLT PERNO	3	3	3	
34	92995-08100	WASHER ARANDELA	3	3	3	
35	90116-10M28	BOLT, STUD ESPARRAGO	2	2	2	
36	90185-10051	NUT, SELF-LOCKING TUERCA AUTOBLOCANTE	2	2	2	

FIG. 20 UPPER CASING

FUNDA SUPERIOR

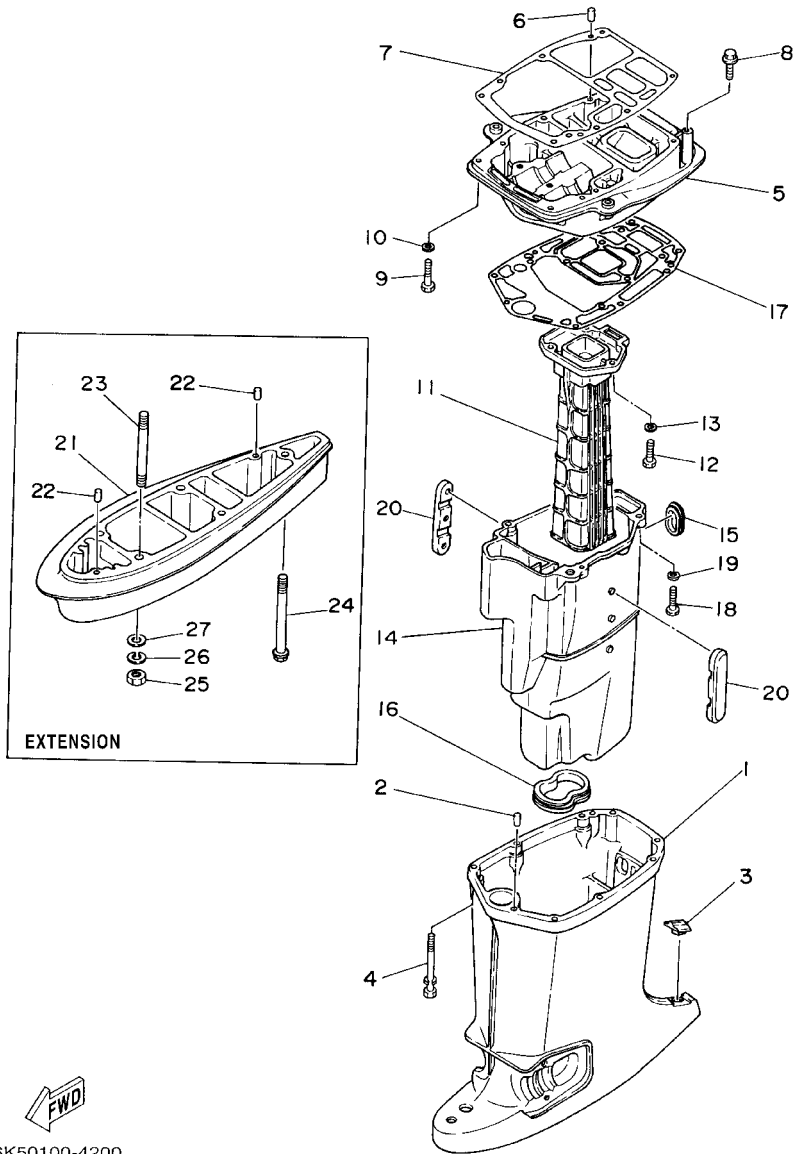


6K50100-4200

REF. NO.	PART NO. CODIGO NO.	DESCRIPTION DESCRIPTION	MHD	WHD	WD	REMARKS OBSERVACION
1	6H3-45111-01-4D	CASING, UPPER CAJA SUPERIOR	1			S
	6H3-45111-11-4D	CASING, UPPER CAJA SUPERIOR	1	1	1	L
2	93606-12019	PIN, DOWEL PASADOR DE CLAVIJA	2	2	2	
3	6H3-45155-00	CAP TAPA	1	1	1	
4	90119-08M81	BOLT, WITH WASHER TORNILLO CON ARANDELA	6	6	6	
5	6H3-41137-01-94	GUIDE, EXHAUST GUIA DE ESCAPE	1	1	1	
6	93606-12019	PIN, DOWEL PASADOR DE CLAVIJA	2	2	2	
7	6H3-45113-A0	GASKET, UPPER CASING EMPAQUE	1	1	1	
8	90119-08M79	BOLT, WITH WASHER TORNILLO CON ARANDELA	2	2	2	
9	97075-08035	BOLT PERNO	2	2	2	
10	92995-08100	WASHER ARANDELA	2	2	2	
11	6H2-41131-00-5B	MANIFOLD, EXT. 1 TUBO MULTIPLE DE ESCAPE	1	1	1	
12	97075-08030	BOLT PERNO	3	3	3	
13	92995-08100	WASHER ARANDELA	3	3	3	
14	6H3-14711-00-5B	MUFFLER 1 SILENCIADOR 1	1			S
	6H3-14711-10-5B	MUFFLER 1 SILENCIADOR 1	1	1	1	L
15	6H3-45127-00	SEAL SELLO DE GOMA	1	1	1	
16	6H3-45123-00	GASKET, MUFFLER EMPAQUE SILENCIADOR	1	1	1	
17	6H3-45114-A1	GASKET, UPPER CASING EMPAQUE	1	1	1	
18	97075-08030	BOLT PERNO	4	4	4	
19	92995-08100	WASHER ARANDELA	4	4	4	
20	6H3-14737-00	DAMPER, MUFFLER AMORTIGUADOR DE SILENCIADOR	2			S
	6H3-14737-10	DAMPER, MUFFLER AMORTIGUADOR DE SILENCIADOR	2	2	2	L
21	696-45211-01-4D	EXTENSION EXTENSION	1	1	1	
22	93606-12019	PIN, DOWEL PASADOR DE CLAVIJA	2	2	2	
23	90116-10M31	BOLT, STUD ESPARRAGO	4	4	4	
24	90119-08M85	BOLT, WITH WASHER TORNILLO CON ARANDELA	1	1	1	

FIG. 20 UPPER CASING

FUNDA SUPERIOR

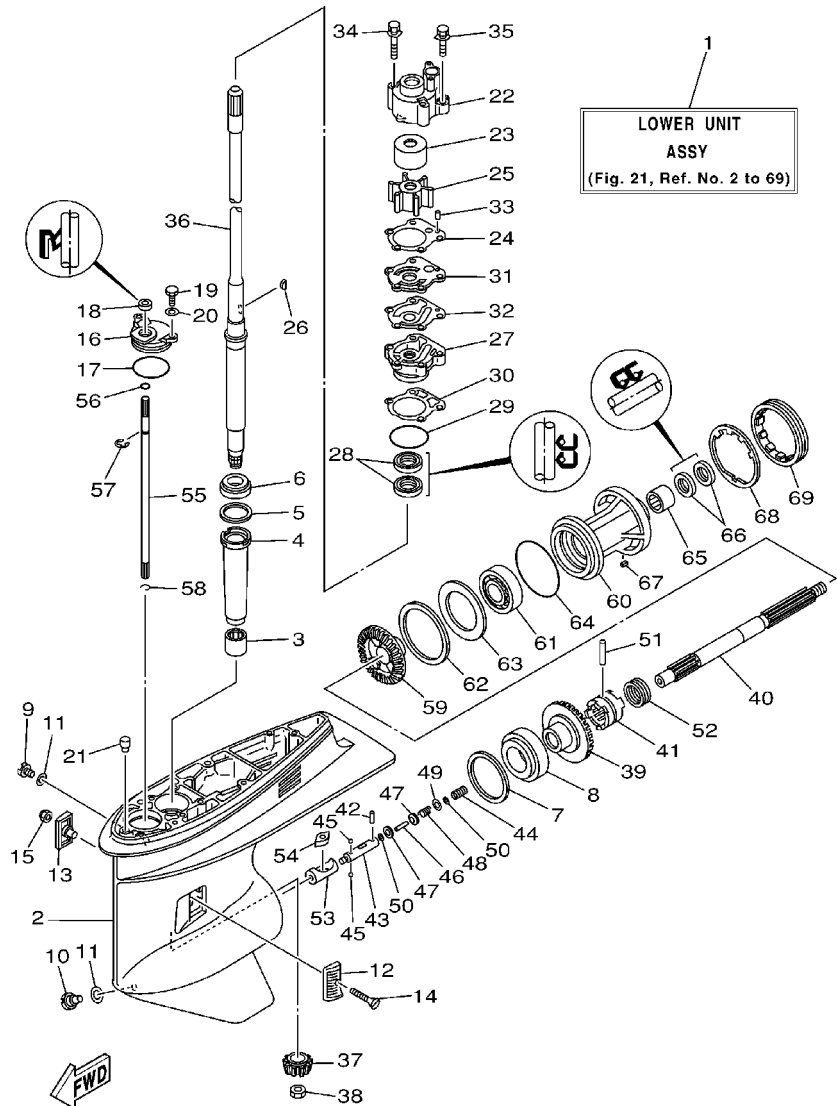


REF. NO.	PART NO. CODIGO NO.	DESCRIPTION DESCRIPTION	MHD	WHD	WD	REMARKS OBSERVACION
25	95380-10600	NUT TUERCA	4	4	4	
26	92990-10100	WASHER, SPRING ARANDELA	4	4	4	
27	92990-10600	WASHER, PLATE ARANDELA	4	4	4	

FWD
6K50100-4200

FIG. 21 LOWER CASING. DRIVE 1

IMPULSOR E INFERIOR 1

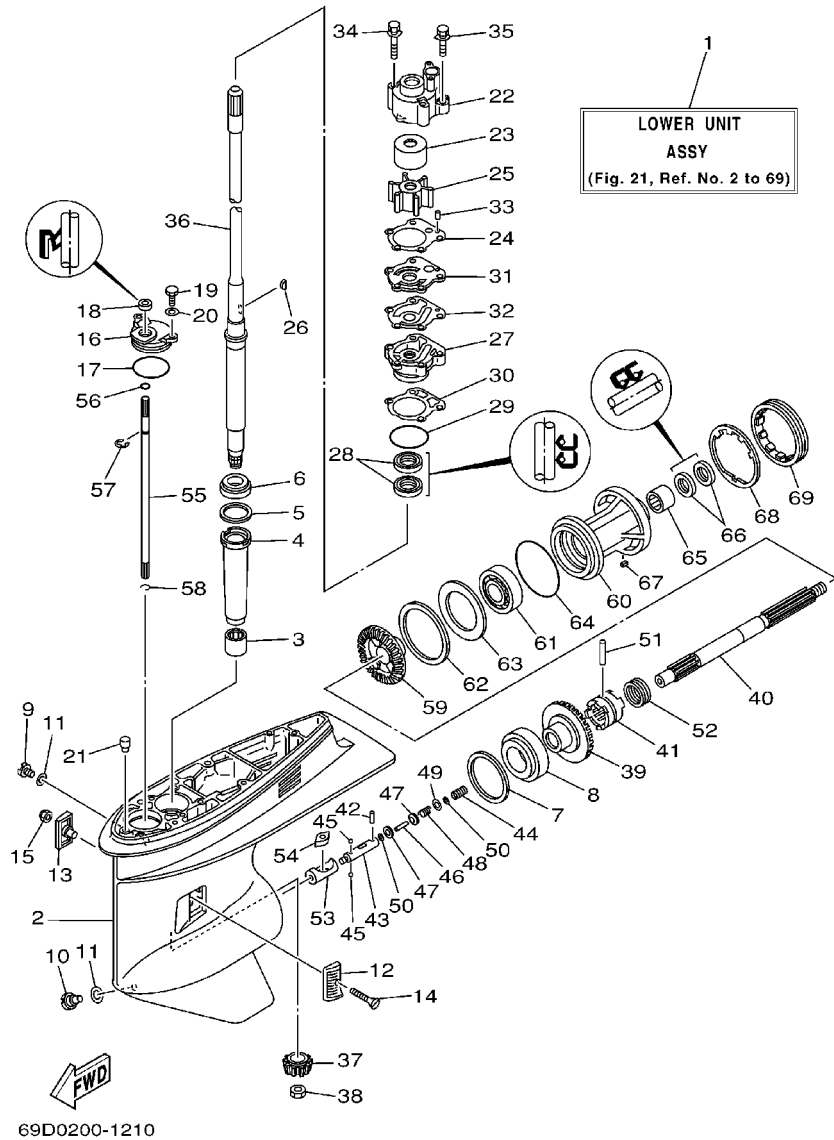


69D0200-1210

REF. NO.	PART NO. CODIGO NO.	DESCRIPTION DESCRIPTION	MHD	WHD	WD	REMARKS OBSERVACION
1	69D-45300-00-4D	LOWER UNIT ASSY CONJUNTO UNIDAD INFERIOR	1			S
	69D-45300-10-4D	LOWER UNIT ASSY CONJUNTO UNIDAD INFERIOR	1	1	1	L
2	6H1-45301-03-4D	CASING, LOWER FUNDA INFERIOR COMPLETA	1	1	1	
3	93315-325V1	BEARING COJINETE	1	1	1	
4	688-45536-01	SLEEVE, DRIVE SHAFT CAMISA EJE DE MANDO	1	1	1	
5	688-45587-01-10	SHIM (T:0.10MM) LAINA (T:0.10MM)	1	1	1	UR
	688-45587-01-12	SHIM (T:0.12MM) LAINA (T:0.12MM)	1	1	1	UR
	688-45587-01-15	SHIM (T:0.15MM) LAINA (T:0.15MM)	1	1	1	UR
	688-45587-01-18	SHIM (T:0.18MM) LAINA (T:0.18MM)	1	1	1	UR
	688-45587-01-30	SHIM (T:0.30MM) LAINA (T:0.30MM)	1	1	1	UR
	688-45587-01-40	SHIM (T:0.40MM) LAINA (T:0.40MM)	1	1	1	UR
	688-45587-01-50	SHIM (T:0.50MM) LAINA (T:0.50MM)	1	1	1	UR
6	93332-000U3	BEARING COJINETE	1	1	1	
7	688-45567-01-10	SHIM (T:0.10MM) LAINA (T:0.10MM)	1	1	1	UR
	688-45567-01-12	SHIM (T:0.12MM) LAINA (T:0.12MM)	1	1	1	UR
	688-45567-01-15	SHIM (T:0.15MM) LAINA (T:0.15MM)	1	1	1	UR
	688-45567-01-18	SHIM (T:0.18MM) LAINA (T:0.18MM)	1	1	1	UR
	688-45567-01-30	SHIM (T:0.30MM) LAINA (T:0.30MM)	1	1	1	UR
	688-45567-01-40	SHIM (T:0.40MM) LAINA (T:0.40MM)	1	1	1	UR
	688-45567-01-50	SHIM (T:0.50MM) LAINA (T:0.50MM)	1	1	1	UR
8	93332-000W7	BEARING COJINETE	1	1	1	
9	90340-08002	PLUG, STRAIGHT SCREW TORNILLO, DE DRENAJE	1	1	1	
10	688-45341-10	PLUG, DRAIN TAPON, DREN	1	1	1	
11	90430-08020	GASKET JUNTA	2	2	2	
12	6H1-45214-00	COVER, WATER INLET CUBIERTA ENTRADA AGUA	1	1	1	
13	6H1-45215-00	COVER, WATER INLET CUBIERTA ENTRADA AGUA	1	1	1	
14	90151-05M00	SCREW, COUNTERSUNK TORNILLO EMBUTIDO	1	1	1	

FIG. 21 LOWER CASING. DRIVE 1

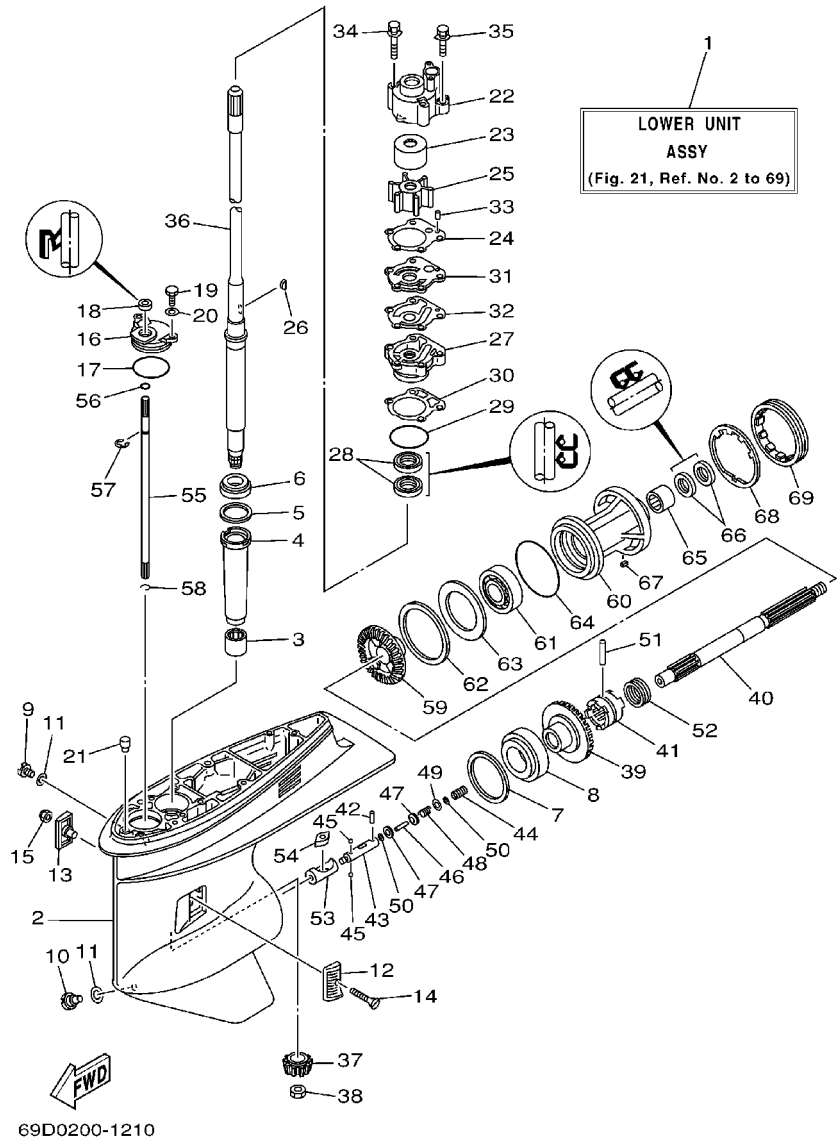
IMPULSOR E INFERIOR 1



REF. NO.	PART NO. CODIGO NO.	DESCRIPTION DESCRIPTION	MHD	WHD	WD	REMARKS OBSERVACION
15	90185-05002	NUT, SELF-LOCKING TUERCA AUTOBLOCANTE	1	1	1	
16	688-45321-00	PLATE PLACA	1	1	1	
17	93210-49046	O-RING ANILLO O	1	1	1	
18	93106-09014	OIL SEAL SELLO ACEITE	1	1	1	
19	97095-06016	BOLT PERNO	2	2	2	
20	92995-06600	WASHER ARANDELA	2	2	2	
21	6J8-45378-00	NIPPLE, HOSE NIPLE MANGUERA	1	1	1	
22	688-44311-01	HOUSING, WATER PUMP CAJA BOMBA DE AGUA	1	1	1	
23	69D-44322-00	INSERT, CARTRIDGE CARTUCHO	1	1	1	
24	688-44315-A0	GASKET, WATER PUMP EMPAQUE	1	1	1	
25	688-44352-03	IMPELLER IMPULSOR	1	1	1	
26	90280-04M04	KEY, WOODRUFF CUNA WOODRUFF	1	1	1	
27	688-44341-01-94	HOUSING, WATER PUMP CAJA BOMBA DE AGUA	1	1	1	
28	93101-25M03	OIL SEAL SELLO ACEITE	2	2	2	
29	93210-46044	O-RING ANILLO O	1	1	1	
30	688-44316-A0	GASKET, WATER PUMP EMPAQUE	1	1	1	
31	688-44323-40	OUTER PLATE, CARTRIDGE PLACA EXTERIOR DEL CARTUCHO	1	1	1	
32	688-44324-A0	GASKET, CARTRIDGE EMPAQUE	1	1	1	
33	93604-10M03	PIN, DOWEL PASADOR DE CLAVIJA	2	2	2	
34	90119-08M16	BOLT, WITH WASHER TORNILLO CON ARANDELA	2	2	2	
35	90119-08M13	BOLT, WITH WASHER TORNILLO CON ARANDELA	2	2	2	
36	69D-45501-00	DRIVE SHAFT COMP. EJE DE MANDO COMPL.	1			S
	69D-45501-10	DRIVE SHAFT COMP. EJE DE MANDO COMPL.	1	1	1	L
37	6K5-45551-00	PINION (12T) PINON	1	1	1	
38	90170-16M01	NUT TUERCA	1	1	1	
39	6K5-45560-00	GEAR (28T) ENGRANE COMPLE 1	1	1	1	
40	6H1-45611-01	SHAFT, PROPELLER EJE PROPUSOR	1	1	1	

FIG. 21 LOWER CASING. DRIVE 1

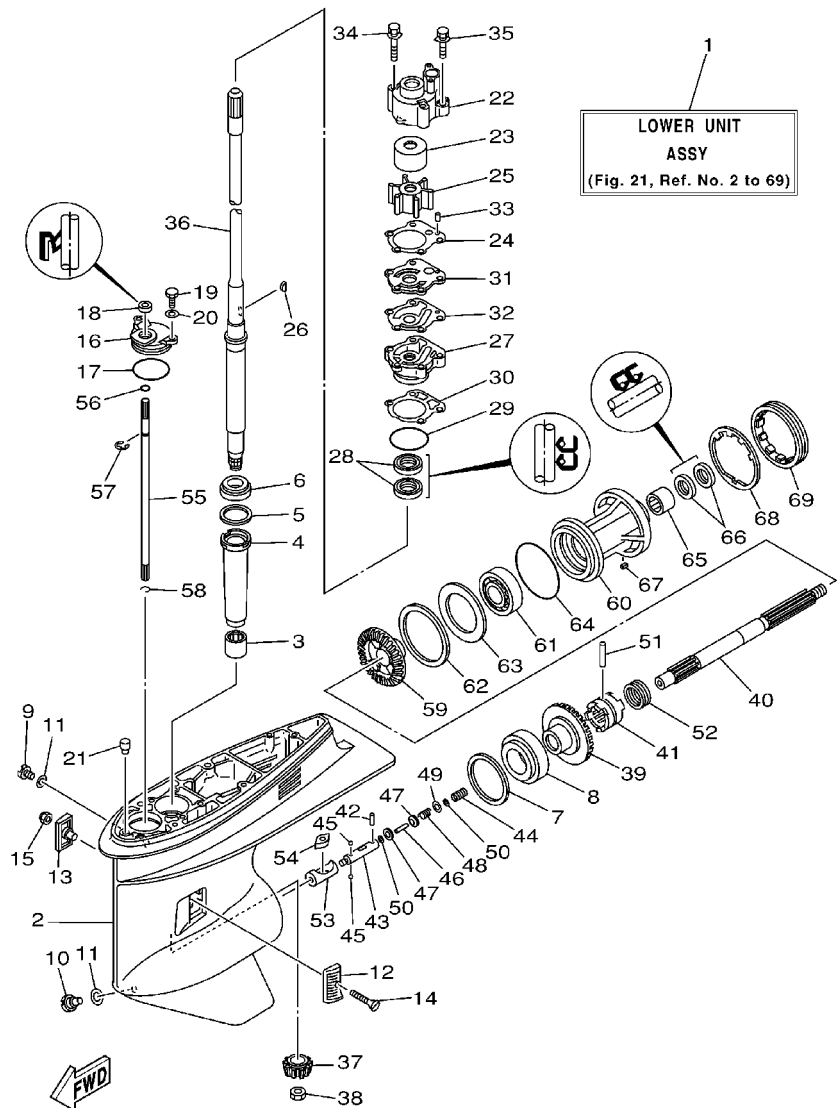
IMPULSOR E INFERIOR 1



REF. NO.	PART NO. CODIGO NO.	DESCRIPTION DESCRIPTION	MHD	WHD	WD	REMARKS OBSERVACION
41	6H1-45631-01	CLUTCH, DOG EMBRAGUE DE GARRA	1	1	1	
42	93603-12M11	PIN, DOWEL PASADOR DE CLAVIJA	1	1	1	
43	6H1-45634-02	SLIDE, SHIFT DESLIZADOR, CAMBIO	1	1	1	
44	90501-16M65	SPRING, COMPRESSION RESORTE DE COMPRESION	1	1	1	
45	93503-16003	BALL BOLA	2	2	2	
46	6H1-45668-00	SHAFT, FREE EJE	1	1	1	
47	6H1-45635-00	PLUNGER, SHIFT EMBOLO DE CAMBIO	2	2	2	
48	90501-12M48	SPRING, COMPRESSION RESORTE DE COMPRESION	1	1	1	
49	90201-03313	WASHER, PLATE ARANDELA PLANA	1	1	1	
50	90183-02M03	NUT, SPRING TUERCA DE RESORTE	2	2	2	
51	90250-07M02	PIN, STRAIGHT PASADOR CILINDRICO	1	1	1	
52	688-45633-00	RING, CROSS PIN ANILLO DE PASADOR	1	1	1	
53	6H1-45641-01	SHIFTER CAMBIO	1	1	1	
54	6H1-44151-00	CAM, SHIFT LEVA DE CAMBIO	1	1	1	
55	6H1-44144-00	ROD, SHIFT VARILLA DE CAMBIO	1	1	1	
56	93210-07003	O-RING ANILLO O	1	1	1	
57	99001-08600	CIRCLIP PRESILLA REDONDA	1	1	1	
58	93450-07M00	CIRCLIP BOLA	1	1	1	
59	6H3-45571-00	GEAR ENGRANAJE	1	1	1	
60	688-45331-00-94	HOUSING, BEARING CAJA DE COJINETE	1	1	1	
61	93306-207U0	BEARING COJINETE	1	1	1	
62	688-45577-01-10	SHIM (T:0.10MM) LAINA (T:0.10MM)	1	1	1	UR
	688-45577-01-12	SHIM (T:0.12MM) LAINA (:0.12MM)	1	1	1	UR
	688-45577-01-15	SHIM (T:0.15MM) LAINA (T:0.15MM)	1	1	1	UR
	688-45577-01-18	SHIM (T:0.18MM) LAINA (T:0.18MM)	1	1	1	UR
	688-45577-01-30	SHIM (T:0.30MM) LAINA (T:0.30MM)	1	1	1	UR
	688-45577-01-40	SHIM (T:0.40MM) LAINA (T:0.40MM)	1	1	1	UR

FIG. 21 LOWER CASING. DRIVE 1

IMPULSOR E INFERIOR 1

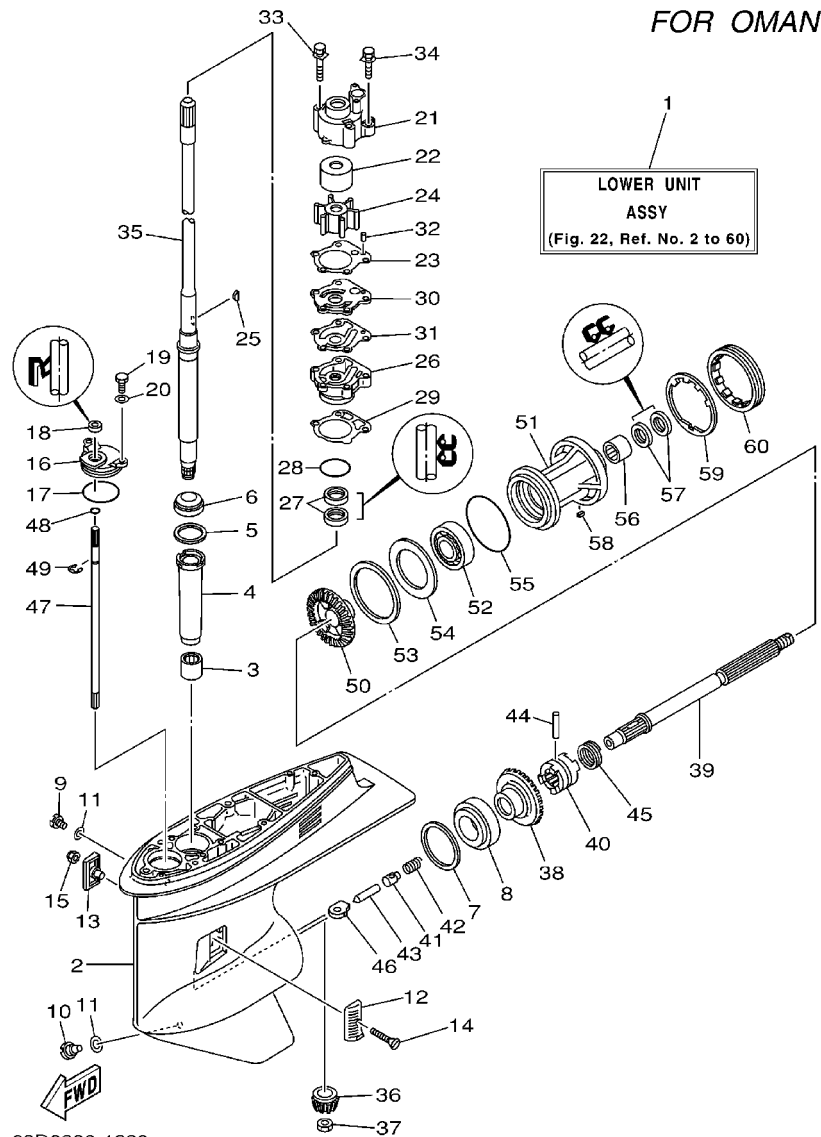


69D0200-1210

REF. NO.	PART NO. CODIGO NO.	DESCRIPTION DESCRIPTION	MHD	WHD	WD	REMARKS OBSERVACION
62	688-45577-01-50	SHIM (T:0.50MM) LAINA (T:0.50MM)	1	1	1	UR
63	688-45576-00	WASHER, THRUST ARANDELA DE EMPUJE AXIAL	1	1	1	
64	93210-85M97	O-RING ANILLO O	1	1	1	
65	93317-325U0	BEARING COJINETE	1	1	1	
66	93101-25M03	OIL SEAL SELLO ACEITE	2	2	2	
67	90282-04010	KEY, STRAIGHT CHAVETA, RECTA	1	1	1	
68	688-45383-02	WASHER, CLAW ARANDELA DE UNA	1	1	1	
69	688-45384-00	NUT TUERCA	1	1	1	

FIG. 22 LOWER CASING. DRIVE 2

IMPULSOR E INFERIOR 2

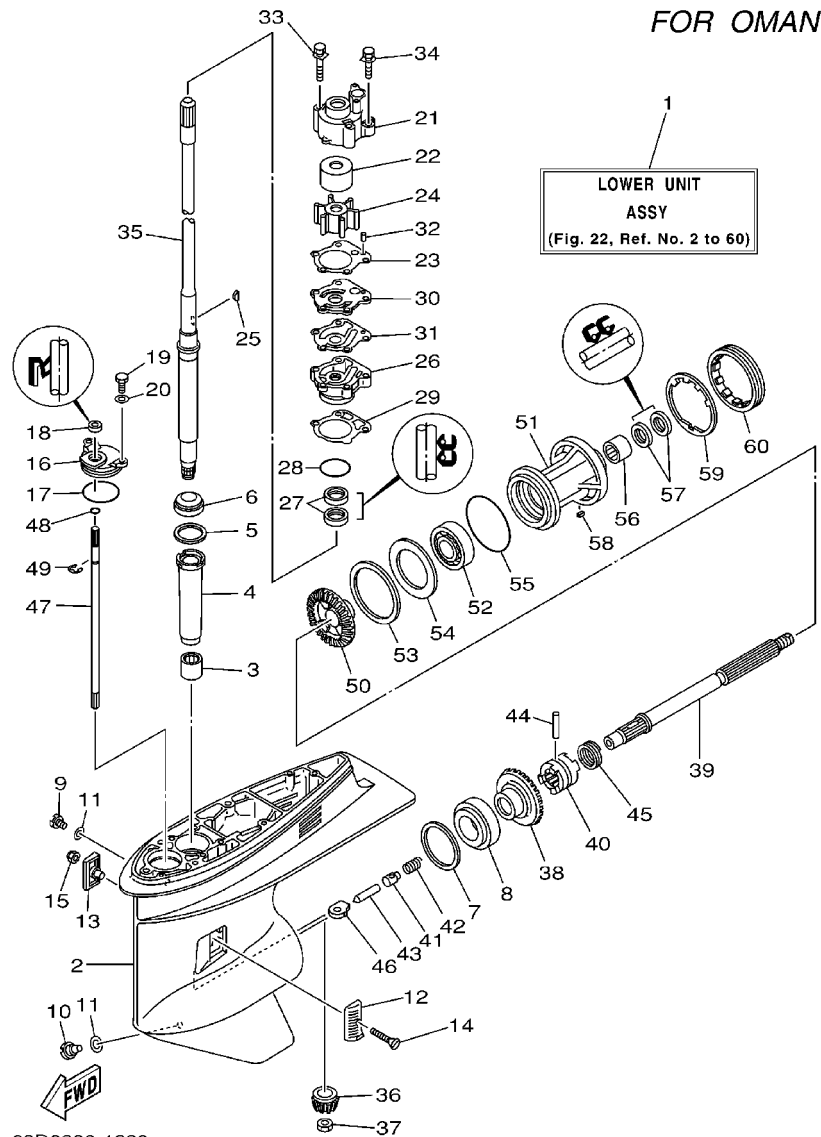


69D0200-1220

REF. NO.	PART NO. CODIGO NO.	DESCRIPTION DESCRIPTION	MHD	WHD	WD	REMARKS OBSERVACION
1	69D-45300-40-4D	LOWER UNIT ASSY CONJUNTO UNIDAD INFERIOR	1	1		L
2	688-45311-06-4D	CASING, LOWER FUNDA INFERIOR	1	1		
3	93315-325V1	BEARING COJINETE	1	1		
4	688-45536-01	SLEEVE, DRIVE SHAFT CAMISA EJE DE MANDO	1	1		
5	688-45587-01-10	SHIM (T:0.10MM) LAINA (T:0.10MM)	1	1		UR
	688-45587-01-12	SHIM (T:0.12MM) LAINA (T:0.12MM)	1	1		UR
	688-45587-01-15	SHIM (T:0.15MM) LAINA (T:0.15MM)	1	1		UR
	688-45587-01-18	SHIM (T:0.18MM) LAINA (T:0.18MM)	1	1		UR
	688-45587-01-30	SHIM (T:0.30MM) LAINA (T:0.30MM)	1	1		UR
	688-45587-01-40	SHIM (T:0.40MM) LAINA (T:0.40MM)	1	1		UR
	688-45587-01-50	SHIM (T:0.50MM) LAINA (T:0.50MM)	1	1		UR
6	93332-000U3	BEARING COJINETE	1	1		
7	688-45567-01-10	SHIM (T:0.10MM) LAINA (T:0.10MM)	1	1		UR
	688-45567-01-12	SHIM (T:0.12MM) LAINA (T:0.12MM)	1	1		UR
	688-45567-01-15	SHIM (T:0.15MM) LAINA (T:0.15MM)	1	1		UR
	688-45567-01-18	SHIM (T:0.18MM) LAINA (T:0.18MM)	1	1		UR
	688-45567-01-30	SHIM (T:0.30MM) LAINA (T:0.30MM)	1	1		UR
	688-45567-01-40	SHIM (T:0.40MM) LAINA (T:0.40MM)	1	1		UR
	688-45567-01-50	SHIM (T:0.50MM) LAINA (T:0.50MM)	1	1		UR
8	93332-000W7	BEARING COJINETE	1	1		
9	90340-08002	PLUG, STRAIGHT SCREW TORNILLO, DE DRENAJE	1	1		
10	688-45341-10	PLUG, DRAIN TAPON, DREN	1	1		
11	90430-08020	GASKET JUNTA	2	2		
12	6H1-45214-00	COVER, WATER INLET CUBIERTA ENTRADA AGUA	1	1		
13	6H1-45215-00	COVER, WATER INLET CUBIERTA ENTRADA AGUA	1	1		
14	90151-05M00	SCREW, COUNTERSUNK TORNILLO EMBUTIDO	1	1		
15	90185-05002	NUT, SELF-LOCKING TUERCA AUTOBLOCANTE	1	1		

FIG. 22 LOWER CASING. DRIVE 2

IMPULSOR E INFERIOR 2

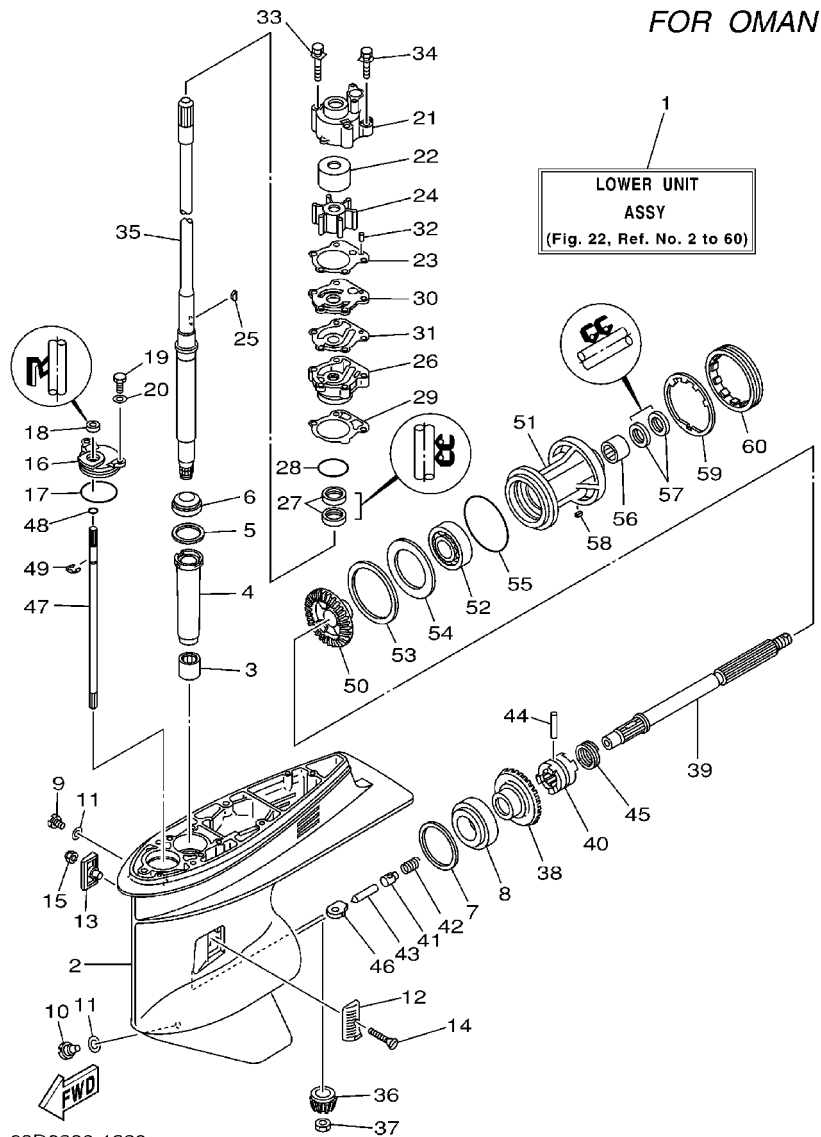


69D0200-1220

REF. NO.	PART NO. CODIGO NO.	DESCRIPTION DESCRIPTION	MHD	WHD	WD	REMARKS OBSERVACION
16	688-45321-00	PLATE PLACA	1	1		
17	93210-49046	O-RING ANILLO O	1	1		
18	93106-09014	OIL SEAL SELLO ACEITE	1	1		
19	97095-06016	BOLT PERNO	2	2		
20	92995-06600	WASHER ARANDELA	2	2		
21	688-44311-01	HOUSING, WATER PUMP CAJA BOMBA DE AGUA	1	1		
22	69D-44322-00	INSERT, CARTRIDGE CARTUCHO	1	1		
23	688-44315-A0	GASKET, WATER PUMP EMPAQUE	1	1		
24	688-44352-03	IMPELLER IMPULSOR	1	1		
25	90280-04M04	KEY, WOODRUFF CUNA WOODRUFF	1	1		
26	688-44341-01-94	HOUSING, WATER PUMP CAJA BOMBA DE AGUA	1	1		
27	93101-25M03	OIL SEAL SELLO ACEITE	2	2		
28	93210-46044	O-RING ANILLO O	1	1		
29	688-44316-A0	GASKET, WATER PUMP EMPAQUE	1	1		
30	688-44323-40	OUTER PLATE, CARTRIDGE PLACA EXTERIOR DEL CARTUCHO	1	1		
31	688-44324-A0	GASKET, CARTRIDGE EMPAQUE	1	1		
32	93604-10M03	PIN, DOWEL PASADOR DE CLAVIJA	2	2		
33	90119-08M16	BOLT, WITH WASHER TORNILLO CON ARANDELA	2	2		
34	90119-08M13	BOLT, WITH WASHER TORNILLO CON ARANDELA	2	2		
35	69D-45501-10	DRIVE SHAFT COMP. EJE DE MANDO COMPL.	1	1		L
36	6K5-45551-00	PINION (12T) PINON	1	1		
37	90170-16M01	NUT TUERCA	1	1		
38	6K5-45560-00	GEAR (28T) ENGRANE COMPLE 1	1	1		
39	688-45611-00	SHAFT, PROPELLER EJE PROPUSOR	1	1		
40	688-45631-01	CLUTCH, DOG EMBRAGUE DE GARRA	1	1		
41	688-45634-00	SLIDE, SHIFT DESLIZADOR, CAMBIO	1	1		
42	90501-16233	SPRING, COMPRESSION RESORTE DE COMPRESION	1	1		

FIG. 22 LOWER CASING. DRIVE 2

IMPULSOR E INFERIOR 2

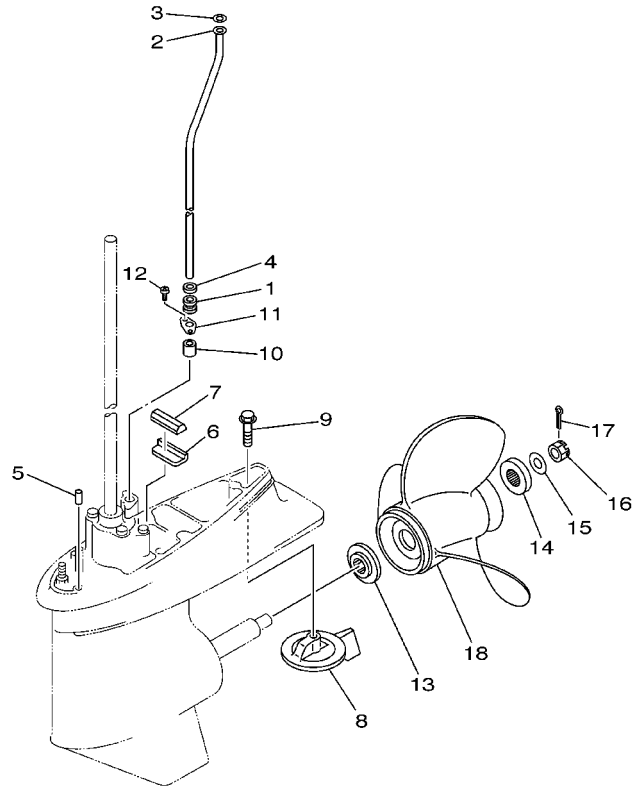


REF. NO.	PART NO. CODIGO NO.	DESCRIPTION DESCRIPTION	MHD	WHD	WD	REMARKS OBSERVACION
43	688-45635-00	PLUNGER, SHIFT EMBOLO DE CAMBIO	1	1		
44	90250-07M02	PIN, STRAIGHT PASADOR CILINDRICO	1	1		
45	688-45633-00	RING, CROSS PIN ANILLO DE PASADOR	1	1		
46	663-44151-00	CAM, SHIFT LEVA DE CAMBIO	1	1		
47	6K5-44144-00	ROD, SHIFT VARILLA DE CAMBIO	1	1		
48	93210-07003	O-RING ANILLO O	1	1		
49	99001-08600	CIRCLIP PRESILLA REDONDA	1	1		
50	6K5-45571-00	GEAR (28T) ENGRANAJE	1	1		
51	688-45331-00-94	HOUSING, BEARING CAJA DE COJINETE	1	1		
52	93306-207U0	BEARING COJINETE	1	1		
53	688-45577-01-10	SHIM (T:0.10MM) LAINA (T:0.10MM)	1	1		UR
	688-45577-01-12	SHIM (T:0.12MM) LAINA (:0.12MM)	1	1		UR
	688-45577-01-15	SHIM (T:0.15MM) LAINA (T:0.15MM)	1	1		UR
	688-45577-01-18	SHIM (T:0.18MM) LAINA (T:0.18MM)	1	1		UR
	688-45577-01-30	SHIM (T:0.30MM) LAINA (T:0.30MM)	1	1		UR
	688-45577-01-40	SHIM (T:0.40MM) LAINA (T:0.40MM)	1	1		UR
	688-45577-01-50	SHIM (T:0.50MM) LAINA (T:0.50MM)	1	1		UR
54	688-45576-00	WASHER, THRUST ARANDELA DE EMPUJE AXIAL	1	1		
55	93210-85M97	O-RING ANILLO O	1	1		
56	93317-325U0	BEARING COJINETE	1	1		
57	93101-25M03	OIL SEAL SELLO ACEITE	2	2		
58	90282-04010	KEY, STRAIGHT CHAVETA, RECTA	1	1		
59	688-45383-02	WASHER, CLAW ARANDELA DE UNA	1	1		
60	688-45384-00	NUT TUERCA	1	1		

69D0200-1220

FIG. 23 LOWER CASING. DRIVE 3

IMPULSOR E INFERIOR 3

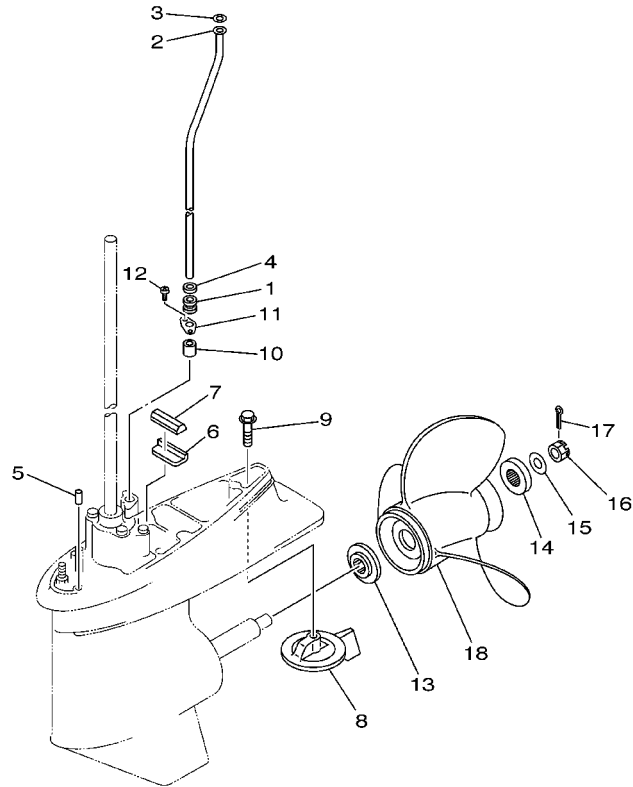


REF. NO.	PART NO. CODIGO NO.	DESCRIPTION DESCRIPTION	MHD	WHD	WD	REMARKS OBSERVACION
1	663-44367-00	DAMPER, WATER SEAL GOMA DEL SELLO DE AGUA	1	1	1	
2	69D-44361-00	TUBE, WATER TUBO DE AGUA	1			S
	69D-44361-10	TUBE, WATER TUBO DE AGUA	1	1	1	L
3	90202-12060	WASHER, PLATE ARANDELA DE PLANA	1	1	1	
4	90430-12072	GASKET JUNTA	1	1	1	
5	93606-12019	PIN, DOWEL PASADOR DE CLAVIJA	2	2	2	
6	663-45376-00-94	GUIDE, SEAL DAMPER GUIA DE SELLO GOMA	1	1	1	
7	688-45375-00	DAMPER, SEAL GOMA DE SELLO	1	1	1	
8	688-45371-02	TAB-TRIM QUILLA ESTABILIZADOR	1	1	1	
9	90105-10M67	BOLT, FLANGE TORNILLO	1	1	1	
10	663-44366-00	DAMPER, WATER SEAL GOMA DEL SELLO DE AGUA	1	1	1	
11	90480-19M06	GROMMET TAPON	1	1	1	
12	97780-40512	SCREW, TAPPING TORNILLO ROSCA HEMBRA	2	2	2	
13	688-45987-01	SPACER ESPACIADOR	1	1	1	
14	688-45997-01	SPACER ESPACIADOR	1	1	1	
15	90201-17M00	WASHER, PLATE ARANDELA PLANA	1	1	1	
16	90171-16011	NUT, CASTLE TUERCA ENTALLADA	1	1	1	
17	91490-40025	PIN, COTTER PASADOR DE CHAVETA	1	1	1	
18	6E5-45941-00-EL	PROPELLER (3X13"X19"-K) PROPELA (3X13"X19"-K)	1	1	1	UR
	6E5-45943-00-EL	PROPELLER (3X12-5/8"X21"-K) PROPELA (3X12-5/8"X21"-K)	1	1	1	UR
	6E5-45945-01-EL	PROPELLER (3X13-1/4"X17"-K) PROPELA (3X13-1/4"X17"-K)	1	1	1	UR
	6E5-45947-00-EL	PROPELLER (3X13-1/2"X15"-K) PROPELA (3X13-1/2"X15"-K)	1	1	1	UR
	6E5-45949-00-EL	PROPELLER (3X13-5/8"X13"-K) PROPELA (3X13-5/8"X13"-K)	1	1	1	UR
	6E5-45952-00-EL	PROPELLER (3X13"X23"-K) PROPELA (3X13"X23"-K)	1	1	1	UR
	6E5-45954-00-EL	PROPELLER (3X14"X11"-K) PROPELA (3X14"X11"-K)	1	1	1	UR
	6E5-45956-00-EL	PROPELLER (3X13"X25"-K) PROPELA (3X13"X25"-K)	1	1	1	UR



69D0100-1200

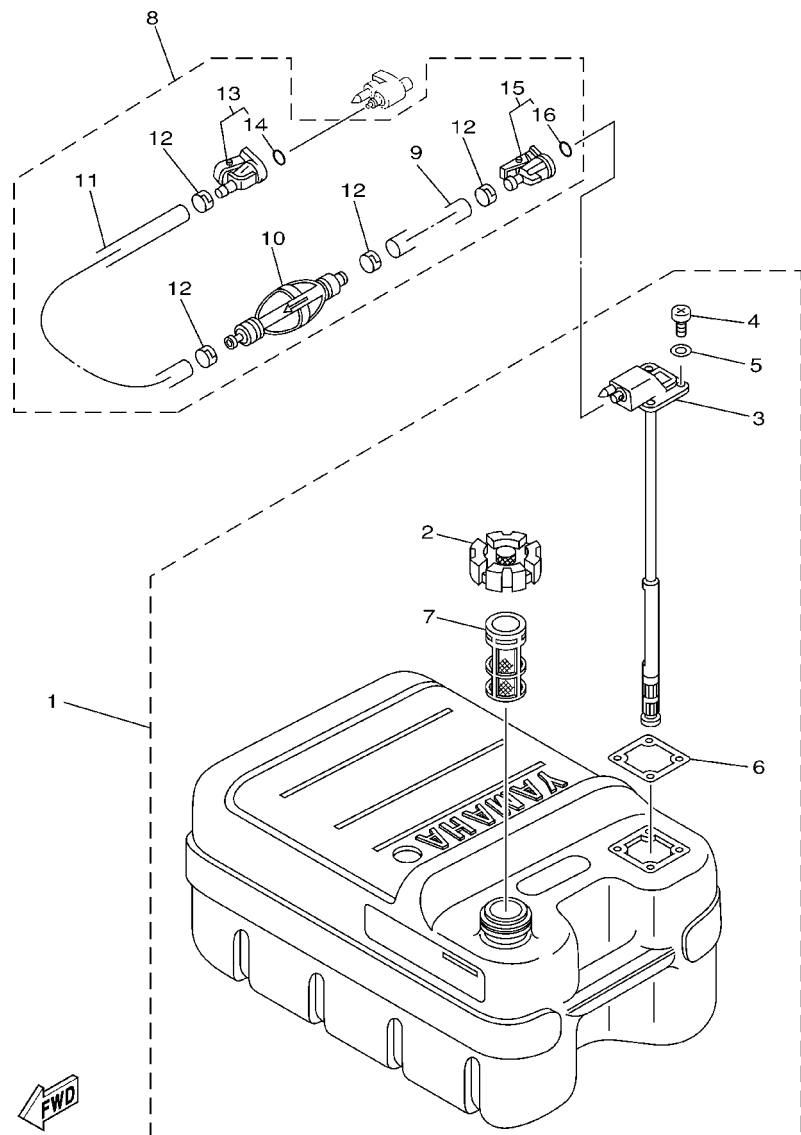
FIG. 23 LOWER CASING. DRIVE 3 IMPULSOR E INFERIOR 3



REF. NO.	PART NO. CODIGO NO.	DESCRIPTION DESCRIPTION	MHD	WHD	WD	REMARKS OBSERVACION
		STAINLESS STEEL PROPELLER LIMPIO-ACERO DEL PROPELA				
18	688-45930-02-98	PROPELLER (3X13"X17"-K) PROPELA (3X13"X17"-K)	1	1	1	UR
	688-45970-03-98	PROPELLER (3X13"X19"-K) PROPELA (3X13"X19"-K)	1	1	1	UR
	688-45972-02-98	PROPELLER (3X13"X21"-K) PROPELA (3X13"X21"-K)	1	1	1	UR
	688-45974-02-98	PROPELLER (3X13"X23"-K) PROPELA (3X13"X23"-K)	1	1	1	UR
	688-45976-01-98	PROPELLER (3X13"X25"-K) PROPELA (3X13"X25"-K)	1	1	1	UR
	688-45932-60-98	PROPELLER (3X13-1/2"X14"-K) PROPELA (3X13-1/2"X14"-K)	1	1	1	UR
	688-45978-60-98	PROPELLER (3X13-1/2"X16"-K) PROPELA (3X13-1/2"X16"-K)	1	1	1	UR



69D0100-1200



66T0100-9240

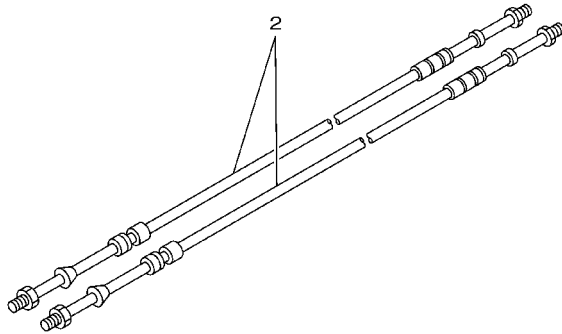
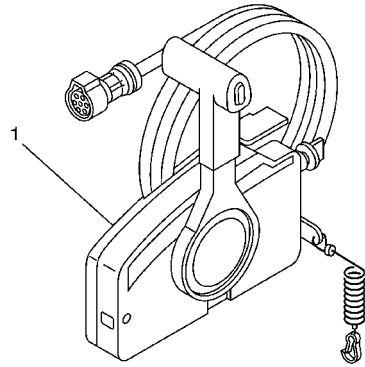
FIG. 24 FUEL TANK

DEPOSITO DE COMBUSTIBLE

REF. NO.	PART NO. CODIGO NO.	DESCRIPTION DESCRIPTION	MHD	WHD	WD	REMARKS OBSERVACION
1	6YJ-24201-00	FUEL TANK ASSY (24L) TANQUE DEL COMBUSTIBLE (24L)	1	1	1	AP
	6YJ-24201-10	FUEL TANK ASSY (24L) TANQUE DEL COMBUSTIBLE (24L)	1	1	1	AP FOR CHINA WITH INDICATOR
2	6YJ-24610-01	.CAP ASSY .TAPA COMPLETA	1	1	1	
3	6YJ-24260-00	.FUEL METER ASSY .MEDIDOR DE COMBUSTIBLE COMPL.	1	1	1	
	6Y1-24260-12	.FUEL METER ASSY .MEDIDOR DE COMBUSTIBLE COMPL.	1	1	1	FOR CHINA WITH INDICATOR
4	98586-05016	.SCREW, PAN HEAD .TORNILLO DE CABEZA CON PLANA	4	4	4	
5	6Y1-24329-00	.SEAL .SELLO	4	4	4	
6	6Y1-24268-00	.GASKET, FUEL METER .EMPAQ MEDIDOR DE COMBUSTIBLE	1	1	1	
7	6YJ-24167-00	.STRAINER .COLADOR	1	1	1	
8	61J-24306-02	FUEL PIPE COMP. 1 TUBO COMBUST. COMPL 1	1	1	1	AP
9	90445-11M06	.HOSE (L=2050) .MANGUERA (L=2050)	1	1	1	
10	61J-24360-00	.PRIMER PUMP ASSY .SOPORTE BOMBA	1	1	1	
11	90445-11M05	.HOSE (L=850) .MANGUERA (L=850)	1	1	1	
12	650-24351-51	BAND 1 .ABRAZADERA 1	4	4	4	
13	6G1-24305-03	FUEL PIPE JOINT COMP. 2 .CONECTOR MANGUERA COMBUST.2	1	1	1	
14	93210-08287	.O-RING .ANILLO O	1	1	1	
15	6Y1-24305-04	FUEL PIPE JOINT COMP. 2 .CONECTOR MANGUERA COMBUST.2	1	1	1	
16	93210-08287	.O-RING .ANILLO O	1	1	1	

FIG. 26 REMOTE CONTROL BOX

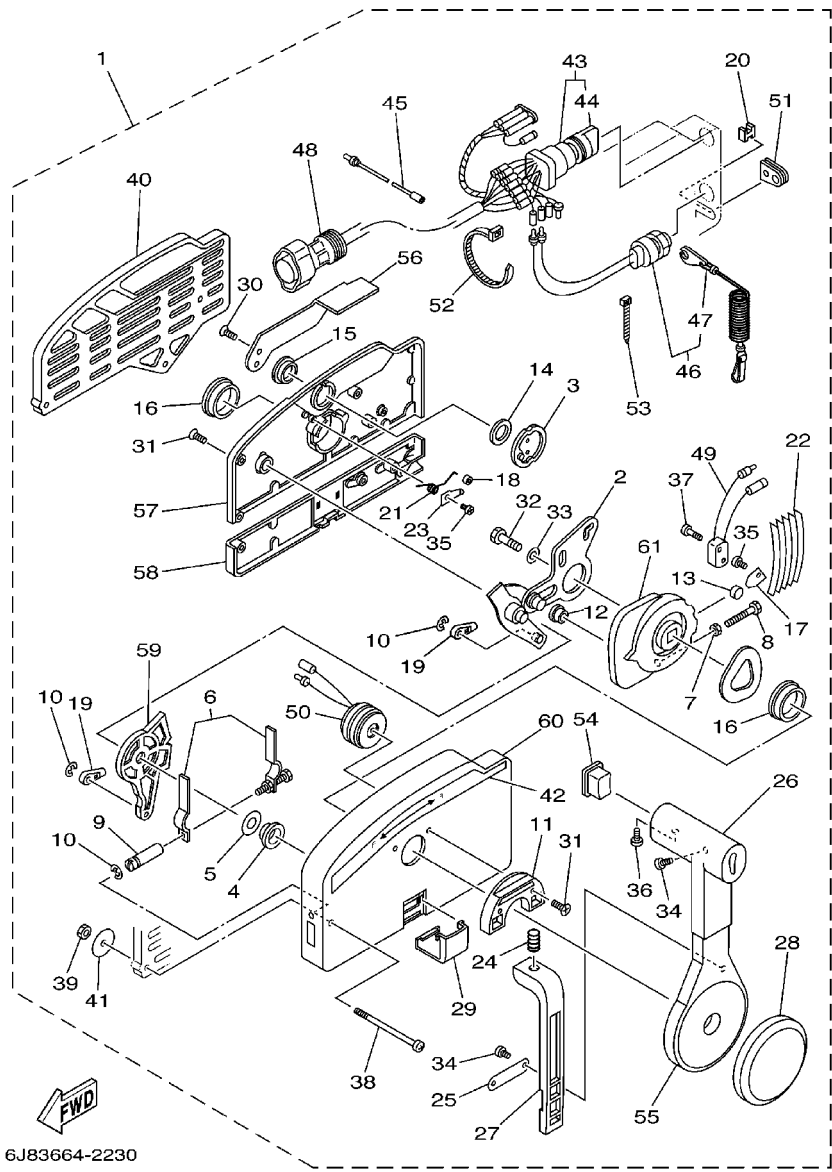
CONTROL REMOTO COMPL.



REF. NO.	PART NO. CODIGO NO.	DESCRIPTION DESCRIPTION	MHD	WHD	WD	REMARKS OBSERVACION
1	703-48230-15	REMOTE CONTROL ASSY CONTROL REMOTO COMPL.			1	AP
2	701-48320-20	CABLE, REMOTE CONTROL L=13F CABLE CONTROL REMOTO L=13F			2	UR
	701-48320-50	CABLE, REMOTE CONTROL L=15F CABLE CONTROL REMOTO L=15F			2	UR



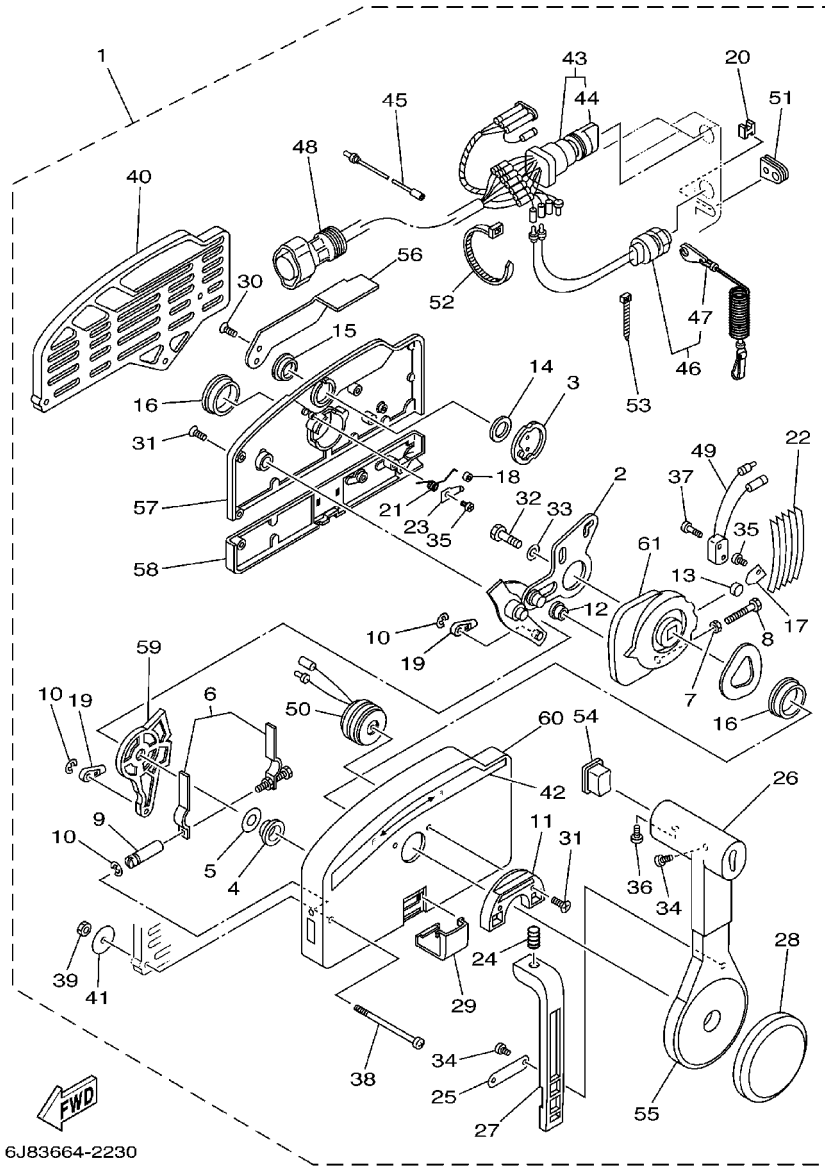
67M0100-8280



6J83664-2230

FIG. 27 REMOTE CONTROL ASSY CONTROL REMOTO COMPL.

REF. NO.	PART NO. CODIGO NO.	DESCRIPTION DESCRIPTION	MHD	WHD	WD	REMARKS OBSERVACION
1	703-48230-15	REMOTE CONTROL ASSY CONTROL REMOTO COMPL.			1	AP
2	703-48261-11	.ARM, THROTTLE .BRAZO ACELERADOR			1	
3	703-48153-00	.SHAFT, FREE ACCEL. .EJE			1	
4	703-48235-00	.BUSHING .BUJE			1	
5	703-48268-00	.SPACER .ESPACIADOR 3			1	
6	703-48264-00	.THROTTLE, FRICTION .FRICCION ACELERADOR			1	
7	95380-05600	.NUT .TUERCA			1	
8	97380-05025	.BOLT .PERNO			1	
9	703-48265-00	.SHAFT, FRICTION .EJE FRICCION			1	
10	93430-06024	.CIRCLIP .BOLA			3	
11	703-48245-00	.PLATE, LOCK .PLACA CERRADURA			1	
12	703-48252-00	.ROLLER, CAM .RODILLO LEVA			1	
13	701-48248-00	.ROLLER, FREE ACCEL. .RODILLO ACELERADOR LIBRE			1	
14	703-48198-00	.WASHER, WAVE .RONDANA ONDULADA 3			1	
15	703-48243-00	BUSHING BUJE 3			1	
16	703-48236-00	BUSHING 1 BUJE			2	
17	703-48189-00	.RETAINER .RETENEDOR			1	
18	703-48234-00	.ROLLER, DETENT .RODILLO			1	
19	703-48345-01	.CABLE END, REMOTE CONTROL 2 .TERMINAL CABLE DE CONTROL REM			2	
20	703-48358-00	.ANCHOR, CABLE ABRAZADERA CABLE			1	
21	703-48244-00	.SPRING, FREE ACCEL. .RESORTE ACELERADOR LIBRE			1	
22	703-48238-00	.SPRING, DETENT .RESORTE			5	
23	703-48246-00	.SPACER .ESPACIADOR			1	
24	703-48227-00	.SPRING, NEUTRAL LOCK .RESORTE DE SEGURO			1	
25	703-48226-00	.PLATE, STOPPER .PLACA RETEN			1	
26	703-48222-00	.GRIP, CONTROL LEVER .MANGO DE PALANCA CONTROL			1	SINGLE
27	703-48223-00	.LOCK, NEUTRAL .CERRADURA NEUTRO			1	



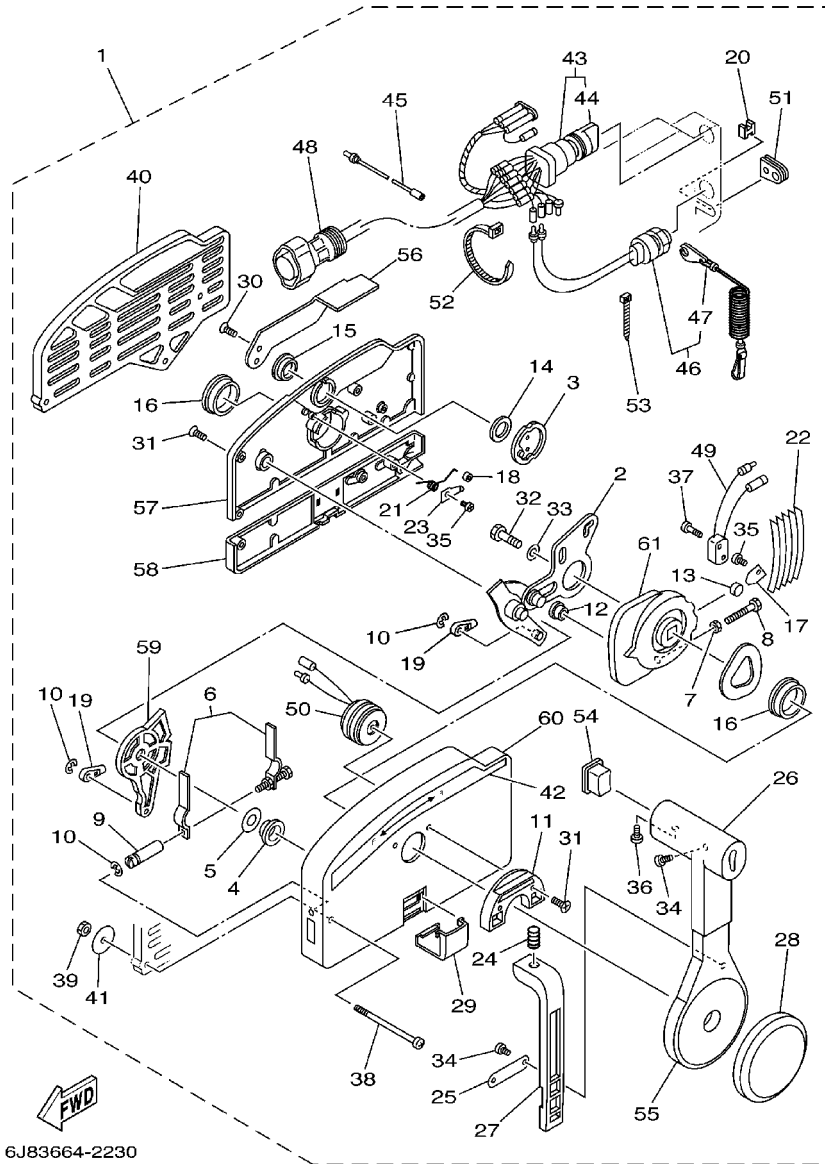
6J83664-2230

FIG. 27 REMOTE CONTROL ASSY CONTROL REMOTO COMPL.

REF. NO.	PART NO. CODIGO NO.	DESCRIPTION DESCRIPTION	MHD	WHD	WD	REMARKS OBSERVACION
28	703-48225-00	.COVER .CUBIERTA			1	
29	703-48219-00	.COVER, LEAD .CUBIERTA			1	
30	703-48281-00	.SCREW .TORNILLO 1			2	
31	703-48282-00	.SCREW .TORNILLO 2			7	
32	97380-08030	.BOLT .PERNO			1	
33	92990-08600	.WASHER, PLATE .ARANDELA			1	
34	98580-04010	.SCREW, PAN HEAD .TORNILLO DE CABEZA CON PLANA			3	
35	98580-04006	.SCREW, PAN HEAD .TORNILLO DE CABEZA CON PLANA			2	
36	98580-05010	.SCREW, PAN HEAD .TORNILLO DE CABEZA CON PLANA			1	
37	98580-03015	.SCREW, PAN HEAD .TORNILLO DE CABEZA CON PLANA			2	
38	703-48291-10	.SCREW (M6) .TORNILLO (M6)			3	
39	95380-06600	.NUT, HEXAGON .TUERCA			3	
40	703-48293-10	.SPACER, REMOTE CONTROL .ESPACIADOR			1	SINGLE
41	701-48287-00	.WASHER .ARANDELA			3	
42	703-48215-00	.GRAPHIC .CALCOMANIA 1			1	
43	703-82510-33	.MAIN SWITCH ASSY .CONJUNTO DE LLAVE IGNICION			1	
44	703-82577-00	.CAP, KEY .TAPA			1	
45	703-82531-00	.WIRE, LEAD .CABLE CONDUCTOR			1	
46	688-82575-01	.ENGINE STOP SWITCH ASSY .INTERRUPTOR DE PARADA COMPL			1	
47	682-82556-00	.STOPPER .RETENER			1	
48	688-82586-21	.EXTENSION, WIRE HARNESS .EXTENSION, CONJ. DE CABLES			1	L:5M (7P)
49	703-82540-00	.NEUTRAL SWITCH ASSY .INTERRUPTOR NEUTRAL COMPL			1	
50	703-83383-02	.BUZZER .ZUMBADOR			1	
51	703-48284-00	.GROMMET .TAPON 1			1	
52	703-82591-00	.BAND .BANDA			1	
53	703-82592-00	.BAND .BANDA			1	
54	703-48224-00	.COVER, CONTROL LEVER .CUBIERTA DE PALANCA CONTROL			1	WITHOUT PT/T SW.

FIG. 27 REMOTE CONTROL ASSY

CONTROL REMOTO COMPL.



6J83664-2230

REF. NO.	PART NO. CODIGO NO.	DESCRIPTION DESCRIPTION	MHD	WHD	WD	REMARKS OBSERVACION
55	703-48221-00	.LEVER, CONTROL .PALANCA CONTROL			1	
56	703-48152-00	.KNOB, FREE ACCEL. .PERILLA			1	
57	703-48212-00	.BACK PLATE 1 .PLACA TRASERA 1			1	
58	703-48213-00	.BACK PLATE 2 .PLACA TRASERA 2			1	
59	703-48271-00	.ARM, SHIFT .BRAZO CAMBIADOR			1	
60	703-48211-01	.HOUSING, 1 .CAJA			1	
61	703-48232-00	.GEAR .ENGRANAJE 1			1	

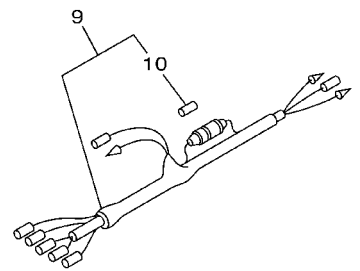
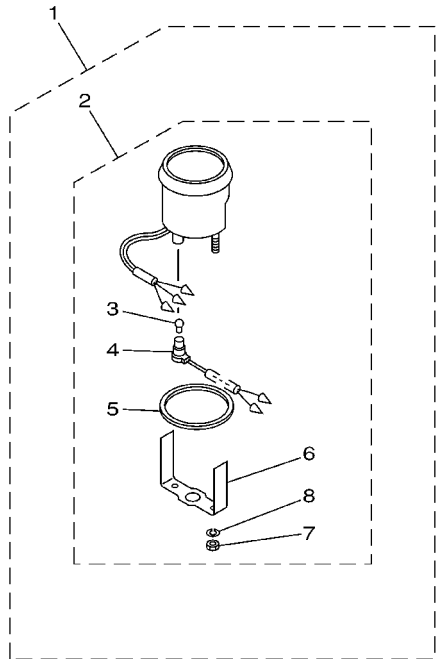


FIG. 28 METER

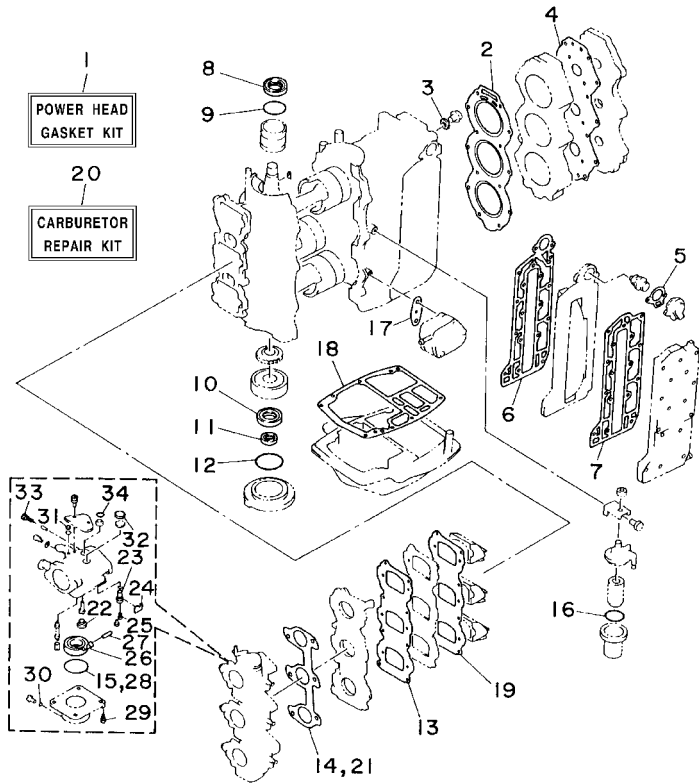
MEDIDOR

REF. NO.	PART NO. CODIGO NO.	DESCRIPTION DESCRIPTION	MHD	WHD	WD	REMARKS OBSERVACION
1	6Y5-W0080-12	TACHOMETER KIT JUEGO DE TACOMETRO			1	AP FOR CHINA
2	6Y5-83540-14	.TACHOMETER ASSY .TACOMETRO COMPLETO			1	WITHOUT OIL LAMP
3	6Y5-83517-00	..BULB (T10, 12V-1.7W) ..BOMBILLA (12V-1.7W, T10)			1	
4	6Y5-83536-10	..SOCKET, METER ..ENCASTRE DE MEDIDOR			1	
5	6Y5-83523-00	..DAMPER ..AMORTIGUADOR			1	
6	6Y5-83514-00	..PLATE, FITTING ..PLACA ACCESORIA			1	
7	95380-05600	..NUT ..TUERCA			2	
8	92990-05100	..WASHER, SPRING ..ARANDELA			2	
9	6Y5-83553-00	WIRE, LEAD CABLE CONDUCTOR			1	AP FOR CHINA
10	1E6-82151-00	..FUSE (10A) ..FUSIBLE			1	

6K50200-0270

FIG. 29 REPAIR KIT 1

ESTUCHE REPARATION 1



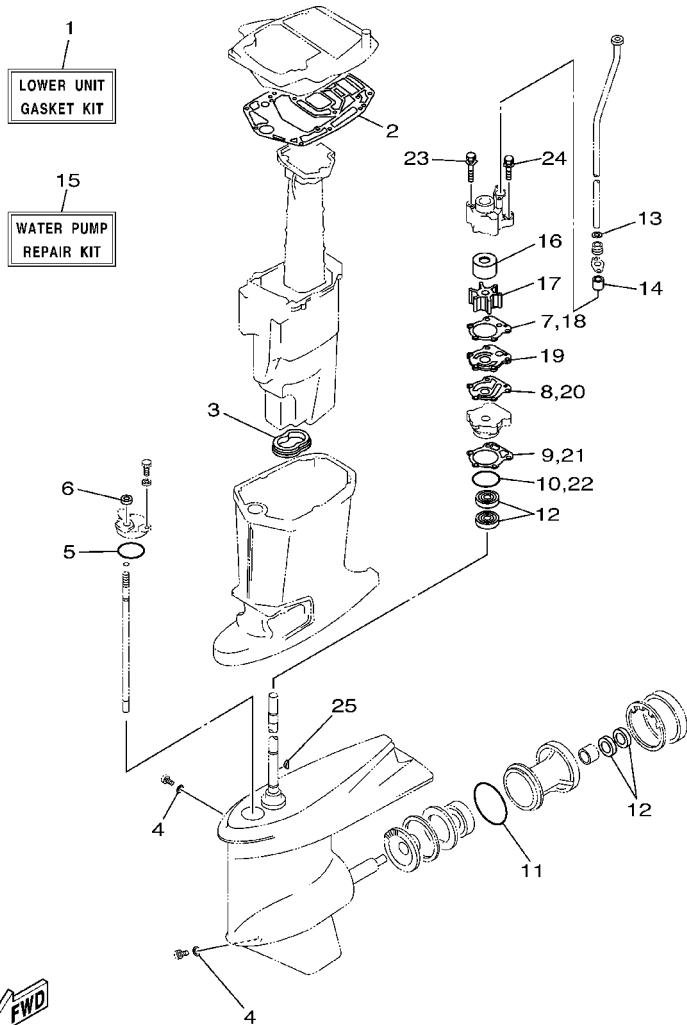
REF. NO.	PART NO. CODIGO NO.	DESCRIPTION DESCRIPTION	MHD	WHD	WD	REMARKS OBSERVACION
1	69D-W0001-00	POWER HEAD GASKET KIT JUEGO DE EMPAQUE DE MOTOR	1	1	1	
2	6H3-11181-A1	.GASKET, CYLINDER HEAD 1 .JUNTA, DE CULATA 1	1	1	1	
3	90430-14115	.GASKET .JUNTA	1	1	1	
4	6H3-11193-A1	.GASKET, HEAD COVER 1 .EMPAQUE	1	1	1	
5	6H3-12414-A1	.GASKET, COVER .EMPAQUE	1	1	1	
6	6H3-41112-A0	.GASKET, EXHAUST INNER COVER .EMPAQUE	1	1	1	
7	6H3-41114-A0	.GASKET, EXHAUST OUTER COVER .EMPAQUE	1	1	1	
8	93102-36M24	.OIL SEAL .SELLO ACEITE	1	1	1	
9	93210-46M16	.O-RING .ANILLO O	1	1	1	
10	93102-30M23	.OIL SEAL .SELLO ACEITE	1	1	1	
11	93106-18M01	.OIL SEAL .SELLO ACEITE	1	1	1	
12	93210-65M50	.O-RING .ANILLO O	1	1	1	
13	6H3-13621-A1	.GASKET, VALVE SEAT .JUNTA, DE VALV.DE EMPAQUE	1	1	1	
14	6H3-14198-A1	.GASKET .EMPAQUE	1	1	1	
15	6G1-14984-00	O-RING EMPAQUE CAMARA DE BOIA	3	3	3	
16	61A-24564-00	O-RING ANILLO O	1	1	1	
17	650-24431-A0	.GASKET, FUEL PUMP 1 .EMPAQUE BOMBA COMBUST 1	1	1	1	
18	6H3-45113-A0	.GASKET, UPPER CASING .EMPAQUE	1	1	1	
19	6H3-13622-A1	.GASKET, VALVE SEAT .EMPAQUE DE ASIENTO VALVULA	1	1	1	
20	6H3-W0093-02	CARBURETOR REPAIR KIT KIT REPARACION CARBURADOR	1	1	1	
21	6H3-14198-A1	.GASKET .EMPAQUE	1	1	1	
22	676-14966-00	.CAP .TAPA	3	3	3	
23	6H3-14590-00	.NEEDLE VALVE ASSY .VALVULA DE AGUJA COMPLETA	3	3	3	
24	663-14159-00	.CLIP .PRESILLA	3	3	3	
25	676-14186-00	.PIN, FLOAT .PASADOR DE LA BOYA	3	3	3	
26	6G1-14985-00	.FLOAT .BOIA	3	3	3	
27	688-14548-00	.PIN, FLOAT ARM .PASADOR DE BRAZO DE BOIA	3	3	3	



6H20010-4180

FIG. 30 REPAIR KIT 2

ESTUCHE REPARATION 2



FWD
69D0100-1230

REF. NO.	PART NO. CODIGO NO.	DESCRIPTION DESCRIPTION	MHD	WHD	WD	REMARKS OBSERVACION
1	69D-W0001-20	LOWER UNIT GASKET KIT JUEGO DE EMPAQUE UNIDAD INFER.	1	1	1	
2	6H3-45114-A1	.GASKET, UPPER CASING .EMPAQUE	1	1	1	
3	6H3-45123-00	.GASKET, MUFFLER .EMPAQUE SILENCIADOR	1	1	1	
4	90430-08020	.GASKET .JUNTA	2	2	2	
5	93210-49046	.O-RING .ANILLO O	1	1	1	
6	93106-09014	.OIL SEAL .SELLO ACEITE	1	1	1	
7	688-44315-A0	.GASKET, WATER PUMP .EMPAQUE	1	1	1	
8	688-44324-A0	.GASKET, CARTRIDGE .EMPAQUE	1	1	1	
9	688-44316-A0	.GASKET, WATER PUMP .EMPAQUE	1	1	1	
10	93210-46044	.O-RING .ANILLO O	1	1	1	
11	93210-85M97	.O-RING .ANILLO O	1	1	1	
12	93101-25M03	.OIL SEAL .SELLO ACEITE	4	4	4	
13	90430-12072	.GASKET .JUNTA	1	1	1	
14	663-44366-00	.DAMPER, WATER SEAL .GOMA DEL SELLO DE AGUA	1	1	1	
15	69D-W0078-00	WATER PUMP REPAIR KIT ESTUCHE REPARACION BOMBA AGUA	1	1	1	
16	69D-44322-00	.INSERT, CARTRIDGE .CARTUCHO	1	1	1	
17	688-44352-03	.IMPELLER .IMPULSOR	1	1	1	
18	688-44315-A0	.GASKET, WATER PUMP .EMPAQUE	1	1	1	
19	688-44323-40	.OUTER PLATE, CARTRIDGE .PLACA EXTERIOR DEL CARTUCHO	1	1	1	
20	688-44324-A0	.GASKET, CARTRIDGE .EMPAQUE	1	1	1	
21	688-44316-A0	.GASKET, WATER PUMP .EMPAQUE	1	1	1	
22	93210-46044	.O-RING .ANILLO O	1	1	1	
23	90119-08M16	.BOLT, WITH WASHER .TORNILLO CON ARANDELA	2	2	2	
24	90119-08M13	.BOLT, WITH WASHER .TORNILLO CON ARANDELA	2	2	2	
25	90280-04M04	.KEY, WOODRUFF .CUNA WOODRUFF	1	1	1	

NUMERICAL INDEX
INDICE NUMERICO

PART NO. CODIGO NO.	REF. NO.	PART NO. CODIGO NO.	REF. NO.	PART NO. CODIGO NO.	REF. NO.	PART NO. CODIGO NO.	REF. NO.	PART NO. CODIGO NO.	REF. NO.	PART NO. CODIGO NO.	REF. NO.
69D-W0001-00	29 - 1	6H3-12413-00-1S	2 - 32	692-14923-00	29 - 33	663-15794-00	7 - 52	6H3-41114-A0	29 - 7	6H3-42652-00	1 - 5
69D-W0001-20	30 - 1	6H3-12414-A1	2 - 33	676-14943-34	5 - 5	6YJ-24167-00	24 - 7	6H2-41131-00-5B	20 - 11	663-42662-00	1 - 4
688-W0004-00	4 - 2		29 - 5	6K5-14945-36	5 - 35	6YJ-24201-00	24 - 1	6H3-41137-01-94	20 - 5	69D-42677-H0	1 - 18
6K5-W0070-H0	1 - 15	677-13437-08	1 - 17	6H2-14947-02	5 - 4	6YJ-24201-10	24 - 1	6H3-41213-01	16 - 22	6K5-42678-H0	1 - 16
69D-W0078-00	30 - 15	6H2-13610-00	4 - 1	6H4-14948-15	5 - 6	6YJ-24260-00	24 - 3	6H3-41217-00	4 - 12	6H3-42711-05-4D	14 - 1
6Y5-W0080-12	28 - 1	6H3-13621-A1	4 - 6	6K5-14950-21	5 - 36	6Y1-24260-12	24 - 3	662-41237-01	16 - 14	6H3-42711-14-4D	14 - 1
69D-W0090-00-1S	2 - 1		29 - 13	676-14966-00	5 - 7	6Y1-24268-00	24 - 6		16 - 20	648-42715-00	16 - 27
6H3-W0093-02	29 - 20	6H3-13622-A1	4 - 8		29 - 22	6G1-24304-02	6 - 1	682-41237-50	16 - 19	6H3-42716-02	14 - 12
692-W1571-02	7 - 1		29 - 19	6H2-14980-00	5 - 15	6G1-24305-03	24 - 13	6H3-41238-00	16 - 1	6H3-42717-00	14 - 13
656-W2810-02	6 - 48	6H3-13624-00-94	4 - 7	6G1-14984-00	5 - 14	6Y1-24305-04	24 - 15	6H3-41257-00	4 - 13	6H3-42718-00	14 - 34
6H3-11111-01-1S	2 - 24	6H3-13641-03-94	4 - 5		29 - 15	61J-24306-02	24 - 8	661-41262-02	4 - 14	6E5-42724-00	14 - 14
6K5-11119-01	2 - 20	663-14126-00	5 - 19		29 - 28	69D-24311-00	6 - 4		4 - 17	6H3-42725-00	14 - 15
6H3-11181-A1	2 - 25		29 - 31	6G1-14985-00	5 - 12	663-24312-01	2 - 40	6H3-41271-00	4 - 15	6H3-42725-20	14 - 15
	29 - 2	688-14126-00	5 - 21		29 - 26	69D-24312-00	6 - 23	689-41273-00	4 - 16	6K5-42725-00	14 - 15
6H3-11191-00-1S	2 - 26		29 - 32	6H3-14992-00	5 - 17	6H3-24313-00	6 - 44	6H4-41611-00	8 - 12	6H4-42726-00	14 - 24
6H3-11193-A1	2 - 27	663-14159-00	5 - 9	69D-15100-00-1S	2 - 2	6H3-24314-00	6 - 46	6H3-41612-00	8 - 13	6H3-42727-00	14 - 19
	29 - 4		29 - 24	6H3-15359-00-94	3 - 1	6Y1-24329-00	24 - 5	6H3-41612-10	8 - 16	6H3-42738-01-5B	14 - 16
6H3-11325-01	2 - 16	676-14186-00	5 - 10	692-15711-00	7 - 2	650-24351-51	24 - 12	6K5-41618-00	8 - 17	6H3-42741-01-4D	14 - 28
6H3-11327-00-1S	2 - 17		29 - 25	663-15713-00	7 - 5	61J-24360-00	24 - 10	6H3-41631-00	16 - 2	6H3-42768-00	14 - 23
6H3-11328-00	2 - 18	6H3-14198-A1	4 - 11	663-15714-01	7 - 6	688-24378-00	6 - 43	6H3-41632-00	16 - 8	6H3-42771-01-4D	14 - 29
650-11370-00	2 - 4		29 - 14	663-15715-00	7 - 12	692-24410-00	6 - 26	6H3-41633-00	16 - 11	6G5-42791-10	14 - 35
688-11370-00	2 - 3		29 - 21	663-15716-01	7 - 13	663-24411-00	6 - 31	679-41636-00	16 - 15	6G5-42791-10	14 - 35
69D-11400-00	3 - 7	6K5-14301-03	5 - 1	663-15719-00	7 - 15	692-24411-00	6 - 28	663-42111-02-4D	15 - 1	6H3-42813-00	14 - 7
6K5-11401-00	3 - 8	6K5-14302-03	5 - 2	6K5-15713-00	7 - 46	6A0-24412-02	6 - 37	692-42111-21-4D	15 - 1	6H3-42815-01-4D	14 - 3
6K5-11402-00	3 - 15	6K5-14303-03	5 - 3	663-15726-01	7 - 10	6A0-24413-00	6 - 27	663-42115-00	15 - 10	6H3-42816-00	14 - 9
6K5-11403-00	3 - 22	6A0-14325-00	6 - 36	663-15734-01	7 - 14	6A0-24421-01	6 - 35	692-42115-00	15 - 10	6H3-42817-01-4D	14 - 4
6K5-11412-00	3 - 9	6H3-14413-10	4 - 18	663-15735-01	7 - 50	650-24431-A0	6 - 38	664-42119-00	15 - 2	6H3-42818-00	14 - 10
6K5-11422-00	3 - 10	6H3-14440-02	4 - 19	663-15736-00	7 - 55		29 - 17	692-42121-01-4D	15 - 20	63D-43111-01-4D	18 - 1
	3 - 16	6H3-14457-01	4 - 20	663-15739-00	7 - 4	648-24434-01	6 - 29	663-42126-01	15 - 56	697-43111-05-4D	17 - 1
6K5-11432-00	3 - 17	624-14485-00	2 - 5	663-15741-02	7 - 8	648-24435-02	6 - 32	663-42133-01	15 - 14	63D-43112-01-4D	18 - 8
	3 - 23	6K5-14488-00	4 - 23	663-15744-00	7 - 11	61A-24469-00	6 - 13	663-42134-03-94	15 - 15	697-43112-03-4D	17 - 4
6K5-11442-00	3 - 24	63V-14523-00	5 - 29	663-15752-00	7 - 18	61A-24521-00	6 - 8	663-42135-01	15 - 13	648-43114-01	17 - 7
6H3-11515-00	3 - 34	6H2-14527-01	5 - 23	663-15753-00	7 - 19	65L-24531-01	6 - 9	6K5-42137-00	15 - 4		18 - 11
6K5-11601-02	3 - 38	663-14527-00	5 - 20	663-15754-00	7 - 9	65L-24558-00	6 - 14	663-42138-00	15 - 11	663-43116-01	17 - 8
6K5-11601-12	3 - 38	688-14527-00	5 - 22	689-15755-01	7 - 23	61A-24560-04	6 - 7	6F6-42177-A0	15 - 3		18 - 12
6K5-11601-22	3 - 38	688-14548-00	5 - 13	6K5-15758-01-94	7 - 40	61A-24563-00	6 - 12	6H3-42191-01	15 - 41	663-43118-01-4D	17 - 10
6K5-11631-03-95	3 - 37		29 - 27	6K5-15761-00	1 - 14	61A-24564-00	6 - 10	6H3-42192-00	15 - 43		18 - 14
6H3-11633-00	3 - 39	679-14555-00	5 - 26	6K5-15762-00	7 - 44		29 - 16	6H3-42510-02-4D	19 - 1	688-43124-02	17 - 41
688-11634-10	3 - 40	6H2-14578-00	5 - 31	663-15764-00	7 - 7	69D-24566-01	6 - 18	69D-42510-10-4D	19 - 1	6E5-43126-02	17 - 37
6K5-11635-03	3 - 37	6H3-14578-00	5 - 32	6K5-15770-01	7 - 47	61A-24577-01	6 - 11	69D-42515-00	15 - 51	69D-43126-00	18 - 40
6K5-11636-03	3 - 37	6H3-14590-00	5 - 8	6K5-15771-00-94	7 - 33	6YJ-24610-01	24 - 2	663-42518-00	15 - 47	63D-43128-01-4D	18 - 15
6K5-11651-00	3 - 11		29 - 23	6K5-15772-00-94	7 - 36	692-26301-03	15 - 19	67G-42528-00	15 - 48	697-43128-01-4D	17 - 11
	3 - 18	6K5-14592-00	5 - 27	6K5-15773-01	7 - 39	6A1-28176-00	14 - 36	624-42542-00	7 - 42	63D-43131-01	18 - 19
	3 - 25	6H3-14711-00-5B	20 - 14	648-15773-00	7 - 3	6H3-41111-01-1S	2 - 35	69D-42610-H0-4D	1 - 1	688-43131-03	17 - 17
6K5-11681-00	3 - 12	6H3-14711-10-5B	20 - 14	6K5-15774-00	7 - 59	6H3-41112-A0	2 - 36	6H3-42613-01-4D	1 - 10	6G5-43144-00	18 - 50
	3 - 19	6H3-14737-00	20 - 20	6F5-15779-02	7 - 25		29 - 6	6H3-42615-00	1 - 13	6E5-43145-01	25 - 9
	3 - 26	6H3-14737-10	20 - 20	697-15789-00	7 - 45	6H3-41113-02-1S	2 - 37	6H3-42647-00-94	1 - 2	6G5-43145-01	17 - 21
6H3-12411-10	2 - 31	692-14923-00	5 - 25	663-15791-00	7 - 20	6H3-41114-A0	2 - 38	6H3-42649-00-94	1 - 3		18 - 23

NUMERICAL INDEX
INDICE NUMERICO

PART NO. CODIGO NO.	REF. NO.	PART NO. CODIGO NO.	REF. NO.	PART NO. CODIGO NO.	REF. NO.	PART NO. CODIGO NO.	REF. NO.	PART NO. CODIGO NO.	REF. NO.	PART NO. CODIGO NO.	REF. NO.
6G5-43148-00	18 - 28	688-44323-40	22 - 30	688-45311-06-4D	22 - 2	688-45577-01-18	21 - 62	688-45978-60-98	23 - 18	703-48345-01	27 - 19
688-43160-01	18 - 31		30 - 19	688-45321-00	21 - 16		22 - 53	688-45987-01	23 - 13	703-48358-00	27 - 20
697-43160-00	17 - 30	688-44324-A0	21 - 32		22 - 16	688-45577-01-30	21 - 62	688-45997-01	23 - 14	6H3-48511-51-4D	19 - 24
688-43165-00	17 - 31		22 - 31	688-45331-00-94	21 - 60		22 - 53	703-48152-00	27 - 56	6H3-48538-00	16 - 41
	18 - 32		30 - 8		22 - 51	688-45577-01-40	21 - 62	703-48153-00	27 - 3	688-61350-10	25 - 1
69D-43170-10-4D	18 - 35		30 - 20	688-45341-10	21 - 10		22 - 53	703-48189-00	27 - 17	688-61351-10	25 - 2
697-43170-03-4D	17 - 34	688-44341-01-94	21 - 27		22 - 10	688-45577-01-50	21 - 62	703-48198-00	27 - 14	6E5-61355-00	25 - 8
6H5-43181-03	18 - 24		22 - 26	688-45371-02	23 - 8		22 - 53	703-48211-01	27 - 60	6K5-81332-00	8 - 18
688-43181-04	17 - 22	688-44352-03	21 - 25	688-45375-00	23 - 7	688-45587-01-10	21 - 5	703-48212-00	27 - 57	6K5-81332-60	8 - 18
6H5-43185-03	18 - 25		22 - 24	663-45376-00-94	23 - 6		22 - 5	703-48213-00	27 - 58	6H3-81800-11	13 - 1
688-43185-04	17 - 23		30 - 17	6J8-45378-00	21 - 21	688-45587-01-12	21 - 5	703-48215-00	27 - 42	6H3-81807-10	13 - 3
69D-43311-11-4D	18 - 16	69D-44361-00	23 - 2	688-45383-02	21 - 68		22 - 5	703-48219-00	27 - 29	689-81809-11	13 - 7
697-43311-03-4D	17 - 14	69D-44361-10	23 - 2		22 - 59	688-45587-01-15	21 - 5	703-48221-00	27 - 55	6H3-81810-10	13 - 9
663-43318-00	17 - 29	663-44366-00	23 - 10	688-45384-00	21 - 69		22 - 5	703-48222-00	27 - 26	689-81811-11	13 - 12
682-43318-01	18 - 48		30 - 14		22 - 60	688-45587-01-18	21 - 5	703-48223-00	27 - 27	688-81812-11	13 - 11
688-43631-00	17 - 35	663-44367-00	23 - 1	69D-45501-00	21 - 36		22 - 5	703-48224-00	27 - 54	689-81813-10	13 - 13
69D-43631-00	18 - 36	69D-44391-00	14 - 2	69D-45501-10	21 - 36	688-45587-01-30	21 - 5	703-48225-00	27 - 28	6H3-81820-11	13 - 14
63D-43691-00	18 - 18	688-44511-00-94	19 - 32		22 - 35		22 - 5	703-48226-00	27 - 25	689-81826-10	13 - 15
688-43691-01	17 - 16	688-44514-00-94	19 - 25	688-45536-01	21 - 4		22 - 5	703-48227-00	27 - 24	6H3-81830-10	13 - 4
697-44113-00	15 - 28	6H3-44551-01-4D	19 - 7		22 - 4	688-45587-01-40	21 - 5	703-48230-15	26 - 1	689-81831-00	13 - 5
6H3-44117-00-94	16 - 30	69D-44551-10-4D	19 - 7	6K5-45551-00	21 - 37	688-45587-01-50	21 - 5		27 - 1	689-81840-11	13 - 10
6J2-44117-01-94	16 - 30	6H3-44552-03-94	19 - 16		22 - 36		22 - 5	703-48232-00	27 - 61	689-81847-11	13 - 6
6K5-44120-01	16 - 26	6H3-44553-01-4D	19 - 21	6K5-45560-00	21 - 39	6H1-45611-01	21 - 40	703-48234-00	27 - 18	689-81850-12	13 - 8
6K5-44120-11	16 - 26	687-44555-00-94	19 - 9		22 - 38	688-45611-00	22 - 39	703-48235-00	27 - 4	689-81857-11	13 - 2
6H3-44121-01	16 - 36	663-44575-00	19 - 14	688-45567-01-10	21 - 7	6H1-45631-01	21 - 41	703-48236-00	27 - 16	6H3-81916-00	9 - 22
688-44122-00	16 - 39		19 - 31		22 - 7	688-45631-01	22 - 40	703-48238-00	27 - 22	6H3-81922-00	9 - 10
6H1-44144-00	21 - 55	6H3-45111-01-4D	20 - 1	688-45567-01-12	21 - 7	688-45633-00	21 - 52	703-48243-00	27 - 15	688-81950-10	10 - 6
6K5-44144-00	22 - 47	6H3-45111-11-4D	20 - 1		22 - 7		22 - 45	703-48244-00	27 - 21		11 - 5
6H1-44151-00	21 - 54	6H3-45113-A0	20 - 7	688-45567-01-15	21 - 7	6H1-45634-02	21 - 43	703-48245-00	27 - 11	6G1-81970-61	10 - 1
663-44151-00	22 - 46		29 - 18		22 - 7	688-45634-00	22 - 41	703-48246-00	27 - 23		11 - 1
692-44159-01	15 - 32	6H3-45114-A1	20 - 17	688-45567-01-18	21 - 7	6H1-45635-00	21 - 47	701-48248-00	27 - 13	6H3-82105-01	10 - 11
663-44173-00	15 - 33		30 - 2		22 - 7	688-45635-00	22 - 43	703-48252-00	27 - 12		11 - 10
6K5-44191-00	15 - 29	6H3-45123-00	20 - 16	688-45567-01-30	21 - 7	6H1-45641-01	21 - 53	703-48251-11	27 - 2	6H3-82117-00	10 - 12
688-44194-00	16 - 5		30 - 3		22 - 7	6H1-45668-00	21 - 46	703-48264-00	27 - 6		11 - 11
688-44311-01	21 - 22	6H3-45127-00	20 - 15	688-45567-01-40	21 - 7	688-45930-02-98	23 - 18	703-48265-00	27 - 9	703-82119-00	14 - 25
	22 - 21	6H3-45155-00	20 - 3		22 - 7	688-45932-60-98	23 - 18	703-48268-00	27 - 5	688-82127-02	19 - 23
688-44315-A0	21 - 24	696-45211-01-4D	20 - 21	688-45567-01-50	21 - 7	6E5-45941-00-EL	23 - 18	703-48271-00	27 - 59	697-82127-01	19 - 23
	22 - 23	6H1-45214-00	21 - 12		22 - 7	6E5-45943-00-EL	23 - 18	703-48281-00	27 - 30	6E5-82148-00	17 - 5
	30 - 7		22 - 12	6H3-45571-00	21 - 59	6E5-45945-01-EL	23 - 18	703-48282-00	27 - 31	6H1-82148-00	18 - 5
	30 - 18	6H1-45215-00	21 - 13	6K5-45571-00	22 - 50	6E5-45947-00-EL	23 - 18	703-48284-00	27 - 51	63D-82148-00	18 - 9
688-44316-A0	21 - 30		22 - 13	688-45576-00	21 - 63	6E5-45949-00-EL	23 - 18	701-48287-00	27 - 41	1E6-82151-00	28 - 10
	22 - 29	63D-45251-00	18 - 2		22 - 54	6E5-45952-00-EL	23 - 18	703-48291-10	27 - 38	6G1-82151-00	10 - 2
	30 - 9	663-45251-00	17 - 2	688-45577-01-10	21 - 62	6E5-45954-00-EL	23 - 18	703-48293-10	27 - 40		11 - 2
	30 - 21		18 - 38		22 - 53	6E5-45956-00-EL	23 - 18	701-48320-20	26 - 2	6H3-82164-00	10 - 9
69D-44322-00	21 - 23	69D-45300-00-4D	21 - 1	688-45577-01-12	21 - 62	688-45970-03-98	23 - 18	701-48320-50	26 - 2		11 - 8
	22 - 22	69D-45300-10-4D	21 - 1		22 - 53	688-45972-02-98	23 - 18	700-48339-00	15 - 44	6A0-82317-00	7 - 41
	30 - 16	69D-45300-40-4D	22 - 1	688-45577-01-15	21 - 62	688-45974-02-98	23 - 18	663-48344-00	16 - 17	6G1-82370-21	9 - 28
688-44323-40	21 - 31	6H1-45301-03-4D	21 - 2		22 - 53	688-45976-01-98	23 - 18		16 - 40	663-82370-01	9 - 28

NUMERICAL INDEX
INDICE NUMERICO

PART NO. CODIGO NO.	REF. NO.	PART NO. CODIGO NO.	REF. NO.	PART NO. CODIGO NO.	REF. NO.	PART NO. CODIGO NO.	REF. NO.	PART NO. CODIGO NO.	REF. NO.	PART NO. CODIGO NO.	REF. NO.
6H3-82510-02	12-1	90101-06M27	15-57	90175-06003	15-50	90243-04007	17-9	90387-12M30	15-39	90501-12082	16-29
703-82510-33	27-43	90101-08002	2-21		15-59		18-13	90387-16003	18-41	90501-14M08	19-19
697-8252E-01-4D	12-10	90101-10M49	19-26	90179-06066	19-20	90249-06M19	18-30	90387-16004	18-42	90501-16M17	15-34
697-8252F-01-4D	12-11	90101-12M06	15-21	90179-08M34	2-30	90250-07M02	21-51	90430-08020	21-11	90501-16M65	21-44
6K5-82531-00	9-3	90101-12M65	17-44	90183-02M03	21-50		22-44		22-11	90501-16233	22-42
703-82531-00	27-45		18-52	90185-05002	21-15	90254-03003	15-12		30-4	90501-23215	15-8
6H3-82540-00	12-5	90105-06M14	9-7		22-15	90266-06009	1-9	90430-12072	23-4	90502-16M02	18-34
703-82540-00	27-49	90105-10M67	23-9	90185-08057	15-53	90269-02M09	15-5		30-13	90502-20M03	17-33
6H3-82554-00	12-6	90109-12M21	19-13	90185-09M01	25-4	90269-04M03	14-8	90430-14115	2-23	90506-08M23	7-51
663-82555-01	12-7	90116-06M07	9-11	90185-10051	15-38	90280-04M04	21-26		29-3	90506-14M24	18-49
682-82556-00	12-4	90116-08M69	2-29		19-30		22-25	90445-07M02	2-11	90508-12015	7-53
	15-61	90116-10M28	19-35		19-36		30-25	90445-07M44	2-9	90508-29M19	16-10
	27-47	90116-10M31	20-23	90185-12058	15-27	90280-05015	8-9	90445-07M45	2-12	91490-16012	7-58
688-82560-10	9-32	90116-18M52	18-44	90185-22M11	18-22	90282-04010	21-67	90445-07M82	2-13	91490-20012	16-35
6E3-8257H-00	14-37	90119-06MA3	2-34	90185-22043	17-20		22-58	90445-09072	6-41	91490-23012	15-46
689-8257Y-00	15-62		4-9	90201-03313	21-49	90338-05M03	14-26	90445-09220	6-45	91490-30025	17-28
6K5-82575-03	15-60	90119-06MA5	2-39	90201-05652	5-28		14-27	90445-11M05	24-11	91490-40025	23-17
688-82575-01	12-3	90119-06M09	14-11	90201-06M31	16-9	90340-08002	21-9	90445-11M06	24-9	91609-30310	3-35
	27-46	90119-06M61	14-22	90201-06068	6-17		22-9	90446-10M02	9-33	91690-30010	11-18
676-82577-00	12-2	90119-06M65	7-43	90201-10M20	25-3	90340-14M00	2-22	90464-04M12	9-15	91690-30012	17-32
703-82577-00	27-44	90119-06M91	16-13	90201-10M63	25-7	90385-12M04	7-31	90464-07M05	2-15		18-33
688-82586-21	27-48	90119-06023	2-19	90201-10120	15-37	90386-06088	15-42	90464-07M10	9-21	91690-30020	18-29
6H3-82590-01	11-12	90119-08MA5	2-28	90201-11M22	19-29	90386-07M58	16-33	90464-08M07	9-19	92903-06100	7-16
6K5-82590-00	10-5	90119-08M13	21-35	90201-12M16	19-10	90386-08032	15-9		15-63		7-21
703-82591-00	27-52		22-34	90201-12M34	15-40	90386-10M16	17-24	90464-10M59	6-6		9-31
703-82592-00	27-53		30-24	90201-12426	17-46		18-26	90464-12M17	9-20		12-15
688-82594-00	10-13	90119-08M16	21-34		18-54	90386-10009	15-36	90464-15M11	10-10		12-17
	11-15		22-33	90201-12537	15-25	90386-10025	18-27		11-9		15-31
703-83383-02	27-50		30-23	90201-13M19	19-12	90386-12089	15-23	90465-06M90	7-61	92903-06200	7-57
6Y5-83514-00	28-6	90119-08M28	7-29	90201-17M00	23-15	90386-13M38	14-5		9-29	92903-06600	7-35
6Y5-83517-00	28-3	90119-08M32	7-30	90201-20M21	19-27	90386-18M21	17-38	90465-08M83	6-25		7-38
6Y5-83523-00	28-5	90119-08M64	2-8	90201-20417	3-42		17-42	90465-11M10	6-5		8-8
6Y5-83536-10	28-4	90119-08M79	20-8	90201-21M18	8-11	90386-18M35	17-39		6-24		9-2
6Y5-83540-14	28-2	90119-08M81	20-4	90201-22M03	18-21		17-43	90465-18147	11-22		9-27
6Y5-83553-00	28-9	90119-08M85	20-24	90201-22M67	17-19	90386-18M44	18-45	90467-06016	2-10		10-8
6H4-85411-00	9-4	90119-10005	2-7	90201-30M00	19-2	90386-22M15	17-18		2-14		11-7
6H4-85415-00	9-5	90149-05M13	15-6	90202-07M07	16-38		18-20	90467-08004	2-41		11-14
6H3-85510-A1	8-2	90149-05095	7-54	90202-12060	23-3	90386-30M60	19-6		6-42		11-20
663-85518-00	8-4	90151-05M00	21-14	90202-12092	15-24	90386-30M77	19-4		6-47		13-19
6H3-85520-00	8-3		22-14	90202-20M06	19-28	90386-30M78	19-3	90468-18008	7-56		16-32
6H3-85533-A0	8-6	90152-06M01	17-3	90202-25M04	19-11	90387-06M43	9-8		16-18	92903-08100	7-27
6H3-85540-11	9-16	90157-06M13	16-3	90206-10M04	16-23	90387-06M59	16-12		16-37	92903-08600	7-28
6H3-85542-00-94	9-6	90170-09M03	25-5	90206-12054	15-26	90387-06M60	16-6	90480-09M12	14-20		13-17
6K5-85550-A0	8-1	90170-16M01	21-38	90206-13M10	14-6		16-24	90480-13M24	9-9		13-21
6K5-85550-10	8-1		22-37	90209-06M05	4-22	90387-06M69	14-21	90480-19M06	23-11	92903-10600	15-7
6H3-85570-10	9-25	90170-18M10	18-47	90209-27M11	3-13	90387-08M05	7-32	90501-10M21	17-26	92990-05100	6-34
6H3-86110-02	11-16	90170-20137	8-10		3-20	90387-10M38	17-27	90501-10326	5-30		28-8
6H3-86116-00	11-17	90171-16011	23-16		3-27	90387-10M42	25-6	90501-12M48	21-48	92990-05600	4-4

NUMERICAL INDEX
INDICE NUMERICO

PART NO. CODIGO NO.	REF. NO.	PART NO. CODIGO NO.	REF. NO.	PART NO. CODIGO NO.	REF. NO.	PART NO. CODIGO NO.	REF. NO.	PART NO. CODIGO NO.	REF. NO.	PART NO. CODIGO NO.	REF. NO.
92990-05600	10 - 4	93101-25M03	22 - 27	93317-325U0	22 - 56	97013-06016	15 - 30	97880-05025	10 - 3		
	11 - 4		22 - 57	93332-000UE	3 - 32	97013-06020	12 - 16		11 - 3		
92990-06100	9 - 14		30 - 12	93332-000U3	21 - 6		16 - 31	97880-06012	17 - 6		
	12 - 13	93102-30M23	3 - 2		22 - 6	97013-06025	7 - 34	97880-06025	9 - 17		
92990-06200	9 - 13		29 - 10	93332-000W7	21 - 8		9 - 26		12 - 12		
92990-06600	9 - 18	93102-36M24	3 - 30		22 - 8		13 - 18	97885-05012	15 - 18		
	15 - 45		29 - 8	93410-16006	18 - 43	97013-06030	8 - 7	97885-06008	15 - 17		
	15 - 58	93106-09014	21 - 18	93410-18M02	17 - 40		12 - 14		18 - 10		
92990-08200	16 - 34		22 - 18	93410-28M06	19 - 8	97013-06055	7 - 37	97885-06010	8 - 19		
92990-08600	15 - 52		30 - 6	93430-06024	27 - 10	97013-08012	7 - 26	97885-06012	8 - 14		
	27 - 33	93106-18M01	3 - 3	93440-49M04	3 - 31	97013-08016	13 - 20		9 - 23		
92990-10100	20 - 26		29 - 11	93450-07M00	21 - 58	97013-08035	13 - 16		12 - 8		
92990-10600	17 - 25	93210-03261	11 - 21	93501-04M02	16 - 28	97075-08025	19 - 17	97885-06016	19 - 22		
	20 - 27	93210-04228	5 - 34	93503-16003	21 - 45	97075-08030	20 - 12	97885-06045	4 - 21		
92990-12200	15 - 22	93210-04230	5 - 18	93515-32M01	15 - 35		20 - 18	97902-05125	8 - 5		
92995-06100	1 - 7		29 - 30	93603-12M11	21 - 42	97075-08035	19 - 33	97980-04114	5 - 16		
	6 - 16	93210-07003	21 - 56	93603-18M09	3 - 41		20 - 9		29 - 29		
	12 - 9		22 - 48	93604-10M03	21 - 33	97080-06010	17 - 36	97980-05310	5 - 24		
	18 - 4	93210-08287	24 - 14		22 - 32	97080-06035	15 - 49	98503-05028	6 - 33		
92995-06600	1 - 8		24 - 16	93606-12019	20 - 2	97095-06010	18 - 6	98580-03015	27 - 37		
	1 - 12	93210-15M52	5 - 33		20 - 6		18 - 37	98580-04006	27 - 35		
	3 - 6		29 - 34		20 - 22		18 - 51	98580-04008	5 - 11		
	6 - 3	93210-16275	25 - 10		23 - 5	97095-06012	7 - 48	98580-04010	27 - 34		
	6 - 20	93210-29M94	19 - 5	93608-12063	2 - 6	97095-06014	6 - 19	98580-05010	27 - 36		
	6 - 22	93210-46M16	3 - 36	93700-06M03	15 - 16	97095-06016	1 - 6	98586-05016	24 - 4		
	6 - 40		29 - 9		17 - 15		1 - 11	98680-06525	18 - 39		
	7 - 49	93210-46044	21 - 29		18 - 17		6 - 15	99001-08600	21 - 57		
	8 - 15		22 - 28	94702-00160	2 - 42		6 - 21		22 - 49		
	8 - 20		30 - 10	94702-00247	2 - 42		14 - 17				
	9 - 24		30 - 22	95380-03600	6 - 30		21 - 19				
	14 - 18	93210-49046	21 - 17	95380-05600	16 - 16		22 - 19				
	14 - 31		22 - 17		16 - 21	97095-06020	3 - 5				
	14 - 33		30 - 5		27 - 7		14 - 32				
	18 - 7	93210-65M50	3 - 4		28 - 7	97095-06025	6 - 2				
	21 - 20		29 - 12	95380-06600	16 - 4		14 - 30				
	22 - 20	93210-85M97	21 - 64		27 - 39		16 - 7				
92995-08100	19 - 18		22 - 55	95380-06700	9 - 12		16 - 25				
	19 - 34		30 - 11	95380-10600	20 - 25		18 - 3				
	20 - 10	93306-207U0	21 - 61	95380-12600	17 - 47	97095-06040	6 - 39				
	20 - 13		22 - 52		18 - 55	97095-06095	4 - 10				
	20 - 19	93306-306V1	3 - 33	95380-12800	19 - 15	97095-08030	15 - 54				
92995-08600	15 - 55	93310-527W1	3 - 14	97013-06012	7 - 60	97095-10045	17 - 12				
92995-10100	17 - 13		3 - 21		9 - 1	97303-06016	7 - 17				
92995-12200	17 - 45		3 - 28		9 - 30	97303-06025	7 - 22				
	18 - 53	93311-636U6	3 - 29		11 - 13	97380-05025	27 - 8				
92995-18600	18 - 46	93315-325V1	21 - 3	97013-06016	10 - 7	97380-08030	27 - 32				
93101-25M03	21 - 28		22 - 3		11 - 6	97780-40512	23 - 12				
	21 - 66	93317-325U0	21 - 65		11 - 19	97880-05016	4 - 3				

E60H
PARTS CATALOGUE
E2001 by Yamaha Motor Co., Ltd.
1st Edition, Nov. 2001
All rights reserved.
Any reprinting or unauthorized use
without the written permission of
Yamaha Motor Co., Ltd.
is expressly prohibited.

E60H
CATALOGO DE REPUESTOS
E2001, Yamaha Motor Co., Ltd.
1ªedición, Nov. 2001
Reservados todos los derechos.
Se prohíbe expresamente toda reimpresión
o utilización no autorizada de este manual
sin el consentimiento por escrito de
Yamaha Motor Co., Ltd.