

**PARTS
CATALOGUE
CATALOGO
DE REPUESTOS**

E60H'03(69D2)

2B69D-200S1

YAMAHA
GENUINE
Parts & Accessories

A1

FOREWORD

This Parts Catalogue is related to the parts for the model(s) in the below frame. When you are ordering replacement parts, please refer to this Parts Catalogue and quote both part numbers and part names correctly.

E60H'03(69D2)

1. Modifications or additions which have been made after issue of the Parts Catalogue will be announced in the Yamaha Parts News.
It is advisable that you make necessary corrections to the Parts Catalogue according to the Yamaha Parts News.

2. Abbreviations

The Following abbreviations are used in this Parts Catalogue.

“UR” Use specified parts number.

“UN” Use as many as needed.

“AP” Alternate Parts

“LM” Local Made
(Parts need to be ordered locally)

“O/S” Over Size

3. Parts, which are to be supplied in an assembly, are listed with a dot(.) in front of the part name as shown below.

EXAMPLE

CARBURETOR ASSY

.JET, PILOT

.NOZZLE, MAIN

4. Number of component for assembly

The numeral appearing to the right of each component part indicates the quantity of parts for each assembly unit.

EXAMPLE

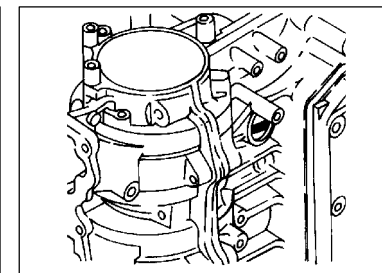
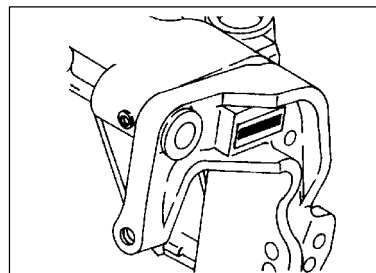
PART NO.	DESCRIPTION	□	□	□	□	□	REMARKS
6E0-85500-70	C.D.I. MAGNETO ASSY	1					
6E0-85550-70	.ROTOR ASSY	1					
6E0-15723-00-94.	PULLY, STARTER	1					

5. Quantity Column Information

NAME for Q'TY COLUMN	APPLICABLE MODEL
MHD	E60HMHD
WHD	E60HWHD
WD	E60HWD

6. Applicable Starting Serial No. and Color Code
1) Engine Starting Sserial No.

E60HMHD S/L/X 6K5 : 1000001	E60HWD L 6K5 : 1000001
E60HWHD L 6K5 : 1000001	



- 2) Color Code

Color Code	Color Name	Abbreviation
004D	DARK BLUISH GRAY METALLIC 2	DBNM2

7. Note that the illustrations for reference in finding parts numbers, not to be used for assembling. When assembling, please use the applicable service manual.
8. The asterisk (*) before a reference number indicates modification items after the first edition.

CONTENTS

SHEET 1/2

TOP COWLING	A4
CYLINDER. CRANKCASE	A5
CRANKSHAFT. PISTON	A7
INTAKE	B2
CARBURETOR	B3
FUEL	B5
STARTER	B7
GENERATOR	C3
ELECTRICAL 1	C4
ELECTRICAL 2	C6
ELECTRICAL 3	C7
ELECTRICAL 4	D1
STARTING MOTOR	D2
BOTTOM COWLING	D3
STEERING	D5
CONTROL	E1
BRACKET 1	E3
BRACKET 2	E6
BRACKET 3	E7
BRACKET 4	F3
UPPER CASING	F5
LOWER CASING. DRIVE 1	F7

INDEX

NUMERICAL INDEX	G1
-----------------------	----

SHEET 2/2

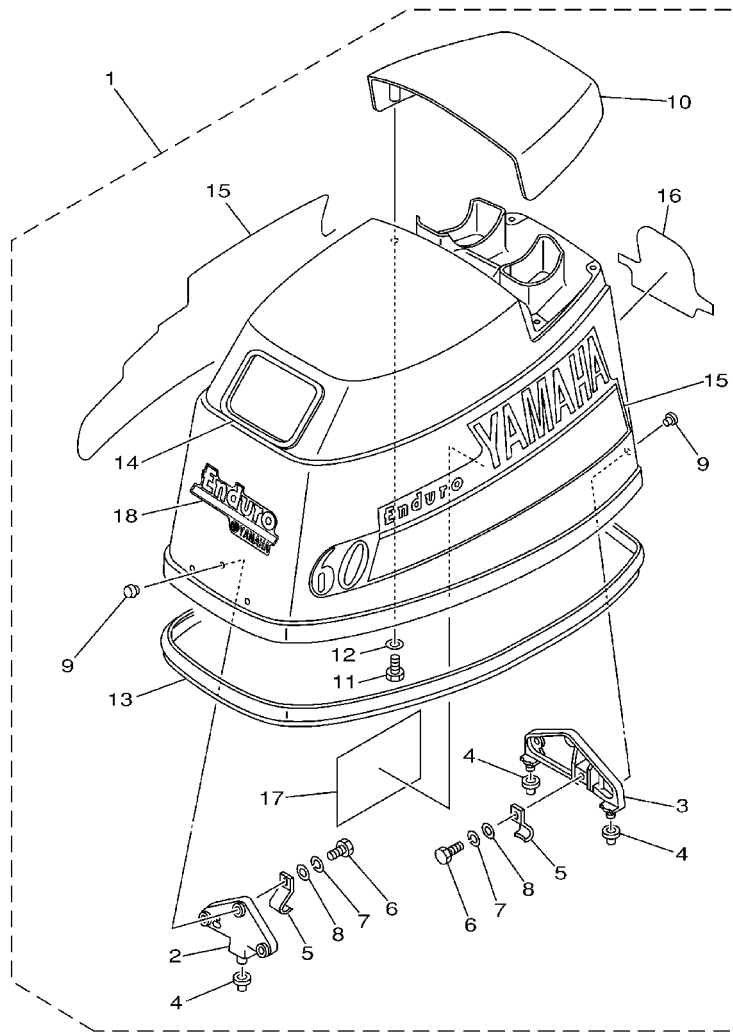
LOWER CASING. DRIVE 1	A4*
LOWER CASING. DRIVE 2	A7*
LOWER CASING. DRIVE 3	B3*
FUEL TANK	B5*
STEERING GUIDE	B6*
REMOTE CONTROL BOX	B7*
REMOTE CONTROL ASSY	C1*
METER	C4*
REPAIR KIT 1	C5*
REPAIR KIT 2	C7*

INDEX

NUMERICAL INDEX	G1*
-----------------------	-----

FIG. 1 TOP COWLING

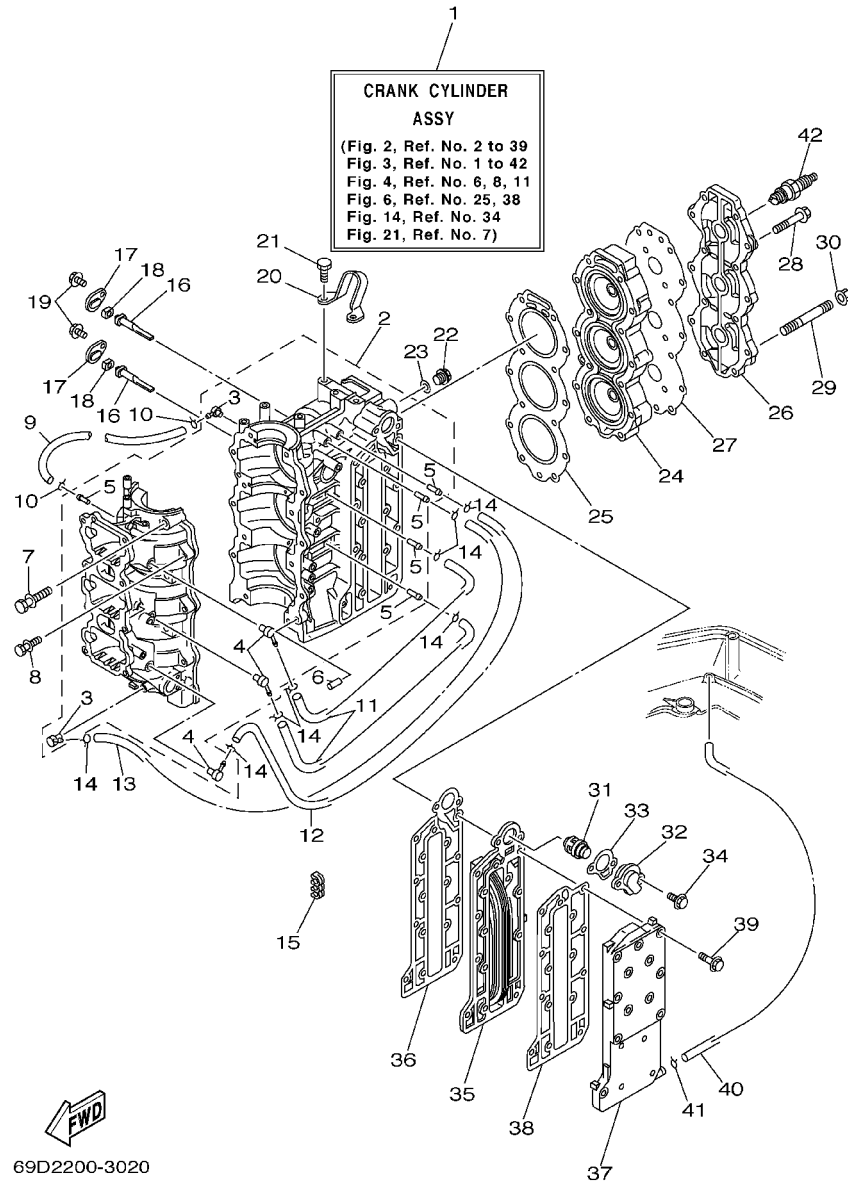
SOPORTE SUPERIOR



69D1100-2010

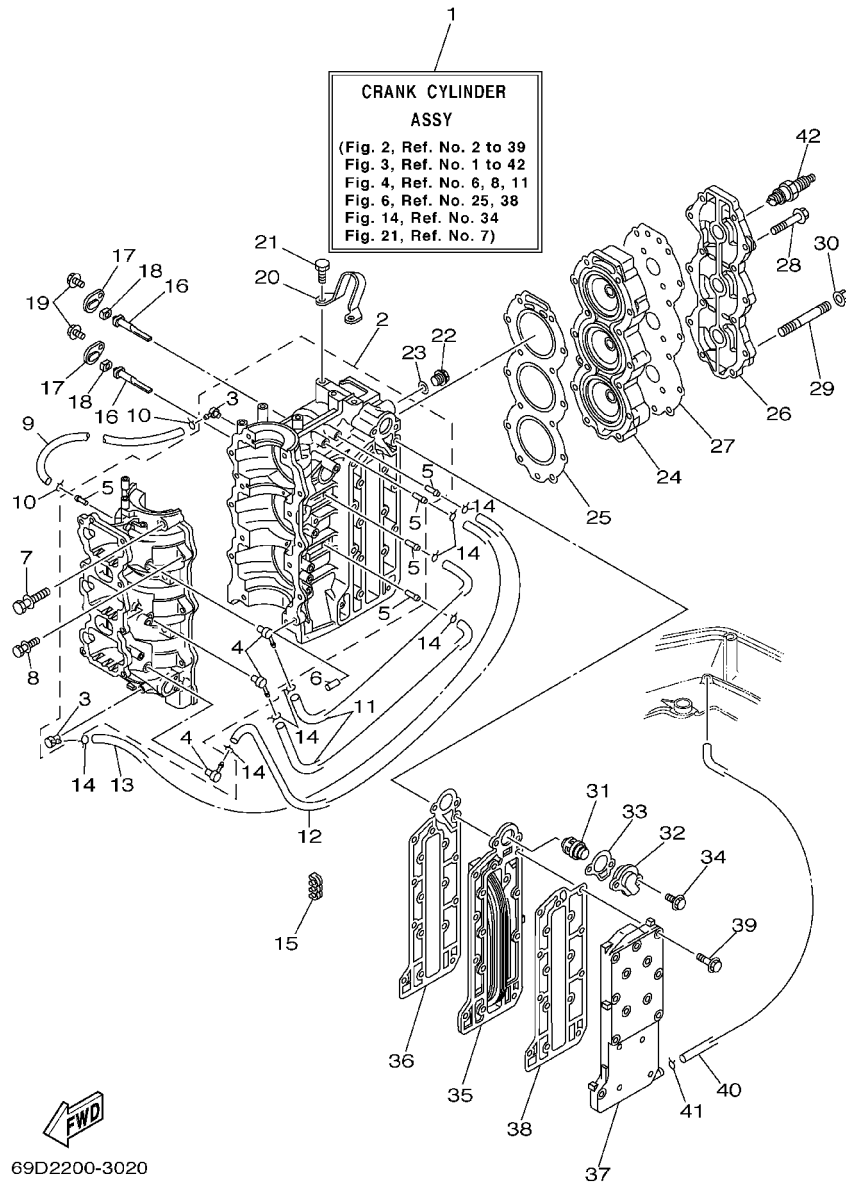
REF. NO.	PART NO. CODIGO NO.	DESCRIPTION DESCRIPTION	MHD	WHD	WD	REMARKS OBSERVACION
1	69D-42610-H0-4D	TOP COWLING ASSY SOPORTE SUPERIOR COMPL.	1	1	1	
2	6H3-42647-00-94	.HOLDER, CLAMP BAND .MORDAZA DE ABRAZADERA	1	1	1	
3	6H3-42649-00-94	.HOLDER, CLAMP BAND .MORDAZA DE ABRAZADERA	1	1	1	
4	663-42662-00	.DAMPER .AMORTIGUADOR	3	3	3	
5	6H3-42652-00	.HOOK .GANCHO	2	2	2	
6	97095-06016	.BOLT .PERNO	2	2	2	
7	92995-06100	.WASHER, SPRING .ARANDELA	2	2	2	
8	92995-06600	.WASHER .ARANDELA	2	2	2	
9	90266-06009	.RIVET .REMACHE	6	6	6	
10	6H3-42613-01-4D	.MOLDING, AIR DUCT .MOLDURA CONDUCTO AIRE	1	1	1	
11	97095-06016	.BOLT .PERNO	4	4	4	
12	92995-06600	.WASHER .ARANDELA	4	4	4	
13	6H3-42615-00	.SEAL .SELLO	1	1	1	
14	6K5-15761-00	.SEAL, RUBBER 1 .SELLO DE GOMA 1	1	1	1	
15	6K5-W0070-H0	.GRAPHIC SET .JUEGO DE EMBLEMA	1	1	1	
16	6K5-42678-H0	.GRAPHIC, REAR .CALCAMONIA TRASERA	1	1	1	
17	677-13437-08	.MARK, CAUTION .MARKER	1	1	1	
18	69D-42677-H0	.GRAPHIC, FRONT .CALCAMONIA FRONTAL	1	1	1	

FIG. 2 CYLINDER. CRANKCASE CYLINDRO. CARTER



69D2200-3020

REF. NO.	PART NO. CODIGO NO.	DESCRIPTION DESCRIPTION	MHD	WHD	WD	REMARKS OBSERVACION
1	69D-W0090-01-1S	CRANK CYLINDER ASSY BLOQUE MOTOR COMPLETO	1	1	1	
2	69D-15100-00-1S	CRANKCASE ASSY CARTER COMPLETO	1	1	1	
3	688-11370-01	.CHECK VALVE ASSY .VALVULA DE CONTROL COMPL.	2	2	2	
4	650-11370-01	.CHECK VALVE ASSY .VALVULA DE CONTROL COMPL.	3	3	3	
5	624-14485-00	.PIPE, JOINT .TUBO_DE_UNION	5	5	5	
6	93608-12063	PIN, DOWEL PASADOR DE CLAVIJA	2	2	2	
7	90119-10005	BOLT, WITH WASHER TORNILLO CON ARANDELA	8	8	8	
8	90119-08M64	BOLT, WITH WASHER TORNILLO CON ARANDELA	6	6	6	
9	90445-07M44	HOSE (L250) TUBO (L250)	1	1	1	
10	90467-06016	CLIP PRESILLA	2	2	2	
11	90445-07M02	HOSE (L167) TUBO (L167)	2	2	2	
12	90445-07M45	HOSE (L340) TUBO (L340)	1	1	1	
13	90445-07M82	HOSE (L440) TUBO (L440)	1	1	1	
14	90467-06016	CLIP PRESILLA	8	8	8	
15	90464-07M05	CLAMP BRIDA	1	1	1	
16	6H3-11325-01	ANODE ANODO	2	2	2	
17	6H3-11327-00-1S	COVER, ANODE CUBIERTA	2	2	2	
18	6H3-11328-00	GROMMET, ANODE TAPON	2	2	2	
19	90119-06023	BOLT, WITH WASHER TORNILLO CON ARANDELA	2	2	2	
20	6K5-11119-01	HANGER, ENGINE SOPORTE DEL MOTOR	1	1	1	
21	90101-08002	BOLT TORNILLO	2	2	2	
22	90340-14M00	PLUG, STRAIGHT SCREW TORNILLO, DE DRENAJE	1	1	1	
23	90430-14115	GASKET JUNTA	1	1	1	
24	6H3-11111-01-1S	HEAD, CYLINDER 1 CULATA CILINDRO 1	1	1	1	
25	6H3-11181-A1	GASKET, CYLINDER HEAD 1 JUNTA, DE CULATA 1	1	1	1	
26	6H3-11191-00-1S	COVER, CYLINDER HEAD 1 TAPA CULATA DE CILINDRO 1	1	1	1	
27	6H3-11193-A1	GASKET, HEAD COVER 1 EMPAQUE	1	1	1	



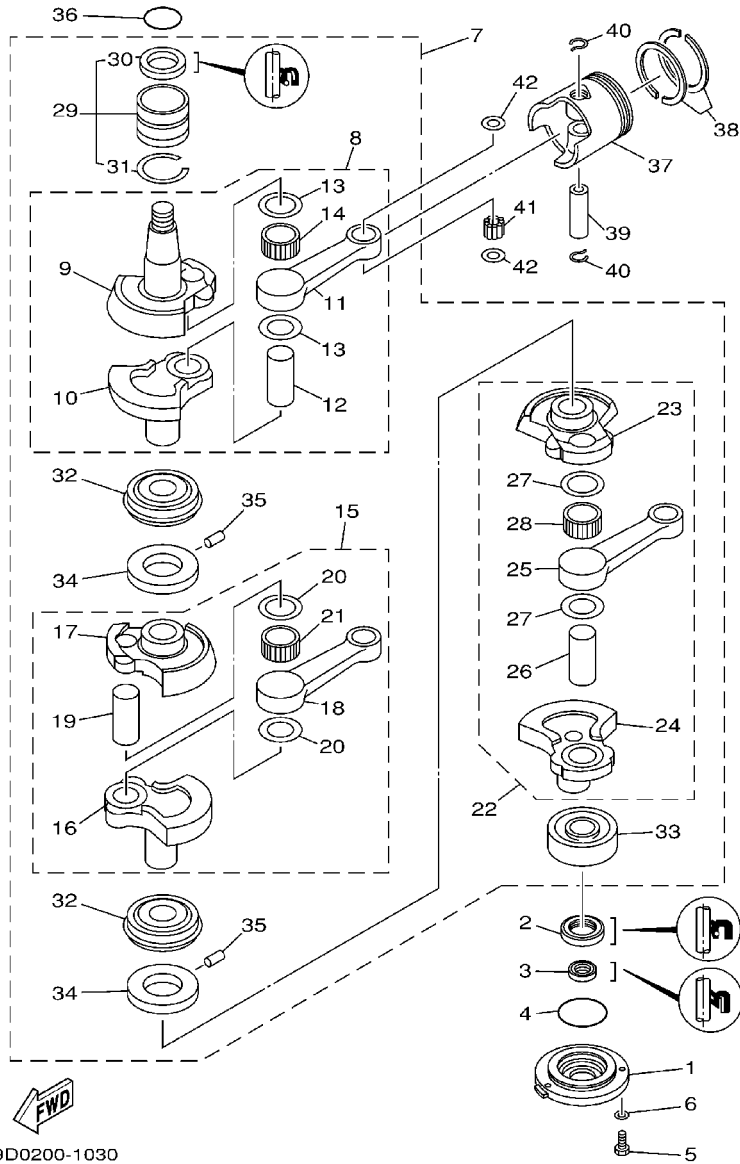
69D2200-3020

FIG. 2 CYLINDER. CRANKCASE CYLINDRO. CARTER

REF. NO.	PART NO. CODIGO NO.	DESCRIPTION DESCRIPTION	MHD	WHD	WD	REMARKS OBSERVACION
28	90119-08MA5	BOLT, WITH WASHER TORNILLO CON ARANDELA	13	13	13	
29	90116-08M69	BOLT, STUD ESPARRAGO	1	1	1	
30	90179-08M34	NUT TUERCA	1	1	1	
31	6H3-12411-10	THERMOSTAT TERMOSTAT	1	1	1	
32	6H3-12413-00-1S	COVER, THERMOSTAT CUBIERTA, TERMOSTATO	1	1	1	
33	6H3-12414-A1	GASKET, COVER EMPAQUE	1	1	1	
34	90119-06MA3	BOLT, WITH WASHER TORNILLO CON ARANDELA	2	2	2	
35	6H3-41111-01-1S	INNER COVER, EXHAUST CUBIERTA INTERIOR DE ESCAPE	1	1	1	
36	6H3-41112-A0	GASKET, EXHAUST INNER COVER EMPAQUE	1	1	1	
37	6H3-41113-02-1S	OUTER COVER, EXHAUST CUBOERTA EXTERIOR DE ESCAPE	1	1	1	
38	6H3-41114-A0	GASKET, EXHAUST OUTER COVER EMPAQUE	1	1	1	
39	90119-06MA5	BOLT, WITH WASHER TORNILLO CON ARANDELA	16	16	16	
40	663-24312-01	PIPE 2 TUBO 2	1	1	1	
41	90467-08004	CLIP PRESILLA	1	1	1	
42	94702-00160	PLUG, SPARK (NGK B8HS-10) BUJIA (NGK B8HS-10)	3	3	3	
	94702-00247	PLUG, SPARK (NGK BR8HS-10) BUJIA (NGK BR8HS-10)	3	3	3	FOR CARIB, CHINA

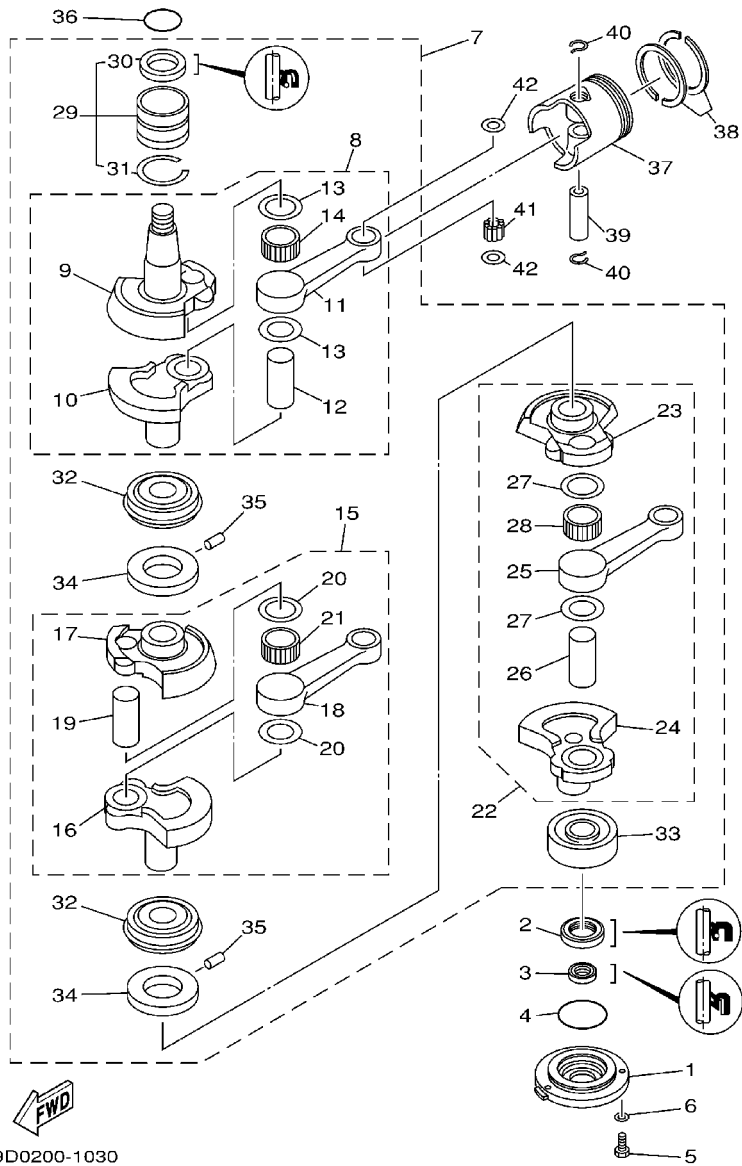
FIG. 3 CRANKSHAFT. PISTON

CIGUENAL. PISTON



69D0200-1030

REF. NO.	PART NO. CODIGO NO.	DESCRIPTION DESCRIPTION	MHD	WHD	WD	REMARKS OBSERVACION
1	6H3-15359-00-94	HOUSING, OIL SEAL CAJA DE SELLO DE ACEITE	1	1	1	
2	93102-30M23	OIL SEAL RETEN DE ACEITE	1	1	1	
3	93106-18M01	OIL SEAL RETEN DE ACEITE	1	1	1	
4	93210-65M50	O-RING JUNTA TORICA	1	1	1	
5	97095-06020	BOLT PERNO	3	3	3	
6	92995-06600	WASHER ARANDELA	3	3	3	
7	69D-11400-00	CRANKSHAFT ASSY CIGUENAL COMPLETO	1	1	1	
8	6K5-11401-00	..CRANK SUB ASSY 1 ..MANIVELA SEMI-ARMADA 1	1	1	1	
9	6K5-11412-00	..CRANK 1 ..MANIVELA 1	1	1	1	
10	6K5-11422-00	..CRANK 2 ..MANIVELA 2	1	1	1	
11	6K5-11651-00	..ROD, CONNECTING ..BIELA	1	1	1	
12	6K5-11681-00	..PIN, CRANK 1 ..PASADOR MANIVELA 1	1	1	1	
13	90209-27M11	..WASHER ..ARANDELA DE SEPARACION	2	2	2	
14	93310-527W1	..BEARING ..COJINETE DE RODILLOS	1	1	1	
15	6K5-11402-00	..CRANK SUB ASSY 2 ..MANIVELA SEMI-ARMADA 2	1	1	1	
16	6K5-11422-00	..CRANK 2 ..MANIVELA 2	1	1	1	
17	6H3-11432-00	..CRANK 3 ..MANIVELA 3	1	1	1	
18	6K5-11651-00	..ROD, CONNECTING ..BIELA	1	1	1	
19	6K5-11681-00	..PIN, CRANK 1 ..PASADOR MANIVELA 1	1	1	1	
20	90209-27M11	..WASHER ..ARANDELA DE SEPARACION	2	2	2	
21	93310-527W1	..BEARING ..COJINETE DE RODILLOS	1	1	1	
22	6K5-11403-00	..CRANK SUB ASSY 3 ..CONJUNTO SUBMANIVELA 3	1	1	1	
23	6H3-11432-00	..CRANK 3 ..MANIVELA 3	1	1	1	
24	6K5-11442-00	..CRANK 4 ..MANIVELA 4	1	1	1	
25	6K5-11651-00	..ROD, CONNECTING ..BIELA	1	1	1	
26	6K5-11681-00	..PIN, CRANK 1 ..PASADOR MANIVELA 1	1	1	1	
27	90209-27M11	..WASHER ..ARANDELA DE SEPARACION	2	2	2	



69D0200-1030

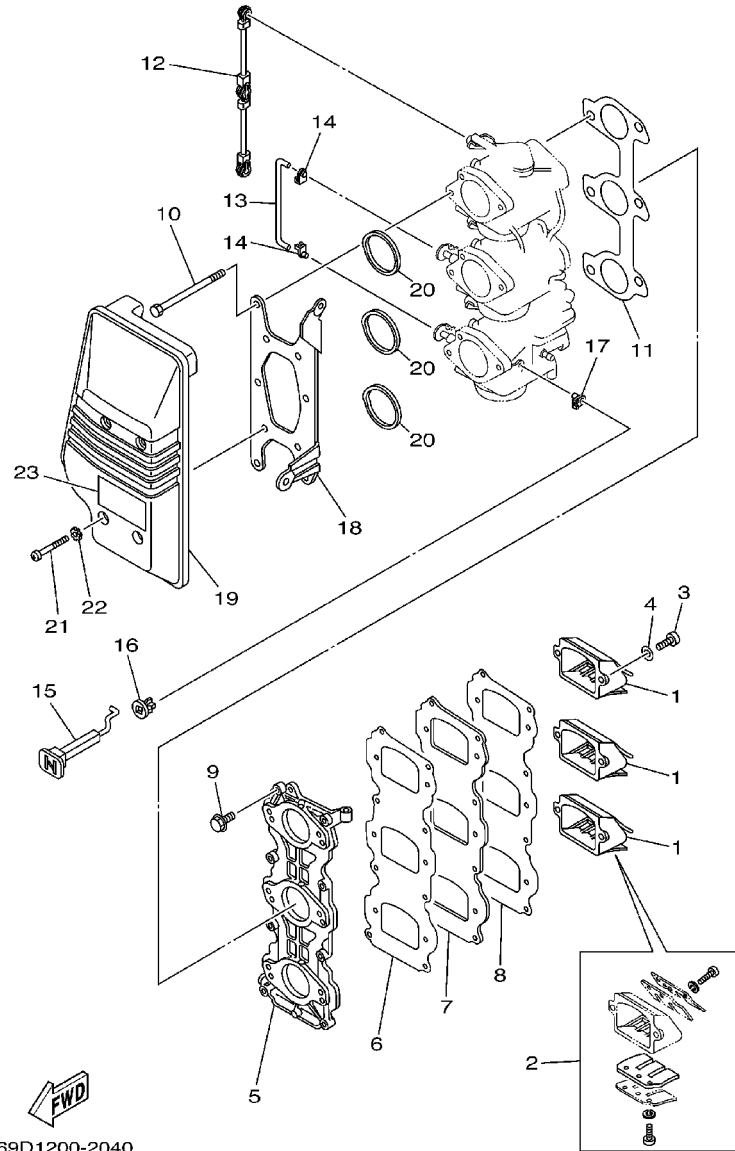
FIG. 3 CRANKSHAFT. PISTON

CIGUENAL. PISTON

REF. NO.	PART NO. CODIGO NO.	DESCRIPTION DESCRIPTION	MHD	WHD	WD	REMARKS OBSERVACION
28	93310-527W1	..BEARING ..COJINETE DE RODILLOS	1	1	1	
29	93311-636U6	..BEARING ..COJINETE DE RODILLOS	1	1	1	
30	93102-36M24	..OIL SEAL ..RETEN DE ACEITE	1	1	1	
31	93440-49M04	..CIRCLIP ..SEGURO	1	1	1	
32	93332-000UE	..BEARING ..COJINETE DE RODILLOS AHUSADO	2	2	2	
33	93306-306V1	..BEARING ..COJINETE	1	1	1	
34	6H3-11515-00	..SEAL, LABYRINTH 1 ..SELLO LABERINTO 1	2	2	2	
35	90254-03002	..PIN, SPRING ..PASADOR DE TIPO A RESORTE	2	2	2	
36	93210-46M16	O-RING JUNTA TORICA	1	1	1	
37	6K5-11631-03-95	PISTON (STD) PISTON (NORMA)	3	3	3	
	6K5-11635-03	PISTON (0.25MM O/S) PISTON (0.25MM O/S)	3	3	3	AP
	6K5-11636-03	PISTON (0.50MM O/S) PISTON (0.50MM O/S)	3	3	3	AP
38	6K5-11601-02	PISTON RING SET (STD) JUEGO DE AROS (NORMA)	3	3	3	
	6K5-11601-12	PISTON RING SET (0.25MM O/S) JUEGO DE AROS (0.25MM O/S)	3	3	3	AP
	6K5-11601-22	PISTON RING SET (0.50MM O/S) JUEGO DE AROS (0.50MM O/S)	3	3	3	AP
39	6H3-11633-00	PIN, PISTON PASADOR, PISTON	3	3	3	
40	688-11634-10	CLIP, PISTON PIN PRESILLA, BULON DE PISTON	6	6	6	
41	93603-18M09	PIN, DOWEL PASADOR DE CLAVIJA	84	84	84	
42	90201-20417	WASHER, PLATE ARANDELA PLANA	6	6	6	

FIG. 4 INTAKE

ADMISION

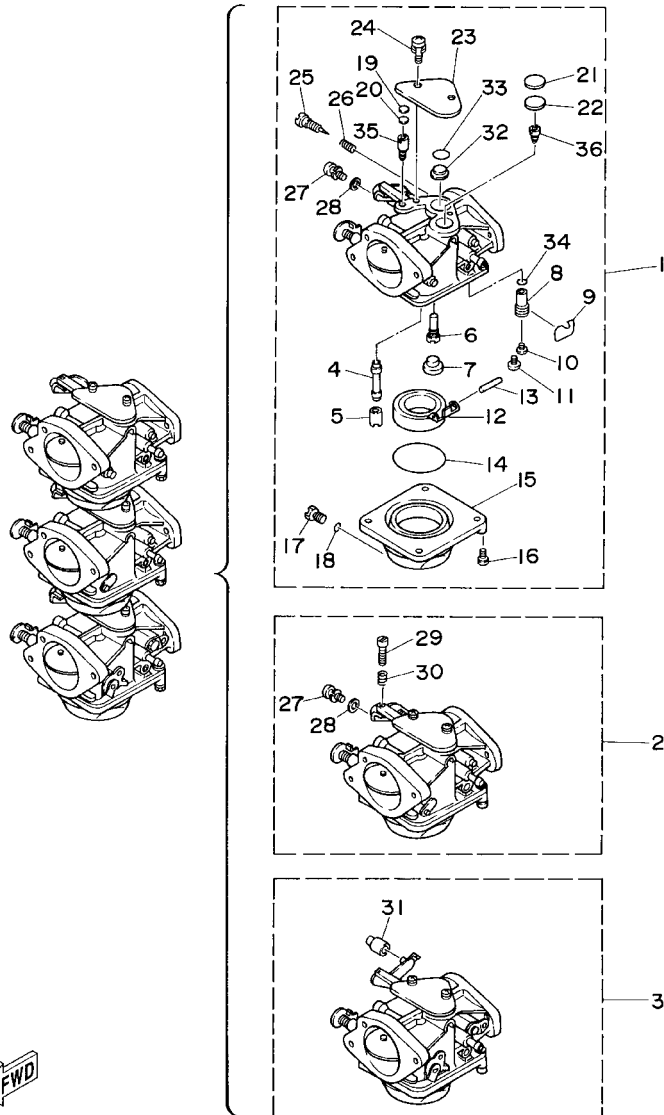


69D 1200-2040

REF. NO.	PART NO. CODIGO NO.	DESCRIPTION DESCRIPTION	MHD	WHD	WD	REMARKS OBSERVACION
1	6H2-13610-00	REED VALVE ASSY VALVULA DE LAMINAS COMPLETA	3	3	3	
2	688-W0004-00	.REED SET .JUEGO DE VALVULAS DE LENGUETA	1	1	1	
3	97880-05016	SCREW, PAN HEAD TORNILLO DE CABEZA CON PLANA	6	6	6	
4	92990-05600	WASHER, PLATE ARANDELA PLANA	6	6	6	
5	6H3-13641-03-94	MANIFOLD 1 MULTIPLE 1	1	1	1	
6	6H3-13621-A1	GASKET, VALVE SEAT JUNTA, DE VALV.DE EMPAQUE	1	1	1	
7	6H3-13624-00-94	PLATE, REED VALVE PLACA DE VALVULA DE LAMINAS	1	1	1	
8	6H3-13622-A1	GASKET, VALVE SEAT EMPAQUE DE ASIENTO VALVULA	1	1	1	
9	90119-06MA3	BOLT, WITH WASHER TORNILLO CON ARANDELA	8	8	8	
10	97095-06095	BOLT PERNO	6	6	6	
11	6H3-14198-A1	GASKET EMPAQUE	1	1	1	
12	6H3-41217-00	ROD, ACCEL. LEVER VARILLA PALANCA ACELERADOR	1	1	1	
13	6H3-41257-00	ROD, CHOKE 2 VARILLA DE AHOGADOR	2	2	2	
14	661-41262-02	JOINT, CHOKE LEVER CONECTOR DE AHOGADOR	4	4	4	
15	6H3-41271-00	KNOB, CHOKE PERILLA AHOGADOR	1	1	1	
16	689-41273-00	GROMMET TAPON PROTECTOR	1	1	1	
17	661-41262-02	JOINT, CHOKE LEVER CONECTOR DE AHOGADOR	1	1	1	
18	6H3-14413-10	STAY SOPORTE	1	1	1	
19	6H3-14440-02	SILENCER ASSY, INTAKE SILENCIADOR COMPL DE ADMISION	1	1	1	
20	6H3-14457-01	SEAL SELLO	3	3	3	
21	97885-06045	SCREW, PAN HEAD TORNILLO A MUESCA	4	4	4	
22	90209-06M05	WASHER ARANDELA DE SEPARACION	4	4	4	
23	6K5-14488-00	LABEL, CAUTION ETIQUETA PRECAUCION	1	1	1	

FIG. 5 CARBURETOR

CARBURADOR



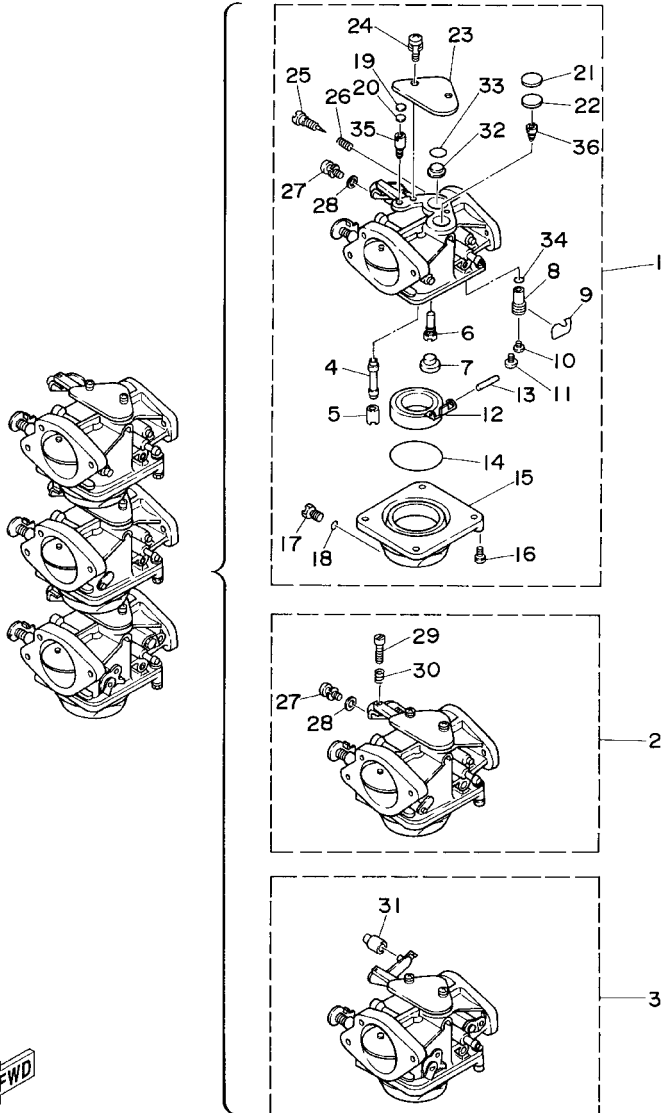
REF. NO.	PART NO. CODIGO NO.	DESCRIPTION DESCRIPTION	MHD	WHD	WD	REMARKS OBSERVACION
1	6K5-14301-03	CARBURETOR ASSY 1 CARBURADOR COMPLETO 1	1	1	1	
2	6K5-14302-03	CARBURETOR ASSY 2 CARBURADOR COMPLETO 2	1	1	1	
3	6K5-14303-03	CARBURETOR ASSY 3 CARBURADOR COMPLETO 3	1	1	1	
4	6H2-14947-02	.NOZZLE, MAIN .INYECTOR DE AGUJA	3	3	3	
5	676-14943-34	.JET, MAIN (#135) .INYECTOR PRINCIPAL (#135)	3	3	3	
6	6H4-14948-15	.JET, SLOW (#70) .INYECTOR (#70)	3	3	3	
7	676-14966-00	.CAP .TAPA	3	3	3	
8	6H3-14590-01	.NEEDLE VALVE ASSY .VALVULA DE AGUJA COMPLETA	3	3	3	
9	663-14159-00	.CLIP .PRESILLA	3	3	3	
10	676-14186-00	.PIN, FLOAT .PASADOR DE LA BOYA	3	3	3	
11	98580-04008	.SCREW, PAN HEAD .TORNILLO DE CABEZA CRUZADA	3	3	3	
12	6G1-14985-00	.FLOAT .BOIA	3	3	3	
13	688-14548-00	.PIN, FLOAT ARM .PASADOR DE BRAZO DE BOIA	3	3	3	
14	6G1-14984-00	.O-RING .EMPAQUE CAMARA DE BOIA	3	3	3	
15	6H2-14980-00	.BODY, FLOAT CHAMBER .CUERPO CAMARA DE BOIA	3	3	3	
16	97980-04114	.SCREW, WITH WASHER .TORNILLO, CON ARANDELA	12	12	12	
17	6H3-14992-00	.SCREW, DRAIN .TORNILLO, SEGURO	3	3	3	
18	93210-04230	.O-RING .JUNTA TORICA	3	3	3	
19	663-14126-00	.GASKET EMPAQUE	3	3	3	
20	663-14527-00	.PLATE PLACA	3	3	3	
21	688-14126-00	.GASKET .EMPAQUE	3	3	3	
22	688-14527-00	.PLATE .PLACA	3	3	3	
23	6H2-14527-01	.PLATE .PLACA	3	3	3	
24	97980-05310	.SCREW, WITH WASHER .TORNILLO, CON ARANDELA	6	6	6	
25	692-14923-00	.SCREW, PILOT .TORNILLO DE AJUSTE	3	3	3	
26	679-14555-00	.SPRING .RESORTE	3	3	3	
27	6K5-14592-00	.SCREW .TORNILLO	2	2	2	#1,2

6K50100-4050

FIG. 5 CARBURETOR

CARBURADOR

REF. NO.	PART NO. CODIGO NO.	DESCRIPTION DESCRIPTION	MHD	WHD	WD	REMARKS OBSERVACION
28	90201-05652	.WASHER, PLATE .ARANDELA PLANA	2	2	2	#1,2
29	63V-14523-00	.SCREW, STOP .TORNILLO DE TOPE	1	1	1	#2
30	90501-10326	.SPRING, COMPRESSION .RESORTE DE COMPRESION	1	1	1	#2
31	6H2-14578-00	.COLLAR .COLLAR	1	1	1	#3
32	6H3-14578-00	.PLATE .COLLAR	3	3	3	
33	93210-15M52	.O-RING .JUNTA TORICA	3	3	3	
34	93210-04228	.O-RING .JUNTA TORICA	3	3	3	
35	6K5-14945-36	.JET, AIR MAIN (#145) .INYECTOR (#145)	3	3	3	
36	6K5-14950-21	.JET, AIR SLOW (#85) .ESPREA DE AIRE PILOTO (#85)	3	3	3	




6K50100-4050

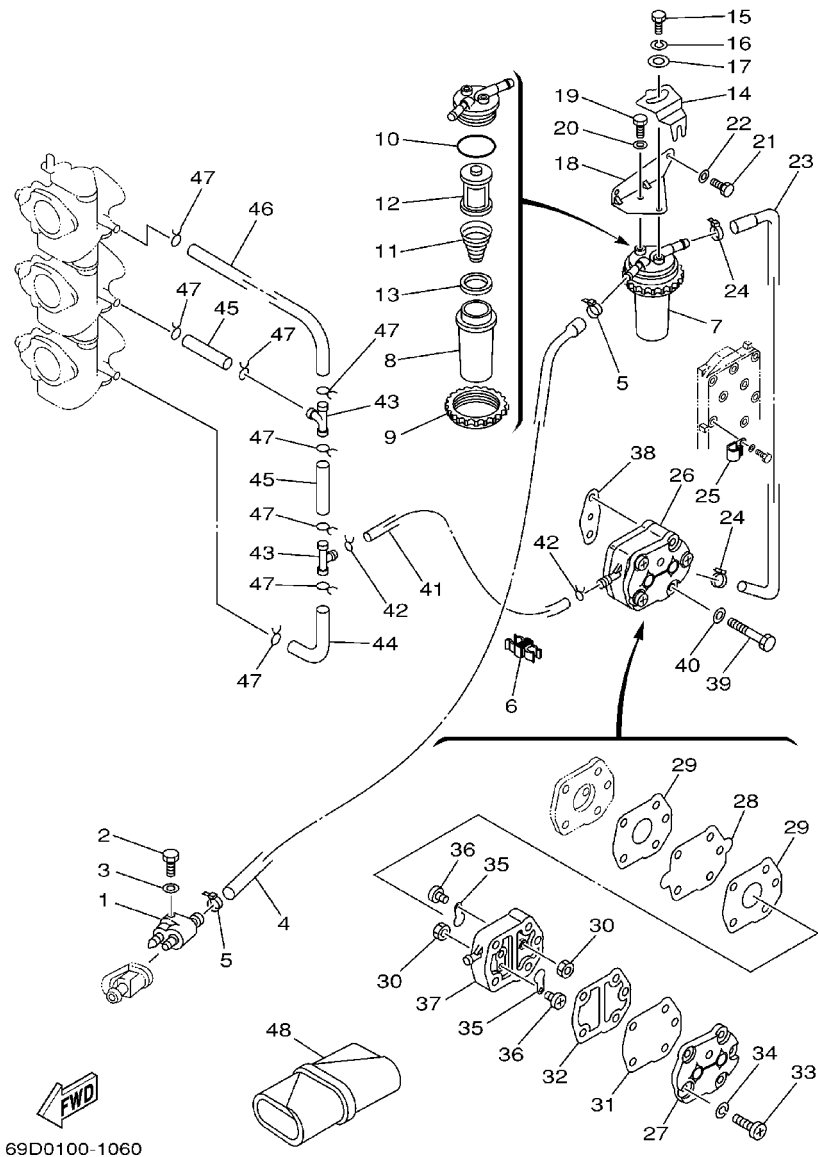


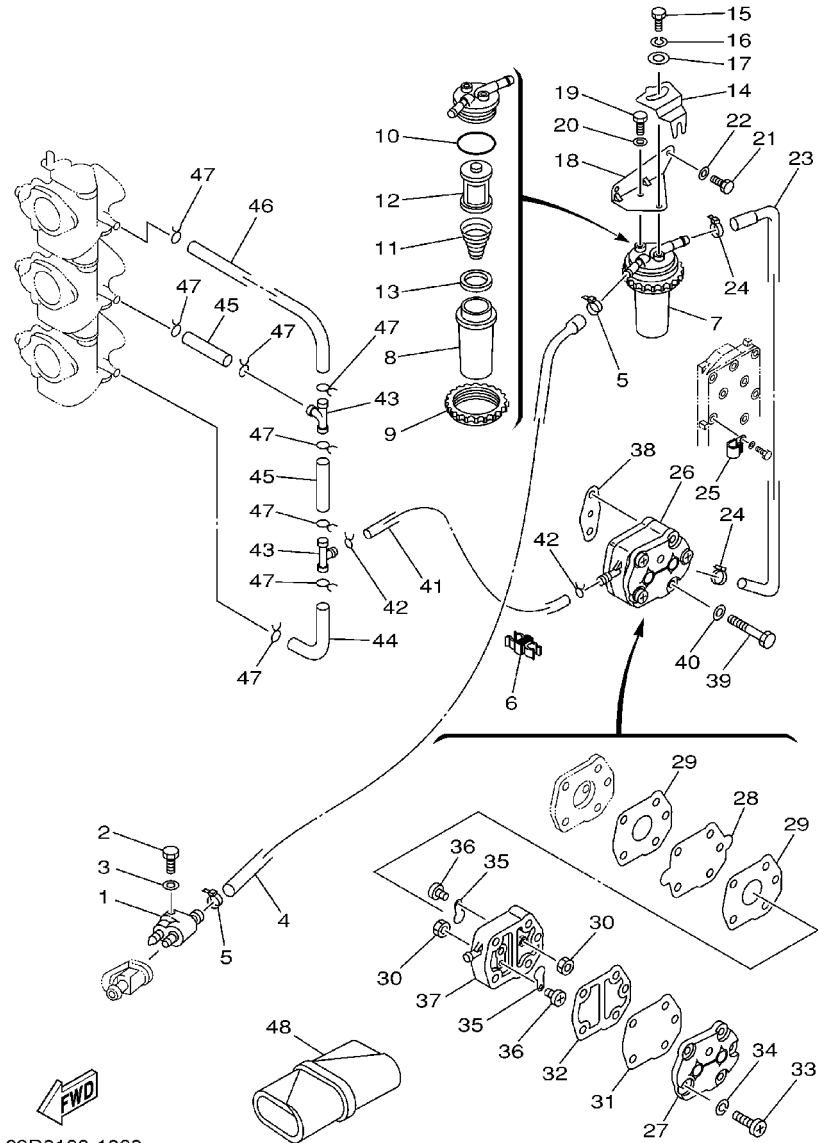
FIG. 6 FUEL

COMBUSTIBLE

REF. NO.	PART NO. CODIGO NO.	DESCRIPTION DESCRIPTION	MHD	WHD	WD	REMARKS OBSERVACION
1	6G1-24304-02	FUEL PIPE JOINT COMP. 1 CONECTOR MANGUERA COMBUST.1	1	1	1	
2	97095-06025	BOLT PERNO	1	1	1	
3	92995-06600	WASHER ARANDELA	1	1	1	
4	69D-24311-00	PIPE, FUEL 1 TUBO DE COMBUSTIBLE 1	1	1	1	
5	90465-11M10	CLAMP BRIDA	2	2	2	
6	90464-10M59	CLAMP BRIDA	1	1	1	
7	61A-24560-04	FILTER ASSY FILTRO COMPLETO	1	1	1	
8	61A-24521-00	.CUP, FILTER .COPA DE FILTRO	1	1	1	
9	65L-24531-01	.NUT .TUERCA	1	1	1	
10	61A-24564-00	.O-RING .ANILLO O	1	1	1	
11	61A-24577-01	.SPRING .RESORTE	1	1	1	
12	61A-24563-00	ELEMENT, FILTER .ELEMENTO DEL FILTRO	1	1	1	
13	61A-24469-00	.FLOAT, WATER LEVEL .BOIA	1	1	1	
14	65L-24558-00	HOLDER, FILTER SOPORTE DE FILTRO	1	1	1	
15	97095-06016	BOLT PERNO	1	1	1	
16	92995-06100	WASHER, SPRING ARANDELA	1	1	1	
17	90201-06068	WASHER, PLATE ARANDELA PLANA	1	1	1	
18	69D-24566-01	BRACKET, FILTER SOPORTE DEL FILTRO	1	1	1	
19	97095-06014	BOLT PERNO	1	1	1	
20	92995-06600	WASHER ARANDELA	1	1	1	
21	97095-06016	BOLT PERNO	2	2	2	
22	92995-06600	WASHER ARANDELA	2	2	2	
23	69D-24312-00	PIPE 2 TUBO 2	1	1	1	
24	90465-11M10	CLAMP BRIDA	2	2	2	
25	90465-08M83	CLAMP BRIDA	1	1	1	
26	692-24410-00	FUEL PUMP ASSY BOMBA DE COMBUSTIBLE COMPLETA	1	1	1	
27	6A0-24413-00	.BODY 2 .CUERPO 2	1	1	1	

FIG. 6 FUEL

COMBUSTIBLE

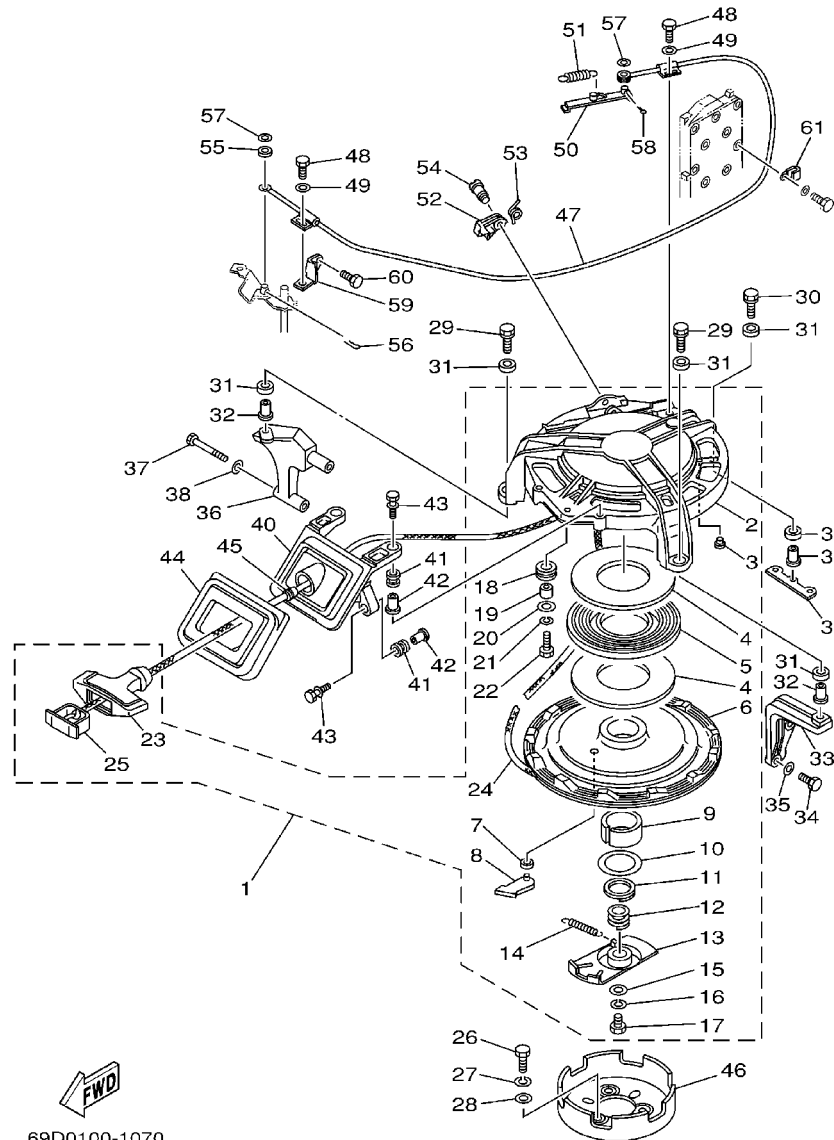


69D0100-1060

REF. NO.	PART NO. CODIGO NO.	DESCRIPTION DESCRIPTION	MHD	WHD	WD	REMARKS OBSERVACION
28	692-24411-00	.DIAPHRAGM .DIAFRAGMA	1	1	1	
29	648-24434-01	.GASKET, BODY .EMPAQUE	2	2	2	
30	95380-03600	.NUT .TUERCA	2	2	2	
31	663-24411-00	.DIAPHRAGM .DIAFRAGMA	1	1	1	
32	648-24435-02	.GASKET, BODY 2 .EMPAQUE	1	1	1	
33	98503-05028	.SCREW, PAN HEAD .TORNILLO DE CABEZA DE CONO AC	3	3	3	
34	92990-05100	.WASHER, SPRING .ARANDELA GROWER	3	3	3	
35	6A0-24421-01	.VALVE, CHECK .VALVULA DE RETENCION	2	2	2	
36	6A0-14325-00	.SCREW, PAN HEAD .TORNILLO CABEZA REDONDA	2	2	2	
37	6A0-24412-02	.BODY 1 .CUERPO 1	1	1	1	
38	650-24431-A0	GASKET, FUEL PUMP 1 EMPAQUE BOMBA COMBUST 1	1	1	1	
39	97095-06040	BOLT PERNO	2	2	2	
40	92995-06600	WASHER ARANDELA	2	2	2	
41	90445-09072	HOSE (L120) TUBO (L120)	1	1	1	
42	90467-08004	CLIP PRESILLA	2	2	2	
43	688-24378-00	PIPE, JOINT 4 TUBO DE UNION 4	2	2	2	
44	6H3-24313-00	PIPE 3 TUBO 3	1	1	1	
45	90445-09220	HOSE TUBO	2	2	2	
46	6H3-24314-00	PIPE 4 TUBO 4	1	1	1	
47	90467-08004	CLIP PRESILLA	8	8	8	
48	656-W2810-02	TOOL KIT JUEGO DE HERRAMIENTAS	1	1	1	

FIG. 7 STARTER

ARRANQUE



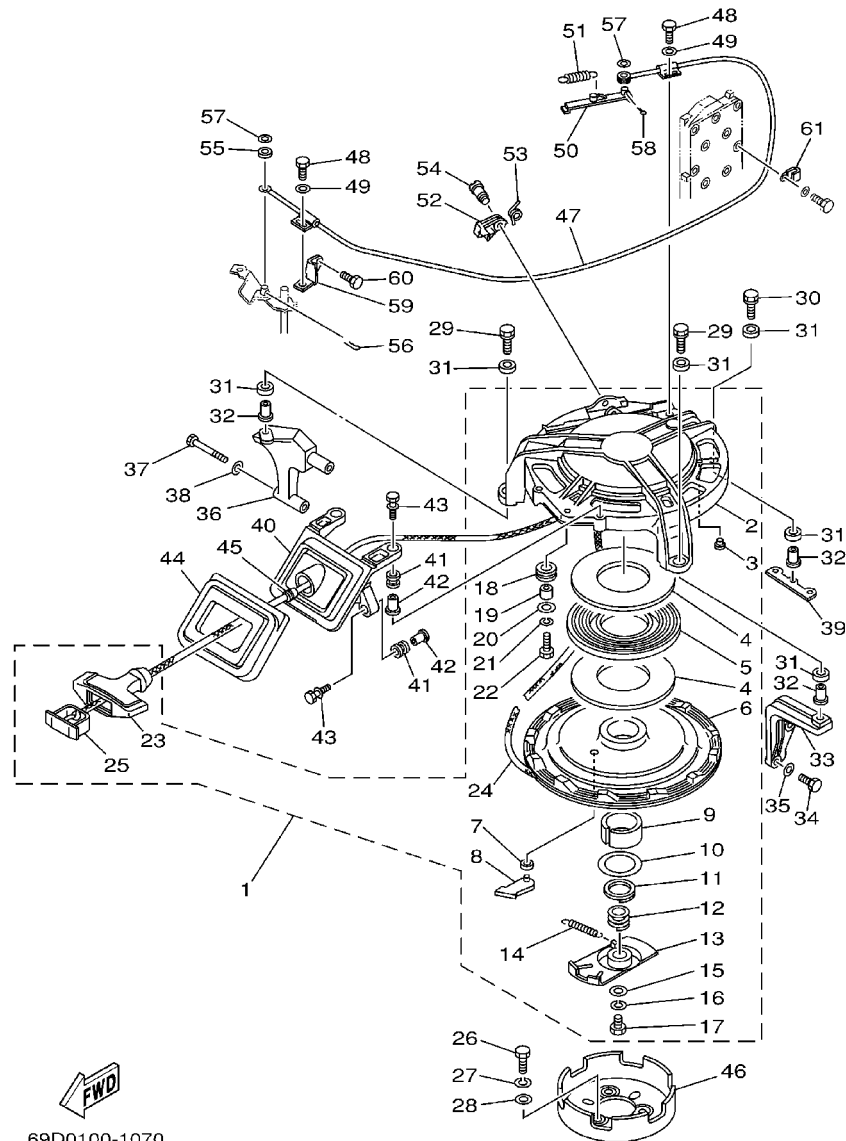
REF. NO.	PART NO. CODIGO NO.	DESCRIPTION DESCRIPTION	MHD	WHD	WD	REMARKS OBSERVACION
1	692-W1571-02	STARTER ASSY ARRANQUE COMPLETO	1	1	1	
2	692-15711-00	.CASE, STARTER .CAJA DE ARRANQUE	1	1	1	
3	648-15773-00	.STAY 3 .SOPORTE 3	5	5	5	
4	663-15739-00	.WASHER, THRUST .ARANDELA DE EMPUJE AXIAL	2	2	2	
5	663-15713-00	.SPRING, STARTER .RESORTE DE ARRANQUE	1	1	1	
6	663-15714-01	.DRUM, SHEAVE .TAMBOR ROLDANA	1	1	1	
7	663-15764-00	.COLLAR 1 .COLLAR 1	1	1	1	
8	663-15741-02	.PAWL, DRIVE .TRINQUETE DE TRACCION	1	1	1	
9	663-15754-00	.BUSH 2 .BUJE 2	1	1	1	
10	663-15726-01	.WASHER, FLAT .ARANDELA PLANA	1	1	1	
11	663-15744-00	.CIRCLIP .SEGURO	1	1	1	
12	663-15715-00	.SPRING, FRICTION .RESORTE PLACA DE TRACCION	1	1	1	
13	663-15716-01	.PLATE, DRIVE .PLACA DE TRACCION	1	1	1	
14	663-15734-01	.SPRING, RETURN .RESORTE DE RETORNO	1	1	1	
15	663-15719-00	.WASHER, THRUST .ARANDELA DE EMPUJE	1	1	1	
16	92903-06100	.WASHER, SPRING .RONDANA SENCILLA	1	1	1	
17	97303-06016	.BOLT .TORNILLO	1	1	1	
18	663-15752-00	.ROLLER, WIRE .RODILLO DE CUERDA	1	1	1	
19	663-15753-00	.BUSH .BUJE	1	1	1	
20	663-15791-00	.WASHER, LOCK .EMBLEMA	1	1	1	
21	92903-06100	.WASHER, SPRING .RONDANA SENCILLA	1	1	1	
22	97303-06025	.BOLT .TORNILLO	1	1	1	
23	689-15755-01	.HANDLE, STARTER .MANIJA DE ARRANQUE	1	1	1	
24	*	.WIRE (L:2300MM) .CABLE (L:2300MM)	1	1	1	
25	6F5-15779-02	.COVER .CUBIERTA	1	1	1	

* CUT FROM 50M ROLLS, PART NO. 90890-44374, CUTTING LENGTH 2.3M

* CORTE DE UN RODILLO DE 50M , PARTS NUMERO 90890-44374, LARGO DEL CORTE 2.3M

FIG. 7 STARTER

ARRANQUE



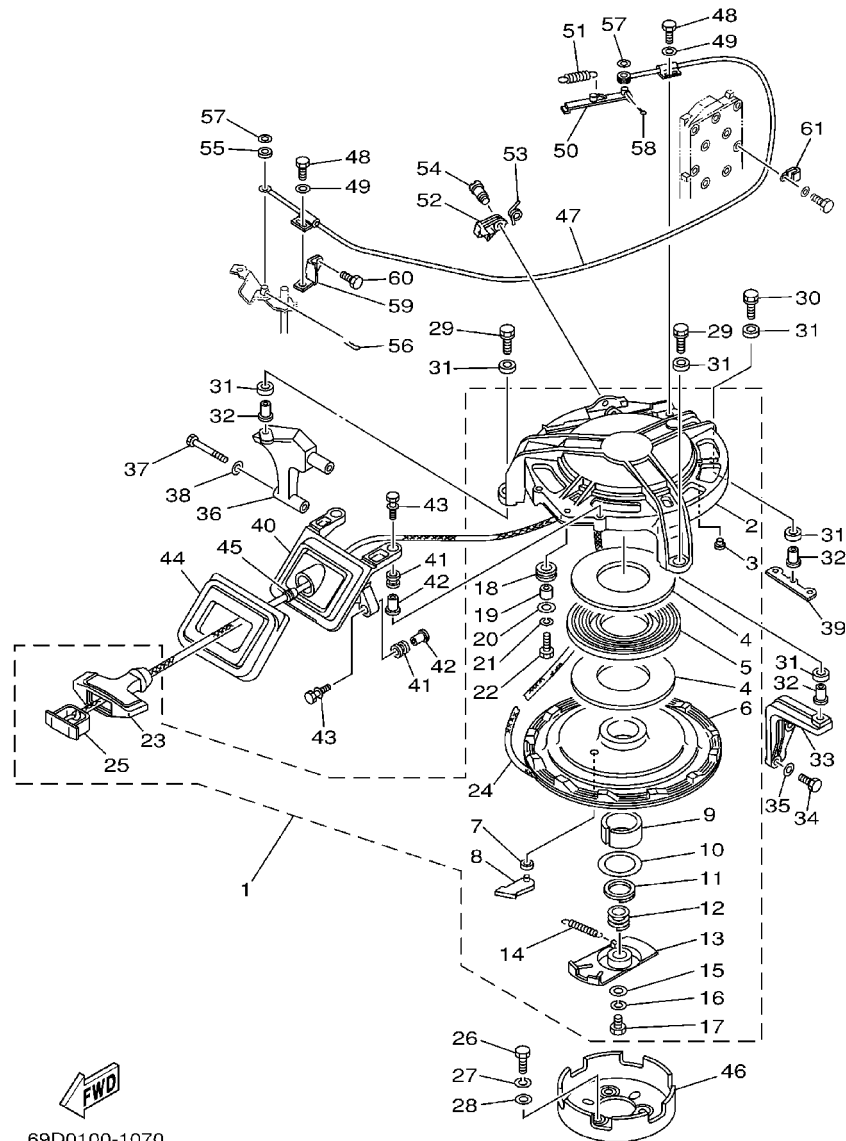
REF. NO.	PART NO. CODIGO NO.	DESCRIPTION DESCRIPTION	MHD	WHD	WD	REMARKS OBSERVACION
26	97013-08012	BOLT PERNO	3	3	3	
27	92903-08100	WASHER, SPRING RONDANA SENCILLA	3	3	3	
28	92903-08600	WASHER, PLATE ARANDELA PLANA	3	3	3	
29	90119-08M28	BOLT, WITH WASHER TORNILLO CON ARANDELA	2	2	2	
30	90119-08M32	BOLT, WITH WASHER TORNILLO CON ARANDELA	1	1	1	
31	90385-12M04	BUSH BUJE	6	6	6	
32	90387-08M05	COLLAR COLLAR	3	3	3	
33	6K5-15771-00-94	STAY 1 SOPORTE 1	1	1	1	
34	97013-06025	BOLT PERNO	2	2	2	
35	92903-06600	WASHER, PLATE RONDANA SENCILLA	2	2	2	
36	6K5-15772-00-94	STAY 2 SOPORTE 2	1	1	1	
37	97013-06055	BOLT PERNO	2	2	2	
38	92903-06600	WASHER, PLATE RONDANA SENCILLA	2	2	2	
39	6K5-15773-01	STAY 3 SOPORTE 3	1	1	1	
40	6K5-15758-01-94	GUIDE, ROPE GUIA DE CUERDA	1	1	1	
41	6A0-82317-00	DAMPER, IGNITION COIL AMORTIGUADOR BOBINA ENCENDIDO	4	4	4	
42	624-42542-00	PIPE TUBO	4	4	4	
43	90119-06M65	BOLT, WITH WASHER TORNILLO CON ARANDELA	4	4	4	
44	6K5-15762-00	SEAL, RUBBER 2 SELLO DE GOMA 2	1	1	1	
45	697-15789-00	DAMPER AMORTIGUADOR	1	1	1	
46	6K5-15723-00	PULLEY, STARTER POLEA DE ARRANQUE	1	1	1	
47	6K5-15770-01	CABLE COMP., STARTER STOP CABLECOMPL DE SEGURO ARRANQUE	1	1	1	
48	97095-06012	BOLT PERNO	2	2	2	
49	92995-06600	WASHER ARANDELA	2	2	2	
50	663-15735-01	GUIDE, CAM GUIA DE LEVA	1	1	1	
51	90506-08M23	SPRING, TENSION RESORTE DE TENSION	1	1	1	
52	663-15794-00	STOPPER TOPE	1	1	1	



69D0100-1070

FIG. 7 STARTER

ARRANQUE

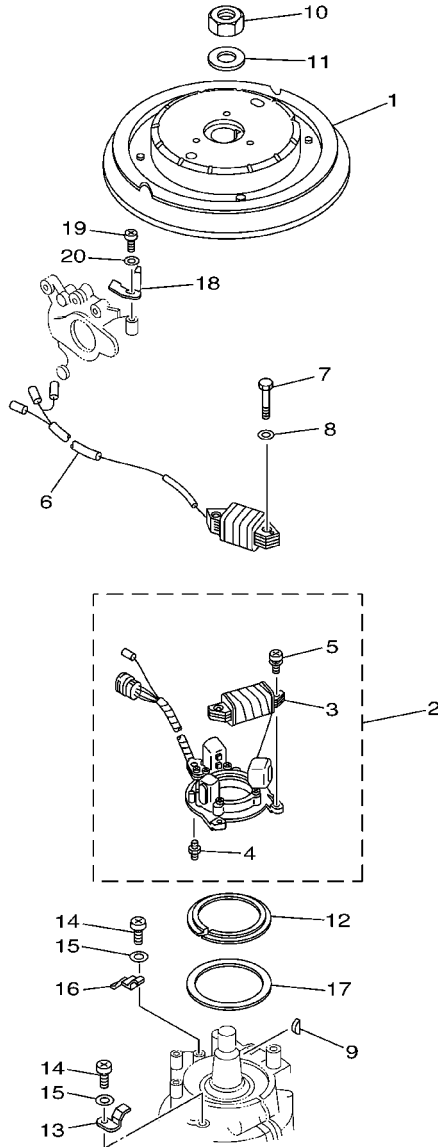


REF. NO.	PART NO. CODIGO NO.	DESCRIPTION DESCRIPTION	MHD	WHD	WD	REMARKS OBSERVACION
53	90508-12015	SPRING, TORSION RESORTE DE TORSION	1	1	1	
54	90149-05095	SCREW TORNILLO DE REGLAJE	1	1	1	
55	663-15736-00	RING, RETAINING 1 ANILLO DE RETEN	1	1	1	
56	90468-18008	CLIP PRESILLA	1	1	1	
57	92903-06200	WASHER, PLAIN RONDANA SENCILLA	2	2	2	
58	91490-16012	PIN, COTTER CHAVETA	1	1	1	
59	6K5-15774-00	STAY 4 SOPORTE 4	1	1	1	
60	97013-06012	BOLT PERNO	1	1	1	
61	90465-06M90	CLAMP BRIDA	1	1	1	

FWD
69D0100-1070

FIG. 8 GENERATOR

GENERADOR

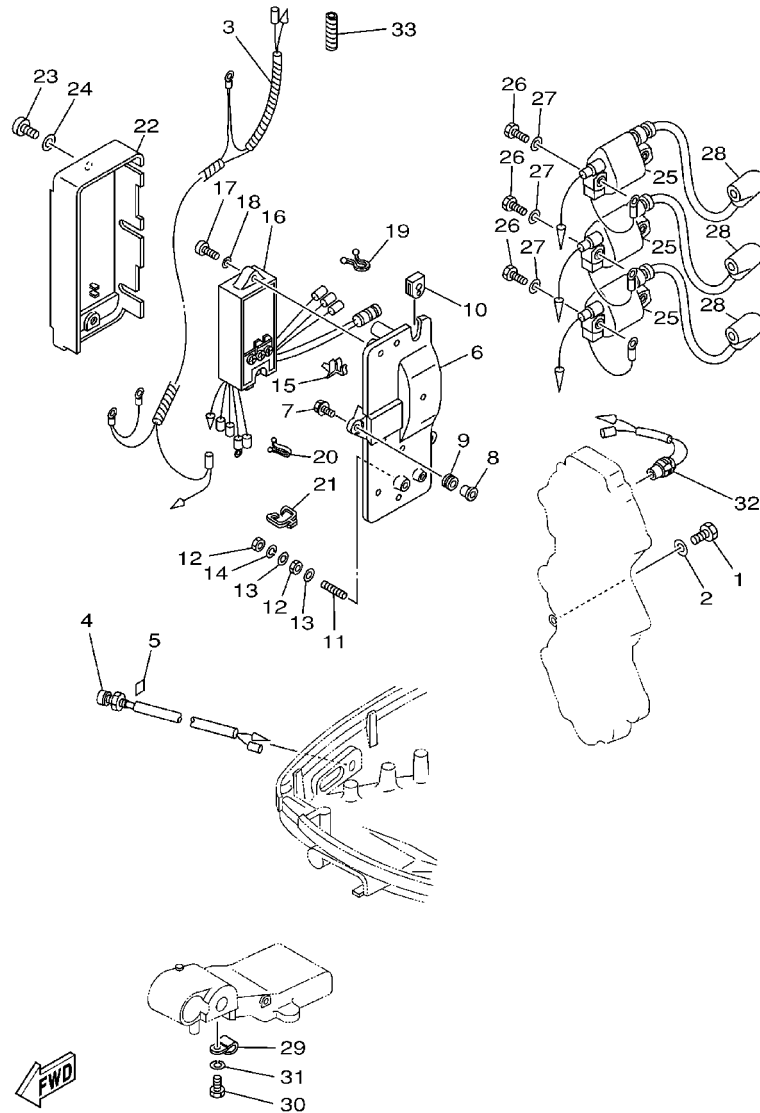


69D0300-1080

REF. NO.	PART NO. CODIGO NO.	DESCRIPTION DESCRIPTION	MHD	WHD	WD	REMARKS OBSERVACION
1	6K5-85550-10	ROTOR ASSY	1			
	6K5-85550-A0	ROTOR COMPLETO				
	6K5-85550-A0	ROTOR ASSY		1	1	
	6K5-85550-A0	ROTOR COMPLETO				
2	6H3-85510-A1	STATOR ASSY	1	1	1	
	6H3-85510-A1	ESTATOR COMPLET				
3	6H3-85520-00	.COIL, CHARGE	1	1	1	
	6H3-85520-00	.BOBINA DE CARGA				
4	663-85518-00	.JOINT, BALL	1	1	1	
	663-85518-00	.CONECTOR				
5	97902-05125	.SCREW, WITH WASHER	2	2	2	
	97902-05125	.TORNILLO, CON ARANDELA				
6	6H3-85533-A0	COIL, LIGHTING	1	1	1	
	6H3-85533-A0	BOBINA DE LUZ				
7	97013-06030	BOLT	2	2	2	
	97013-06030	PERNO				
8	92903-06600	WASHER, PLATE	2	2	2	
	92903-06600	RONDANA SENCILLA				
9	90280-05015	KEY, WOODRUFF	1	1	1	
	90280-05015	CUNA WOODRUFF				
10	90170-20137	NUT	1	1	1	
	90170-20137	TUERCA				
11	90201-21M18	WASHER, PLATE	1	1	1	
	90201-21M18	ARANDELA PLANA				
12	6H4-41611-00	RETAINER, MAGNETO BASE	1	1	1	
	6H4-41611-00	RETENEDOR BASE MAGNETO				
13	6H3-41612-00	RETAINER, MAGNETO BASE	2	2	2	
	6H3-41612-00	RETENEDOR BASE MAGNETO				
14	97885-06012	SCREW, PAN HEAD	3	3	3	
	97885-06012	TORNILLO A MUESCA				
15	92995-06600	WASHER	3	3	3	
	92995-06600	ARANDELA				
16	6H3-41612-10	RETAINER, MAGNETO BASE	1	1	1	
	6H3-41612-10	RETENEDOR BASE MAGNETO				
17	6K5-41618-00	WASHER, MAGNETO	1	1	1	
	6K5-41618-00	RONDANA, MAGNETO				
18	6K5-81332-60	PLATE, TIMING	1			
	6K5-81332-60	PLACA REGULADOR DE TIEMPO				
	6K5-81332-60	PLATE, TIMING		1	1	
	6K5-81332-60	PLACA REGULADOR DE TIEMPO				
19	97885-06010	SCREW, PAN HEAD	1	1	1	
	97885-06010	TORNILLO A MUESCA				
20	92995-06600	WASHER	1	1	1	
	92995-06600	ARANDELA				

FIG. 9 ELECTRICAL 1

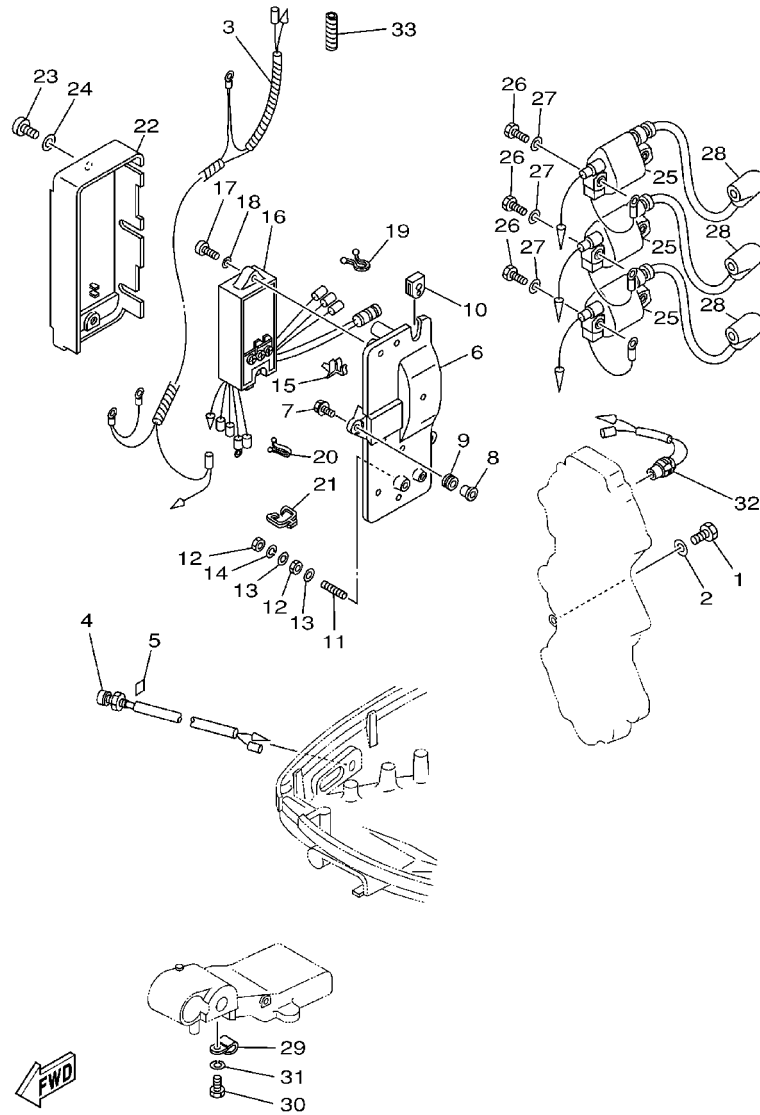
EQUIPO ELECTRICO 1



REF. NO.	PART NO. CODIGO NO.	DESCRIPTION DESCRIPTION	MHD	WHD	WD	REMARKS OBSERVACION
1	97013-06012	BOLT PERNO	1	1		
2	92903-06600	WASHER, PLATE RONDANA SENCILLA	1	1		
3	6K5-82531-00	WIRE, LEAD CABLE CONDUCTOR	1			
4	6H4-85411-00	OVERHEAT WARNING LAMP CALENTAR DEMASIADO DEL ALARMA	1	1		
5	6H4-85415-00	MARK, SIGNAL LAMP MARCO DE FOCO DE SENAL	1	1		
6	6H3-85542-00-94	BRACKET SOPORTE	1	1	1	
7	90105-06M14	BOLT FLANGE TORNILLO	3	3	3	
8	90387-06M43	COLLAR COLLAR	3	3	3	
9	90480-13M24	GROMMET TAPON	3	3	3	
10	6H3-81922-00	GROMMET TAPON PROTECTOR	1	1	1	
11	90116-06M07	BOLT, STUD ESPARRAGO	1	1	1	
12	95380-06700	NUT TUERCA	2	2	2	
13	92990-06200	WASHER, PLAIN ARANDELA PLANA	2	2	2	
14	92990-06100	WASHER, SPRING ARANDELA GROWER	1	1	1	
15	90464-04M12	CLAMP BRIDA	1	1	1	
16	6H3-85540-11	C.D.I. UNIT ASSY UNIDAD C.D.I. COMPLETA	1	1	1	
17	97880-06025	SCREW, PAN HEAD TORNILLO DE CABEZA CON PLANA	2	2	2	
18	92990-06600	WASHER, PLATE ARANDELA PLANA	2	2	2	
19	90464-08M07	CLAMP BRIDA	1	1	1	
20	90464-12M17	CLAMP BRIDA	1	1	1	
21	90464-07M10	CLAMP BRIDA	1	1	1	
22	6H3-81916-00	COVER, TERMINAL CUBIERTA DE TERMINAL	1	1	1	
23	97885-06012	SCREW, PAN HEAD TORNILLO A MUESCA	2	2	2	
24	92995-06600	WASHER ARANDELA	2	2	2	
25	6H3-85570-10	IGNITION COIL ASSY BOBINA DE IGNICION COMPLETO	3	3	3	
26	97013-06025	BOLT PERNO	6	6	6	
27	92903-06600	WASHER, PLATE RONDANA SENCILLA	6	6	6	

FIG. 9 ELECTRICAL 1

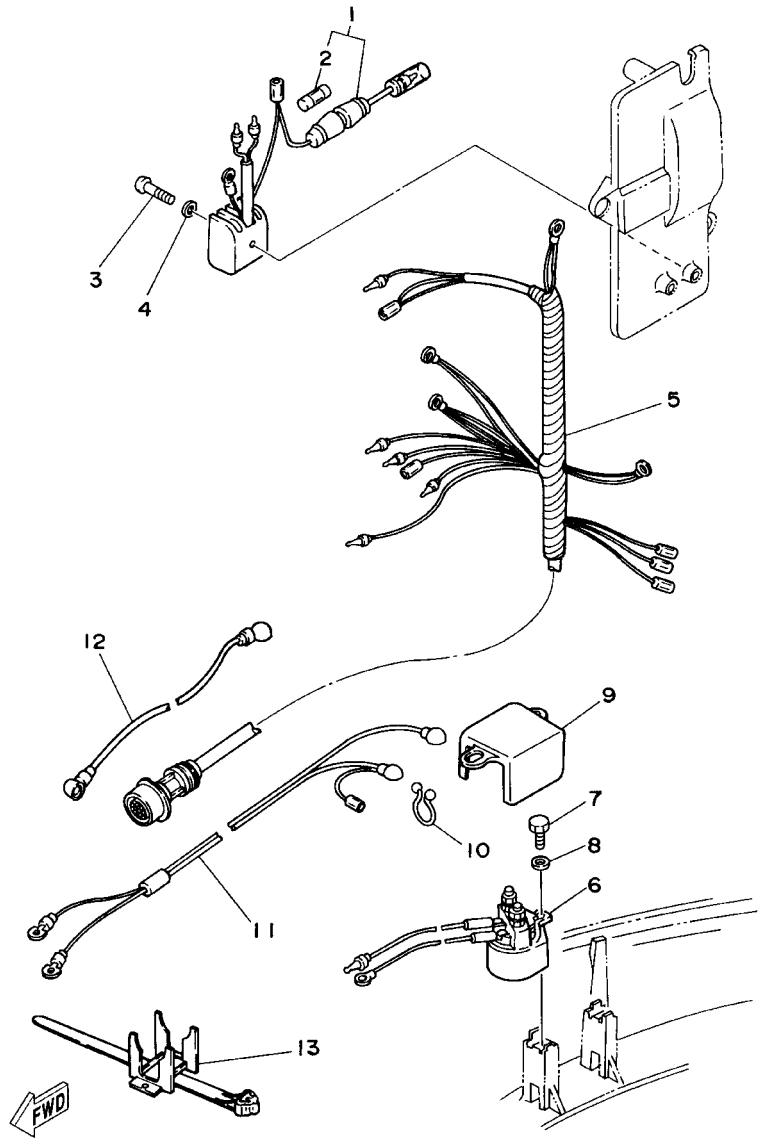
EQUIPO ELECTRICO 1



REF. NO.	PART NO. CODIGO NO.	DESCRIPTION DESCRIPTION	MHD	WHD	WD	REMARKS OBSERVACION
28	663-82370-01	PLUG CAP ASSY TAPON DE BUJIA COMPLT	3	3	3	FOR CARIB
	6G1-82370-21	PLUG CAP ASSY TAPON DE BUJIA COMPLT	3	3		
29	90465-06M90	CLAMP BRIDA	1			
30	97013-06012	BOLT PERNO	1			
31	92903-06100	WASHER, SPRING RONDANA, SENCILLA	1			
32	688-82560-10	THERMO SWITCH ASSY INTER. DE TERMO	1	1	1	
33	90446-10M02	HOSE TUBO RESEIRADERO	1	1	1	

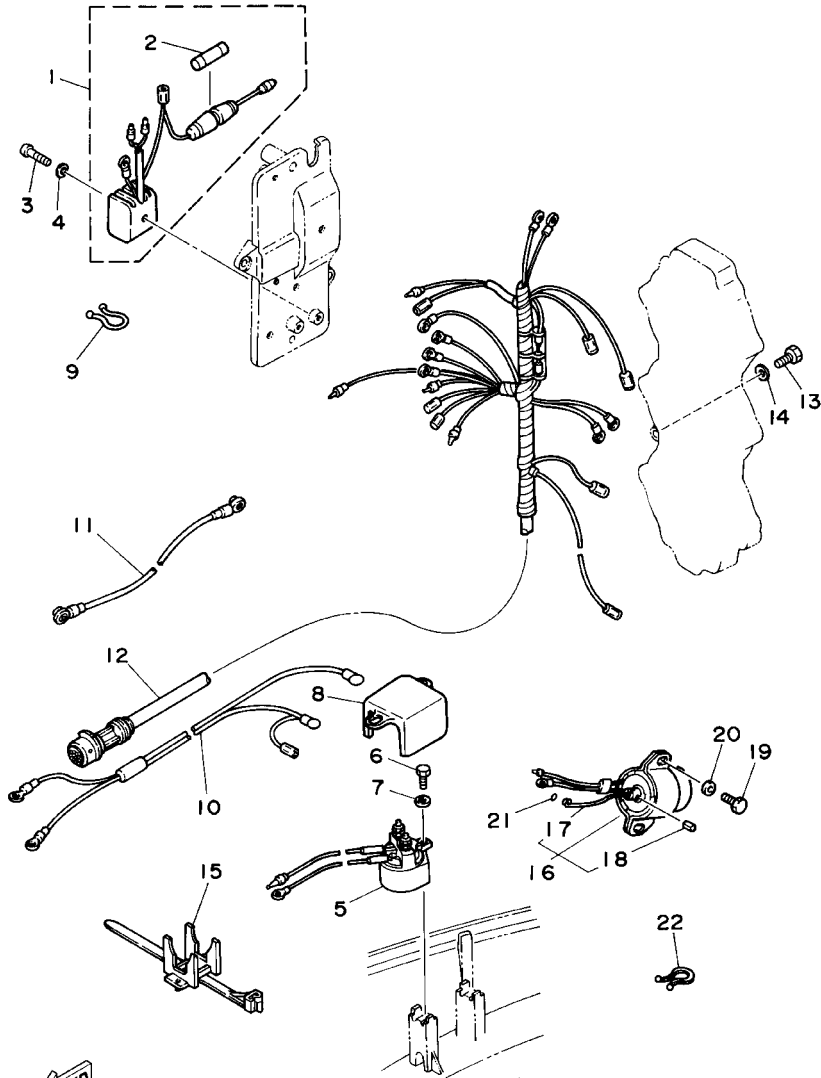
FIG. 10 ELECTRICAL 2

EQUIPO ELECTRICO 2



6K50100-4110

REF. NO.	PART NO. CODIGO NO.	DESCRIPTION DESCRIPTION	MHD	WHD	WD	REMARKS OBSERVACION
1	6G1-81970-61	RECTIFIER ASSY RECTIFICADOR COMPLETO		1		
2	6G1-82151-00	.FUSE (10A) .FUSIBLE (10A)		1		
3	97880-05025	SCREW, PAN HEAD TORNILLO DE CABEZA CON PLANA		1		
4	92990-05600	WASHER, PLATE ARANDELA PLANA		1		
5	6K5-82590-00	WIRE HARNESS ASSY CONJUNTO DE CABLES		1		
6	688-81950-10	RELAY ASSY RELE COMPLETO		1		
7	97013-06016	BOLT PERNO		1		
8	92903-06600	WASHER, PLATE RONDANA SENCILLA		1		
9	6H3-82164-00	CASE 2 BUJE		1		
10	90464-15M11	CLAMP BRIDA		1		
11	6H3-82105-01	WIRE HARNESS ARNES DE CABLES		1		
12	6H3-82117-00	WIRE, LEAD CABLE CONDUCTOR		1		
13	688-82594-00	CLAMP GRAMPA		1		



6K50200-4110

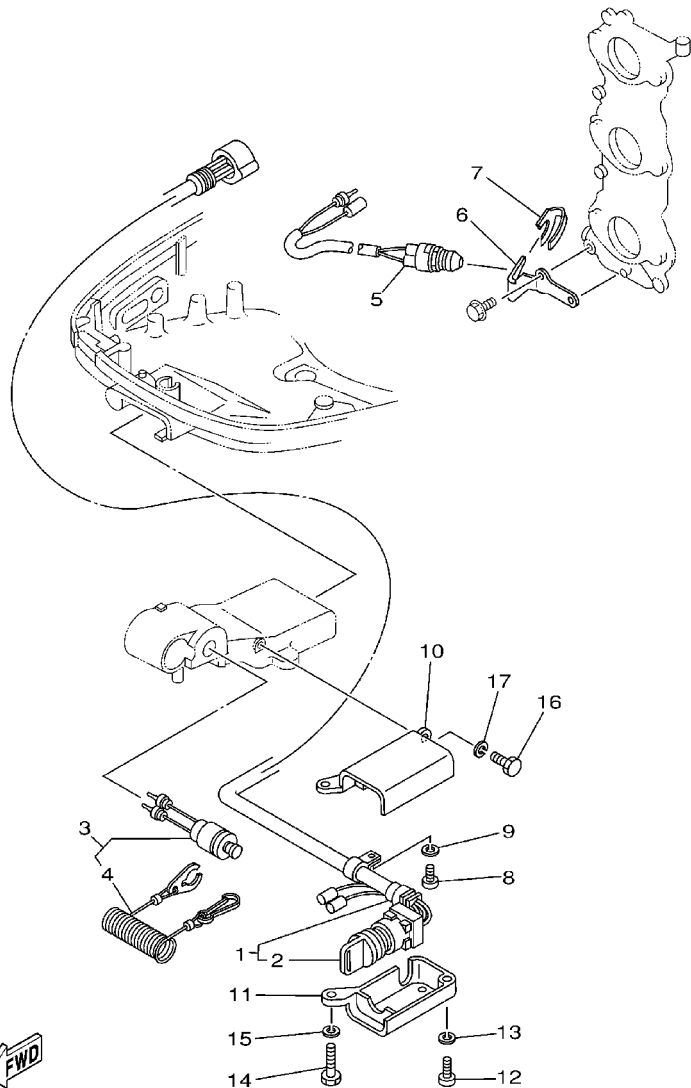
FIG. 11 ELECTRICAL 3

EQUIPO ELECTRICO 3

REF. NO.	PART NO. CODIGO NO.	DESCRIPTION DESCRIPTION	MHD	WHD	WD	REMARKS OBSERVACION
1	6G1-81970-61	RECTIFIER ASSY RECTIFICADOR COMPLETO			1	
2	6G1-82151-00	.FUSE (10A) .FUSIBLE (10A)			1	
3	97880-05025	SCREW, PAN HEAD TORNILLO DE CABEZA CON PLANA			1	
4	92990-05600	WASHER, PLATE ARANDELA PLANA			1	
5	688-81950-10	RELAY ASSY RELE COMPLETO			1	
6	97013-06016	BOLT PERNO			1	
7	92903-06600	WASHER, PLATE RONDANA SENCILLA			1	
8	6H3-82164-00	CASE 2 BUJE			1	
9	90464-15M11	CLAMP BRIDA			1	
10	6H3-82105-01	WIRE HARNESS ARNES DE CABLES			1	
11	6H3-82117-00	WIRE, LEAD CABLE CONDUCTOR			1	
12	6H3-82590-01	WIRE HARNESS ASSY CONJUNTO DE CABLES			1	
13	97013-06012	BOLT PERNO			1	
14	92903-06600	WASHER, PLATE RONDANA SENCILLA			1	
15	688-82594-00	CLAMP GRAMPA			1	
16	6H3-86110-02	SOLENOID SOLENOIDE			1	
17	6H3-86116-00	.WIRE, PULL .ALAMBRE-JALADOR			1	
18	91690-30010	.PIN, SPRING .PASADOR DE RESORTE			1	
19	97013-06016	BOLT PERNO			2	
20	92903-06600	WASHER, PLATE RONDANA SENCILLA			2	
21	93210-03261	O-RING JUNTA TORICA			1	
22	90465-18147	CLAMP BRIDA			1	

FIG. 12 ELECTRICAL 4

EQUIPO ELECTRICO 4

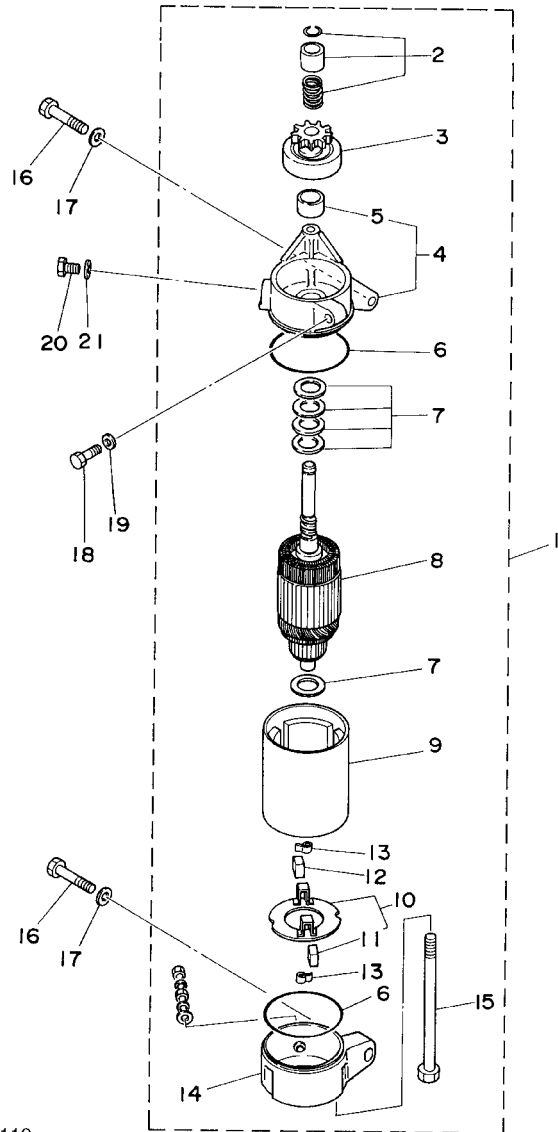


69D1100-2110

REF. NO.	PART NO. CODIGO NO.	DESCRIPTION DESCRIPTION	MHD	WHD	WD	REMARKS OBSERVACION
1	6H3-82510-02	MAIN SWITCH ASSY CONJUNTO DE LLAVE IGNICION		1		
2	676-82577-00	.CAP. KEY .TAPA		1		
3	688-82575-01	ENGINE STOP SWITCH ASSY INTERRUPTOR DE PARADA COMPL		1		
4	682-82556-00	.STOPPER .RETENER		1		
5	6H3-82540-00	NEUTRAL SWITCH ASSY INTERRUPTOR NEUTRAL COMPL		1		
6	6H3-82554-00	STAY, NEUTRAL SWITCH SOPORTE INTERRUPTOR DE NEUTRAL		1		
7	663-82555-01	DAMPER, MAIN SWITCH 1 AMORT.DE INTER.PPAL.1		1		
8	97885-06012	SCREW, PAN HEAD TORNILLO A MUESCA		1		
9	92995-06100	WASHER, SPRING ARANDELA		1		
10	697-8252E-01-4D	MAIN SWITCH COMP. INTERRUPTOR PRINC. COMPLETO		1		
11	697-8252F-01-4D	COVER, MAIN SWITCH CUBIELA INTERRUPTOR PRINC.2		1		
12	97880-06025	SCREW, PAN HEAD TORNILLO DE CABEZA CON PLANA		1		
13	92990-06100	WASHER, SPRING ARANDELA GROWER		1		
14	97013-06030	BOLT PERNO		1		
15	92903-06100	WASHER, SPRING RONDANA SENCILLA		1		
16	97013-06020	BOLT PERNO		1		
17	92903-06100	WASHER, SPRING RONDANA SENCILLA		1		

FIG. 13 STARTING MOTOR

MOTOR DE ARRANQUE

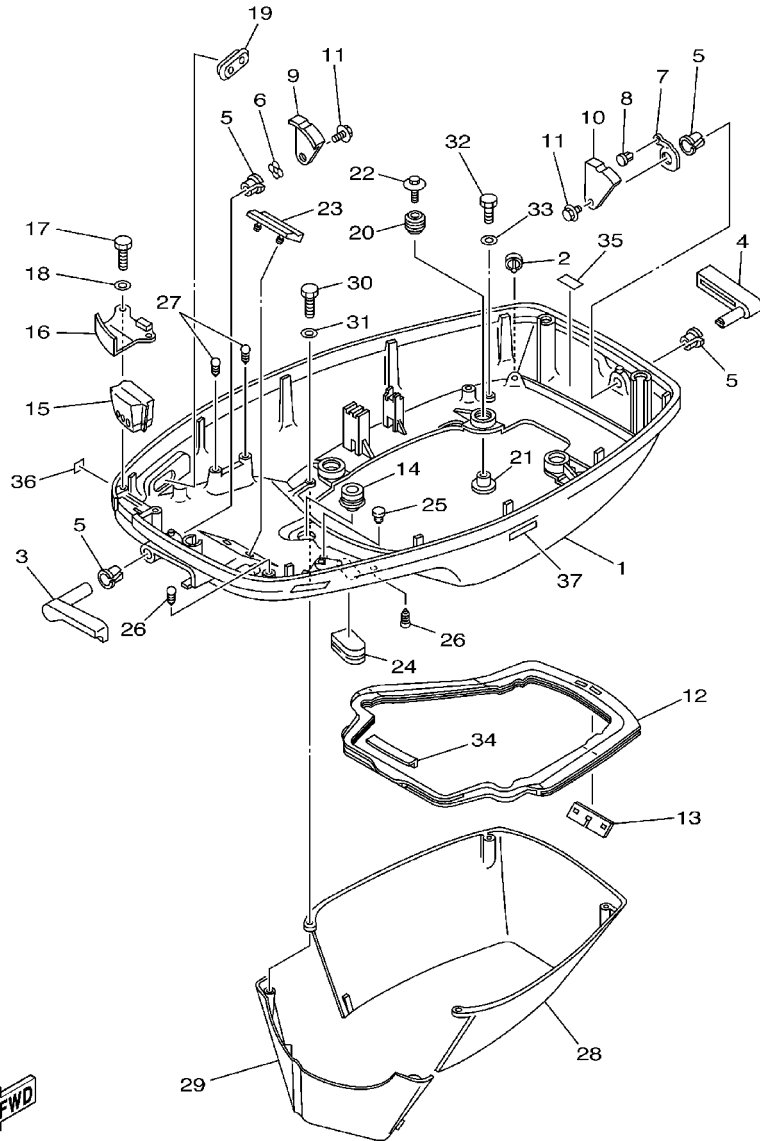



6H30010-4110

REF. NO.	PART NO. CODIGO NO.	DESCRIPTION DESCRIPTION	MHD	WHD	WD	REMARKS OBSERVACION
1	6H3-81800-11	STARTING MOTOR ASSY MOTOR DE ARRANQUE COMPLETO		1		
2	689-81857-11	.PINION STOPPER SET .JUEGO TAPON PINON		1		
3	6H3-81807-10	.GEAR ASSY, STARTING MOTOR .PINON CONJUNTO		1		
4	6H3-81830-10	.FRONT BRACKET ASSY .SOPORTE DELANTERO COMPLETO		1		
5	689-81831-00	..METAL, FRONT ..METAL, DELANTERO		1		
6	689-81847-11	.O-RING .ANILLO GOMA		2		
7	689-81809-11	.WASHER KIT .JUEGO DE ARANDELA		1		
8	689-81850-12	.ARMATURE ASSY .INDUCIDO COMPLETO		1		
9	6H3-81810-10	.STATOR ASSY .ESTATOR COMPLETO		1		
10	689-81840-11	.BRUSH HOLDER ASSY .SOSTEN DE ESCOBILLA COMPLETO		1		
11	689-81812-11	..BRUSH 2 ..ESCOBILLA 2		1		
12	689-81811-11	.BRUSH 1 .ESCOBILLA 1		1		
13	689-81813-10	.SPRING, BRUSH .RESORTE DE ESCOBILLA		2		
14	6H3-81820-11	.REAR BRACKET ASSY .CUBIERTA TRASERA COMPL		1		
15	689-81826-10	.BOLT .PERNO		2		
16	97013-08035	BOLT PERNO		2		
17	92903-08600	WASHER, PLATE ARANDELA PLANA		2		
18	97013-06025	BOLT PERNO		1		
19	92903-06600	WASHER, PLATE RONDANA SENCILLA		1		
20	97013-08016	BOLT PERNO		1		
21	92903-08600	WASHER, PLATE ARANDELA PLANA		1		

FIG. 14 BOTTOM COWLING

CUBIERTA INFERIOR

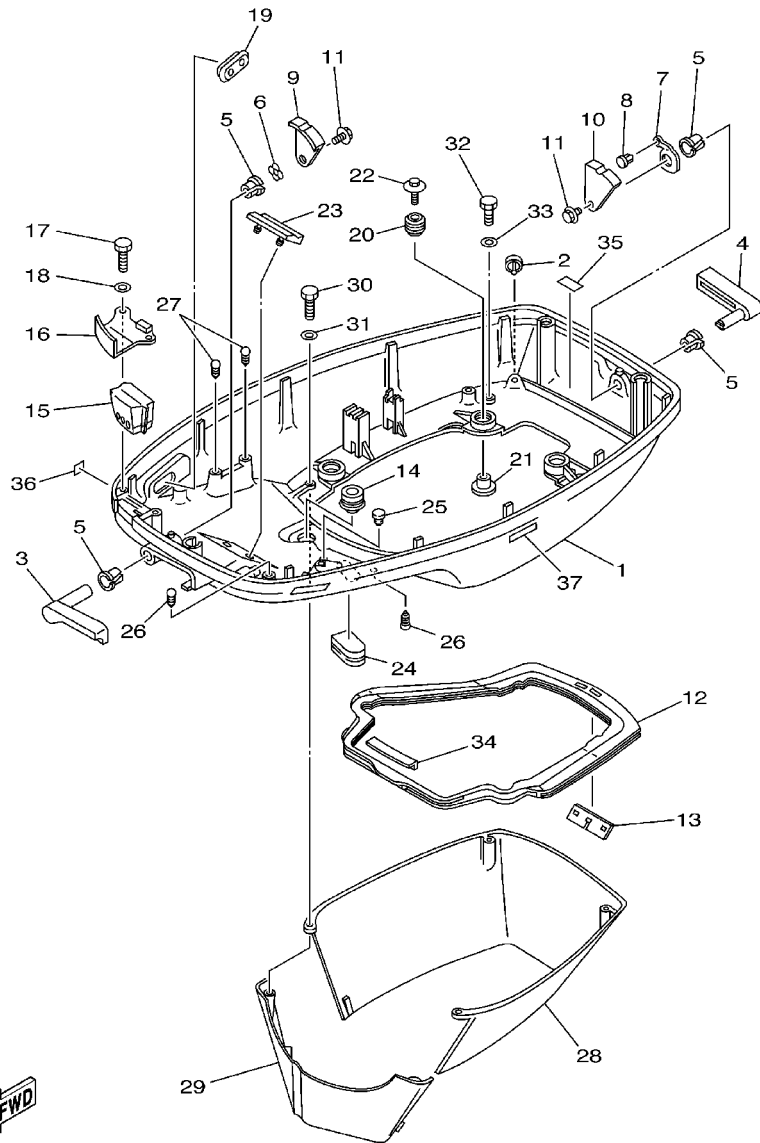


69D1300-2100

REF. NO.	PART NO. CODIGO NO.	DESCRIPTION DESCRIPTION	MHD	WHD	WD	REMARKS OBSERVACION
1	6H3-42711-14-4D	COWLING, BOTTOM CUBIERTA INFERIOR	1	1		
	6H3-42711-05-4D	COWLING, BOTTOM CUBIERTA INFERIOR			1	
2	69D-44391-00	NIPPLE, HOSE NIPLE MANGUERA	1	1	1	
3	6H3-42815-01-4D	LEVER, CLAMP PALANCA ABRAZADERA	1	1	1	
4	6H3-42817-01-4D	LEVER, CLAMP PALANCA ABRAZADERA	1	1	1	
5	90386-13M38	BUSH BUJE	4	4	4	
6	90206-13M10	WASHER, WAVE ARANDELA ONDULADA	1	1	1	
7	6H3-42813-00	SPRING, CLAMP LEVER RESORTE	1	1	1	
8	90269-04M03	RIVET REMACHE	1	1	1	
9	6H3-42816-00	LEVER, CLAMP PALANCA ABRAZADERA	1	1	1	
10	6H3-42818-00	LEVER, CLAMP PALANCA, ABRAZADERA	1	1	1	
11	90119-06M09	BOLT, WITH WASHER TORNILLO CON ARANDELA	2	2	2	
12	6H3-42716-02	RUBBER, SEAL 1 SELLO DE GOMA 1	1	1	1	
13	6K5-42717-00	RUBBER, SEAL 2 GOMA	1	1	1	
14	6E5-42724-00	GROMMET TAPON	1	1	1	
15	6K5-42725-00	GROMMET TAPON	1			
	6H3-42725-20	GROMMET TAPON		1		
	6H3-42725-00	GROMMET TAPON			1	
16	6H3-42738-01-5B	PLATE, FITTING PLACA DE AJUSTE	1	1	1	
17	97095-06016	BOLT PERNO	2	2	2	
18	92995-06600	WASHER ARANDELA	2	2	2	
19	6H3-42727-00	GROMMET TAPON	1	1	1	
20	90480-09M12	GROMMET TAPON	4	4	4	
21	90387-06M69	COLLAR COLLAR	4	4	4	
22	90119-06M61	BOLT, WITH WASHER TORNILLO CON ARANDELA	4	4	4	
23	6H3-42768-00	DAMPÉR AMORTIGUADOR	1	1	1	
24	6H4-42726-00	GROMMET TAPON	1	1	1	

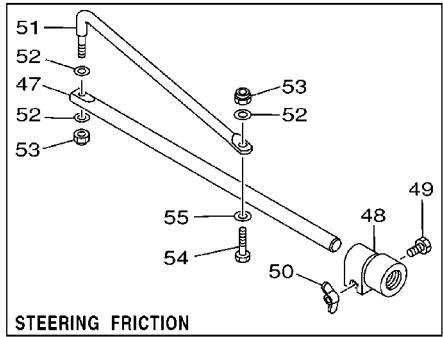
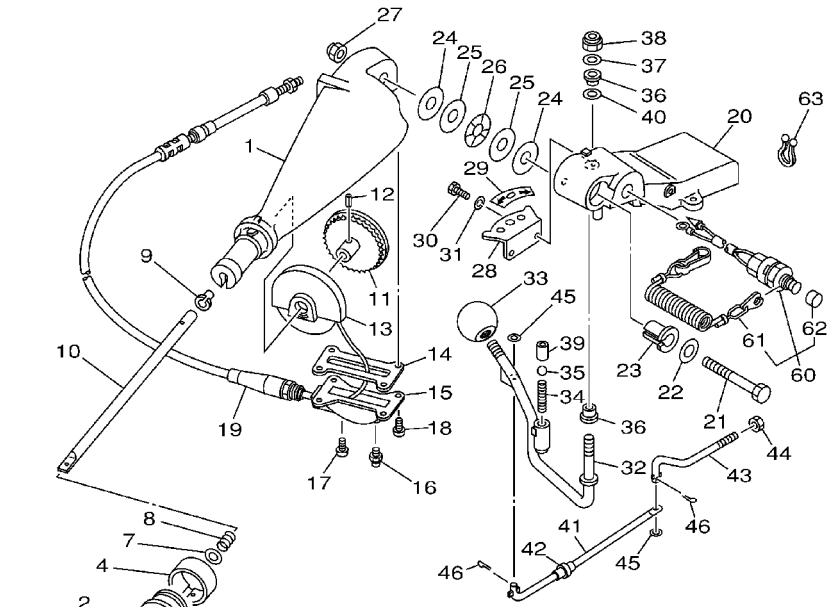
FIG. 14 BOTTOM COWLING

CUBIERTA INFERIOR

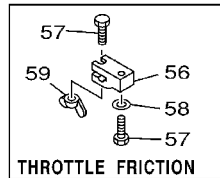


69D1300-2100

REF. NO.	PART NO. CODIGO NO.	DESCRIPTION DESCRIPTION	MHD	WHD	WD	REMARKS OBSERVACION
25	703-82119-00	COVER, LEAD WIRE CUBIERTA DE CABLE CONDUCTOR	2	2	2	
26	90338-05M03	PLUG TAPON	2	2	2	
27	90338-05M03	PLUG TAPON	2		2	
28	6H3-42741-01-4D	APRON MANDIL	1	1	1	
29	6H3-42771-01-4D	APRON MANDIL	1	1	1	
30	97095-06025	BOLT PERNO	2	2	2	
31	92995-06600	WASHER ARANDELA	2	2	2	
32	97095-06020	BOLT PERNO	2	2	2	
33	92995-06600	WASHER ARANDELA	2	2	2	
34	6H3-42718-00	RUBBER, SEAL 3 GOMA	1	1	1	
35	6G5-42791-00	MARK 1 MARCA 1	1	1	1	
	6G5-42791-10	MARK 1 MARCA 1	1	1	1	FOR CARIB, CHINA
36	6A1-28176-00	LABEL, CAUTION ETIQUETA DE PRECAUCION	1	1		FOR CARIB
37	6E3-8257H-00	PLATE, MARK PLACA DE MARCA	1	1		FOR CARIB



STEERING FRICTION



THROTTLE FRICTION

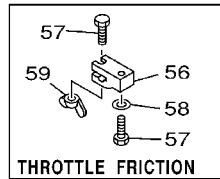
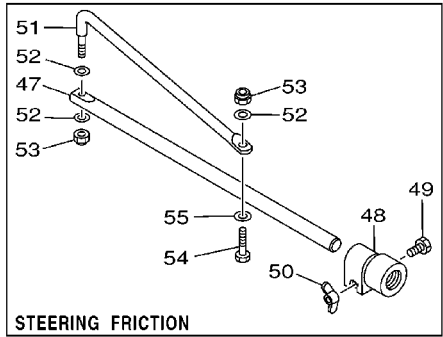
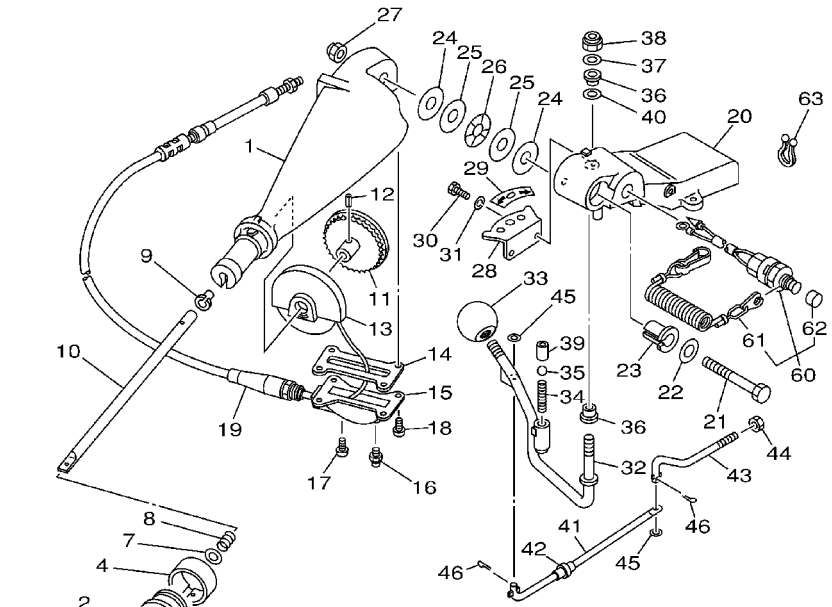


69D0100-1140

FIG. 15 STEERING

DIRECCION

REF. NO.	PART NO. CODIGO NO.	DESCRIPTION DESCRIPTION	MHD	WHD	WD	REMARKS OBSERVACION
1	663-42111-02-4D	HANDLE, STEERING MANIJA DE DIRECCION	1	1		
	692-42111-21-4D	HANDLE, STEERING MANIJA DE DIRECCION	1	1		PULL TO OPEN TYPE
2	664-42119-00	GRIP, STEERING HANDLE MANGO, MANIJA DE DIRRECCION	1	1		
3	6F6-42177-A0	RUBBER, HANDLE HULE DE MANIJA	1	1		
4	6K5-42137-00	INDICATOR, THROTTLE INDICADOR ACELERADOR	1	1		
5	90269-02M09	RIVET REMACHE	1	1		
6	90149-05M13	SCREW TORNILLO DE REGLAJE	1	1		
7	92903-10600	WASHER, PLATE RONDANA SENCILLA	1	1		
8	90501-23215	SPRING, COMPRESSION RESORTE DE COMPRESION	1	1		
9	90386-08032	BUSH BUJE	1	1		
10	663-42115-00	SHAFT, STEERING HANDLE EJE MANIJA DE DIRECCION	1	1		
	692-42115-00	SHAFT, STEERING HANDLE EJE MANIJA DE DIRECCION	1	1		PULL TO OPEN TYPE
11	663-42138-00	LEVER, THROTTLE PLANCA DE ACELERACION	1	1		
12	90254-03003	PIN, SPRING PASADOR DE TIPO A RESORTE	1	1		
13	663-42135-01	HOUSING, THROTTLE LEVER CAJA PALANCA ACELERADOR	1	1		
14	663-42133-01	GASKET EMPAQUE	1	1		
15	663-42134-03-94	COVER, THROTTLE LEVER CUBIERTA PALANCA ACELERADOR	1	1		
16	93700-06M03	NIPPLE, GREASE BOQUILLA DE ENGRASAR	1	1		
17	97885-06008	SCREW, PAN HEAD TORNILLO A MUESCA	1	1		
18	97885-05012	SCREW, PAN HEAD TORNILLO A MUESCA	4	4		
19	692-26301-03	THROTTLE CABLE ASSY CABLE DE ACELERADOR COMPLETO	1	1		
20	692-42121-02-4D	BRACKET SOPORTE	1	1		
21	90101-12M06	BOLT TORNILLO	1	1		
22	92990-12200	WASHER, PLAIN ARANDELA PLANA	1	1		
23	90386-12089	BUSH BUJE	1	1		
24	90202-12092	WASHER, PLATE ARANDELA DE PLANA	2	2		
25	90201-12537	WASHER, PLATE ARANDELA PLANA	2	2		

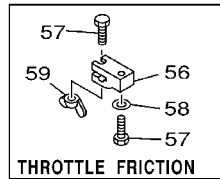
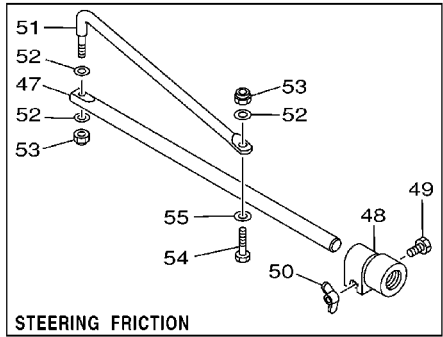
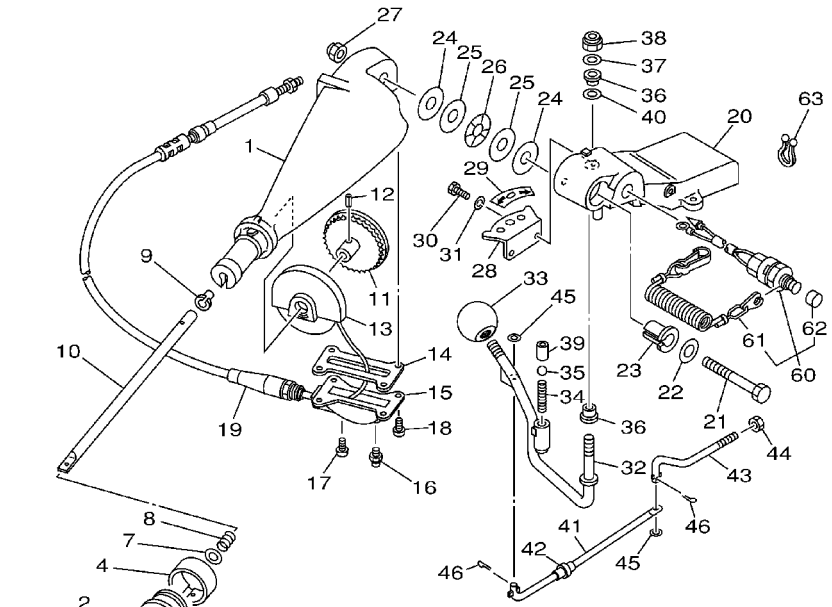


69D0100-1140

FIG. 15 STEERING

DIRECCION

REF. NO.	PART NO. CODIGO NO.	DESCRIPTION DESCRIPTION	MHD	WHD	WD	REMARKS OBSERVACION
26	90206-12054	WASHER, WAVE ARANDELA ONDULADA	1	1		
27	90185-12058	NUT, SELF-LOCKING TUERCA AUTOBLOCANTE	1	1		
28	697-44113-00	CAM PLATE, HANDLE PLACA DE LA LEVA DEL MANGO	1	1		
29	6K5-44191-00	INDICATOR, SHIFT INDICADOR DE CAMBIOS	1	1		
30	97013-06016	BOLT PERNO	2	2		
31	92903-06100	WASHER, SPRING RONDANA SENCILLA	2	2		
32	692-44159-01	HANDLE, GEAR SHIFT MANIJA DE CAMBIO DE MARCHAS	1	1		
33	663-44173-00	LEVER, SHIFT CONTROL PALANCA CONTROL CAMBIOS	1	1		
34	90501-16M17	SPRING, COMPRESSION RESORTE DE COMPRESION	1	1		
35	93515-32M01	BALL ESFERA	1	1		
36	90386-10009	BUSH BUJE	2	2		
37	90201-10120	WASHER, PLATE ARANDELA PLANA	1	1		
38	90185-10051	NUT, SELF-LOCKING TUERCA AUTOBLOCANTE	1	1		
39	90387-12M30	COLLAR COLLAR	1	1		
40	90201-12M34	WASHER, PLATE ARANDELA PLANA	1	1		
41	6H3-42191-01	ROD 1 VARILLA 1	1	1		
42	90386-06088	BUSH BUJE	1	1		
43	6H3-42192-00	ROD 2 VARILLA 2	1	1		
44	700-48339-00	NUT, CABLE END TUERCA TERMINAL	1	1		
45	92990-06600	WASHER, PLATE ARANDELA PLANA	2	2		
46	91490-25012	PIN, COTTER CHAVETA	2	2		
47	663-42518-00	SHAFT, FRICTION EJE FRICCION	1	1		
48	67G-42528-00	PLATE, FRICTION PIEZA DE FRICCION	1	1		
49	97080-06035	BOLT PERNO	1	1		
50	90175-06003	NUT, WING TUERCA MARIPOSA	1	1		
51	69D-42515-00	ROD, STEERING LINK VARILLA ESLABON DIRECCION	1	1		
52	92990-08600	WASHER, PLATE ARANDELA PLANA	3	3		



69D0100-1140

FIG. 15 STEERING

DIRECCION

REF. NO.	PART NO. CODIGO NO.	DESCRIPTION DESCRIPTION	MHD	WHD	WD	REMARKS OBSERVACION
53	90185-08057	NUT, SELF-LOCKING TUERCA AUTOBLOCANTE	2	2		
54	97095-08030	BOLT PERNO	1	1		
55	92995-08600	WASHER ARANDELA	1	1		
56	663-42126-01	FRICTION, STEERING HANDLE GRIP FRICCION DE MANGO DIRECCION	1	1		
57	90101-06M27	BOLT TORNILLO	2	2		
58	92990-06600	WASHER, PLATE ARANDELA PLANA	1	1		
59	90175-06003	NUT, WING TUERCA MARIPOSA	1	1		
60	6K5-82575-03	ENGINE STOP SWITCH ASSY INTERRUPTOR DE PARADA COMPL	1			
61	682-82556-00	.STOPPER .RETENER	1			
62	689-8257Y-00	.CAP .CASQUILLO	1			
63	90464-08M07	CLAMP BRIDA	2			



6K50100-4160

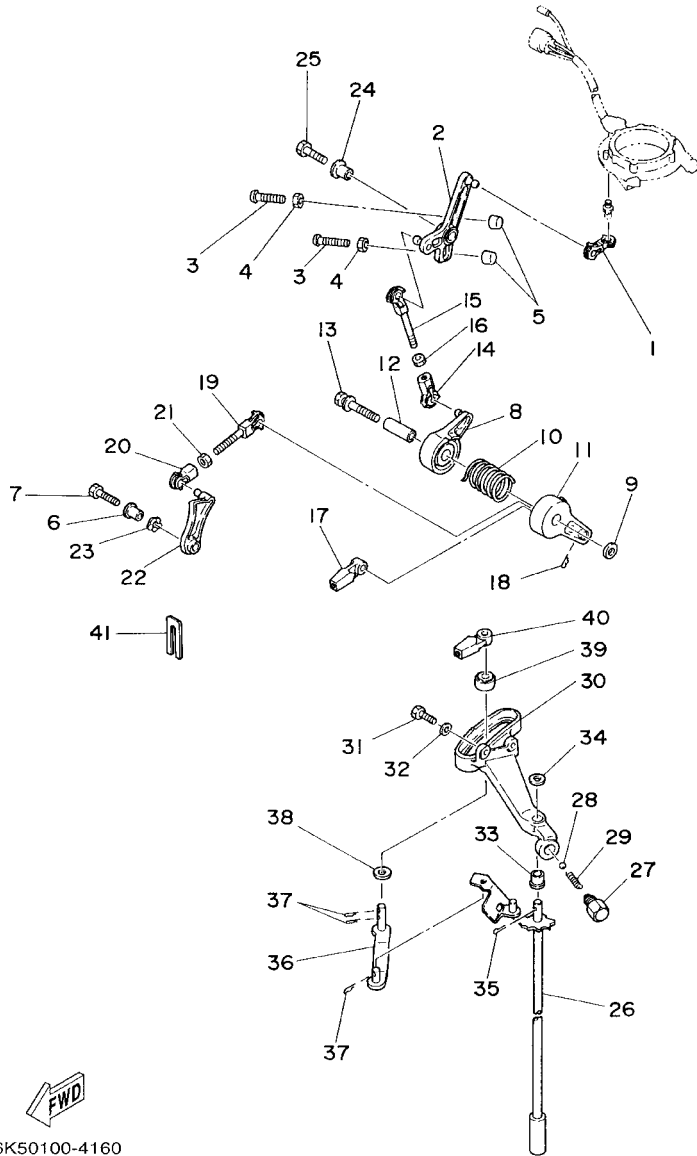


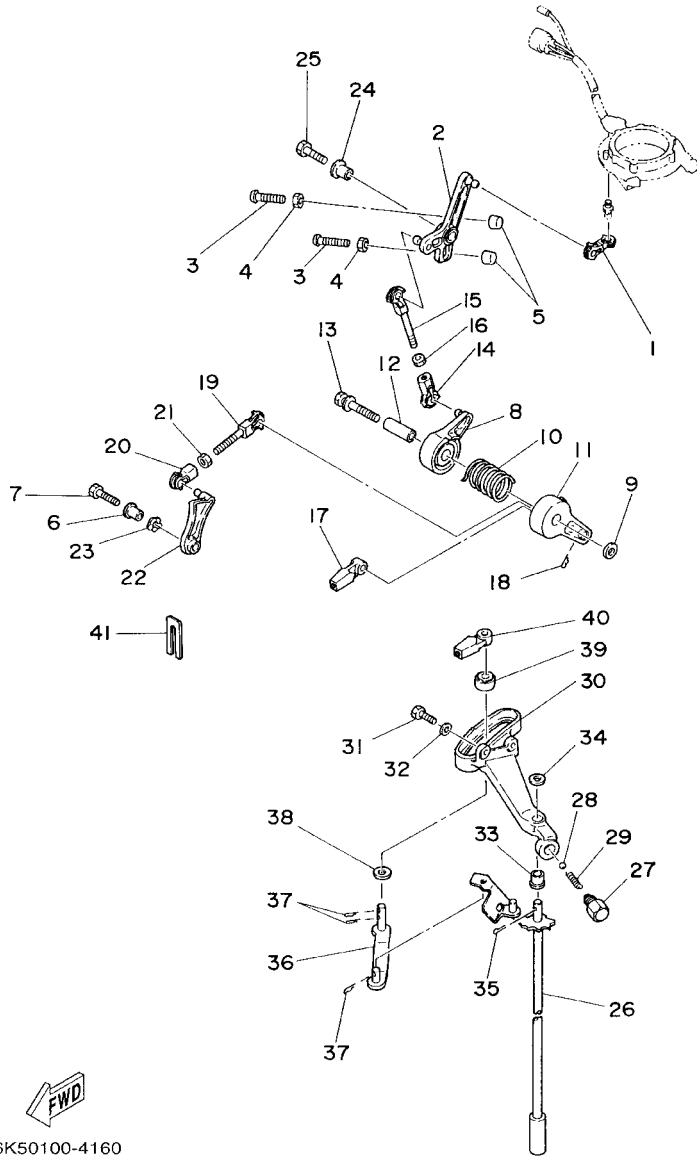
FIG. 16 CONTROL

CONTROL

REF. NO.	PART NO. CODIGO NO.	DESCRIPTION DESCRIPTION	MHD	WHD	WD	REMARKS OBSERVACION
1	6H3-41238-00	JOINT, LINK CONECTOR	1	1	1	
2	6H3-41631-00	LEVER, MAGNETO CONTROL PALANCA DE CONTROL DE MAGNETO	1	1	1	
3	90157-06M13	SCREW, PAN HEAD TORNILLO CABEZA CONICA PLANA	2	2	2	
4	95380-06600	NUT, HEXAGON TUERCA	2	2	2	
5	688-44194-00	CAP TAPA	2	2	2	
6	90387-06M60	COLLAR COLLAR	1	1	1	
7	97095-06025	BOLT PERNO	1	1	1	
8	6H3-41632-00	LEVER, MAGNETO CONTROL PALANCA DE CONTROL DE MAGNETO	1	1	1	
9	90201-06M31	WASHER, PLATE ARANDELA PLANA	1	1	1	
10	90508-29M19	SPRING, TORSION RESORTE DE TORSION	1	1	1	
11	6H3-41633-00	LEVER, MAGNETO CONTROL PALANCA DE CONTROL DE MAGNETO	1	1	1	
12	90387-06M59	COLLAR COLLAR	1	1	1	
13	90119-06M91	BOLT, WITH WASHER TORNILLO CON ARANDELA	1	1	1	
14	662-41237-01	JOINT, LINK CONECTOR	1	1	1	
15	679-41636-00	ROD, MAGNETO CONTROL VARILLA DE CONTROL MAGNETO	1	1	1	
16	95380-05600	NUT TUERCA	1	1	1	
17	663-48344-00	CABLE END, REMOTE CONTROL BASE CONTROL	1	1	1	
18	90468-18008	CLIP PRESILLA	1	1	1	
19	682-41237-50	JOINT, LINK CONECTOR	1	1	1	
20	662-41237-01	JOINT, LINK CONECTOR	1	1	1	
21	95380-05600	NUT TUERCA	1	1	1	
22	6H3-41213-01	CAM, ACCEL. LEVA ACELERADOR	1	1	1	
23	90206-10M04	WASHER, WAVE ARANDELA ONDULADA	1	1	1	
24	90387-06M60	COLLAR COLLAR	1	1	1	
25	97095-06025	BOLT PERNO	1	1	1	
26	6K5-44120-01 6K5-44120-11	HANDLE GEAR SHIFT ASSY MANIJA DE CAMBIO COMPL HANDLE GEAR SHIFT ASSY MANIJA DE CAMBIO COMPL	1 1	1 1	1 1	S L

FIG. 16 CONTROL

CONTROL



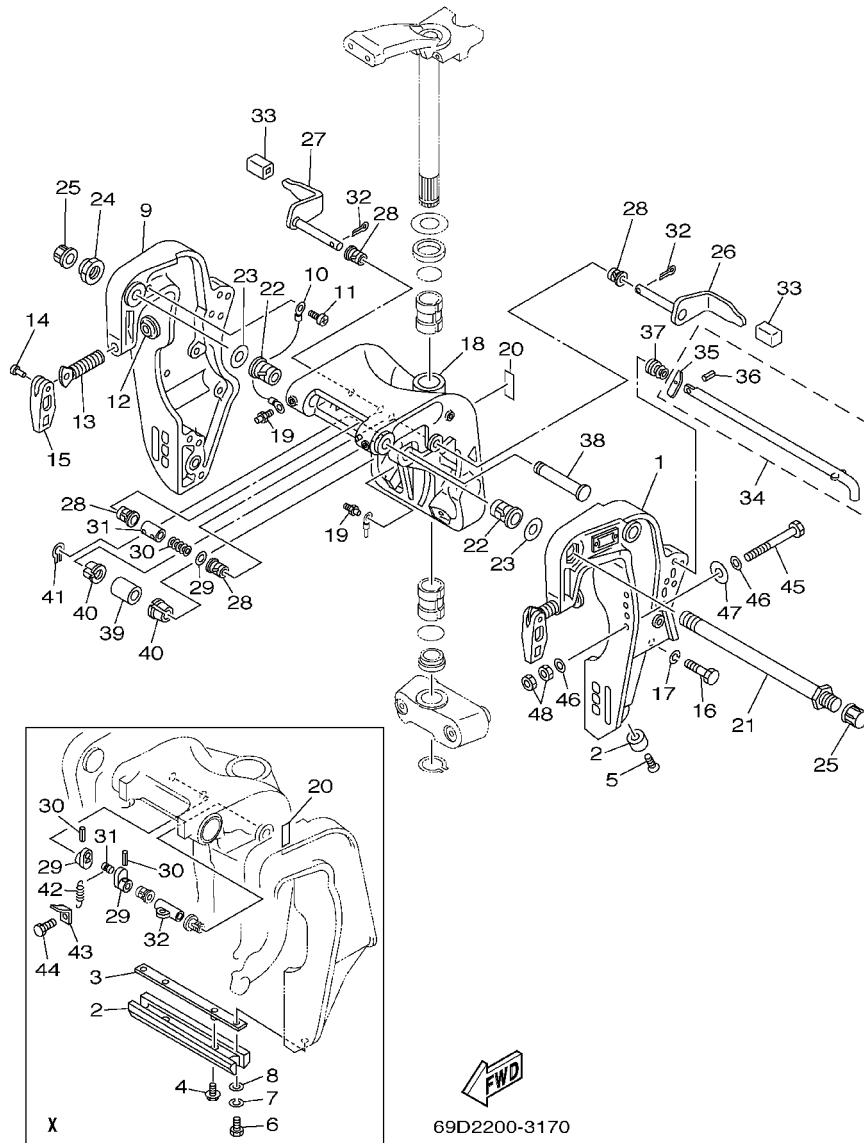
REF. NO.	PART NO. CODIGO NO.	DESCRIPTION DESCRIPTION	MHD	WHD	WD	REMARKS OBSERVACION
26	69D-44120-20	HANDLE GEAR SHIFT ASSY MANIJA DE CAMBIO COMPL	1			X
27	648-42715-00	BUSHING BUJE	1	1	1	
28	93501-04M02	BALL ESFERA	1	1	1	
29	90501-12082	SPRING, COMPRESSION RESORTE DE COMPRESION	1	1	1	
30	6H3-44117-00-94	BRACKET SOPORTE	1	1	1	
	6J2-44117-01-94	BRACKET SOPORTE	1	1		FOR OMAN
31	97013-06020	BOLT PERNO	2	2	2	
32	92903-06600	WASHER, PLATE RONDANA SENCILLA	2	2	2	
33	90386-07M58	BUSH BUJE	1	1	1	
34	92990-08200	WASHER, PLAIN ARANDELA PLANA	1	1	1	
35	91490-20012	PIN, COTTER CHAVETA	1	1	1	
36	6H3-44121-01	LEVER, SHIFT ROD PALANCA VARILLA CAMBIOS	1	1	1	
37	90468-18008	CLIP PRESILLA	3	3	3	
38	90202-07M07	WASHER, PLATE ARANDELA DE PLANA	1	1	1	
39	688-44122-00	BUSHING, SHIFT ROD LEVER BUJE PALANCA VARILLA DE CAMBIO	1	1	1	
40	663-48344-00	CABLE END, REMOTE CONTROL BASE CONTROL	1	1	1	
41	6H3-48538-00	CLAMP, CABLE 1 GRAMPA DE CABLE	1	1	1	



6K50100-4160

FIG. 17 BRACKET 1

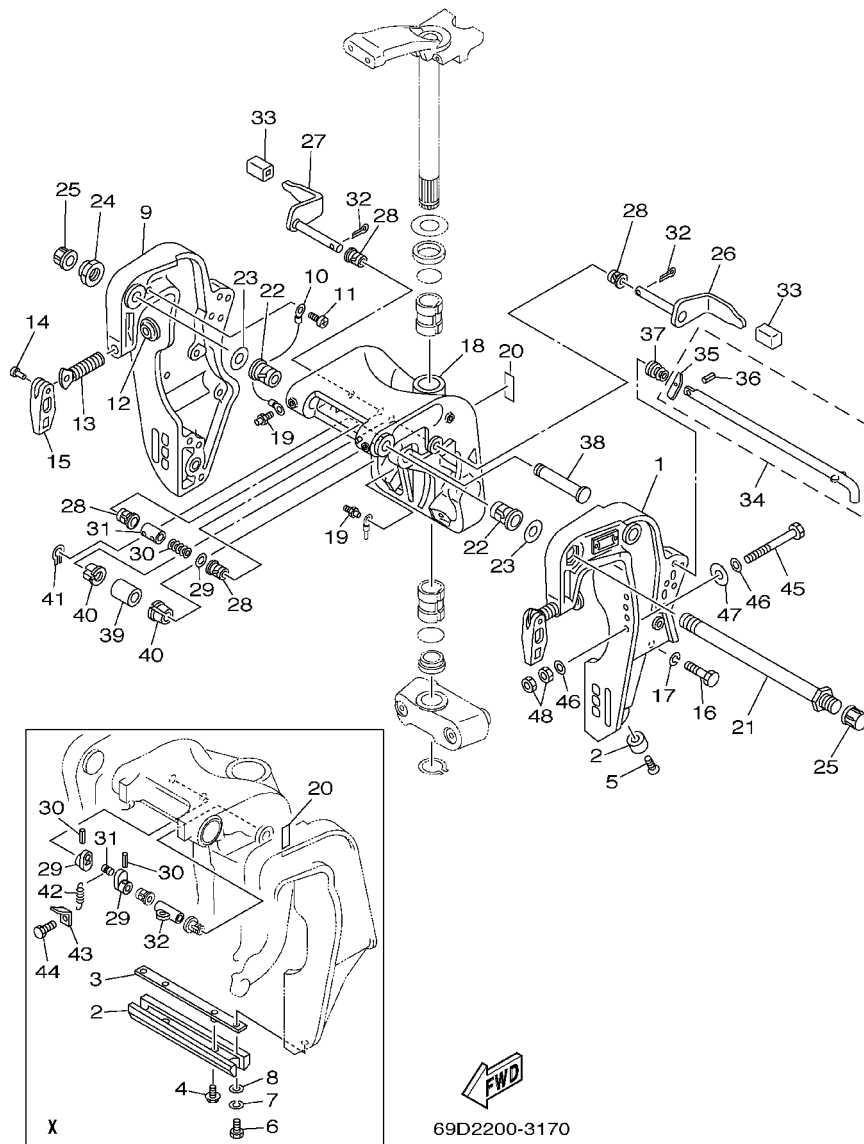
SOPORTE 1



REF. NO.	PART NO. CODIGO NO.	DESCRIPTION DESCRIPTION	MHD	WHD	WD	REMARKS OBSERVACION
1	697-43111-05-4D	BRACKET, CLAMP SOPORTE DE LA ABRAZADERA	1			S
	688-43111-13-4D	BRACKET, CLAMP SOPORTE DE LA ABRAZADERA	1			X
2	663-45251-00	ANODE CATODE	2			S
	6H1-45251-03	ANODE CATODE	1			X
3	6H1-44526-00	PLATE PLACA 1.	1			X
4	90119-06M29	BOLT, WITH WASHER TORNILLO CON ARANDELA	2			X
5	90152-06M01	SCREW, COUNTERSUNK TORNILLO EMBUTIDO	2			S
6	97095-06016	BOLT PERNO	2			X
7	92995-06100	WASHER, SPRING ARANDELA	2			X
8	92995-06600	WASHER ARANDELA	2			X
9	697-43112-03-4D	BRACKET, CLAMP SOPORTE DE LA ABRAZADERA	1			S
	688-43112-12-4D	BRACKET, CLAMP SOPORTE DE LA ABRAZADERA	1			X
10	6E5-82148-00	WIRE, LEAD 4 CABLE CONDUCTOR 4	1			
11	97880-06012	SCREW, PAN HEAD TORNILLO DE CABEZA CON PLANA	1			
12	648-43114-01	PAD, TRANSOM CLAMP ARANDELA DE ABRAZADERA	2			
13	663-43116-01	SCREW, TRANSOM CLAMP TORNILLO DE ABRAZADERA	2			
14	90243-04007	PIN PASADOR	2			
15	663-43118-01-4D	HANDLE, TRANSOM CLAMP MANIJA DE LA ABRAZADERA DEL ES	2			
16	97095-10045	BOLT PERNO	6			
17	92995-10100	WASHER ARANDELA	6			
18	697-43311-03-4D	BRACKET, SWIVEL 1 SOPORTE GIRATORIO 1	1			S
	6H1-43311-01-4D	BRACKET, SWIVEL 1 SOPORTE GIRATORIO 1	1			X
19	93700-06M03	NIPPLE, GREASE BOQUILLA DE ENGRASAR	3			
20	63D-43691-00	INDICATOR, TILT INDICADOR	1			
21	688-43131-03	BOLT, CLAMP BRACKET TORNILLO DE ABRAZADERA DEL SOP	1			
22	90386-22M15	BUSH BUJE	2			
23	90201-22M67	WASHER, PLATE ARANDELA PLANA	2			

FIG. 17 BRACKET 1

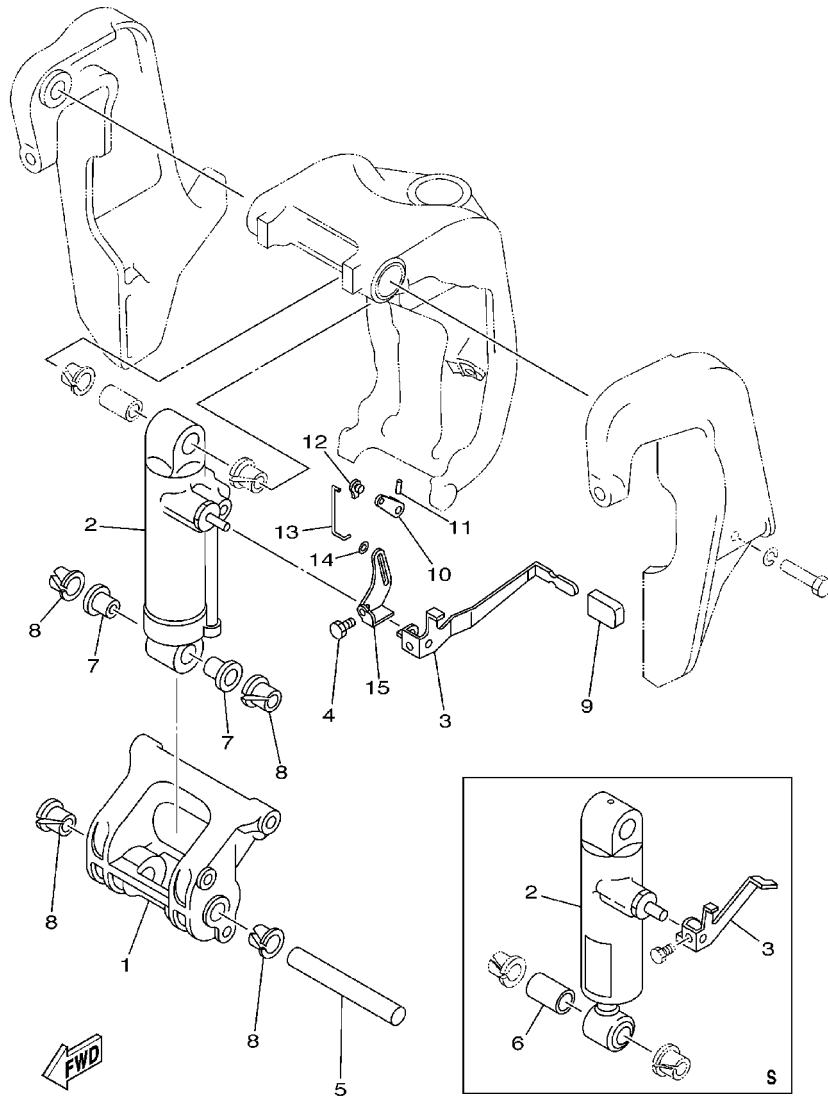
SOPORTE 1



REF. NO.	PART NO. CODIGO NO.	DESCRIPTION DESCRIPTION	MHD	WHD	WD	REMARKS OBSERVACION
24	90185-22043	NUT, SELF-LOCKING TUERCA AUTOBLOCANTE	1			
25	6G5-43145-01	CAP. CLAMP BRACKET TAPA	2			
26	688-43181-04	LEVER, TILT STOP PALANCA TOPE INCLINACION	1			S
	688-43181-10	LEVER, TILT STOP PALANCA TOPE INCLINACION	1			X
27	688-43185-04	LEVER, TILT STOP PALANCA TOPE INCLINACION	1			S
	688-43185-10	LEVER, TILT STOP PALANCA TOPE INCLINACION	1			X
28	90386-10M16	BUSH BUJE	4			
29	92990-10600	WASHER, PLATE ARANDELA PLANA	1			S
	6G5-43148-00	COLLAR, DISTANCE COLLAR	2			X
30	90501-10M21	SPRING, COMPRESSION RESORTE DE COMPRESION	1			S
	91690-30020	PIN, SPRING PASADOR DE RESORTE	2			X
31	90387-10M38	COLLAR COLLAR	1			S
	90249-06M19	PIN PASADOR	1			X
32	91490-30025	PIN, COTTER CHAVETA	2			S
	90387-10M02	COLLAR COLLAR	1			X
33	663-43318-00	COVER CUBIERTA	2			
34	697-43160-00	TILT ROD ASSY VARILLA DE BASCULACION COMPL.	1			S
	688-43160-01	TILT ROD ASSY VARILLA DE BASCULACION COMPL.	1			X
35	688-43165-00	.PLATE, TILT LOCK .PLACA DE TOPE, VARILLA SEGUR	1			
36	91690-30012	.PIN, SPRING .PASADOR DE RESORTE	1			
37	90502-20M03	SPRING, CONICAL RESORTE CONICO	1			S
	90502-16M02	SPRING, CONICAL RESORTE CONICO	1			X
38	6E5-43126-02	PIN, UPPER SHOCK MOUNT PASADOR DE AMORTIGUADOR SUPER	1			
39	90386-18M21	BUSH BUJE	1			
40	90386-18M35	BUSH BUJE	2			
41	93410-18M02	CIRCLIP SEGURO	1			
42	90506-14M24	SPRING, TENSION RESORTE DE TENSION	1			X

FIG. 18 BRACKET 2

SOPORTE 2

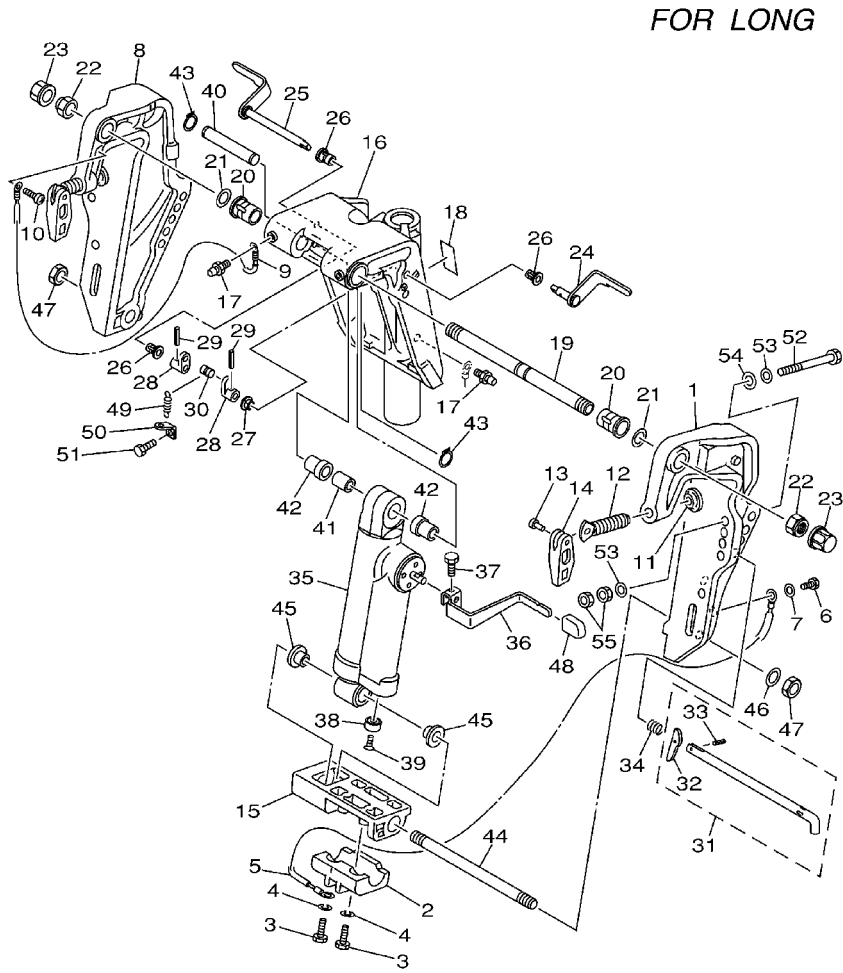


6961200-2160

REF. NO.	PART NO. CODIGO NO.	DESCRIPTION DESCRIPTION	MHD	WHD	WD	REMARKS OBSERVACION
1	697-43128-01-4D	SPACER, CLAMP BRACKET ESPACIADOR ABRAZADERA SOPORTE	1			S
	688-43128-01-4D	SPACER, CLAMP BRACKET ESPACIADOR ABRAZADERA SOPORTE	1			X
2	697-43170-03-4D	SHOCK ABSORBER ASSY AMORTIGUADOR COMPL.	1			S
	688-43170-04-4D	SHOCK ABSORBER ASSY AMORTIGUADOR COMPL.	1			X
3	688-43631-00	LEVER, TILT PALANCA DE INCLINACION	1			S
	688-43631-10	LEVER, TILT PALANCA DE INCLINACION	1			X
4	97080-06010	BOLT PERNO	1			
5	688-43124-02	PIN, LOWER SHOCK MOUNT PASADOR DE AMORTIGUADOR INFERI	1			
6	90386-18M21	BUSH BUJE	1			S
7	90386-18M63	BUSH BUJE	2			X
8	90386-18M35	BUSH BUJE	4			
9	682-43318-01	COVER CUBIERTA	1			X
10	688-43186-00	LEVER PALANCA	1			X
11	91690-30020	PIN, SPRING PASADOR DE RESORTE	1			X
12	6J8-41262-00	JOINT, CHOKE LEVER CONECTOR DE AHOGADOR	1			X
13	688-43616-00	ROD, TILT LOCK VARILLA SEGURO DE INCLINACION	1			X
14	90202-03M51	WASHER, PLATE ARANDELA DE PLANA	1			X
15	688-43651-00	LEVER, REVERSE LOCK 1 PALANCA SEGURO DE RESERVA	1			X

FIG. 19 BRACKET 3

SOPORTE 3



FOR LONG

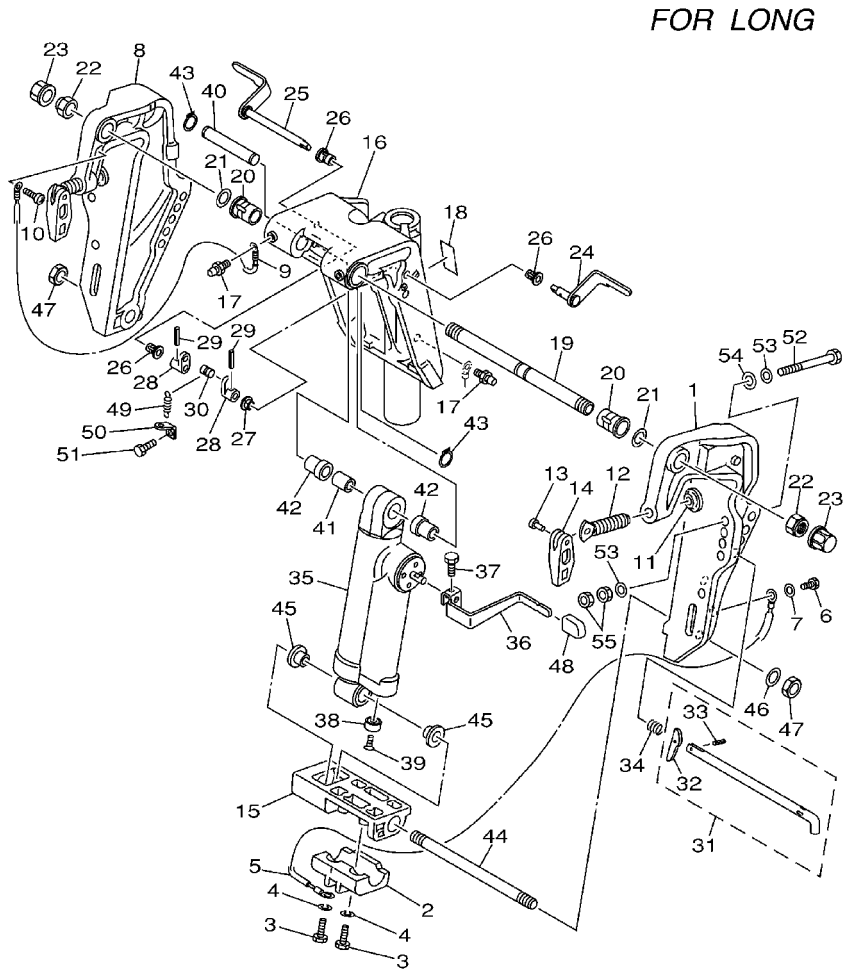
REF. NO.	PART NO. CODIGO NO.	DESCRIPTION DESCRIPTION	MHD	WHD	WD	REMARKS OBSERVACION
1	63D-43111-01-4D	BRACKET, CLAMP SOPORTE DE LA ABRAZADERA	1	1	1	
2	63D-45251-00	ANODE CATODE	1	1	1	
3	97095-06025	BOLT PERNO	2	2	2	
4	92995-06100	WASHER, SPRING ARANDELA	2	2	2	
5	6H1-82148-00	WIRE, LEAD 4 CABLE CONDUCTOR 4	1	1	1	
6	97095-06010	BOLT PERNO	1	1	1	
7	92995-06600	WASHER ARANDELA	1	1	1	
8	63D-43112-01-4D	BRACKET, CLAMP SOPORTE DE LA ABRAZADERA	1	1	1	
9	63D-82148-00	WIRE, LEAD 4 CABLE CONDUCTOR 4	1	1	1	
10	97885-06008	SCREW, PAN HEAD TORNILLO A MUESCA	1	1	1	
11	648-43114-01	PAD, TRANSOM CLAMP ARANDELA DE ABRAZADERA	2	2	2	
12	663-43116-01	SCREW, TRANSOM CLAMP TORNILLO DE ABRAZADERA	2	2	2	
13	90243-04007	PIN PASADOR	2	2	2	
14	663-43118-01-4D	HANDLE, TRANSOM CLAMP MANIJA DE LA ABRAZADERA DEL ES	2	2	2	
15	63D-43128-01-4D	SPACER, CLAMP BRACKET ESPACIADOR ABRAZADERA SOPORTE	1	1	1	
16	69D-43311-11-4D	BRACKET, SWIVEL 1 SOPORTE GIRATORIO 1	1	1	1	
17	93700-06M03	NIPPLE, GREASE BOQUILLA DE ENGRASAR	3	3	3	
18	63D-43691-00	INDICATOR, TILT INDICADOR	1	1	1	
19	63D-43131-01	BOLT, CLAMP BRACKET TORNILLO DE ABRAZADERA DEL SOP	1	1	1	
20	90386-22M15	BUSH BUJE	2	2	2	
21	90201-22M03	WASHER, PLATE ARANDELA PLANA	2	2	2	
22	90185-22M11	NUT, SELF-LOCKING TUERCA AUTOBLOCANTE	2	2	2	
23	6G5-43145-01	CAP, CLAMP BRACKET TAPA	2	2	2	
24	6H5-43181-03	LEVER, TILT STOP PALANCA TOPE INCLINACION	1	1	1	
25	6H5-43185-03	LEVER, TILT STOP PALANCA TOPE INCLINACION	1	1	1	
26	90386-10M16	BUSH BUJE	3	3	3	
27	90386-10025	BUSH BUJE	1	1	1	



69D0200-1180

FIG. 19 BRACKET 3

SOPORTE 3



FOR LONG

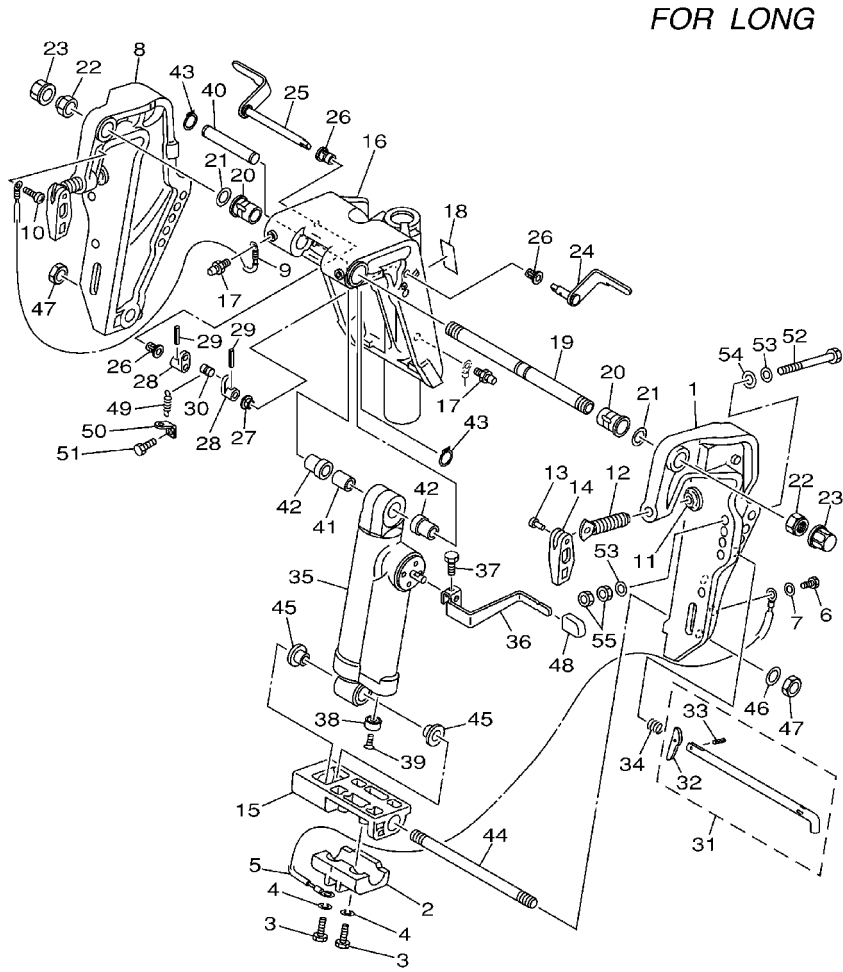


69D0200-1180

REF. NO.	PART NO. CODIGO NO.	DESCRIPTION DESCRIPTION	MHD	WHD	WD	REMARKS OBSERVACION
28	6G5-43148-00	COLLAR, DISTANCE COLLAR	2	2	2	
29	91690-30020	PIN, SPRING PASADOR DE RESORTE	2	2	2	
30	90249-06M19	PIN PASADOR	1	1	1	
31	688-43160-01	TILT ROD ASSY VARILLA DE BASCULACION COMPL.	1	1	1	
32	688-43165-00	.PLATE, TILT LOCK .PLACA DE TOPE, VARILLA SEGUR.	1	1	1	
33	91690-30012	.PIN, SPRING .PASADOR DE RESORTE	1	1	1	
34	90502-16M02	SPRING, CONICAL RESORTE CONICO	1	1	1	
35	69D-43170-10-4D	SHOCK ABSORBER ASSY AMORTIGUADOR COMPL.	1	1	1	
36	69D-43631-00	LEVER, TILT PALANCA DE INCLINACION	1	1	1	
37	97095-06010	BOLT PERNO	1	1	1	
38	663-45251-00	ANODE CATODE	1	1	1	
39	98680-06525	SCREW, OVAL HEAD TORNILLO CABEZA OVALADA	1	1	1	
40	69D-43126-00	PIN, UPPER SHOCK MOUNT PASADOR DE AMORTIGUADOR SUPERI	1	1	1	
41	90387-16003	COLLAR COLLAR	1	1	1	
42	90387-16004	COLLAR COLLAR	2	2	2	
43	93410-16006	CIRCLIP SEGURO	2	2	2	
44	90116-18M52	BOLT, STUD ESPARRAGO	1	1	1	
45	90386-18M44	BUSH BUJE	2	2	2	
46	92995-18600	WASHER ARANDELA	1	1	1	
47	90170-18M10	NUT TUERCA	2	2	2	
48	682-43318-01	COVER CUBIERTA	1	1	1	
49	90506-14M24	SPRING, TENSION RESORTE DE TENSION	1	1	1	
50	6G5-43144-00	HOOK, SPRING GANCHO	1	1	1	
51	97095-06010	BOLT PERNO	1	1	1	
52	90101-12M65	BOLT TORNILLO	4	4	4	
53	92995-12200	WASHER ARANDELA	8	8	8	
54	90201-12426	WASHER, PLATE ARANDELA PLANA	4	4	4	

FIG. 19 BRACKET 3

SOPORTE 3

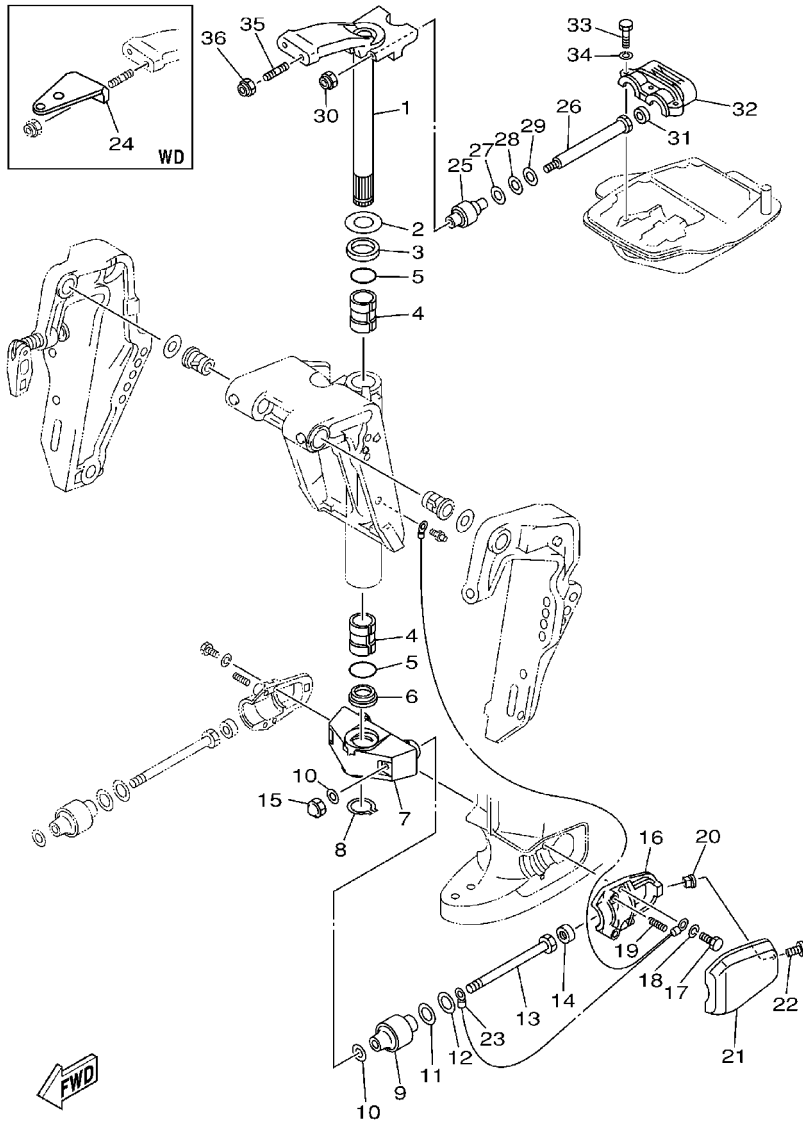


69D0200-1180

REF. NO.	PART NO. CODIGO NO.	DESCRIPTION DESCRIPTION	MHD	WHD	WD	REMARKS OBSERVACION
55	95380-12600	NUT TUERCA	8	8	8	

FIG. 20 BRACKET 4

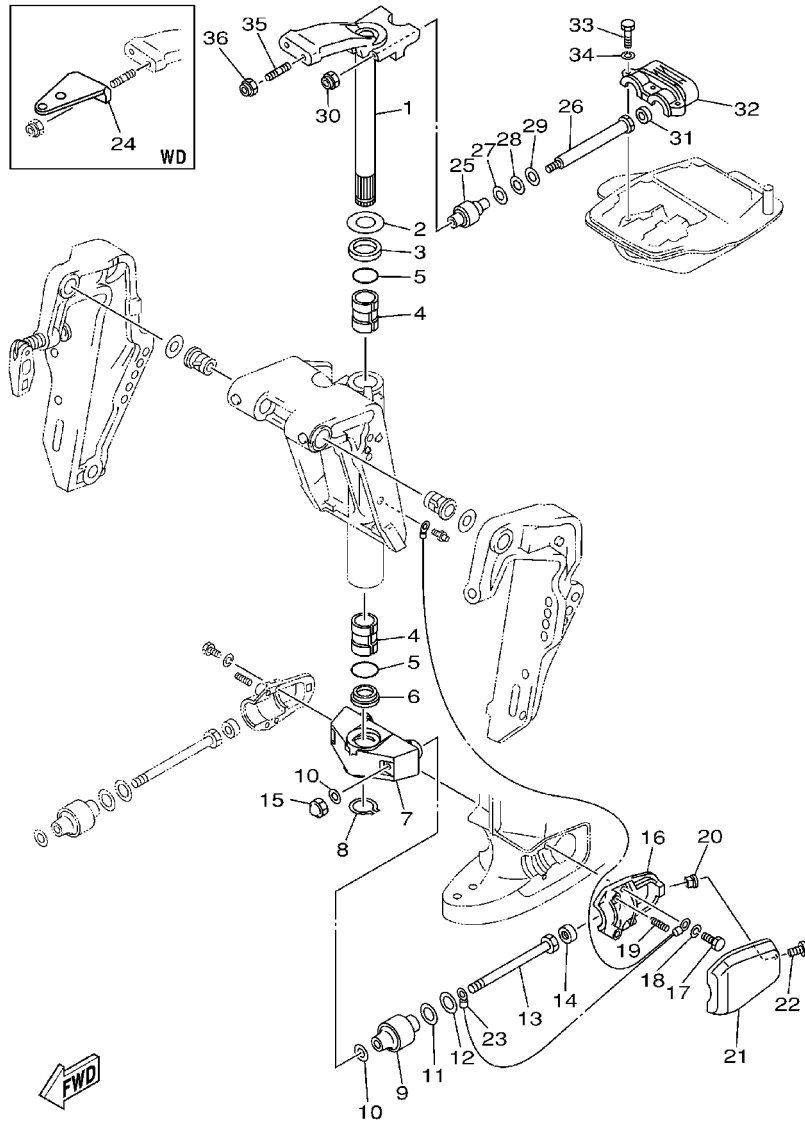
SOPORTE 4



REF. NO.	PART NO. CODIGO NO.	DESCRIPTION DESCRIPTION	MHD	WHD	WD	REMARKS OBSERVACION
1	6H3-42510-02-4D	STEERING BRACKET ASSY SOPORTE DIRECCION COMPL.	1			S
	69D-42510-10-4D	STEERING BRACKET ASSY SOPORTE DIRECCION COMPL.	1	1	1	L/X
2	90201-30M00	WASHER, PLATE ARANDELA PLANA	1	1	1	
3	90386-30M78	BUSH BUJE	1	1	1	
4	90386-30M77	BUSH BUJE	2	2	2	
5	93210-29M94	O-RING JUNTA TORICA	2	2	2	
6	90386-30M60	BUSH BUJE	1	1	1	
7	6H3-44551-01-4D	HOUSING, LOWER MOUNT RUBBER CAJA AMORTIGUADOR INFERIOR HU	1			S
	69D-44551-10-4D	HOUSING, LOWER MOUNT RUBBER CAJA AMORTIGUADOR INFERIOR HU	1	1	1	L/X
8	93410-28M06	CIRCLIP SEGURO	1	1	1	
9	687-44555-00-94	MOUNT DAMPER, LOWER SIDE AMORTIGUADOR DE HULE LADO INFE	2	2	2	S/L
	688-44555-00-94	MOUNT DAMPER, LOWER SIDE AMORTIGUADOR DE HULE LADO INFE	2			X
10	90201-12M16	WASHER, PLATE ARANDELA PLANA	4	4	4	
11	90202-25M04	WASHER, PLATE ARANDELA DE PLANA	2	2	2	
12	90201-13M19	WASHER, PLATE ARANDELA PLANA	2	2	2	
13	90109-12M21	BOLT PERNO	2	2	2	
14	663-44575-00	DAMPER, LOWER MOUNT RUBBER AMORTIGUADOR INFERIOR	2	2	2	
15	95380-12800	NUT, CROWN TUERCA	2	2	2	
16	6H3-44552-03-94	HOUSING, LOWER MOUNT RUBBER CAJA AMORTIGUADOR INFERIOR HU	2	2	2	
17	97075-08025	BOLT PERNO	4	4	4	
18	92995-08100	WASHER ARANDELA	4	4	4	
19	90501-14M08	SPRING, COMPRESSION RESORTE DE COMPRESION	4	4	4	
20	90179-06066	NUT TUERCA	2	2	2	
21	6H3-44553-01-4D	COVER, LOWER MOUNT CUBIERTA, AMORTIGUADOR INFERIOR	2	2	2	
22	97885-06016	SCREW, PAN HEAD TORNILLO A MUESCA	2	2	2	
23	697-82127-01	WIRE, LEAD 2 CABLE CONDUCTOR 2	1			S
	688-82127-02	WIRE, LEAD 2 CABLE CONDUCTOR 2	1	1	1	L/X

FIG. 20 BRACKET 4

SOPORTE 4

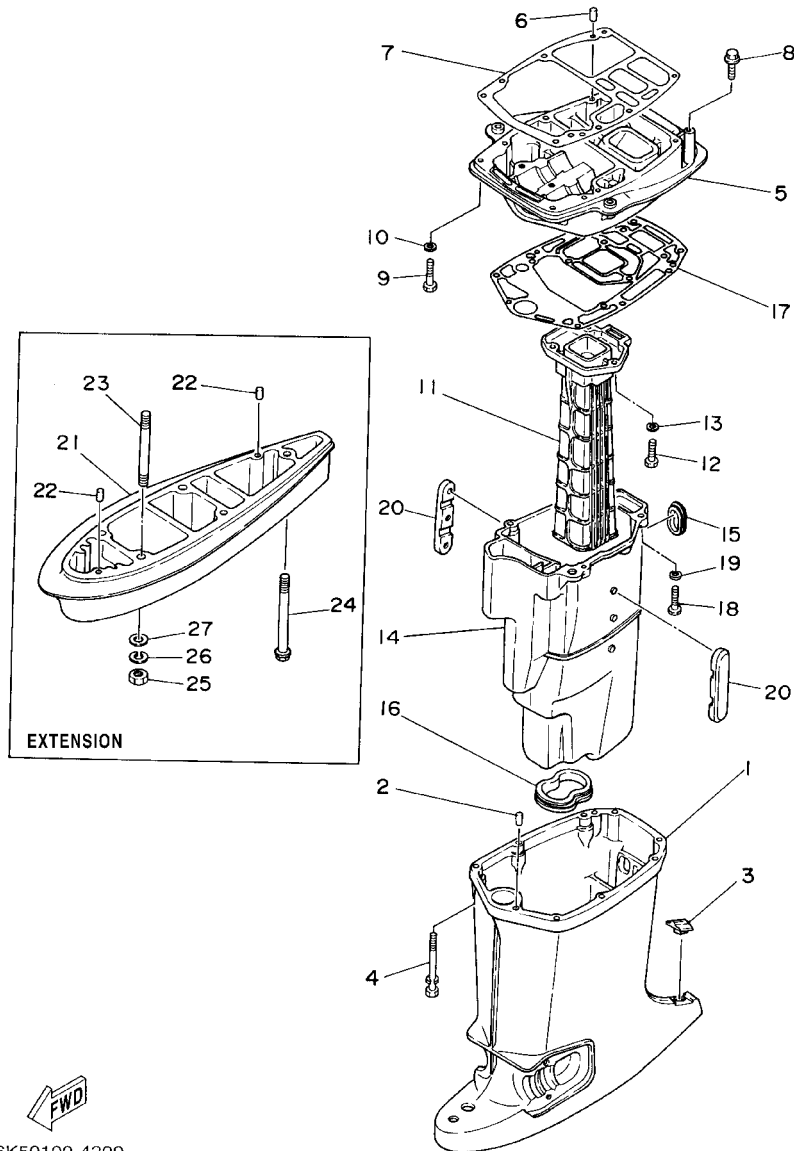


69D0200-1190

REF. NO.	PART NO. CODIGO NO.	DESCRIPTION DESCRIPTION	MHD	WHD	WD	REMARKS OBSERVACION
24	6H3-48511-51-4D	HOOK, STEERING GANCHO DIRECCION			1	STEERING GUIDE
25	688-44514-00-94	MOUNT DAMPER, UPPER SIDE AMORTIGUADOR LADO SUPERIOR	2	2	2	
26	90101-10M49	BOLT TORNILLO	2	2	2	
27	90201-20M21	WASHER, PLATE ARANDELA PLANA	2	2	2	
28	90202-20M06	WASHER, PLATE ARANDELA DE PLANA	2	2	2	
29	90201-11M22	WASHER, PLATE ARANDELA PLANA	2	2	2	
30	90185-10051	NUT, SELF-LOCKING TUERCA AUTOBLOCANTE	2	2	2	
31	663-44575-00	DAMPER, LOWER MOUNT RUBBER AMORTIGUADOR INFERIOR	2	2	2	
32	688-44511-00-94	COVER, UPPER MOUNT CUBIERTA AMORTIGUADOR SUPERIOR	1	1	1	
33	97075-08035	BOLT PERNO	3	3	3	
34	92995-08100	WASHER ARANDELA	3	3	3	
35	90116-10M28	BOLT, STUD ESPARRAGO	2	2	2	
36	90185-10051	NUT, SELF-LOCKING TUERCA AUTOBLOCANTE	2	2	2	

FIG. 21 UPPER CASING

FUNDA SUPERIOR

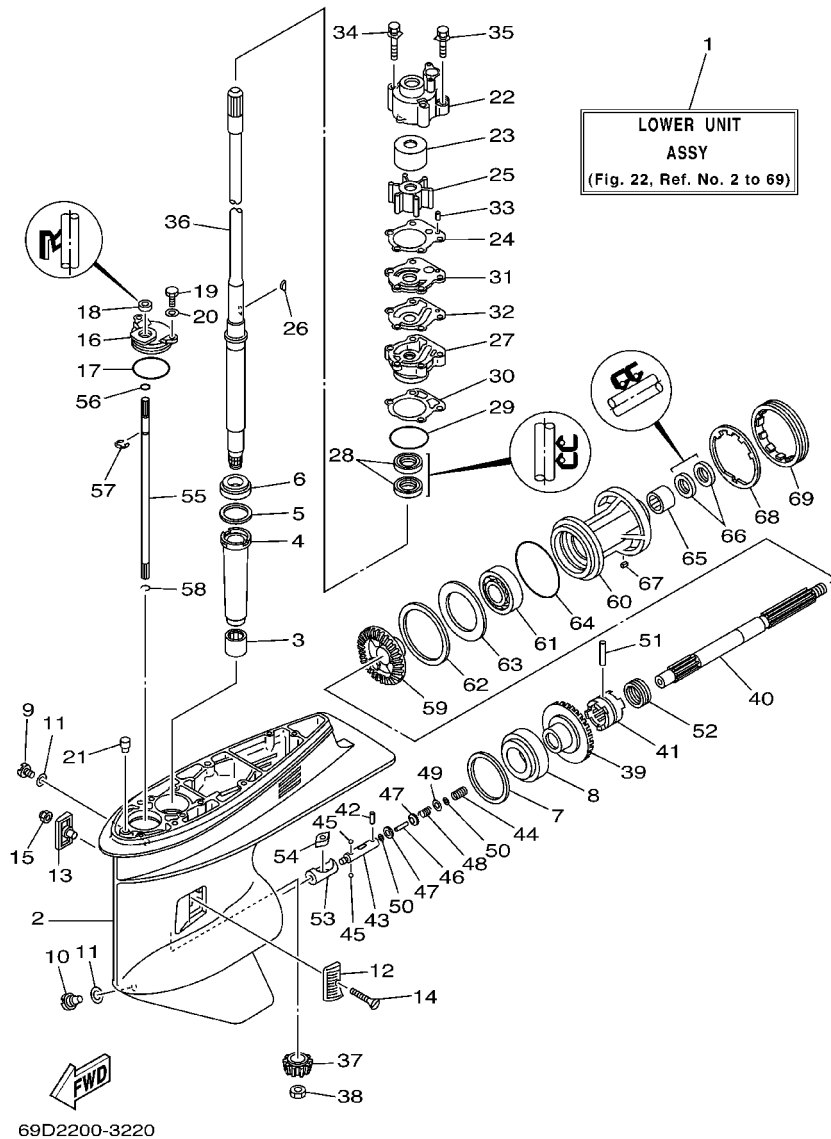


REF. NO.	PART NO. CODIGO NO.	DESCRIPTION DESCRIPTION	MHD	WHD	WD	REMARKS OBSERVACION
1	6H3-45111-01-4D	CASING, UPPER CAJA SUPERIOR	1			S
	6H3-45111-11-4D	CASING, UPPER CAJA SUPERIOR	1	1	1	L/X
2	93606-12019	PIN, DOWEL PASADOR DE CLAVIJA	2	2	2	
3	6H3-45155-00	CAP TAPA	1	1	1	
4	90119-08M81	BOLT, WITH WASHER TORNILLO CON ARANDELA	6	6	6	
5	6H3-41137-01-94	GUIDE, EXHAUST GUIA DE ESCAPE	1	1	1	
6	93606-12019	PIN, DOWEL PASADOR DE CLAVIJA	2	2	2	
7	6H3-45113-A0	GASKET, UPPER CASING EMPAQUE	1	1	1	
8	90119-08M79	BOLT, WITH WASHER TORNILLO CON ARANDELA	2	2	2	
9	97075-08035	BOLT PERNO	2	2	2	
10	92995-08100	WASHER ARANDELA	2	2	2	
11	6H2-41131-00-5B	MANIFOLD, EXT. 1 TUBO MULTIPLE DE ESCAPE	1	1	1	
12	97075-08030	BOLT PERNO	3	3	3	
13	92995-08100	WASHER ARANDELA	3	3	3	
14	6H3-14711-00-5B	MUFFLER 1 SILENCIADOR 1	1			S
	6H3-14711-10-5B	MUFFLER 1 SILENCIADOR 1	1	1	1	L/X
15	6H3-45127-00	SEAL SELLO DE GOMA	1	1	1	
16	6H3-45123-00	GASKET, MUFFLER EMPAQUE SILENCIADOR	1	1	1	
17	6H3-45114-A1	GASKET, UPPER CASING EMPAQUE	1	1	1	
18	97075-08030	BOLT PERNO	4	4	4	
19	92995-08100	WASHER ARANDELA	4	4	4	
20	6H3-14737-00	DAMPER, MUFFLER AMORTIGUADOR DE SILENCIADOR	2			S
	6H3-14737-10	DAMPER, MUFFLER AMORTIGUADOR DE SILENCIADOR	2	2	2	L/X
21	696-45211-01-4D	EXTENSION EXTENSION	1	1	1	S/L
	688-45211-01-4D	EXTENSION EXTENSION	1			X
22	93606-12019	PIN, DOWEL PASADOR DE CLAVIJA	2	2	2	
23	90116-10M31	BOLT, STUD ESPARRAGO	4	4	4	S/L


6K50100-4200

FIG. 22 LOWER CASING. DRIVE 1

IMPULSOR E INFERIOR 1



REF. NO.	PART NO. CODIGO NO.	DESCRIPTION DESCRIPTION	MHD	WHD	WD	REMARKS OBSERVACION
1	69D-45300-00-4D	LOWER UNIT ASSY CONJUNTO UNIDAD INFERIOR	1			S
	69D-45300-10-4D	LOWER UNIT ASSY CONJUNTO UNIDAD INFERIOR	1	1	1	L
	69D-45300-20-4D	LOWER UNIT ASSY CONJUNTO UNIDAD INFERIOR	1			X
2	6H1-45301-03-4D	CASING, LOWER FUNDA INFERIOR COMPLETA	1	1	1	
3	93315-325V1	BEARING COJINETE DE RODILLOS	1	1	1	
4	688-45536-01	SLEEVE, DRIVE SHAFT CAMISA EJE DE MANDO	1	1	1	
5	688-45587-01-10	SHIM (T:0.10MM) LAINA (T:0.10MM)	1	1	1	UR
	688-45587-01-12	SHIM (T:0.12MM) LAINA (T:0.12MM)	1	1	1	UR
	688-45587-01-15	SHIM (T:0.15MM) LAINA (T:0.15MM)	1	1	1	UR
	688-45587-01-18	SHIM (T:0.18MM) LAINA (T:0.18MM)	1	1	1	UR
	688-45587-01-30	SHIM (T:0.30MM) LAINA (T:0.30MM)	1	1	1	UR
	688-45587-01-40	SHIM (T:0.40MM) LAINA (T:0.40MM)	1	1	1	UR
	688-45587-01-50	SHIM (T:0.50MM) LAINA (T:0.50MM)	1	1	1	UR
6	93332-000U3	BEARING COJINETE DE RODILLOS AHUSADO	1	1	1	
7	688-45567-01-10	SHIM (T:0.10MM) LAINA (T:0.10MM)	1	1	1	UR
	688-45567-01-12	SHIM (T:0.12MM) LAINA (T:0.12MM)	1	1	1	UR
	688-45567-01-15	SHIM (T:0.15MM) LAINA (T:0.15MM)	1	1	1	UR
	688-45567-01-18	SHIM (T:0.18MM) LAINA (T:0.18MM)	1	1	1	UR
	688-45567-01-30	SHIM (T:0.30MM) LAINA (T:0.30MM)	1	1	1	UR
	688-45567-01-40	SHIM (T:0.40MM) LAINA (T:0.40MM)	1	1	1	UR
	688-45567-01-50	SHIM (T:0.50MM) LAINA (T:0.50MM)	1	1	1	UR
8	93332-000W7	BEARING COJINETE DE RODILLOS AHUSADO	1	1	1	
9	90340-08002	PLUG, STRAIGHT SCREW TORNILLO, DE DRENAJE	1	1	1	
10	688-45341-10	PLUG, DRAIN TAPON, DREN	1	1	1	
11	90430-08020	GASKET JUNTA	2	2	2	
12	6H1-45214-00	COVER, WATER INLET CUBIERTA ENTRADA AGUA	1	1	1	
13	6H1-45215-00	COVER, WATER INLET CUBIERTA ENTRADA AGUA	1	1	1	

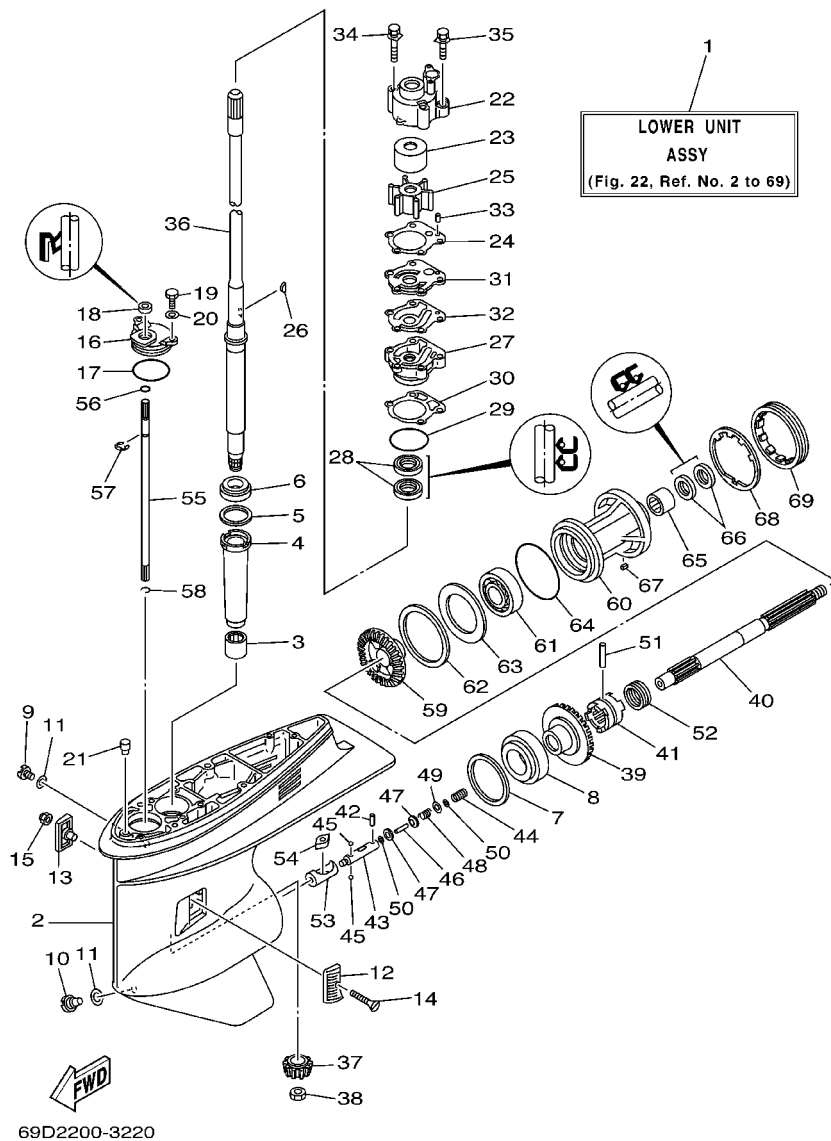


FIG. 22 LOWER CASING. DRIVE 1 IMPULSOR E INFERIOR 1

REF. NO.	PART NO. CODIGO NO.	DESCRIPTION DESCRIPTION	MHD	WHD	WD	REMARKS OBSERVACION
14	90151-05M00	SCREW, COUNTERSUNK TORNILLO EMBUTIDO	1	1	1	
15	90185-05002	NUT, SELF-LOCKING TUERCA AUTOBLOCANTE	1	1	1	
16	688-45321-00	PLATE PLACA	1	1	1	
17	93210-49046	O-RING JUNTA TORICA	1	1	1	
18	93106-09014	OIL SEAL RETEN DE ACEITE	1	1	1	
19	97095-06016	BOLT PERNO	2	2	2	
20	92995-06600	WASHER ARANDELA	2	2	2	
21	6J8-45378-00	NIPPLE, HOSE NIPLE MANGUERA	1	1	1	
22	688-44311-01	HOUSING, WATER PUMP CAJA BOMBA DE AGUA	1	1	1	
23	69D-44322-00	INSERT, CARTRIDGE CARTUCHO	1	1	1	
24	688-44315-A0	GASKET, WATER PUMP EMPAQUE	1	1	1	
25	688-44352-03	IMPELLER IMPULSOR	1	1	1	
26	90280-04M04	KEY, WOODRUFF CUNA WOODRUFF	1	1	1	
27	688-44341-01-94	HOUSING, WATER PUMP CAJA BOMBA DE AGUA	1	1	1	
28	93101-25M03	OIL SEAL RETEN DE ACEITE	2	2	2	
29	93210-46044	O-RING JUNTA TORICA	1	1	1	
30	688-44316-A0	GASKET, WATER PUMP EMPAQUE	1	1	1	
31	688-44323-40	OUTER PLATE, CARTRIDGE PLACA EXTERIOR DEL CARTUCHO	1	1	1	
32	688-44324-A0	GASKET, CARTRIDGE EMPAQUE	1	1	1	
33	93604-10M03	PIN, DOWEL PASADOR DE CLAVIJA	2	2	2	
34	90119-08M16	BOLT, WITH WASHER TORNILLO CON ARANDELA	2	2	2	
35	90119-08M13	BOLT, WITH WASHER TORNILLO CON ARANDELA	2	2	2	
36	69D-45501-00	DRIVE SHAFT COMP. EJE DE MANDO COMPL.	1			S
	69D-45501-10	DRIVE SHAFT COMP. EJE DE MANDO COMPL.	1	1	1	L
	69D-45501-20	DRIVE SHAFT COMP. EJE DE MANDO COMPL.	1			X
37	6K5-45551-00	PINION (12T) PINON (12T)	1	1	1	
38	90170-16M01	NUT TUERCA	1	1	1	

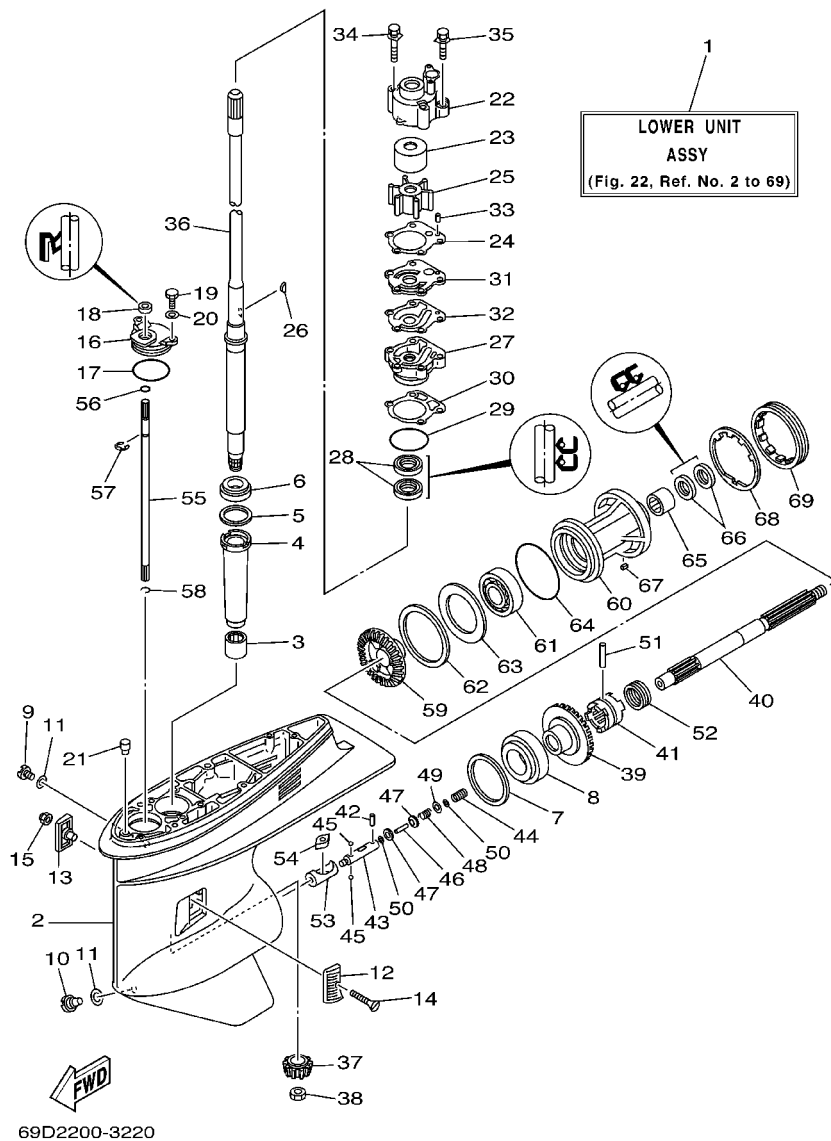
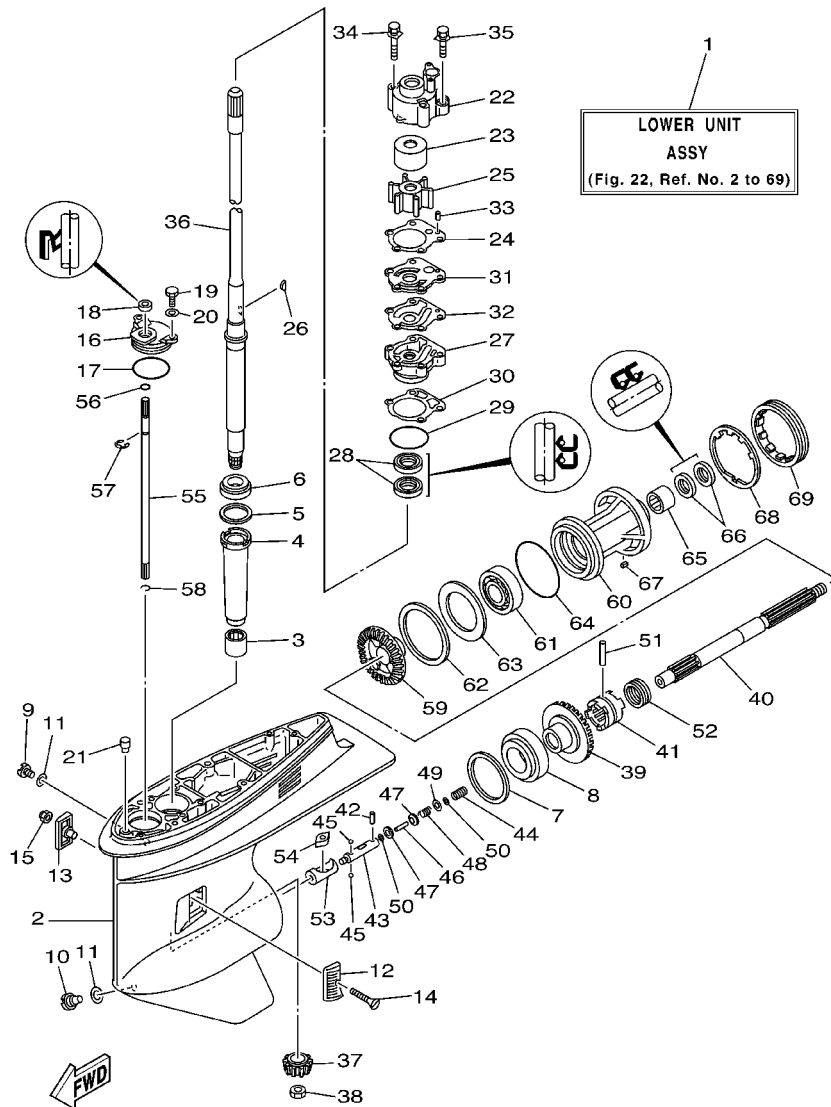


FIG. 22 LOWER CASING. DRIVE 1 IMPULSOR E INFERIOR 1

REF. NO.	PART NO. CODIGO NO.	DESCRIPTION DESCRIPTION	MHD	WHD	WD	REMARKS OBSERVACION
39	6K5-45560-00	GEAR ENGRANE COMPLE 1	1	1	1	
40	6H1-45611-01	SHAFT, PROPELLER EJE PROPUSOR	1	1	1	
41	6H1-45631-01	CLUTCH, DOG EMBRAGUE DE GARRA	1	1	1	
42	93603-12M11	PIN, DOWEL PASADOR DE CLAVIJA	1	1	1	
43	6H1-45634-02	SLIDE, SHIFT DESLIZADOR, CAMBIO	1	1	1	
44	90501-16M65	SPRING, COMPRESSION RESORTE DE COMPRESION	1	1	1	
45	93503-16003	BALL ESFERA	2	2	2	
46	6H1-45668-00	SHAFT, FREE EJE	1	1	1	
47	6H1-45635-00	PLUNGER, SHIFT EMBOLO DE CAMBIO	2	2	2	
48	90501-12M48	SPRING, COMPRESSION RESORTE DE COMPRESION	1	1	1	
49	90201-03313	WASHER, PLATE ARANDELA PLANA	1	1	1	
50	90183-02M03	NUT, SPRING TUERCA DE RESORTE	2	2	2	
51	90250-07M02	PIN, STRAIGHT PASADOR CILINDRICO	1	1	1	
52	688-45633-00	RING, CROSS PIN ANILLO DE PASADOR	1	1	1	
53	6H1-45641-01	SHIFTER CAMBIO	1	1	1	
54	6H1-44151-00	CAM, SHIFT LEVA DE CAMBIO	1	1	1	
55	6H1-44144-00	ROD, SHIFT VARILLA DE CAMBIO	1	1	1	
56	93210-07003	O-RING JUNTA TORICA	1	1	1	
57	99001-08600	CIRCLIP PRESILLA REDONDA	1	1	1	
58	93450-07M00	CIRCLIP SEGURO	1	1	1	
59	6H3-45571-00	GEAR ENGRANAJE	1	1	1	
60	688-45331-00-94	HOUSING, BEARING CAJA DE COJINETE	1	1	1	
61	93306-207U0	BEARING COJINETE	1	1	1	
62	688-45577-01-10	SHIM (T:0.10MM) LAINA (T:0.10MM)	1	1	1	UR
	688-45577-01-12	SHIM (T:0.12MM) LAINA (T:0.12MM)	1	1	1	UR
	688-45577-01-15	SHIM (T:0.15MM) LAINA (T:0.15MM)	1	1	1	UR
	688-45577-01-18	SHIM (T:0.18MM) LAINA (T:0.18MM)	1	1	1	UR

FIG. 22 LOWER CASING. DRIVE 1

IMPULSOR E INFERIOR 1

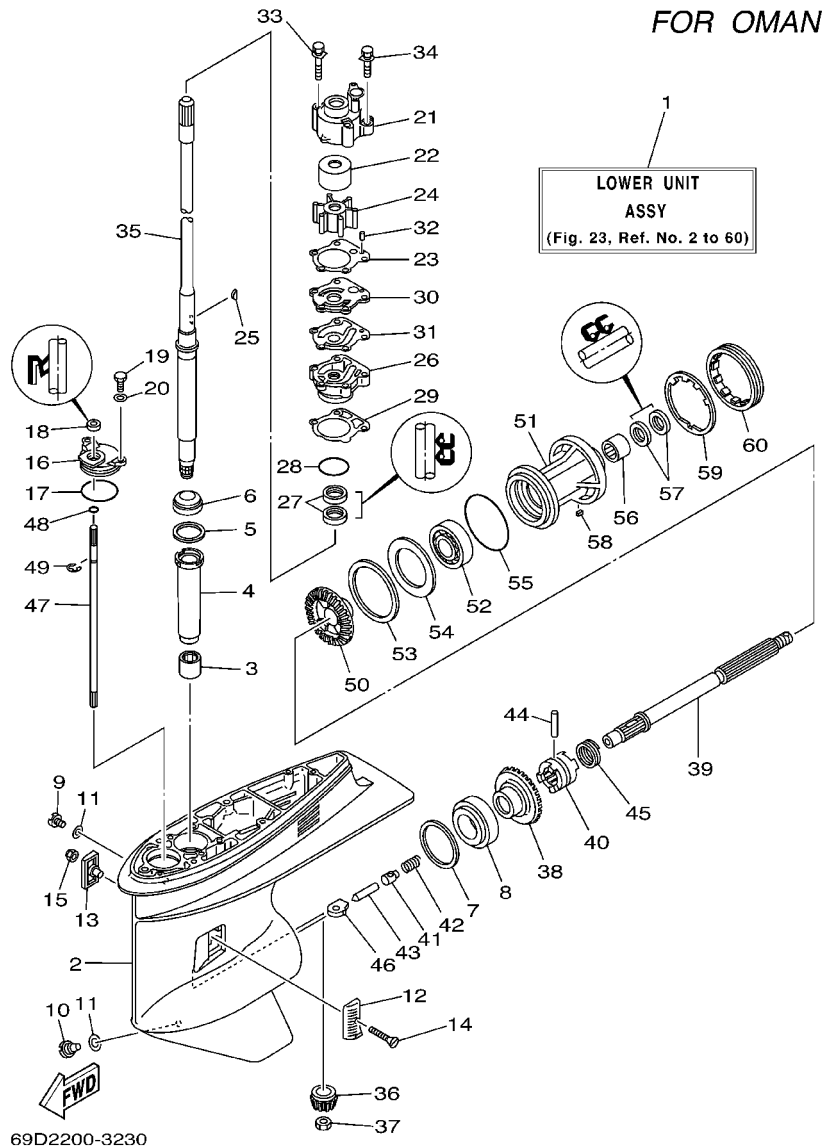


69D2200-3220

REF. NO.	PART NO. CODIGO NO.	DESCRIPTION DESCRIPTION	MHD	WHD	WD	REMARKS OBSERVACION
62	688-45577-01-30	SHIM (T:0.30MM) LAINA (T:0.30MM)	1	1	1	UR
	688-45577-01-40	SHIM (T:0.40MM) LAINA (T:0.40MM)	1	1	1	UR
	688-45577-01-50	SHIM (T:0.50MM) LAINA (T:0.50MM)	1	1	1	UR
63	688-45576-00	WASHER, THRUST ARANDELA DE EMPUJE AXIAL	1	1	1	
64	93210-85M97	O-RING JUNTA TORICA	1	1	1	
65	93317-325U0	BEARING COJINETE DE RODILLOS	1	1	1	
66	93101-25M03	OIL SEAL RETEN DE ACEITE	2	2	2	
67	90282-04010	KEY, STRAIGHT CHAVETA, RECTA	1	1	1	
68	688-45383-02	WASHER, CLAW ARANDELA DE UNA	1	1	1	
69	688-45384-00	NUT TUERCA	1	1	1	

FIG. 23 LOWER CASING. DRIVE 2

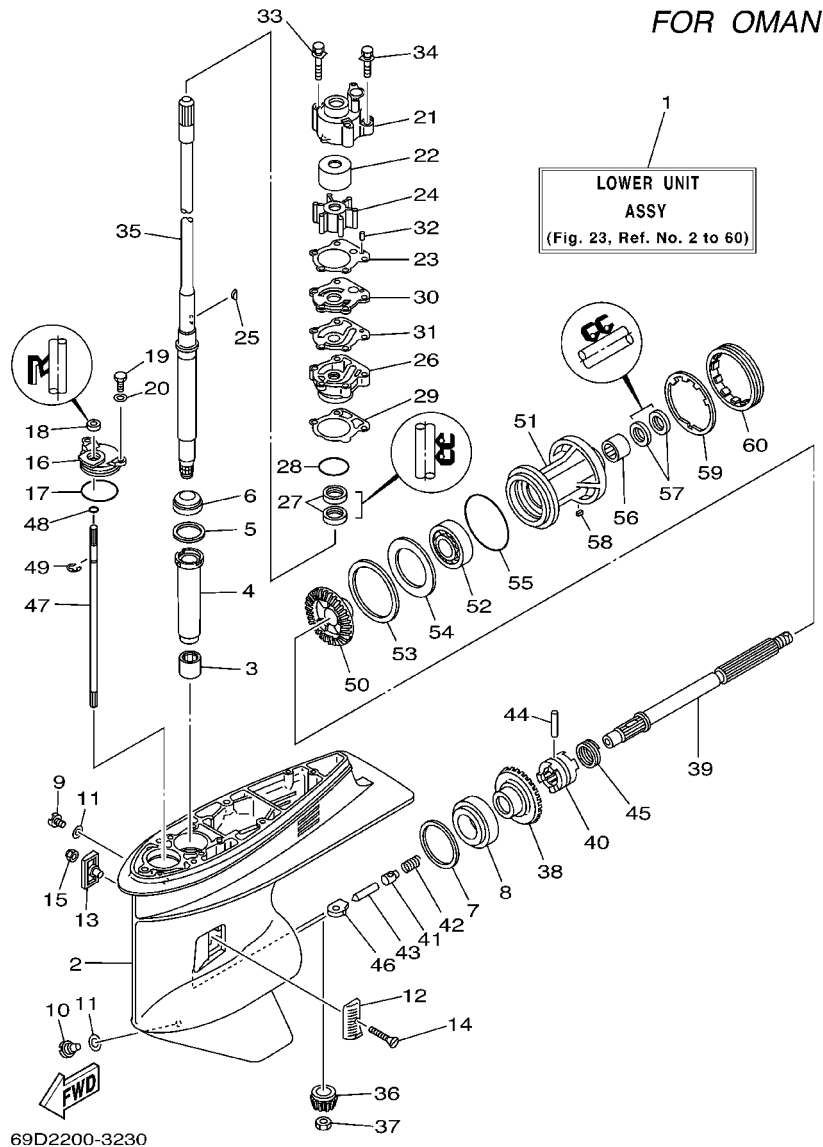
IMPULSOR E INFERIOR 2



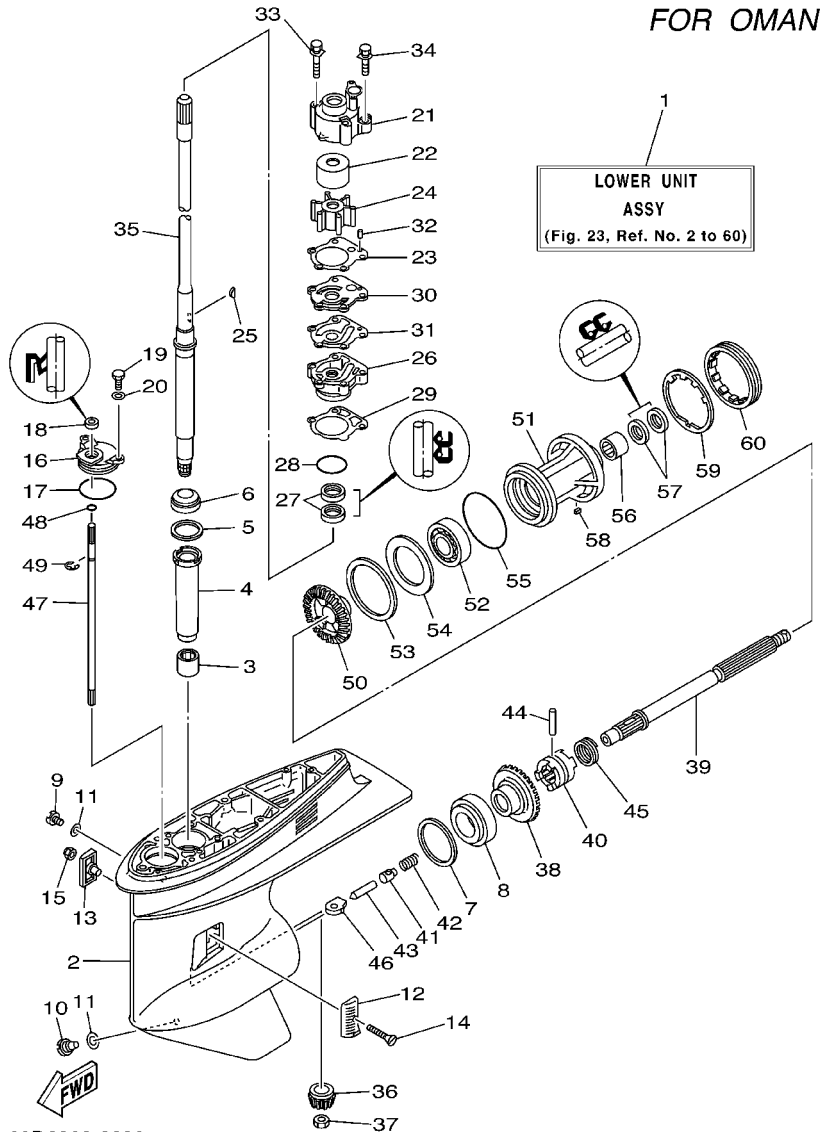
REF. NO.	PART NO. CODIGO NO.	DESCRIPTION DESCRIPTION	MHD	WHD	WD	REMARKS OBSERVACION
1	69D-45300-40-4D	LOWER UNIT ASSY CONJUNTO UNIDAD INFERIOR	1	1		L
2	688-45311-06-4D	CASING, LOWER FUNDA INFERIOR	1	1		
3	93315-325V1	BEARING COJINETE DE RODILLOS	1	1		
4	688-45536-01	SLEEVE, DRIVE SHAFT CAMISA EJE DE MANDO	1	1		
5	688-45587-01-10	SHIM (T:0.10MM) LAINA (T:0.10MM)	1	1		UR
	688-45587-01-12	SHIM (T:0.12MM) LAINA (T:0.12MM)	1	1		UR
	688-45587-01-15	SHIM (T:0.15MM) LAINA (T:0.15MM)	1	1		UR
	688-45587-01-18	SHIM (T:0.18MM) LAINA (T:0.18MM)	1	1		UR
	688-45587-01-30	SHIM (T:0.30MM) LAINA (T:0.30MM)	1	1		UR
	688-45587-01-40	SHIM (T:0.40MM) LAINA (T:0.40MM)	1	1		UR
	688-45587-01-50	SHIM (T:0.50MM) LAINA (T:0.50MM)	1	1		UR
6	93332-000U3	BEARING COJINETE DE RODILLOS AHUSADO	1	1		
7	688-45567-01-10	SHIM (T:0.10MM) LAINA (T:0.10MM)	1	1		UR
	688-45567-01-12	SHIM (T:0.12MM) LAINA (T:0.12MM)	1	1		UR
	688-45567-01-15	SHIM (T:0.15MM) LAINA (T:0.15MM)	1	1		UR
	688-45567-01-18	SHIM (T:0.18MM) LAINA (T:0.18MM)	1	1		UR
	688-45567-01-30	SHIM (T:0.30MM) LAINA (T:0.30MM)	1	1		UR
	688-45567-01-40	SHIM (T:0.40MM) LAINA (T:0.40MM)	1	1		UR
	688-45567-01-50	SHIM (T:0.50MM) LAINA (T:0.50MM)	1	1		UR
8	93332-000W7	BEARING COJINETE DE RODILLOS AHUSADO	1	1		
9	90340-08002	PLUG, STRAIGHT SCREW TORNILLO, DE DRENAJE	1	1		
10	688-45341-10	PLUG, DRAIN TAPON, DREN	1	1		
11	90430-08020	GASKET JUNTA	2	2		
12	6H1-45214-00	COVER, WATER INLET CUBIERTA ENTRADA AGUA	1	1		
13	6H1-45215-00	COVER, WATER INLET CUBIERTA ENTRADA AGUA	1	1		
14	90151-05M00	SCREW, COUNTERSUNK TORNILLO EMBUTIDO	1	1		
15	90185-05002	NUT, SELF-LOCKING TUERCA AUTOBLOCANTE	1	1		

FIG. 23 LOWER CASING. DRIVE 2

IMPULSOR E INFERIOR 2



REF. NO.	PART NO. CODIGO NO.	DESCRIPTION DESCRIPTION	MHD	WHD	WD	REMARKS OBSERVACION
16	688-45321-00	PLATE PLACA	1	1		
17	93210-49046	O-RING JUNTA TORICA	1	1		
18	93106-09014	OIL SEAL RETEN DE ACEITE	1	1		
19	97095-06016	BOLT PERNO	2	2		
20	92995-06600	WASHER ARANDELA	2	2		
21	688-44311-01	HOUSING, WATER PUMP CAJA BOMBA DE AGUA	1	1		
22	69D-44322-00	INSERT, CARTRIDGE CARTUCHO	1	1		
23	688-44315-A0	GASKET, WATER PUMP EMPAQUE	1	1		
24	688-44352-03	IMPELLER IMPULSOR	1	1		
25	90280-04M04	KEY, WOODRUFF CUNA WOODRUFF	1	1		
26	688-44341-01-94	HOUSING, WATER PUMP CAJA BOMBA DE AGUA	1	1		
27	93101-25M03	OIL SEAL RETEN DE ACEITE	2	2		
28	93210-46044	O-RING JUNTA TORICA	1	1		
29	688-44316-A0	GASKET, WATER PUMP EMPAQUE	1	1		
30	688-44323-40	OUTER PLATE, CARTRIDGE PLACA EXTERIOR DEL CARTUCHO	1	1		
31	688-44324-A0	GASKET, CARTRIDGE EMPAQUE	1	1		
32	93604-10M03	PIN, DOWEL PASADOR DE CLAVIJA	2	2		
33	90119-08M16	BOLT, WITH WASHER TORNILLO CON ARANDELA	2	2		
34	90119-08M13	BOLT, WITH WASHER TORNILLO CON ARANDELA	2	2		
35	69D-45501-10	DRIVE SHAFT COMP. EJE DE MANDO COMPL.	1	1		L
36	6K5-45551-00	PINION (12T) PINON (12T)	1	1		
37	90170-16M01	NUT TUERCA	1	1		
38	6K5-45560-00	GEAR ENGRANE COMPLE 1	1	1		
39	688-45611-00	SHAFT, PROPELLER EJE PROPUSOR	1	1		
40	688-45631-01	CLUTCH, DOG EMBRAGUE DE GARRA	1	1		
41	688-45634-00	SLIDE, SHIFT DESLIZADOR, CAMBIO	1	1		
42	90501-16233	SPRING, COMPRESSION RESORTE DE COMPRESION	1	1		



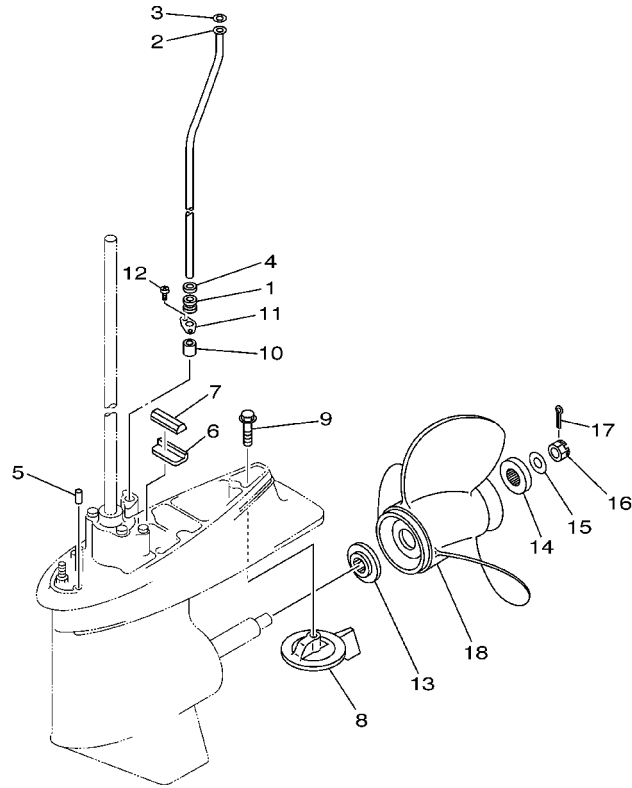
69D2200-3230

FIG. 23 LOWER CASING. DRIVE 2 IMPULSOR E INFERIOR 2

REF. NO.	PART NO. CODIGO NO.	DESCRIPTION DESCRIPTION	MHD	WHD	WD	REMARKS OBSERVACION
43	688-45635-00	PLUNGER, SHIFT EMBOLO DE CAMBIO	1	1		
44	90250-07M02	PIN, STRAIGHT PASADOR CILINDRICO	1	1		
45	688-45633-00	RING, CROSS PIN ANILLO DE PASADOR	1	1		
46	663-44151-00	CAM, SHIFT LEVA DE CAMBIO	1	1		
47	6K5-44144-00	ROD, SHIFT VARILLA DE CAMBIO	1	1		
48	93210-07003	O-RING JUNTA TORICA	1	1		
49	99001-08600	CIRCLIP PRESILLA REDONDA	1	1		
50	6K5-45571-00	GEAR ENGRANAJE	1	1		
51	688-45331-00-94	HOUSING, BEARING CAJA DE COJINETE	1	1		
52	93306-207U0	BEARING COJINETE	1	1		
53	688-45577-01-10	SHIM (T:0.10MM) LAINA (T:0.10MM)	1	1		UR
	688-45577-01-12	SHIM (T:0.12MM) LAINA (T:0.12MM)	1	1		UR
	688-45577-01-15	SHIM (T:0.15MM) LAINA (T:0.15MM)	1	1		UR
	688-45577-01-18	SHIM (T:0.18MM) LAINA (T:0.18MM)	1	1		UR
	688-45577-01-30	SHIM (T:0.30MM) LAINA (T:0.30MM)	1	1		UR
	688-45577-01-40	SHIM (T:0.40MM) LAINA (T:0.40MM)	1	1		UR
	688-45577-01-50	SHIM (T:0.50MM) LAINA (T:0.50MM)	1	1		UR
54	688-45576-00	WASHER, THRUST ARANDELA DE EMPUJE AXIAL	1	1		
55	93210-85M97	O-RING JUNTA TORICA	1	1		
56	93317-325U0	BEARING COJINETE DE RODILLOS	1	1		
57	93101-25M03	OIL SEAL RETEN DE ACEITE	2	2		
58	90282-04010	KEY, STRAIGHT CHAVETA, RECTA	1	1		
59	688-45383-02	WASHER, CLAW ARANDELA DE UNA	1	1		
60	688-45384-00	NUT TUERCA	1	1		

FIG. 24 LOWER CASING. DRIVE 3

IMPULSOR E INFERIOR 3



REF. NO.	PART NO. CODIGO NO.	DESCRIPTION DESCRIPTION	MHD	WHD	WD	REMARKS OBSERVACION
1	663-44367-00	DAMPER, WATER SEAL GOMA DEL SELLO DE AGUA	1	1	1	
2	69D-44361-00	TUBE, WATER TUBO DE AGUA	1			S
	69D-44361-10	TUBE, WATER TUBO DE AGUA	1	1	1	L
	69D-44361-20	TUBE, WATER TUBO DE AGUA	1			X
3	90202-12060	WASHER, PLATE ARANDELA DE PLANA	1	1	1	
4	90430-12072	GASKET JUNTA	1	1	1	
5	93606-12019	PIN, DOWEL PASADOR DE CLAVIJA	2	2	2	
6	663-45376-00-94	GUIDE, SEAL DAMPER GUIA DE SELLO GOMA	1	1	1	
7	688-45375-00	DAMPER, SEAL GOMA DE SELLO	1	1	1	
8	688-45371-02	TAB-TRIM QUILLA ESTABILIZADOR	1	1	1	
9	90105-10M67	BOLT, FLANGE TORNILLO	1	1	1	
10	663-44366-00	DAMPER, WATER SEAL GOMA DEL SELLO DE AGUA	1	1	1	
11	90480-19M06	GROMMET TAPON	1	1	1	
12	97780-40512	SCREW, TAPPING TORNILLO DE CABEZA DE CONO ACH	2	2	2	
13	688-45987-01	SPACER ESPACIADOR	1	1	1	
14	688-45997-01	SPACER ESPACIADOR	1	1	1	
15	90201-17M00	WASHER, PLATE ARANDELA PLANA	1	1	1	
16	90171-16011	NUT, CASTLE TUERCA ENTALLADA	1	1	1	
17	91490-40025	PIN, COTTER CHAVETA	1	1	1	
18	6E5-45941-00-EL	PROPELLER (3X13"X19"-K) PROPELA (3X13"X19"-K)	1	1	1	UR
	6E5-45943-00-EL	PROPELLER (3X12-5/8"X21"-K) PROPELA (3X12-5/8"X21"-K)	1	1	1	UR
	6E5-45945-01-EL	PROPELLER (3X13-1/4"X17"-K) PROPELA (3X13-1/4"X17"-K)	1	1	1	UR
	6E5-45947-00-EL	PROPELLER (3X13-1/2"X15"-K) PROPELA (3X13-1/2"X15"-K)	1	1	1	UR
	6E5-45949-00-EL	PROPELLER (3X13-5/8"X13"-K) PROPELA (3X13-5/8"X13"-K)	1	1	1	UR
	6E5-45952-00-EL	PROPELLER (3X13"X23"-K) PROPELA (3X13"X23"-K)	1	1	1	UR
	6E5-45954-00-EL	PROPELLER (3X14"X11"-K) PROPELA (3X14"X11"-K)	1	1	1	UR
	6E5-45956-00-EL	PROPELLER (3X13"X25"-K) PROPELA (3X13"X25"-K)	1	1	1	UR

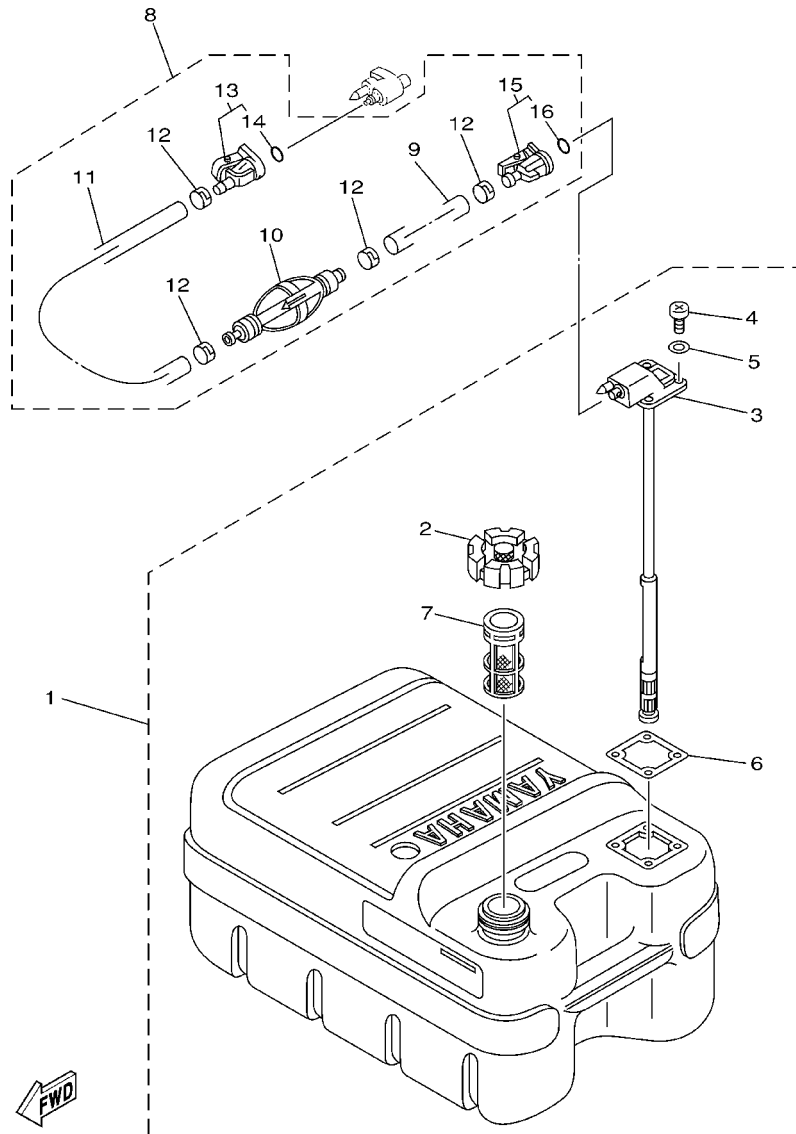


69D0100-1200

B3

FIG. 25 FUEL TANK

DEPOSITO DE COMBUSTIBLE

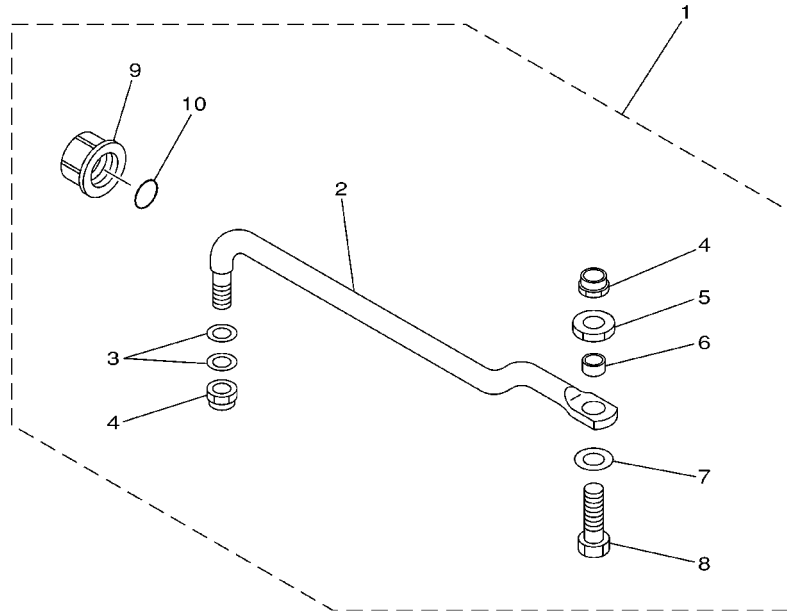


66T0100-9240

REF. NO.	PART NO. CODIGO NO.	DESCRIPTION DESCRIPTION	MHD	WHD	WD	REMARKS OBSERVACION
1	6YJ-24201-00	FUEL TANK ASSY (24L)	1	1	1	AP
	6YJ-24201-10	TANQUE DEL COMBUSTIBLE (24L)	1	1	1	AP FOR CHINA
2	6YJ-24610-01	.CAP ASSY	1	1	1	
		.TAPA COMPLETA				
3	6YJ-24260-00	.FUEL METER ASSY	1	1	1	
		.MEDIDOR DE COMBUSTIBLE COMPL.				
	6Y1-24260-12	.FUEL METER ASSY	1	1	1	FOR CHINA
		.MEDIDOR DE COMBUSTIBLE COMPL.				
4	98586-05016	.SCREW, PAN HEAD	4	4	4	
		.TORNILLO DE CABEZA CON PLANA				
5	6Y1-24329-00	.SEAL	4	4	4	
		.SELLO				
6	6Y1-24268-00	.GASKET, FUEL METER	1	1	1	
		.EMPAQ MEDIDOR DE COMBUSTIBLE				
7	6YJ-24167-00	.STRAINER	1	1	1	
		.COLADOR				
8	61J-24306-02	FUEL PIPE COMP. 1	1	1	1	AP
		TUBO COMBUST. COMPL 1				
9	90445-11M06	.HOSE (L2050)	1	1	1	
		.MANGUERA (L2050)				
10	61J-24360-00	.PRIMER PUMP ASSY	1	1	1	
		.SOPORTE BOMBA				
11	90445-11M05	.HOSE (L850)	1	1	1	
		.MANGUERA (L850)				
12	650-24351-51	.BAND 1	4	4	4	
		.ABRAZADERA 1				
13	6G1-24305-03	.FUEL PIPE JOINT COMP. 2	1	1	1	
		.CONECTOR MANGUERA COMBUST. 2				
14	93210-08287	..O-RING	1	1	1	
		..JUNTA TORICA				
15	6Y1-24305-04	.FUEL PIPE JOINT COMP. 2	1	1	1	
		.CONECTOR MANGUERA COMBUST. 2				
16	93210-08287	..O-RING	1	1	1	
		..JUNTA TORICA				

FIG. 26 STEERING GUIDE

DIRECCIONGUIAR

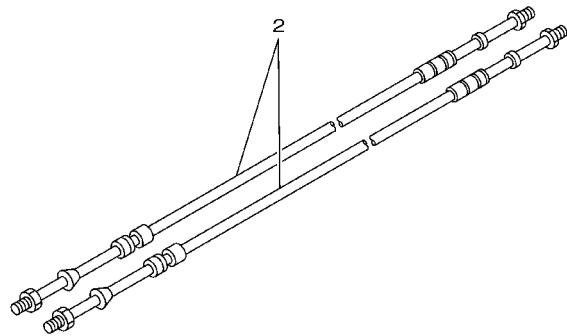
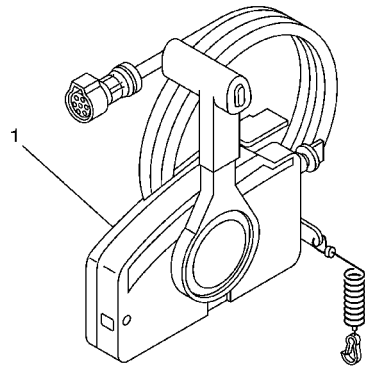


REF. NO.	PART NO. CODIGO NO.	DESCRIPTION DESCRIPTION	MHD	WHD	WD	REMARKS OBSERVACION
1	688-61350-10	STEERING GUIDE ATTACHMENT KIT ESTUCHE ADITAMENTO GUIA DE TIM			1	AP
2	688-61351-10	.ROD, STEERING LINK .VARILLA ESLABON DIRECCION			1	
3	90201-10M20	.WASHER, PLATE .ARANDELA PLANA			2	
4	90185-09M01	.NUT, SELF-LOCKING .TUERCA AUTOBLOCANTE			2	
5	90170-09M03	.NUT .TUERCA			1	
6	90387-10M42	.COLLAR .COLLAR			1	
7	90201-10M63	.WASHER, PLATE .ARANDELA PLANA			1	
8	6E5-61355-00	.BOLT .TORNILLO			1	
9	6E5-43145-01	.CAP, CLAMP BRACKET .TAPA			1	
10	93210-16275	.O-RING .JUNTA TORICA			1	

6880700-9190

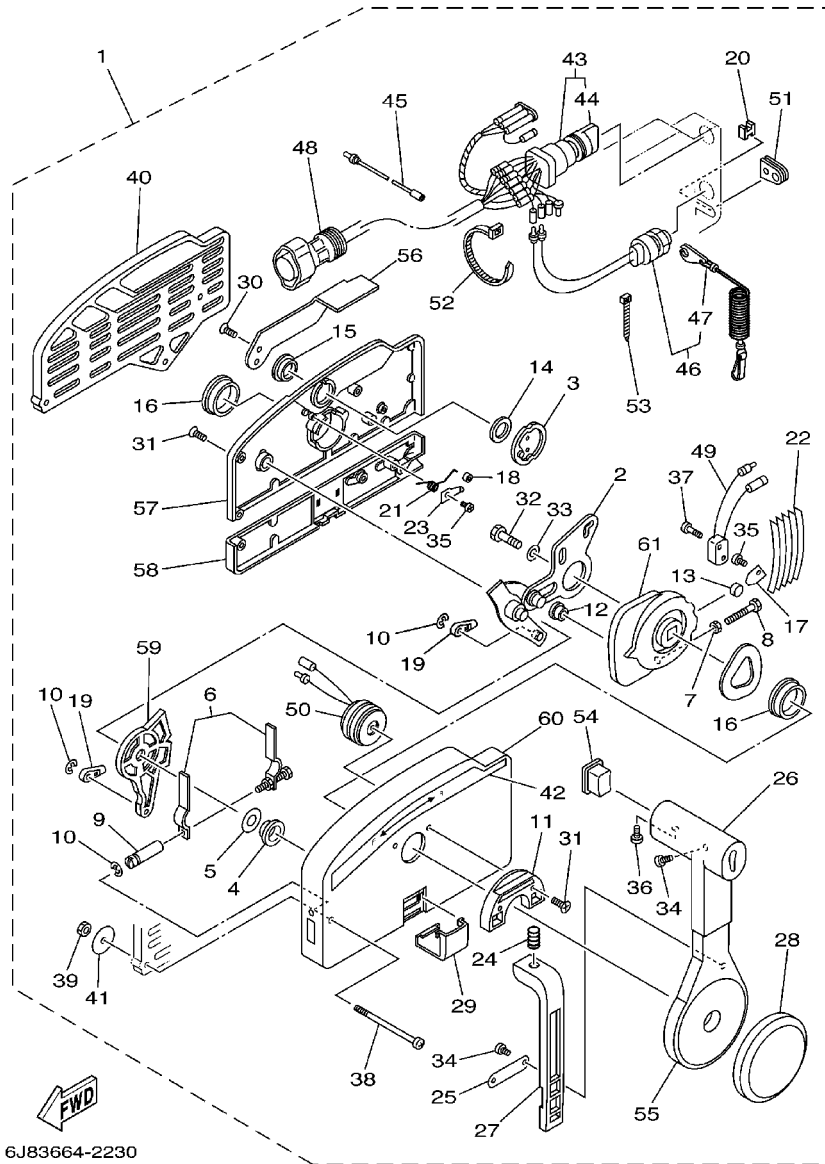
FIG. 27 REMOTE CONTROL BOX

CONTROL REMOTO COMPL.



REF. NO.	PART NO. CODIGO NO.	DESCRIPTION DESCRIPTION	MHD	WHD	WD	REMARKS OBSERVACION
1	703-48230-15	REMOTE CONTROL ASSY CONTROL REMOTO COMPL.			1	AP
2	701-48320-20	CABLE, REMOTE CONTROL L=13F CABLE CONTROL REMOTO L=13F			2	UR
	701-48320-50	CABLE, REMOTE CONTROL L=15F CABLE CONTROL REMOTO L=15F			2	UR

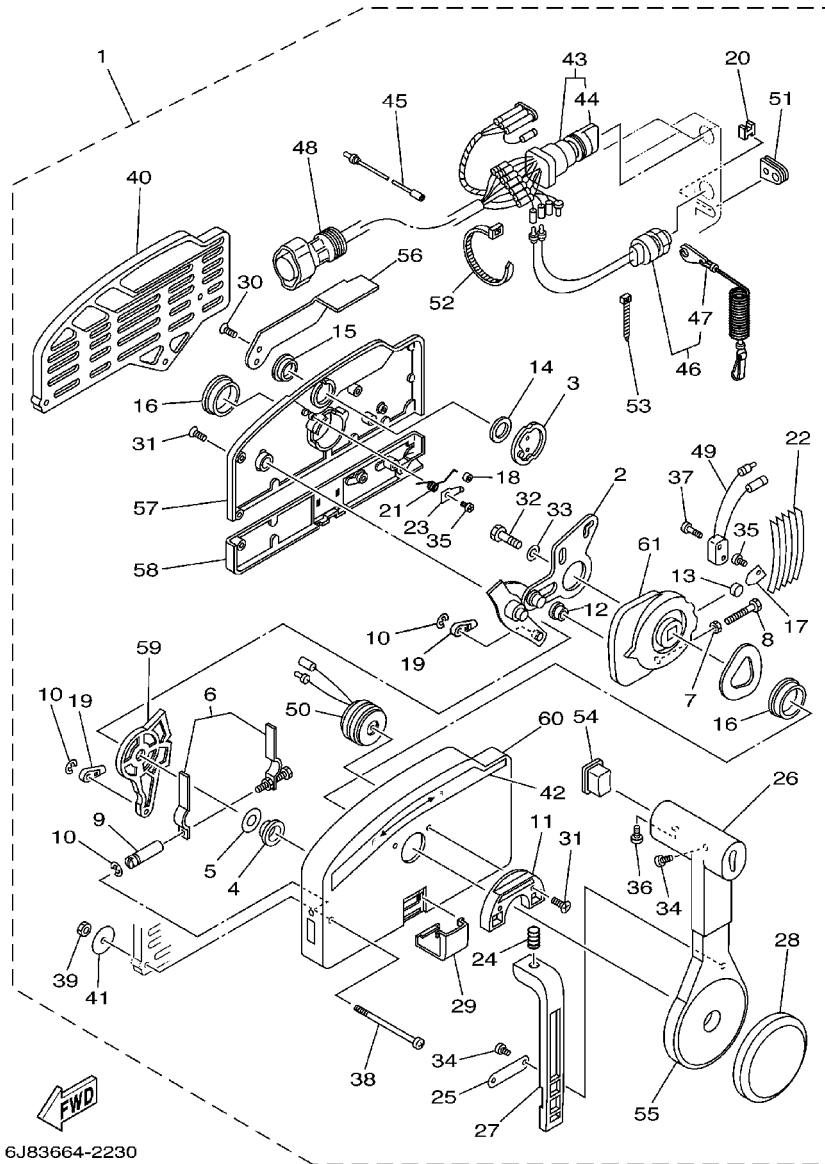

67M0100-8280



6J83664-2230

FIG. 28 REMOTE CONTROL ASSY CONTROL REMOTO COMPL.

REF. NO.	PART NO. CODIGO NO.	DESCRIPTION DESCRIPTION	MHD	WHD	WD	REMARKS OBSERVACION
1	703-48230-15	REMOTE CONTROL ASSY CONTROL REMOTO COMPL.			1	AP
2	703-48261-11	.ARM, THROTTLE .BRAZO ACELERADOR			1	
3	703-48153-00	.SHAFT, FREE ACCEL. .EJE			1	
4	703-48235-00	.BUSHING .BUJE			1	
5	703-48268-00	.SPACER .ESPACIADOR.3			1	
6	703-48264-00	.THROTTLE, FRICTION .FRICCION ACELERADOR			1	
7	95380-05600	.NUT .TUERCA			1	
8	97380-05025	.BOLT .TORNILLO HEXAGONAL			1	
9	703-48265-00	.SHAFT, FRICTION .EJE FRICCION			1	
10	93430-06024	.CIRCLIP SEGURO			3	
11	703-48245-00	.PLATE, LOCK .PLACA CERRADURA			1	
12	703-48252-00	.ROLLER, CAM .RODILLO LEVA			1	
13	701-48248-00	.ROLLER, FREE ACCEL. .RODILLO ACELERADOR LIBRE			1	
14	703-48198-00	.WASHER, WAVE .RONDANA ONDULADA 3			1	
15	703-48243-00	.BUSHING .BUJE 3			1	
16	703-48236-00	.BUSHING 1 .BUJE			2	
17	703-48189-00	.RETAINER .RETENEDOR			1	
18	703-48234-00	.ROLLER, DETENT .RODILLO			1	
19	703-48345-01	.CABLE END, REMOTE CONTROL 2 .TERMINAL CABLE DE CONTROL REM			2	
20	703-48358-00	.ANCHOR, CABLE .ABRAZADERA CABLE			1	
21	703-48244-00	.SPRING, FREE ACCEL. .RESORTE ACELERADOR LIBRE			1	
22	703-48238-00	.SPRING, DETENT .RESORTE			5	
23	703-48246-00	.SPACER .ESPACIADOR			1	
24	703-48227-00	.SPRING, NEUTRAL LOCK .RESORTE DE SEGURO			1	
25	703-48226-00	.PLATE, STOPPER .PLACA RETEN			1	
26	703-48222-00	.GRIP, CONTROL LEVER .MANGO DE PALANCA CONTROL			1	SINGLE
27	703-48223-00	.LOCK, NEUTRAL .CERRADURA NEUTRO			1	



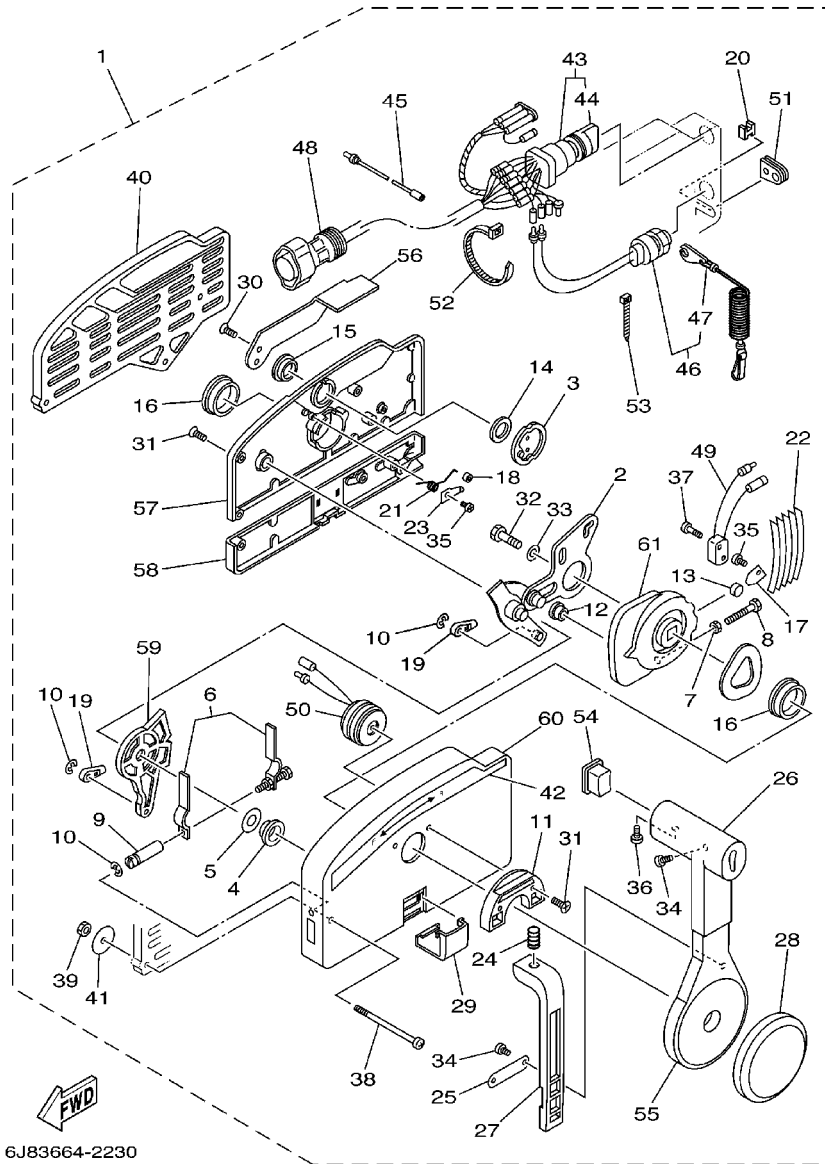
6J83664-2230

FIG. 28 REMOTE CONTROL ASSY CONTROL REMOTO COMPL.

REF. NO.	PART NO. CODIGO NO.	DESCRIPTION DESCRIPTION	MHD	WHD	WD	REMARKS OBSERVACION
28	703-48225-00	.COVER .CUBIERTA			1	
29	703-48219-00	.COVER, LEAD .CUBIERTA			1	
30	703-48281-00	.SCREW .TORNILLO 1			2	
31	703-48282-00	.SCREW .TORNILLO 2			7	
32	97380-08030	.BOLT .TORNILLO HEXAGONAL			1	
33	92990-08600	.WASHER, PLATE .ARANDELA PLANA			1	
34	98580-04010	.SCREW, PAN HEAD .TORNILLO DE CABEZA CRUZADA			3	
35	98580-04006	.SCREW, PAN HEAD .TORNILLO DE CABEZA CRUZADA			2	
36	98580-05010	.SCREW, PAN HEAD .TORNILLO DE CABEZA CRUZADA			1	
37	98580-03015	.SCREW, PAN HEAD .TORNILLO DE CABEZA CRUZADA			2	
38	703-48291-10	.SCREW (M6) .TORNILLO (M6)			3	
39	95380-06600	.NUT, HEXAGON .TUERCA			3	
40	703-48293-10	.SPACER, REMOTE CONTROL .ESPACIADOR			1	SINGLE
41	701-48287-00	.WASHER .ARANDELA			3	
42	703-48215-00	.GRAPHIC .CALCOMANIA 1			1	
43	703-82510-33	.MAIN SWITCH ASSY .CONJUNTO DE LLAVE IGNICION			1	
44	703-82577-00	..CAP, KEY ..TAPA			1	
45	703-82531-00	.WIRE, LEAD .CABLE CONDUCTOR			1	
46	688-82575-01	.ENGINE STOP SWITCH ASSY .INTERRUPTOR DE PARADA COMPL			1	
47	682-82556-00	..STOPPER ..RETENER			1	
48	688-82586-21	.EXTENSION, WIRE HARNESS .EXTENSION, CONJ. DE CABLES			1	L:5M (7P)
49	703-82540-00	.NEUTRAL SWITCH ASSY .INTERRUPTOR NEUTRAL COMPL			1	
50	703-83383-02	.BUZZER .ZUMBADOR			1	
51	703-48284-00	.GROMMET .TAPON 1			1	
52	703-82591-00	.BAND .BANDA			1	
53	703-82592-00	.BAND .BANDA			1	
54	703-48224-00	.COVER, CONTROL LEVER .CUBIERTA DE PALANCA CONTROL			1	WITHOUT PT/T SW.

FIG. 28 REMOTE CONTROL ASSY

CONTROL REMOTO COMPL.

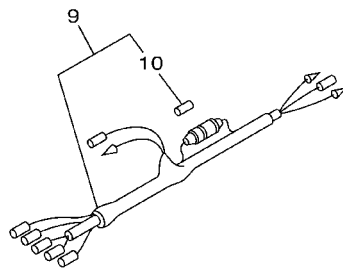
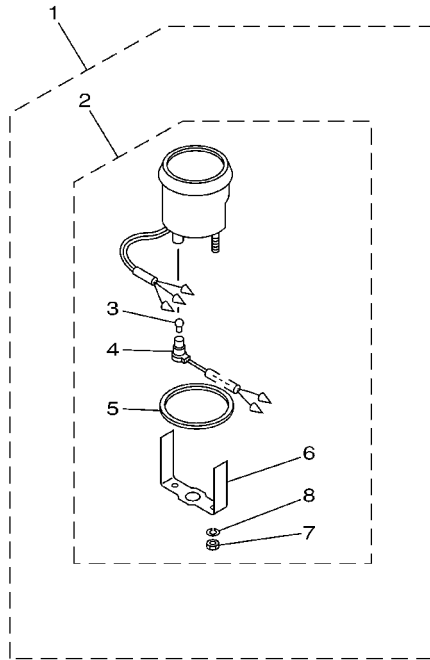


6J83664-2230

REF. NO.	PART NO. CODIGO NO.	DESCRIPTION DESCRIPTION	MHD	WHD	WD	REMARKS OBSERVACION
55	703-48221-00	.LEVER, CONTROL .PALANCA CONTROL			1	
56	703-48152-00	.KNOB, FREE ACCEL. .PERILLA			1	
57	703-48212-00	.BACK PLATE 1 .PLACA TRASERA 1			1	
58	703-48213-00	.BACK PLATE 2 .PLACA TRASERA 2			1	
59	703-48271-00	.ARM, SHIFT .BRAZO CAMBIADOR			1	
60	703-48211-01	.HOUSING,1 .CAJA			1	
61	703-48232-00	.GEAR .ENGRANAJE 1			1	

FIG. 29 METER

MEDIDOR

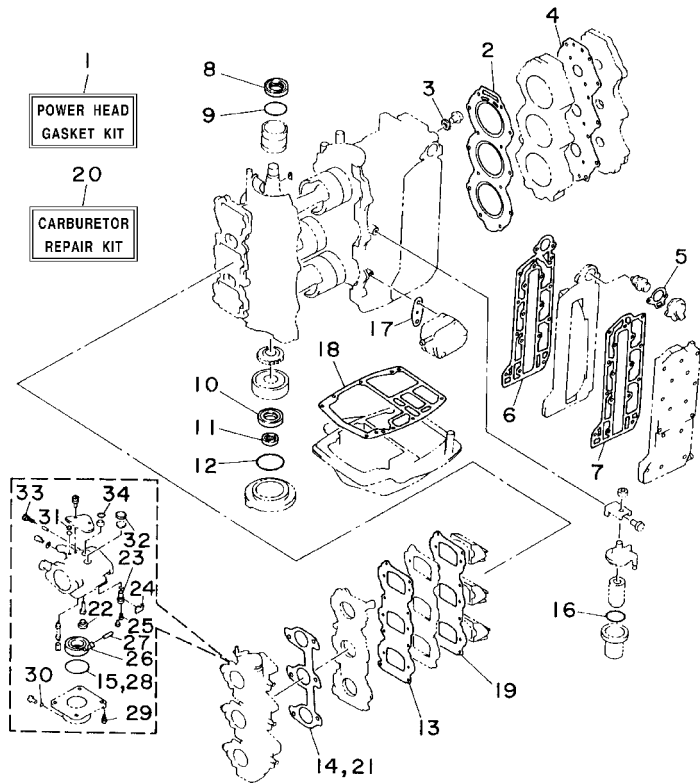


REF. NO.	PART NO. CODIGO NO.	DESCRIPTION DESCRIPTION	MHD	WHD	WD	REMARKS OBSERVACION
1	6Y5-W0080-12	TACHOMETER KIT JUEGO DE TACOMETRO			1	AP FOR CHINA
2	6Y5-83540-14	.TACHOMETER ASSY .TACOMETRO COMPLETO			1	WITHOUT OIL LAMP
3	6Y5-83517-00	..BULB (12V-1.7W, T10) ..BOMBILLA (12V-1.7W, T10)			1	
4	6Y5-83536-10	..SOCKET, METER ..ENCASTRE DE MEDIDOR			1	
5	6Y5-83523-00	..DAMPER ..AMORTIGUADOR			1	
6	6Y5-83514-00	..PLATE, FITTING ..PLACA ACCESORIA			1	
7	95380-05600	..NUT ..TUERCA			2	
8	92990-05100	..WASHER, SPRING ..ARANDELA GROWER			2	
9	6Y5-83553-00	WIRE, LEAD CABLE CONDUCTOR			1	AP FOR CHINA
10	1E6-82151-00	.FUSE (10A) .FUSIBLE (10A)			1	

6K50200-0270

FIG. 30 REPAIR KIT 1

ESTUCHE REPARATION 1



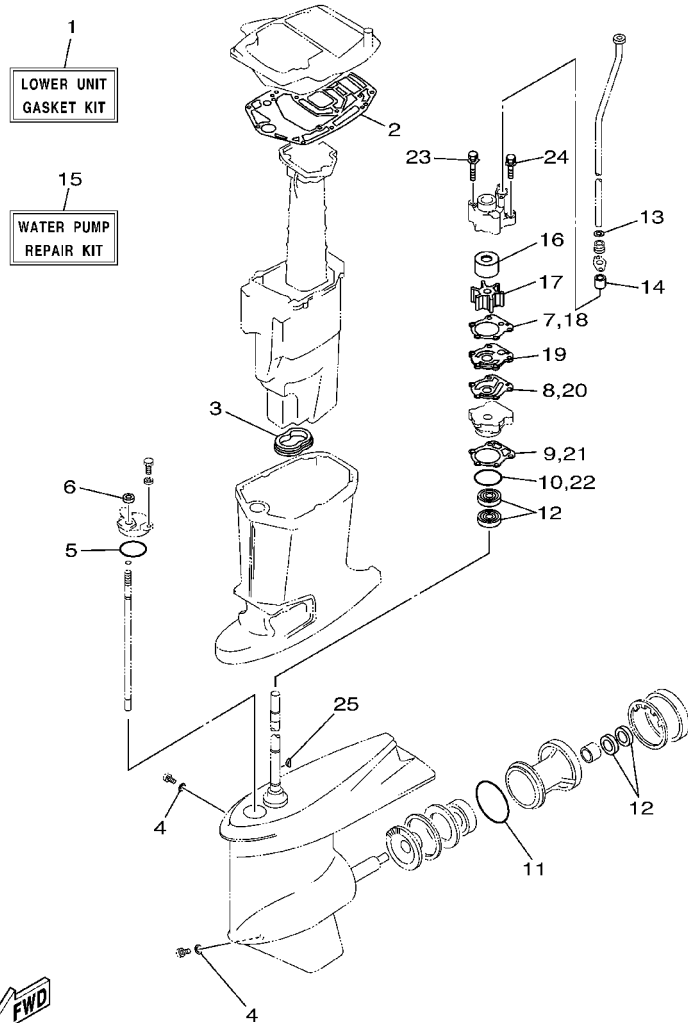
REF. NO.	PART NO. CODIGO NO.	DESCRIPTION DESCRIPTION	MHD	WHD	WD	REMARKS OBSERVACION
1	69D-W0001-00	POWER HEAD GASKET KIT JUEGO DE EMPAQUE DE MOTOR	1	1	1	
2	6H3-11181-A1	.GASKET, CYLINDER HEAD 1 .JUNTA, DE CULATA 1	1	1	1	
3	90430-14115	.GASKET .JUNTA	1	1	1	
4	6H3-11193-A1	.GASKET, HEAD COVER 1 .EMPAQUE	1	1	1	
5	6H3-12414-A1	.GASKET, COVER .EMPAQUE	1	1	1	
6	6H3-41112-A0	.GASKET, EXHAUST INNER COVER .EMPAQUE	1	1	1	
7	6H3-41114-A0	.GASKET, EXHAUST OUTER COVER .EMPAQUE	1	1	1	
8	93102-36M24	.OIL SEAL .RETEN DE ACEITE	1	1	1	
9	93210-46M16	.O-RING .JUNTA TORICA	1	1	1	
10	93102-30M23	.OIL SEAL .RETEN DE ACEITE	1	1	1	
11	93106-18M01	.OIL SEAL .RETEN DE ACEITE	1	1	1	
12	93210-65M50	.O-RING .JUNTA TORICA	1	1	1	
13	6H3-13621-A1	.GASKET, VALVE SEAT .JUNTA, DE VALV.DE EMPAQUE	1	1	1	
14	6H3-14198-A1	.GASKET .EMPAQUE	1	1	1	
15	6G1-14984-00	.O-RING .EMPAQUE CAMARA DE BOIA	3	3	3	
16	61A-24564-00	.O-RING .ANILLO O	1	1	1	
17	650-24431-A0	.GASKET, FUEL PUMP 1 .EMPAQUE BOMBA COMBUST 1	1	1	1	
18	6H3-45113-A0	.GASKET, UPPER CASING .EMPAQUE	1	1	1	
19	6H3-13622-A1	.GASKET, VALVE SEAT .EMPAQUE DE ASIENTO VALVULA	1	1	1	
20	6H3-W0093-02	CARBURETOR REPAIR KIT KIT REPARACION CARBURADOR	1	1	1	
21	6H3-14198-A1	.GASKET .EMPAQUE	1	1	1	
22	676-14966-00	.CAP .TAPA	3	3	3	
23	6H3-14590-01	.NEEDLE VALVE ASSY .VALVULA DE AGUJA COMPLETA	3	3	3	
24	663-14159-00	.CLIP .PRESILLA	3	3	3	
25	676-14186-00	.PIN, FLOAT .PASADOR DE LA BOYA	3	3	3	
26	6G1-14985-00	.FLOAT .BOIA	3	3	3	
27	688-14548-00	.PIN, FLOAT ARM .PASADOR DE BRAZO DE BOIA	3	3	3	



6H20010-4180

FIG. 31 REPAIR KIT 2

ESTUCHE REPARACION 2



FWD
69D0100-1230

REF. NO.	PART NO. CODIGO NO.	DESCRIPTION DESCRIPTION	MHD	WHD	WD	REMARKS OBSERVACION
1	69D-W0001-20	LOWER UNIT GASKET KIT JUEGO DE EMPAQUE UNIDAD INFER.	1	1	1	
2	6H3-45114-A1	.GASKET, UPPER CASING .EMPAQUE	1	1	1	
3	6H3-45123-00	.GASKET, MUFFLER .EMPAQUE SILENCIADOR	1	1	1	
4	90430-08020	.GASKET .JUNTA	2	2	2	
5	93210-49046	.O-RING .JUNTA TORICA	1	1	1	
6	93106-09014	.OIL SEAL .RETEN DE ACEITE	1	1	1	
7	688-44315-A0	.GASKET, WATER PUMP .EMPAQUE	1	1	1	
8	688-44324-A0	.GASKET, CARTRIDGE .EMPAQUE	1	1	1	
9	688-44316-A0	.GASKET, WATER PUMP .EMPAQUE	1	1	1	
10	93210-46044	.O-RING .JUNTA TORICA	1	1	1	
11	93210-85M97	.O-RING .JUNTA TORICA	1	1	1	
12	93101-25M03	.OIL SEAL .RETEN DE ACEITE	4	4	4	
13	90430-12072	.GASKET .JUNTA	1	1	1	
14	663-44366-00	.DAMPER, WATER SEAL .GOMA DEL SELLO DE AGUA	1	1	1	
15	69D-W0078-00	WATER PUMP REPAIR KIT ESTUCHE REPARACION BOMBA AGUA	1	1	1	
16	69D-44322-00	.INSERT, CARTRIDGE .CARTUCHO	1	1	1	
17	688-44352-03	.IMPELLER .IMPULSOR	1	1	1	
18	688-44315-A0	.GASKET, WATER PUMP .EMPAQUE	1	1	1	
19	688-44323-40	.OUTER PLATE, CARTRIDGE .PLACA EXTERIOR DEL CARTUCHO	1	1	1	
20	688-44324-A0	.GASKET, CARTRIDGE .EMPAQUE	1	1	1	
21	688-44316-A0	.GASKET, WATER PUMP .EMPAQUE	1	1	1	
22	93210-46044	.O-RING .JUNTA TORICA	1	1	1	
23	90119-08M16	.BOLT, WITH WASHER .TORNILLO CON ARANDELA	2	2	2	
24	90119-08M13	.BOLT, WITH WASHER .TORNILLO CON ARANDELA	2	2	2	
25	90280-04M04	.KEY, WOODRUFF .CUNA WOODRUFF	1	1	1	

NUMERICAL INDEX
INDICE NUMERICO

PART NO. CODIGO NO.	REF. NO.	PART NO. CODIGO NO.	REF. NO.	PART NO. CODIGO NO.	REF. NO.	PART NO. CODIGO NO.	REF. NO.	PART NO. CODIGO NO.	REF. NO.	PART NO. CODIGO NO.	REF. NO.
69D-W0001-00	30 - 1	6H3-12413-00-1S	2 - 32	692-14923-00	30 - 33	663-15794-00	7 - 52	6H3-41114-A0	30 - 7	6H3-42649-00-94	1 - 3
69D-W0001-20	31 - 1	6H3-12414-A1	2 - 33	676-14943-34	5 - 5	6YJ-24167-00	25 - 7	6H2-41131-00-5B	21 - 11	6H3-42652-00	1 - 5
688-W0004-00	4 - 2		30 - 5	6K5-14945-36	5 - 35	6YJ-24201-00	25 - 1	6H3-41137-01-94	21 - 5	663-42662-00	1 - 4
6K5-W0070-H0	1 - 15	677-13437-08	1 - 17	6H2-14947-02	5 - 4	6YJ-24201-10	25 - 1	6H3-41213-01	16 - 22	69D-42677-H0	1 - 18
69D-W0078-00	31 - 15	6H2-13610-00	4 - 1	6H4-14948-15	5 - 6	6YJ-24260-00	25 - 3	6H3-41217-00	4 - 12	6K5-42678-H0	1 - 16
6Y5-W0080-12	29 - 1	6H3-13621-A1	4 - 6	6K5-14950-21	5 - 36	6Y1-24260-12	25 - 3	662-41237-01	16 - 14	6H3-42711-05-4D	14 - 1
69D-W0090-01-1S	2 - 1		30 - 13	676-14966-00	5 - 7	6Y1-24268-00	25 - 6		16 - 20	6H3-42711-14-4D	14 - 1
6H3-W0093-02	30 - 20	6H3-13622-A1	4 - 8		30 - 22	6G1-24304-02	6 - 1	682-41237-50	16 - 19	648-42715-00	16 - 27
692-W1571-02	7 - 1		30 - 19	6H2-14980-00	5 - 15	6G1-24305-03	25 - 13	6H3-41238-00	16 - 1	6H3-42716-02	14 - 12
656-W2810-02	6 - 48	6H3-13624-00-94	4 - 7	6G1-14984-00	5 - 14	6Y1-24305-04	25 - 15	6H3-41257-00	4 - 13	6K5-42717-00	14 - 13
6H3-11111-01-1S	2 - 24	6H3-13641-03-94	4 - 5		30 - 15	61J-24306-02	25 - 8	6J8-41262-00	18 - 12	6H3-42718-00	14 - 34
6K5-11119-01	2 - 20	663-14126-00	5 - 19		30 - 28	69D-24311-00	6 - 4	661-41262-02	4 - 14	6E5-42724-00	14 - 14
6H3-11181-A1	2 - 25		30 - 31	6G1-14985-00	5 - 12	663-24312-01	2 - 40		4 - 17	6H3-42725-00	14 - 15
	30 - 2	688-14126-00	5 - 21		30 - 26	69D-24312-00	6 - 23	6H3-41271-00	4 - 15	6H3-42725-00	14 - 15
6H3-11191-00-1S	2 - 26		30 - 32	6H3-14992-00	5 - 17	6H3-24313-00	6 - 44	689-41273-00	4 - 16	6K5-42725-00	14 - 15
6H3-11193-A1	2 - 27	663-14159-00	5 - 9	69D-15100-00-1S	2 - 2	6H3-24314-00	6 - 46	6H4-41611-00	8 - 12	6H4-42726-00	14 - 24
	30 - 4		30 - 24	6H3-15359-00-94	3 - 1	6Y1-24329-00	25 - 5	6H3-41612-00	8 - 13	6H3-42727-00	14 - 19
6H3-11325-01	2 - 16	676-14186-00	5 - 10	692-15711-00	7 - 2	650-24351-51	25 - 12	6H3-41612-10	8 - 16	6H3-42738-01-5B	14 - 16
6H3-11327-00-1S	2 - 17		30 - 25	663-15713-00	7 - 5	61J-24360-00	25 - 10	6K5-41618-00	8 - 17	6H3-42741-01-4D	14 - 28
6H3-11328-00	2 - 18	6H3-14198-A1	4 - 11	663-15714-01	7 - 6	688-24378-00	6 - 43	6H3-41631-00	16 - 2	6H3-42768-00	14 - 23
650-11370-01	2 - 4		30 - 14	663-15715-00	7 - 12	692-24410-00	6 - 26	6H3-41632-00	16 - 8	6H3-42771-01-4D	14 - 29
688-11370-01	2 - 3		30 - 21	663-15716-01	7 - 13	663-24411-00	6 - 31	6H3-41633-00	16 - 11	6G5-42791-00	14 - 35
69D-11400-00	3 - 7	6K5-14301-03	5 - 1	663-15719-00	7 - 15	692-24411-00	6 - 28	679-41636-00	16 - 15	6G5-42791-10	14 - 35
6K5-11401-00	3 - 8	6K5-14302-03	5 - 2	6K5-15723-00	7 - 46	6A0-24412-02	6 - 37	663-42111-02-4D	15 - 1	6H3-42813-00	14 - 7
6K5-11402-00	3 - 15	6K5-14303-03	5 - 3	663-15726-01	7 - 10	6A0-24413-00	6 - 27	692-42111-21-4D	15 - 1	6H3-42815-01-4D	14 - 3
6K5-11403-00	3 - 22	6A0-14325-00	6 - 36	663-15734-01	7 - 14	6A0-24421-01	6 - 35	663-42115-00	15 - 10	6H3-42816-00	14 - 9
6K5-11412-00	3 - 9	6H3-14413-10	4 - 18	663-15735-01	7 - 50	650-24431-A0	6 - 38	692-42115-00	15 - 10	6H3-42817-01-4D	14 - 4
6K5-11422-00	3 - 10	6H3-14440-02	4 - 19	663-15736-00	7 - 55		30 - 17	664-42119-00	15 - 2	6H3-42818-00	14 - 10
	3 - 16	6H3-14457-01	4 - 20	663-15739-00	7 - 4	648-24434-01	6 - 29	692-42121-02-4D	15 - 20	63D-43111-01-4D	19 - 1
6H3-11432-00	3 - 17	624-14485-00	2 - 5	663-15741-02	7 - 8	648-24435-02	6 - 32	663-42126-01	15 - 56	688-43111-13-4D	17 - 1
	3 - 23	6K5-14488-00	4 - 23	663-15744-00	7 - 11	61A-24469-00	6 - 13	663-42133-01	15 - 14	697-43111-05-4D	17 - 1
6K5-11442-00	3 - 24	63V-14523-00	5 - 29	663-15752-00	7 - 18	61A-24521-00	6 - 8	663-42134-03-94	15 - 15	63D-43112-01-4D	19 - 8
6H3-11515-00	3 - 34	6H2-14527-01	5 - 23	663-15753-00	7 - 19	65L-24531-01	6 - 9	663-42135-01	15 - 13	688-43112-12-4D	17 - 9
6K5-11601-02	3 - 38	663-14527-00	5 - 20	663-15754-00	7 - 9	65L-24558-00	6 - 14	6K5-42137-00	15 - 4	697-43112-03-4D	17 - 9
6K5-11601-12	3 - 38	688-14527-00	5 - 22	689-15755-01	7 - 23	61A-24560-04	6 - 7	663-42138-00	15 - 11	648-43114-01	17 - 12
6K5-11601-22	3 - 38	688-14548-00	5 - 13	6K5-15758-01-94	7 - 40	61A-24563-00	6 - 12	6F6-42177-A0	15 - 3		19 - 11
6K5-11631-03-95	3 - 37		30 - 27	6K5-15761-00	1 - 14	61A-24564-00	6 - 10	6H3-42191-01	15 - 41	663-43116-01	17 - 13
6H3-11633-00	3 - 39	679-14555-00	5 - 26	6K5-15762-00	7 - 44		30 - 16	6H3-42192-00	15 - 43		19 - 12
688-11634-10	3 - 40	6H2-14578-00	5 - 31	663-15764-00	7 - 7	69D-24566-01	6 - 18	6H3-42510-02-4D	20 - 1	663-43118-01-4D	17 - 15
6K5-11635-03	3 - 37	6H3-14578-00	5 - 32	6K5-15770-01	7 - 47	61A-24577-01	6 - 11	69D-42510-10-4D	20 - 1		19 - 14
6K5-11636-03	3 - 37	6H3-14590-01	5 - 8	6K5-15771-00-94	7 - 33	6YJ-24610-01	25 - 2	69D-42515-00	15 - 51	688-43124-02	18 - 5
6K5-11651-00	3 - 11		30 - 23	6K5-15772-00-94	7 - 36	692-26301-03	15 - 19	663-42518-00	15 - 47	6E5-43126-02	17 - 38
	3 - 18	6K5-14592-00	5 - 27	6K5-15773-01	7 - 39	6A1-28176-00	14 - 36	67G-42528-00	15 - 48	69D-43126-00	19 - 40
	3 - 25	6H3-14711-00-5B	21 - 14	648-15773-00	7 - 3	6H3-41111-01-1S	2 - 35	624-42542-00	7 - 42	63D-43128-01-4D	19 - 15
6K5-11681-00	3 - 12	6H3-14711-10-5B	21 - 14	6K5-15774-00	7 - 59	6H3-41112-A0	2 - 36	69D-42610-H0-4D	1 - 1	688-43128-01-4D	18 - 1
	3 - 19	6H3-14737-00	21 - 20	6F5-15779-02	7 - 25		30 - 6	6H3-42613-01-4D	1 - 10	697-43128-01-4D	18 - 1
	3 - 26	6H3-14737-10	21 - 20	697-15789-00	7 - 45	6H3-41113-02-1S	2 - 37	6H3-42615-00	1 - 13	63D-43131-01	19 - 19
6H3-12411-10	2 - 31	692-14923-00	5 - 25	663-15791-00	7 - 20	6H3-41114-A0	2 - 38	6H3-42647-00-94	1 - 2	688-43131-03	17 - 21

NUMERICAL INDEX
INDICE NUMERICO

PART NO. CODIGO NO.	REF. NO.	PART NO. CODIGO NO.	REF. NO.	PART NO. CODIGO NO.	REF. NO.	PART NO. CODIGO NO.	REF. NO.	PART NO. CODIGO NO.	REF. NO.	PART NO. CODIGO NO.	REF. NO.
6G5-43144-00	17 - 43	663-44173-00	15 - 33	6H3-45113-A0	21 - 7	688-45567-01-10	22 - 7	6H1-45631-01	22 - 41	703-48236-00	28 - 16
	19 - 50	6K5-44191-00	15 - 29		30 - 18		23 - 7	688-45631-01	23 - 40	703-48238-00	28 - 22
6E5-43145-01	26 - 9	688-44194-00	16 - 5	6H3-45114-A1	21 - 17	688-45567-01-12	22 - 7	688-45633-00	22 - 52	703-48243-00	28 - 15
6G5-43145-01	17 - 25	688-44311-01	22 - 22		31 - 2		23 - 7		23 - 45	703-48244-00	28 - 21
	19 - 23		23 - 21	6H3-45123-00	21 - 16	688-45567-01-15	22 - 7	6H1-45634-02	22 - 43	703-48245-00	28 - 11
6G5-43148-00	17 - 29	688-44315-A0	22 - 24		31 - 3		23 - 7	688-45634-00	23 - 41	703-48246-00	28 - 23
	19 - 28		23 - 23	6H3-45127-00	21 - 15	688-45567-01-18	22 - 7	6H1-45635-00	22 - 47	701-48248-00	28 - 13
688-43160-01	17 - 34		31 - 7	6H3-45155-00	21 - 3		23 - 7	688-45635-00	23 - 43	703-48252-00	28 - 12
	19 - 31		31 - 18	688-45211-01-4D	21 - 21	688-45567-01-30	22 - 7	6H1-45641-01	22 - 53	703-48261-11	28 - 2
697-43160-00	17 - 34	688-44316-A0	22 - 30	696-45211-01-4D	21 - 21		23 - 7	6H1-45668-00	22 - 46	703-48264-00	28 - 6
688-43165-00	17 - 35		23 - 29	6H1-45214-00	22 - 12	688-45567-01-40	22 - 7	688-45930-02-98	24 - 18	703-48265-00	28 - 9
	19 - 32		31 - 9		23 - 12		23 - 7	688-45932-60-98	24 - 18	703-48268-00	28 - 5
688-43170-04-4D	18 - 2		31 - 21	6H1-45215-00	22 - 13	688-45567-01-50	22 - 7	6E5-45941-00-EL	24 - 18	703-48271-00	28 - 59
69D-43170-10-4D	19 - 35	69D-44322-00	22 - 23		23 - 13		23 - 7	6E5-45943-00-EL	24 - 18	703-48281-00	28 - 30
697-43170-03-4D	18 - 2		23 - 22	6H1-45251-03	17 - 2	6H3-45571-00	22 - 59	6E5-45945-01-EL	24 - 18	703-48282-00	28 - 31
6H5-43181-03	19 - 24		31 - 16	63D-45251-00	19 - 2	6K5-45571-00	23 - 50	6E5-45947-00-EL	24 - 18	703-48284-00	28 - 51
688-43181-04	17 - 26	688-44323-40	22 - 31	663-45251-00	17 - 2	688-45576-00	22 - 63	6E5-45949-00-EL	24 - 18	701-48287-00	28 - 41
688-43181-10	17 - 26		23 - 30		19 - 38		23 - 54	6E5-45952-00-EL	24 - 18	703-48291-10	28 - 38
6H5-43185-03	19 - 25		31 - 19	69D-45300-00-4D	22 - 1	688-45577-01-10	22 - 62	6E5-45954-00-EL	24 - 18	703-48293-10	28 - 40
688-43185-04	17 - 27	688-44324-A0	22 - 32	69D-45300-10-4D	22 - 1		23 - 53	6E5-45956-00-EL	24 - 18	701-48320-20	27 - 2
688-43185-10	17 - 27		23 - 31	69D-45300-20-4D	22 - 1	688-45577-01-12	22 - 62	688-45970-03-98	24 - 18	701-48320-50	27 - 2
688-43186-00	18 - 10		31 - 8	69D-45300-40-4D	23 - 1		23 - 53	688-45972-02-98	24 - 18	700-48339-00	15 - 44
6H1-43311-01-4D	17 - 18		31 - 20	6H1-45301-03-4D	22 - 2	688-45577-01-15	22 - 62	688-45974-02-98	24 - 18	663-48344-00	16 - 17
69D-43311-11-4D	19 - 16	688-44341-01-94	22 - 27	688-45311-06-4D	23 - 2		23 - 53	688-45976-01-98	24 - 18		16 - 40
697-43311-03-4D	17 - 18		23 - 26	688-45321-00	22 - 16	688-45577-01-18	22 - 62	688-45978-60-98	24 - 18	703-48345-01	28 - 19
663-43318-00	17 - 33	688-44352-03	22 - 25		23 - 16		23 - 53	688-45987-01	24 - 13	703-48358-00	28 - 20
682-43318-01	18 - 9		23 - 24	688-45331-00-94	22 - 60	688-45577-01-30	22 - 62	688-45997-01	24 - 14	6H3-48511-51-4D	20 - 24
	19 - 48		31 - 17		23 - 51		23 - 53	703-48152-00	28 - 56	6H3-48538-00	16 - 41
688-43616-00	18 - 13	69D-44361-00	24 - 2	688-45341-10	22 - 10	688-45577-01-40	22 - 62	703-48153-00	28 - 3	688-61350-10	26 - 1
688-43631-00	18 - 3	69D-44361-10	24 - 2		23 - 10		23 - 53	703-48189-00	28 - 17	688-61351-10	26 - 2
688-43631-10	18 - 3	69D-44361-20	24 - 2	688-45371-02	24 - 8	688-45577-01-50	22 - 62	703-48198-00	28 - 14	6E5-61355-00	26 - 8
69D-43631-00	19 - 36	663-44366-00	24 - 10	688-45375-00	24 - 7		23 - 53	703-48211-01	28 - 60	6K5-81332-00	8 - 18
688-43651-00	18 - 15		31 - 14	663-45376-00-94	24 - 6	688-45587-01-10	22 - 5	703-48212-00	28 - 57	6K5-81332-60	8 - 18
63D-43691-00	17 - 20	663-44367-00	24 - 1	6J8-45378-00	22 - 21		23 - 5	703-48213-00	28 - 58	6H3-81800-11	13 - 1
	19 - 18	69D-44391-00	14 - 2	688-45383-02	22 - 68	688-45587-01-12	22 - 5	703-48215-00	28 - 42	6H3-81807-10	13 - 3
697-44113-00	15 - 28	688-44511-00-94	20 - 32		23 - 59		23 - 5	703-48219-00	28 - 29	689-81809-11	13 - 7
6H3-44117-00-94	16 - 30	688-44514-00-94	20 - 25	688-45384-00	22 - 69	688-45587-01-15	22 - 5	703-48221-00	28 - 55	6H3-81810-10	13 - 9
6J2-44117-01-94	16 - 30	6H1-44526-00	17 - 3		23 - 60		23 - 5	703-48222-00	28 - 26	689-81811-11	13 - 12
6K5-44120-01	16 - 26	6H3-44551-01-4D	20 - 7	69D-45501-00	22 - 36	688-45587-01-18	22 - 5	703-48223-00	28 - 27	689-81812-11	13 - 11
6K5-44120-11	16 - 26	69D-44551-10-4D	20 - 7	69D-45501-10	22 - 36		23 - 5	703-48224-00	28 - 54	689-81813-10	13 - 13
69D-44120-20	16 - 26	6H3-44552-03-94	20 - 16		23 - 35	688-45587-01-30	22 - 5	703-48225-00	28 - 28	6H3-81820-11	13 - 14
6H3-44121-01	16 - 36	6H3-44553-01-4D	20 - 21	69D-45501-20	22 - 36		23 - 5	703-48226-00	28 - 25	689-81826-10	13 - 15
688-44122-00	16 - 39	687-44555-00-94	20 - 9	688-45536-01	22 - 4	688-45587-01-40	22 - 5	703-48227-00	28 - 24	6H3-81830-10	13 - 4
6H1-44144-00	22 - 55	688-44555-00-94	20 - 9		23 - 4		23 - 5	703-48227-00	28 - 24	689-81831-00	13 - 5
6K5-44144-00	23 - 47	663-44575-00	20 - 14	6K5-45551-00	22 - 37	688-45587-01-50	22 - 5	703-48230-15	27 - 1	689-81840-11	13 - 10
6H1-44151-00	22 - 54		20 - 31		23 - 36		23 - 5	703-48232-00	28 - 61	689-81847-11	13 - 6
663-44151-00	23 - 46	6H3-45111-01-4D	21 - 1	6K5-45560-00	22 - 39	6H1-45611-01	22 - 40	703-48234-00	28 - 18	689-81850-12	13 - 8
692-44159-01	15 - 32	6H3-45111-11-4D	21 - 1		23 - 38	688-45611-00	23 - 39	703-48235-00	28 - 4	689-81857-11	13 - 2

NUMERICAL INDEX
INDICE NUMERICO

PART NO. CODIGO NO.	REF. NO.	PART NO. CODIGO NO.	REF. NO.	PART NO. CODIGO NO.	REF. NO.	PART NO. CODIGO NO.	REF. NO.	PART NO. CODIGO NO.	REF. NO.	PART NO. CODIGO NO.	REF. NO.
6H3-81916-00	9-22	703-82591-00	28-52	90119-08MA5	2-28	90201-10120	15-37	90340-08002	23-9	90445-11M05	25-11
6H3-81922-00	9-10	703-82592-00	28-53	90119-08M13	22-35	90201-11M22	20-29	90340-14M00	2-22	90445-11M06	25-9
688-81950-10	10-6	688-82594-00	10-13		23-34	90201-12M16	20-10	90385-12M04	7-31	90446-10M02	9-33
	11-5		11-15		31-24	90201-12M34	15-40	90386-06088	15-42	90464-04M12	9-15
6G1-81970-61	10-1	703-83383-02	28-50	90119-08M16	22-34	90201-12426	17-47	90386-07M58	16-33	90464-07M05	2-15
	11-1	6Y5-83514-00	29-6		23-33		19-54	90386-08032	15-9	90464-07M10	9-21
6H3-82105-01	10-11	6Y5-83517-00	29-3		31-23	90201-12537	15-25	90386-10M16	17-28	90464-08M07	9-19
	11-10	6Y5-83523-00	29-5	90119-08M28	7-29	90201-13M19	20-12		19-26		15-63
6H3-82117-00	10-12	6Y5-83536-10	29-4	90119-08M32	7-30	90201-17M00	24-15	90386-10009	15-36	90464-10M59	6-6
	11-11	6Y5-83540-14	29-2	90119-08M64	2-8	90201-20M21	20-27	90386-10025	19-27	90464-12M17	9-20
703-82119-00	14-25	6Y5-83553-00	29-9	90119-08M79	21-8	90201-20417	3-42	90386-12089	15-23	90464-15M11	10-10
688-82127-02	20-23	6H4-85411-00	9-4	90119-08M81	21-4	90201-21M18	8-11	90386-13M38	14-5		11-9
697-82127-01	20-23	6H4-85415-00	9-5	90119-08M85	21-24	90201-22M03	19-21	90386-18M21	17-39	90465-06M90	7-61
6E5-82148-00	17-10	6H3-85510-A1	8-2	90119-08M86	21-24	90201-22M67	17-23		18-6		9-29
6H1-82148-00	9-5	663-85518-00	8-4	90119-10005	2-7	90201-30M00	20-2	90386-18M35	17-40	90465-08M83	6-25
63D-82148-00	19-9	6H3-85520-00	8-3	90149-05M13	15-6	90202-03M51	18-14		18-8	90465-11M10	6-5
1E6-82151-00	29-10	6H3-85533-A0	8-6	90149-05095	7-54	90202-07M07	16-38	90386-18M44	19-45		6-24
6G1-82151-00	10-2	6H3-85540-11	9-16	90151-05M00	22-14	90202-12060	24-3	90386-18M63	18-7	90465-18147	11-22
	11-2	6H3-85542-00-94	9-6		23-14	90202-12092	15-24	90386-22M15	17-22	90467-06016	2-10
6H3-82164-00	10-9	6K5-85550-A0	8-1	90152-06M01	17-5	90202-20M06	20-28		19-20		2-14
	11-8	6K5-85550-10	8-1	90157-06M13	16-3	90202-25M04	20-11	90386-30M60	20-6	90467-08004	2-41
6A0-82317-00	7-41	6H3-85570-10	9-25	90170-09M03	26-5	90206-10M04	16-23	90386-30M77	20-4		6-42
6G1-82370-01	9-28	6H3-86110-02	11-16	90170-16M01	22-38	90206-12054	15-26	90386-30M78	20-3		6-47
663-82370-21	9-28	6H3-86116-00	11-17		23-37	90206-13M10	14-6	90387-06M43	9-8	90468-18008	7-56
6H3-82510-02	12-1	90101-06M27	15-57	90170-18M10	19-47	90209-06M05	4-22	90387-06M59	16-12		16-18
703-82510-33	28-43	90101-08002	2-21	90170-20137	8-10	90209-27M11	3-13	90387-06M60	16-6		16-37
697-8252E-01-4D	12-10	90101-10M49	20-26	90171-16011	24-16		3-20		16-24	90480-09M12	14-20
697-8252F-01-4D	12-11	90101-12M06	15-21	90175-06003	15-50		3-27	90387-06M69	14-21	90480-13M24	9-9
6K5-82531-00	9-3	90101-12M65	17-45		15-59	90243-04007	17-14	90387-08M05	7-32	90480-19M06	24-11
703-82531-00	28-45		19-52	90179-06066	20-20		19-13	90387-10M02	17-32	90501-10M21	17-30
6H3-82540-00	12-5	90105-06M14	9-7	90179-08M34	2-30	90249-06M19	17-31	90387-10M38	17-31	90501-10326	5-30
703-82540-00	28-49	90105-10M67	24-9	90183-02M03	22-50		19-30	90387-10M42	26-6	90501-12M48	22-48
6H3-82554-00	12-6	90109-12M21	20-13	90185-05002	22-15	90250-07M02	22-51	90387-12M30	15-39	90501-12082	16-29
663-82555-01	12-7	90116-06M07	9-11		23-15		23-44	90387-16003	19-41	90501-14M08	20-19
682-82556-00	12-4	90116-08M69	2-29	90185-08057	15-53	90254-03002	3-35	90387-16004	19-42	90501-16M17	15-34
	15-61	90116-10M05	21-23	90185-09M01	26-4	90254-03003	15-12	90430-08020	22-11	90501-16M65	22-44
	28-47	90116-10M28	20-35	90185-10051	15-38	90266-06009	1-9		23-11	90501-16233	23-42
688-82560-10	9-32	90116-10M31	21-23		20-30	90269-02M09	15-5		31-4	90501-23215	15-8
6E3-8257H-00	14-37	90116-18M52	19-44	90185-12058	15-27	90269-04M03	14-8	90430-12072	24-4	90502-16M02	17-37
689-8257Y-00	15-62	90119-06MA3	2-34	90185-22058	15-27	90280-04M04	22-26		31-13		19-34
6K5-82575-03	15-60		4-9	90185-22M11	19-22		23-25	90430-14115	2-23	90502-20M03	17-37
688-82575-01	12-3	90119-06MA5	2-39	90185-22043	17-24		31-25		30-3	90506-08M23	7-51
	28-46	90119-06M09	14-11	90201-03313	22-49	90280-05015	8-9	90445-07M02	2-11	90506-14M24	17-42
676-82577-00	12-2	90119-06M29	17-4	90201-05652	5-28	90282-04010	22-67	90445-07M44	2-9		19-49
703-82577-00	28-44	90119-06M61	14-22	90201-06M31	16-9		23-58	90445-07M45	2-12	90508-12015	7-53
688-82586-21	28-48	90119-06M65	7-43	90201-06068	6-17	90338-05M03	14-26	90445-07M82	2-13	90508-29M19	16-10
6H3-82590-01	11-12	90119-06M91	16-13	90201-10M20	26-3		14-27	90445-09072	6-41	91490-16012	7-58
6K5-82590-00	10-5	90119-06023	2-19	90201-10M63	26-7	90340-08002	22-9	90445-09220	6-45	91490-20012	16-35

NUMERICAL INDEX
INDICE NUMERICO

PART NO. CODIGO NO.	REF. NO.	PART NO. CODIGO NO.	REF. NO.	PART NO. CODIGO NO.	REF. NO.	PART NO. CODIGO NO.	REF. NO.	PART NO. CODIGO NO.	REF. NO.	PART NO. CODIGO NO.	REF. NO.
91490-25012	15 - 46	92990-10600	21 - 27	93106-18M01	30 - 11	93450-07M00	22 - 58	97013-08035	13 - 16	97885-06012	8 - 14
91490-30025	17 - 32	92990-12200	15 - 22	93210-03261	11 - 21	93501-04M02	16 - 28	97075-08025	20 - 17		9 - 23
91490-40025	24 - 17	92995-06100	1 - 7	93210-04228	5 - 34	93503-16003	22 - 45	97075-08030	21 - 12		12 - 8
91690-30010	11 - 18		6 - 16	93210-04230	5 - 18	93515-32M01	15 - 35		21 - 18	97885-06016	20 - 22
91690-30012	17 - 36		12 - 9		30 - 30	93603-12M11	22 - 42	97075-08035	20 - 33	97885-06045	4 - 21
	19 - 33		17 - 7	93210-07003	22 - 56	93603-18M09	3 - 41		21 - 9	97902-05125	8 - 5
91690-30020	17 - 30		19 - 4		23 - 48	93604-10M03	22 - 33	97080-06010	18 - 4	97980-04114	5 - 16
	18 - 11	92995-06600	1 - 8	93210-08287	25 - 14		23 - 32	97080-06035	15 - 49		30 - 29
	19 - 29		1 - 12		25 - 16	93606-12019	21 - 2	97095-06010	17 - 44	97980-05310	5 - 24
92903-06100	7 - 16		3 - 6	93210-15M52	5 - 33		21 - 6		19 - 6	98503-05028	6 - 33
	7 - 21		6 - 3		30 - 34		21 - 22		19 - 37	98580-03015	28 - 37
	9 - 31		6 - 20	93210-16275	26 - 10		24 - 5		19 - 51	98580-04006	28 - 35
	12 - 15		6 - 22	93210-29M94	20 - 5	93608-12063	2 - 6	97095-06012	7 - 48	98580-04008	5 - 11
	12 - 17		6 - 40	93210-46M16	3 - 36	93700-06M03	15 - 16	97095-06014	6 - 19	98580-04010	28 - 34
	15 - 31		7 - 49		30 - 9		17 - 19	97095-06016	1 - 6	98580-05010	28 - 36
92903-06200	7 - 57		8 - 15	93210-46044	22 - 29		19 - 17		1 - 11	98586-05016	25 - 4
92903-06600	7 - 35		8 - 20		23 - 28	94702-00160	2 - 42		6 - 15	98680-06525	19 - 39
	7 - 38		9 - 24		31 - 10	94702-00247	2 - 42		6 - 21	99001-08600	22 - 57
	8 - 8		14 - 18		31 - 22	95380-03600	6 - 30		14 - 17		23 - 49
	9 - 2		14 - 31	93210-49046	22 - 17	95380-05600	16 - 16		17 - 6		
	9 - 27		14 - 33		23 - 17		16 - 21		22 - 19		
	10 - 8		17 - 8		31 - 5		28 - 7		23 - 19		
	11 - 7		19 - 7	93210-65M50	3 - 4		29 - 7	97095-06020	3 - 5		
	11 - 14		22 - 20		30 - 12	95380-06600	16 - 4		14 - 32		
	11 - 20		23 - 20	93210-85M97	22 - 64		28 - 39	97095-06025	6 - 2		
	13 - 19	92995-08100	20 - 18		23 - 55	95380-06700	9 - 12		14 - 30		
	16 - 32		20 - 34		31 - 11	95380-10600	21 - 25		16 - 7		
92903-08100	7 - 27		21 - 10	93306-207U0	22 - 61	95380-12600	17 - 48		16 - 25		
92903-08600	7 - 28		21 - 13		23 - 52		19 - 55		19 - 3		
	13 - 17		21 - 19	93306-306V1	3 - 33	95380-12800	20 - 15	97095-06040	6 - 39		
	13 - 21	92995-08600	15 - 55	93310-527W1	3 - 14	97013-06012	7 - 60	97095-06095	4 - 10		
92903-10600	15 - 7	92995-10100	17 - 17		3 - 21		9 - 1	97095-08030	15 - 54		
92990-05100	6 - 34	92995-12200	17 - 46		3 - 28		9 - 30	97095-10045	17 - 16		
	29 - 8		19 - 53	93311-636U6	3 - 29		11 - 13	97303-06016	7 - 17		
92990-05600	4 - 4	92995-18600	19 - 46	93315-325V1	22 - 3	97013-06016	10 - 7	97303-06025	7 - 22		
	10 - 4	93101-25M03	22 - 28		23 - 3		11 - 6	97380-05025	28 - 8		
	11 - 4		22 - 66	93317-325U0	22 - 65		11 - 19	97380-08030	28 - 32		
92990-06100	9 - 14		23 - 27		23 - 56		15 - 30	97780-40512	24 - 12		
	12 - 13		23 - 57	93332-000UE	3 - 32	97013-06020	12 - 16	97880-05016	4 - 3		
92990-06200	9 - 13		31 - 12	93332-000U3	22 - 6		16 - 31	97880-05025	10 - 3		
92990-06600	9 - 18	93102-30M23	3 - 2		23 - 6	97013-06025	7 - 34		11 - 3		
	15 - 45		30 - 10	93332-000W7	22 - 8		9 - 26	97880-06012	17 - 11		
	15 - 58	93102-36M24	3 - 30		23 - 8		13 - 18	97880-06025	9 - 17		
92990-08200	16 - 34		30 - 8	93410-16006	19 - 43	97013-06030	8 - 7		12 - 12		
92990-08600	15 - 52	93106-09014	22 - 18	93410-18M02	17 - 41		12 - 14	97885-05012	15 - 18		
	28 - 33		23 - 18	93410-28M06	20 - 8	97013-06055	7 - 37	97885-06008	15 - 17		
92990-10100	21 - 26		31 - 6	93430-06024	28 - 10	97013-08012	7 - 26		19 - 10		
92990-10600	17 - 29	93106-18M01	3 - 3	93440-49M04	3 - 31	97013-08016	13 - 20	97885-06010	8 - 19		

E60H
PARTS CATALOGUE
©2002 by Yamaha Motor Co., Ltd.
1st Edition, Aug. 2002
All rights reserved.
Any reprinting or unauthorized use
without the written permission of
Yamaha Motor Co., Ltd.
is expressly prohibited.

E60H
CATALOGO DE REPUESTOS
©2002, Yamaha Motor Co., Ltd.
1ª edición, Ag. 2002
Reservados todos los derechos.
Se prohíbe expresamente toda reimpresión
o utilización no autorizada de este manual
sin el consentimiento por escrito de
Yamaha Motor Co., Ltd.