

**PARTS
CATALOGUE
CATALOGO
DE REPUESTOS**

E8DMH'03(6772)

2B677-200S1

YAMAHA
GENUINE
Parts & Accessories

A1

FOREWORD

This Parts Catalogue is related to the parts for the model(s) in the below frame. When you are ordering replacement parts, please refer to this Parts Catalogue and quote both part numbers and part names correctly.

E8DMH'03(6772)

1. Modifications or additions which have been made after issue of the Parts Catalogue will be announced in the Yamaha Parts News.
It is advisable that you make necessary corrections to the Parts Catalogue according to the Yamaha Parts News.

2. Abbreviations

The Following abbreviations are used in this Parts Catalogue.

“UR” Use specified parts number.

“UN” Use as many as needed.

“AP” Alternate Parts

“LM” Local Made
(Parts need to be ordered locally)

“O/S” Over Size

3. Parts, which are to be supplied in an assembly, are listed with a dot(.) in front of the part name as shown below.

EXAMPLE

CARBURETOR ASSY

.JET, PILOT

.NOZZLE, MAIN

4. Number of component for assembly

The numeral appearing to the right of each component part indicates the quantity of parts for each assembly unit.

EXAMPLE

PART NO.	DESCRIPTION	u	u	u	u	REMARKS
6E0-85500-70	C.D.I. MAGNETO ASSY	1				
6E0-85550-70	.ROTOR ASSY	1				
6E0-15723-00-94..	PULLY, STARTER	1				

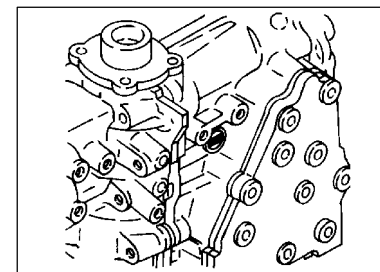
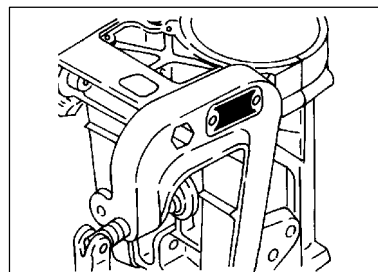
5. Quantity Column Information

NAME for Q'TY COLUMN	APPLICABLE MODEL
E8D	E8DMH

6. Applicable Starting Serial No. and Color Code

1) Engine Starting Serial No.

E8DMH S/L/X 677K : 1000001



2) Color Code

Color Code	Color Name	Abbreviation
004D	DARK BLUISH GRAY METALLIC 2	DBNM2

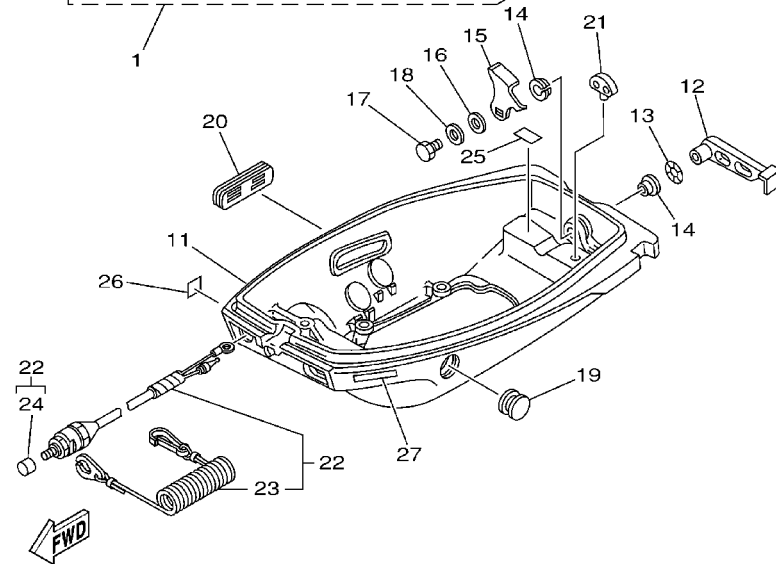
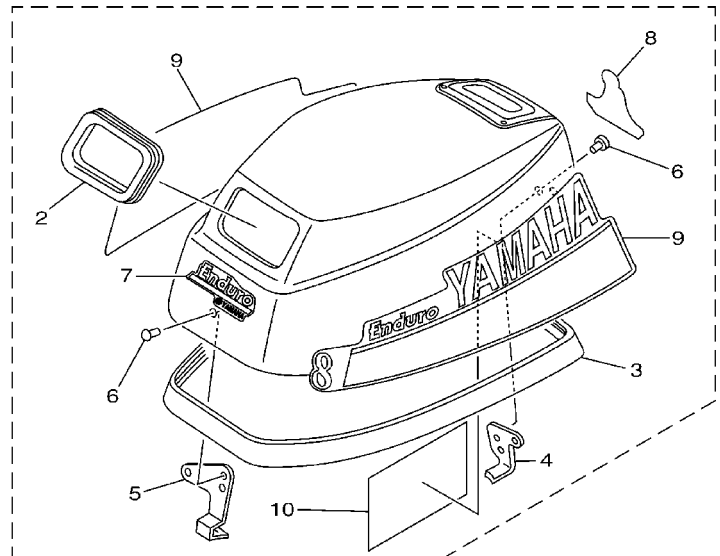
7. Note that the illustrations for reference in finding parts numbers, not to be used for assembling. When assembling, please use the applicable service manual.
8. The asterisk (*) before a reference number indicates modification items after the first edition.

CONTENTS

TOP COWLING	A4
CYLINDER. CRANKCASE	A6
CRANKSHAFT. PISTON	B1
INTAKE	B2
CARBURETOR	B3
FUEL	B5
STARTER	B6
GENERATOR	C1
ELECTRICAL	C2
CONTROL	C3
REMOTE CONTROL ATTACHMENT	C6
BRACKET	C7
UPPER CASING	D3
LOWER CASING. DRIVE 1	D4
LOWER CASING. DRIVE 2	D7
FUEL TANK	E1
OPTIONAL PARTS	E2
REPAIR KIT 1	E3
REPAIR KIT 2	E4
INDEX	
NUMERICAL INDEX	E6

FIG. 1 TOP COWLING

SOPORTE SUPERIOR

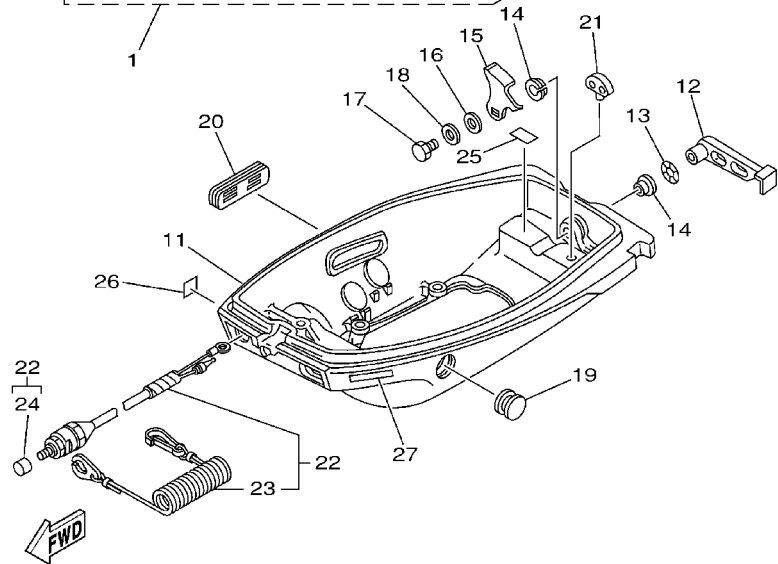
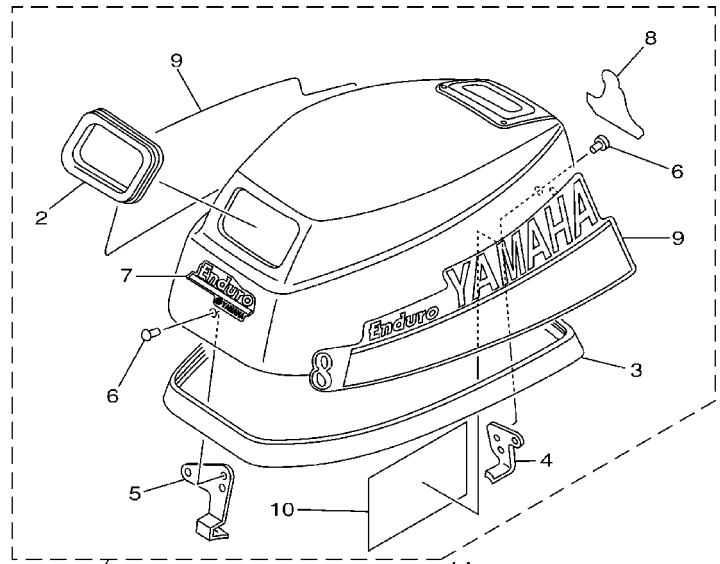


6771200-2010

REF. NO.	PART NO. CODIGO NO.	DESCRIPTION DESCRIPTION	E80				REMARKS OBSERVACION
1	677-42610-J0-4D	TOP COWLING ASSY SOPORTE SUPERIOR COMPL.	1				
2	677-15761-01	.SEAL, RUBBER 1 .SELLO DE GOMA 1	1				
3	6G1-42615-00	.SEAL .SELLO	1				
4	677-42647-00	.HOLDER, CLAMP BAND .MORDAZA DE ABRAZADERA	1				
5	677-42651-02	.HOOK .GANCHO	1				
6	90266-04M04	.RIVET .REMACHE	4				
7	677-42677-J0	.GRAPHIC, FRONT .CALCAMONIA FRONTAL	1				
8	677-42678-H0	.GRAPHIC, REAR .CALCAMONIA TRASERA	1				
9	677-W0070-H0	.GRAPHIC SET .JUEGO DE EMBLEMA	1				
10	677-13437-08	.MARK, CAUTION .MARKER	1				
11	677-42711-73-4D	COWLING, BOTTOM CUBIERTA INFERIOR	1				
12	677-42815-00-4D	LEVER, CLAMP PALANCA ABRAZADERA	1				
13	90206-12052	WASHER, WAVE ARANDELA ONDULADA	1				
14	90386-12069	BUSH BUJE	2				
15	656-42816-00	LEVER, CLAMP PALANCA ABRAZADERA	1				
16	90201-06068	WASHER, PLATE ARANDELA PLANA	1				
17	97095-06012	BOLT PERNO	1				
18	92995-06600	WASHER ARANDELA	1				
19	677-42724-00	GROMMET TAPON	1				
20	677-42725-00	GROMMET TAPON	1				
21	606-42591-00	HOLDER, SHEAR PIN SUJETADOR, PASADOR DE HELICE	1				
22	677-82575-20	ENGINE STOP SWITCH ASSY INTERRUPTOR DE PARADA COMPL	1				
23	682-82556-00	.STOPPER .RETENER	1				
24	689-8257Y-00	.CAP .CASQUILLO	1				
25	6E7-42791-00	MARK 1 MARCA 1	1				
25	6E7-42791-10	MARK 1 MARCA 1	1				FOR CARIB, CHINA
26	6A1-28176-00	LABEL, CAUTION ETIQUETA DE PRECAUCION	1				FOR CARIB

FIG. 1 TOP COWLING

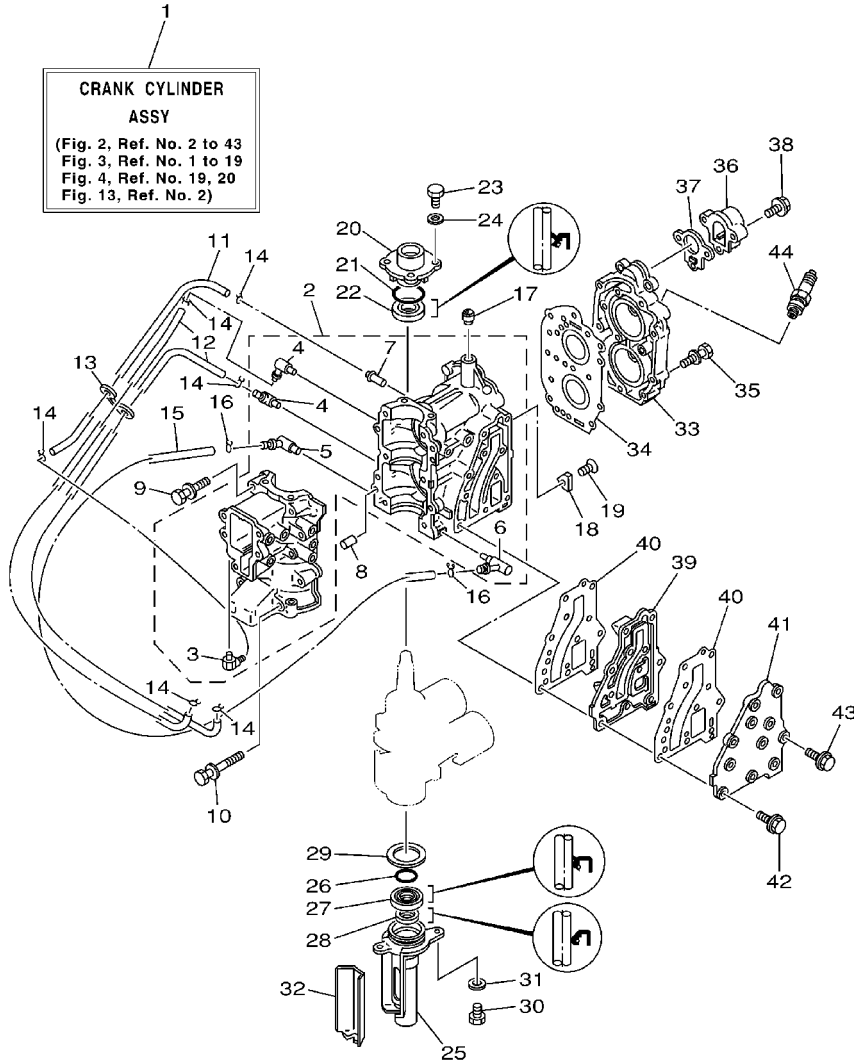
SOPORTE SUPERIOR



6771200-2010

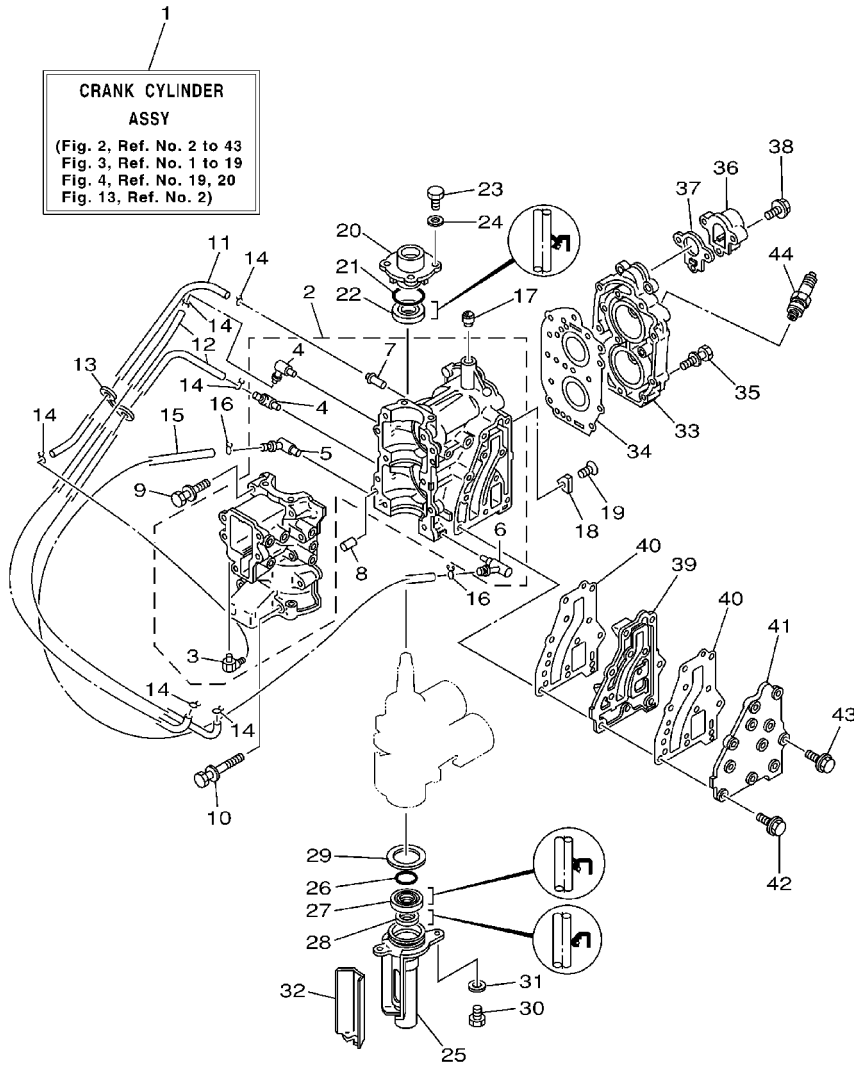
REF. NO.	PART NO. CODIGO NO.	DESCRIPTION DESCRIPTION	E80				REMARKS OBSERVACION
27	6E3-8257H-00	PLATE, MARK PLACA DE MARCA	1				FOR CARIB

FIG. 2 CYLINDER. CRANKCASE CYLINDRO. CARTER



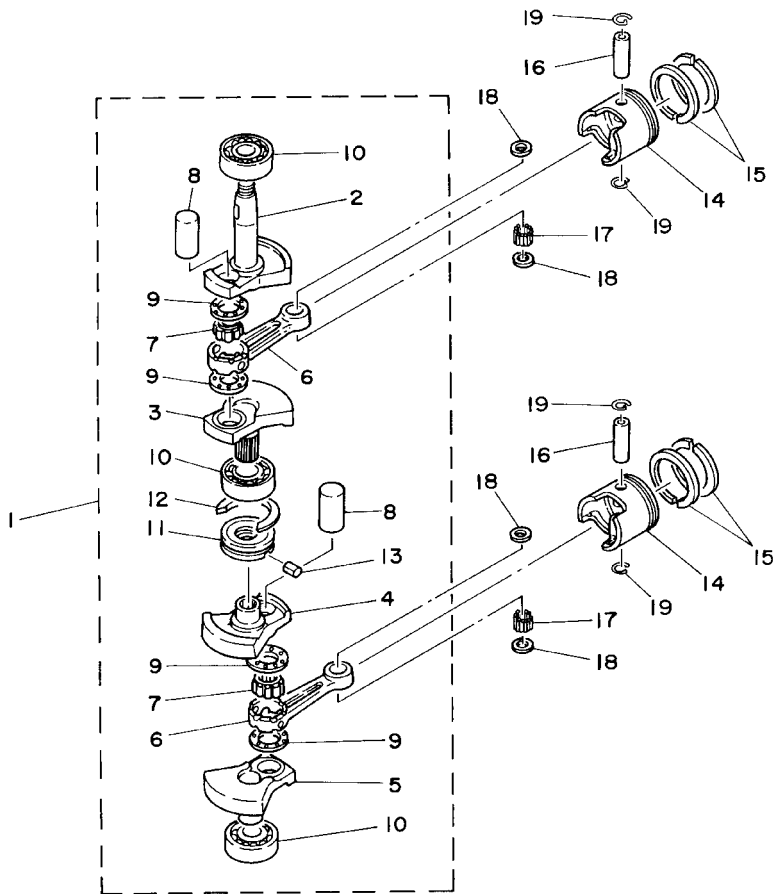
REF. NO.	PART NO. CODIGO NO.	DESCRIPTION DESCRIPTION	E80				REMARKS OBSERVACION
1	677-W0090-06-1S	CRANK CYLINDER ASSY BLOQUE MOTOR COMPLETO	1				
2	677-15100-02-1S	CRANKCASE ASSY CARTER COMPLETO	1				
3	650-11370-01	.CHECK VALVE ASSY .VALVULA DE CONTROL COMPL.	1				
4	646-11370-01	.CHECK VALVE ASSY .VALVULA DE CONTROL COMPL.	2				
5	677-11372-00	.NIPPLE, HOSE .NIPLE DE MANGUERA	1				
6	676-11372-00	.NIPPLE, HOSE .NIPLE DE MANGUERA	1				
7	624-14485-00	.PIPE, JOINT .TUBO DE UNION	1				
8	93605-08041	PIN, DOWEL PASADOR DE CLAVIJA	2				
9	90119-06M15	BOLT, WITH WASHER TORNILLO CON ARANDELA	8				
10	90119-06M16	BOLT, WITH WASHER TORNILLO CON ARANDELA	2				
11	90445-07M02	HOSE (L167) TUBO (L167)	1				
12	90445-07258	HOSE (L200) TUBO (L200)	2				
13	90464-07015	CLAMP BRIDA	1				
14	90467-06016	CLIP PRESILLA	6				
15	90445-10M03	HOSE (L240) TUBO (L240)	1				
16	90467-09M09	CLIP PRESILLA	2				
17	99530-10014	PIN, DOWEL PASADOR, DE CLAVIJA	1				
18	664-11325-00	ANODE ANODO	1				
19	90151-06M01	SCREW, COUNTERSUNK TORNILLO EMBUTIDO	1				
20	677-15359-00-94	HOUSING, OIL SEAL CAJA DE SELLO DE ACEITE	1				
21	93210-42159	O-RING JUNTA TORICA	1				
22	93102-20M25	OIL SEAL RETEN DE ACEITE	1				
23	97095-06018	BOLT PERNO	4				
24	92995-06600	WASHER ARANDELA	4				
25	677-15396-01-5B	HOUSING, OIL SEAL CAJA DE SELLO DE ACEITE	1				
26	93210-42M70	O-RING JUNTA TORICA	1				
27	93101-20M29	OIL SEAL RETEN DE ACEITE	1				

FIG. 2 CYLINDER. CRANKCASE CYLINDRO. CARTER



REF. NO.	PART NO. CODIGO NO.	DESCRIPTION DESCRIPTION	E80				REMARKS OBSERVACION
28	93101-14M01	OIL SEAL RETEN DE ACEITE	1				
29	90201-41303	WASHER, PLATE ARANDELA PLANA	1				
30	97095-06016	BOLT PERNO	2				
31	92995-06600	WASHER ARANDELA	2				
32	677-15379-02	SEAL, CRANKCASE SELLO. DE CARTER	1				
33	677-11111-00-1S	HEAD, CYLINDER 1 CULATA CILINDRO 1	1				
34	677-11181-A1	GASKET, CYLINDER HEAD 1 JUNTA, DE CULATA 1	1				
35	90119-06048	BOLT, WITH WASHER TORNILLO CON ARANDELA	13				
36	677-12413-00-1S	COVER, THERMOSTAT CUBIERTA TERMOSTATO	1				
37	677-12414-A1	GASKET, COVER EMPAQUE	1				
38	90119-06MA3	BOLT, WITH WASHER TORNILLO CON ARANDELA	3				
39	677-41111-01-1S	INNER COVER, EXHAUST CUBIERTA INTERIOR DE ESCAPE	1				
40	677-41112-A1	GASKET, EXHAUST INNER COVER EMPAQUE	2				
41	677-41113-01-1S	OUTER COVER, EXHAUST CUBOERTA EXTERIOR DE ESCAPE	1				
42	90119-06MA4	BOLT, WITH WASHER TORNILLO CON ARANDELA	10				
43	90119-06023	BOLT, WITH WASHER TORNILLO CON ARANDELA	1				
44	94702-00217	PLUG, SPARK (NGK B7HS-10) BUJIA (NGK B7HS-10)	2				
	94702-00271	PLUG, SPARK (NGK BR7HS-10) BUJIA (NGK BR7HS-10)	2				FOR CARIB, CHINA

FWD
6771200-2020



6770010-4030

FIG. 3 CRANKSHAFT. PISTON

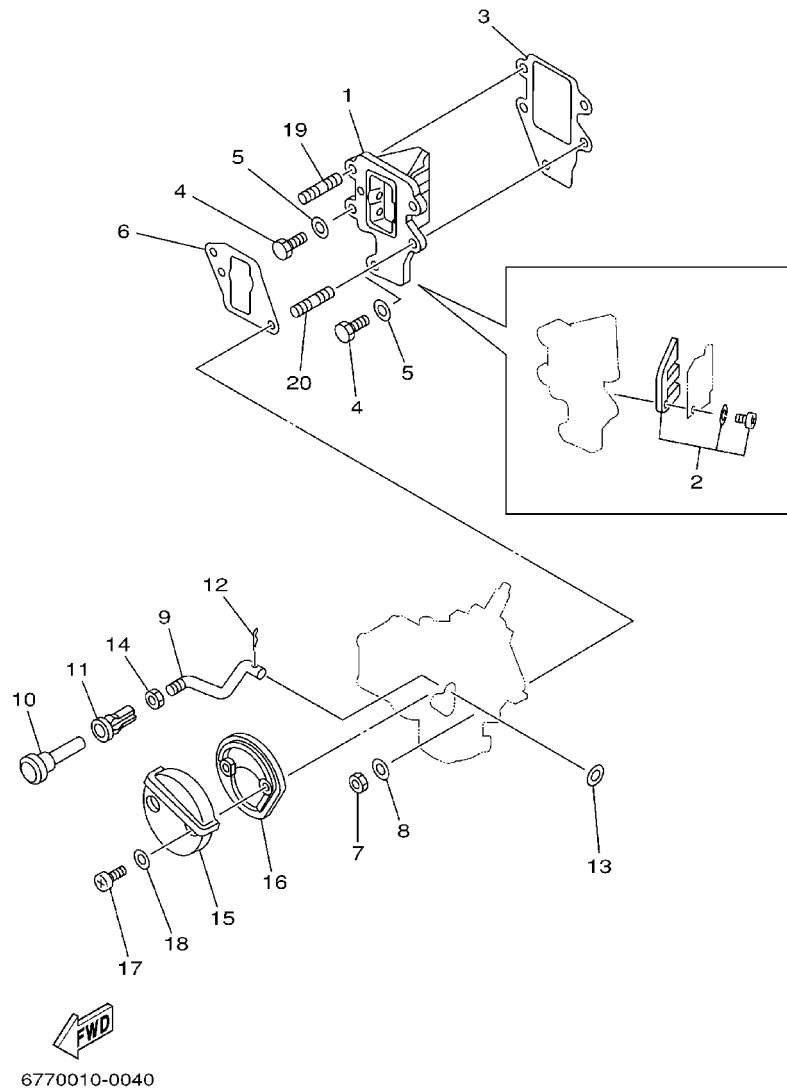
CIGUENAL. PISTON

REF. NO.	PART NO. CODIGO NO.	DESCRIPTION DESCRIPTION	E80			REMARKS OBSERVACION
1	677-11400-02	CRANKSHAFT ASSY CIGUENAL COMPLETO	1			
2	677-11412-02	.CRANK 1 .MANIVELA 1	1			
3	677-11422-02	.CRANK 2 .MANIVELA 2	1			
4	677-11432-02	.CRANK 3 .MANIVELA 3	1			
5	677-11442-02	.CRANK 4 .MANIVELA 4	1			
6	6E0-11651-01	.ROD, CONNECTING .BIELA	2			
7	93310-418U0	.BEARING .COJINETE DE RODILLOS	2			
8	6G1-11681-00	.PIN, CRANK 1 .PASADOR MANIVELA 1	2			
9	90209-18112	.WASHER .ARANDELA DE SEPARACION	4			
10	93306-204U0	.BEARING .COJINETE	3			
11	677-11515-01	.SEAL, LABYRINTH 1 .SELLO LABERINTO 1	1			
12	93440-47055	.CIRCLIP .SEGURO	1			
13	91690-30010	.PIN, SPRING .PASADOR DE RESORTE	1			
14	677-11631-00-97	PISTON (STD) PISTON (NORMA)	2			
	677-11635-00	PISTON (0.25MM O/S)	2			AP
	677-11636-00	PISTON (0.25MM O/S) PISTON (0.50MM O/S) PISTON (0.50MM O/S)	2			AP
15	647-11610-00	PISTON RING SET (STD) JUEGO DE AROS (NORMA)	2			
	647-11610-10	PISTON RING SET (0.25MM O/S) JUEGO DE AROS (0.25MM O/S)	2			AP
	647-11610-20	PISTON RING SET (0.50MM O/S) JUEGO DE AROS (0.50MM O/S)	2			AP
16	6G1-11633-00	PIN, PISTON PASADOR, PISTON	2			
17	93602-14118	PIN, DOWEL PASADOR DE CLAVIJA	56			
18	90201-12565	WASHER, PLATE ARANDELA PLANA	4			
19	93450-13022	CIRCLIP SEGURO	4			

B1

FIG. 4 INTAKE

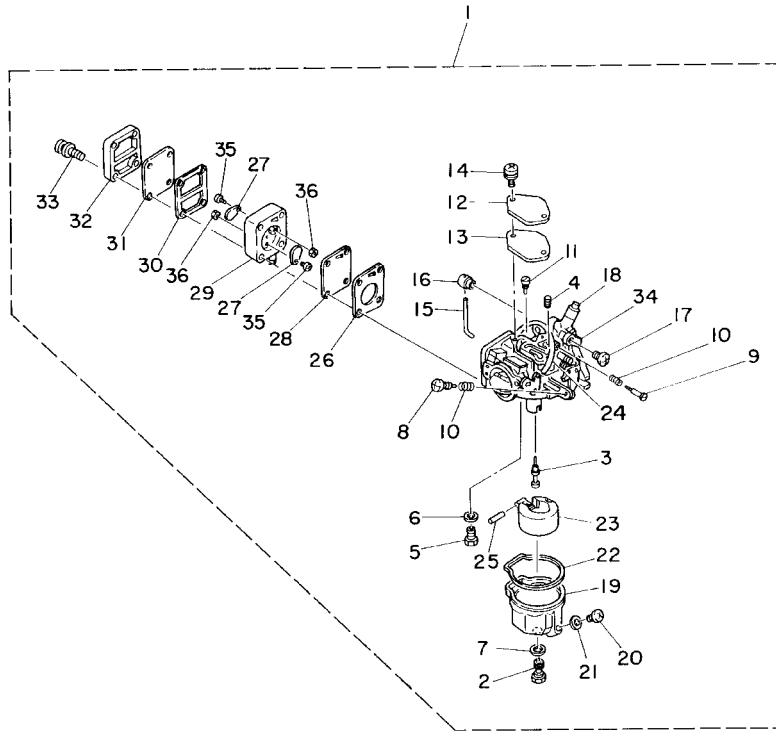
ADMISION



REF. NO.	PART NO. CODIGO NO.	DESCRIPTION DESCRIPTION	E80				REMARKS OBSERVACION
1	677-13610-00	REED VALVE ASSY VALVULA DE LAMINAS COMPLETA	1				
2	677-W0004-00	.REED SET .JUEGO DE VALVULAS DE LENGUETA	1				
3	677-13621-A1	GASKET, VALVE SEAT JUNTA, DE VALV.DE EMPAQUE	1				
4	97013-06018	BOLT PERNO	3				
5	92903-06600	WASHER, PLATE RONDANA, SENCILLA	3				
6	677-14198-A1	GASKET EMPAQUE	1				
7	95380-06700	NUT TUERCA	2				
8	92995-06600	WASHER ARANDELA	2				
9	677-41256-00	ROD, CHOKE 1 VARILLA DE AHOGADOR	1				
10	677-41271-00	KNOB, CHOKE PERILLA, AHOGADOR	1				
11	90480-14M02	GROMMET TAPON	1				
12	90468-10004	CLIP PRESILLA	1				
13	92990-04600	WASHER, PLATE ARANDELA PLANA	1				
14	95380-04700	NUT TUERCA	1				
15	677-14431-00	SILENCER, INTAKE 1 SILENCIADOR DE ADMISION	1				
16	677-14441-00	SILENCER, INTAKE 2 SILENCIADOR DE ADMISION 2	1				
17	97880-05020	SCREW, PAN HEAD TORNILLO DE CABEZA CON PLANA	2				
18	92990-05600	WASHER, PLATE ARANDELA PLANA	2				
19	95627-06325	BOLT, STUD PERNO DE PUNTAL	1				
20	90116-06M04	BOLT, STUD ESPARRAGO	1				

FIG. 5 CARBURETOR

CARBURADOR



REF. NO.	PART NO. CODIGO NO.	DESCRIPTION DESCRIPTION	E80				REMARKS OBSERVACION
1	677-14301-08	CARBURETOR ASSY 1 CARBURADOR COMPLETO 1	1				
2	677-14343-40	.JET, MAIN (# 80) .INYECTOR PRINCIPAL (# 80)	1				
3	677-14341-00	.NOZZLE, MAIN BOQUILLA PRINCIPAL	1				
4	647-14342-23	.JET, PILOT (# 46) .ESPREA DE PILOTO (# 46)	1				
5	6E8-14390-12	.NEEDLE VALVE ASSY .VALVULA DE AGUJA COMPLETA	1				
6	367-14195-00	.GASKET .ARANDELA DE VALVULA DE AGUJA	1				
7	1J2-14398-00	.GASKET .EMPAQUE	1				
8	648-14321-00	.SCREW, THROTTLE .TORNILLO DE OBTURADOR	1				
9	648-14323-00	.SCREW, AIR ADJUSTING .TORNILLO DE AJUSTE DE AIRE	1				
10	646-14212-01	.SPRING, PILOT ADJUSTING .RESORTE DE AJUSTE DE PILOTO	2				
11	647-14326-00	.SCREW, GUIDE .TORNILLO DE GUIA	1				
12	677-14157-01	.COVER, MIXING .CUBIERTA DE MEZCLA	1				
13	677-14227-01	.GASKET .EMPAQUE	1				
14	677-14325-00	.SCREW, PAN HEAD .TORNILLO CABEZA REDONDA	2				
15	677-41241-00	.ROD, LINK .VARILLA	1				
16	677-41226-00	.END, THROTTLE LEVER .PALANCA DE CONTROL DE ACELERA	1				
17	677-14327-00	.SCREW .TORNILLO	1				
18	626-42658-00	.BUSHING BUJE	1				
19	6E7-14381-00	.BODY, FLOAT CHAMBER CUERPO DE CAMARA DE BOIA	1				
20	97890-04005	.SCREW, PAN HEAD .TORNILLO	1				
21	655-14398-00	.GASKET .EMPAQUE	1				
22	677-14384-01	.GASKET, FLOAT CHAMBER .EMPAQUE DE CAMARA DE BOIA	1				
23	6E7-14385-00	.FLOAT .BOIA	1				
24	367-14396-00	.PIPE .TUBO	1				
25	647-14386-10	.PIN, FLOAT .PASADOR DE BOIA	1				
26	677-24434-02	.GASKET, BODY .EMPAQUE	1				
27	6A0-24421-01	.VALVE, CHECK .VALVULA DE RETENCION	2				



6770010-4050

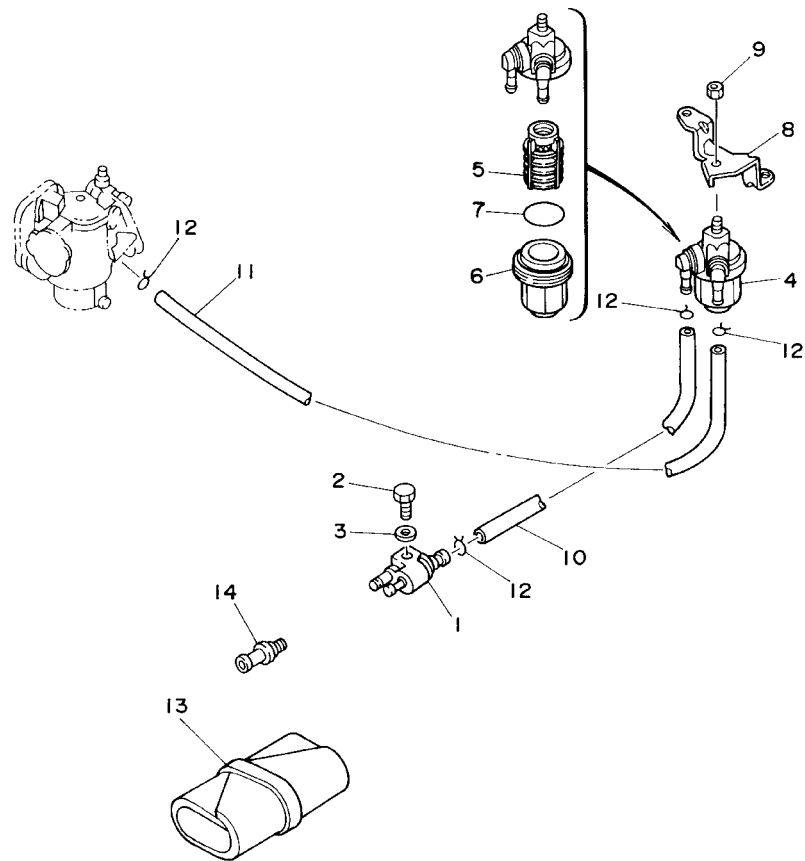


FIG. 6 FUEL

COMBUSTIBLE

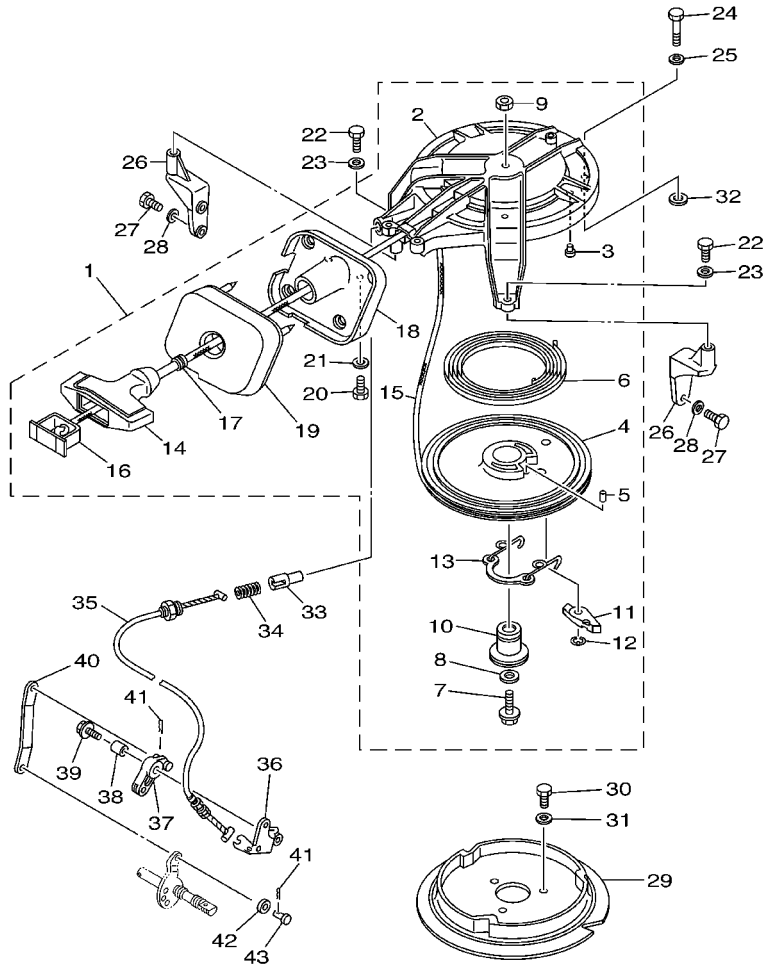
REF. NO.	PART NO. CODIGO NO.	DESCRIPTION DESCRIPTION	E80				REMARKS OBSERVACION
1	6G1-24304-02	FUEL PIPE JOINT COMP. 1 CONECTOR MANGUERA COMBUST.1	1				
2	97095-06020	BOLT PERNO	1				
3	92995-06600	WASHER ARANDELA	1				
4	61N-24560-00	FILTER ASSY FILTRO COMPLETO	1				
5	61N-24563-00	.ELEMENT, FILTER .ELEMENTO DEL FILTRO	1				
6	61N-24521-00	.CUP, FILTER .COPA DE FILTRO	1				
7	93210-32738	.O-RING .JUNTA TORICA	1				
8	6K3-24566-00	BRACKET, FILTER SOPORTE DEL FILTRO	1				
9	95380-08600	NUT TUERCA	1				
10	90445-09082	HOSE TUBO	1				
11	90445-09163	HOSE (L235) TUBO (L235)	1				
12	90467-08004	CLIP PRESILLA	4				
13	656-W2810-02	TOOL KIT JUEGO DE HERRAMIENTAS	1				
14	626-28193-01-94	PLUG, WATER CHECK TAPON DE CONTROL DE LA AGUA	1				AP D:15MM
	6E0-28193-00-94	PLUG, WATER CHECK TAPON DE CONTROL DE LA AGUA	1				AP D:12.5MM



6770010-4060

FIG. 7 STARTER

ARRANQUE



REF. NO.	PART NO. CODIGO NO.	DESCRIPTION DESCRIPTION	E80				REMARKS OBSERVACION
1	677-15710-05-94	STARTER ASSY ARRANQUE COMPLETO	1				
2	682-15711-71-94	.CASE, STARTER .CAJA DE ARRANQUE	1				
3	648-15773-00	.STAY 3 .SOPORTE 3	1				
4	677-15714-00-94	.DRUM, SHEAVE .TAMBOR ROLDANA	1				
5	91690-40020	.PIN, SPRING .PASADOR DE RESORTE	1				
6	90510-08M04	.SPRING, SPIRAL .RESORTE EN ESPIRAL	1				
7	90119-06M34	.BOLT, WITH WASHER .TORNILLO CON ARANDELA	1				
8	90201-06060	.WASHER, PLATE .ARANDELA PLANA	1				
9	95303-06600	.NUT .TUERCA	1				
10	677-15717-01	.SHAFT, STARTER .EJE DE ARRANQUE	1				
11	677-15741-01	.PAWL, DRIVE .TRINQUETE DE TRACCION	1				
12	93430-06M02	.CIRCLIP .SEGURO	1				
13	677-15705-02	.SPRING, DRIVE PAWL .RESORTE	1				
14	689-15755-01	.HANDLE, STARTER .MANIJA DE ARRANQUE	1				
15	*	.WIRE (L1650) .CABLE (L1650)	1				
16	6F5-15779-02	.COVER .CUBIERTA	1				
17	6A0-15789-00	.DAMPER .AMORTIGUADOR	1				
18	677-15758-01-94	.GUIDE, ROPE .GUIA DE CUERDA	1				
19	677-15762-00	.SEAL, RUBBER 2 .SELLO DE GOMA 2	1				
20	97095-06016	.BOLT .PERNO	2				
21	92995-06600	.WASHER .ARANDELA	2				
22	97095-06020	BOLT PERNO	2				
23	92995-06600	WASHER ARANDELA	2				
24	97095-06035	BOLT PERNO	1				
25	92995-06600	WASHER ARANDELA	1				

* CUT FROM 50M ROLLS, PART NO. 90890-44373, CUTTING LENGTH 1.65M
* CORTE DE UN RODILLO DE 50M , PARTS NUMERO 90890-44373, LARGO DEL CORTE 1.65M



6772200-3070



6772200-3070

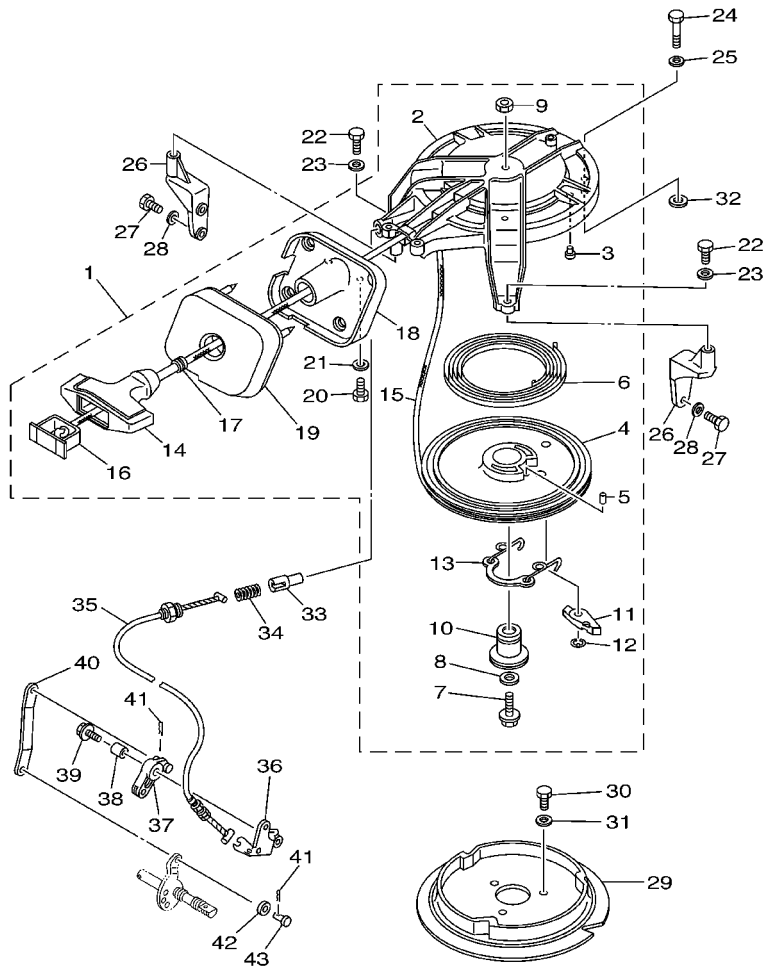
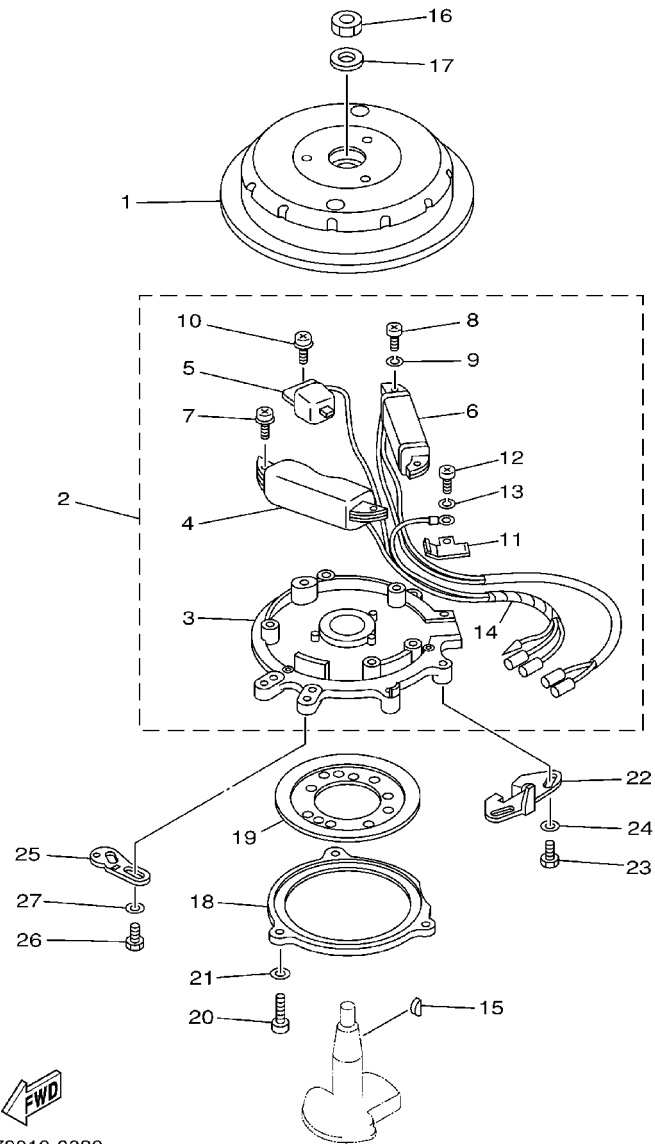


FIG. 7 STARTER

ARRANQUE

REF. NO.	PART NO. CODIGO NO.	DESCRIPTION DESCRIPTION	E80				REMARKS OBSERVACION
26	6K3-15771-00-94	STAY 1 SOPORTE 1	2				
27	97095-06018	BOLT PERNO	4				
28	92995-06600	WASHER ARANDELA	4				
29	6E7-15723-00-94	PULLEY, STARTER POLEA DE ARRANQUE	1				
30	97095-06012	BOLT PERNO	3				
31	92995-06600	WASHER ARANDELA	3				
32	90201-10120	WASHER, PLATE ARANDELA PLANA	1				
33	656-15748-00	PLUNGER, STARTER STOP EMBOLO SEGURO DE ARRANQUE	1				
34	90501-10227	SPRING, COMPRESSION RESORTE DE COMPRESION	1				
35	677-15770-01	CABLE COMP., STARTER STOP CABLECOMPL DE SEGURO ARRANQUE	1				
36	677-15772-00	STAY 2 SOPORTE 2	1				
37	677-15746-00	ARM BRAZO	1				
38	90387-06504	COLLAR COLLAR	1				
39	90119-06M87	BOLT, WITH WASHER TORNILLO CON ARANDELA	1				
40	677-15747-00	LINK ESLABON	1				
41	90468-10005	CLIP PRESILLA	2				
42	90202-05088	WASHER, PLATE ARANDELA DE PLANA	1				
43	647-41652-00	SET PIN PASADOR CONTROL MAGNETO	1				



6770010-0080

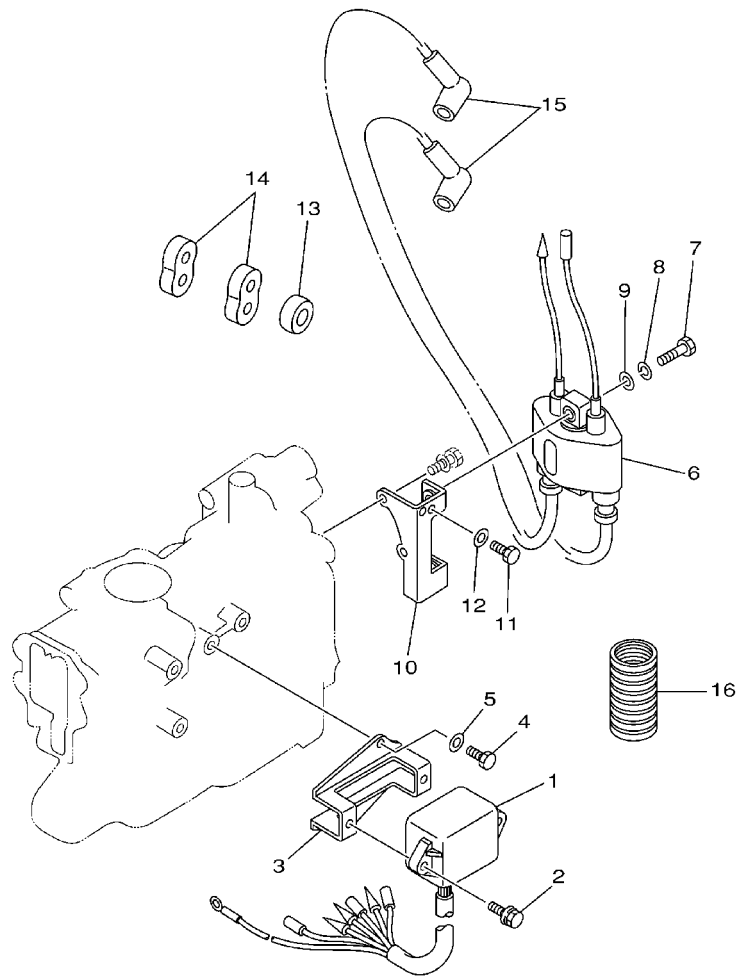
FIG. 8 GENERATOR

GENERADOR

REF. NO.	PART NO. CODIGO NO.	DESCRIPTION DESCRIPTION	E80				REMARKS OBSERVACION
1	6G1-85550-71	ROTOR ASSY ROTOR COMPLETO	1				
2	6K3-85560-40	BASE ASSY CONJUNTO BASE	1				
3	6K3-85509-70	.BASE, MAGNETO .BASE DE MAGNETO	1				
4	6E7-85520-70	.COIL, CHARGE .BOBINA DE CARGA	1				
5	6E7-85580-70	.COIL, PULSER .BOBINA DE PULSACION	1				
6	6E7-85533-40	.COIL, LIGHTING .BOBINA DE LUZ	1				
7	90159-05039	.SCREW, WITH WASHER .TORNILLO CON VALONA	2				
8	97802-05020	.SCREW, PAN HEAD .TORNILLO	2				
9	92902-05100	.WASHER, SPRING .RONDANA SENCILLA	2				
10	90159-05038	.SCREW, WITH WASHER .TORNILLO CON VALONA	1				
11	6G1-85548-70	.HOLDER .SOSTEN	2				
12	97802-04008	.SCREW, PAN HEAD .TORNILLO	1				
13	92902-04100	.WASHER, SPRING .RONDANA SENCILLA	1				
14	6G1-85515-70	.LEAD WIRE ASSY .CABLE CONDUCTOR COMPLETO	1				
15	90280-04M06	KEY, WOODRUFF CUNA WOODRUFF	1				
16	90170-10113	NUT TUERCA	1				
17	90201-10126	WASHER, PLATE ARANDELA PLANA	1				
18	677-41611-00-94	RETAINER, MAGNETO BASE RETENEDOR BASE MAGNETO	1				
19	677-41612-00	RETAINER, MAGNETO BASE RETENEDOR BASE MAGNETO	1				
20	97885-05010	SCREW, PAN HEAD TORNILLO A MUESCA	3				
21	92995-05600	WASHER ARANDELA	3				
22	677-41615-10	STOPPER, MAGNETO BASE RETENEDOR, BASE MAGNETO	1				
23	97095-06016	BOLT PERNO	2				
24	92995-06600	WASHER ARANDELA	2				
25	677-41213-00-94	CAM, ACCEL. LEVA ACELERADOR	1				
26	97095-05014	BOLT PERNO	2				
27	92995-05600	WASHER ARANDELA	2				

FIG. 9 ELECTRICAL

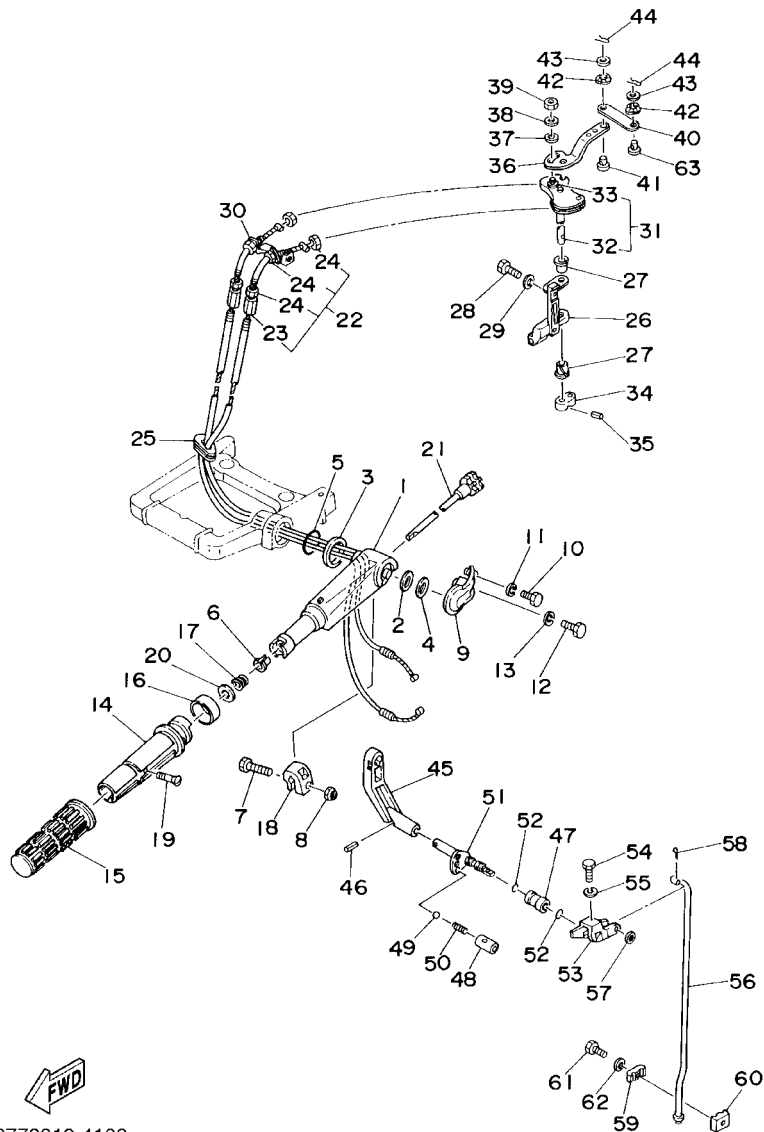
ELECTRICO



REF. NO.	PART NO. CODIGO NO.	DESCRIPTION DESCRIPTION	E80				REMARKS OBSERVACION
1	696-85540-11	C.D.I. UNIT ASSY UNIDAD C.D.I. COMPLETA	1				
2	90119-06M19	BOLT, WITH WASHER TORNILLO CON ARANDELA	2				
3	6K3-85525-01	COVER CUBIERTA	1				
4	97095-06016	BOLT PERNO	2				
5	92995-06600	WASHER ARANDELA	2				
6	6G1-85570-01	IGNITION COIL ASSY BOBINA DE IGNICION COMPLETO	1				
7	97095-06025	BOLT PERNO	2				
8	92995-06100	WASHER, SPRING ARANDELA	2				
9	92995-06600	WASHER ARANDELA	2				
10	6K3-85542-01	BRACKET SOPORTE	1				
11	97095-06010	BOLT PERNO	1				
12	92995-06600	WASHER ARANDELA	1				
13	90480-25161	GROMMET TAPON	1				
14	90480-25M18	GROMMET TAPON	2				
15	682-82370-00	PLUG CAP ASSY TAPON DE BUJIA COMPLT	2				
	6E3-82370-21	PLUG CAP ASSY TAPON DE BUJIA COMPLT	2				FOR CARIB
16	6K3-83557-00	TUBE ENCHUFE DE ACEITE	1				



6770010-0090

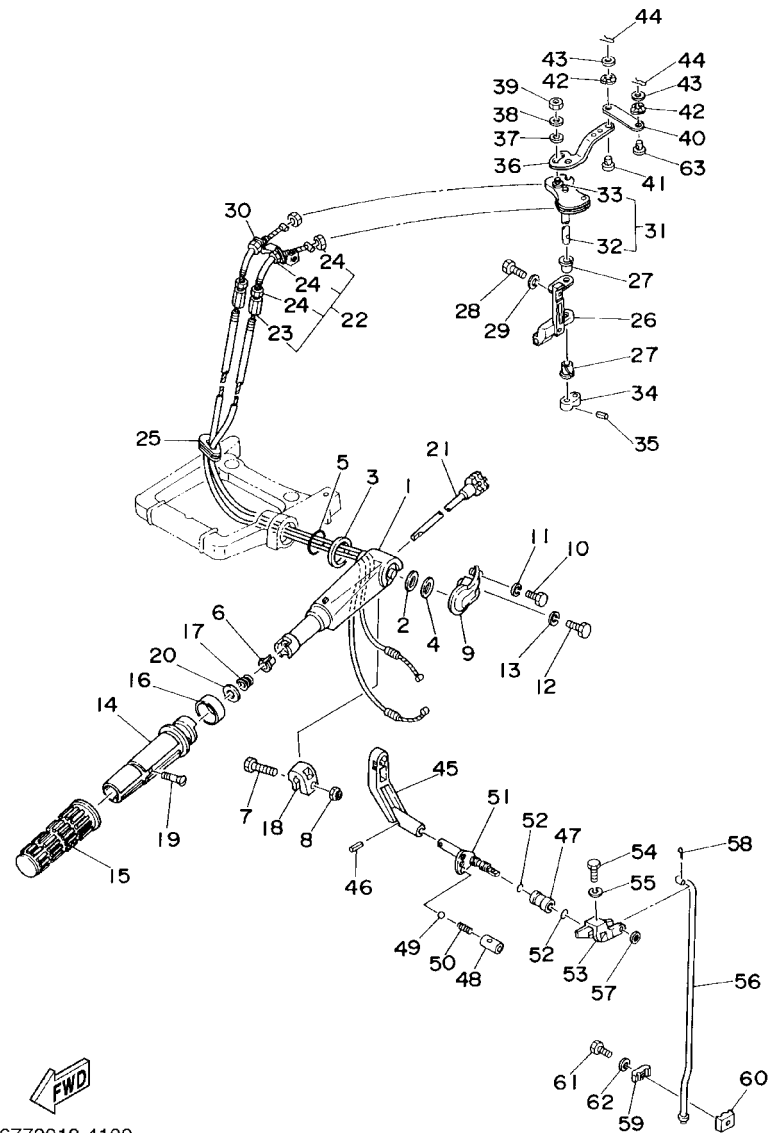


6770010-4100

FIG. 10 CONTROL

CONTROL

REF. NO.	PART NO. CODIGO NO.	DESCRIPTION DESCRIPTION	E80				REMARKS OBSERVACION
1	647-42111-02-4D	HANDLE, STEERING MANIJA DE DIRECCION	1				
2	90560-12075	SPACER SEPARADOR	1				
3	90560-30085	SPACER SEPARADOR	1				
4	90560-12141	SPACER SEPARADOR	1				
5	93210-25032	O-RING JUNTA TORICA	1				
6	90386-08032	BUSH BUJE	1				
7	97095-06020	BOLT PERNO	1				
8	90185-06062	NUT, SELF-LOCKING TUERCA AUTOBLOCANTE	1				
9	677-42112-00-4D	HANDLE, STEERING MANIJA DE DIRRECCION	1				
10	97095-06020	BOLT PERNO	1				
11	92995-06600	WASHER ARANDELA	1				
12	97095-06040	BOLT PERNO	1				
13	92995-06600	WASHER ARANDELA	1				
14	647-42119-02	GRIP, STEERING HANDLE MANGO, MANIJA DE DIRRECCION	1				
15	647-42177-00	RUBBER, HANDLE HULE DE MANIJA	1				
16	677-42137-10	INDICATOR, THROTTLE INDICADOR ACELERADOR	1				
17	90501-23215	SPRING, COMPRESSION RESORTE DE COMPRESION	1				
18	656-42126-01	FRICTION, STEERING HANDLE GRIP FRICCION DE MANGO DIRECCION	1				
19	90149-05M13	SCREW TORNILLO DE REGLAJE	1				
20	92903-10600	WASHER, PLATE RONDANA SENCILLA	1				
21	655-42138-01	LEVER, THROTTLE PLANCA DE ACELERACION	1				
22	677-26301-02	THROTTLE CABLE ASSY CABLE DE ACELERADOR COMPLETO	2				
23	90179-06045	.NUT .TUERCA	1				
24	90170-06011	.NUT .TUERCA	3				
25	90480-16M03	GROMMET TAPON	1				
26	677-41661-00-94	BRACKET SOPORTE	1				
27	90386-08032	BUSH BUJE	2				

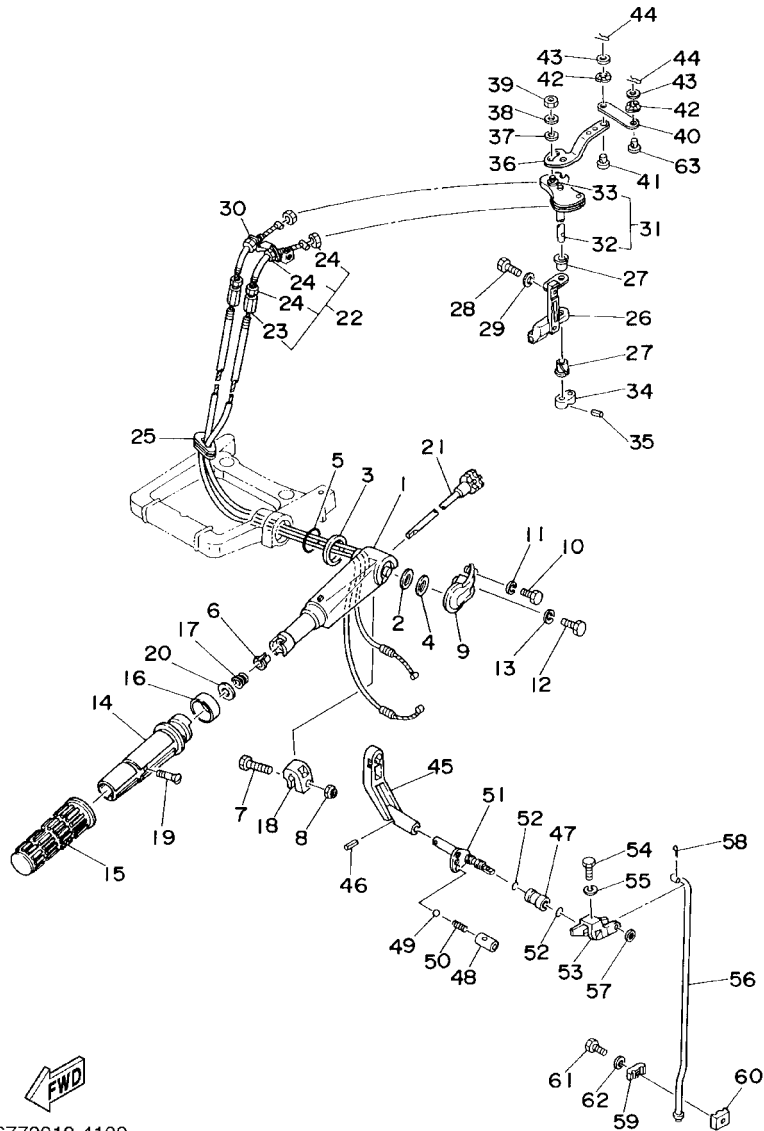


6770010-4100

FIG. 10 CONTROL

CONTROL

REF. NO.	PART NO. CODIGO NO.	DESCRIPTION DESCRIPTION	E80				REMARKS OBSERVACION
28	97095-06035	BOLT PERNO	2				
29	92995-06600	WASHER ARANDELA	2				
30	655-14497-01	STAY, THROTTLE WIRE SOPORTE VALVULA DE OBTURACION	1				
31	655-41638-01	PULLEY POLEA	1				
32	655-41635-00	.SHAFT, LINK CONNECTING .EJE, ESLABON CONECTOR	1				
33	650-41641-00	.BOSS, LEVER .PERILLA DE LA PALANCA	1				
34	655-48541-00-4D	STAY SOPORTE	1				
35	90254-03003	PIN, SPRING PASADOR DE TIPO A RESORTE	1				
36	677-41631-00	LEVER, MAGNETO CONTROL PALANCA DE CONTROL DE MAGNETO	1				
37	92990-06600	WASHER, PLATE ARANDELA PLANA	1				
38	92990-06100	WASHER, SPRING ARANDELA GROWER	1				
39	95380-06600	NUT, HEXAGON TUERCA	1				
40	677-41632-00	LEVER, MAGNETO CONTROL PALANCA DE CONTROL DE MAGNETO	1				
41	647-41652-00	SET PIN PASADOR CONTROL MAGNETO	1				
42	90206-05005	WASHER, WAVE ARANDELA ONDULADA	2				
43	92990-05200	WASHER, PLAIN ARANDELA PLANA	2				
44	90468-10005	CLIP PRESILLA	2				
45	655-44111-02-4D	HANDLE, GEAR SHIFT MANIJA DE CAMBIO DE MARCHAS	1				
46	91690-40016	PIN, SPRING PASADOR DE RESORTE	1				
47	655-44122-03	BUSHING, SHIFT ROD LEVER BUJE PALANCA VARILLA DE CAMBIO	1				
48	655-42715-00	BUSHING BUJE	1				
49	93505-16024	BALL ESFERA	1				
50	90501-12274	SPRING, COMPRESSION RESORTE DE COMPRESION	1				
51	677-44119-00	SHAFT, CHANGE EJE DE CAMBIO	1				
52	93210-09165	O-RING JUNTA TORICA	2				
53	655-44121-01	LEVER, SHIFT ROD PALANCA VARILLA CAMBIOS	1				
54	97090-05020	BOLT PERNO	1				



6770010-4100

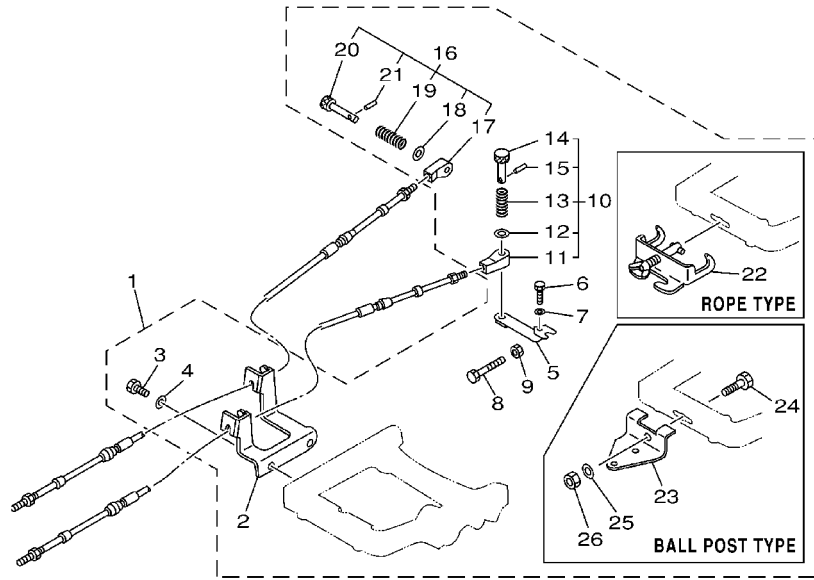
FIG. 10 CONTROL

CONTROL

REF. NO.	PART NO. CODIGO NO.	DESCRIPTION DESCRIPTION	E80				REMARKS OBSERVACION
55	92990-05100	WASHER, SPRING ARANDELA GROWER	1				
56	655-44143-01	ROD, SHIFT VARILLA DE CAMBIO	1				
57	92990-06200	WASHER, PLAIN ARANDELA PLANA	1				
58	91490-16010	PIN, COTTER CHAVETA	1				
59	616-44145-01	CONNECTOR, SHIFT ROD CONECTOR, VARILLA CAMBIO	1				
60	616-44146-01	CONNECTOR, SHIFT ROD CONECTOR VARILLA DE CAMBIO	1				
61	97095-06020	BOLT PERNO	1				
62	92995-06600	WASHER ARANDELA	1				
63	90240-05004	PIN, CLEVIS PASADOR CON HOYO	1				

FIG. 11 REMOTE CONTROL ATTACHMENT

CONJUNTO ADITAMENTO



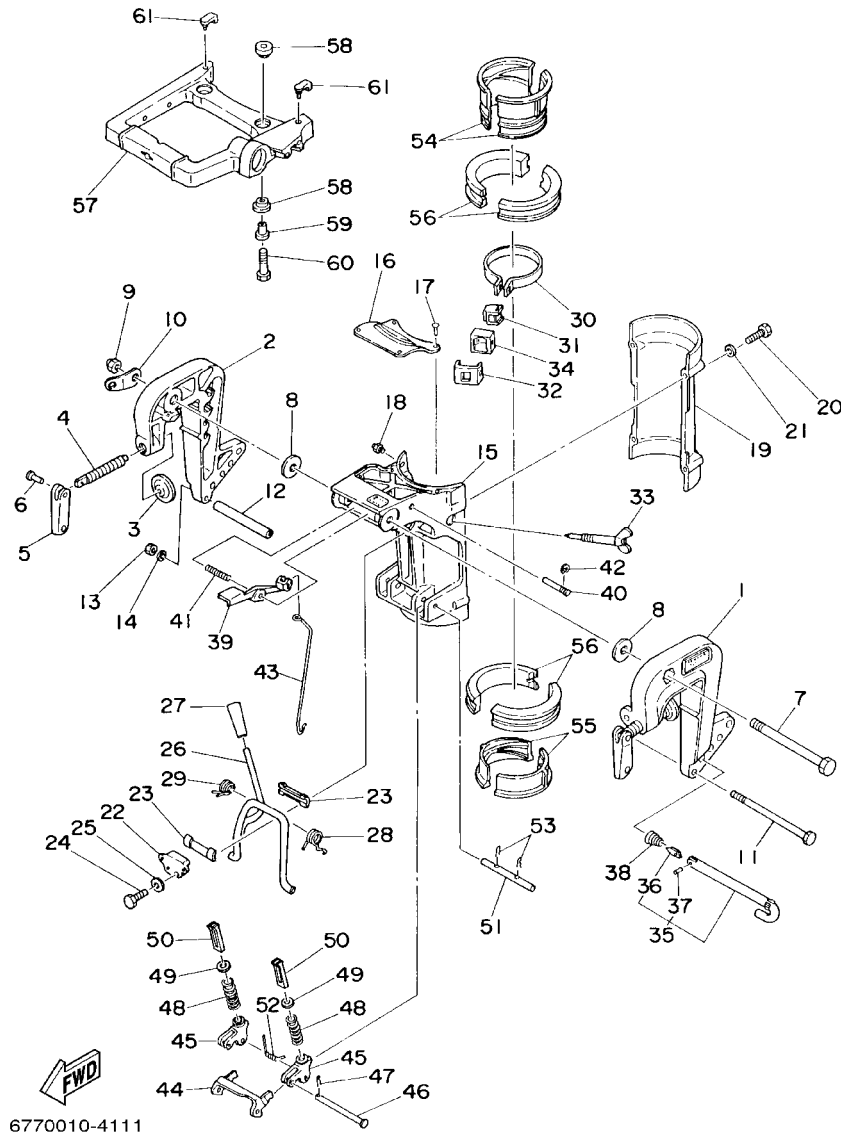
REF. NO.	PART NO. CODIGO NO.	DESCRIPTION DESCRIPTION	E80				REMARKS OBSERVACION
1	655-48501-02	REMOTE CONT. ATTACHMENT ASSY. CONJUNTO ADITAMENTO	1				AP ROPE TYPE
	655-48501-10	REMOTE CONT. ATTACHMENT ASSY. CONJUNTO ADITAMENTO	1				AP BALL POST TYPE
2	655-48531-51	.BRACKET, REMOTE CONTROL 1 .SOPORTE DE CONTROL REMOTO	1				
3	97095-06018	.BOLT .PERNO	2				
4	92995-06600	.WASHER .ARANDELA	2				
5	647-48534-50	.THROTTLE LEVER, CONTROL .PALANCA DE CONTROL DE ACELERA	1				
6	97095-05020	.BOLT .PERNO	1				
7	92995-05600	.WASHER .ARANDELA	1				
8	97090-06045	.BOLT .PERNO	1				
9	95380-06600	.NUT, HEXAGON .TUERCA	1				
10	647-48330-50	.CABLE END ASSY .TERMINAL DE CABLE COMPL.	1				
11	617-48346-90	..CABLE END, REMOTE CONTROL ..TERMINAL CABLE DE CONTROL RE	1				
12	92990-08600	..WASHER, PLATE .ARANDELA PLANA	1				
13	90501-10071	..SPRING, COMPRESSION ..RESORTE DE COMPRESION	1				
14	617-48331-91	..HOOK, CABLE .GANCHO CABLE	1				
15	91690-30012	..PIN, SPRING ..PASADOR DE RESORTE	1				
16	647-48340-50	.CABLE END ASSY .TERMINAL DE CABLE COMPL.	1				
17	647-48346-50	..CABLE END, REMOTE CONTROL ..TERMINAL CABLE DE CONTROL RE	1				
18	92990-08600	..WASHER, PLATE .ARANDELA PLANA	1				
19	90501-10264	..SPRING, COMPRESSION ..RESORTE DE COMPRESION	1				
20	617-48361-91	..HOOK, CABLE .GANCHO CABLE	1				
21	91690-30012	..PIN, SPRING ..PASADOR DE RESORTE	1				
22	700-48510-12	.STEERING HOOK ASSY .GANCHO DE DIRECCION COMPL	1				ROPE TYPE
23	676-48511-10	.HOOK, STEERING .GANCHO DIRECCION	1				BALL POST TYPE
24	97075-10040	.BOLT .PERNO	1				
25	92990-10600	.WASHER, PLATE .ARANDELA PLANA	1				
26	90185-10051	.NUT, SELF-LOCKING .TUERCA AUTOBLOCANTE	1				



6770200-9110

FIG. 12 BRACKET

SOPORTE

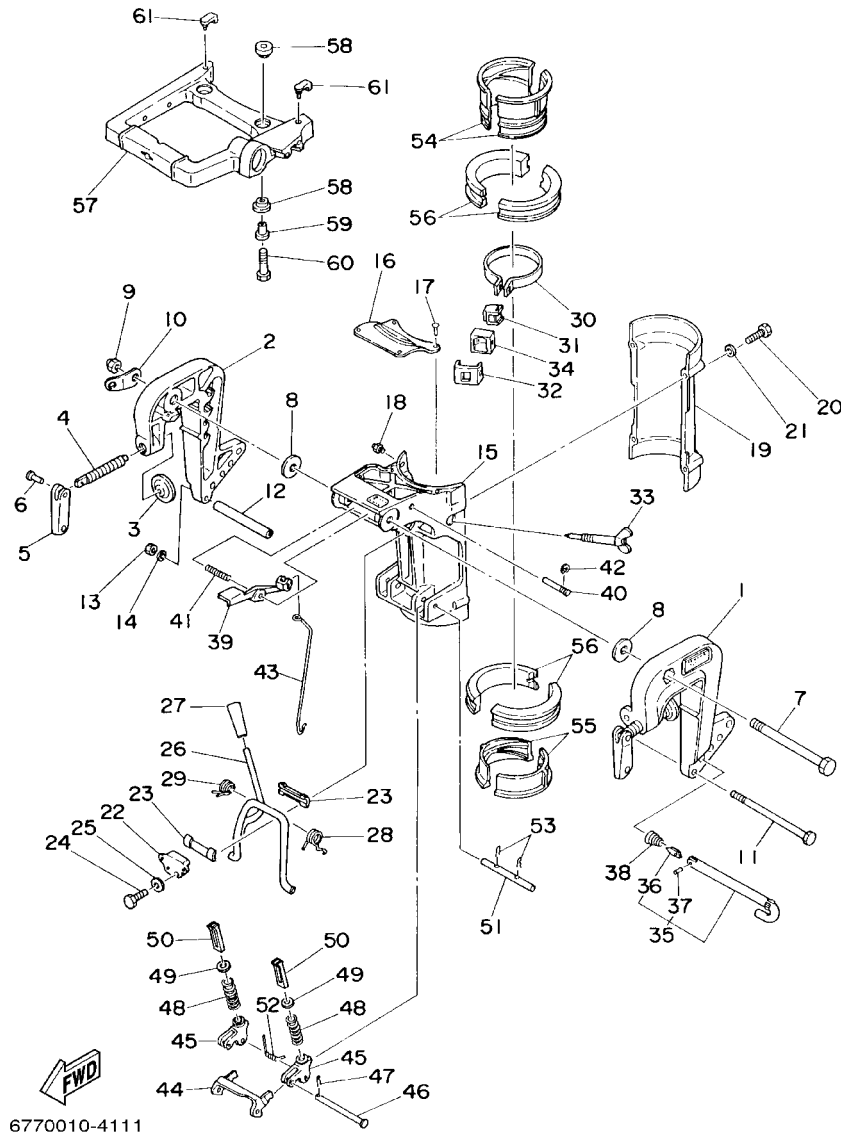


6770010-4111

REF. NO.	PART NO. CODIGO NO.	DESCRIPTION DESCRIPTION	E80				REMARKS OBSERVACION
1	620-43111-02-4D	BRACKET, CLAMP SOPORTE DE LA ABRAZADERA	1				
2	620-43112-01-4D	BRACKET, CLAMP SOPORTE DE LA ABRAZADERA	1				
3	620-43114-00	PAD, TRANSOM CLAMP ARANDELA DE ABRAZADERA	2				
4	677-43116-01	SCREW, TRANSOM CLAMP TORNILLO DE ABRAZADERA	2				
5	663-43118-01-4D	HANDLE, TRANSOM CLAMP MANIJA DE LA ABRAZADERA DELES	2				
6	90243-04007	PIN PASADOR	2				
7	90101-10M00	BOLT TORNILLO	1				
8	90201-10M66	WASHER, PLATE ARANDELA PLANA	2				
9	90185-10051	NUT, SELF-LOCKING TUERCA AUTOBLOCANTE	1				
10	6E7-43113-01	PLATE, CLAMP BRACKET PLACA ABRAZADERA SOPORTE	1				
11	90101-06336	BOLT TORNILLO	1				
12	90387-06M11	COLLAR COLLAR	1				
13	95380-06600	NUT, HEXAGON TUERCA	1				
14	92990-06600	WASHER, PLATE ARANDELA PLANA	1				
15	677-43311-01-4D	BRACKET, SWIVEL 1 SOPORTE GIRATORIO 1	1				
16	655-43318-00-4D	COVER CUBIERTA	1				
17	90269-02M08	RIVET REMACHE	4				
18	93700-06M03	NIPPLE, GREASE BOQUILLA DE ENGRASAR	1				
19	647-43312-00-4D	BRACKET, SWIVEL 2 SOPORTE GIRATORIO 2	1				
20	97095-06040	BOLT PERNO	4				
21	92995-06600	WASHER ARANDELA	4				
22	654-43313-00-94	BRACKET, SWIVEL 3 SOPORTE GIRATORIO 3	1				
23	620-43189-00	BUSHING BUJE	2				
24	97095-06025	BOLT PERNO	2				
25	92995-06600	WASHER ARANDELA	2				
26	647-43181-00	LEVER, TILT STOP PALANCA TOPE INCLINACION	1				
27	620-43632-00	KNOB, TILT PERILLA INCLINADOR	1				

FIG. 12 BRACKET

SOPORTE



6770010-4111

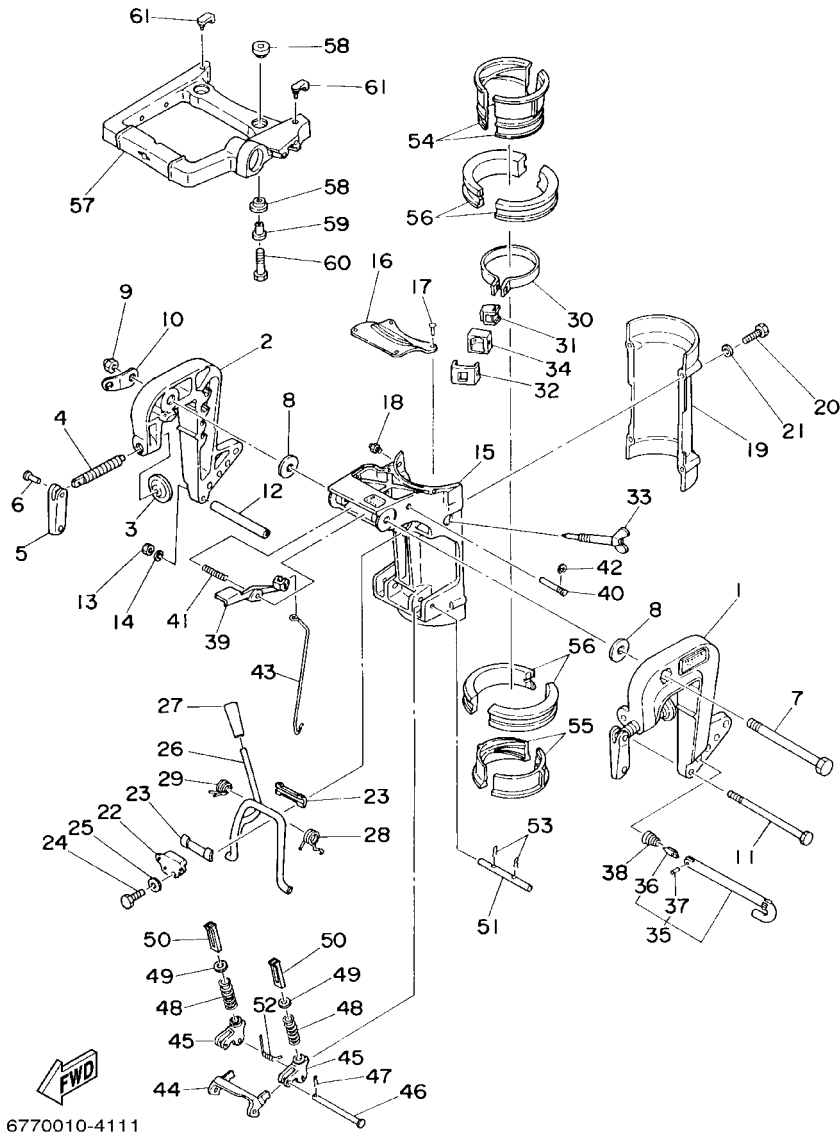
REF. NO.	PART NO. CODIGO NO.	DESCRIPTION DESCRIPTION	E80				REMARKS OBSERVACION
28	90508-16021	SPRING, TORSION RESORTE DE TORSION	1				
29	90508-16020	SPRING, TORSION RESORTE DE TORSION	1				
30	655-42525-00	PLATE, FRICTION PLACA DE FRICCION	1				
31	655-42526-00	PLATE, FRICTION PLACA DE FRICCION	1				
32	655-42527-00	PLATE, FRICTION PLACA DE FRICCION	1				
33	655-42529-00	SCREW, FRICTION PIECE TORNILLO PIEZA FRICCION	1				
34	655-42532-00	COVER CUBIERTA	1				
35	6L4-43160-00	TILT ROD ASSY VARILLA DE BASCULACION COMPL.	1				
36	689-43165-00	.PLATE, TILT LOCK .PLACA DE TOPE, VARILLA SEGUR	1				
37	91690-30008	.PIN, SPRING .PASADOR DE RESORTE	1				
38	90502-10M07	SPRING, CONICAL RESORTE CONICO	1				
39	677-43630-00	TILT LEVER ASSY PLANCA DE INCLINACION COMPL	1				
40	90249-04M05	PIN PASADOR	1				
41	90501-16104	SPRING, COMPRESSION RESORTE DE COMPRESION	1				
42	99001-04600	CIRCLIP PRESILLA REDONDA	1				
43	677-43616-00	ROD, TILT LOCK VARILLA SEGURO DE INCLINACION	1				
44	647-43614-00	PLATE, TILT LOCK PLACA DE SEGURO DE INCLINACION	1				
45	647-43615-01	PLATE, TILT LOCK PLACA DE SEGURO DE INCLINACION	2				
46	90240-05047	PIN, CLEVIS PASADOR CON HOYO	1				
47	90468-10005	CLIP PRESILLA	1				
48	90501-26147	SPRING, COMPRESSION RESORTE DE COMPRESION	2				S/L
	90501-26146	SPRING, COMPRESSION RESORTE DE COMPRESION	2				X
49	647-43627-01	STOPPER RETEN	2				
50	647-43613-00	ARM, TILT LOCK BRAZO DE SEGURO DE INCLINACION	2				
51	647-43659-00	SHAFT, REVERSE LOCK EJE SEGURO DE REVERSA	1				
52	90508-18022	SPRING, TORSION RESORTE DE TORSION	1				
53	90468-10003	CLIP PRESILLA	2				

D1

FIG. 12 BRACKET

SOPORTE

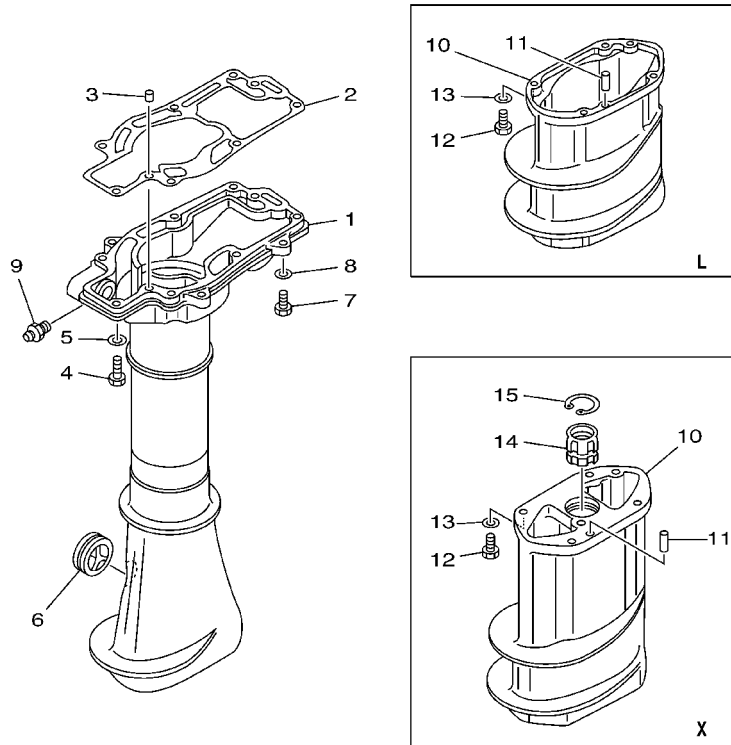
REF. NO.	PART NO. CODIGO NO.	DESCRIPTION DESCRIPTION	E80				REMARKS OBSERVACION
54	647-42537-00	BUSHING, PIVOT SHAFT BUJE DEL PIVOTE DE LA FLECHA	2				
55	677-42538-00	BUSHING, PIVOT SHAFT BUJE DEL PIVOTE DE LA FLECHA	2				
56	647-42539-00	BUSHING, PIVOT SHAFT BUJE DEL PIVOTE DE LA FLECHA	4				
57	655-42511-00-4D	BRACKET, STEERING SOPORTE DE DIRECCION	1				
58	647-42541-00	DAMPER HULE	4				
59	655-42542-00	PIPE TUBO	2				
60	97075-08035	BOLT PERNO	2				
61	647-42523-00	SPACER, FRICTION ESPACIADOR DE FRICCION	2				



6770010-4111

FIG. 13 UPPER CASING

FUNDA SUPERIOR



REF. NO.	PART NO. CODIGO NO.	DESCRIPTION DESCRIPTION	E80				REMARKS OBSERVACION
1	677-45111-01-4D	CASING, UPPER CAJA SUPERIOR	1				
2	677-45113-A1	GASKET, UPPER CASING EMPAQUE	1				
3	93605-08041	PIN, DOWEL PASADOR DE CLAVIJA	2				
4	97095-06025	BOLT PERNO	7				
5	92995-06600	WASHER ARANDELA	7				
6	647-45151-01	COVER, UPPER CASING CUBIERTA FUNDA SUPERIOR	1				
7	97095-06020	BOLT PERNO	4				
8	92995-06600	WASHER ARANDELA	4				
9	93700-06M03	NIPPLE, GREASE BOQUILLA DE ENGRASAR	1				
10	647-45211-10-4D	EXTENSION EXTENSION	1				L
	655-45211-20-4D	EXTENSION EXTENSION	1				X
11	93604-08062	PIN, DOWEL PASADOR DE CLAVIJA	2				L/X
12	97095-06020	BOLT PERNO	4				L/X
13	92995-06600	WASHER ARANDELA	4				L/X
14	655-45318-00	BUSHING, DRIVE SHAFT BUJE, EJE DE MANDO	1				X
15	93420-26M00	CIRCLIP BOLA	1				X

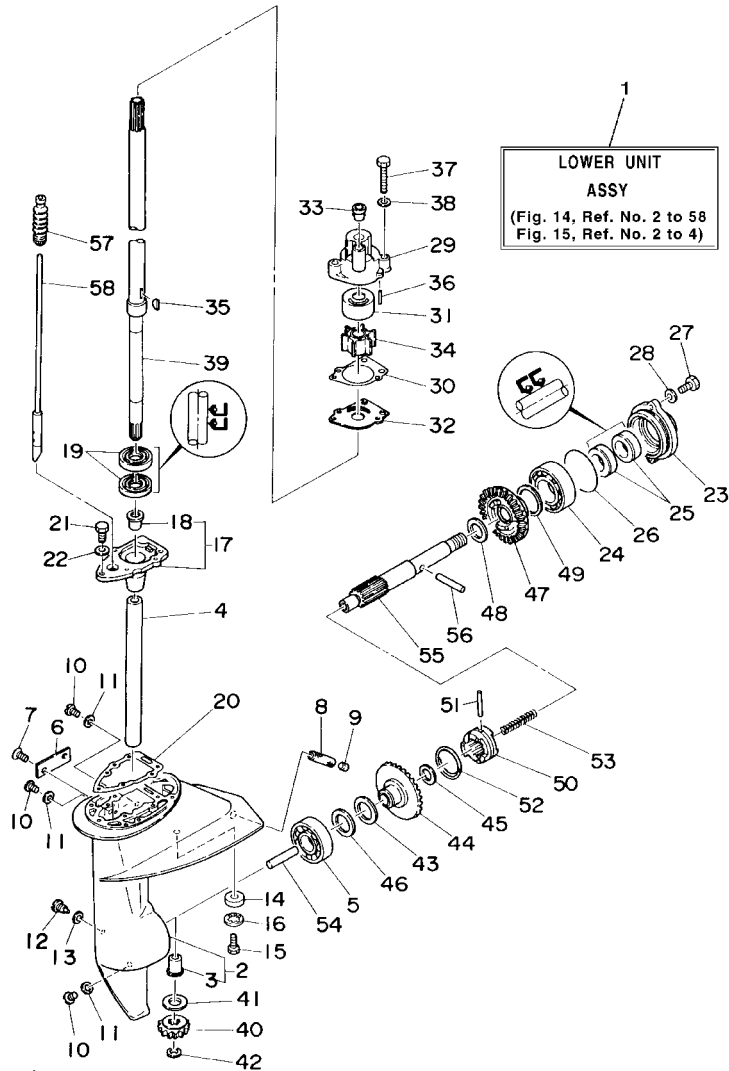


6772200-3130

FIG. 14 LOWER CASING. DRIVE 1

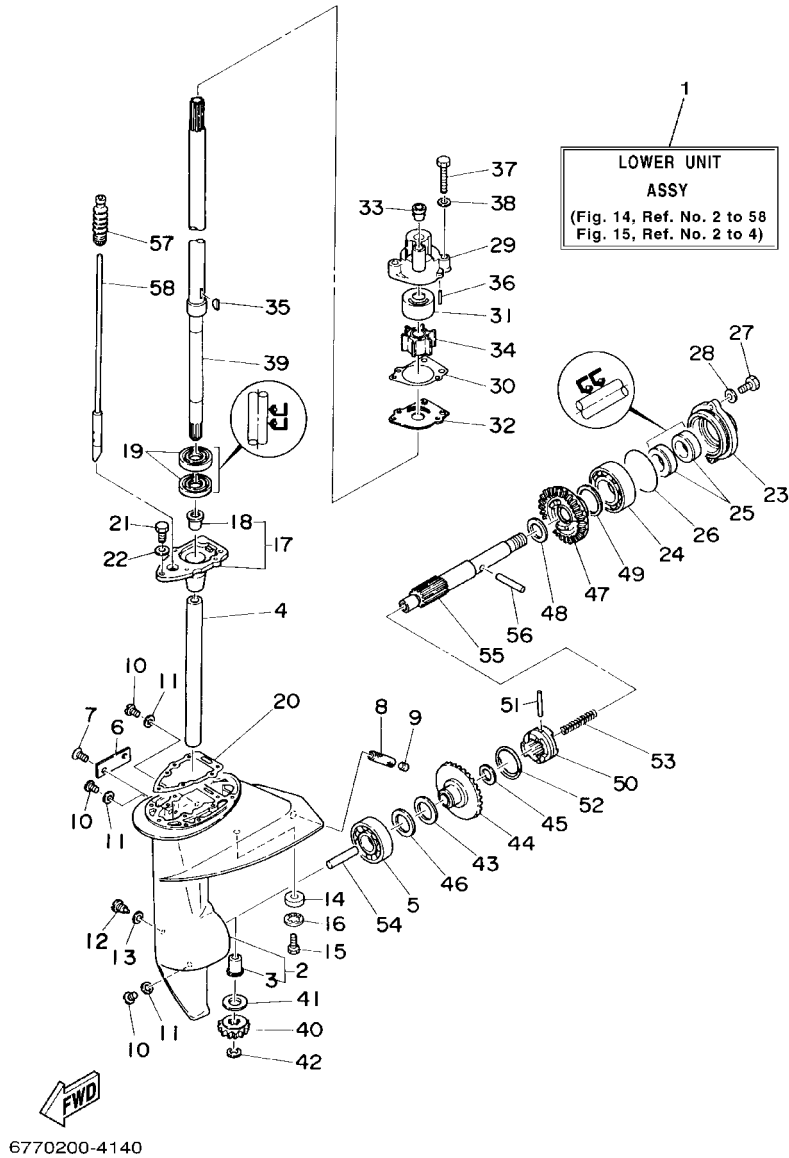
IMPULSOR E INFERIOR 1

REF. NO.	PART NO. CODIGO NO.	DESCRIPTION DESCRIPTION	E80				REMARKS OBSERVACION
1	677-45300-01-4D	LOWER UNIT ASSY CONJUNTO UNIDAD INFERIOR	1				S
	677-45300-11-4D	LOWER UNIT ASSY CONJUNTO UNIDAD INFERIOR	1				L
	677-45300-21-4D	LOWER UNIT ASSY CONJUNTO UNIDAD INFERIOR	1				X
2	655-45310-02-4D	LOWER CASING ASSY FUNDA INFERIOR COMPL.	1				
3	647-45316-09	.BUSHING, DRIVE SHAFT .BUJE, EJE DE MANDO	1				
4	90387-14108	COLLAR COLLAR	1				
5	93306-004U0	BEARING COJINETE	1				
6	655-45214-02-4D	COVER, WATER INLET CUBIERTA ENTRADA AGUA	1				
7	90152-05M02	SCREW, COUNTERSUNK TORNILLO EMBUTIDO	2				
8	626-45215-00	COVER, WATER INLET CUBIERTA ENTRADA AGUA	1				
9	90334-10008	PLUG, STRAIGHT TAPON	1				
10	90340-08002	PLUG, STRAIGHT SCREW TORNILLO, DE DRENAJE	3				
11	90430-08020	GASKET JUNTA	3				
12	90149-06003	SCREW TORNILLO DE REGLAJE	1				
13	90430-06M03	GASKET JUNTA	1				
14	677-45251-00	ANODE CATODE	1				
15	95895-06012	BOLT, FLANGE TORNILLO DE REBORDE	1				
16	92990-06300	WASHER, INTERNAL TOOTH ARANDELA PLANA	1				
17	647-45331-00-94	HOUSING, BEARING CAJA DE COJINETE	1				
18	647-45316-09	.BUSHING, DRIVE SHAFT .BUJE, EJE DE MANDO	1				
19	93101-18050	OIL SEAL RETEN DE ACEITE	2				
20	677-45315-A1	PACKING, LOWER CASING EMPAQUE	1				
21	97095-06020	BOLT PERNO	2				
22	92995-06600	WASHER ARANDELA	2				
23	655-45361-02-4D	CAP, LOWER CASING FUNDA INFERIOR	1				
24	93306-00501	BEARING (B6005) COJINETE (B6005)	1				
25	93101-15074	OIL SEAL RETEN DE ACEITE	2				



6770200-4140

FIG. 14 LOWER CASING. DRIVE 1 IMPULSOR E INFERIOR 1

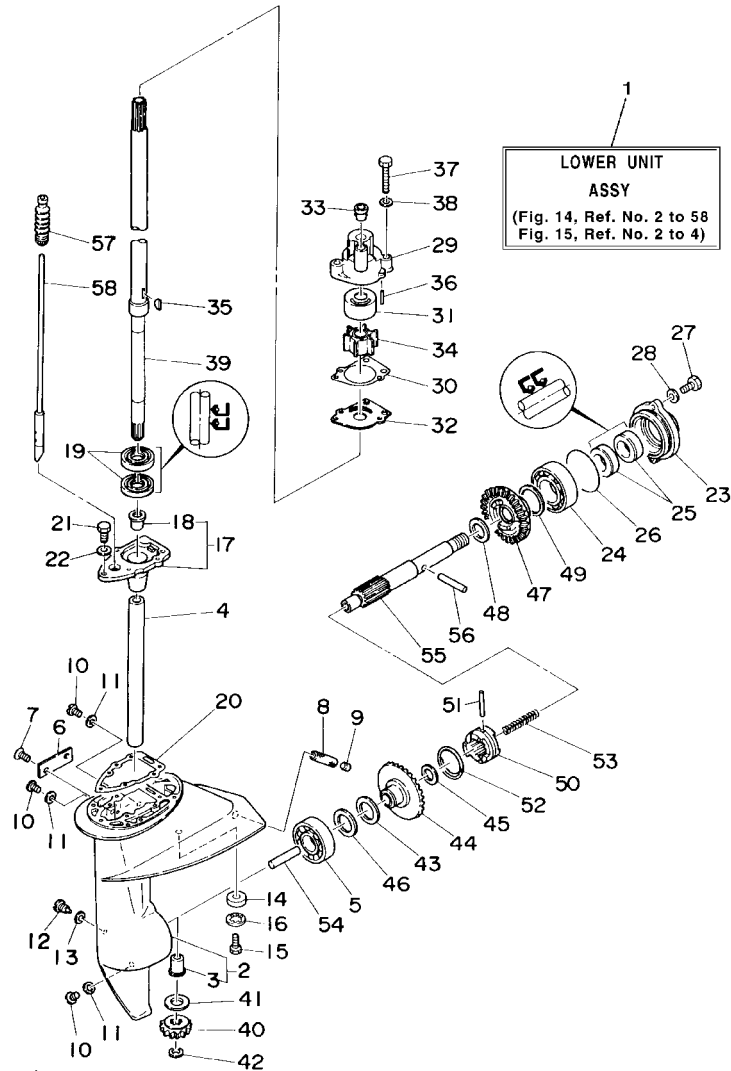


REF. NO.	PART NO. CODIGO NO.	DESCRIPTION DESCRIPTION	EBD				REMARKS OBSERVACION
26	93210-58144	O-RING JUNTA TORICA	1				
27	97095-06020	BOLT PERNO	2				
28	92995-06600	WASHER ARANDELA	2				
29	655-44311-03	HOUSING, WATER PUMP CAJA BOMBA DE AGUA	1				
30	655-44315-A1	GASKET, WATER PUMP EMPAQUE	1				
31	650-44322-01	INSERT, CARTRIDGE CARTUCHO	1				FOR STD
	655-44322-41	INSERT, CARTRIDGE CARTUCHO	1				FOR CHROMATE
32	655-44323-01	OUTER PLATE, CARTRIDGE PLACA EXTERIOR DEL CARTUCHO	1				FOR STD
	655-44323-41	OUTER PLATE, CARTRIDGE PLACA EXTERIOR DEL CARTUCHO	1				FOR CHROMATE
33	647-44366-00	DAMPER, WATER SEAL GOMA DEL SELLO DE AGUA	1				
34	662-44352-01	IMPELLER IMPULSOR	1				
35	90280-03024	KEY, WOODRUFF CUNA WOODRUFF	1				
36	93604-18080	PIN, DOWEL PASADOR DE CLAVIJA	2				
37	97095-06040	BOLT PERNO	3				
38	92995-06600	WASHER ARANDELA	3				
39	655-45501-00	DRIVE SHAFT COMP. EJE DE MANDO COMPL.	1				S
	655-45501-10	DRIVE SHAFT COMP. EJE DE MANDO COMPL.	1				L
	655-45501-20	DRIVE SHAFT COMP. EJE DE MANDO COMPL.	1				X
40	647-45551-00	PINION PINON	1				
41	647-45533-00-08	SHIM (T:0.8MM) LAINA (T:0.8MM)	1				UR
	647-45533-00-10	SHIM (T:1.0MM) LAINA (T:1.0MM)	1				UR
	647-45533-00-12	SHIM (T:1.2MM) LAINA (T:1.2MM)	1				UR
	647-45533-00-14	SHIM (T:1.4MM) LAINA (T:1.4MM)	1				UR
42	99001-07600	CIRCLIP PRESILLA REDONDA	1				
43	624-45567-00-03	SHIM (T:0.3MM) LAINA (T:0.3MM)	1				UR
	624-45567-00-05	SHIM (T:0.5MM) LAINA (T:0.5MM)	1				UR
44	647-45560-00	GEAR ENGRANE COMPLE 1	1				

FIG. 14 LOWER CASING. DRIVE 1

IMPULSOR E INFERIOR 1

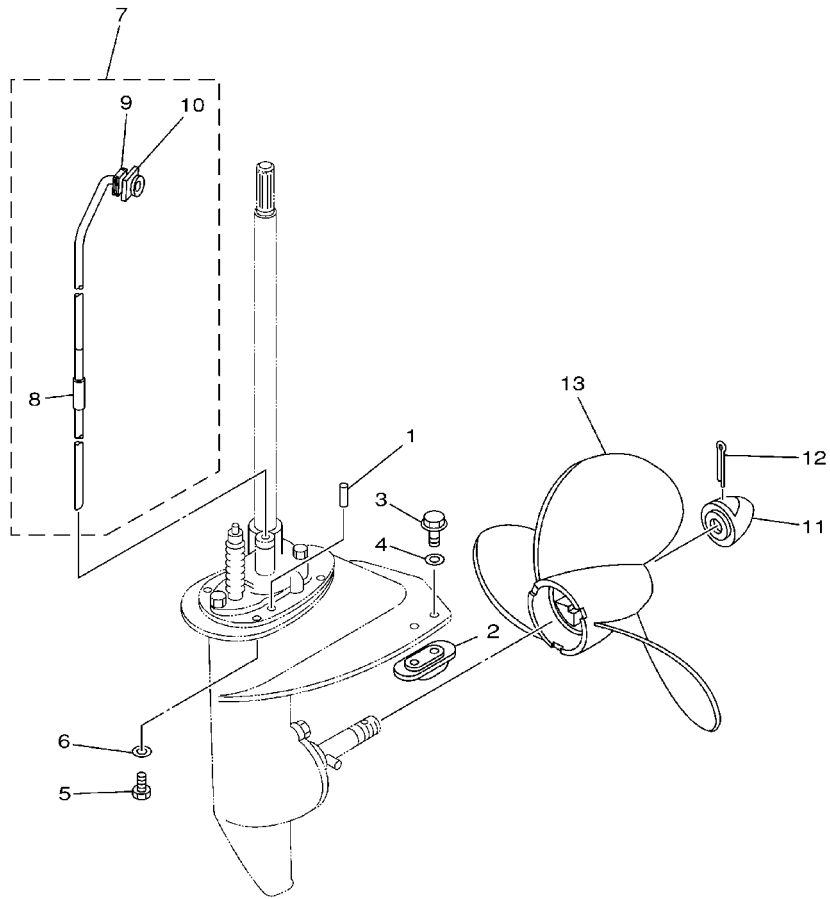
REF. NO.	PART NO. CODIGO NO.	DESCRIPTION DESCRIPTION	E80				REMARKS OBSERVACION
45	90201-13198	WASHER, PLATE ARANDELA PLANA	1				
46	647-45567-00	SHIM (T:0.10MM) LAINA (T:0.10MM)	1				UN
47	647-45570-01	GEAR ENGRANE COMPL 2	1				
48	90201-15229	WASHER, PLATE ARANDELA PLANA	1				
49	626-45577-00-01	SHIM (T:0.10MM) LAINA (T:0.10MM)	1				UR
	626-45577-00-03	SHIM (T:0.30MM) LAINA (T:0.30MM)	1				UR
	626-45577-00-05	SHIM (T:0.50MM) LAINA (T:0.50MM)	1				UR
50	655-45631-00	CLUTCH, DOG EMBRAGUE DE GARRA	1				
51	93605-29098	PIN, DOWEL PASADOR DE CLAVIJA	1				
52	93440-30040	CIRCLIP SEGURO	1				
53	90501-12M61	SPRING, COMPRESSION RESORTE DE COMPRESION	1				
54	654-45635-00	PLUNGER, SHIFT EMBOLO DE CAMBIO	1				
55	677-45611-01	SHAFT, PROPELLER EJE PROPUSOR	1				
56	90250-05036	PIN, STRAIGHT PASADOR CILINDRICO	1				
57	655-44147-00	BOOT, SHIFT ROD HULE DE VARILLA	1				
58	655-44150-00	SHIFT CAM ASSY CONJUNTO EJE LEVA COMPL.	1				S
	655-44150-10	SHIFT CAM ASSY CONJUNTO EJE LEVA COMPL.	1				L
	655-44150-20	SHIFT CAM ASSY CONJUNTO EJE LEVA COMPL.	1				X



6770200-4140

FIG. 15 LOWER CASING. DRIVE 2

IMPULSOR E INFERIOR 2



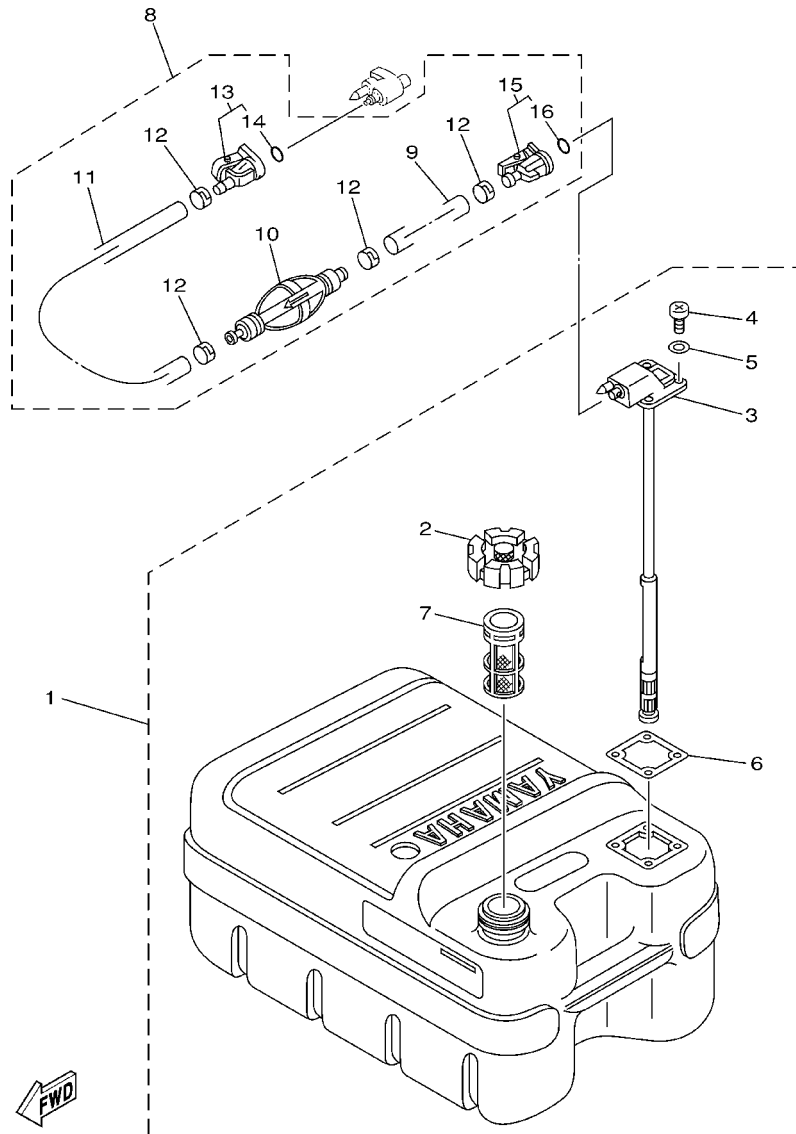
REF. NO.	PART NO. CODIGO NO.	DESCRIPTION DESCRIPTION	E80				REMARKS OBSERVACION
1	93604-08062	PIN, DOWEL PASADOR DE CLAVIJA	2				
2	6E0-45251-12	ANODE CATODE	1				
3	95895-06016	BOLT, FLANGE TORNILLO DE REBORDE	2				
4	92990-06300	WASHER, INTERNAL TOOTH ARANDELA PLANA	2				
5	97095-06020	BOLT PERNO	4				
6	92995-06600	WASHER ARANDELA	4				
7	655-44360-00	WATER TUBE ASSY TUBO AGUA COMPL	1				S
	655-44360-10	WATER TUBE ASSY TUBO AGUA COMPL	1				L
	655-44360-20	WATER TUBE ASSY TUBO AGUA COMPL	1				X
8	90445-11262	.HOSE (L30) .TUBO (L30)	1				S/L
9	655-44365-00	.DAMPER, WATER SEAL .HULE DE SELLO DE AGUA	1				
10	655-44373-00	.SET PLATE, WATER TUBE .PLACA PARA FIJAR TUBO	1				
11	647-45616-02	NUT, PROPELLER TUERCA DE HELICE	1				
12	91490-30030	PIN, COTTER CHAVETA	1				
13	647-45941-00-EL	PROPELLER (3X9-1/4"X9-1/4"-C) PROPELA (3X9-1/4"X9-1/4"-C)	1				UR
	647-45943-00-EL	PROPELLER (3X9"X7"-C) PROPELA (3X9"X7"-C)	1				UR
	647-45947-00-EL	PROPELLER (3X9"X9"-C) PROPELA (3X9"X9"-C)	1				UR
	655-45943-00-EL	PROPELLER (3X9"X7-1/2"-C) PROPELA (3X9"X7-1/2"-C)	1				UR
	655-45945-00-EL	PROPELLER (3X9"X6-1/4"-C) PROPELA (3X9"X6-1/4"-C)	1				UR
	655-45947-01-EL	PROPELLER (3X9"X5-3/4"-C) PROPELA (3X9"X5-3/4"-C)	1				UR
	655-45949-00-EL	PROPELLER (3X9"X5"-C) PROPELA (3X9"X5"-C)	1				UR



6770010-0140

FIG. 16 FUEL TANK

DEPOSITO DE COMBUSTIBLE

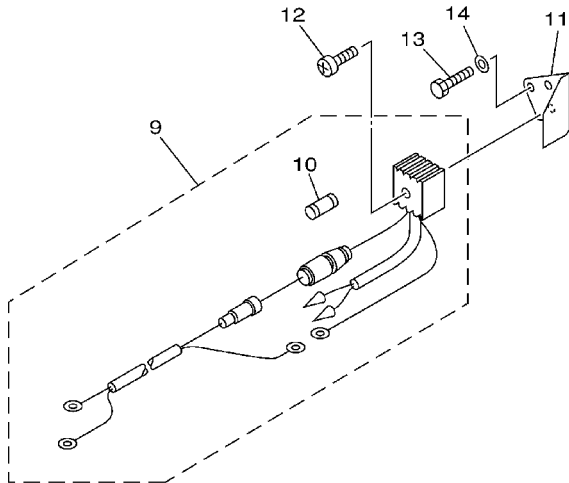
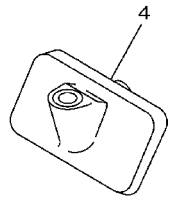
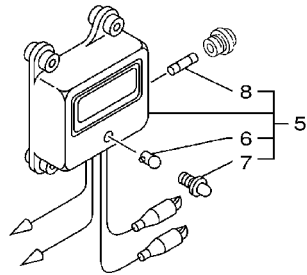
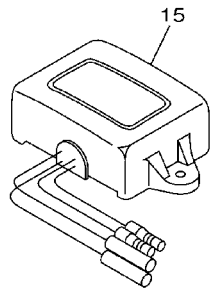
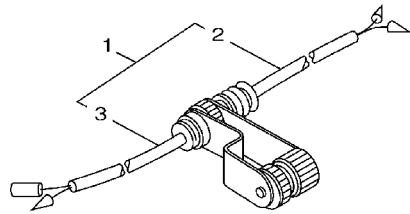


67C0100-9300

REF. NO.	PART NO. CODIGO NO.	DESCRIPTION DESCRIPTION	E80				REMARKS OBSERVACION
1	6YJ-24201-00	FUEL TANK ASSY (24L)	1				AP
	6YJ-24201-10	TANQUE DEL COMBUSTIBLE (24L)	1				AP FOR CHINA
2	6YJ-24610-01	.CAP ASSY	1				
		.TAPA COMPLETA	1				
3	6YJ-24260-00	.FUEL METER ASSY	1				
		.MEDIDOR DE COMBUSTIBLE COMPL.	1				
	6Y1-24260-12	.FUEL METER ASSY	1				FOR CHINA
		.MEDIDOR DE COMBUSTIBLE COMPL.	1				
4	98586-05016	.SCREW, PAN HEAD	4				
		.TORNILLO DE CABEZA CON PLANA	4				
5	6Y1-24329-00	.SEAL	4				
		.SELLO	4				
6	6Y1-24268-00	.GASKET, FUEL METER	1				
		.EMPAQ MEDIDOR DE COMBUSTIBLE	1				
7	6YJ-24167-00	.STRAINER	1				
		.COLADOR	1				
8	61J-24306-02	FUEL PIPE COMP. 1	1				AP
		TUBO COMBUST. COMPL 1	1				
9	90445-11M06	.HOSE (L2050)	1				
		.MANGUERA (L2050)	1				
10	61J-24360-00	.PRIMER PUMP ASSY	1				
		.SOPORTE BOMBA	1				
11	90445-11M05	.HOSE (L850)	1				
		.MANGUERA (L850)	1				
12	650-24351-51	.BAND 1	4				
		.ABRAZADERA 1	4				
13	6G1-24305-03	.FUEL PIPE JOINT COMP. 2	1				
		.CONECTOR MANGUERA COMBUST. 2	1				
14	93210-08287	..O-RING	1				
		..JUNTA TORICA	1				
15	6Y1-24305-04	.FUEL PIPE JOINT COMP. 2	1				
		.CONECTOR MANGUERA COMBUST. 2	1				
16	93210-08287	..O-RING	1				
		..JUNTA TORICA	1				

FIG. 17 OPTIONAL PARTS

PARTES OPCIONALES

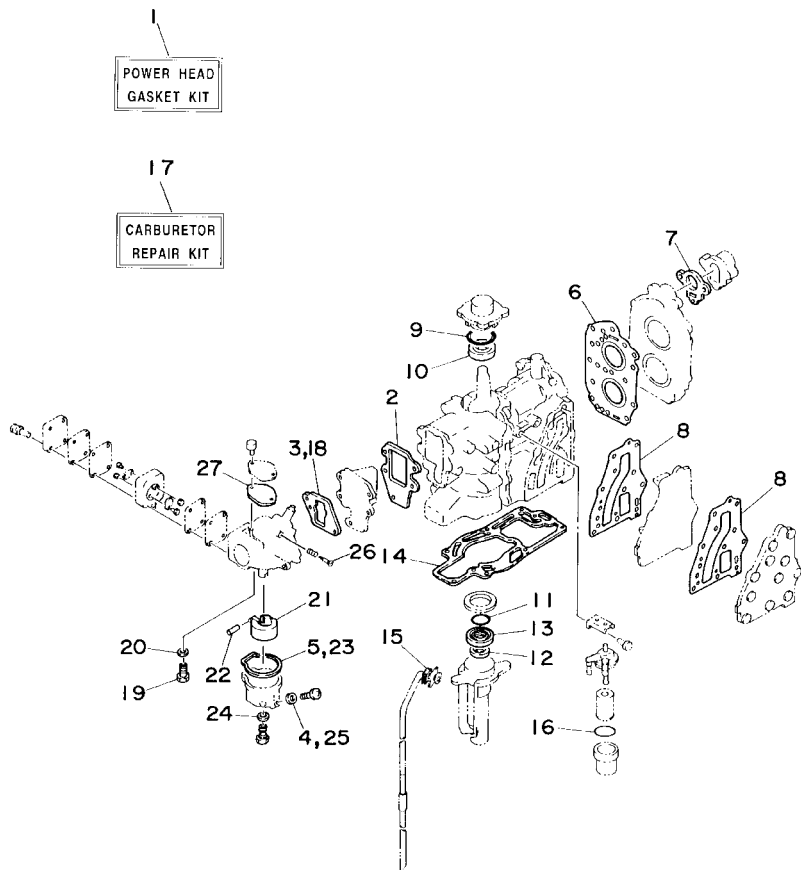


REF. NO.	PART NO. CODIGO NO.	DESCRIPTION DESCRIPTION	E80				REMARKS OBSERVACION
1	682-84380-00	CONCENT 2P CONCENTO 2P COMPL.	1				
2	682-84381-00	.2P CONCENT .2P CONDUCTO DE SALIDA 1	1				
3	682-84382-00	.2P CONCENT .2P CONDUCTO DE SALIDA 2	1				
4	677-15758-82-4D	GUIDE, ROPE GUIA DE CUERDA	1				
5	648-81970-41	RECTIFIER ASSY RECTIFICADOR COMPLETO	1				
6	648-81977-40	.BULB, PILOT LIGHT .AMPOLLETA DE PILOTO	1				
7	648-81978-40	.LENS, PILOT LIGHT .LENTE PILOTO	1				
8	648-82151-41	.FUSE .FUSIBLE	1				
9	676-81970-00	RECTIFIER ASSY RECTIFICADOR COMPLETO	1				
10	663-82151-00	.FUSE (12V-20A) .FUSIBLE (12V-20A)	1				
11	677-81975-00	PLATE, RECTIFIER FITTING PLACA ACCESORIA RECTIF.	1				
12	97880-05025	SCREW, PAN HEAD TORNILLO DE CABEZA CON PLANA	1				
13	97013-06010	BOLT PERNO	2				
14	92903-06600	WASHER, PLATE RONDANA SENCILLA	2				
15	663-81910-10	VOLTAGE REGULATOR ASSY REGULADOR DE VOLTAJE COMPLETO	1				

6770200-9170

FIG. 18 REPAIR KIT 1

ESTUCHE REPARATION 1



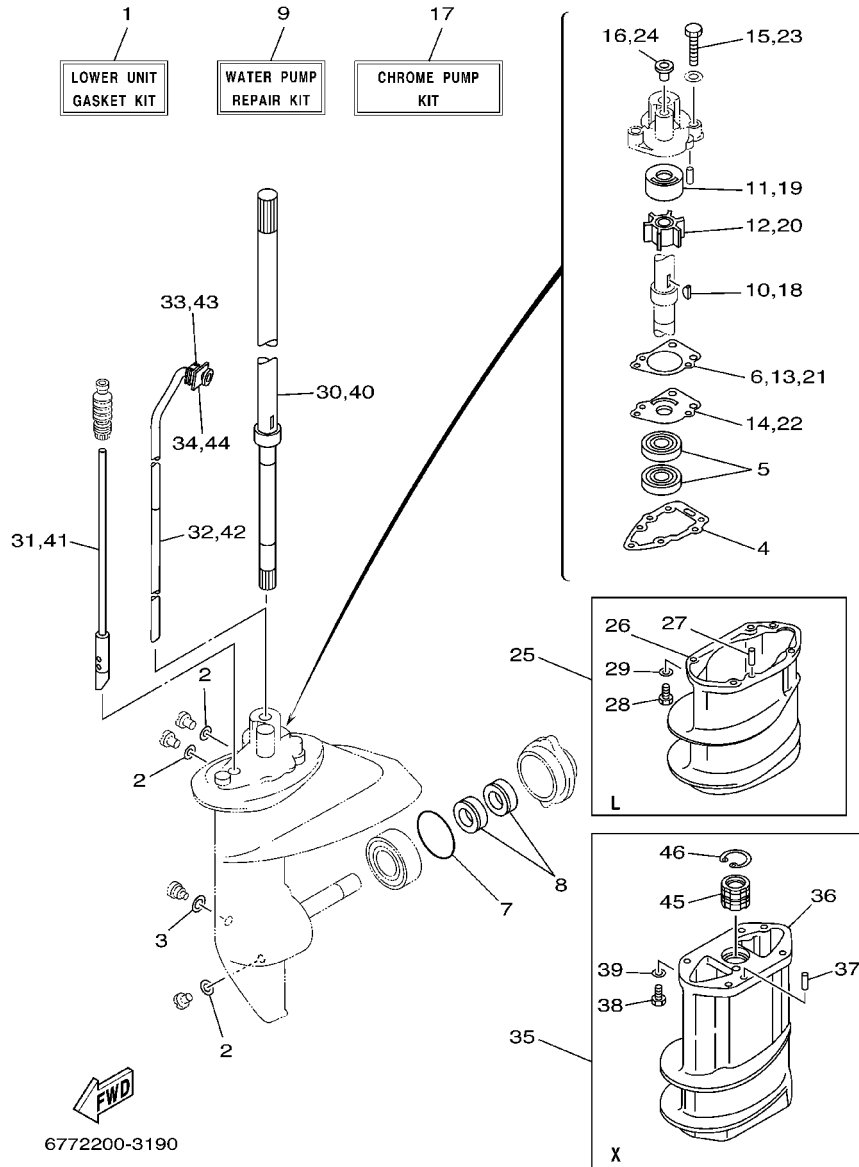
REF. NO.	PART NO. CODIGO NO.	DESCRIPTION DESCRIPTION	E80				REMARKS OBSERVACION
1	677-W0001-A2	POWER HEAD GASKET KIT JUEGO DE EMPAQUE	1				
2	677-13621-A1	.GASKET, VALVE SEAT .JUNTA, DE VALV.DE EMPAQUE	1				
3	677-14198-A1	.GASKET EMPAQUE	1				
4	655-14398-00	.GASKET EMPAQUE	1				
5	677-14384-01	.GASKET, FLOAT CHAMBER EMPAQUE DE CAMARA DE BOIA	1				
6	677-11181-A1	.GASKET, CYLINDER HEAD 1 .JUNTA, DE CULATA 1	1				
7	677-12414-A1	.GASKET, COVER EMPAQUE	1				
8	677-41112-A1	.GASKET, EXHAUST INNER COVER EMPAQUE	2				
9	93210-42159	.O-RING .JUNTA TORICA	1				
10	93102-20M25	.OIL SEAL .RETEN DE ACEITE	1				
11	93210-42M70	.O-RING .JUNTA TORICA	1				
12	93101-14M01	.OIL SEAL .RETEN DE ACEITE	1				
13	93101-20M29	.OIL SEAL .RETEN DE ACEITE	1				
14	677-45113-A1	.GASKET, UPPER CASING EMPAQUE	1				
15	655-44365-00	.DAMPER, WATER SEAL HULE DE SELLO DE AGUA	1				
16	93210-32738	.O-RING .JUNTA TORICA	1				
17	677-W0093-06	CARBURETOR REPAIR KIT KIT REPARACION CARBURADOR	1				
18	677-14198-A1	.GASKET EMPAQUE	1				
19	6E8-14390-12	.NEEDLE VALVE ASSY VALVULA DE AGUJA COMPLETA	1				
20	367-14195-00	.GASKET ARANDELA DE VALVULA DE AGUJA	1				
21	6E7-14385-00	.FLOAT .BOIA	1				
22	647-14386-10	.PIN, FLOAT .PASADOR DE BOIA	1				
23	677-14384-01	.GASKET, FLOAT CHAMBER EMPAQUE DE CAMARA DE BOIA	1				
24	1J2-14398-00	.GASKET EMPAQUE	1				
25	655-14398-00	.GASKET EMPAQUE	1				
26	648-14323-00	.SCREW, AIR ADJUSTING .TORNILLO DE AJUSTE DE AIRE	1				
27	677-14227-01	.GASKET EMPAQUE	1				



6770200-4180

FIG. 19 REPAIR KIT 2

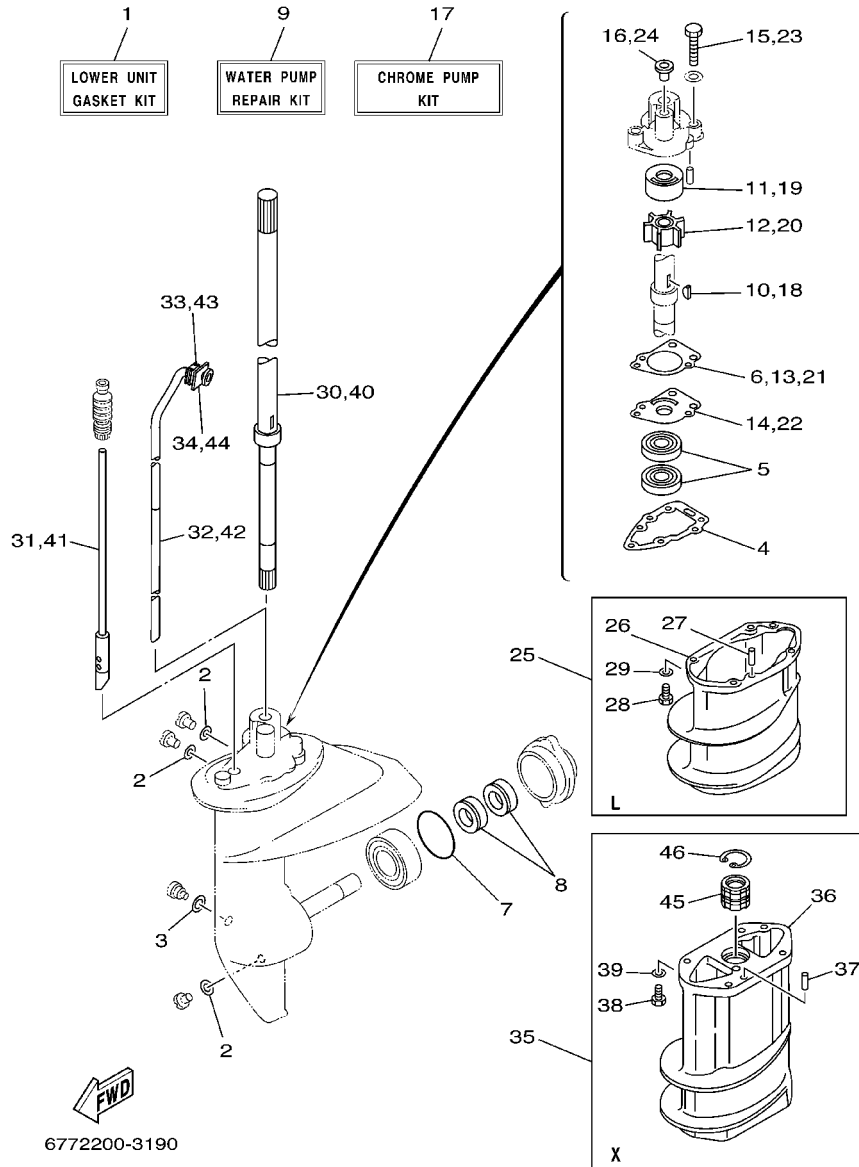
ESTUCHE REPARATION 2



REF. NO.	PART NO. CODIGO NO.	DESCRIPTION DESCRIPTION	E80				REMARKS OBSERVACION
1	677-W0001-C0	LOWER UNIT GASKET KIT JUEGO DE EMPAQUE UNIDAD INFER.	1				
2	90430-08020	.GASKET .JUNTA	3				
3	90430-06M03	.GASKET .JUNTA	1				
4	677-45315-A1	.PACKING, LOWER CASING EMPAQUE	1				
5	93101-18050	.OIL SEAL .RETEN DE ACELITE	2				
6	655-44315-A1	.GASKET, WATER PUMP EMPAQUE	1				
7	93210-58144	.O-RING .JUNTA TORICA	1				
8	93101-15074	.OIL SEAL .RETEN DE ACEITE	2				
9	655-W0078-B0	WATER PUMP REPAIR KIT ESTUCHE REPARACION BOMBA AGUA	1				
10	90280-03024	.KEY, WOODRUFF .CUNA WOODRUFF	1				
11	650-44322-01	.INSERT, CARTRIDGE .CARTUCHO	1				
12	662-44352-01	.IMPELLER .IMPULSOR	1				
13	655-44315-A1	.GASKET, WATER PUMP EMPAQUE	1				
14	655-44323-01	.OUTER PLATE, CARTRIDGE .PLACA EXTERIOR DEL CARTUCHO	1				
15	97095-06040	.BOLT .PERNO	3				
16	647-44366-00	.DAMPER, WATER SEAL .GOMA DEL SELLO DE AGUA	1				
17	655-W0078-CA	CHROMATE POMP KIT ESTUCHE REPARACION BOMBA AGUA	1				
18	90280-03024	.KEY, WOODRUFF .CUNA WOODRUFF	1				
19	655-44322-41	.INSERT, CARTRIDGE .CARTUCHO	1				
20	662-44352-01	.IMPELLER .IMPULSOR	1				
21	655-44315-A1	.GASKET, WATER PUMP EMPAQUE	1				
22	655-44323-41	.OUTER PLATE, CARTRIDGE .PLACA EXTERIOR DEL CARTUCHO	1				
23	97095-06040	.BOLT .PERNO	3				
24	647-44366-00	.DAMPER, WATER SEAL .GOMA DEL SELLO DE AGUA	1				
25	677-W0072-00-4D	EXTENSION KIT ESTUCHE PARA EXTENSION	1				L
26	647-45211-10-4D	.EXTENSION .EXTENSION	1				
27	93604-08062	.PIN, DOWEL .PASADOR DE CLAVIJA	2				

FIG. 19 REPAIR KIT 2

ESTUCHE REPARATION 2



6772200-3190

REF. NO.	PART NO. CODIGO NO.	DESCRIPTION DESCRIPTION	E80				REMARKS OBSERVACION
28	97095-06020	.BOLT .PERNO	4				
29	92995-06600	.WASHER .ARANDELA	4				
30	655-45501-10	.DRIVE SHAFT COMP. .EJE DE MANDO COMPL.	1				
31	655-44150-10	.SHIFT CAM ASSY .CONJUNTO EJE LEVA COMPL.	1				
32	655-44360-10	.WATER TUBE ASSY .TUBO AGUA COMPL	1				
33	655-44365-00	.DAMPER, WATER SEAL .HULE DE SELLO DE AGUA	1				
34	655-44373-00	.SET PLATE, WATER TUBE .PLACA PARA FIJAR TUBO	1				
35	677-W0073-00-4D	EXTENSION KIT ESTUCHE PARA EXTENSION	1				X
36	655-45211-20-4D	.EXTENSION .EXTENSION	1				
37	93604-08062	.PIN, DOWEL .PASADOR DE CLAVIJA	2				
38	97095-06020	.BOLT .PERNO	4				
39	92995-06600	.WASHER .ARANDELA	4				
40	655-45501-20	.DRIVE SHAFT COMP. .EJE DE MANDO COMPL.	1				
41	655-44150-20	.SHIFT CAM ASSY .CONJUNTO EJE LEVA COMPL.	1				
42	655-44360-20	.WATER TUBE ASSY .TUBO AGUA COMPL	1				
43	655-44365-00	.DAMPER, WATER SEAL .HULE DE SELLO DE AGUA	1				
44	655-44373-00	.SET PLATE, WATER TUBE .PLACA PARA FIJAR TUBO	1				
45	655-45318-00	.BUSHING, DRIVE SHAFT .BUJE, EJE DE MANDO	1				
46	93420-26M00	.CIRCLIP .BOLA	1				

NUMERICAL INDEX
INDICE NUMERICO

PART NO. CODIGO NO.	REF. NO.	PART NO. CODIGO NO.	REF. NO.	PART NO. CODIGO NO.	REF. NO.	PART NO. CODIGO NO.	REF. NO.	PART NO. CODIGO NO.	REF. NO.	PART NO. CODIGO NO.	REF. NO.
677-W0001-A2	18-1	677-14227-01	5-13	677-15758-01-94	7-18	677-41256-00	4-9	620-43111-02-4D	12-1	662-44352-01	14-34
677-W0001-C0	19-1		18-27	677-15758-82-4D	17-4	677-41271-00	4-10	620-43112-01-4D	12-2		19-12
677-W0004-00	4-2	677-14301-08	5-1	677-15761-01	1-2	677-41611-00-94	8-18	6E7-43113-01	12-10		19-20
677-W0070-H0	1-9	648-14321-00	5-8	677-15762-00	7-19	677-41612-00	8-19	620-43114-00	12-3	655-44360-00	15-7
677-W0072-00-4D	19-25	648-14323-00	5-9	677-15770-01	7-35	677-41615-10	8-22	677-43116-01	12-4	655-44360-10	15-7
677-W0073-00-4D	19-35		18-26	6K3-15771-00-94	7-26	677-41631-00	10-36	663-43118-01-4D	12-5		19-32
655-W0078-B0	19-9	6E7-14325-00	5-35	677-15772-00	7-36	677-41632-00	10-40	6L4-43160-00	12-35	655-44360-20	15-7
655-W0078-CA	19-17	677-14325-00	5-14	648-15773-00	7-3	655-41635-00	10-32	689-43165-00	12-36		19-42
677-W0090-06-1S	2-1	647-14326-00	5-11	6F5-15779-02	7-16	655-41638-01	10-31	647-43181-00	12-26	655-44365-00	15-9
677-W0093-06	18-17	677-14327-00	5-17	6A0-15789-00	7-17	650-41641-00	10-33	620-43189-00	12-23		18-15
656-W2810-02	6-13	677-14341-00	5-3	6YJ-24167-00	16-7	647-41652-00	7-43	677-43311-01-4D	12-15		19-33
677-11111-00-1S	2-33	647-14342-23	5-4	6YJ-24201-00	16-1		10-41	647-43312-00-4D	12-19		19-43
677-11181-A1	2-34	677-14343-40	5-2	6YJ-24201-10	16-1	677-41661-00-94	10-26	654-43313-00-94	12-22	647-44366-00	14-33
	18-6	6E7-14381-00	5-19	6YJ-24260-00	16-3	647-42111-02-4D	10-1	655-43318-00-4D	12-16		19-16
664-11325-00	2-18	677-14384-01	5-22	6Y1-24260-12	16-3	677-42112-00-4D	10-9	647-43613-00	12-50		19-24
646-11370-01	2-4		18-5	6Y1-24268-00	16-6	647-42119-02	10-14	647-43614-00	12-44	655-44373-00	15-10
650-11370-01	2-3		18-23	6G1-24304-02	6-1	656-42126-01	10-18	647-43615-01	12-45		19-34
676-11372-00	2-6	6E7-14385-00	5-23	6G1-24305-03	16-13	677-42137-10	10-16	677-43616-00	12-43		19-44
677-11372-00	2-5		18-21	6Y1-24305-04	16-15	655-42138-01	10-21	647-43627-01	12-49	677-45111-01-4D	13-1
677-11400-02	3-1	647-14386-10	5-25	61J-24306-02	16-8	647-42177-00	10-15	677-43630-00	12-39	677-45113-A1	13-2
677-11412-02	3-2		18-22	6Y1-24329-00	16-5	655-42511-00-4D	12-57	620-43632-00	12-27		18-14
677-11422-02	3-3	6E8-14390-12	5-5	650-24351-51	16-12	647-42523-00	12-61	647-43659-00	12-51	647-45151-01	13-6
677-11432-02	3-4		18-19	61J-24360-00	16-10	655-42525-00	12-30	655-44111-02-4D	10-45	647-45211-10-4D	13-10
677-11442-02	3-5	367-14396-00	5-24	677-24411-02	5-28	655-42526-00	12-31	677-44119-00	10-51		19-26
677-11515-01	3-11	1J2-14398-00	5-7	677-24412-02	5-29	655-42527-00	12-32	655-44121-01	10-53	655-45211-20-4D	13-10
647-11610-00	3-15		18-24	677-24413-01	5-32	655-42529-00	12-33	655-44122-03	10-47		19-36
647-11610-10	3-15	655-14398-00	5-21	6A0-24421-01	5-27	655-42532-00	12-34	655-44143-01	10-56	655-45214-02-4D	14-6
647-11610-20	3-15		18-4	677-24434-02	5-26	647-42537-00	12-54	616-44145-01	10-59	626-45215-00	14-8
677-11631-00-97	3-14		18-25	677-24435-02	5-30	677-42538-00	12-55	616-44146-01	10-60	6E0-45251-12	15-2
6G1-11633-00	3-16	677-14431-00	4-15	677-24444-01	5-33	647-42539-00	12-56	655-44147-00	14-57	677-45251-00	14-14
677-11635-00	3-14	677-14441-00	4-16	677-24471-01	5-31	647-42541-00	12-58	655-44150-00	14-58	677-45300-01-4D	14-1
677-11636-00	3-14	624-14485-00	2-7	61N-24521-00	6-6	655-42542-00	12-59	655-44150-10	14-58	677-45300-11-4D	14-1
6E0-11651-01	3-6	655-14497-01	10-30	61N-24560-00	6-4	606-42591-00	1-21		19-31	677-45300-21-4D	14-1
6G1-11681-00	3-8	677-15100-02-1S	2-2	61N-24563-00	6-5	677-42610-J0-4D	1-1	655-44150-20	14-58	655-45310-02-4D	14-2
677-12413-00-1S	2-36	677-15359-00-94	2-20	6K3-24566-00	6-8	6G1-42615-00	1-3		19-41	677-45315-A1	14-20
677-12414-A1	2-37	677-15379-02	2-32	6YJ-24610-01	16-2	677-42647-00	1-4	655-44311-03	14-29		19-4
	18-7	677-15396-01-5B	2-25	677-26301-02	10-22	677-42651-02	1-5	655-44315-A1	14-30	647-45316-09	14-3
677-13437-08	1-10	677-15705-02	7-13	6A1-28176-00	1-26	626-42658-00	5-18		19-6		14-18
677-13610-00	4-1	677-15710-05-94	7-1	6E0-28193-00-94	6-14	677-42677-J0	1-7		19-13	655-45318-00	13-14
677-13621-A1	4-3	682-15711-71-94	7-2	626-28193-01-94	6-14	677-42678-H0	1-8		19-21		19-45
	18-2	677-15714-00-94	7-4	677-41111-01-1S	2-39	677-42711-73-4D	1-11	650-44322-01	14-31	647-45331-00-94	14-17
677-14157-01	5-12	677-15717-01	7-10	677-41112-A1	2-40	655-42715-00	10-48		19-11	655-45361-02-4D	14-23
367-14195-00	5-6	6E7-15723-00-94	7-29		18-8	677-42724-00	1-19	655-44322-41	14-31	655-45501-00	14-39
	18-20	677-15741-01	7-11	677-41113-01-1S	2-41	677-42725-00	1-20		19-19	655-45501-10	14-39
677-14198-A1	4-6	677-15746-00	7-37	677-41210-00	5-34	6E7-42791-00	1-25	655-44323-01	14-32		19-30
	18-3	677-15747-00	7-40	677-41213-00-94	8-25	6E7-42791-10	1-25		19-14	655-45501-20	14-39
	18-18	656-15748-00	7-33	677-41226-00	5-16	677-42815-00-4D	1-12	655-44323-41	14-32		19-40
646-14212-01	5-10	689-15755-01	7-14	677-41241-00	5-15	656-42816-00	1-15		19-22	647-45533-00-08	14-41

NUMERICAL INDEX
INDICE NUMERICO

PART NO. CODIGO NO.	REF. NO.	PART NO. CODIGO NO.	REF. NO.	PART NO. CODIGO NO.	REF. NO.	PART NO. CODIGO NO.	REF. NO.	PART NO. CODIGO NO.	REF. NO.	PART NO. CODIGO NO.	REF. NO.
647-45533-00-10	14- 41	689-8257Y-00	1- 24	90201-13198	14- 45	90480-14M02	4- 11	92995-05600	8- 27	93210-32738	18- 16
647-45533-00-12	14- 41	677-82575-20	1- 22	90201-15229	14- 48	90480-16M03	10- 25		11- 7	93210-42M70	2- 26
647-45533-00-14	14- 41	6K3-83557-00	9- 16	90201-41303	2- 29	90480-25M18	9- 14	92995-06100	9- 8		18- 11
647-45551-00	14- 40	682-84380-00	17- 1	90202-05088	7- 42	90480-25161	9- 13	92995-06600	1- 18	93210-42159	2- 21
647-45560-00	14- 44	682-84381-00	17- 2	90206-05005	10- 42	90501-10071	11- 13		2- 24		18- 9
624-45567-00-03	14- 43	682-84382-00	17- 3	90206-12052	1- 13	90501-10227	7- 34		2- 31	93210-58144	14- 26
624-45567-00-05	14- 43	6K3-85509-70	8- 3	90209-18112	3- 9	90501-10264	11- 19		4- 8		19- 7
647-45567-00	14- 46	6G1-85515-70	8- 14	90240-05004	10- 63	90501-12M61	14- 53		6- 3	93306-004U0	14- 5
647-45570-01	14- 47	6E7-85520-70	8- 4	90240-05047	12- 46	90501-12274	10- 50		7- 21	93306-00501	14- 24
626-45577-00-01	14- 49	6K3-85525-01	9- 3	90243-04007	12- 6	90501-16104	12- 41		7- 23	93306-204U0	3- 10
626-45577-00-03	14- 49	6E7-85533-40	8- 6	90249-04M05	12- 40	90501-23215	10- 17		7- 25	93310-418U0	3- 7
626-45577-00-05	14- 49	696-85540-11	9- 1	90250-05036	14- 56	90501-26146	12- 48		7- 28	93420-26M00	13- 15
677-45611-01	14- 55	6K3-85542-01	9- 10	90254-03003	10- 35	90501-26147	12- 48		7- 31		19- 46
647-45616-02	15- 11	6G1-85548-70	8- 11	90266-04M04	1- 6	90502-10M07	12- 38		8- 24	93430-06M02	7- 12
655-45631-00	14- 50	6G1-85550-71	8- 1	90269-02M08	12- 17	90508-16020	12- 29		9- 5	93440-30040	14- 52
654-45635-00	14- 54	6K3-85560-40	8- 2	90280-03024	14- 35	90508-16021	12- 28		9- 9	93440-47055	3- 12
647-45941-00-EL	15- 13	6G1-85570-01	9- 6		19- 10	90508-18022	12- 52		9- 12	93450-13022	3- 19
647-45943-00-EL	15- 13	6E7-85580-70	8- 5		19- 18	90510-08M04	7- 6		10- 11	93505-16024	10- 49
655-45943-00-EL	15- 13	90101-06336	12- 11	90280-04M06	8- 15	90560-12075	10- 2		10- 13	93602-14118	3- 17
655-45945-00-EL	15- 13	90101-10M00	12- 7	90334-10008	14- 9	90560-12141	10- 4		10- 29	93604-08062	13- 11
647-45947-00-EL	15- 13	90116-06M04	4- 20	90340-08002	14- 10	90560-30085	10- 3		10- 62		15- 1
655-45947-01-EL	15- 13	90119-06MA3	2- 38	90386-08032	10- 6	91490-16010	10- 58		11- 4		19- 27
655-45949-00-EL	15- 13	90119-06MA4	2- 42		10- 27	91490-30030	15- 12		12- 21		19- 37
647-48330-50	11- 10	90119-06M15	2- 9	90386-12069	1- 14	91690-30008	12- 37		12- 25	93604-18080	14- 36
617-48331-91	11- 14	90119-06M16	2- 10	90387-06M11	12- 12	91690-30010	3- 13		13- 5	93605-08041	2- 8
647-48340-50	11- 16	90119-06M19	9- 2	90387-06504	7- 38	91690-30012	11- 15		13- 8		13- 3
617-48346-90	11- 11	90119-06M34	7- 7	90387-14108	14- 4		11- 21		13- 13	93605-29098	14- 51
647-48346-50	11- 17	90119-06M87	7- 39	90430-06M03	14- 13	91690-40016	10- 46		14- 22	93700-06M03	12- 18
617-48361-91	11- 20	90119-06023	2- 43		19- 3	91690-40020	7- 5		14- 28		13- 9
655-48501-02	11- 1	90119-06048	2- 35	90430-08020	14- 11	92902-04100	8- 13		14- 38	94702-00217	2- 44
655-48501-10	11- 1	90149-05M13	10- 19		19- 2	92902-05100	8- 9		15- 6	94702-00271	2- 44
700-48510-12	11- 22	90149-06003	14- 12	90445-07M02	2- 11	92903-06600	4- 5		19- 29	95303-06600	7- 9
676-48511-10	11- 23	90151-06M01	2- 19	90445-07258	2- 12		17- 14		19- 39	95380-03600	5- 36
655-48531-51	11- 2	90152-05M02	14- 7	90445-09082	6- 10	92903-10600	10- 20	93101-14M01	2- 28	95380-04700	4- 14
647-48534-50	11- 5	90159-05038	8- 10	90445-09163	6- 11	92990-04600	4- 13		18- 12	95380-06600	10- 39
655-48541-00-4D	10- 34	90159-05039	8- 7	90445-10M03	2- 15	92990-05100	10- 55	93101-15074	14- 25		11- 9
663-81910-10	17- 15	90170-06011	10- 24	90445-11M05	16- 11	92990-05200	10- 43		19- 8		12- 13
648-81970-41	17- 5	90170-10113	8- 16	90445-11M06	16- 9	92990-05600	4- 18	93101-18050	14- 19	95380-06700	4- 7
676-81970-00	17- 9	90179-06045	10- 23	90445-11262	15- 8	92990-06100	10- 38		19- 5	95380-08600	6- 9
677-81975-00	17- 11	90185-06062	10- 8	90464-07015	2- 13	92990-06200	10- 57	93101-20M29	2- 27	95627-06325	4- 19
648-81977-40	17- 6	90185-10051	11- 26	90467-06016	2- 14	92990-06300	14- 16		18- 13	95895-06012	14- 15
648-81978-40	17- 7		12- 9	90467-08004	6- 12		15- 4	93102-20M25	2- 22	95895-06016	15- 3
648-82151-41	17- 8	90201-06060	7- 8	90467-09M09	2- 16	92990-06600	10- 37		18- 10	97013-06010	17- 13
663-82151-00	17- 10	90201-06068	1- 16	90468-10003	12- 53		12- 14	93210-08287	16- 14	97013-06018	4- 4
6E3-82370-21	9- 15	90201-10M66	12- 8	90468-10004	4- 12	92990-08600	11- 12		16- 16	97075-08035	12- 60
682-82370-00	9- 15	90201-10120	7- 32	90468-10005	7- 41		11- 18	93210-09165	10- 52	97075-10040	11- 24
682-82556-00	1- 23	90201-10126	8- 17		10- 44	92990-10600	11- 25	93210-25032	10- 5	97090-05020	10- 54
6E3-8257H-00	1- 27	90201-12565	3- 18		12- 47	92995-05600	8- 21	93210-32738	6- 7	97090-06045	11- 8

NUMERICAL INDEX
INDICE NUMERICO

PART NO. CODIGO NO.	REF. NO.	PART NO. CODIGO NO.	REF. NO.	PART NO. CODIGO NO.	REF. NO.	PART NO. CODIGO NO.	REF. NO.	PART NO. CODIGO NO.	REF. NO.
97095-05014	8 - 26								
97095-05020	11 - 6								
97095-06010	9 - 11								
97095-06012	1 - 17								
	7 - 30								
97095-06016	2 - 30								
	7 - 20								
	8 - 23								
	9 - 4								
97095-06018	2 - 23								
	7 - 27								
	11 - 3								
97095-06020	6 - 2								
	7 - 22								
	10 - 7								
	10 - 10								
	10 - 61								
	13 - 7								
	13 - 12								
	14 - 21								
	14 - 27								
	15 - 5								
	19 - 28								
	19 - 38								
97095-06025	9 - 7								
	12 - 24								
	13 - 4								
97095-06035	7 - 24								
	10 - 28								
97095-06040	10 - 12								
	12 - 20								
	14 - 37								
	19 - 15								
	19 - 23								
97802-04008	8 - 12								
97802-05020	8 - 8								
97880-05020	4 - 17								
97880-05025	17 - 12								
97885-05010	8 - 20								
97890-04005	5 - 20								
98586-05016	16 - 4								
99001-04600	12 - 42								
99001-07600	14 - 42								
99530-10014	2 - 17								

E8DMH
PARTS CATALOGUE
©2002 by Yamaha Motor Co., Ltd.
1st Edition, Aug. 2002
All rights reserved.
Any reprinting or unauthorized use
without the written permission of
Yamaha Motor Co., Ltd.
is expressly prohibited.

E8DMH
CATALOGO DE REPUESTOS
©2002, Yamaha Motor Co., Ltd.
1ª edición, Ag. 2002
Reservados todos los derechos.
Se prohíbe expresamente toda reimpresión
o utilización no autorizada de este manual
sin el consentimiento por escrito de
Yamaha Motor Co., Ltd.