

PARTS CATALOGUE

EK25BMH (69T5)

FOREWORD

This Parts Catalogue is related to the parts for the model(s) on the cover page. When you are ordering replacement parts, please refer to this Parts Catalogue and quote both part numbers and part names correctly.

1. Modifications or additions which have been made after the issue of the Parts Catalogue will be announced in the Parts News.
It is advisable that you make the necessary corrections to the Parts Catalogue according to the Parts News.

2. Abbreviations

The following abbreviations are used in this Parts Catalogue.

- “UR” Use specified parts number.
- “UN” Use as many as needed.
- “AP” Alternate Parts
- “LM” Locally Made (Parts need to be ordered locally)
- “F#” Frame No. (Applicable machine No.)
- “O/S” Over Size

3. The number of components for assembly

- Parts, which are to be supplied in an assembly, are listed with a dot (.) in front of the part name as shown below.
- The numeral appearing to the right of each component part indicates the quantity of parts for each assembly unit.

PART NO.	DESCRIPTION	Q'TY	REMARKS
2F5-83310-60	FRONT FLASHER LIGHT ASSY	2	
115-83311-60	.BULB (6V-18W)	1	

4. Applicable colours of graphics are represented in the “REMARKS” as shown below.

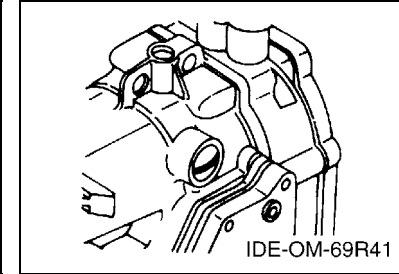
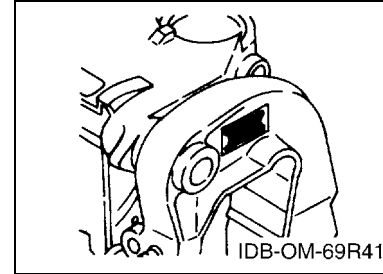
PART NO.	DESCRIPTION	Q'TY	REMARKS
2N4-24110-00-X5	FUEL TANK COMP.	2	MXR
3J1-24240-10	.GRAPHIC, FUEL TANK	1	FOR MXR

5. Note that the illustrations for reference in finding parts numbers are not to be used for assembling. When assembling, please use the applicable service manual.

6. The asterisk (*) before a reference number indicates modified items after the first edition.

7. Applicable Serial No.

Engine Serial No.



8. Applicable Engine Starting Serial No.

Model	Serial No.	Model	Serial No.
EK25B	62CK-1001228		

9. Applicable Colour Code

Abbreviation	Colour Name	Colour Code
DBNM2	DARK BLUISH GRAY METALLIC 2	004D

10. Quantity Column Information

Column No.	Name Of Q'ty Column	Applicable Model
1	69T5	EK25BMH

CONTENTS

TOP COWLING	A4
CYLINDER & CRANKCASE	A5
CRANKSHAFT & PISTON	A7
INTAKE	B1
CARBURETOR	B3
FUEL 1	B6
FUEL 2	C1
STARTER	C2
GENERATOR	C4
ELECTRICAL	C5
BOTTOM COWLING	C7
STEERING	D1
CONTROL	D2
BRACKET 1	D4
BRACKET 2	D6
UPPER CASING	E1
LOWER CASING & DRIVE 1	E3
LOWER CASING & DRIVE 2	E7
FUEL TANK	F1
REPAIR KIT 1	F2
REPAIR KIT 2	F4

INDEX

NUMERICAL INDEX	G1
-----------------------	----

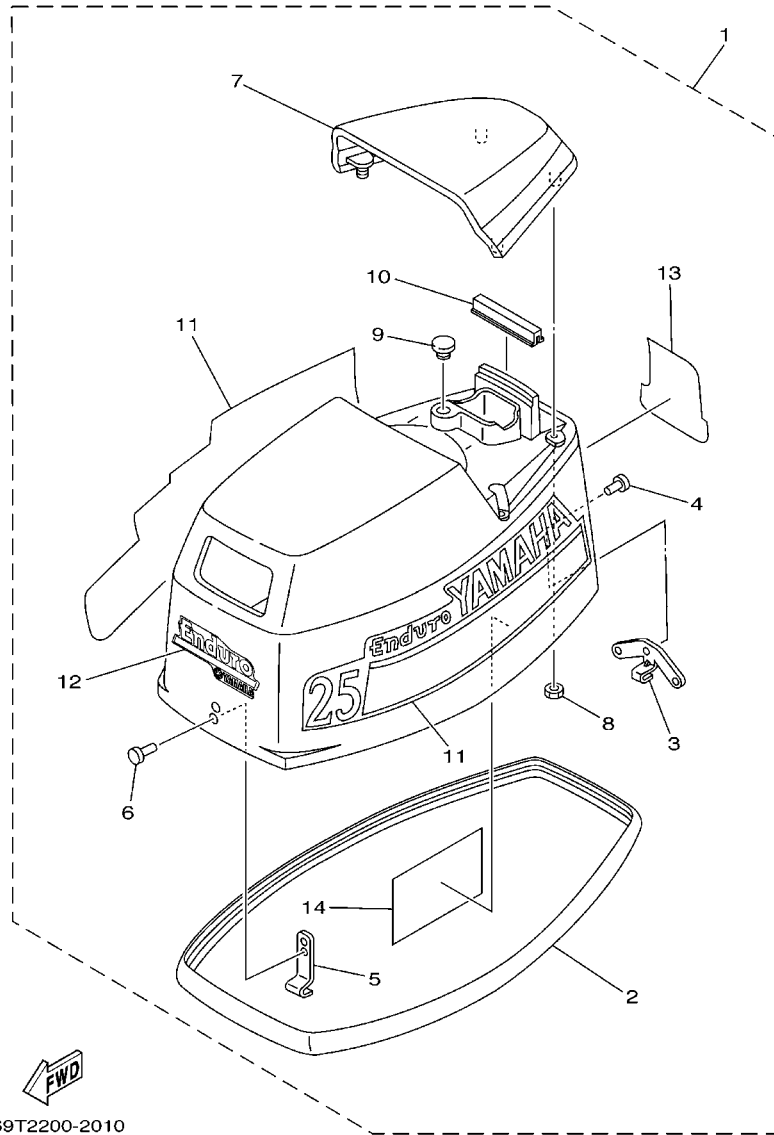


FIG. 1 TOP COWLING

REF. NO.	PART NO.	DESCRIPTION	69T5				REMARKS
1	69T-42610-K0-4D	TOP COWLING ASSY	1				
2	6G0-42615-00	.SEAL	1				
3	689-42647-00	.HOLDER, CLAMP BAND	1				
4	90266-04M01	.RIVET	3				
5	6G0-42651-02	.HOOK	1				
6	90266-04M00	.RIVET	2				
7	69P-42613-00-4D	.MOLDING, AIR DUCT	1				
8	90179-06M24	.NUT	4				
9	90480-14M14	.GROMMET	1				
10	61N-42628-00	.SEAL	1				
11	61N-W0070-H0	.GRAPHIC SET	1				
12	69P-42677-H0	.GRAPHIC, FRONT	1				
13	62C-42678-K0	.GRAPHIC, REAR	1				
14	6B8-13437-00	.MARK, CAUTION	1				

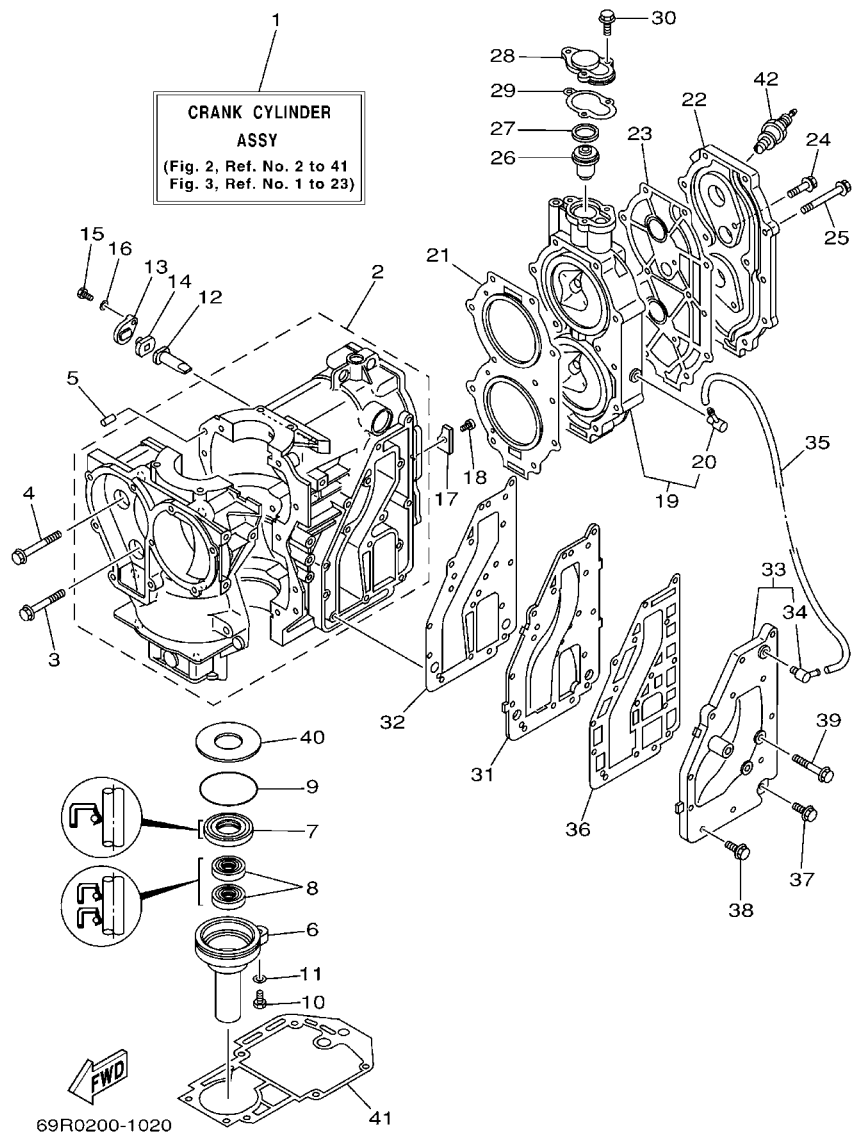


FIG. 2 CYLINDER & CRANKCASE

REF. NO.	PART NO.	DESCRIPTION	69T5				REMARKS
1	69T-W0090-00-1S	CRANK CYLINDER ASSY	1				
2	69P-15100-00-1S	CRANKCASE ASSY	1				
3	90119-08009	BOLT, WITH WASHER	2				
4	90119-08M65	BOLT, WITH WASHER	8				
5	93606-12019	PIN, DOWEL	2				
6	689-15396-01-5B	HOUSING, OIL SEAL	1				
7	93102-25008	OIL SEAL	1				
8	93101-16001	OIL SEAL	2				
9	93210-58M21	O-RING	1				
10	97095-06022	BOLT	1				
11	92995-06600	WASHER	1				
12	6J8-11325-00	ANODE	1				
13	6H3-11327-00-1S	COVER, ANODE	1				
14	6H3-11328-00	GROMMET, ANODE	1				
15	97013-06016	BOLT	1				
16	92903-06600	WASHER, PLATE	1				
17	689-11325-00	ANODE	1				
18	90151-06M02	SCREW, COUNTERSUNK	1				
19	62C-11111-00-1S	HEAD, CYLINDER 1	1				
20	676-11372-00	.NIPPLE, HOSE	1				
21	61N-11181-A1	GASKET, CYLINDER HEAD 1	1				
22	61N-11191-01-1S	COVER, CYLINDER HEAD 1	1				
23	61T-11193-A1	GASKET, HEAD COVER 1	1				
24	90119-06MA2	BOLT, WITH WASHER	2				
25	90119-08015	BOLT, WITH WASHER	11				
26	6F5-12411-03	THERMOSTAT	1				
27	90201-21567	WASHER, PLATE	1				

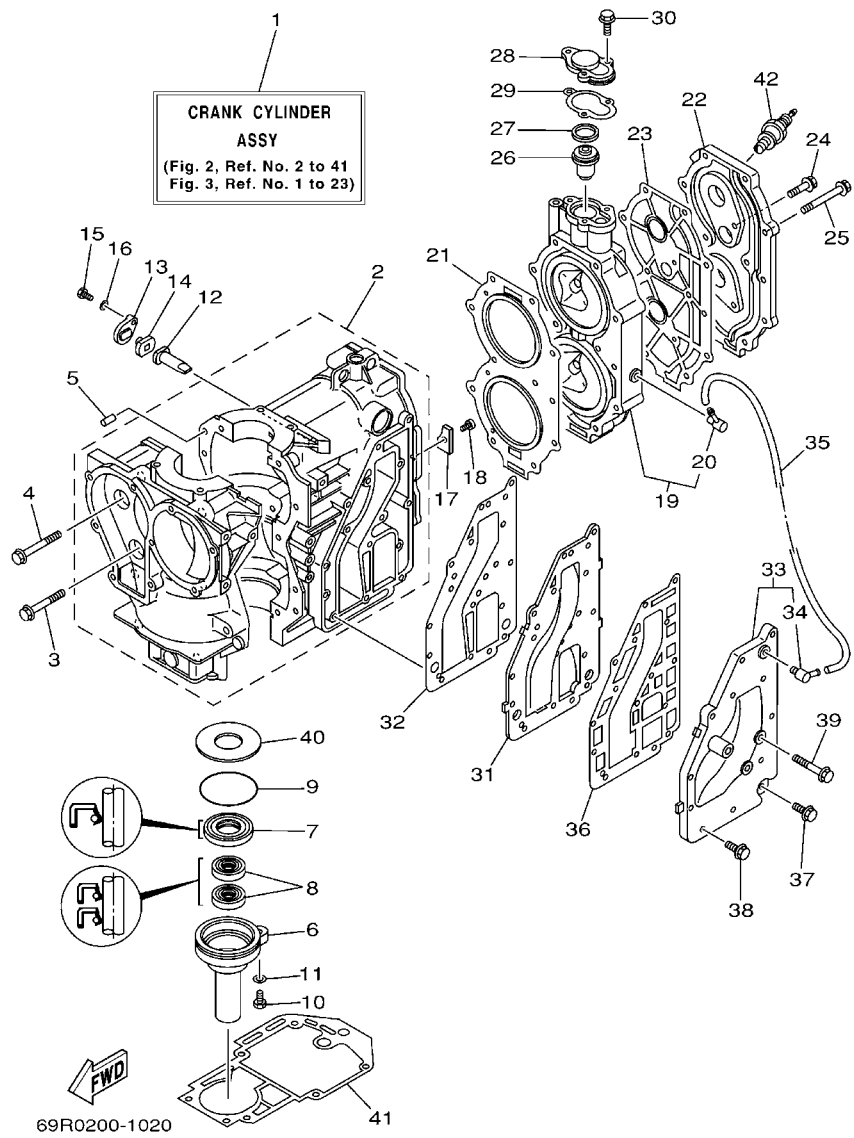
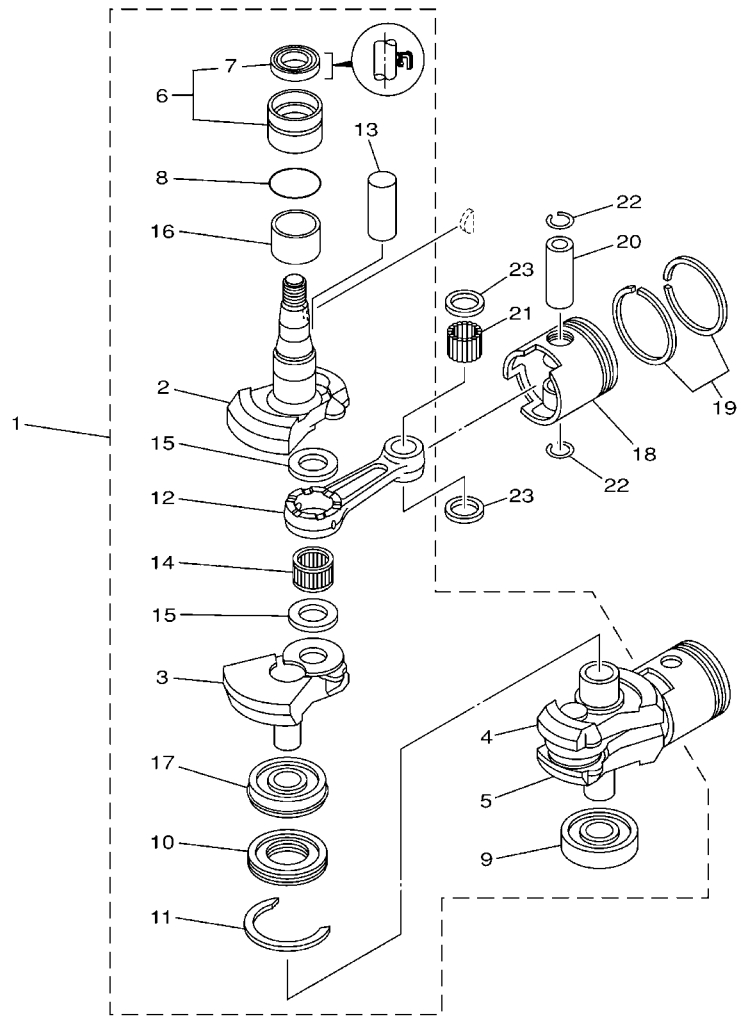


FIG. 2 CYLINDER & CRANKCASE

REF. NO.	PART NO.	DESCRIPTION	69T5				REMARKS
28	655-12413-01-1S	COVER, THERMOSTAT	1				
29	655-12414-A1	GASKET, COVER	1				
30	90119-06MA2	BOLT, WITH WASHER	3				
31	6K8-41121-00-1S	INNER COVER, EXHAUST	1				
32	6K8-41122-A1	GASKET, EXHAUST INNER COVER	1				
33	61N-41123-00-1S	OUTER COVER, EXHAUST	1				
34	676-11372-00	.NIPPLE, HOSE	1				
35	90445-10M41	HOSE (L105)	1				
36	6K8-41124-A1	GASKET, EXHAUST OUTER COVER	1				
37	90119-06MA3	BOLT, WITH WASHER	1				
38	90119-06MA4	BOLT, WITH WASHER	11				
39	90119-06MA0	BOLT, WITH WASHER	3				
40	90201-50306	WASHER, PLATE	1				
41	689-45113-A1	GASKET, UPPER CASING	1				
42	94702-00217	PLUG, SPARK (NGK B7HS-10)	2				




 69R0010-1030

FIG. 3 CRANKSHAFT & PISTON

REF. NO.	PART NO.	DESCRIPTION	69T5				REMARKS
1	69T-11400-00	CRANKSHAFT ASSY	1				
2	69P-11412-00	.CRANK 1	1				
3	61N-11422-00	.CRANK 2	1				
4	61N-11432-00	.CRANK 3	1				
5	61N-11442-00	.CRANK 4	1				
6	93399-99951	.BEARING	1				
7	93102-32M07	..OIL SEAL	1				
8	93210-46M16	.O-RING	1				
9	93306-305U3	.BEARING	1				
10	61N-11515-00	.SEAL, LABYRINTH 1	1				
11	93440-62057	.CIRCLIP	1				
12	689-11651-00	.ROD, CONNECTING	2				
13	689-11681-01	.PIN, CRANK 1	2				
14	93310-62406	.BEARING	2				
15	90202-24M32	.WASHER, PLATE	4				
16	90387-32002	.COLLAR	1				
17	93390-00009	.BEARING	1				
18	61N-11631-00-95	PISTON (STD)	2				
	61N-11635-00	PISTON (0.25MM O/S)	2				AP
	61N-11636-00	PISTON (0.50MM O/S)	2				AP
19	61N-11603-00	PISTON RING SET (STD)	2				
	61N-11604-00	PISTON RING SET (0.25MM O/S)	2				AP
	61N-11605-00	PISTON RING SET (0.50MM O/S)	2				AP
20	689-11633-00	PIN, PISTON	2				
21	93602-20M02	PIN, DOWEL	68				
22	688-11634-00	CLIP, PISTON PIN	4				
23	90201-20M27	WASHER, PLATE	4				

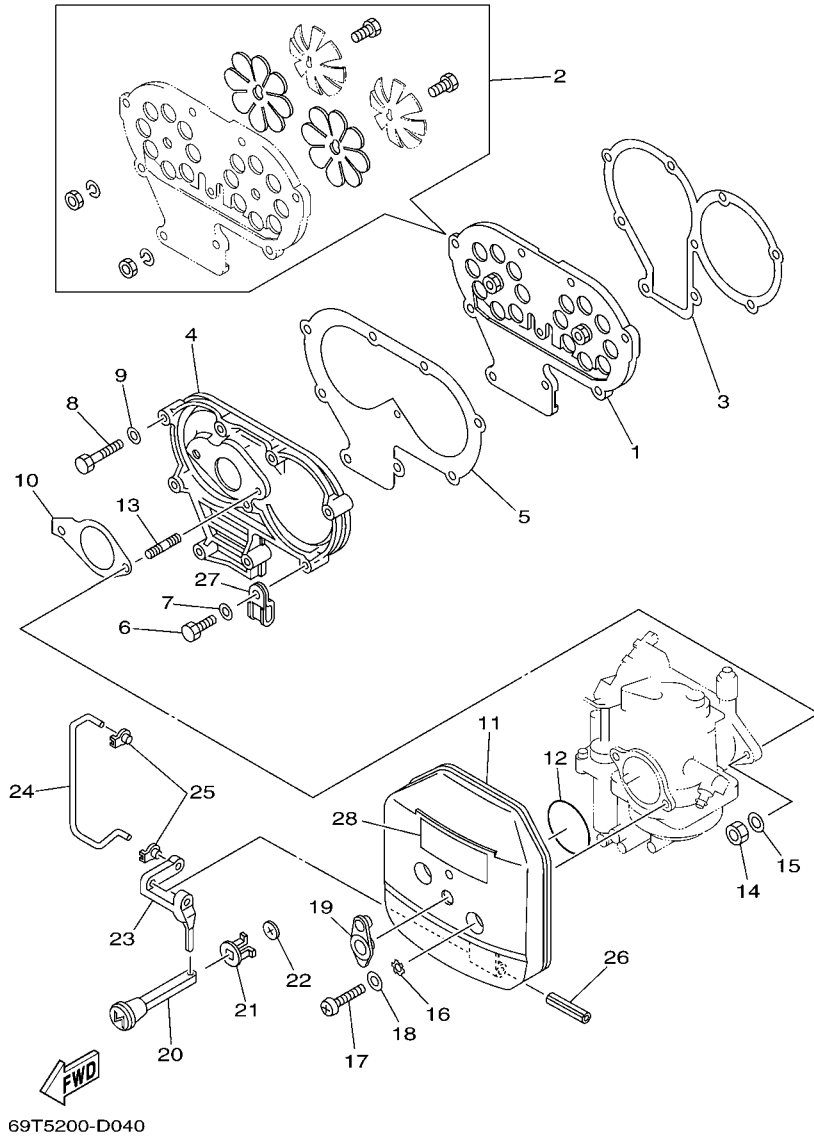
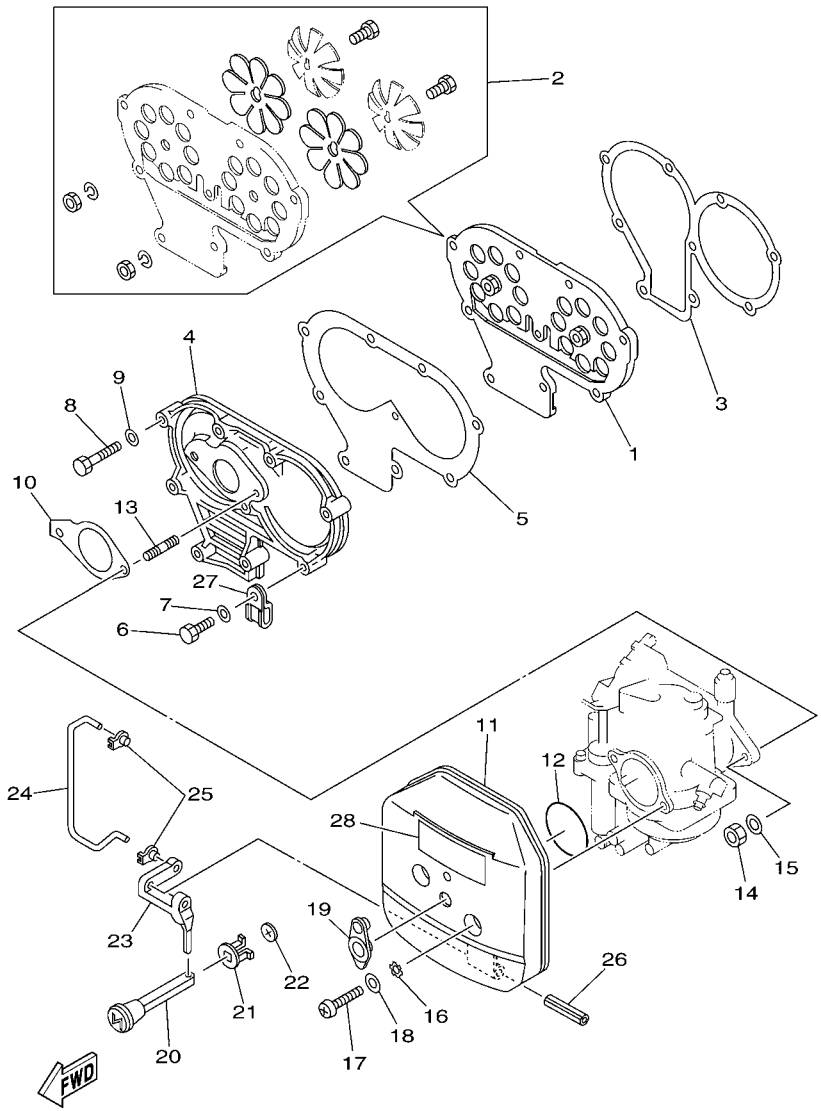


FIG. 4 INTAKE

REF. NO.	PART NO.	DESCRIPTION	69T5				REMARKS
1	6J0-13610-00	REED VALVE ASSY	1				
2	689-W0004-60	.REED SET	1				
3	648-13621-A1	GASKET, VALVE SEAT	1				
4	648-13641-02-1S	MANIFOLD 1	1				
5	648-13645-A0	GASKET, MANIFOLD 1	1				
6	97013-06025	BOLT	2				
7	92903-06600	WASHER, PLATE	2				
8	97013-06035	BOLT	7				
9	92903-06600	WASHER, PLATE	7				
10	648-14198-00	GASKET	1				
11	62C-14440-01	SILENCER ASSY, INTAKE	1				
12	93210-39M89	O-RING	1				
13	90116-06M08	BOLT, STUD	2				
14	95380-06600	NUT, HEXAGON	2				
15	92995-06600	WASHER	2				
16	90209-05M24	WASHER	2				
17	97880-05030	SCREW, PAN HEAD	2				
18	92990-05600	WASHER, PLATE	2				
19	62C-14435-00	GROMMET	1				
20	682-41271-00	KNOB, CHOKE	1				
21	689-41273-00	GROMMET	1				
22	6J8-41274-00	GROMMET 2	1				
23	6J0-41252-00	LEVER, CHOKE 1	1				
24	62C-41256-00	ROD, CHOKE 1	1				
25	661-41262-02	JOINT, CHOKE LEVER	2				
26	91690-40040	PIN, SPRING	1				
27	90461-06M01	CLAMP	1				

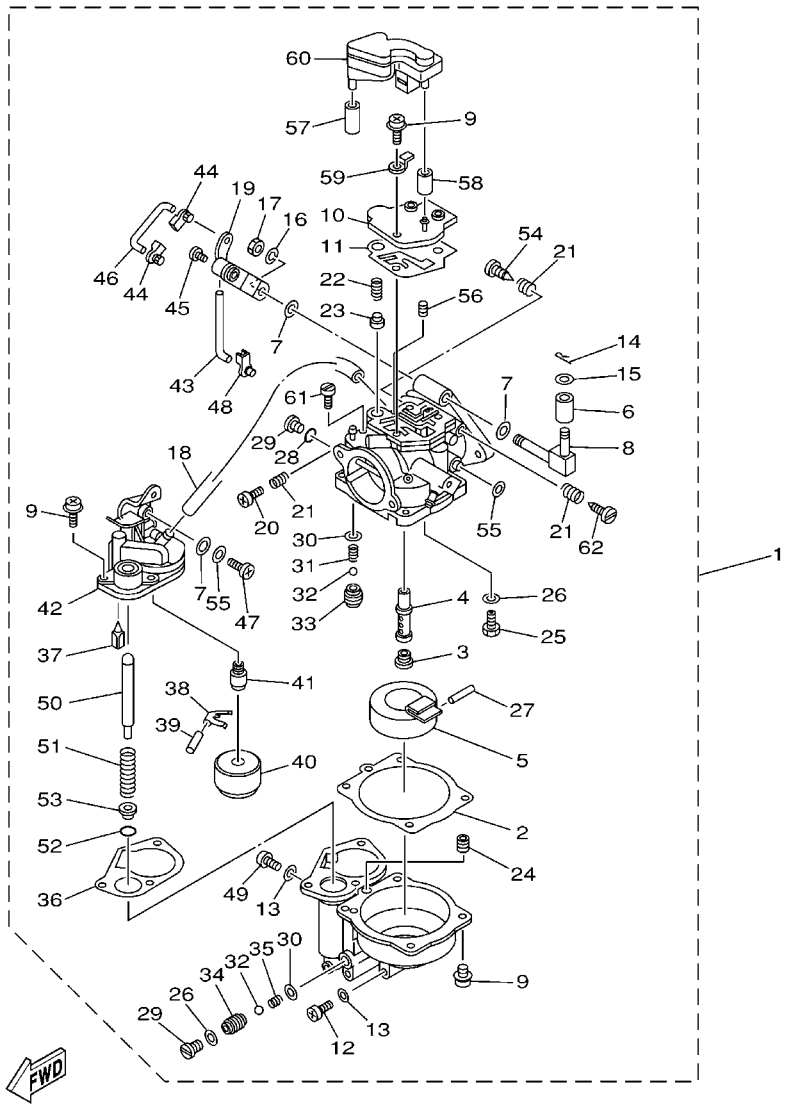


69T5200-D040

FIG. 4 INTAKE

REF. NO.	PART NO.	DESCRIPTION	69T5				REMARKS
28	6A1-83625-41	MARK 5	1				

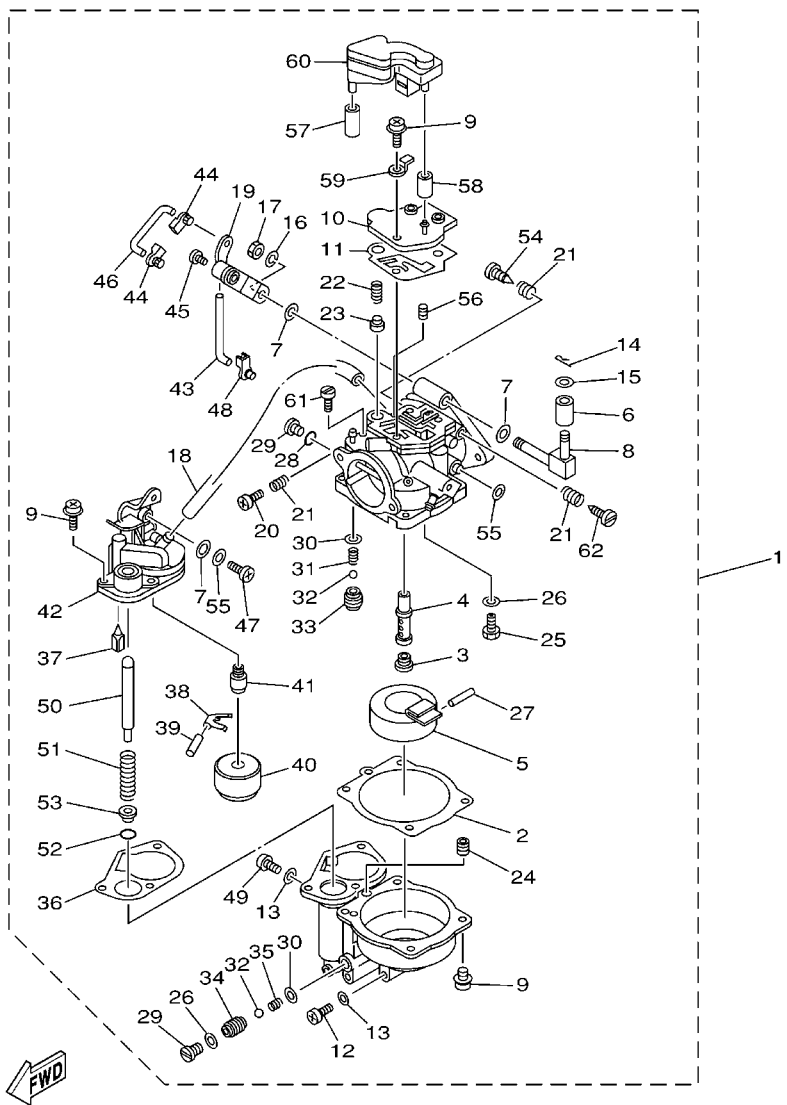
FIG. 5 CARBURETOR



69T0200-1050

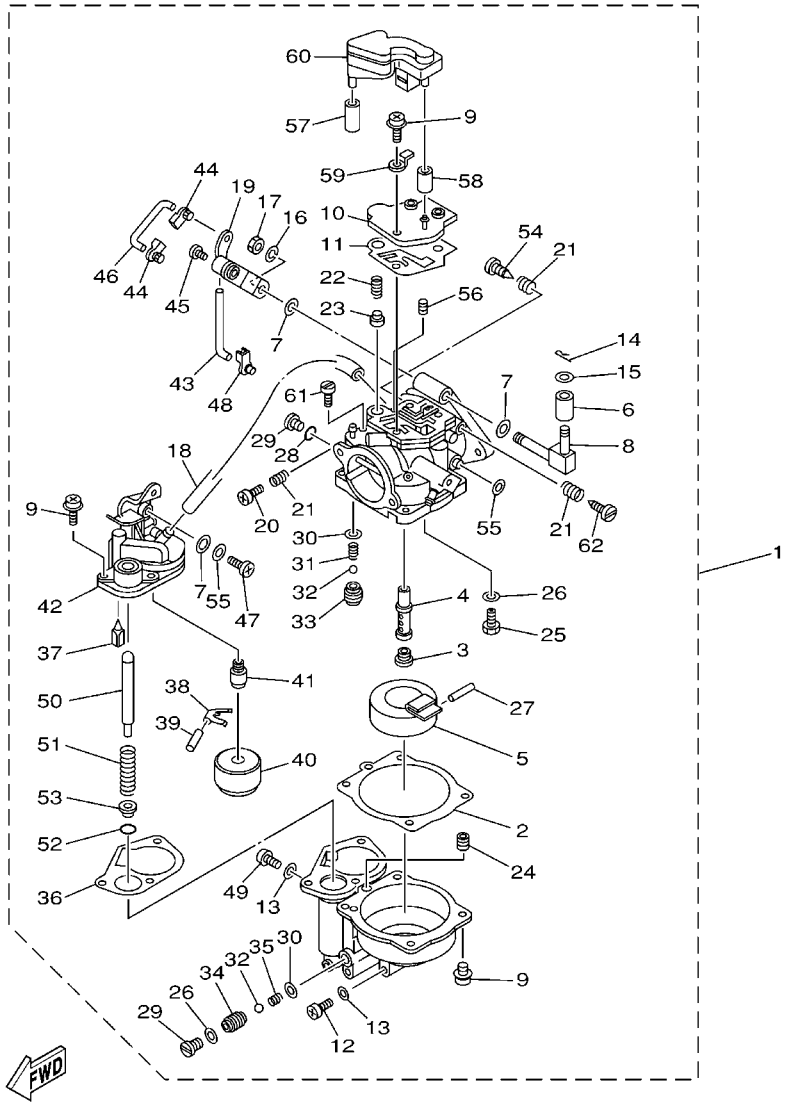
REF. NO.	PART NO.	DESCRIPTION	69T5				REMARKS
1	69T-14301-00	CARBURETOR ASSY 1	1				
2	6A4-14384-00	.GASKET, FLOAT CHAMBER	1				
3	648-14343-78	.JET, MAIN (#155)	1				
4	6J0-14341-00	.NOZZLE, MAIN	1				
5	648-14385-00	.FLOAT	1				
6	69T-41231-00	.COLLAR, GUIDE PIN	1				
7	69T-14367-00	.COLLAR	3				
8	69T-41216-00	.SHEAVE SHAFT, ACCEL. LINK	1				
9	97980-04112	.SCREW, WITH WASHER	10				
10	6A4-14346-01	.PLATE	1				
11	6A4-14398-01	.GASKET	1				
12	98580-04015	.SCREW, PAN HEAD	1				
13	6L2-14398-00	.GASKET	2				
14	91490-16010	.PIN, COTTER	1				
15	62Y-14597-00	.WASHER	1				
16	92990-05100	.WASHER, SPRING	1				
17	95380-05700	.NUT	1				
18	6J0-14348-00	.PIPE 1	1				
19	69T-14310-00	.ACCEL ARM ASSY	1				
20	664-14321-01	.SCREW, THROTTLE	1				
21	646-14212-01	.SPRING, PILOT ADJUSTING	3				
22	656-14335-00	.SPRING, PLUNGER	1				
23	62C-14371-00	.PLUNGER, STARTER	1				
24	6J0-14344-43	.JET, STARTER (# 86)	1				
25	6J0-14390-14	.NEEDLE VALVE ASSY	1				
26	367-14195-00	.GASKET	2				
27	689-14386-00	.PIN, FLOAT	1				

FIG. 5 CARBURETOR



69T0200-1050

REF. NO.	PART NO.	DESCRIPTION	69T5				REMARKS
28	652-14397-00	.O-RING	1				
29	6A4-14394-00	.SCREW, DRAIN	2				
30	6F5-14372-01	.SEAT, PACKING	2				
31	6F5-14332-01	.SPRING	1				
32	6A4-14369-01	.BALL	2				
33	6A4-14355-00	.SEAT, BALL	1				
34	6A4-14355-10	.SEAT, BALL	1				
35	6A4-14332-00	.SPRING, AIR VALVE	1				
36	6J0-14384-00	.GASKET, FLOAT CHAMBER	1				
37	62C-14392-00	.VALVE, NEEDLE	1				
38	6J0-14387-00	.ARM, FLOAT	1				
39	6A4-14386-00	.PIN, FLOAT	1				
40	652-14385-00	.FLOAT	1				
41	6J0-14342-24	.JET, PILOT (# 48)	1				
42	6J0-14182-00	.COVER, FLOAT CHAMBER	1				
43	6J0-14379-10	.ROD, STARTER	1				
44	6F5-41262-01	.JOINT, THROTTLE LEVER	2				
45	677-14327-01	.SCREW	1				
46	62C-14379-00	.ROD, STARTER	1				
47	6J0-14329-01	.SCREW	1				
48	661-41262-02	.JOINT, CHOKE LEVER	1				
49	97890-04005	.SCREW, PAN HEAD	1				
50	69T-14370-00	.PLUNGER STARTER ASSY	1				
51	6A4-14339-01	.SPRING	1				
52	652-14147-00	.O-RING	1				
53	6A4-13945-00	.CHECK VALVE ASSY.	1				
54	647-14323-00	.SCREW, AIR ADJUSTING	1				



69T0200-1050

FIG. 5 CARBURETOR

REF. NO.	PART NO.	DESCRIPTION	69T5				REMARKS
55	6L2-14357-00	.WASHER, PLAIN	2				
56	6J0-14353-25	.JET, PILOT (# 50)	1				
57	90445-09M55	.HOSE (L20)	1				
58	90445-09M69	.HOSE (L15)	1				
59	6A4-14146-00	.PLATE	1				
60	6A4-14225-00	.DAMPER	1				
61	62C-14326-00	.SCREW, GUIDE	1				
62	6J0-14323-00	.SCREW, AIR ADJUSTING	1				

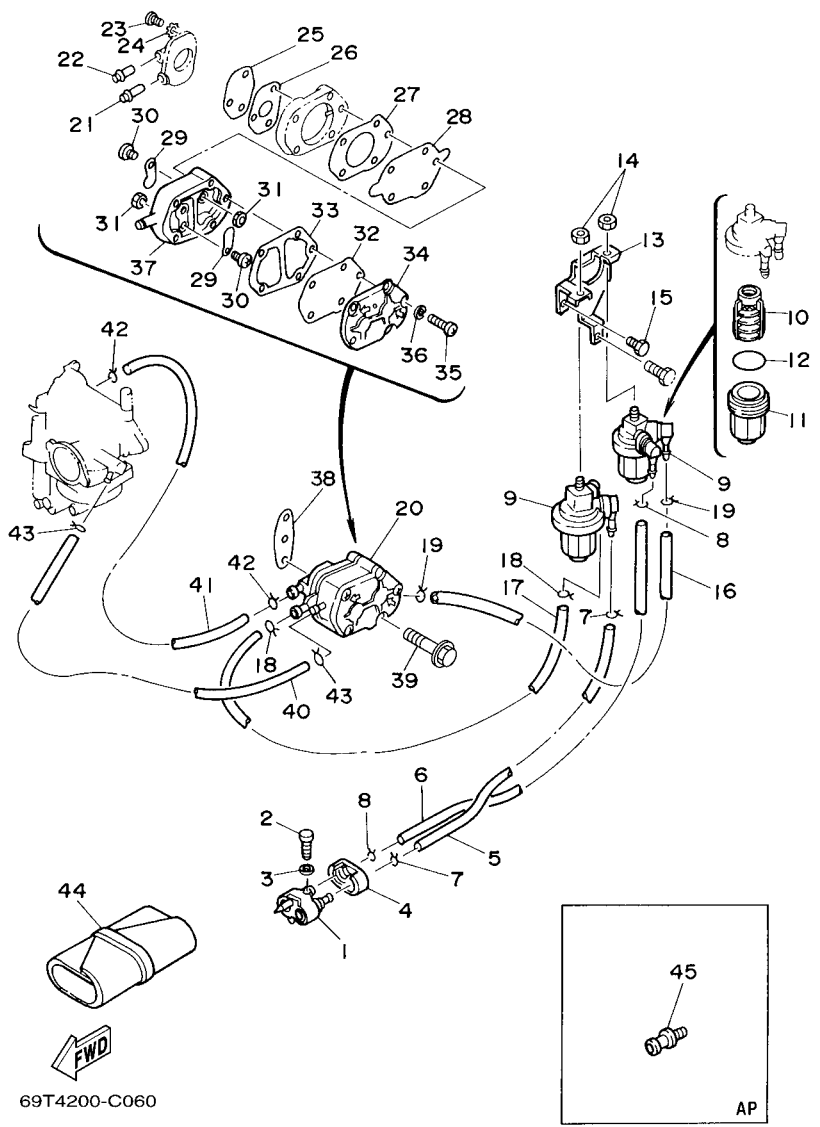


FIG. 6 FUEL 1

REF. NO.	PART NO.	DESCRIPTION	69T5				REMARKS
1	680-24304-01	FUEL PIPE JOINT COMP. 1	1				
2	97095-06020	BOLT	1				
3	92995-06600	WASHER	1				
4	6A4-24329-00	SEAL	1				
5	90445-09M75	HOSE (L370)	1				
6	90445-10M43	HOSE (L400)	1				
7	90467-08004	CLIP	2				
8	90467-09M03	CLIP	2				
9	61N-24560-00	FILTER ASSY	2				
10	61N-24563-00	.ELEMENT, FILTER	1				
11	61N-24521-00	.CUP, FILTER	1				
12	93210-32738	.O-RING	1				
13	62C-24566-01	BRACKET, FILTER	1				
14	95380-08600	NUT	2				
15	97095-06012	BOLT	1				
16	6A4-24314-00	PIPE 4	1				
17	6G0-24311-00	PIPE, FUEL 1	1				
18	90467-08004	CLIP	2				
19	90467-09M03	CLIP	2				
20	62C-24410-00	FUEL PUMP ASSY	1				
21	652-24461-00	.PIPE, JOINT	1				
22	62C-24461-00	.PIPE, JOINT	1				
23	98780-04010	.SCREW, FLAT HEAD	3				
24	92990-04500	.WASHER	3				
25	652-24471-00	.DIAPHRAGM	1				
26	652-24432-00	.GASKET, FUEL PUMP 2	1				
27	648-24434-01	.GASKET, BODY	1				

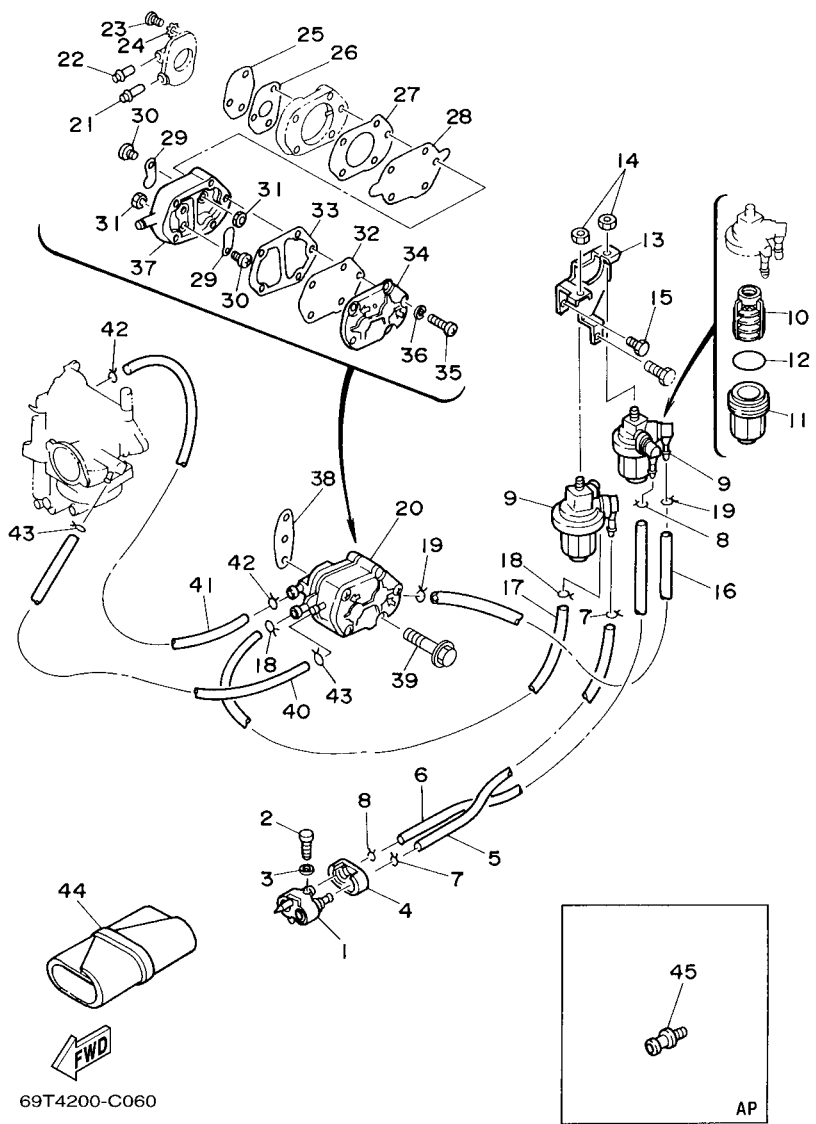
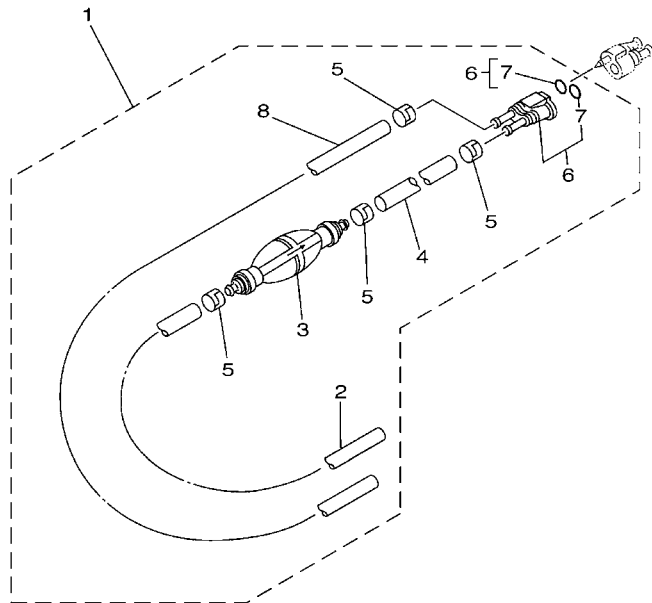


FIG. 6 FUEL 1

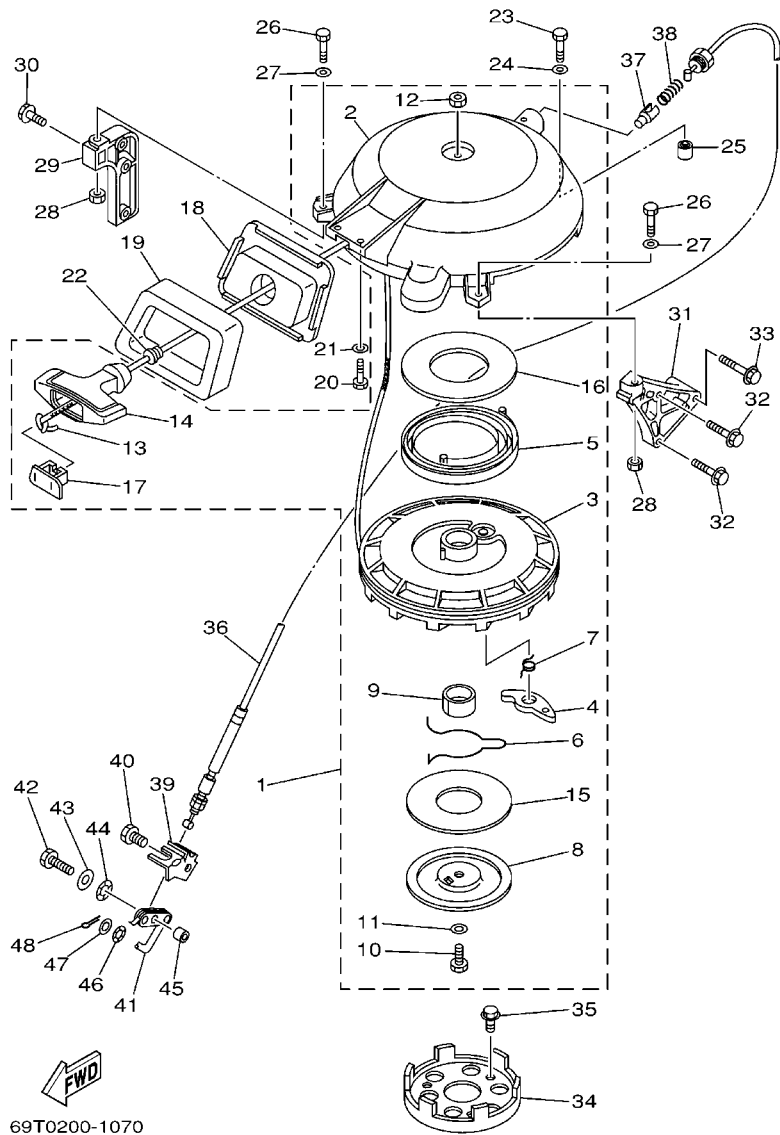
REF. NO.	PART NO.	DESCRIPTION	69T5				REMARKS
28	692-24411-00	.DIAPHRAGM	1				
29	6A0-24421-01	.VALVE, CHECK	2				
30	6A0-14325-00	.SCREW, PAN HEAD	2				
31	95380-03600	.NUT	2				
32	663-24411-00	.DIAPHRAGM	1				
33	648-24435-02	.GASKET, BODY 2	1				
34	6A0-24413-00	.BODY 2	1				
35	98503-05028	.SCREW, PAN HEAD	3				
36	92990-05100	.WASHER, SPRING	3				
37	6A0-24412-02	.BODY 1	1				
38	650-24431-A0	GASKET, FUEL PUMP 1	1				
39	97595-06550	BOLT, WITH WASHER	2				
40	90445-10M42	HOSE (L235)	1				
41	62C-24312-00	PIPE 2	1				
42	90467-08004	CLIP	2				
43	90467-09M03	CLIP	2				
44	656-W2810-02	TOOL KIT	1				
45	6E0-28193-00-94	PLUG, WATER CHECK	1				AP D:12.5MM
	626-28193-01-94	PLUG, WATER CHECK	1				AP D:15MM



6801200-2070

FIG. 7 FUEL 2

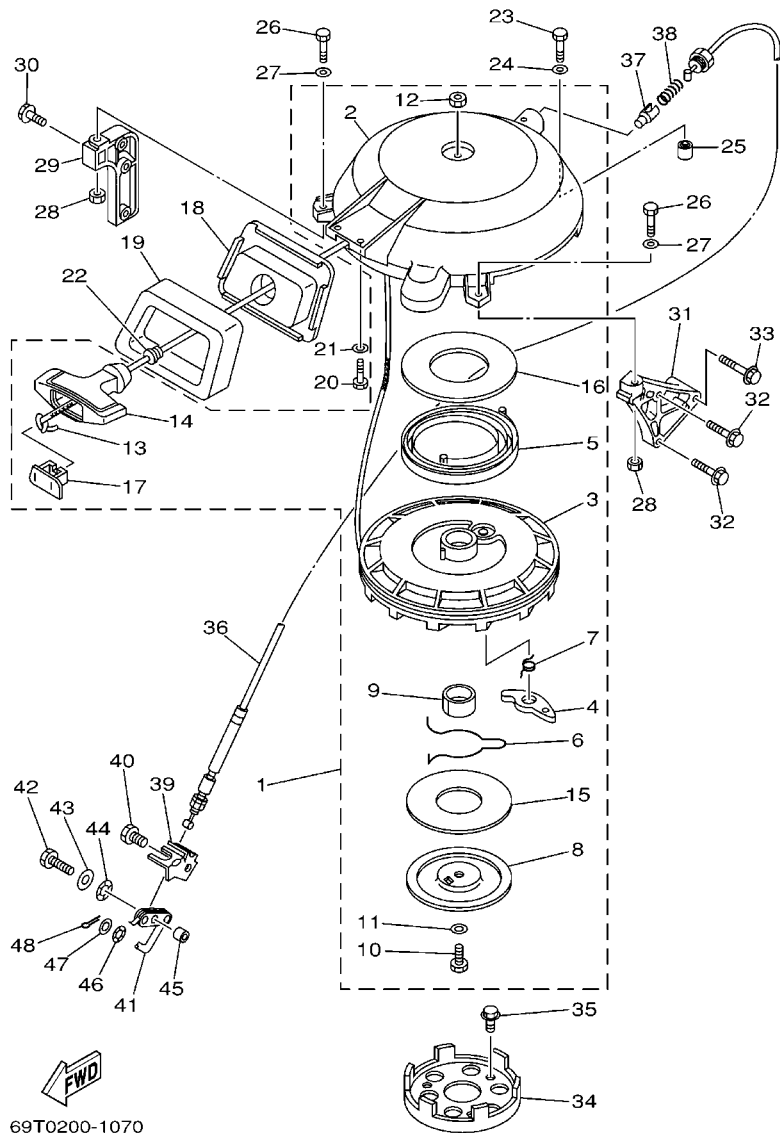
REF. NO.	PART NO.	DESCRIPTION	69T5				REMARKS
1	6Y3-24306-04	FUEL PIPE COMP. 1	1				AP FOR LKA
2	90445-11M06	.HOSE (L2050)	1				
3	61J-24360-00	.PRIMER PUMP ASSY	1				
4	90445-11M05	.HOSE (L850)	1				
5	650-24351-01	.BAND 1	4				
6	680-24305-01	.FUEL PIPE JOINT COMP. 2	1				
7	93210-08287	..O-RING	2				
8	90445-11M81	.HOSE (L3000)	1				



69T0200-1070

FIG. 8 STARTER

REF. NO.	PART NO.	DESCRIPTION	69T5				REMARKS
1	61N-W1571-11	STARTER ASSY	1				
2	61N-15711-10	.CASE, STARTER	1				
3	6G0-15714-01	.DRUM, SHEAVE	1				
4	6F5-15741-01	.PAWL, DRIVE	1				
5	6F5-15713-01	.SPRING, STARTER	1				
6	61N-15715-00	.SPRING, FRICTION	1				
7	61N-15734-00	.SPRING, RETURN	1				
8	6F5-15716-01	.PLATE, DRIVE	1				
9	6G0-15754-00	.BUSH 2	1				
10	97013-08030	.BOLT	1				
11	6F5-15726-01	.WASHER, FLAT	1				
12	95303-08700	.NUT	1				
13	*	.WIRE (L:1900MM)	1				*1
14	689-15755-01	.HANDLE, STARTER	1				
15	6F5-15764-00	.COLLAR 1	1				
16	6F5-15739-00	.WASHER, THRUST	1				
17	6F5-15779-02	.COVER	1				
18	61N-15758-01-4D	GUIDE, ROPE	1				
19	61N-15762-00	SEAL, RUBBER 2	1				
20	97095-06016	BOLT	2				
21	92995-06600	WASHER	2				
22	6A0-15789-00	DAMPER	1				
23	97095-06035	BOLT	1				
24	92995-06600	WASHER	1				
25	99530-10014	PIN, DOWEL	1				
26	97095-06035	BOLT	2				
27	92995-06600	WASHER	2				

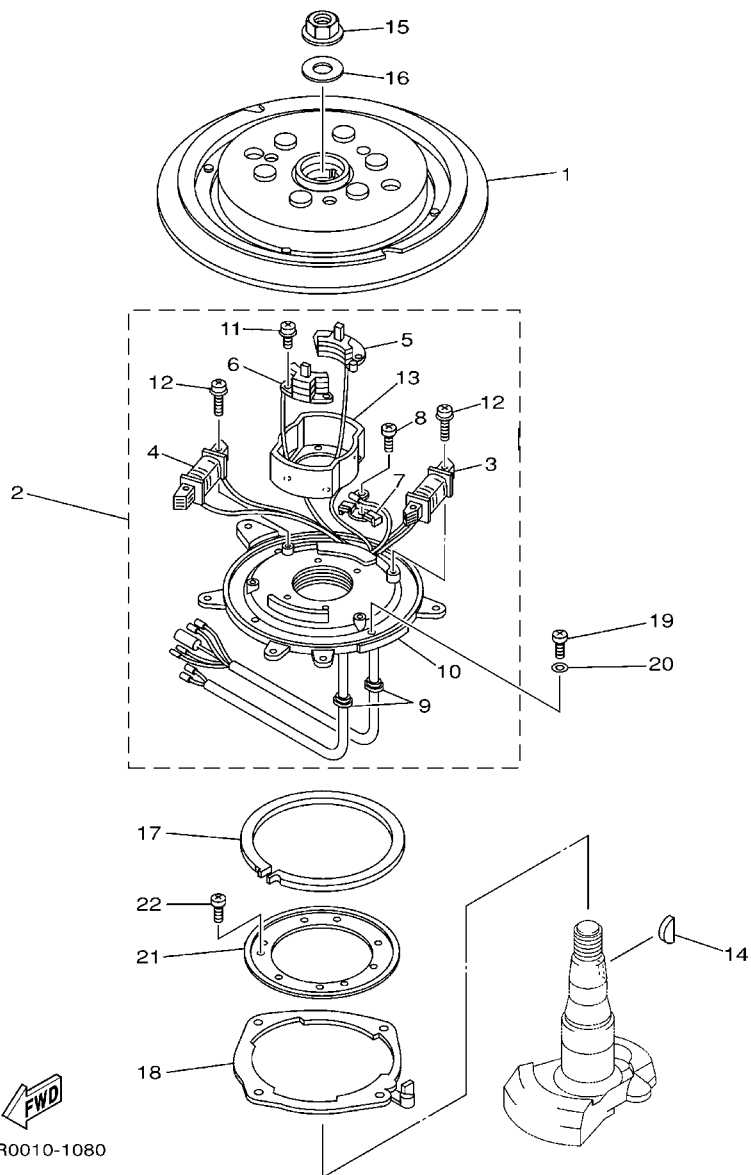


69T0200-1070

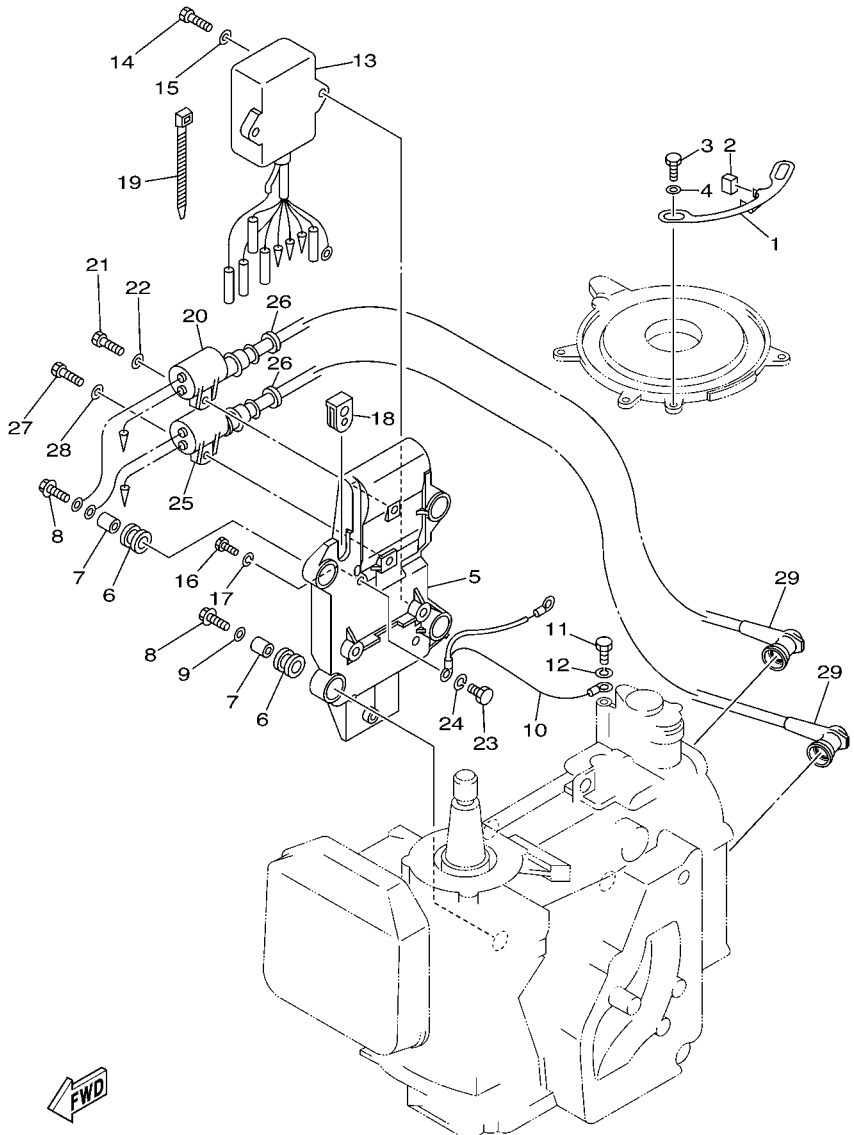
FIG. 8 STARTER

REF. NO.	PART NO.	DESCRIPTION	69T5				REMARKS
28	95380-06600	NUT, HEXAGON	2				
29	656-15771-00-94	STAY 1	1				
30	90119-06MA3	BOLT, WITH WASHER	2				
31	656-15772-00-94	STAY 2	1				
32	90119-06MA3	BOLT, WITH WASHER	2				
33	90119-06025	BOLT, WITH WASHER	1				
34	6F5-15723-01	PULLEY, STARTER	1				
35	90105-08M10	BOLT, FLANGE	3				
36	61T-15770-00	CABLE COMP., STARTER STOP	1				
37	656-15748-00	PLUNGER, STARTER STOP	1				
38	90501-10227	SPRING, COMPRESSION	1				
39	61T-15774-40-94	STAY 4	1				
40	97095-06010	BOLT	1				
41	656-15749-00	LINK, STARTER STOP	1				
42	97095-06020	BOLT	1				
43	92903-06600	WASHER, PLATE	1				
44	90206-08010	WASHER, WAVE	1				
45	90387-06568	COLLAR	1				
46	90206-05005	WASHER, WAVE	1				
47	92903-05600	WASHER, PLATE	1				
48	91490-16010	PIN, COTTER	1				

FIG. 9 GENERATOR



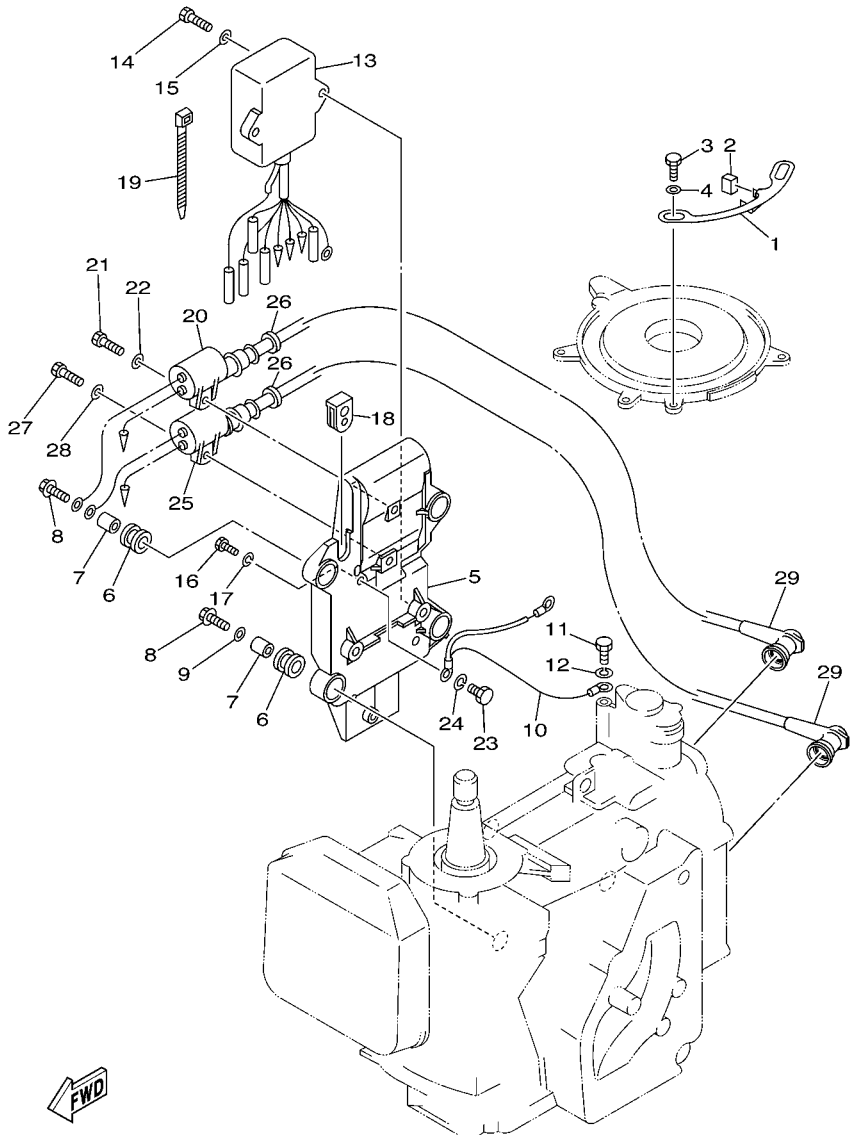
REF. NO.	PART NO.	DESCRIPTION	69T5				REMARKS
1	61N-85550-10	ROTOR ASSY	1				
2	69P-85560-00	BASE ASSY	1				
3	69P-85541-09	.COIL, CHARGE	1				
4	61N-81313-09	.COIL, LIGHTING 1	1				
5	61N-85543-09	.COIL, PULSER	1				
6	61N-85543-19	.COIL, PULSER	1				
7	6E9-81328-70	.CLAMP	1				
8	97802-04006	.SCREW, PAN HEAD	1				
9	6E9-85516-70	.GROMMET	2				
10	69P-85561-00	.BASE, MAGNETO	1				
11	97607-04112	.SCREW,WITH WASHER	4				
12	97607-06125	.SCREW,WITH WASHER	4				
13	61N-85537-00	.COVER	1				
14	90280-05015	KEY, WOODRUFF	1				
15	90179-16M05	NUT	1				
16	90201-16M44	WASHER, PLATE	1				
17	676-41611-00	RETAINER, MAGNETO BASE	1				
18	676-41613-00	PLATE, BASE FRICTION	1				
19	97880-05012	SCREW, PAN HEAD	4				
20	92990-05600	WASHER, PLATE	4				
21	689-41612-01	RETAINER, MAGNETO BASE	1				
22	97880-06010	SCREW, PAN HEAD	4				



69T3200-3090

FIG. 10 ELECTRICAL

REF. NO.	PART NO.	DESCRIPTION	69T5				REMARKS
1	62C-41615-00	STOPPER, MAGNETO BASE	1				
2	695-44194-00	CAP	2				
3	97095-06010	BOLT	2				
4	92995-06600	WASHER	2				
5	61N-85542-00-94	BRACKET	1				
6	61N-82317-00	DAMPER, IGNITION COIL	4				
7	624-42542-00	PIPE	4				
8	90119-06M95	BOLT, WITH WASHER	4				
9	90201-06M30	WASHER, PLATE	2				
10	61N-82519-01	WIRE, EARTH LEAD	1				
11	97090-06012	BOLT	1				
12	92990-06100	WASHER, SPRING	1				
13	61N-85540-13	C.D.I. UNIT ASSY	1				
14	97095-06020	BOLT	2				
15	92995-06600	WASHER	2				
16	97090-06012	BOLT	1				
17	92990-06100	WASHER, SPRING	1				
18	6H3-81922-00	GROMMET	1				
19	90465-13M11	CLAMP	1				
20	61N-85570-00	IGNITION COIL ASSY	1				
21	97095-06020	BOLT	1				
22	92995-06600	WASHER	1				
23	97090-06012	BOLT	1				
24	92990-06100	WASHER, SPRING	1				
25	61N-85570-10	IGNITION COIL ASSY	1				
26	90480-25161	GROMMET	2				
27	97095-06020	BOLT	1				

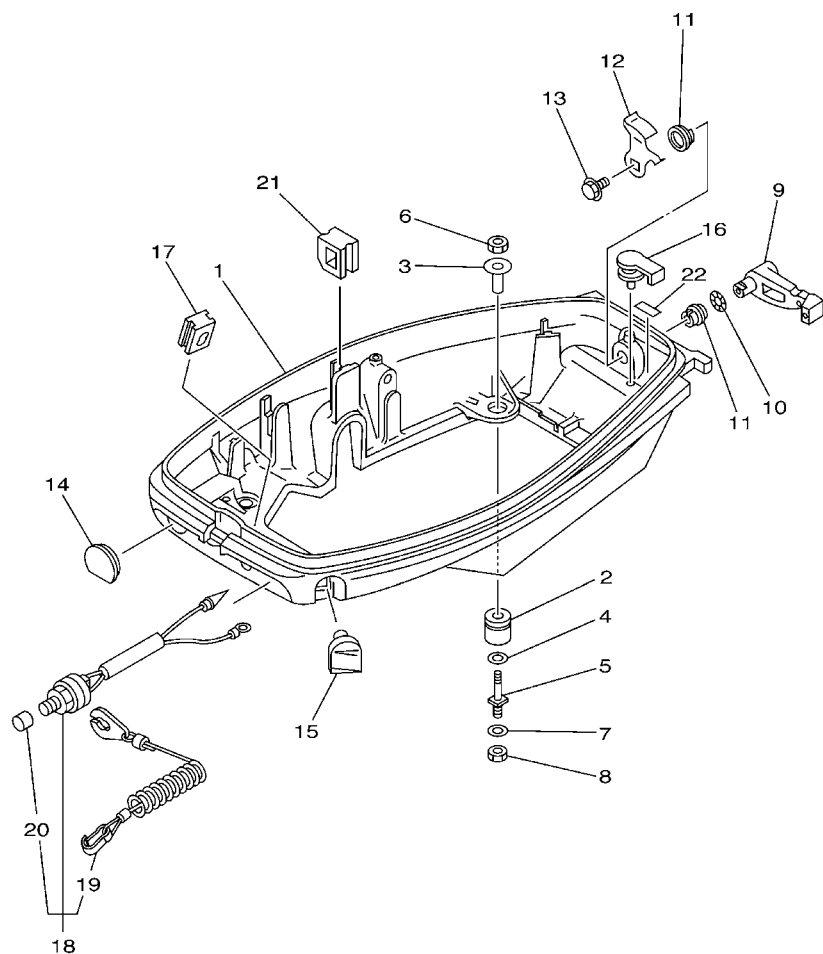


69T3200-3090

FIG. 10 ELECTRICAL

REF. NO.	PART NO.	DESCRIPTION	69T5				REMARKS
28	92995-06600	WASHER	1				
29	66T-82370-00	PLUG CAP ASSY	2				

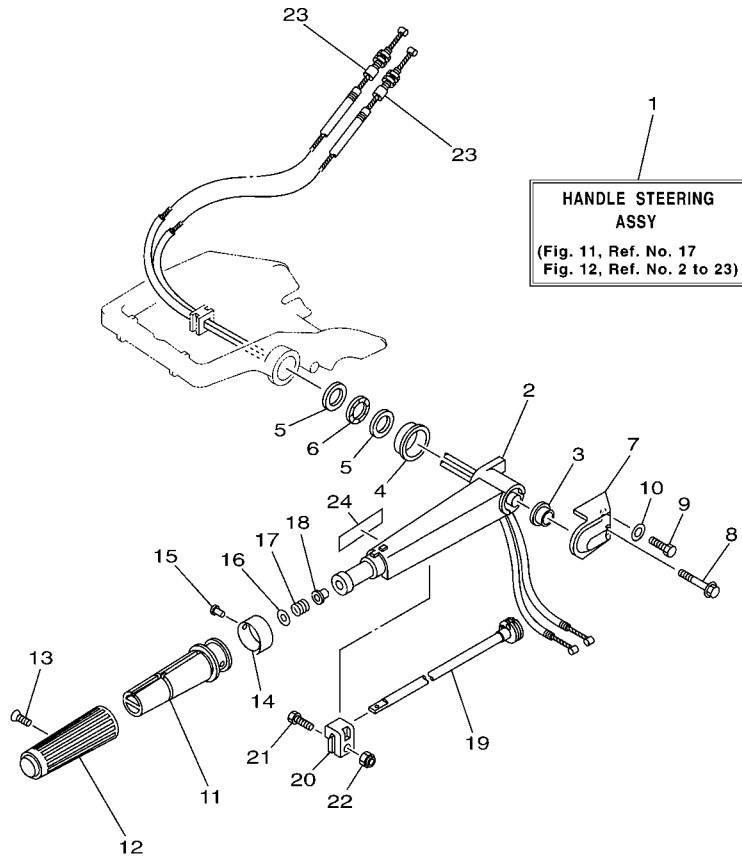
FIG. 11 BOTTOM COWLING



69T2200-2100

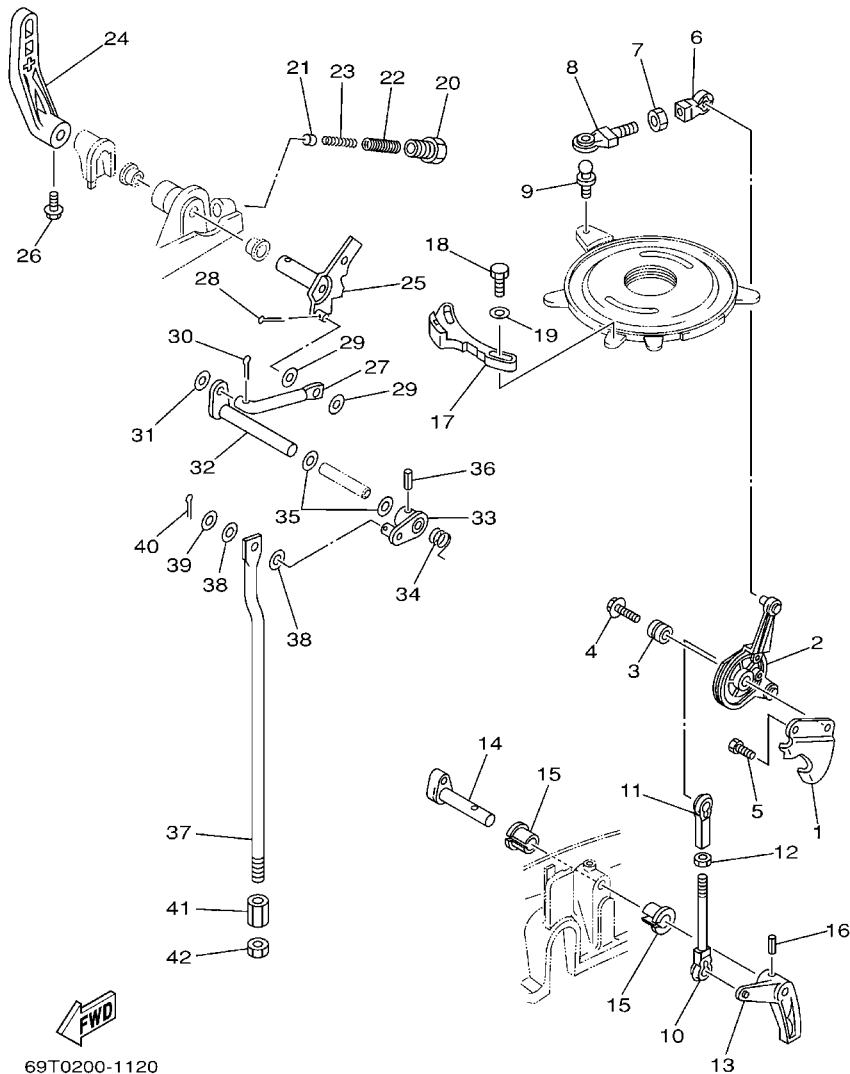
REF. NO.	PART NO.	DESCRIPTION	69T5				REMARKS
1	6A4-42711-05-4D	COWLING, BOTTOM	1				
2	90480-15M06	GROMMET	4				
3	90387-08M25	COLLAR	4				
4	90201-08M87	WASHER, PLATE	4				
5	6G0-42796-00	BOLT 1	4				
6	95380-08700	NUT	4				
7	92990-08600	WASHER, PLATE	4				
8	95380-08700	NUT	4				
9	689-42815-00	LEVER, CLAMP	1				
10	90206-12052	WASHER, WAVE	1				
11	90386-12069	BUSH	2				
12	689-42816-00	LEVER, CLAMP	1				
13	90119-06M73	BOLT, WITH WASHER	1				
14	682-42724-00	GROMMET	1				
15	689-42725-01	GROMMET	1				
16	647-42523-00	SPACER, FRICTION	1				
17	61N-26326-00	GROMMET	1				
18	6E9-82575-02	ENGINE STOP SWITCH ASSY	1				
19	682-82556-00	.STOPPER	1				
20	689-8257Y-00	.CAP	1				
21	90480-17M08	GROMMET	1				
22	6E7-42791-00	MARK 1	1				

FIG. 12 STEERING



FWD
69T4200-C120

REF. NO.	PART NO.	DESCRIPTION	69T5				REMARKS
1	69T-W0084-00-4D	HANDLE STEERING ASSY	1				
2	689-42111-01-4D	HANDLE, STEERING	1				
3	90387-13003	COLLAR	1				
4	90387-33001	COLLAR	1				
5	90201-28013	WASHER, PLATE	2				
6	90206-28001	WASHER, WAVE	1				
7	69P-42112-00-4D	HANDLE, STEERING	1				
8	97595-06550	BOLT, WITH WASHER	1				
9	97095-06020	BOLT	1				
10	92995-06600	WASHER	1				
11	664-42119-00	GRIP, STEERING HANDLE	1				
12	6F6-42177-A0	RUBBER, HANDLE	1				
13	90149-05M13	SCREW	1				
14	6J0-42137-00	INDICATOR, THROTTLE	1				
15	90269-02M09	RIVET	1				
16	92903-10600	WASHER, PLATE	1				
17	90501-23215	SPRING, COMPRESSION	1				
18	90386-08032	BUSH	1				
19	689-42138-00	LEVER, THROTTLE	1				
20	656-42126-01	FRICTION, STEERING HANDLE GRIP	1				
21	97095-06020	BOLT	1				
22	90185-06062	NUT, SELF-LOCKING	1				
23	62C-26311-00	CABLE, THROTTLE 1	2				
24	6E0-83627-41	LABEL, CAUTION 7	1				



69T0200-1120

FIG. 13 CONTROL

REF. NO.	PART NO.	DESCRIPTION	69T5				REMARKS
1	689-14497-00	STAY, THROTTLE WIRE	1				
2	61N-41631-00-94	LEVER, MAGNETO CONTROL	1				
3	90387-06M02	COLLAR	1				
4	90119-06M49	BOLT, WITH WASHER	1				
5	97095-06012	BOLT	1				
6	662-41237-01	JOINT, LINK	1				
7	95380-05700	NUT	1				
8	679-41241-01	ROD, LINK	1				
9	663-85518-00	JOINT, BALL	1				
10	689-42169-01	JOINT	1				
11	662-41237-01	JOINT, LINK	1				
12	95380-05600	NUT	1				
13	689-42154-80-94	LEVER, THROTTLE CONTROL	1				
14	656-42153-00-94	SHAFT, THROTTLE CONTROL	1				
15	90386-10009	BUSH	2				
16	91690-40018	PIN, SPRING	1				
17	69T-41213-00	CAM, ACCEL.	1				
18	97095-05014	BOLT	2				
19	92995-05600	WASHER	2				
20	664-42715-00	BUSHING	1				
21	664-44167-01	PLUNGER, SHIFT CAM	1				
22	90501-14M07	SPRING, COMPRESSION	1				
23	90501-09M08	SPRING, COMPRESSION	1				
24	689-44111-01-4D	HANDLE, GEAR SHIFT	1				
25	664-44113-01	CAM PLATE, HANDLE	1				
26	90105-06M07	BOLT, FLANGE	1				
27	664-44142-00	JOINT	1				

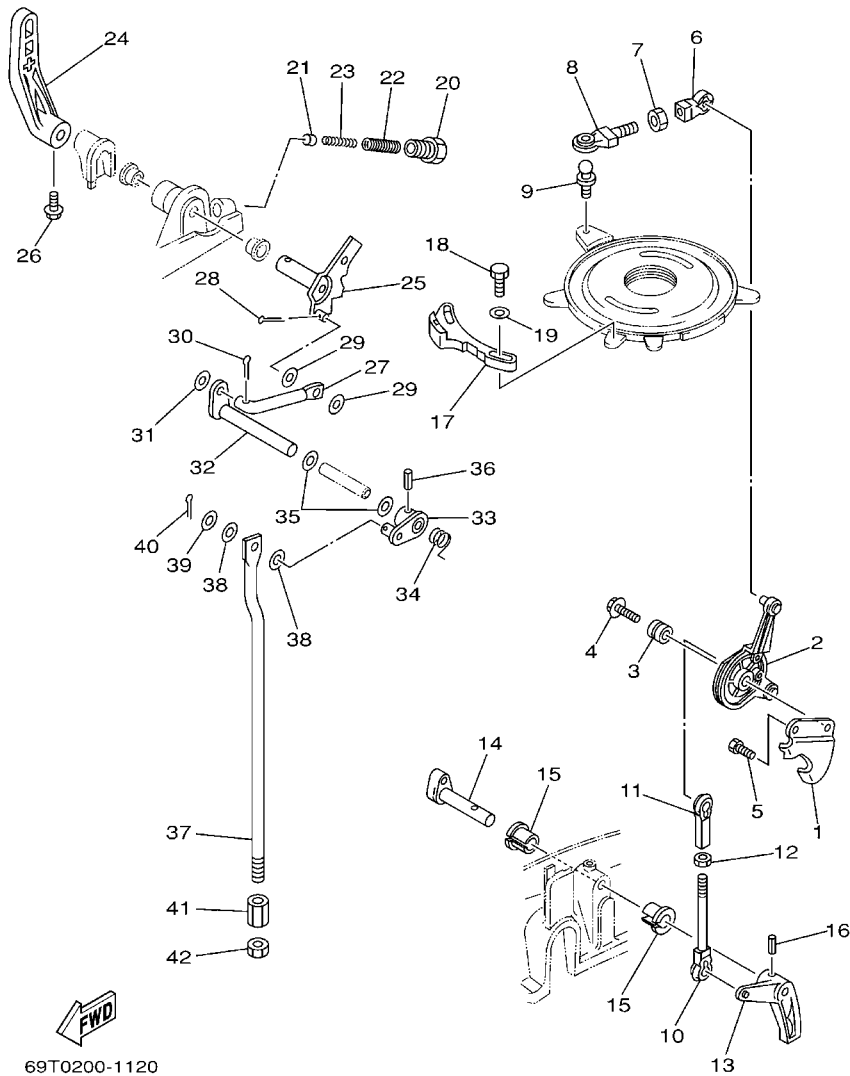
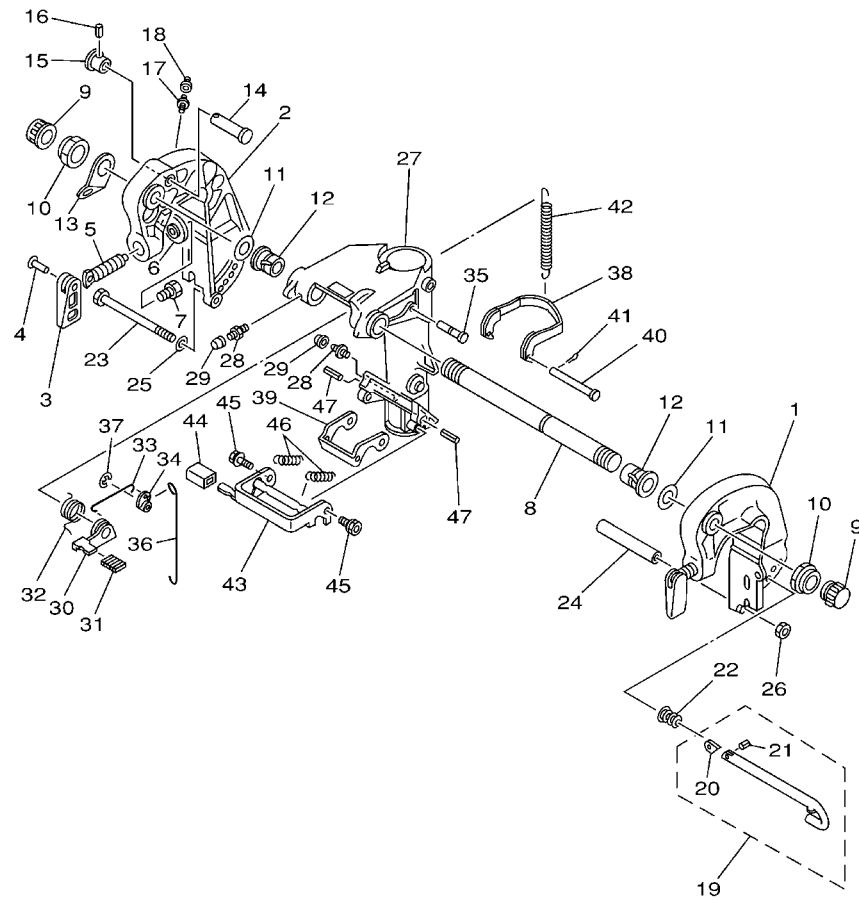


FIG. 13 CONTROL

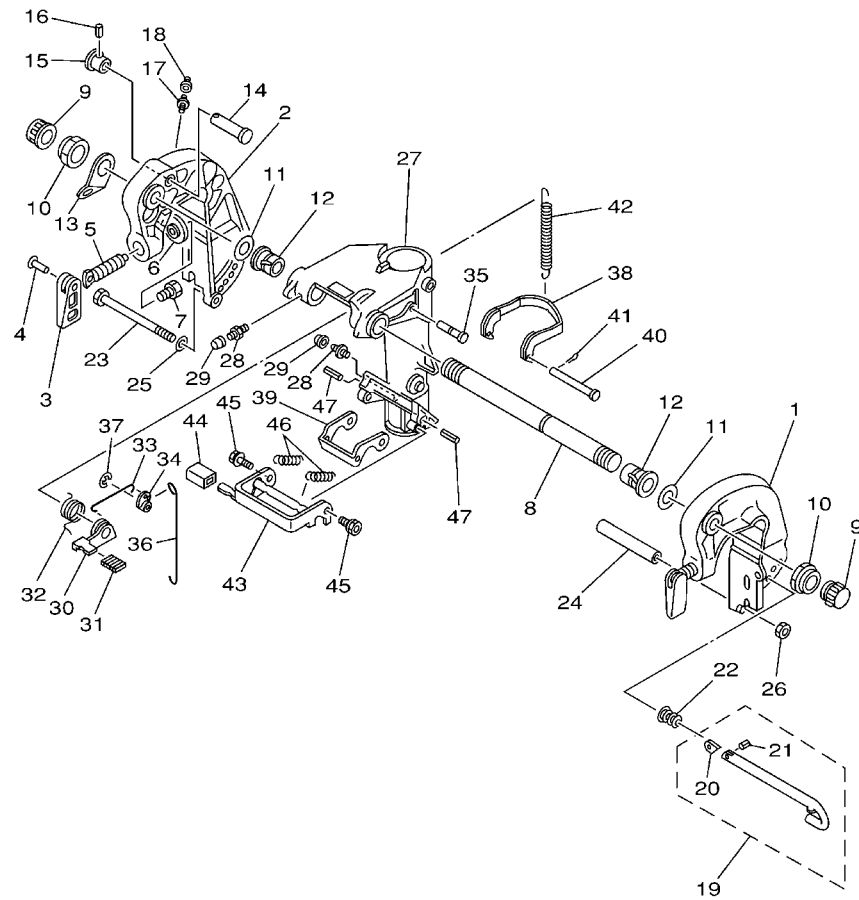
REF. NO.	PART NO.	DESCRIPTION	69T5				REMARKS
28	91490-16010	PIN, COTTER	1				
29	90202-06007	WASHER, PLATE	2				
30	91490-12010	PIN, COTTER	1				
31	92990-05600	WASHER, PLATE	1				
32	689-44121-01	LEVER, SHIFT ROD	1				
33	689-44125-00	LEVER, SHIFT ROD	1				
34	90508-14M13	SPRING, TORSION	1				
35	90202-10024	WASHER, PLATE	2				
36	91690-40016	PIN, SPRING	1				
37	61N-44143-00	ROD, SHIFT	1				
38	90202-06007	WASHER, PLATE	2				
39	92990-05600	WASHER, PLATE	1				
40	91490-20010	PIN, COTTER	1				
41	61N-44146-00	CONNECTOR, SHIFT ROD	1				
42	95380-06600	NUT, HEXAGON	1				



69T0200-1130

FIG. 14 BRACKET 1

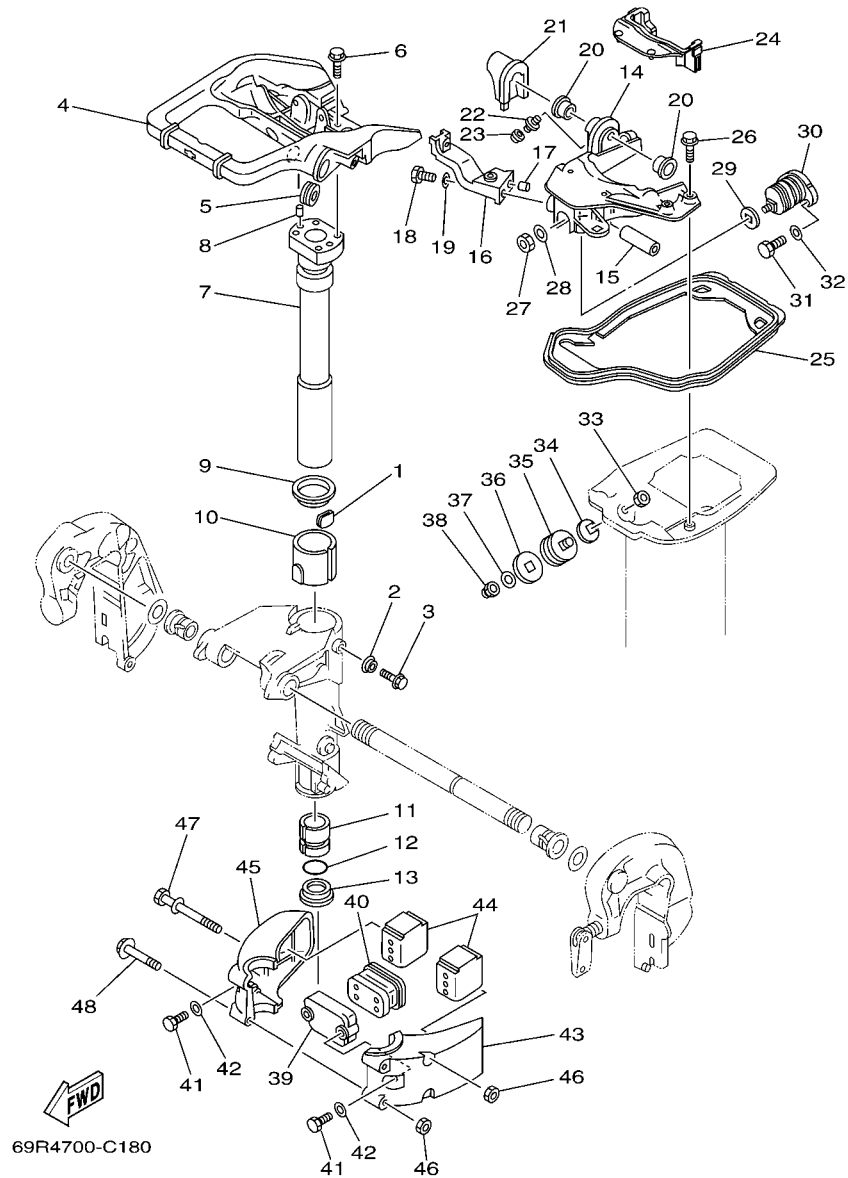
REF. NO.	PART NO.	DESCRIPTION	69T5				REMARKS
1	689-43111-03-4D	BRACKET, CLAMP	1				
2	689-43112-02-4D	BRACKET, CLAMP	1				
3	663-43118-01-4D	HANDLE, TRANSOM CLAMP	2				
4	90243-04007	PIN	2				
5	6G0-43116-00	SCREW, TRANSOM CLAMP	2				
6	6F5-43114-00	PAD, TRANSOM CLAMP	2				
7	90109-06M12	BOLT	2				
8	6J8-43131-01	BOLT, CLAMP BRACKET	1				
9	6G5-43145-01	CAP, CLAMP BRACKET	2				
10	90185-22043	NUT, SELF-LOCKING	2				
11	90201-22M03	WASHER, PLATE	2				
12	90386-22M67	BUSH	2				
13	6J8-43113-01	PLATE, CLAMP BRACKET	1				
14	689-43191-00	SHAFT, STOPPER	1				
15	689-43192-01	KNOB, STOPPER	1				
16	91690-30016	PIN, SPRING	1				
17	93700-06M03	NIPPLE, GREASE	1				
18	663-45119-00	CAP, GREASE NIPPLE	1				AP
19	689-43160-00	TILT ROD ASSY	1				
20	689-43165-00	.PLATE, TILT LOCK	1				
21	91690-30008	.PIN, SPRING	1				
22	90502-10M07	SPRING, CONICAL	1				
23	90101-08339	BOLT	1				
24	90387-08M03	COLLAR	1				
25	92990-08600	WASHER, PLATE	1				
26	95380-08600	NUT	1				
27	689-43311-03-4D	BRACKET, SWIVEL 1	1				



69T0200-1130

FIG. 14 BRACKET 1

REF. NO.	PART NO.	DESCRIPTION	69T5				REMARKS
28	93700-06M03	NIPPLE, GREASE	3				
29	663-45119-00	CAP, GREASE NIPPLE	3				AP
30	689-43631-00	LEVER, TILT	1				
31	689-43633-00	COVER, TILT LEVER	1				
32	689-43643-00	SPRING	1				
33	689-43616-00	ROD, TILT LOCK	1				
34	648-43642-00	LEVER, TILT 1	1				
35	90249-06M22	PIN	1				
36	648-43617-00	ROD, TILT LOCK	1				
37	99080-05600	CIRCLIP	1				
38	689-43614-01	PLATE, TILT LOCK	1				
39	648-43615-00	PLATE, TILT LOCK	1				
40	90240-05047	PIN, CLEVIS	1				
41	91490-16010	PIN, COTTER	1				
42	90506-30M27	SPRING, TENSION	1				
43	689-43681-01	LEVER, SHALLOW WATER DRIVE 1	1				
44	682-43318-01	COVER	1				
45	90109-06M18	BOLT	2				
46	90506-16M17	SPRING, TENSION	2				
47	91690-40035	PIN, SPRING	2				



69R4700-C180

FIG. 15 BRACKET 2

REF. NO.	PART NO.	DESCRIPTION	69T5				REMARKS
1	648-42528-00	PLATE, FRICTION	1				
2	689-43373-01	SEAL, DAMPER	1				
3	90105-06M18	BOLT, FLANGE	1				
4	69P-42511-00-4D	BRACKET, STEERING	1				
5	90480-29045	GROMMET	1				
6	90105-06M07	BOLT, FLANGE	4				
7	689-42521-00-94	SHAFT, STEERING PIVOT	1				
8	93608-12063	PIN, DOWEL	2				
9	90209-47016	WASHER	1				
10	90386-47M22	BUSH	1				
11	90386-38090	BUSH	1				
12	93210-37160	O-RING	1				
13	90386-38022	BUSH	1				
14	69P-44518-00-94	BRACKET COMP.	1				
15	90387-10M39	COLLAR	1				
16	648-44519-00-94	BRACKET	1				
17	93606-12019	PIN, DOWEL	1				
18	97095-06018	BOLT	1				
19	92995-06600	WASHER	1				
20	90381-12M01	BUSH, SOLID	2				
21	689-42718-00	RUBBER, SEAL 3	1				
22	93700-06M03	NIPPLE, GREASE	1				
23	663-45119-00	CAP, GREASE NIPPLE	1				AP
24	69P-42717-00	RUBBER, SEAL 2	1				
25	69P-42716-00	RUBBER, SEAL 1	1				
26	90105-06M08	BOLT, FLANGE	4				
27	90170-10M42	NUT	1				

D6

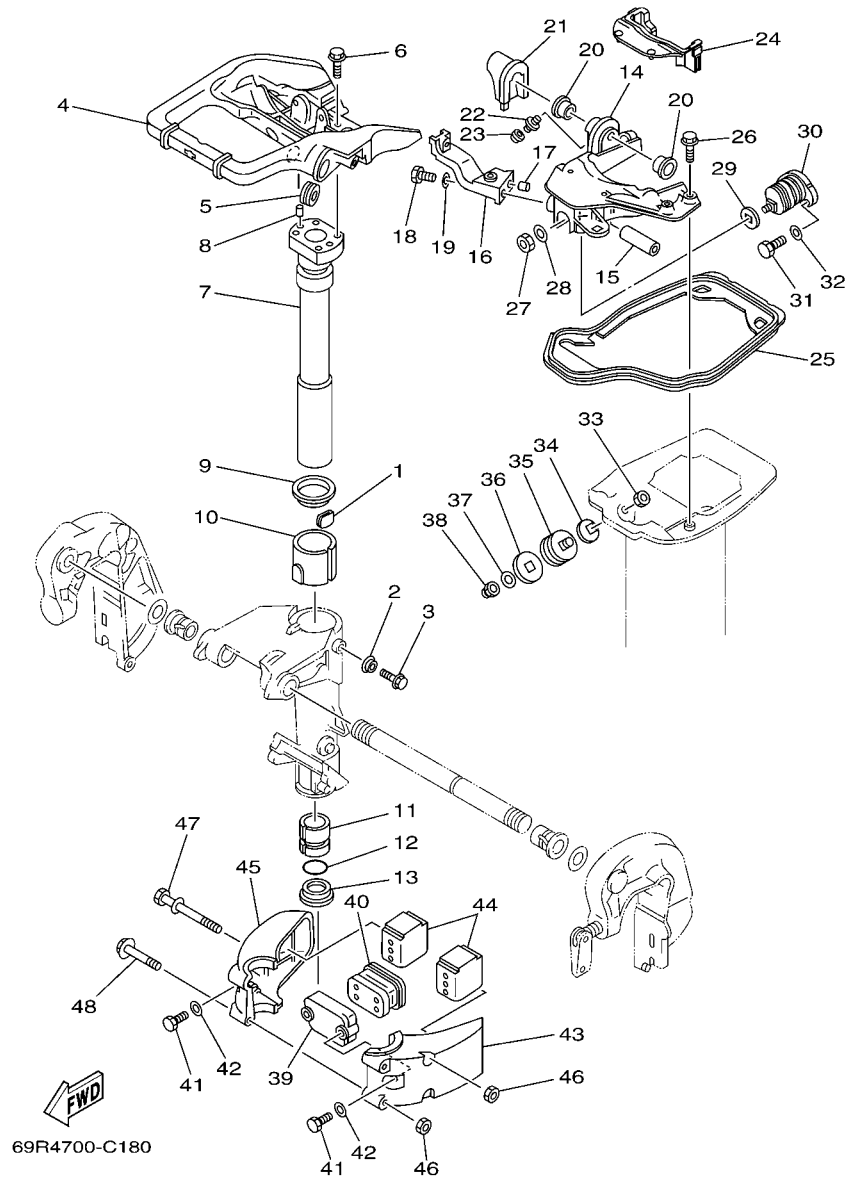
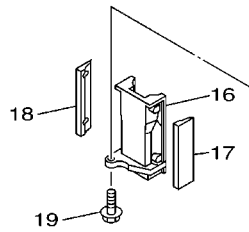
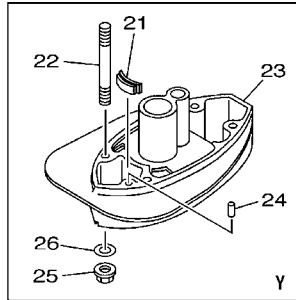
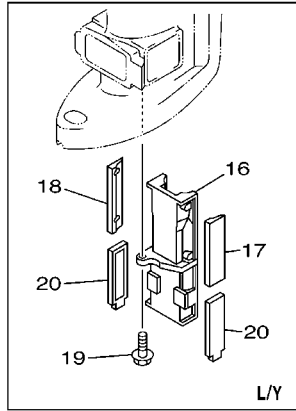


FIG. 15 BRACKET 2

REF. NO.	PART NO.	DESCRIPTION	69T5				REMARKS
28	92990-10200	WASHER, PLAIN	1				
29	648-44591-A0	GASKET	1				
30	689-44516-00	MOUNT DAMPER, UPPER FRONT	1				
31	97095-06020	BOLT	2				
32	92995-06600	WASHER	2				
33	90170-10M42	NUT	2				
34	648-44591-A0	GASKET	2				
35	664-44514-00-94	MOUNT DAMPER, UPPER SIDE	2				
36	664-44591-A0	GASKET	2				
37	92990-10200	WASHER, PLAIN	2				
38	90176-10M01	NUT, CROWN	2				
39	689-44553-00-94	COVER, LOWER MOUNT	1				
40	689-44557-00	MOUNT DAMPER, LOWER FRONT	1				
41	97075-08025	BOLT	2				
42	92995-08600	WASHER	2				
43	689-44551-01-4D	HOUSING, LOWER MOUNT RUBBER	1				
44	689-44555-00	MOUNT DAMPER, LOWER SIDE	2				
45	689-44552-01-4D	HOUSING, LOWER MOUNT RUBBER	1				
46	95380-08600	NUT	4				
47	90119-08M03	BOLT, WITH WASHER	2				
48	97595-08565	BOLT, WITH WASHER	2				



69T0200-1151

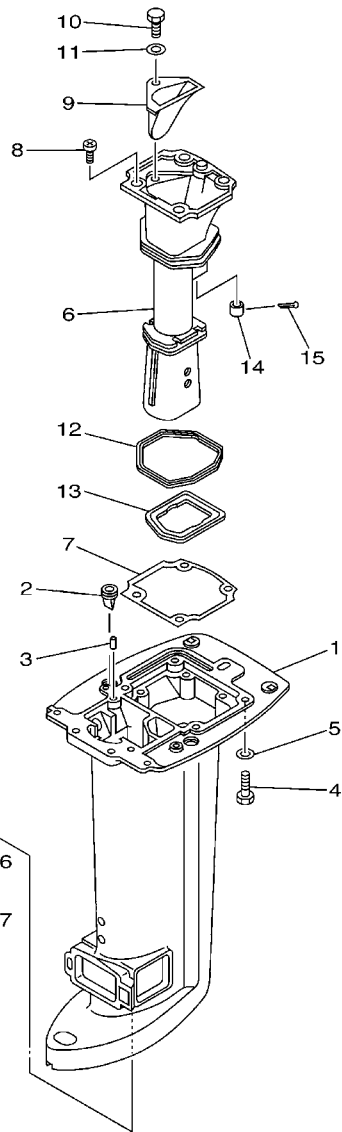
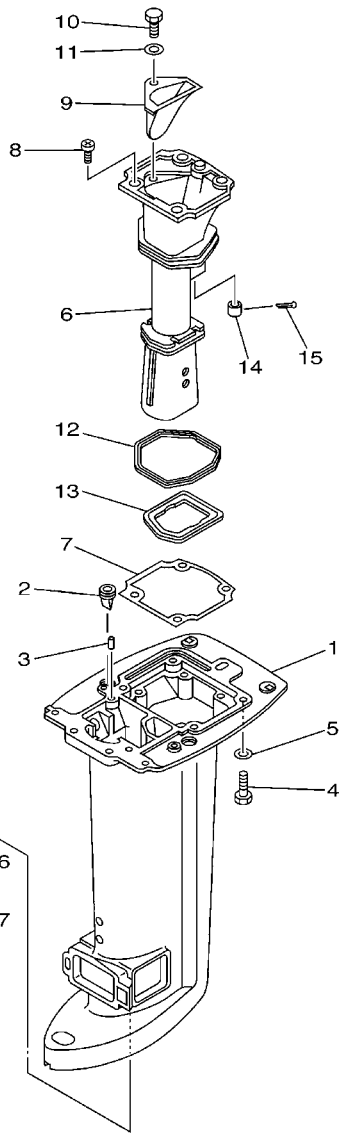
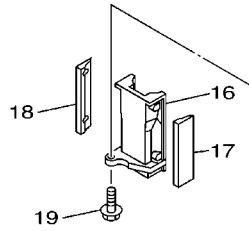
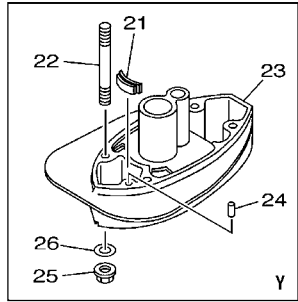
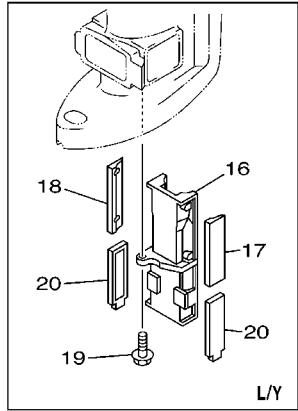


FIG. 16 UPPER CASING

REF. NO.	PART NO.	DESCRIPTION	69T5				REMARKS
1	69P-45111-00-4D	CASING, UPPER	1				S
	69P-45111-10-4D	CASING, UPPER	1				L/Y
2	65W-42717-00	RUBBER, SEAL 2	2				
3	93606-12019	PIN, DOWEL	2				
4	97075-08030	BOLT	6				
5	92995-08600	WASHER	6				
6	69P-41131-01-5B	MANIFOLD, EXT. 1	1				
7	69P-41134-A0	GASKET, EXHAUST MANIFOLD	1				
8	97880-06016	SCREW, PAN HEAD	4				
9	69P-41137-00-5B	GUIDE, EXHAUST	1				
10	97095-08020	BOLT	1				
11	92995-08600	WASHER	1				
12	69P-41138-00	SEAL, EXT. 1	1				
13	69P-41139-00	SEAL, EXT. 2	1				
14	6A8-41135-00	GASKET, EXHAUST MANIFOLD	1				
15	91490-30025	PIN, COTTER	1				
16	69P-47467-00-5B	PLATE, GUIDE	1				S
	69P-47467-10-5B	PLATE, GUIDE	1				L/Y
17	69P-45127-00	SEAL	1				
18	69P-45128-00	SEAL 2	1				
19	90119-06024	BOLT, WITH WASHER	1				
20	69P-45159-00	DAMPER	2				L/Y
21	61N-45375-00	DAMPER, SEAL	1				Y
22	90116-10M34	BOLT, STUD	4				Y
23	61N-45211-20-4D	EXTENSION	1				Y
24	93606-11M24	PIN, DOWEL	2				Y
25	90179-10M03	NUT	4				Y



69T0200-1151

FIG. 16 UPPER CASING

REF. NO.	PART NO.	DESCRIPTION	69T5				REMARKS
26	92995-10600	WASHER	4				Y

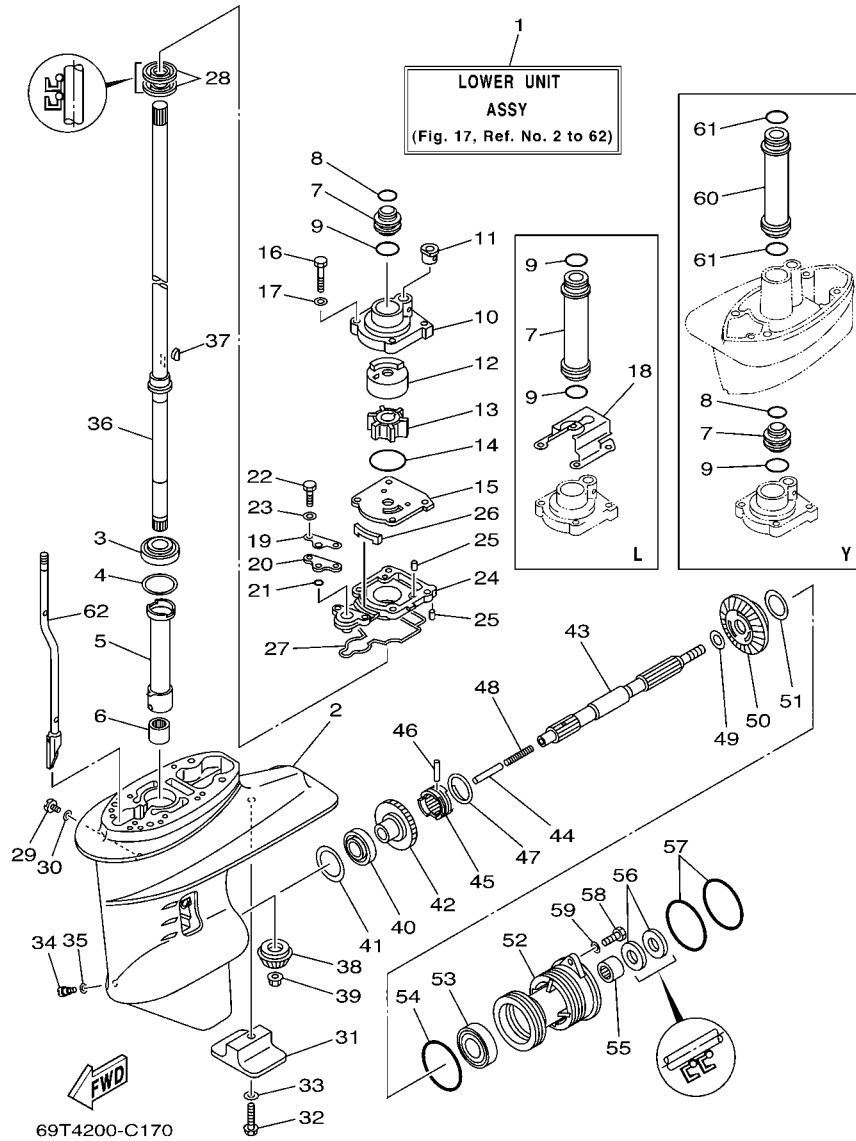


FIG. 17 LOWER CASING & DRIVE 1

REF. NO.	PART NO.	DESCRIPTION	69T5				REMARKS
1	69P-45300-01-4D	LOWER UNIT ASSY	1				S
	69P-45300-11-4D	LOWER UNIT ASSY	1				L
	69P-45300-21-4D	LOWER UNIT ASSY	1				Y
2	61N-45311-02-4D	CASING, LOWER	1				
3	93332-000W5	BEARING	1				
4	61N-45587-00	SHIM (T:0.7MM)	1				UR
	61N-45587-10	SHIM (T:1.0MM)	1				UR
	61N-45587-20	SHIM (T:1.1MM)	1				UR
	61N-45587-30	SHIM (T:1.2MM)	1				UR
	61N-45587-40	SHIM (T:1.3MM)	1				UR
	61N-45587-50	SHIM (T:1.4MM)	1				UR
	61N-45587-60	SHIM (T:1.5MM)	1				UR
	61N-45587-70	SHIM (T:1.6MM)	1				UR
5	61N-45536-00	SLEEVE, DRIVE SHAFT	1				
6	93315-220V7	BEARING	1				
7	61N-44362-00	TUBE, WATER	1				S/Y
	61N-44362-10	TUBE, WATER	1				L
8	93210-22164	O-RING	1				S/Y
9	93210-26130	O-RING	1				S/Y
	93210-26130	O-RING	2				L
10	69P-44311-00	HOUSING, WATER PUMP	1				
11	6L2-44367-00	DAMPER, WATER SEAL	1				
12	69P-44322-40	INSERT, CARTRIDGE	1				FOR CHROMATE
13	6H4-44352-02	IMPELLER	1				
14	93210-45161	O-RING	1				
15	61N-44323-40	OUTER PLATE, CARTRIDGE	1				FOR CHROMATE
16	97095-06040	BOLT	4				

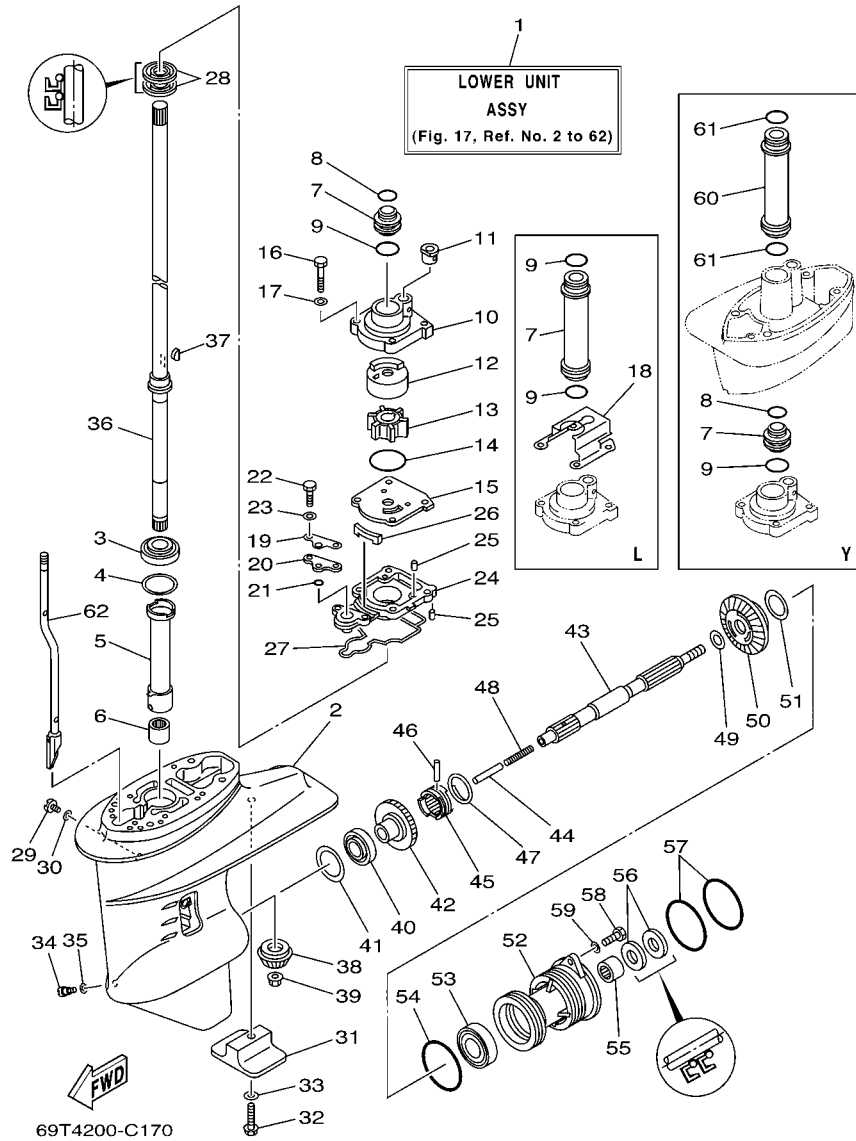


FIG. 17 LOWER CASING & DRIVE 1

REF. NO.	PART NO.	DESCRIPTION	69T5				REMARKS
17	92995-06600	WASHER	4				
18	65W-44328-11	PLATE	1				L
19	61N-44176-00	BRACKET	1				
20	61N-45321-00	PLATE	1				
21	93210-06ME6	O-RING	1				
22	97095-06025	BOLT	2				
23	92995-06600	WASHER	2				
24	61N-45331-00-5B	HOUSING, BEARING	1				
25	93604-10M03	PIN, DOWEL	3				
26	61N-45127-00	SEAL	1				
27	61N-45315-00	PACKING, LOWER CASING	1				
28	93101-22067	OIL SEAL	2				
29	90340-08002	PLUG, STRAIGHT SCREW	1				
30	90430-08020	GASKET	1				
31	61N-45251-01	ANODE	1				
32	95895-06035	BOLT, FLANGE	1				
33	92990-06300	WASHER, INTERNAL TOOTH	1				
34	688-45341-10	PLUG, DRAIN	1				
35	90430-08020	GASKET	1				
36	61N-45510-00	DRIVE SHAFT ASSY	1				S
	61N-45510-10	DRIVE SHAFT ASSY	1				L
	61N-45510-20	DRIVE SHAFT ASSY	1				Y
37	90280-03M03	KEY, WOODRUFF	1				
38	61N-45551-00	PINION (13T)	1				
39	90179-10M14	NUT	1				
40	93332-00005	BEARING	1				
41	6L2-45567-00	SHIM (T:1.0MM)	1				UR

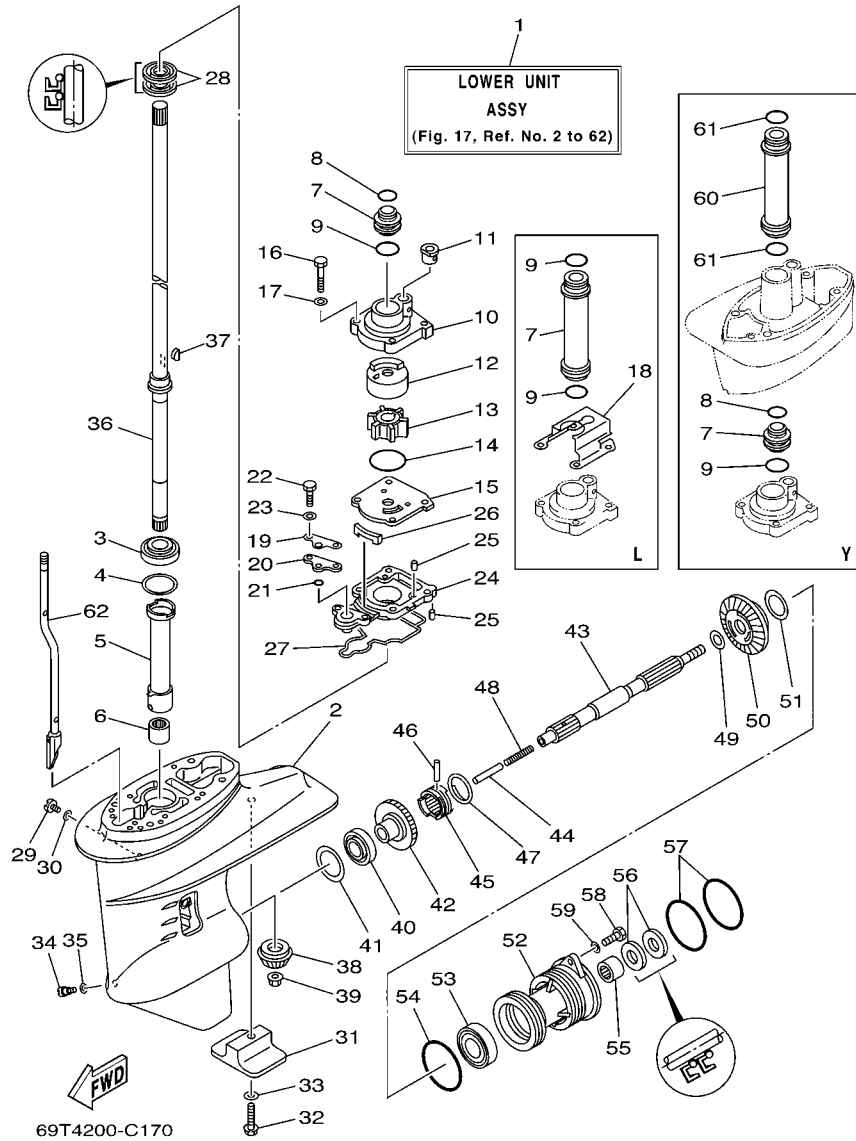


FIG. 17 LOWER CASING & DRIVE 1

REF. NO.	PART NO.	DESCRIPTION	69T5				REMARKS
41	6L2-45567-10	SHIM (T:1.1MM)	1				UR
	6L2-45567-20	SHIM (T:1.2MM)	1				UR
	6L2-45567-30	SHIM (T:1.3MM)	1				UR
	6L2-45567-40	SHIM (T:1.4MM)	1				UR
42	61N-45560-10	GEAR 1 (27T)	1				
43	65W-45611-00	SHAFT, PROPELLER	1				
44	648-45635-00	PLUNGER, SHIFT	1				
45	664-45631-02	CLUTCH, DOG	1				
46	90250-05010	PIN, STRAIGHT	1				
47	648-45633-00	RING, CROSS PIN	1				
48	90501-10065	SPRING, COMPRESSION	1				
49	90201-20417	WASHER, PLATE	1				
50	61N-45571-00	GEAR 2 (27T)	1				
51	6L2-45577-00	SHIM (T:1.0MM)	1				UR
	6L2-45577-10	SHIM (T:1.1MM)	1				UR
	6L2-45577-20	SHIM (T:1.2MM)	1				UR
	6L2-45577-30	SHIM (T:1.3MM)	1				UR
52	61N-45361-01-4D	CAP, LOWER CASING	1				
53	93306-00612	BEARING	1				
54	93210-64ME7	O-RING	1				
55	93315-22004	BEARING	1				
56	93101-20M07	OIL SEAL	2				
57	93210-65M50	O-RING	2				
58	97075-06020	BOLT	2				
59	92995-06600	WASHER	2				
60	61N-44362-10	TUBE, WATER	1				Y
61	93210-26130	O-RING	2				Y

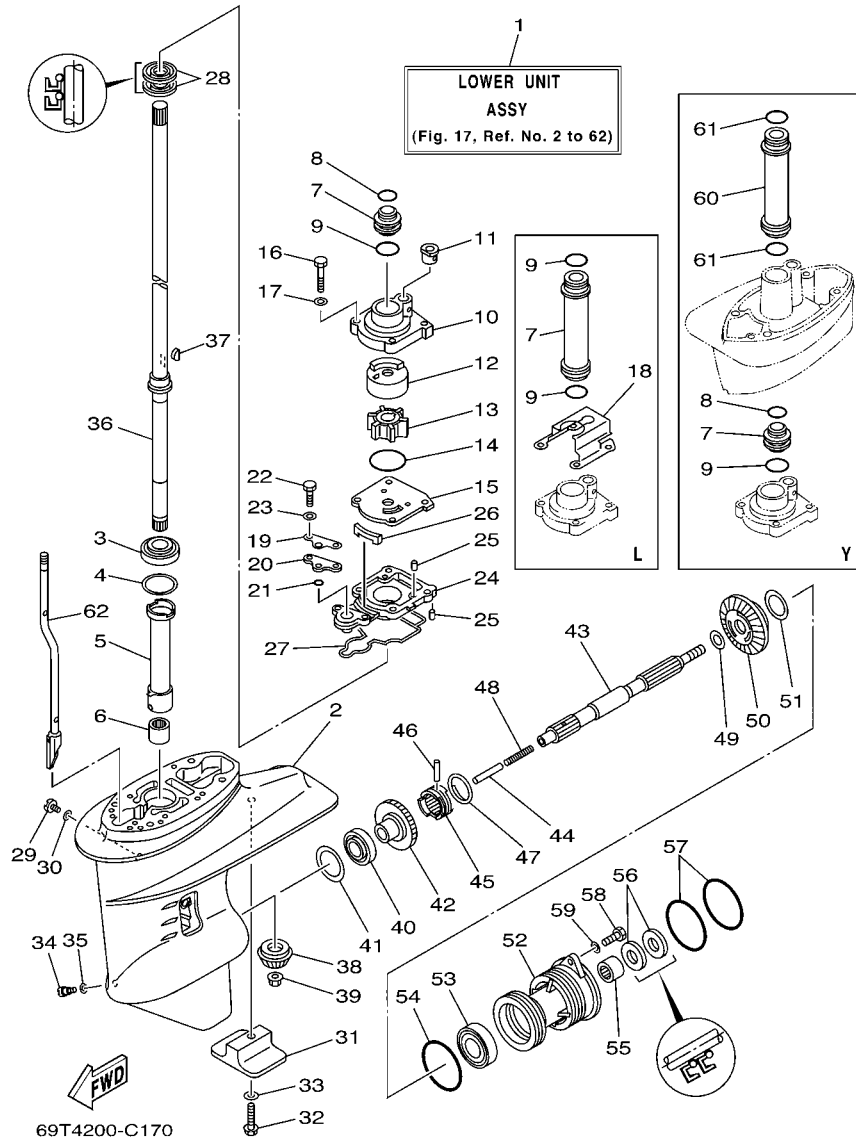
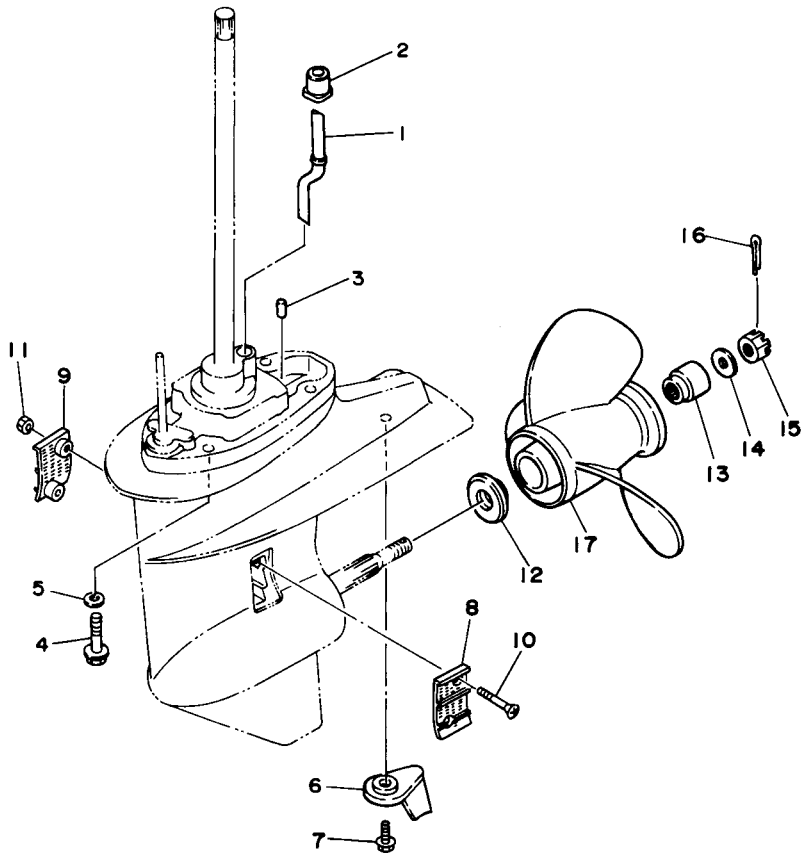


FIG. 17 LOWER CASING & DRIVE 1

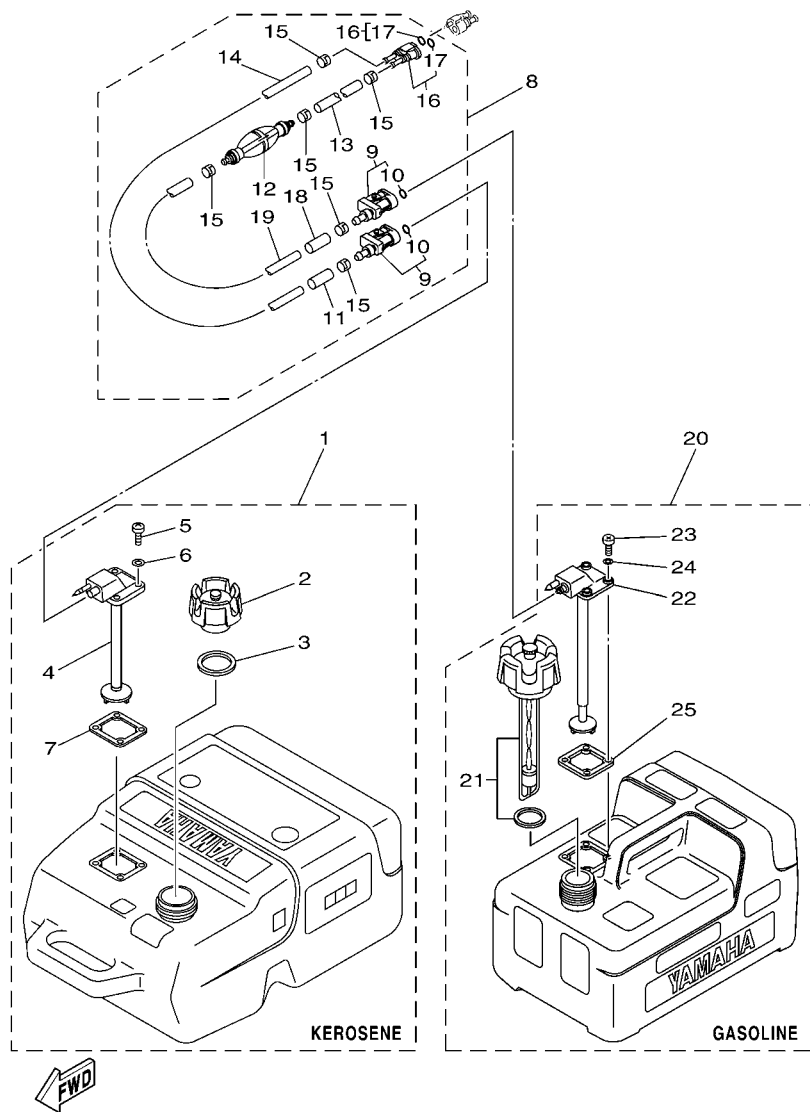
REF. NO.	PART NO.	DESCRIPTION	69T5				REMARKS
62	61N-44150-00	SHIFT CAM ASSY	1				S
	61N-44150-10	SHIFT CAM ASSY	1				L
	61N-44150-20	SHIFT CAM ASSY	1				Y




 61R0010-4180

FIG. 18 LOWER CASING & DRIVE 2

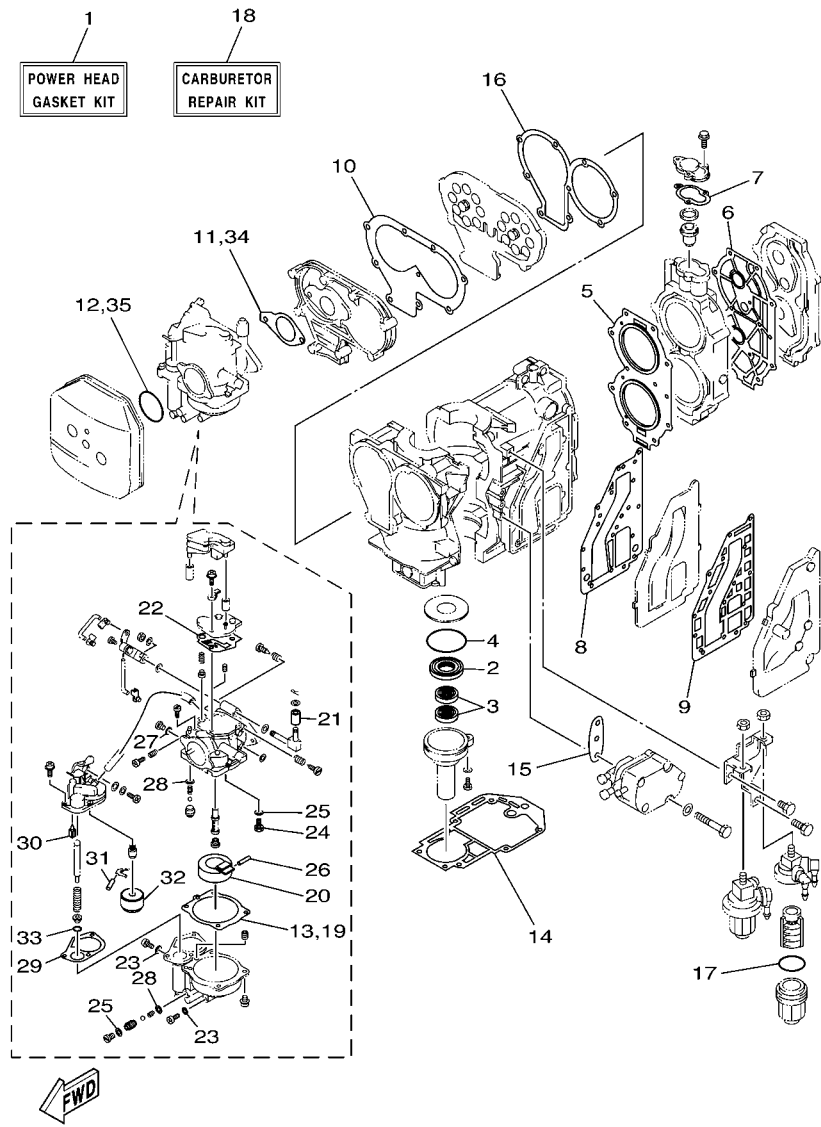
REF. NO.	PART NO.	DESCRIPTION	69T5				REMARKS
1	61N-44361-00	TUBE, WATER	1				S
	61N-44361-10	TUBE, WATER	1				L
	61N-44361-20	TUBE, WATER	1				Y
2	689-44366-00	DAMPER, WATER SEAL	1				
3	93606-11M24	PIN, DOWEL	2				
4	90105-10M12	BOLT, FLANGE	4				S/L
5	92995-10600	WASHER	4				S/L
6	61N-45371-00	TAB-TRIM	1				
7	90119-06M48	BOLT, WITH WASHER	1				
8	6L2-45214-00	COVER, WATER INLET	1				
9	6L2-45215-00	COVER, WATER INLET	1				
10	90151-05M05	SCREW, COUNTERSUNK	2				
11	90185-05002	NUT, SELF-LOCKING	2				
12	6L2-45987-01	SPACER	1				
13	689-45997-00	SPACER	1				
14	92990-14200	WASHER, PLAIN	1				
15	90171-14013	NUT, CASTLE	1				
16	91490-30022	PIN, COTTER	1				
17	664-45941-01-EL	PROPELLER (3X9-7/8X9-F)	1				UR
	664-45943-01-EL	PROPELLER (3X9-7/8X8-F)	1				UR
	664-45945-00-EL	PROPELLER (3X9-7/8X10-1/2-F)	1				UR
	664-45947-01-EL	PROPELLER (3X9-7/8X11-1/4-F)	1				UR
	664-45949-02-EL	PROPELLER (3X9-7/8X13-F)	1				UR
	664-45952-00-EL	PROPELLER (3X9-7/8X14-F)	1				UR
	664-45954-00-EL	PROPELLER (3X9-7/8X12-F)	1				UR
	62C-45941-00-EL	PROPELLER (3X9-7/8X10-F)	1				UR



69T5200-D190

FIG. 19 FUEL TANK

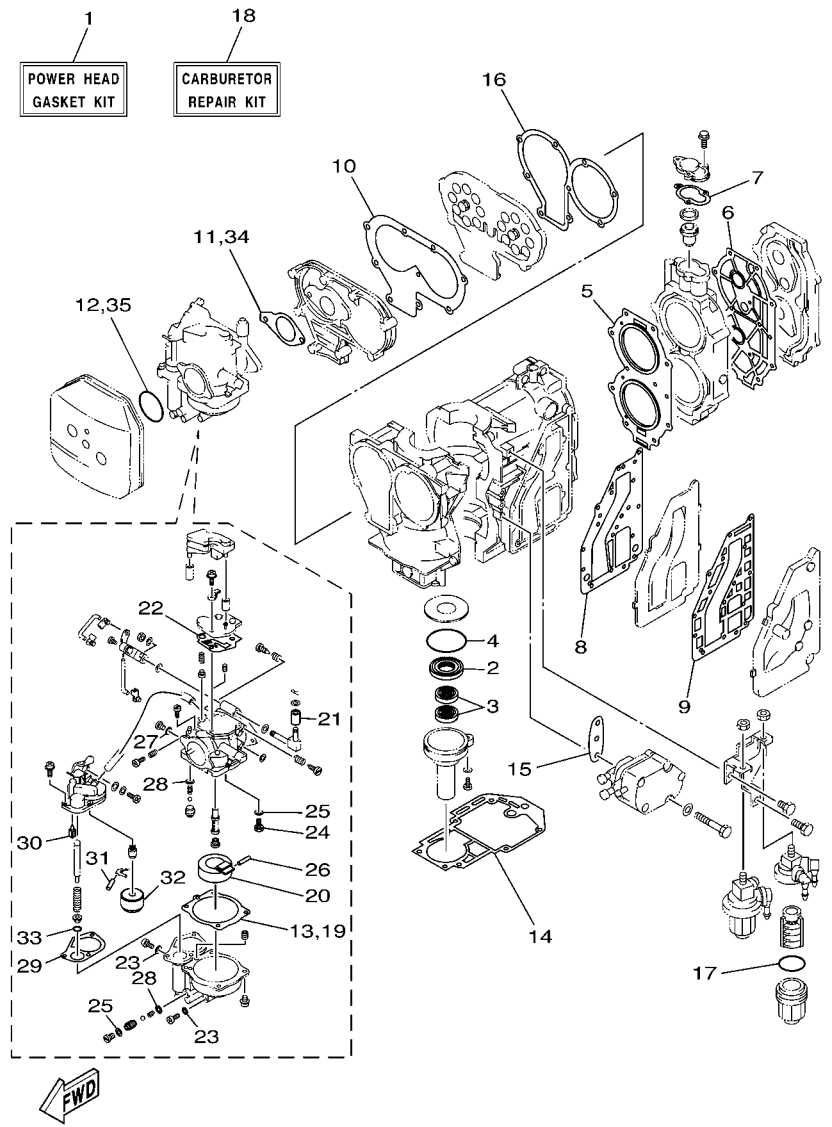
REF. NO.	PART NO.	DESCRIPTION	69T5				REMARKS
1	6YK-24201-20	FUEL TANK ASSY (25L,KEROSENE)	1				AP KEROSENE
2	6YK-24610-10	.CAP ASSY	1				WITHOUT INDICATOR
3	6YL-24641-00	.GASKET, CAP 1	1				
4	6YK-24260-01	.FUEL METER ASSY	1				
5	90157-05M16	.SCREW, PAN HEAD	4				
6	6YL-24329-00	.SEAL	4				
7	6YL-24268-01	.GASKET, FUEL METER	1				
8	6YK-24306-03	FUEL PIPE COMP. 1	1				AP
9	6Y1-24305-05	.FUEL PIPE JOINT COMP. 2	2				
10	93210-08287	..O-RING	1				
11	6Y1-24397-10	.COLLAR (KEROSENE)	1				
12	61J-24360-00	.PRIMER PUMP ASSY	1				
13	90445-11M05	.HOSE (L850)	1				
14	90445-11M81	.HOSE (L3000)	1				
15	650-24351-01	.BAND 1	6				
16	680-24305-01	.FUEL PIPE JOINT COMP. 2	1				
17	93210-08287	..O-RING	2				
18	6Y1-24397-00	.COLLAR (GASOLINE)	1				
19	90445-11M06	.HOSE (L2050)	1				
20	6YL-24201-04	FUEL TANK ASSY (12L)	1				AP GASOLINE
21	6YL-24610-01	.CAP ASSY	1				
22	6YL-24260-01	.FUEL METER ASSY	1				
23	90157-05M16	.SCREW, PAN HEAD	4				
24	6YL-24329-00	.SEAL	4				
25	6YL-24268-01	.GASKET, FUEL METER	1				



69T4200-C200

FIG. 20 REPAIR KIT 1

REF. NO.	PART NO.	DESCRIPTION	69T5				REMARKS
1	69T-W0001-00	POWER HEAD GASKET KIT	1				
2	93102-25008	.OIL SEAL	1				
3	93101-16001	.OIL SEAL	2				
4	93210-58M21	.O-RING	1				
5	61N-11181-A1	.GASKET, CYLINDER HEAD 1	1				
6	61T-11193-A1	.GASKET, HEAD COVER 1	1				
7	655-12414-A1	.GASKET, COVER	1				
8	6K8-41122-A1	.GASKET, EXHAUST INNER COVER	1				
9	6K8-41124-A1	.GASKET, EXHAUST OUTER COVER	1				
10	648-13645-A0	.GASKET, MANIFOLD 1	1				
11	648-14198-00	.GASKET	1				
12	93210-39M89	.O-RING	1				
13	6A4-14384-00	.GASKET, FLOAT CHAMBER	1				
14	689-45113-A1	.GASKET, UPPER CASING	1				
15	650-24431-A0	.GASKET, FUEL PUMP 1	1				
16	648-13621-A1	.GASKET, VALVE SEAT	1				
17	93210-32738	.O-RING	2				
18	69T-W0093-00	CARBURETOR REPAIR KIT	1				
19	6A4-14384-00	.GASKET, FLOAT CHAMBER	1				
20	648-14385-00	.FLOAT	1				
21	69T-41231-00	.COLLAR, GUIDE PIN	1				
22	6A4-14398-01	.GASKET	1				
23	6L2-14398-00	.GASKET	2				
24	6J0-14390-14	.NEEDLE VALVE ASSY	1				
25	367-14195-00	.GASKET	2				
26	689-14386-00	.PIN, FLOAT	1				
27	652-14397-00	.O-RING	1				

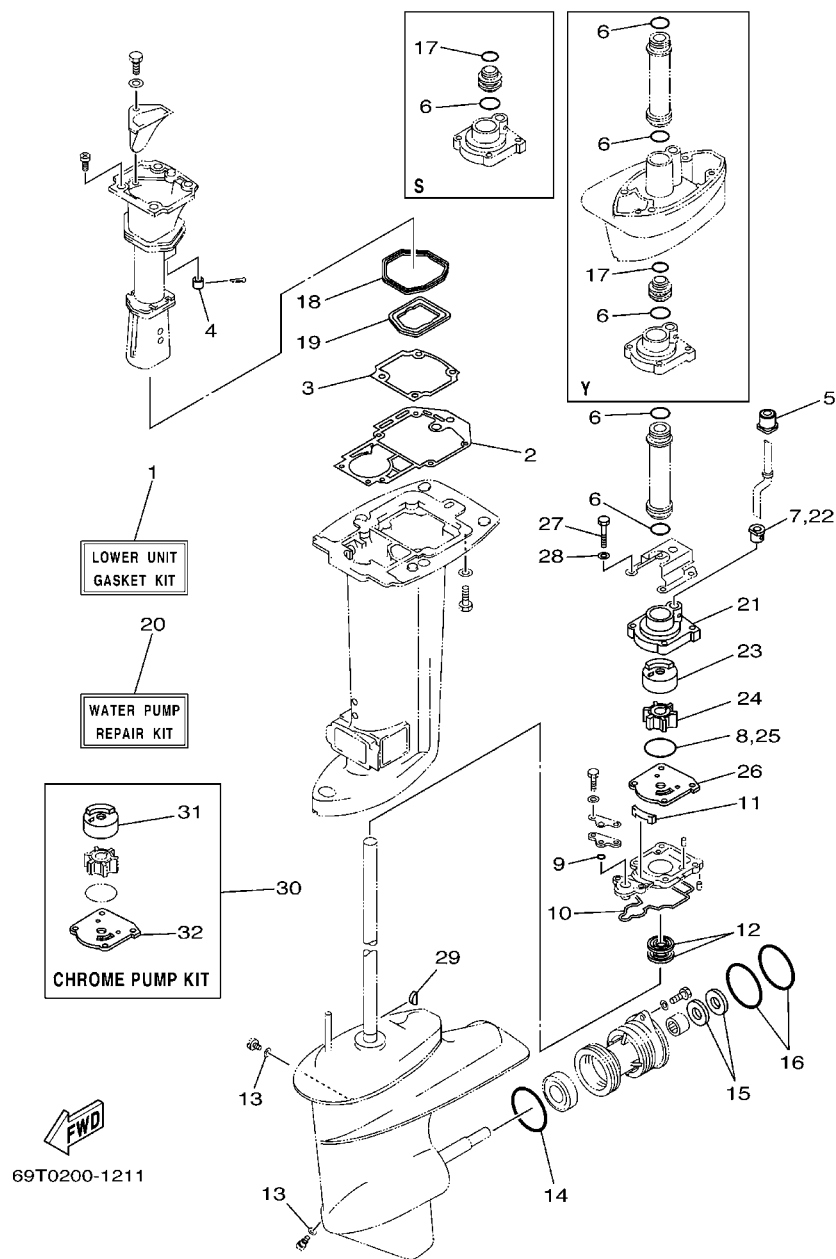


69T4200-C200

FIG. 20 REPAIR KIT 1

REF. NO.	PART NO.	DESCRIPTION	69T5				REMARKS
28	6F5-14372-01	.SEAT, PACKING	2				
29	6J0-14384-00	.GASKET, FLOAT CHAMBER	1				
30	62C-14392-00	.VALVE, NEEDLE	1				
31	6A4-14386-00	.PIN, FLOAT	1				
32	652-14385-00	.FLOAT	1				
33	652-14147-00	.O-RING	1				
34	648-14198-00	.GASKET	1				
35	93210-39M89	.O-RING	1				

FIG. 21 REPAIR KIT 2



REF. NO.	PART NO.	DESCRIPTION	69T5				REMARKS
1	69P-W0001-20	LOWER UNIT GASKET KIT	1				
2	689-45113-A1	.GASKET, UPPER CASING	1				
3	69P-41134-A0	.GASKET, EXHAUST MANIFOLD	1				
4	6A8-41135-00	.GASKET, EXHAUST MANIFOLD	1				
5	689-44366-00	.DAMPER, WATER SEAL	1				
6	93210-26130	.O-RING	3				UN
7	6L2-44367-00	.DAMPER, WATER SEAL	1				
8	93210-45161	.O-RING	1				
9	93210-06ME6	.O-RING	1				
10	61N-45315-00	.PACKING, LOWER CASING	1				
11	61N-45127-00	.SEAL	1				
12	93101-22067	.OIL SEAL	2				
13	90430-08020	.GASKET	2				
14	93210-64ME7	.O-RING	1				
15	93101-20M07	.OIL SEAL	2				
16	93210-65M50	.O-RING	2				
17	93210-22164	.O-RING	1				S/Y
18	69P-41138-00	.SEAL, EXT. 1	1				
19	69P-41139-00	.SEAL, EXT. 2	1				
20	69P-W0078-00	WATER PUMP REPAIR KIT	1				
21	69P-44311-00	.HOUSING, WATER PUMP	1				
22	6L2-44367-00	.DAMPER, WATER SEAL	1				
23	69P-44322-00	.INSERT, CARTRIDGE	1				
24	6H4-44352-02	.IMPELLER	1				
25	93210-45161	.O-RING	1				
26	61N-44323-00	.OUTER PLATE, CARTRIDGE	1				
27	97095-06040	.BOLT	4				

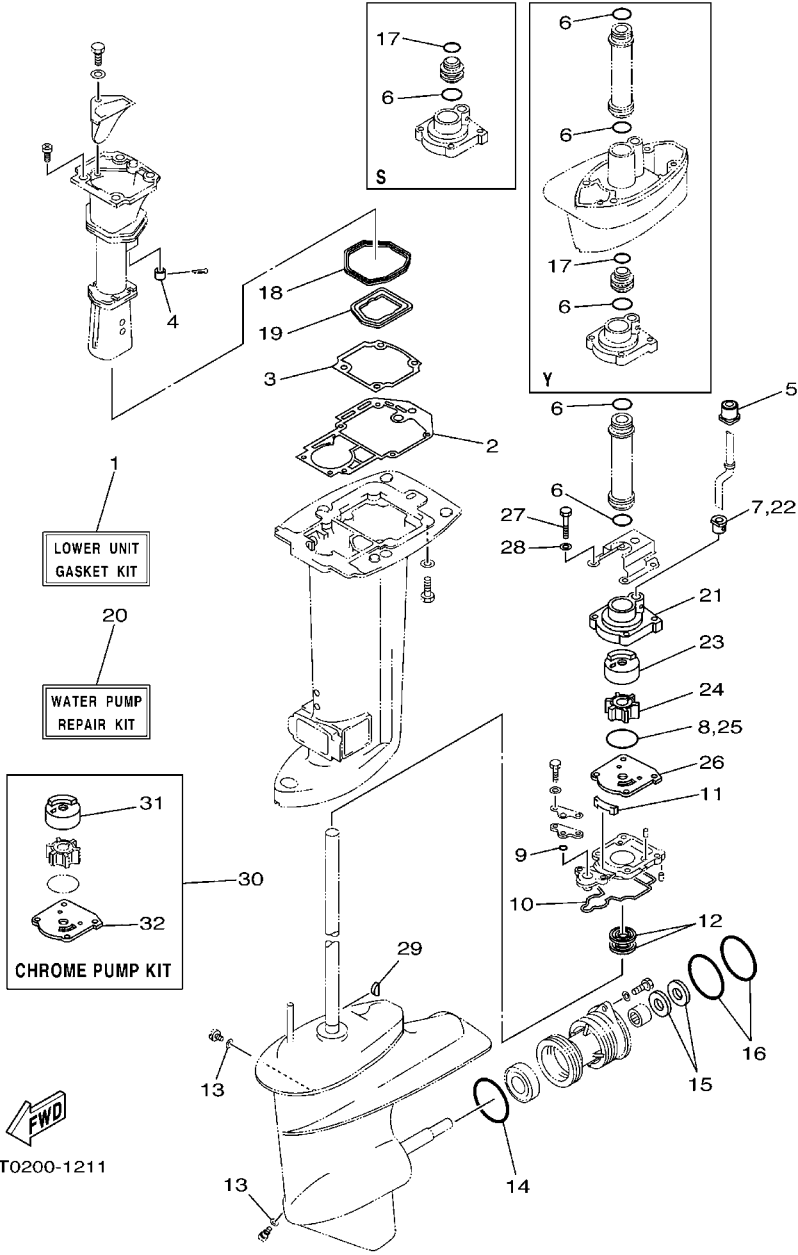


FIG. 21 REPAIR KIT 2

REF. NO.	PART NO.	DESCRIPTION	69T5				REMARKS
28	92995-06600	.WASHER	4				
29	90280-03M03	.KEY, WOODRUFF	1				
30	69P-W0078-0A	CHROME PUMP KIT	1				
31	69P-44322-40	.INSERT, CARTRIDGE	1				
32	61N-44323-40	.OUTER PLATE, CARTRIDGE	1				

NUMERICAL INDEX

PART NO.	REF. NO.	PART NO.	REF. NO.	PART NO.	REF. NO.	PART NO.	REF. NO.	PART NO.	REF. NO.	PART NO.	REF. NO.
62C-11111-00-1S	2 - 19	6A4-14225-00	5 - 60	62C-14392-00	20 - 30	6G0-24311-00	6 - 17	69P-41138-00	16 - 12	69P-42716-00	15 - 25
61N-11181-A1	2 - 21	69T-14301-00	5 - 1	6A4-14394-00	5 - 29	62C-24312-00	6 - 41		21 - 18	65W-42717-00	16 - 2
	20 - 5	69T-14310-00	5 - 19	652-14397-00	5 - 28	6A4-24314-00	6 - 16	69P-41139-00	16 - 13	69P-42717-00	15 - 24
61N-11191-01-1S	2 - 22	664-14321-01	5 - 20		20 - 27	6A4-24329-00	6 - 4		21 - 19	689-42718-00	15 - 21
61T-11193-A1	2 - 23	647-14323-00	5 - 54	6L2-14398-00	5 - 13	6YL-24329-00	19 - 6	69T-41213-00	13 - 17	682-42724-00	11 - 14
	20 - 6	6J0-14323-00	5 - 62		20 - 23	650-24351-01	7 - 5	69T-41216-00	5 - 8	689-42725-01	11 - 15
689-11325-00	2 - 17	6A0-14325-00	6 - 30	6A4-14398-01	5 - 11		19 - 15	69T-41231-00	5 - 6	6E7-42791-00	11 - 22
6J8-11325-00	2 - 12	62C-14326-00	5 - 61		20 - 22	61J-24360-00	7 - 3		20 - 21	6G0-42796-00	11 - 5
6H3-11327-00-1S	2 - 13	677-14327-01	5 - 45	62C-14435-00	4 - 19		19 - 12	662-41237-01	13 - 6	689-42815-00	11 - 9
6H3-11328-00	2 - 14	6J0-14329-01	5 - 47	62C-14440-01	4 - 11	6Y1-24397-00	19 - 18	679-41241-01	13 - 8	689-42816-00	11 - 12
676-11372-00	2 - 20	6A4-14332-00	5 - 35	689-14497-00	13 - 1	6Y1-24397-10	19 - 11	6J0-41252-00	4 - 23	689-43111-03-4D	14 - 1
69T-11400-00	3 - 1	6F5-14332-01	5 - 31	62Y-14597-00	5 - 15	62C-24410-00	6 - 20	62C-41256-00	4 - 24	689-43112-02-4D	14 - 2
69P-11412-00	3 - 2	656-14335-00	5 - 22	69P-15100-00-1S	2 - 2	663-24411-00	6 - 32	6F5-41262-01	5 - 44	6J8-43113-01	14 - 13
61N-11422-00	3 - 3	6A4-14339-01	5 - 51	689-15396-01-5B	2 - 6	692-24411-00	6 - 28	661-41262-02	4 - 25	6F5-43114-00	14 - 6
61N-11432-00	3 - 4	6J0-14341-00	5 - 4	61N-15711-10	8 - 2	6A0-24412-02	6 - 37		5 - 48	6G0-43116-00	14 - 5
61N-11442-00	3 - 5	6J0-14342-24	5 - 41	6F5-15713-01	8 - 5	6A0-24413-00	6 - 34	682-41271-00	4 - 20	663-43118-01-4D	14 - 3
61N-11515-00	3 - 10	648-14343-78	5 - 3	6G0-15714-01	8 - 3	6A0-24421-01	6 - 29	689-41273-00	4 - 21	6J8-43131-01	14 - 8
61N-11603-00	3 - 19	6J0-14344-43	5 - 24	61N-15715-00	8 - 6	650-24431-A0	6 - 38	6J8-41274-00	4 - 22	6G5-43145-01	14 - 9
61N-11604-00	3 - 19	6A4-14346-01	5 - 10	6F5-15716-01	8 - 8		20 - 15	676-41611-00	9 - 17	689-43160-00	14 - 19
61N-11605-00	3 - 19	6J0-14348-00	5 - 18	6F5-15723-01	8 - 34	652-24432-00	6 - 26	689-41612-01	9 - 21	689-43165-00	14 - 20
61N-11631-00-95	3 - 18	6J0-14353-25	5 - 56	6F5-15726-01	8 - 11	648-24434-01	6 - 27	676-41613-00	9 - 18	689-43191-00	14 - 14
689-11633-00	3 - 20	6A4-14355-00	5 - 33	61N-15734-00	8 - 7	648-24435-02	6 - 33	62C-41615-00	10 - 1	689-43192-01	14 - 15
688-11634-00	3 - 22	6A4-14355-10	5 - 34	6F5-15739-00	8 - 16	62C-24461-00	6 - 22	61N-41631-00-94	13 - 2	689-43311-03-4D	14 - 27
61N-11635-00	3 - 18	6L2-14357-00	5 - 55	6F5-15741-01	8 - 4	652-24461-00	6 - 21	689-42111-01-4D	12 - 2	682-43318-01	14 - 44
61N-11636-00	3 - 18	69T-14367-00	5 - 7	656-15748-00	8 - 37	652-24471-00	6 - 25	69P-42112-00-4D	12 - 7	689-43373-01	15 - 2
689-11651-00	3 - 12	6A4-14369-01	5 - 32	656-15749-00	8 - 41	61N-24521-00	6 - 11	664-42119-00	12 - 11	689-43614-01	14 - 38
689-11681-01	3 - 13	69T-14370-00	5 - 50	6G0-15754-00	8 - 9	61N-24560-00	6 - 9	656-42126-01	12 - 20	648-43615-00	14 - 39
6F5-12411-03	2 - 26	62C-14371-00	5 - 23	689-15755-01	8 - 14	61N-24563-00	6 - 10	6J0-42137-00	12 - 14	689-43616-00	14 - 33
655-12413-01-1S	2 - 28	6F5-14372-01	5 - 30	61N-15758-01-4D	8 - 18	62C-24566-01	6 - 13	689-42138-00	12 - 19	648-43617-00	14 - 36
655-12414-A1	2 - 29		20 - 28	61N-15762-00	8 - 19	6YL-24610-01	19 - 21	656-42153-00-94	13 - 14	689-43631-00	14 - 30
	20 - 7	62C-14379-00	5 - 46	6F5-15764-00	8 - 15	6YK-24610-10	19 - 2	689-42154-80-94	13 - 13	689-43633-00	14 - 31
6B8-13437-00	1 - 14	6J0-14379-10	5 - 43	61T-15770-00	8 - 36	6YL-24641-00	19 - 3	689-42169-01	13 - 10	648-43642-00	14 - 34
6J0-13610-00	4 - 1	6A4-14384-00	5 - 2	656-15771-00-94	8 - 29	62C-26311-00	12 - 23	6F6-42177-A0	12 - 12	689-43643-00	14 - 32
648-13621-A1	4 - 3		20 - 13	656-15772-00-94	8 - 31	61N-26326-00	11 - 17	69P-42511-00-4D	15 - 4	689-43681-01	14 - 43
	20 - 16	6J0-14384-00	5 - 36	61T-15774-40-94	8 - 39	6E0-28193-00-94	6 - 45	689-42521-00-94	15 - 7	689-44111-01-4D	13 - 24
648-13641-02-1S	4 - 4		20 - 29	6F5-15779-02	8 - 17	626-28193-01-94	6 - 45	647-42523-00	11 - 16	664-44113-01	13 - 25
648-13645-A0	4 - 5	648-14385-00	5 - 5	6A0-15789-00	8 - 22	6K8-41121-00-1S	2 - 31	648-42528-00	15 - 1	689-44121-01	13 - 32
	20 - 10		20 - 20	6YL-24201-04	19 - 20	6K8-41122-A1	2 - 32	624-42542-00	10 - 7	689-44125-00	13 - 33
6A4-13945-00	5 - 53	652-14385-00	5 - 40	6YK-24201-20	19 - 1		20 - 8	69T-42610-K0-4D	1 - 1	664-44142-00	13 - 27
6A4-14146-00	5 - 59		20 - 32	6YK-24260-01	19 - 4	61N-41123-00-1S	2 - 33	69P-42613-00-4D	1 - 7	61N-44143-00	13 - 37
652-14147-00	5 - 52	689-14386-00	5 - 27	6YL-24260-01	19 - 22	6K8-41124-A1	2 - 36	6G0-42615-00	1 - 2	61N-44146-00	13 - 41
	20 - 33		20 - 26	6YL-24268-01	19 - 7		20 - 9	61N-42628-00	1 - 10	61N-44150-00	17 - 62
6J0-14182-00	5 - 42	6A4-14386-00	5 - 39	680-24304-01	6 - 1	69P-41131-01-5B	16 - 6	689-42647-00	1 - 3	61N-44150-10	17 - 62
367-14195-00	5 - 26		20 - 31	680-24305-01	7 - 6	69P-41134-A0	16 - 7	6G0-42651-02	1 - 5	61N-44150-20	17 - 62
	20 - 25	6J0-14387-00	5 - 38		19 - 16		21 - 3	69P-42677-H0	1 - 12	664-44167-01	13 - 21
648-14198-00	4 - 10	6J0-14390-14	5 - 25	6Y1-24305-05	19 - 9	6A8-41135-00	16 - 14	62C-42678-K0	1 - 13	61N-44176-00	17 - 19
	20 - 11		20 - 24	6YK-24306-03	19 - 8		21 - 4	6A4-42711-05-4D	11 - 1	695-44194-00	10 - 2
646-14212-01	5 - 21	62C-14392-00	5 - 37	6Y3-24306-04	7 - 1	69P-41137-00-5B	16 - 9	664-42715-00	13 - 20	69P-44311-00	17 - 10

NUMERICAL INDEX

PART NO.	REF. NO.	PART NO.	REF. NO.	PART NO.	REF. NO.	PART NO.	REF. NO.	PART NO.	REF. NO.	PART NO.	REF. NO.
69P-44311-00	21 - 21	69P-45300-21-4D	17 - 1	69P-47467-00-5B	16 - 16	90119-06024	16 - 19	90243-04007	14 - 4	90480-29045	15 - 5
69P-44322-00	21 - 23	61N-45311-02-4D	17 - 2	69P-47467-10-5B	16 - 16	90119-06025	8 - 33	90249-06M22	14 - 35	90501-09M08	13 - 23
69P-44322-40	17 - 12	61N-45315-00	17 - 27	61N-81313-09	9 - 4	90119-06M48	18 - 7	90250-05010	17 - 46	90501-10065	17 - 48
	21 - 31		21 - 10	6E9-81328-70	9 - 7	90119-06M49	13 - 4	90266-04M00	1 - 6	90501-10227	8 - 38
61N-44323-00	21 - 26	61N-45321-00	17 - 20	6H3-81922-00	10 - 18	90119-06M73	11 - 13	90266-04M01	1 - 4	90501-14M07	13 - 22
61N-44323-40	17 - 15	61N-45331-00-5B	17 - 24	61N-82317-00	10 - 6	90119-06M95	10 - 8	90269-02M09	12 - 15	90501-23215	12 - 17
	21 - 32	688-45341-10	17 - 34	66T-82370-00	10 - 29	90119-06MA0	2 - 39	90280-03M03	17 - 37	90502-10M07	14 - 22
65W-44328-11	17 - 18	61N-45361-01-4D	17 - 52	61N-82519-01	10 - 10	90119-06MA2	2 - 24		21 - 29	90506-16M17	14 - 46
6H4-44352-02	17 - 13	61N-45371-00	18 - 6	682-82556-00	11 - 19	90119-06MA3	2 - 37	90280-05015	9 - 14	90506-30M27	14 - 42
	21 - 24	61N-45375-00	16 - 21	6E9-82575-02	11 - 18		8 - 30	90340-08002	17 - 29	90508-14M13	13 - 34
	18 - 1	61N-45510-00	17 - 36	689-8257Y-00	11 - 20	90119-06MA4	2 - 38	90381-12M01	15 - 20	91490-12010	13 - 30
61N-44361-00	18 - 1	61N-45510-10	17 - 36	6A1-83625-41	4 - 28	90119-08009	2 - 3	90386-08032	12 - 18	91490-16010	5 - 14
61N-44361-10	18 - 1	61N-45510-20	17 - 36	6E0-83627-41	12 - 24	90119-08015	2 - 25	90386-10009	13 - 15		8 - 48
61N-44362-00	17 - 7	61N-45536-00	17 - 5	6E9-85516-70	9 - 9	90119-08M03	15 - 47	90386-12069	11 - 11		13 - 28
61N-44362-10	17 - 7	61N-45551-00	17 - 38	663-85518-00	13 - 9	90119-08M65	2 - 4	90386-22M67	14 - 12		14 - 41
689-44366-00	18 - 2	61N-45560-10	17 - 42	61N-85537-00	9 - 13	90149-05M13	12 - 13	90386-38022	15 - 13	91490-20010	13 - 40
	21 - 5	6L2-45567-00	17 - 41	61N-85540-13	10 - 13	90151-05M05	18 - 10	90386-38090	15 - 11	91490-30022	18 - 16
6L2-44367-00	17 - 11	6L2-45567-10	17 - 41	69P-85541-09	9 - 3	90151-06M02	2 - 18	90386-47M22	15 - 10	91490-30025	16 - 15
	21 - 7	6L2-45567-20	17 - 41	61N-85542-00-94	10 - 5	90157-05M16	19 - 5	90387-06568	8 - 45	91690-30008	14 - 21
664-44514-00-94	15 - 35	6L2-45567-30	17 - 41	61N-85543-09	9 - 5	90170-10M42	15 - 27	90387-06M02	13 - 3	91690-30016	14 - 16
689-44516-00	15 - 30	6L2-45567-40	17 - 41	61N-85543-19	9 - 6	90171-14013	18 - 15	90387-08M03	14 - 24	91690-40016	13 - 36
69P-44518-00-94	15 - 14	61N-45571-00	17 - 50	61N-85550-10	9 - 1	90176-10M01	15 - 38	90387-08M25	11 - 3	91690-40018	13 - 16
648-44519-00-94	15 - 16	6L2-45577-00	17 - 51	69P-85560-00	9 - 2	90179-06M24	1 - 8	90387-10M39	15 - 15	91690-40035	14 - 47
689-44551-01-4D	15 - 43	6L2-45577-10	17 - 51	69P-85561-00	9 - 10	90179-10M03	16 - 25	90387-13003	12 - 3	91690-40040	4 - 26
689-44552-01-4D	15 - 45	6L2-45577-20	17 - 51	61N-85570-00	10 - 20	90179-10M14	17 - 39	90387-32002	3 - 16	92903-05600	8 - 47
689-44553-00-94	15 - 39	6L2-45577-30	17 - 51	61N-85570-10	10 - 25	90179-16M05	9 - 15	90387-33001	12 - 4	92903-06600	2 - 16
689-44555-00	15 - 44	61N-45587-00	17 - 4	69T-W0001-00	20 - 1	90185-05002	18 - 11	90430-08020	17 - 30		4 - 7
689-44557-00	15 - 40	61N-45587-10	17 - 4	69P-W0001-20	21 - 1	90185-06062	12 - 22		21 - 13		8 - 43
648-44591-A0	15 - 29	61N-45587-20	17 - 4	689-W0004-60	4 - 2	90185-22043	14 - 10	90445-09M55	5 - 57	92903-10600	12 - 16
664-44591-A0	15 - 36	61N-45587-30	17 - 4	61N-W0070-H0	1 - 11	90201-06M30	10 - 9	90445-09M69	5 - 58	92990-04500	6 - 24
69P-45111-00-4D	16 - 1	61N-45587-40	17 - 4	69P-W0078-00	21 - 20	90201-08M87	11 - 4	90445-09M75	6 - 5	92990-05100	5 - 16
69P-45111-10-4D	16 - 1	61N-45587-50	17 - 4	69P-W0078-0A	21 - 30	90201-16M44	9 - 16	90445-10M41	2 - 35		6 - 36
689-45113-A1	2 - 41	61N-45587-60	17 - 4	69T-W0084-00-4D	12 - 1	90201-20417	17 - 49	90445-10M42	6 - 40	92990-05600	4 - 18
	20 - 14	61N-45587-70	17 - 4	69T-W0090-00-1S	2 - 1	90201-20M27	3 - 23	90445-10M43	6 - 6		9 - 20
	21 - 2	65W-45611-00	17 - 43	69T-W0093-00	20 - 18	90201-21567	2 - 27	90445-11M05	7 - 4		13 - 31
663-45119-00	14 - 18	664-45631-02	17 - 45	61N-W1571-11	8 - 1	90201-22M03	14 - 11		19 - 13	92990-06100	10 - 12
	15 - 23	648-45633-00	17 - 47	656-W2810-02	6 - 44	90201-28013	12 - 5	90445-11M06	7 - 2	92990-06300	17 - 33
61N-45127-00	17 - 26	648-45635-00	17 - 44	90101-08339	14 - 23	90201-50306	2 - 40		19 - 19	92990-08600	11 - 7
	21 - 11	62C-45941-00-EL	18 - 17	90105-06M07	13 - 26	90202-06007	13 - 29	90445-11M81	7 - 8		14 - 25
69P-45127-00	16 - 17	664-45941-01-EL	18 - 17		15 - 6	90202-10024	13 - 35		19 - 14	92990-10200	15 - 28
69P-45128-00	16 - 18	664-45943-01-EL	18 - 17	90105-06M08	15 - 26	90202-24M32	3 - 15	90461-06M01	4 - 27	92990-14200	18 - 14
69P-45159-00	16 - 20	664-45945-00-EL	18 - 17	90105-06M18	15 - 3	90206-05005	8 - 46	90465-13M11	10 - 19	92995-05600	13 - 19
61N-45211-20-4D	16 - 23	664-45947-01-EL	18 - 17	90105-08M10	8 - 35	90206-08010	8 - 44	90467-08004	6 - 7	92995-06600	2 - 11
6L2-45214-00	18 - 8	664-45949-02-EL	18 - 17	90105-10M12	18 - 4	90206-12052	11 - 10	90467-09M03	6 - 8		4 - 15
6L2-45215-00	18 - 9	664-45952-00-EL	18 - 17	90109-06M12	14 - 7	90206-28001	12 - 6	90480-14M14	1 - 9		6 - 3
61N-45251-01	17 - 31	664-45954-00-EL	18 - 17	90109-06M18	14 - 45	90209-05M24	4 - 16	90480-15M06	11 - 2		8 - 21
69P-45300-01-4D	17 - 1	6L2-45987-01	18 - 12	90116-06M08	4 - 13	90209-47016	15 - 9	90480-17M08	11 - 21		10 - 4
69P-45300-11-4D	17 - 1	689-45997-00	18 - 13	90116-10M34	16 - 22	90240-05047	14 - 40	90480-25161	10 - 26		12 - 10

NUMERICAL INDEX

PART NO.	REF. NO.	PART NO.	REF. NO.	PART NO.	REF. NO.	PART NO.	REF. NO.	PART NO.	REF. NO.	PART NO.	REF. NO.
92995-06600	15 - 19	93602-20M02	3 - 21	97095-06040	21 - 27						
	17 - 17	93604-10M03	17 - 25	97095-08020	16 - 10						
	21 - 28	93606-11M24	16 - 24	97595-06550	6 - 39						
92995-08600	15 - 42		18 - 3		12 - 8						
	16 - 5	93606-12019	2 - 5	97595-08565	15 - 48						
92995-10600	16 - 26		15 - 17	97607-04112	9 - 11						
	18 - 5		16 - 3	97607-06125	9 - 12						
93101-16001	2 - 8	93608-12063	15 - 8	97802-04006	9 - 8						
	20 - 3	93700-06M03	14 - 17	97880-05012	9 - 19						
93101-20M07	17 - 56		15 - 22	97880-05030	4 - 17						
	21 - 15	94702-00217	2 - 42	97880-06010	9 - 22						
93101-22067	17 - 28	95303-08700	8 - 12	97880-06016	16 - 8						
	21 - 12	95380-03600	6 - 31	97890-04005	5 - 49						
93102-25008	2 - 7	95380-05600	13 - 12	97980-04112	5 - 9						
	20 - 2	95380-05700	5 - 17	98503-05028	6 - 35						
93102-32M07	3 - 7		13 - 7	98580-04015	5 - 12						
93210-06ME6	17 - 21	95380-06600	4 - 14	98780-04010	6 - 23						
	21 - 9		8 - 28	99080-05600	14 - 37						
93210-08287	7 - 7		13 - 42	99530-10014	8 - 25						
	19 - 10	95380-08600	6 - 14								
93210-22164	17 - 8		14 - 26								
	21 - 17		15 - 46								
93210-26130	17 - 9	95380-08700	11 - 6								
	21 - 6	95895-06035	17 - 32								
93210-32738	6 - 12	97013-06016	2 - 15								
	20 - 17	97013-06025	4 - 6								
93210-37160	15 - 12	97013-06035	4 - 8								
93210-39M89	4 - 12	97013-08030	8 - 10								
	20 - 12	97075-06020	17 - 58								
93210-45161	17 - 14	97075-08025	15 - 41								
	21 - 8	97075-08030	16 - 4								
93210-46M16	3 - 8	97090-06012	10 - 11								
93210-58M21	2 - 9	97095-05014	13 - 18								
	20 - 4	97095-06010	8 - 40								
93210-64ME7	17 - 54		10 - 3								
	21 - 14	97095-06012	6 - 15								
93210-65M50	17 - 57		13 - 5								
	21 - 16	97095-06016	8 - 20								
93306-00612	17 - 53	97095-06018	15 - 18								
93306-305U3	3 - 9	97095-06020	6 - 2								
93310-62406	3 - 14		8 - 42								
93315-22004	17 - 55		10 - 14								
93315-220V7	17 - 6		12 - 9								
93332-00005	17 - 40		15 - 31								
93332-000W5	17 - 3	97095-06022	2 - 10								
93390-00009	3 - 17	97095-06025	17 - 22								
93399-99951	3 - 6	97095-06035	8 - 23								
93440-62057	3 - 11	97095-06040	17 - 16								

EK25BMH
PARTS CATALOGUE
©2004 by Yamaha Motor Co., Ltd.
1st edition, June 2004
All rights reserved.
Any reprinting or unauthorized use
without the written permission of
Yamaha Motor Co., Ltd.
is expressly prohibited.
Printed in Japan.