

PARTS CATALOGUE

EK25BMH'03(69T3)

1B69T-200E1

FOREWORD

This Parts Catalogue is related to the parts for the model(s) in the below frame. When you are ordering replacement parts, please refer to this Parts Catalogue and quote both part numbers and part names correctly.

EK25BMH'03(69T3)

1. Modifications or additions which have been made after issue of the Parts Catalogue will be announced in the Yamaha Parts News.
It is advisable that you make necessary corrections to the Parts Catalogue according to the Yamaha Parts News.

2. Abbreviations

The Following abbreviations are used in this Parts Catalogue.

“UR” Use specified parts number.

“UN” Use as many as needed.

“AP” Alternate Parts

“LM” Local Made
(Parts need to be ordered locally)

“O/S” Over Size

3. Parts, which are to be supplied in an assembly, are listed with a dot(.) in front of the part name as shown below.

EXAMPLE

CARBURETOR ASSY

.JET, PILOT

.NOZZLE, MAIN

4. Number of component for assembly

The numeral appearing to the right of each component part indicates the quantity of parts for each assembly unit.

EXAMPLE

PART NO.	DESCRIPTION	u	u	u	u	REMARKS
6E0-85500-70	C.D.I. MAGNETO ASSY	1				
6E0-85550-70	.ROTOR ASSY	1				
6E0-15723-00-94	.PULLY, STARTER	1				

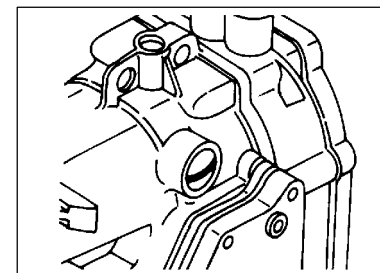
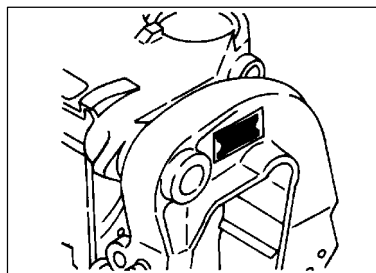
5. Quantity Column Information

NAME for Q'TY COLUMN	APPLICABLE MODEL
EK25	EK25BMH

6. Applicable Starting Serial No. and Color Code

1) Engine Starting Serial No.

EK25BMH S/L/Y 62CK : 1000001



2) Color Code

Color Code	Color Name	Abbreviation
004D	DARK BLUISH GRAY METALLIC 2	DBNM2

7. Note that the illustrations for reference in finding parts numbers, not to be used for assembling. When assembling, please use the applicable service manual.
8. The asterisk (*) before a reference number indicates modification items after the first edition.

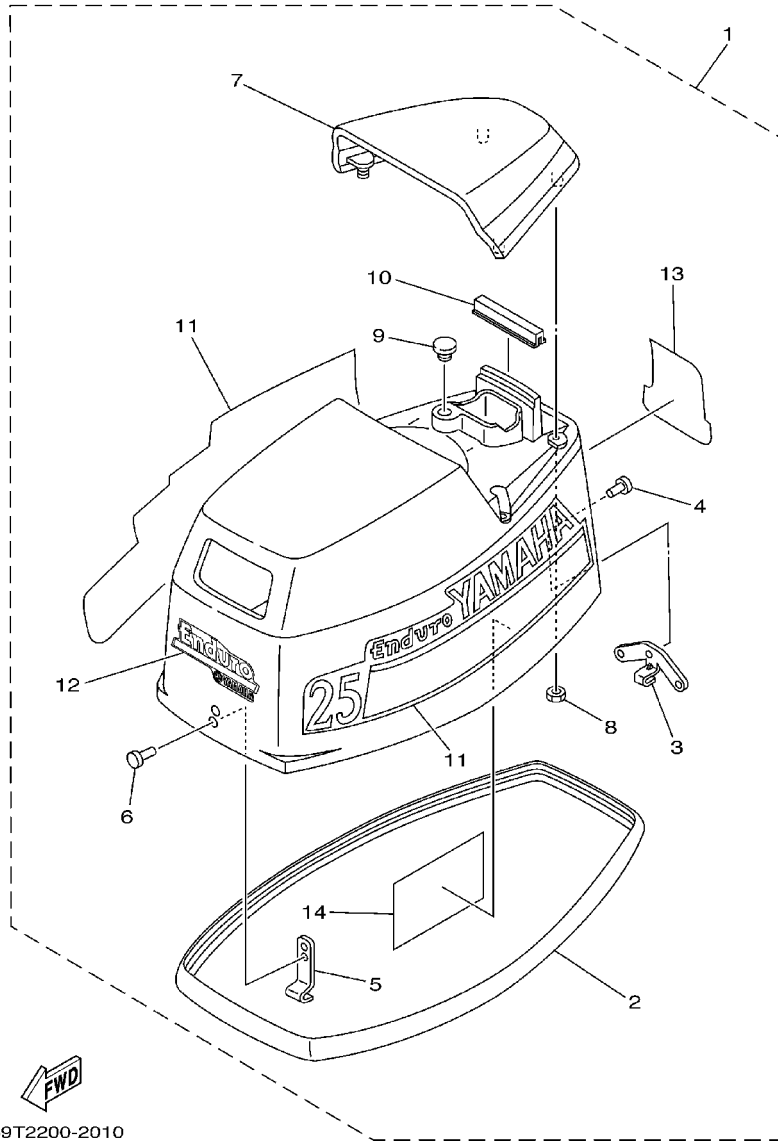
CONTENTS

TOP COWLING	A4
CYLINDER. CRANKCASE	A5
CRANKSHAFT. PISTON	A7
INTAKE	B1
CARBURETOR	B3
FUEL	B6
STARTER	C1
GENERATOR	C3
ELECTRICAL	C4
BOTTOM COWLING	C6
STEERING	C7
CONTROL	D1
BRACKET 1	D3
BRACKET 2	D5
UPPER CASING	D7
LOWER CASING. DRIVE 1	E2
LOWER CASING. DRIVE 2	E6
FUEL TANK	E7
REPAIR KIT 1	F1
REPAIR KIT 2	F3

INDEX

NUMERICAL INDEX	F5
-----------------------	----

FIG. 1 TOP COWLING



REF. NO.	PART NO.	DESCRIPTION	EK25				REMARKS
1	69T-42610-K0-4D	TOP COWLING ASSY	1				
2	6G0-42615-00	.SEAL	1				
3	689-42647-00	.HOLDER, CLAMP BAND	1				
4	90266-04M01	.RIVET	3				
5	6G0-42651-02	.HOOK	1				
6	90266-04M00	.RIVET	2				
7	69P-42613-00-4D	.MOLDING, AIR DUCT	1				
8	90179-06M24	.NUT	4				
9	90480-14M14	.GROMMET	1				
10	61N-42628-00	.SEAL	1				
11	61N-W0070-H0	.GRAPHIC SET	1				
12	69P-42677-H0	.GRAPHIC, FRONT	1				
13	62C-42678-K0	.GRAPHIC, REAR	1				
14	677-13437-08	.MARK, CAUTION	1				

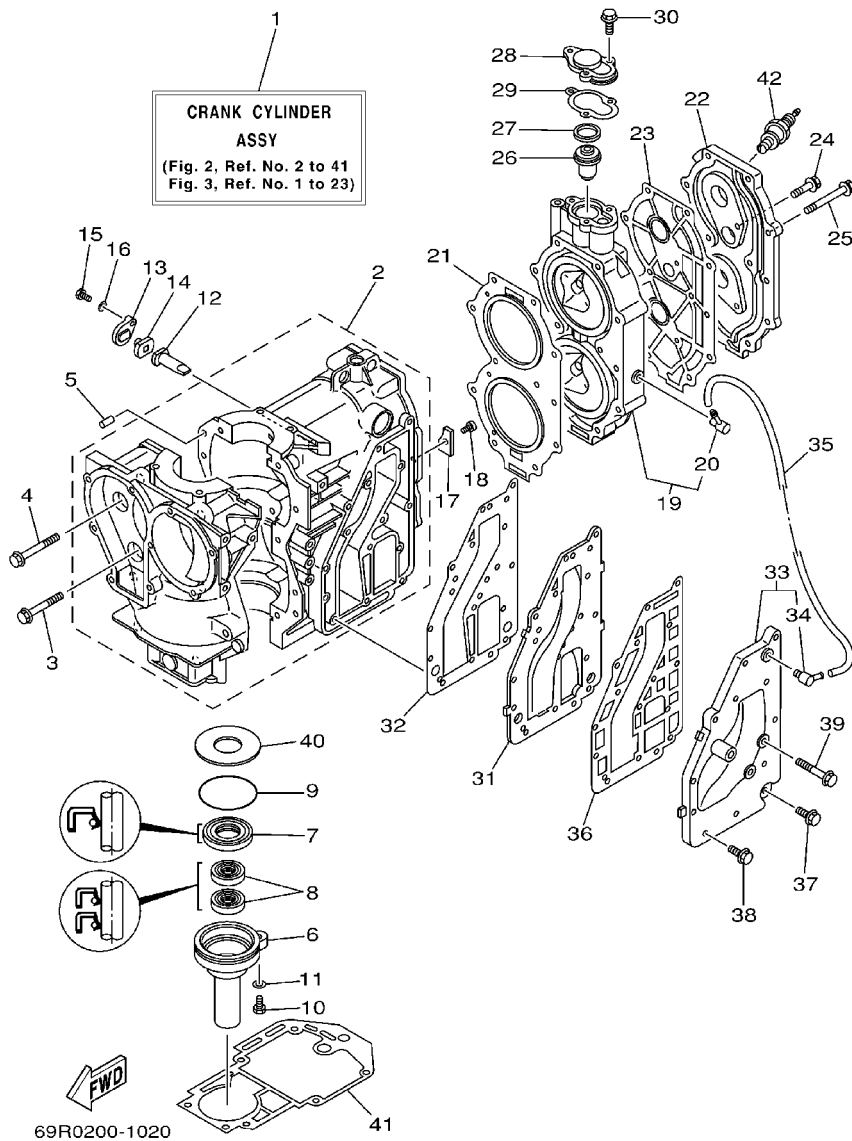


FIG. 2 CYLINDER. CRANKCASE

REF. NO.	PART NO.	DESCRIPTION	EK25				REMARKS
1	69T-W0090-00-1S	CRANK CYLINDER ASSY	1				
2	69P-15100-00-1S	CRANKCASE ASSY	1				
3	90119-08009	BOLT, WITH WASHER	2				
4	90119-08M65	BOLT, WITH WASHER	8				
5	93606-12019	PIN, DOWEL	2				
6	689-15396-01-5B	HOUSING, OIL SEAL	1				
7	93102-25008	OIL SEAL	1				
8	93101-16001	OIL SEAL	2				
9	93210-58M21	O-RING	1				
10	97095-06022	BOLT	1				
11	92995-06600	WASHER	1				
12	6J8-11325-00	ANODE	1				
13	6H3-11327-00-1S	COVER, ANODE	1				
14	6H3-11328-00	GROMMET, ANODE	1				
15	97013-06016	BOLT	1				
16	92903-06600	WASHER, PLATE	1				
17	689-11325-00	ANODE	1				
18	90151-06M02	SCREW, COUNTERSUNK	1				
19	62C-11111-00-1S	HEAD, CYLINDER 1	1				
20	676-11372-00	.NIPPLE, HOSE	1				
21	61N-11181-A1	GASKET, CYLINDER HEAD 1	1				
22	61N-11191-01-1S	COVER, CYLINDER HEAD 1	1				
23	61T-11193-A1	GASKET, HEAD COVER 1	1				
24	90119-06MA2	BOLT, WITH WASHER	2				
25	90119-08015	BOLT, WITH WASHER	11				
26	6F5-12411-02	THERMOSTAT	1				
27	90201-21567	WASHER, PLATE	1				

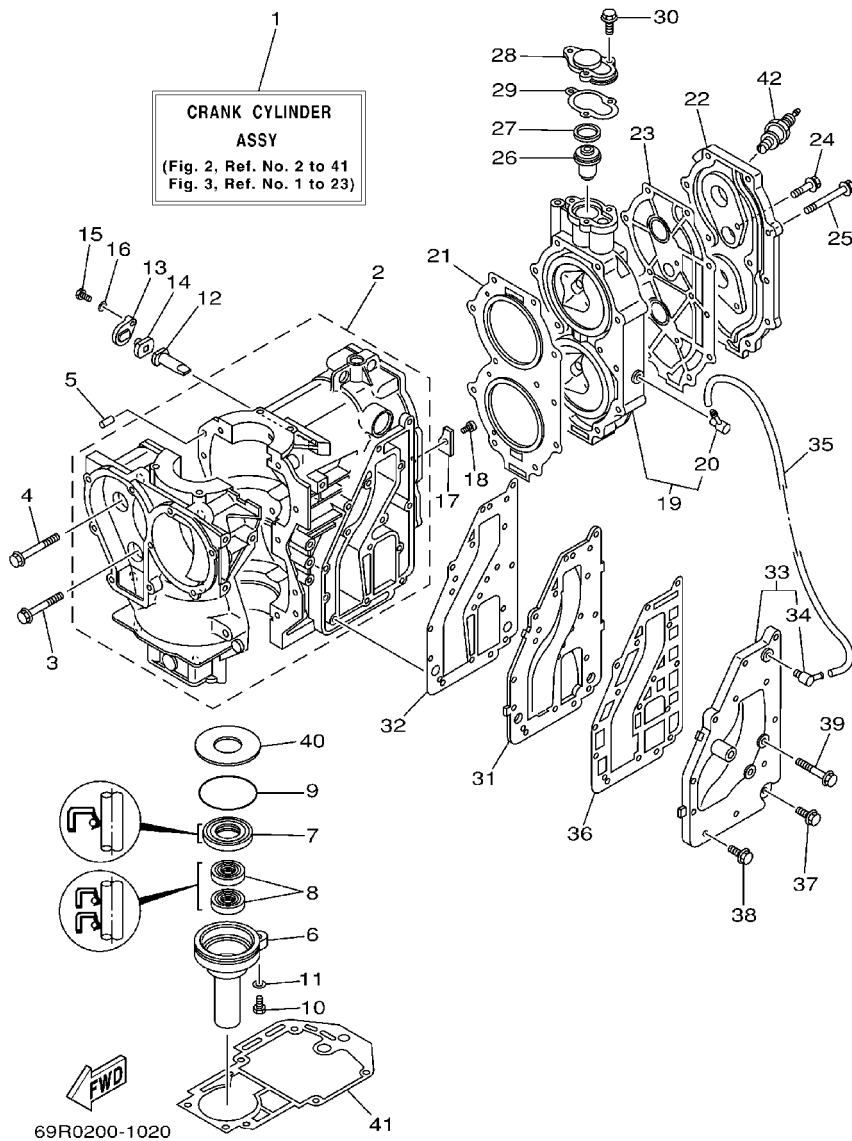
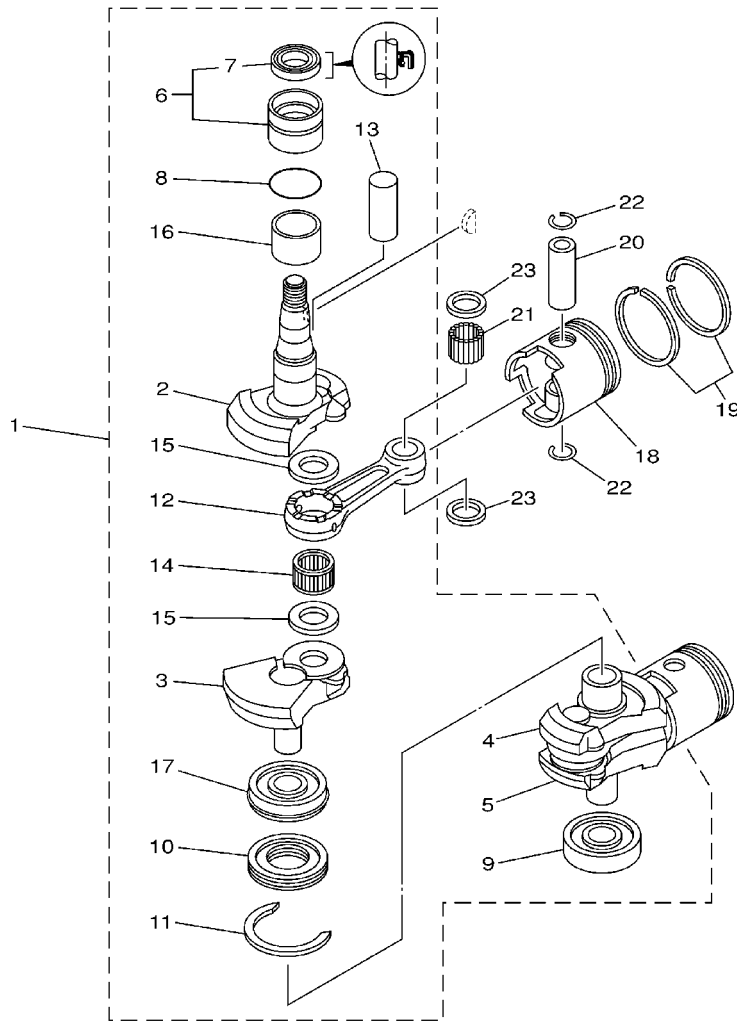


FIG. 2 CYLINDER. CRANKCASE

REF. NO.	PART NO.	DESCRIPTION	EK25				REMARKS
28	655-12413-01-1S	COVER, THERMOSTAT	1				
29	655-12414-A1	GASKET, COVER	1				
30	90119-06MA2	BOLT, WITH WASHER	3				
31	6K8-41121-00-1S	INNER COVER, EXHAUST	1				
32	6K8-41122-A1	GASKET, EXHAUST INNER COVER	1				
33	61N-41123-00-1S	OUTER COVER, EXHAUST	1				
34	676-11372-00	.NIPPLE, HOSE	1				
35	90445-10M41	HOSE (L105)	1				
36	6K8-41124-A1	GASKET, EXHAUST OUTER COVER	1				
37	90119-06MA3	BOLT, WITH WASHER	1				
38	90119-06MA4	BOLT, WITH WASHER	11				
39	90119-06MA0	BOLT, WITH WASHER	3				
40	90201-50306	WASHER, PLATE	1				
41	689-45113-A1	GASKET, UPPER CASING	1				
42	94702-00217	PLUG, SPARK (NGK B7HS-10)	2				

FIG. 3 CRANKSHAFT. PISTON



69R0010-1030

REF. NO.	PART NO.	DESCRIPTION	EK25				REMARKS
1	69T-11400-00	CRANKSHAFT ASSY	1				
2	69P-11412-00	.CRANK 1	1				
3	61N-11422-00	.CRANK 2	1				
4	61N-11432-00	.CRANK 3	1				
5	61N-11442-00	.CRANK 4	1				
6	93399-99951	.BEARING	1				
7	93102-32M07	..OIL SEAL	1				
8	93210-46M16	.O-RING	1				
9	93306-305U3	.BEARING	1				
10	61N-11515-00	.SEAL, LABYRINTH 1	1				
11	93440-62057	.CIRCLIP	1				
12	689-11651-00	.ROD, CONNECTING	2				
13	689-11681-01	.PIN, CRANK 1	2				
14	93310-62406	.BEARING	2				
15	90202-24M32	.WASHER, PLATE	4				
16	90387-32002	.COLLAR	1				
17	93390-00009	.BEARING	1				
18	61N-11631-00-95	PISTON (STD)	2				
	61N-11635-00	PISTON (0.25MM O/S)	2				AP
	61N-11636-00	PISTON (0.50MM O/S)	2				AP
19	61N-11603-00	PISTON RING SET (STD)	2				
	61N-11604-00	PISTON RING SET (0.25MM O/S)	2				AP
	61N-11605-00	PISTON RING SET (0.50MM O/S)	2				AP
20	689-11633-00	PIN, PISTON	2				
21	93602-20M02	PIN, DOWEL	68				
22	688-11634-00	CLIP, PISTON PIN	4				
23	90201-20M27	WASHER, PLATE	4				

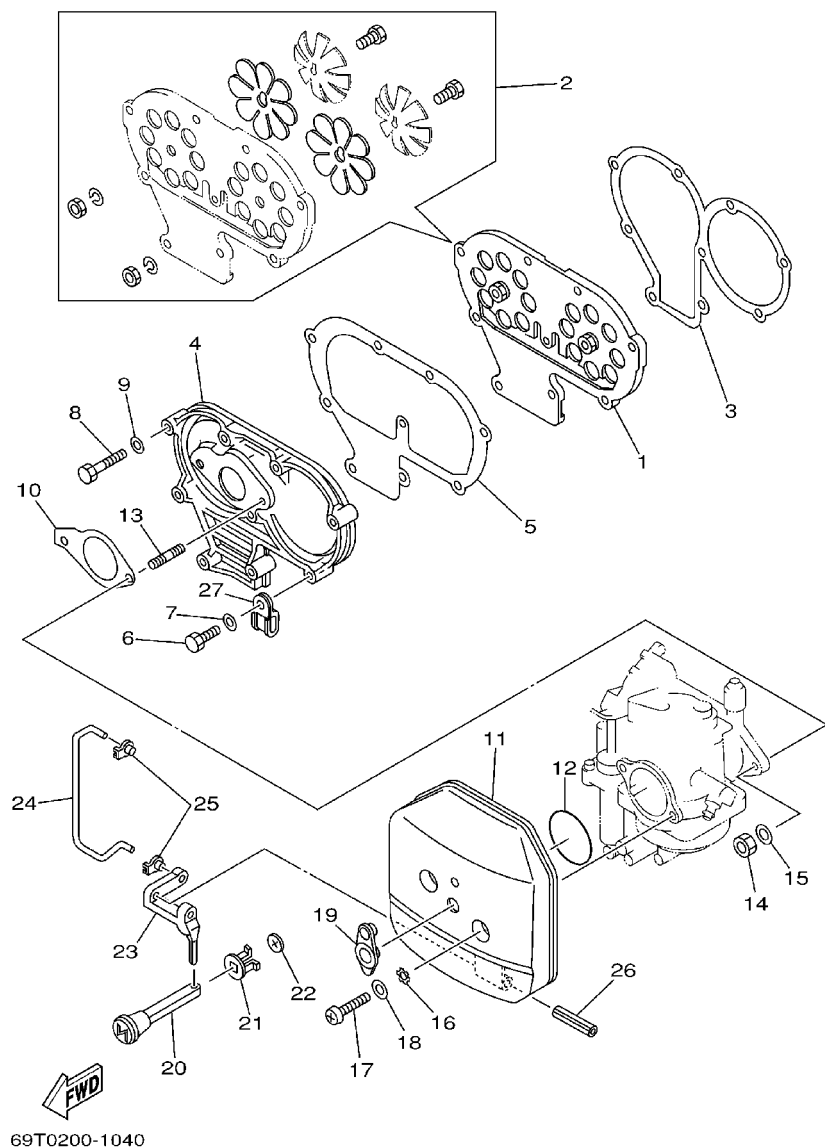
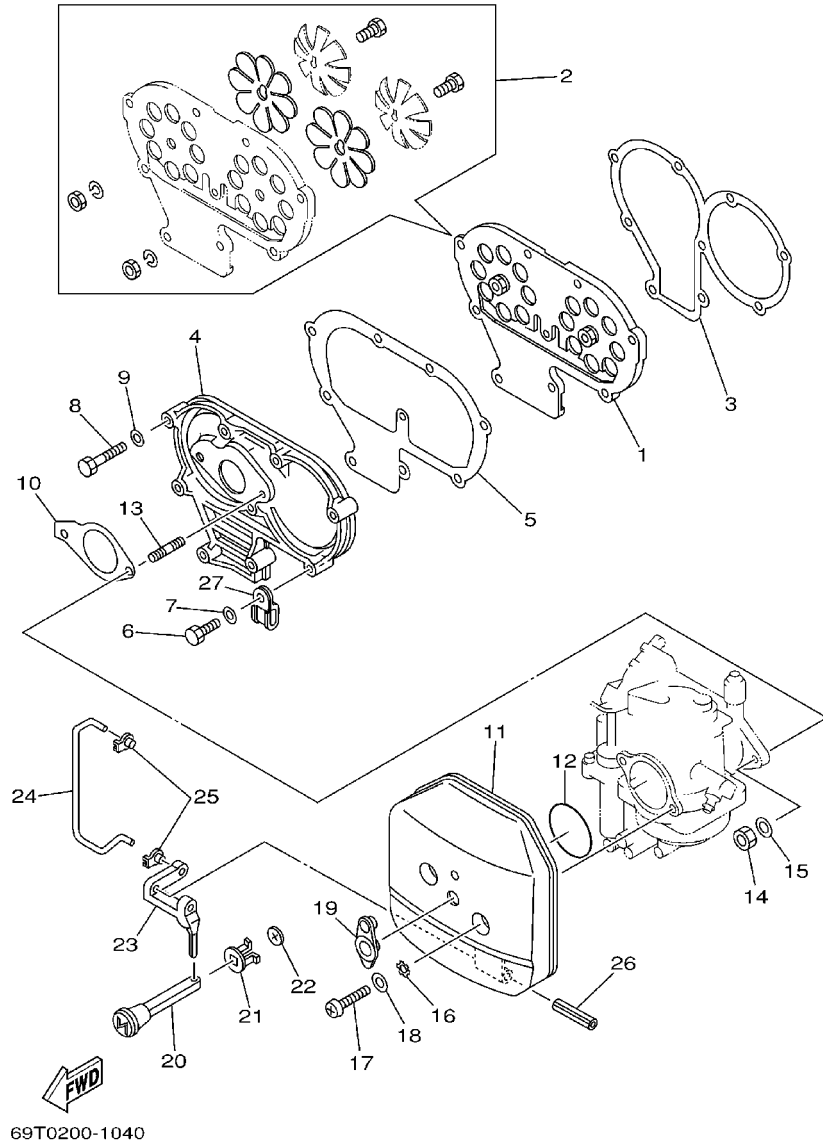


FIG. 4 INTAKE

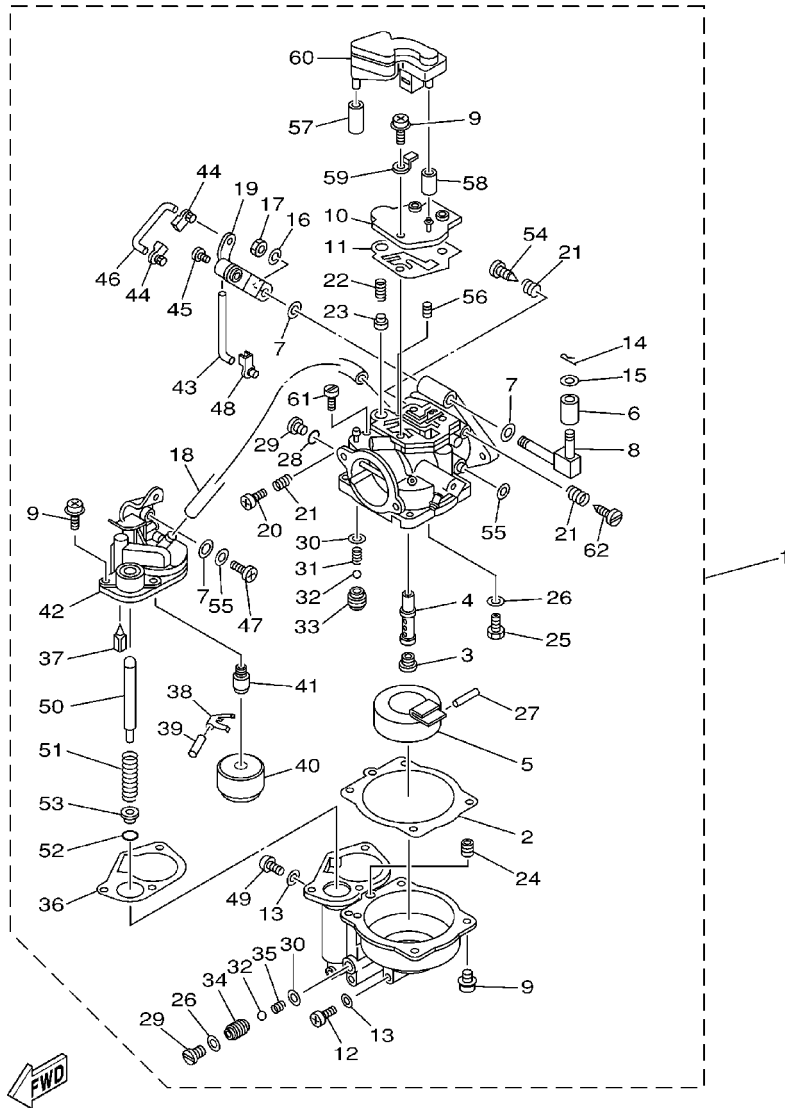
REF. NO.	PART NO.	DESCRIPTION	EK25				REMARKS
1	6J0-13610-00	REED VALVE ASSY	1				FOR SRI LANKA
	62C-13610-00	REED VALVE ASSY	1				
2	689-W0004-60	.REED SET	1				
3	648-13621-A1	GASKET, VALVE SEAT	1				
4	648-13641-02-1S	MANIFOLD 1	1				
5	6J0-13645-00	GASKET, MANIFOLD 1	1				
6	97013-06025	BOLT	2				
7	92903-06600	WASHER, PLATE	2				
8	97013-06035	BOLT	7				
9	92903-06600	WASHER, PLATE	7				
10	648-14198-00	GASKET	1				
11	62C-14440-00	SILENCER ASSY, INTAKE	1				
12	93210-39M89	O-RING	1				
13	90116-06M08	BOLT, STUD	2				
14	95380-06600	NUT, HEXAGON	2				
15	92995-06600	WASHER	2				
16	90209-05M24	WASHER	2				
17	97880-05030	SCREW, PAN HEAD	2				
18	92990-05600	WASHER, PLATE	2				
19	62C-14435-00	GROMMET	1				
20	682-41271-00	KNOB, CHOKE	1				
21	689-41273-00	GROMMET	1				
22	6J8-41274-00	GROMMET 2	1				
23	6J0-41252-00	LEVER, CHOKE 1	1				
24	62C-41256-00	ROD, CHOKE 1	1				
25	661-41262-02	JOINT, CHOKE LEVER	2				
26	91690-40040	PIN, SPRING	1				

FIG. 4 INTAKE



REF. NO.	PART NO.	DESCRIPTION	EK25				REMARKS
27	90461-06M01	CLAMP	1				

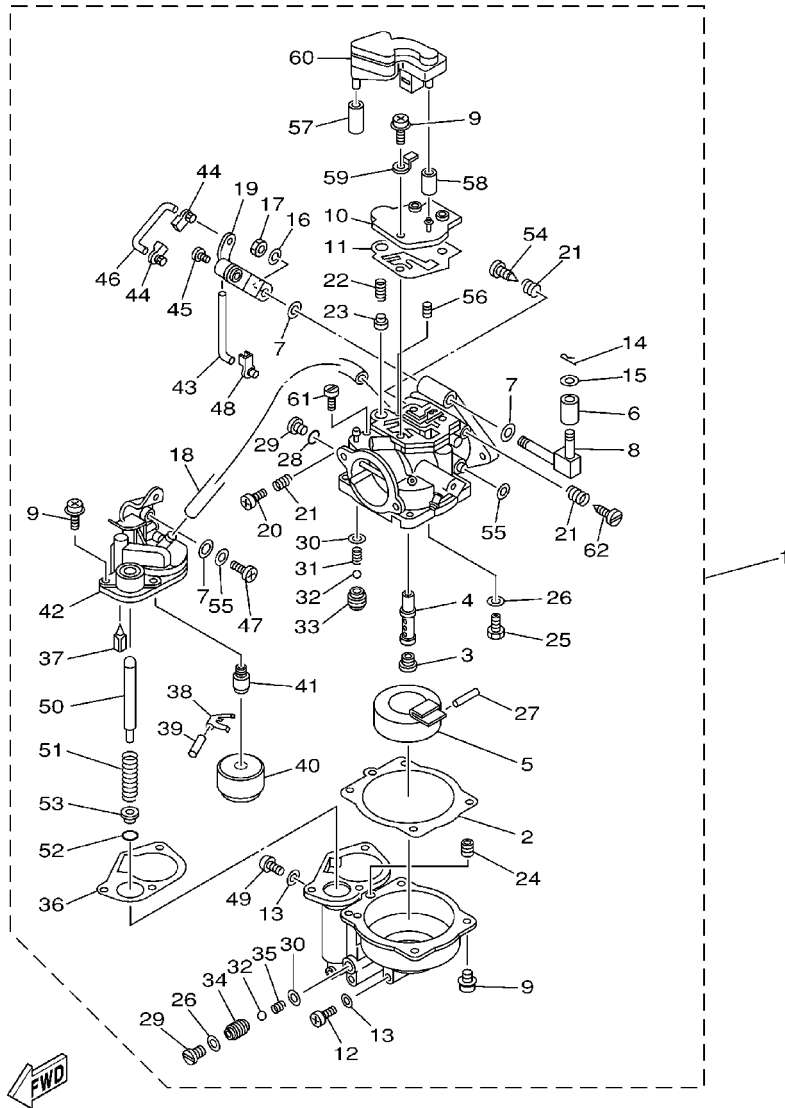
FIG. 5 CARBURETOR



69T0200-1050

REF. NO.	PART NO.	DESCRIPTION	EK25				REMARKS
1	69T-14301-00	CARBURETOR ASSY 1	1				
2	6A4-14384-00	.GASKET, FLOAT CHAMBER	1				
3	648-14343-78	.JET, MAIN (#155)	1				
4	6J0-14341-00	.NOZZLE, MAIN	1				
5	648-14385-00	.FLOAT	1				
6	69T-41231-00	.COLLAR, GUIDE PIN	1				
7	69T-14367-00	.COLLAR	3				
8	69T-41216-00	.SHEAVE SHAFT, ACCEL. LINK	1				
9	97980-04112	.SCREW, WITH WASHER	10				
10	6A4-14346-01	.PLATE	1				
11	6A4-14398-01	.GASKET	1				
12	98580-04015	.SCREW, PAN HEAD	1				
13	650-14227-01	.PACKIN	2				
14	91490-16010	.PIN, COTTER	1				
15	62Y-14597-00	.WASHER	1				
16	92990-05100	.WASHER, SPRING	1				
17	95380-05700	.NUT	1				
18	6J0-14348-00	.PIPE 1	1				
19	69T-14310-00	.ACCEL ARM ASSY	1				
20	664-14321-01	.SCREW, THROTTLE	1				
21	646-14212-01	.SPRING, PILOT ADJUSTING	3				
22	656-14335-00	.SPRING, PLUNGER	1				
23	62C-14371-00	.PLUNGER, STARTER	1				
24	6J0-14344-43	.JET, STARTER (# 86)	1				
25	6J0-14390-14	.NEEDLE VALVE ASSY	1				
26	367-14195-00	.GASKET	2				
27	689-14386-00	.PIN, FLOAT	1				

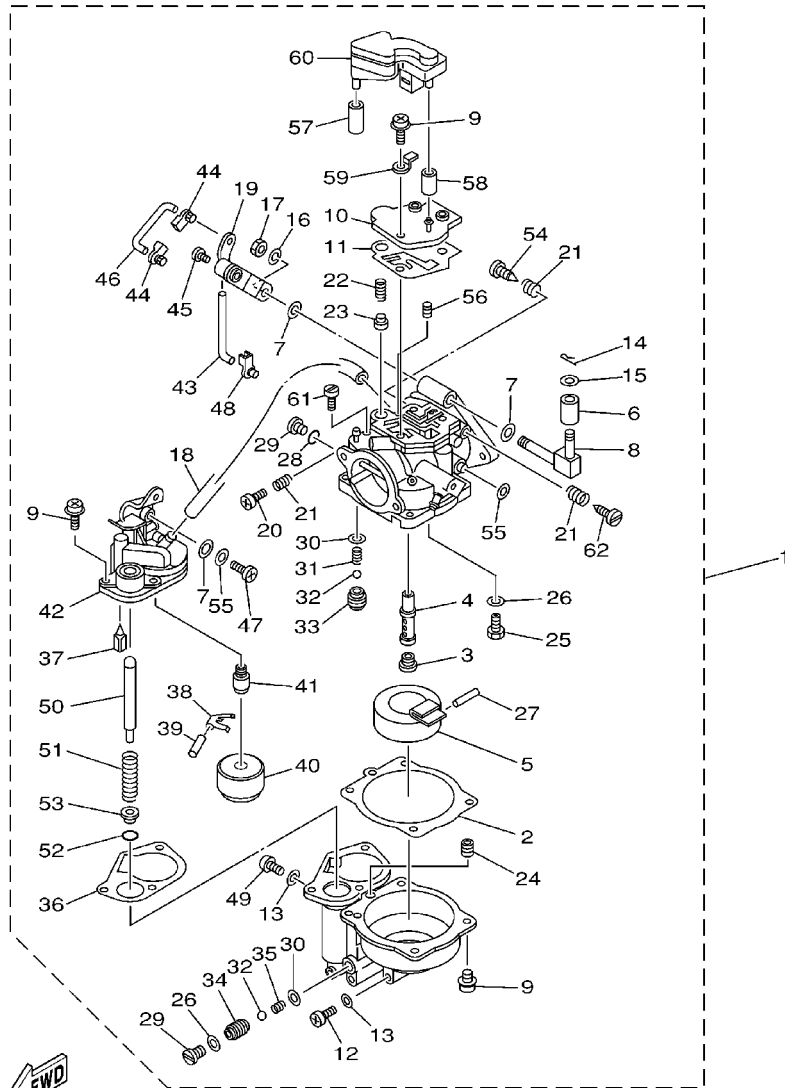
FIG. 5 CARBURETOR



69T0200-1050

REF. NO.	PART NO.	DESCRIPTION	EK25				REMARKS
28	652-14397-00	.O-RING	1				
29	6A4-14394-00	.SCREW, DRAIN	2				
30	6F5-14372-01	.SEAT, PACKING	2				
31	6F5-14332-01	.SPRING	1				
32	6A4-14369-01	.BALL	2				
33	6A4-14355-00	.SEAT, BALL	1				
34	6A4-14355-10	.SEAT, BALL	1				
35	6A4-14332-00	.SPRING, AIR VALVE	1				
36	6J0-14384-00	.GASKET, FLOAT CHAMBER	1				
37	62C-14392-00	.VALVE, NEEDLE	1				
38	6J0-14387-00	.ARM, FLOAT	1				
39	6A4-14386-00	.PIN, FLOAT	1				
40	652-14385-00	.FLOAT	1				
41	6J0-14342-24	.JET, PILOT (# 48)	1				
42	6J0-14182-00	.COVER, FLOAT CHAMBER	1				
43	6J0-14379-10	.ROD, STARTER	1				
44	6F5-41262-01	.JOINT, THROTTLE LEVER	2				
45	677-14327-01	.SCREW	1				
46	62C-14379-00	.ROD, STARTER	1				
47	6J0-14329-01	.SCREW	1				
48	661-41262-02	.JOINT, CHOKE LEVER	1				
49	97890-04005	.SCREW, PAN HEAD	1				
50	69T-14370-00	.PLUNGER STARTER ASSY	1				
51	6A4-14339-01	.SPRING	1				
52	652-14147-00	.O-RING	1				
53	6A4-13945-00	.CHECK VALVE ASSY.	1				
54	647-14323-00	.SCREW, AIR ADJUSTING	1				

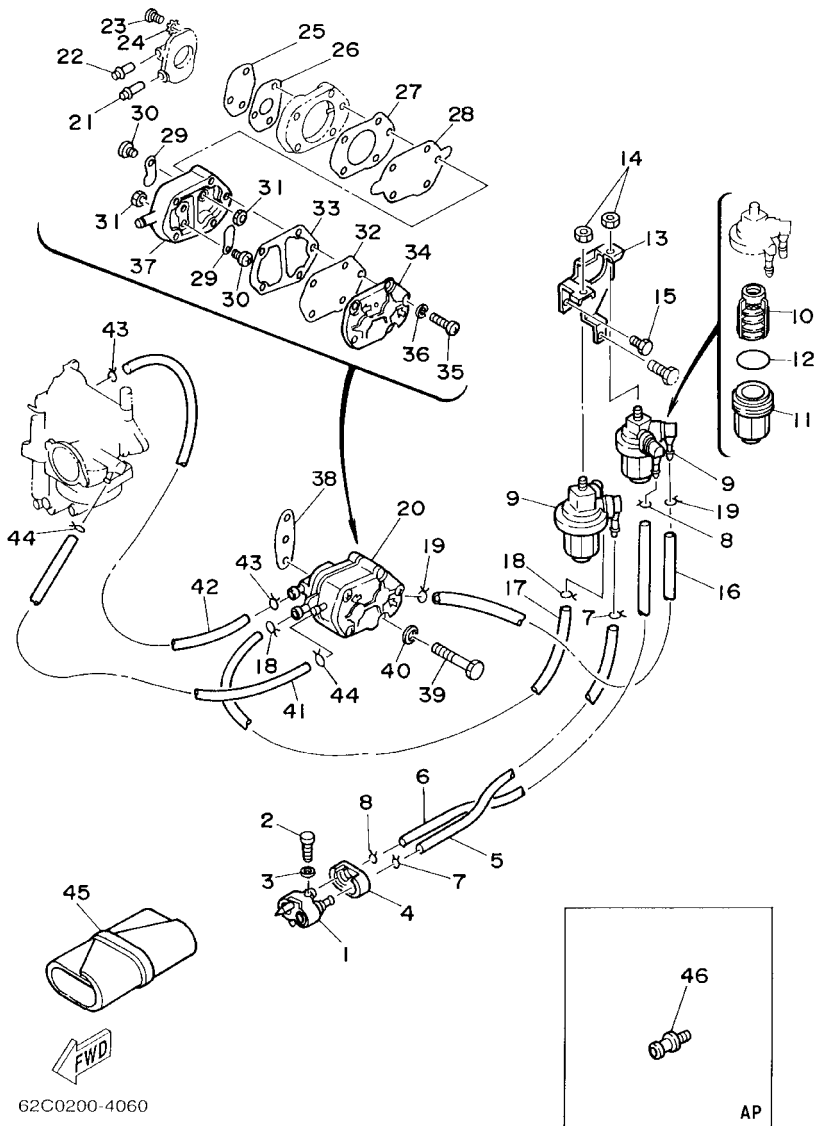
FIG. 5 CARBURETOR



69T0200-1050

REF. NO.	PART NO.	DESCRIPTION	EK25				REMARKS
55	6L2-14357-00	.WASHER, PLAIN	2				
56	6J0-14353-25	.JET, PILOT (# 50)	1				
57	90445-09M55	.HOSE (L20)	1				
58	90445-09M69	.HOSE (L15)	1				
59	6A4-14146-00	.PLATE	1				
60	6A4-14225-00	.DAMPER	1				
61	62C-14326-00	.SCREW, GUIDE	1				
62	6J0-14323-00	.SCREW, AIR ADJUSTING	1				

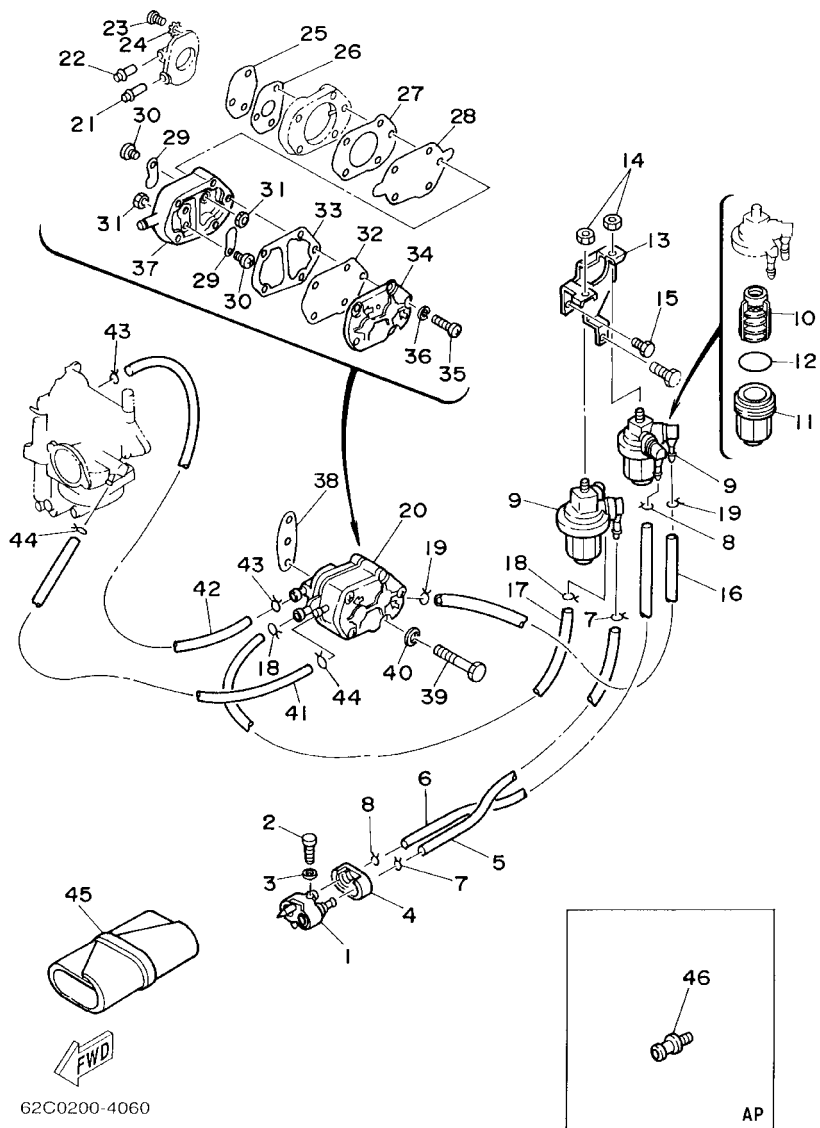
FIG. 6 FUEL



62C0200-4060

AP

REF. NO.	PART NO.	DESCRIPTION	EK25				REMARKS
1	680-24304-01	FUEL PIPE JOINT COMP. 1	1				
2	97095-06020	BOLT	1				
3	92995-06600	WASHER	1				
4	6A4-24329-00	SEAL	1				
5	90445-09M75	HOSE (L370)	1				
6	90445-10M43	HOSE (L400)	1				
7	90467-08004	CLIP	2				
8	90467-09M03	CLIP	2				
9	61N-24560-00	FILTER ASSY	2				
10	61N-24563-00	.ELEMENT, FILTER	1				
11	61N-24521-00	.CUP, FILTER	1				
12	93210-32738	.O-RING	1				
13	62C-24566-01	BRACKET, FILTER	1				
14	95380-08600	NUT	2				
15	97095-06012	BOLT	1				
16	6A4-24314-00	PIPE 4	1				
17	6G0-24311-00	PIPE, FUEL 1	1				
18	90467-08004	CLIP	2				
19	90467-09M03	CLIP	2				
20	62C-24410-00	FUEL PUMP ASSY	1				
21	652-24461-00	.PIPE, JOINT	1				
22	62C-24461-00	.PIPE, JOINT	1				
23	98703-04010	.SCREW, FLAT HEAD	3				
24	92990-04500	.WASHER	3				
25	652-24471-00	.DIAPHRAGM	1				
26	652-24432-00	.GASKET, FUEL PUMP 2	1				
27	648-24434-01	.GASKET, BODY	1				

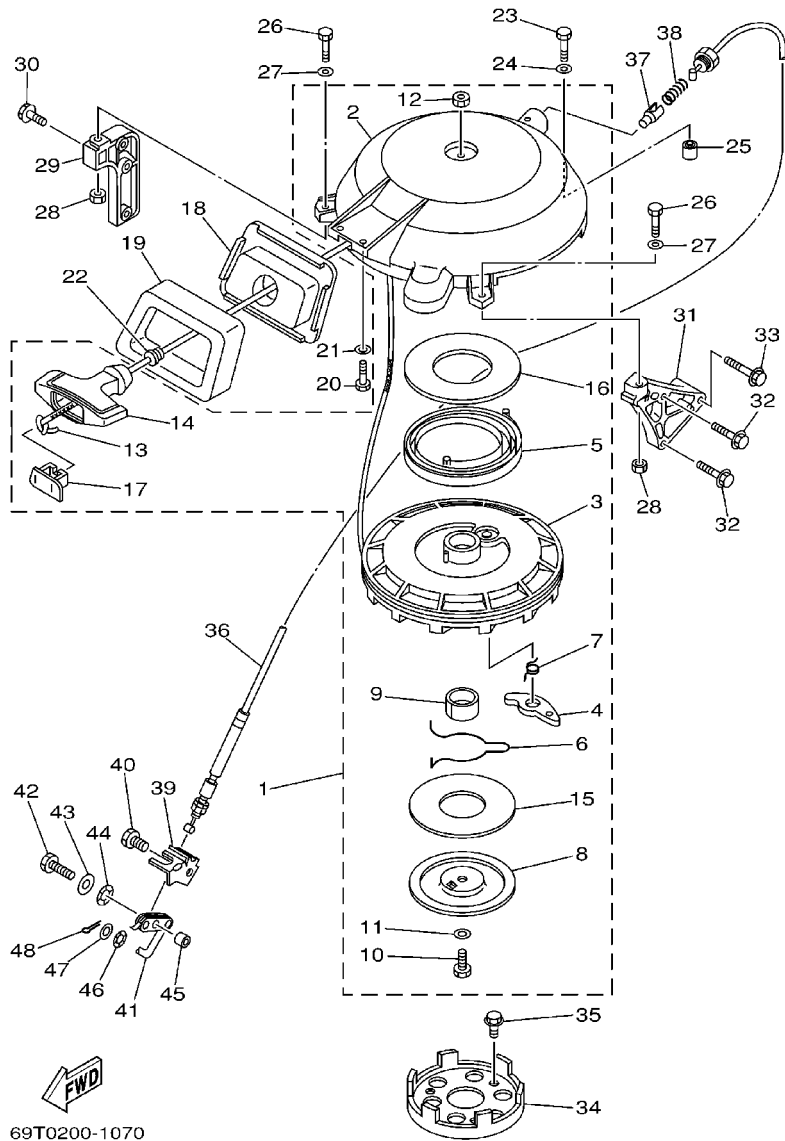


62C0200-4060

FIG. 6 FUEL

REF. NO.	PART NO.	DESCRIPTION	EK25				REMARKS
28	692-24411-00	.DIAPHRAGM	1				
29	6A0-24421-01	.VALVE, CHECK	2				
30	6A0-14325-00	.SCREW, PAN HEAD	2				
31	95380-03600	.NUT	2				
32	663-24411-00	.DIAPHRAGM	1				
33	648-24435-02	.GASKET, BODY 2	1				
34	6A0-24413-00	.BODY 2	1				
35	98503-05028	.SCREW, PAN HEAD	3				
36	92990-05100	.WASHER, SPRING	3				
37	6A0-24412-02	.BODY 1	1				
38	650-24431-A0	GASKET, FUEL PUMP 1	1				
39	97095-06050	BOLT	2				
40	92995-06600	WASHER	2				
41	90445-10M42	HOSE (L235)	1				
42	62C-24312-00	PIPE 2	1				
43	90467-08004	CLIP	2				
44	90467-09M03	CLIP	2				
45	656-W2810-02	TOOL KIT	1				
46	6E0-28193-00-94	PLUG, WATER CHECK	1				AP D:12.5MM
	626-28193-01-94	PLUG, WATER CHECK	1				AP D:15MM

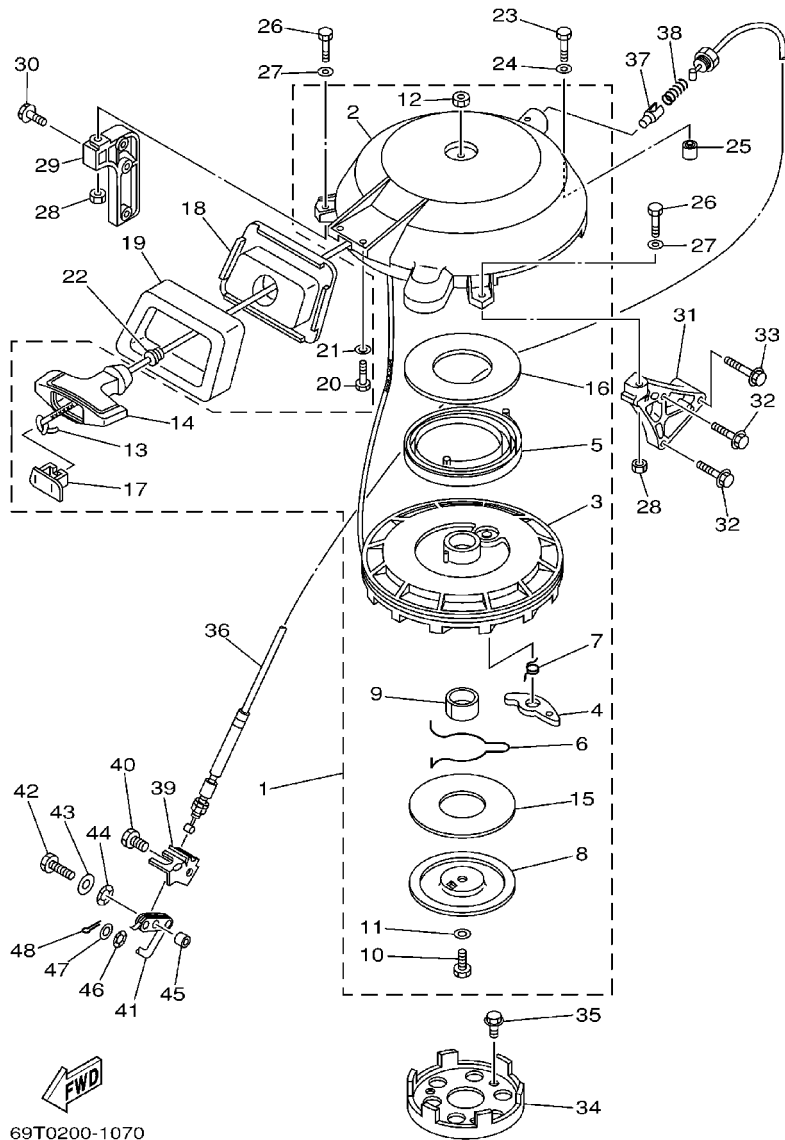
FIG. 7 STARTER



69T0200-1070

REF. NO.	PART NO.	DESCRIPTION	EK25				REMARKS
1	61N-W1571-11	STARTER ASSY	1				
2	61N-15711-10	.CASE, STARTER	1				
3	6G0-15714-01	.DRUM, SHEAVE	1				
4	6F5-15741-01	.PAWL, DRIVE	1				
5	6F5-15713-01	.SPRING, STARTER	1				
6	61N-15715-00	.SPRING, FRICTION	1				
7	61N-15734-00	.SPRING, RETURN	1				
8	6F5-15716-01	.PLATE, DRIVE	1				
9	6G0-15754-00	.BUSH 2	1				
10	97013-08030	.BOLT	1				
11	6F5-15726-01	.WASHER, FLAT	1				
12	95303-08700	.NUT	1				
13	*	.WIRE (L:1900MM)	1				
14	689-15755-01	.HANDLE, STARTER	1				
15	6F5-15764-00	.COLLAR 1	1				
16	6F5-15739-00	.WASHER, THRUST	1				
17	6F5-15779-02	.COVER	1				
18	61N-15758-01-4D	GUIDE, ROPE	1				
19	61N-15762-00	SEAL, RUBBER 2	1				
20	97095-06016	BOLT	2				
21	92995-06600	WASHER	2				
22	6A0-15789-00	DAMPER	1				
23	97095-06035	BOLT	1				
24	92995-06600	WASHER	1				
25	99530-10014	PIN, DOWEL	1				

* CUT FROM 50M ROLLS, PART NO. 90890-44373, CUTTING LENGTH 1.9M

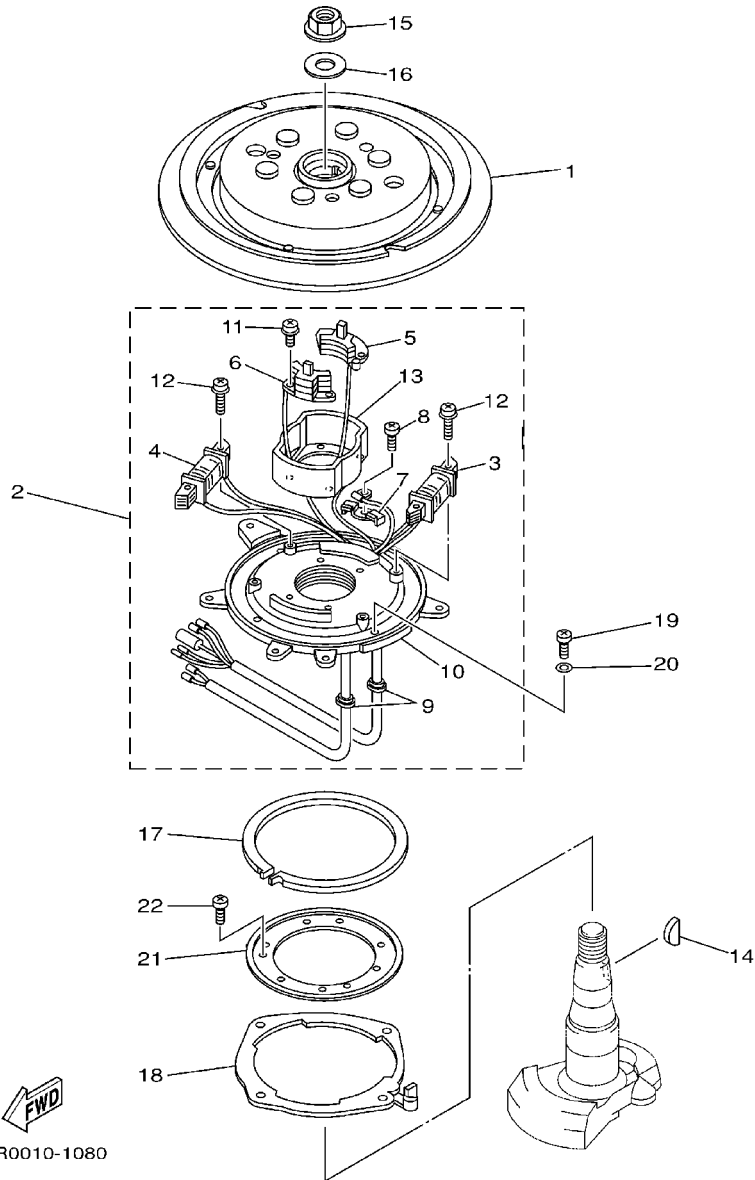


69T0200-1070

FIG. 7 STARTER

REF. NO.	PART NO.	DESCRIPTION	EK25				REMARKS
26	97095-06035	BOLT	2				
27	92995-06600	WASHER	2				
28	95380-06600	NUT, HEXAGON	2				
29	656-15771-00-94	STAY 1	1				
30	90119-06MA3	BOLT, WITH WASHER	2				
31	656-15772-00-94	STAY 2	1				
32	90119-06MA3	BOLT, WITH WASHER	2				
33	90119-06025	BOLT, WITH WASHER	1				
34	6F5-15723-01	PULLEY, STARTER	1				
35	90105-08M10	BOLT, FLANGE	3				
36	61T-15770-00	CABLE COMP., STARTER STOP	1				
37	656-15748-00	PLUNGER, STARTER STOP	1				
38	90501-10227	SPRING, COMPRESSION	1				
39	61T-15774-40-94	STAY 4	1				
40	97095-06010	BOLT	1				
41	656-15749-00	LINK, STARTER STOP	1				
42	97095-06020	BOLT	1				
43	92903-06600	WASHER, PLATE	1				
44	90206-08010	WASHER, WAVE	1				
45	90387-06568	COLLAR	1				
46	90206-05005	WASHER, WAVE	1				
47	92903-05600	WASHER, PLATE	1				
48	91490-16010	PIN, COTTER	1				

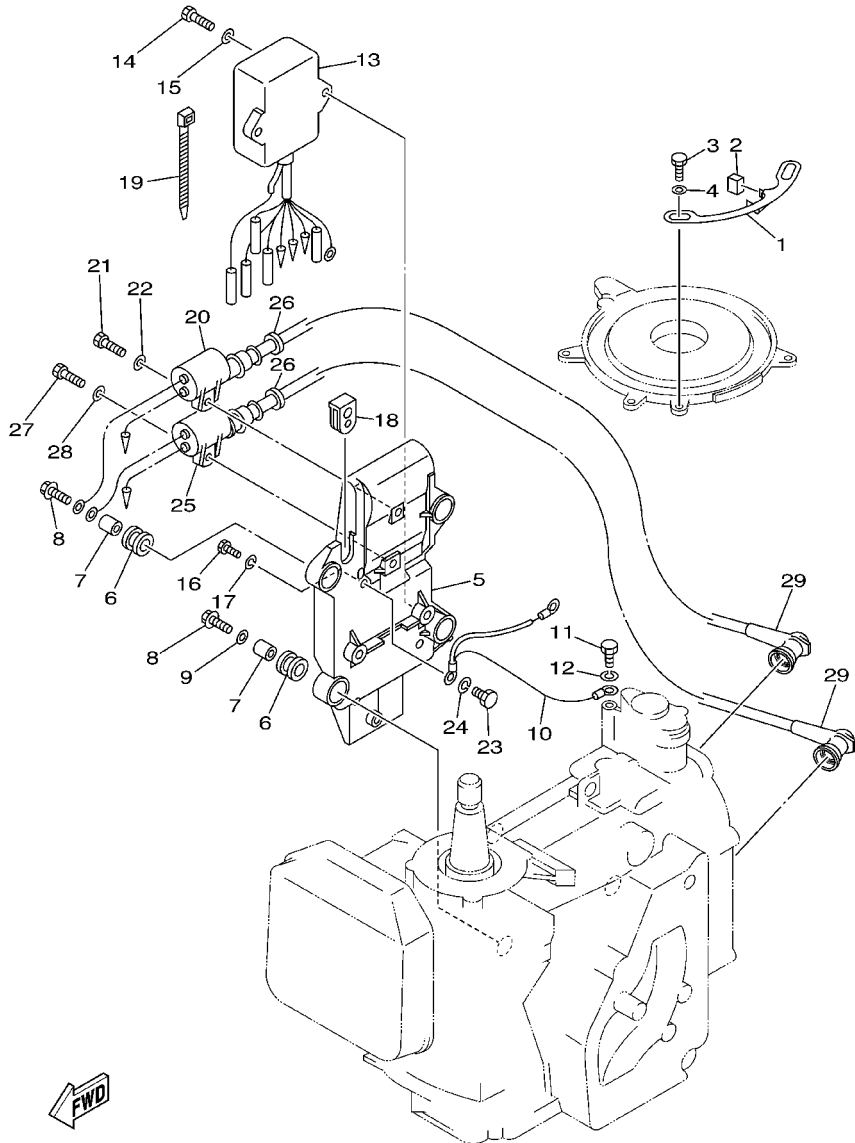
FIG. 8 GENERATOR



FWD
69R0010-1080

REF. NO.	PART NO.	DESCRIPTION	EK25				REMARKS
1	61N-85550-10	ROTOR ASSY	1				
2	69P-85560-00	BASE ASSY	1				
3	69P-85541-09	.COIL, CHARGE	1				
4	61N-81313-09	.COIL, LIGHTING 1	1				
5	61N-85543-09	.COIL, PULSER	1				
6	61N-85543-19	.COIL, PULSER	1				
7	6E9-81328-70	.CLAMP	1				
8	97802-04006	.SCREW, PAN HEAD	1				
9	6E9-85516-70	.GROMMET	2				
10	69P-85561-00	.BASE, MAGNETO	1				
11	97607-04112	.SCREW,WITH WASHER	4				
12	97607-06125	.SCREW,WITH WASHER	4				
13	61N-85537-00	.COVER	1				
14	90280-05015	KEY, WOODRUFF	1				
15	90179-16M05	NUT	1				
16	90201-16M44	WASHER, PLATE	1				
17	676-41611-00	RETAINER, MAGNETO BASE	1				
18	676-41613-00	PLATE, BASE FRICTION	1				
19	97880-05012	SCREW, PAN HEAD	4				
20	92990-05600	WASHER, PLATE	4				
21	689-41612-01	RETAINER, MAGNETO BASE	1				
22	97880-06010	SCREW, PAN HEAD	4				

FIG. 9 ELECTRICAL



69T3200-3090

REF. NO.	PART NO.	DESCRIPTION	EK25				REMARKS
1	62C-41615-00	STOPPER, MAGNETO BASE	1				
2	695-44194-00	CAP	2				
3	97095-06010	BOLT	2				
4	92995-06600	WASHER	2				
5	61N-85542-00-94	BRACKET	1				
6	61N-82317-00	DAMPER, IGNITION COIL	4				
7	624-42542-00	PIPE	4				
8	90119-06M95	BOLT, WITH WASHER	4				
9	90201-06M30	WASHER, PLATE	2				
10	61N-82519-01	WIRE, EARTH LEAD	1				
11	97090-06012	BOLT	1				
12	92990-06100	WASHER, SPRING	1				
13	61N-85540-13	C.D.I. UNIT ASSY	1				
14	97095-06020	BOLT	2				
15	92995-06600	WASHER	2				
16	97090-06012	BOLT	1				
17	92990-06100	WASHER, SPRING	1				
18	6H3-81922-00	GROMMET	1				
19	90465-13M11	CLAMP	1				
20	61N-85570-00	IGNITION COIL ASSY	1				
21	97095-06020	BOLT	1				
22	92995-06600	WASHER	1				
23	97090-06012	BOLT	1				
24	92990-06100	WASHER, SPRING	1				
25	61N-85570-10	IGNITION COIL ASSY	1				
26	90480-25161	GROMMET	2				
27	97095-06020	BOLT	1				

FIG. 9 ELECTRICAL

REF. NO.	PART NO.	DESCRIPTION	EK25					REMARKS
28	92995-06600	WASHER	1					
29	66T-82370-00	PLUG CAP ASSY	2					

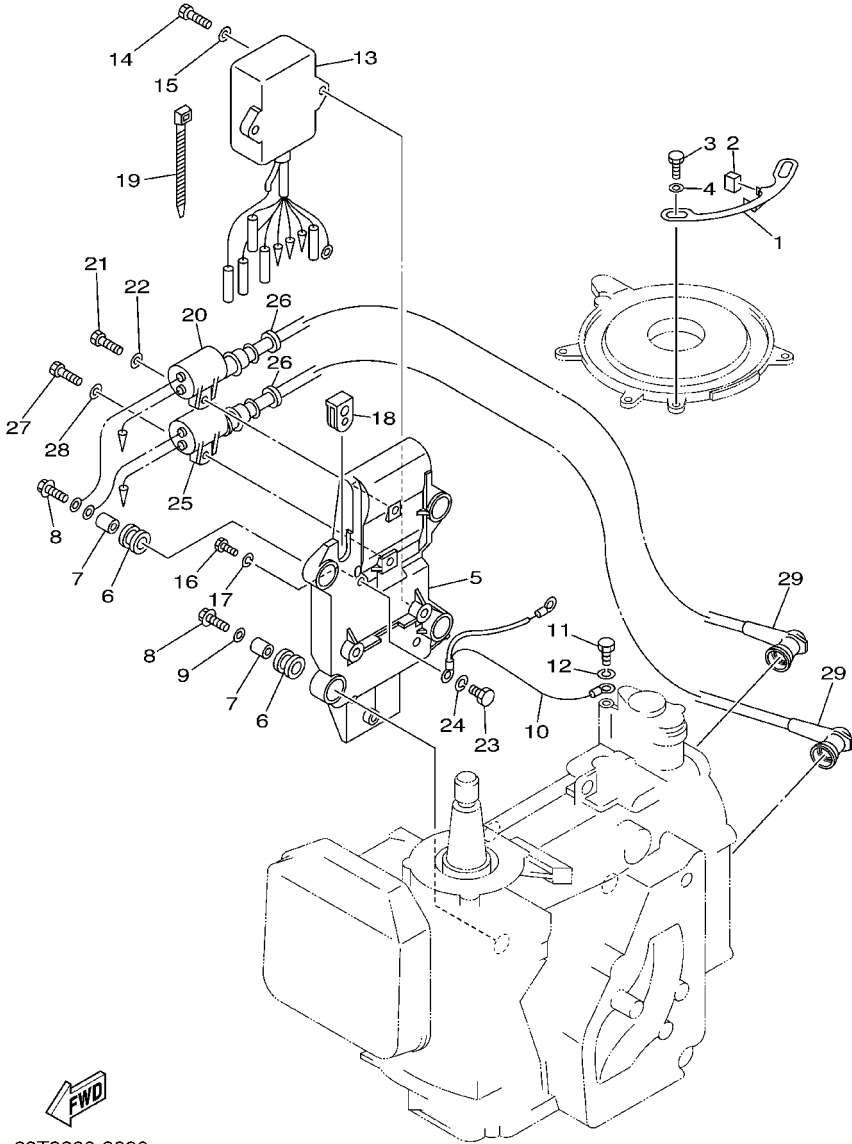
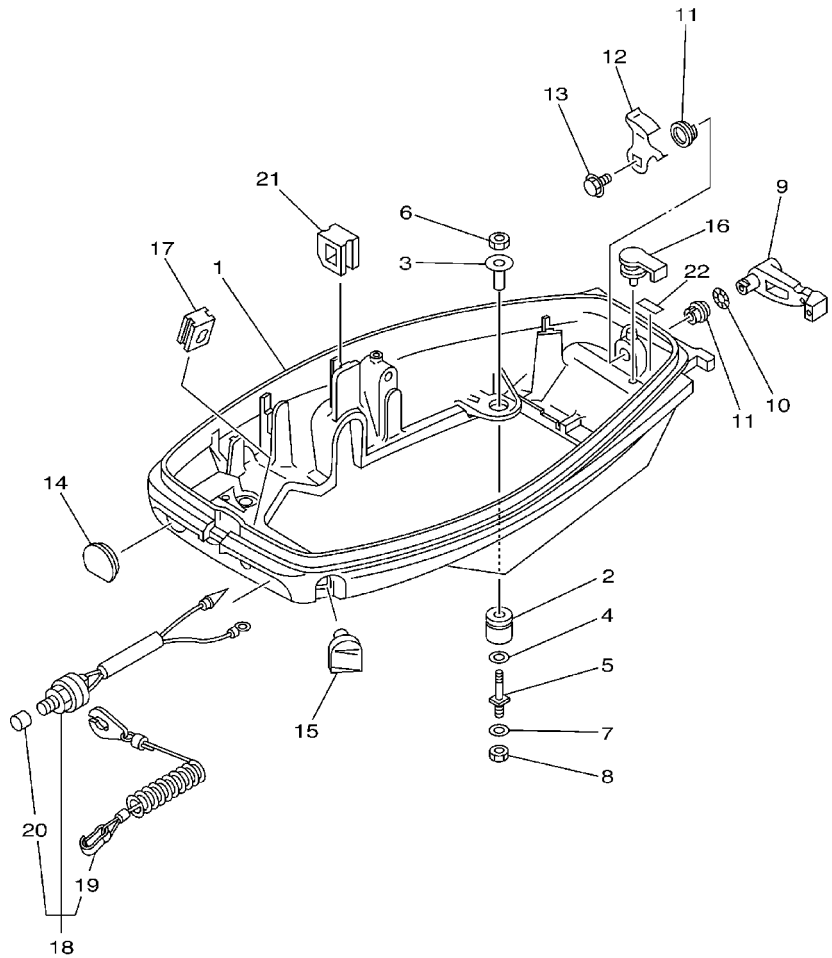


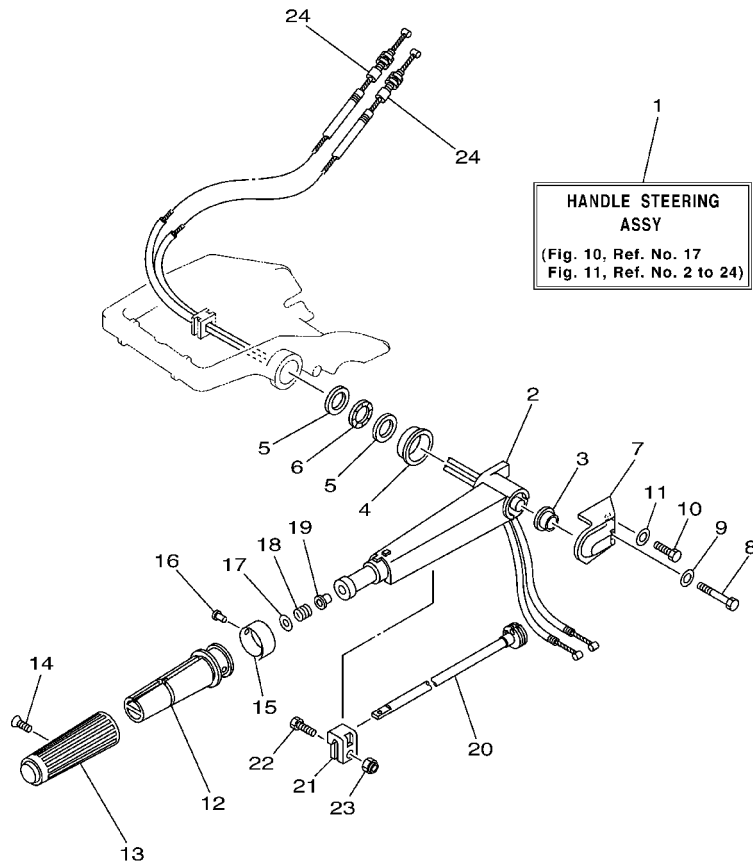
FIG. 10 BOTTOM COWLING



69T2200-2100

REF. NO.	PART NO.	DESCRIPTION	EK25				REMARKS
1	6A4-42711-05-4D	COWLING, BOTTOM	1				
2	90480-15M06	GROMMET	4				
3	90387-08M25	COLLAR	4				
4	90201-08M87	WASHER, PLATE	4				
5	6G0-42796-00	BOLT 1	4				
6	95380-08700	NUT	4				
7	92995-08600	WASHER	4				
8	95380-08700	NUT	4				
9	689-42815-00	LEVER, CLAMP	1				
10	90206-12052	WASHER, WAVE	1				
11	90386-12069	BUSH	2				
12	689-42816-00	LEVER, CLAMP	1				
13	90119-06M73	BOLT, WITH WASHER	1				
14	682-42724-00	GROMMET	1				
15	689-42725-01	GROMMET	1				
16	647-42523-00	SPACER, FRICTION	1				
17	61N-26326-00	GROMMET	1				
18	6E9-82575-02	ENGINE STOP SWITCH ASSY	1				
19	682-82556-00	.STOPPER	1				
20	689-8257Y-00	.CAP	1				
21	90480-17M08	GROMMET	1				
22	6E7-42791-00	MARK 1	1				

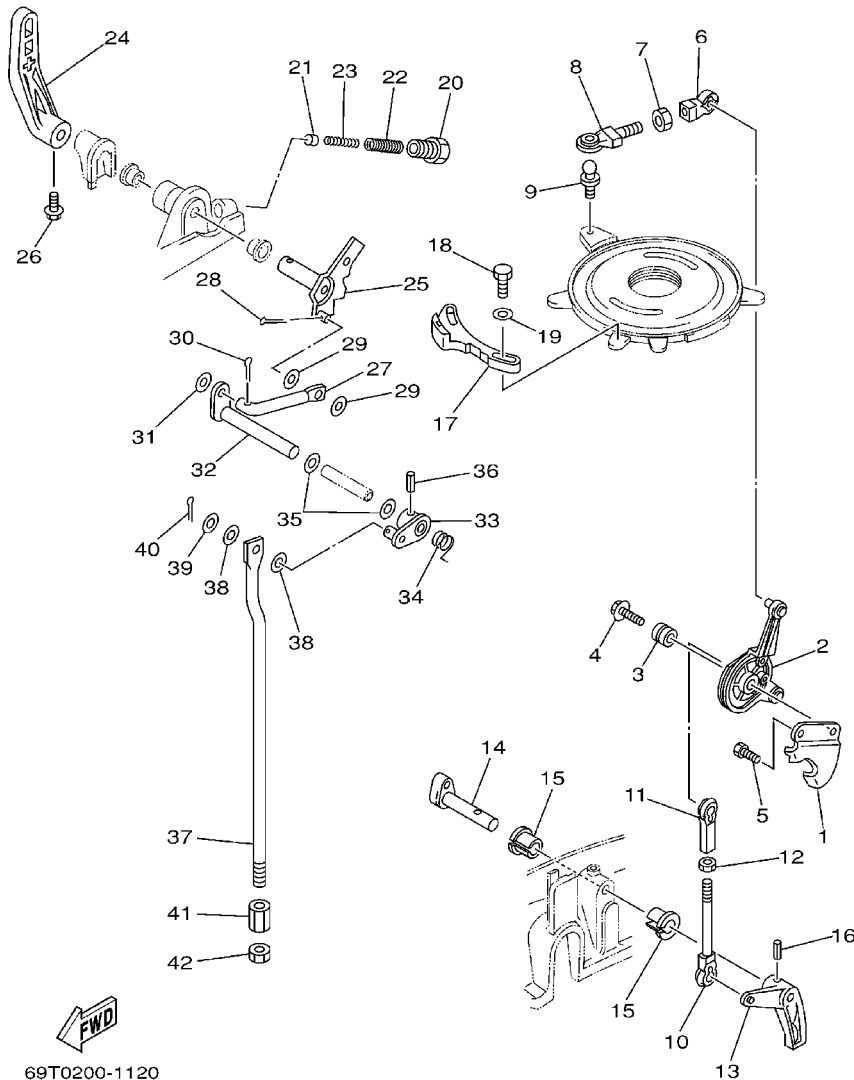
FIG. 11 STEERING



REF. NO.	PART NO.	DESCRIPTION	EK25				REMARKS
1	69T-W0084-00-4D	HANDLE STEERING ASSY	1				
2	689-42111-01-4D	HANDLE, STEERING	1				
3	90387-13003	COLLAR	1				
4	90387-33001	COLLAR	1				
5	90201-28013	WASHER, PLATE	2				
6	90206-28001	WASHER, WAVE	1				
7	69P-42112-00-4D	HANDLE, STEERING	1				
8	97095-06050	BOLT	1				
9	92995-06600	WASHER	1				
10	97095-06020	BOLT	1				
11	92995-06600	WASHER	1				
12	664-42119-00	GRIP, STEERING HANDLE	1				
13	6F6-42177-A0	RUBBER, HANDLE	1				
14	90149-05M13	SCREW	1				
15	6J0-42137-00	INDICATOR, THROTTLE	1				
16	90269-02M09	RIVET	1				
17	92903-10600	WASHER, PLATE	1				
18	90501-23215	SPRING, COMPRESSION	1				
19	90386-08032	BUSH	1				
20	689-42138-00	LEVER, THROTTLE	1				
21	656-42126-01	FRICTION, STEERING HANDLE GRIP	1				
22	97095-06020	BOLT	1				
23	90185-06062	NUT, SELF-LOCKING	1				
24	62C-26311-00	CABLE, THROTTLE 1	2				

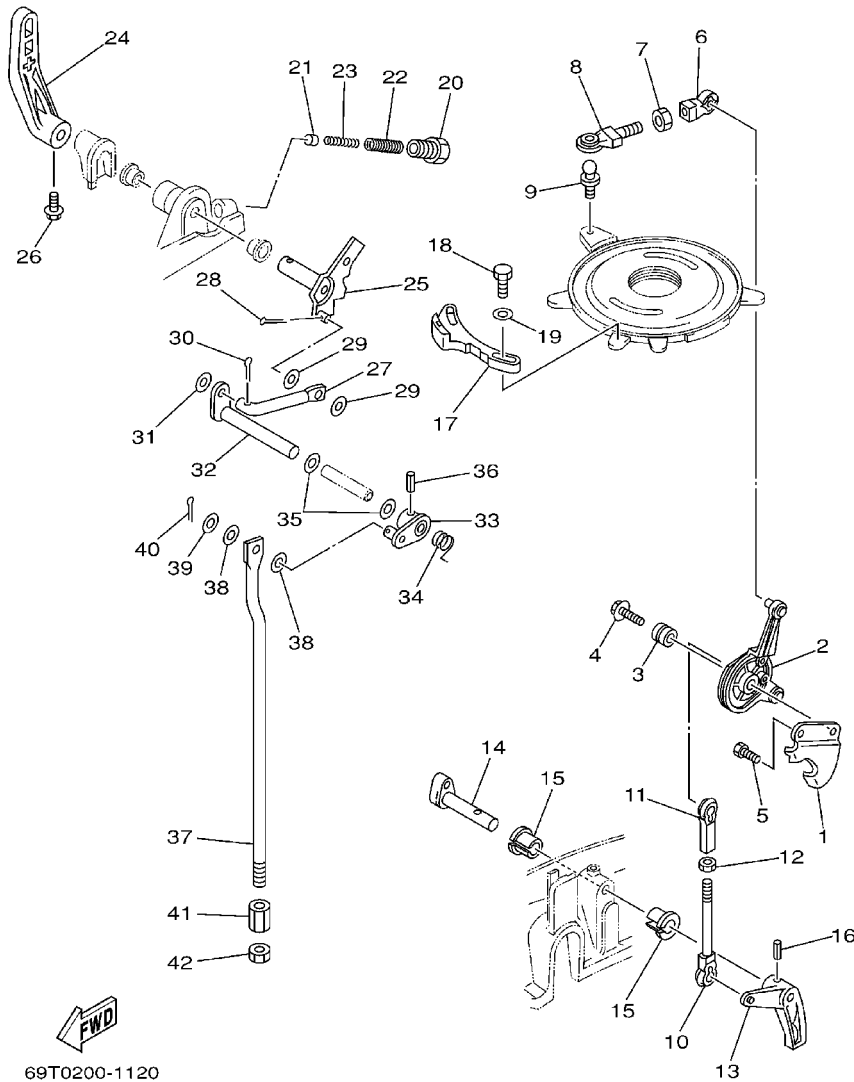
FWD
69T3200-3110

FIG. 12 CONTROL



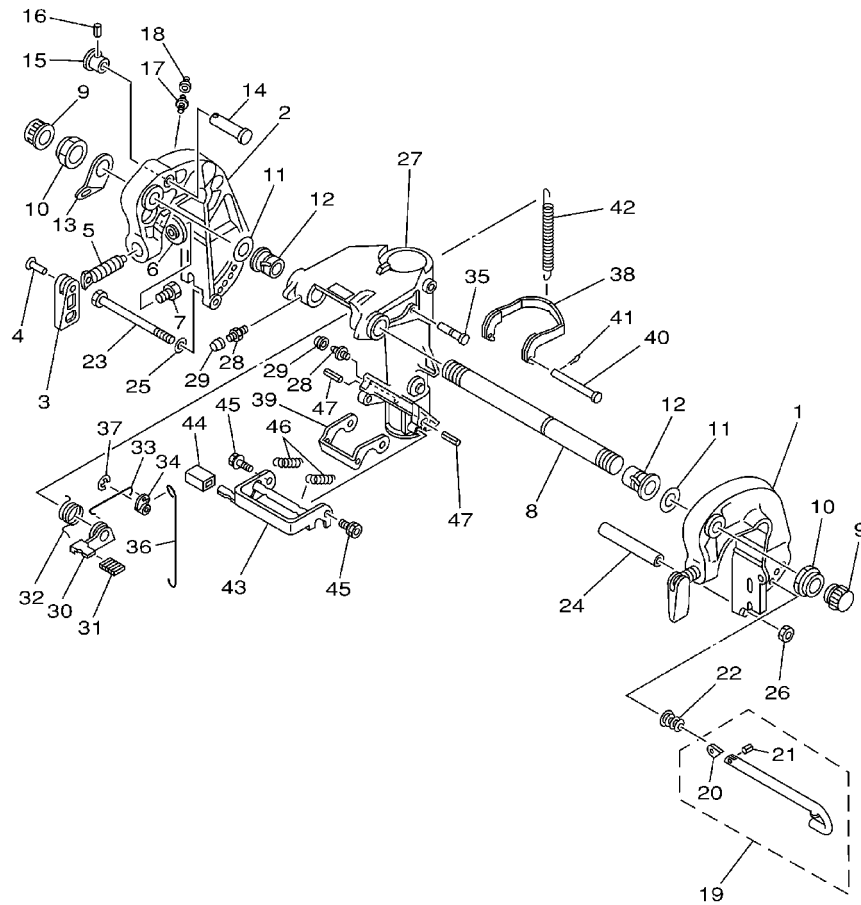
REF. NO.	PART NO.	DESCRIPTION	EK25				REMARKS
1	689-14497-00	STAY, THROTTLE WIRE	1				
2	61N-41631-00-94	LEVER, MAGNETO CONTROL	1				
3	90387-06M02	COLLAR	1				
4	90119-06M49	BOLT, WITH WASHER	1				
5	97095-06012	BOLT	1				
6	662-41237-01	JOINT, LINK	1				
7	95380-05700	NUT	1				
8	679-41241-01	ROD, LINK	1				
9	663-85518-00	JOINT, BALL	1				
10	689-42169-01	JOINT	1				
11	662-41237-01	JOINT, LINK	1				
12	95380-05600	NUT	1				
13	689-42154-80-94	LEVER, THROTTLE CONTROL	1				
14	656-42153-00-94	SHAFT, THROTTLE CONTROL	1				
15	90386-10009	BUSH	2				
16	91690-40018	PIN, SPRING	1				
17	69T-41213-00	CAM, ACCEL.	1				
18	97095-05014	BOLT	2				
19	92995-05600	WASHER	2				
20	664-42715-00	BUSHING	1				
21	664-44167-01	PLUNGER, SHIFT CAM	1				
22	90501-14M07	SPRING, COMPRESSION	1				
23	90501-09M08	SPRING, COMPRESSION	1				
24	689-44111-01-4D	HANDLE, GEAR SHIFT	1				
25	664-44113-01	CAM PLATE, HANDLE	1				
26	90105-06M07	BOLT, FLANGE	1				
27	664-44142-00	JOINT	1				

FIG. 12 CONTROL



REF. NO.	PART NO.	DESCRIPTION	EK25				REMARKS
28	91490-16010	PIN, COTTER	1				
29	90202-06007	WASHER, PLATE	2				
30	91490-12010	PIN, COTTER	1				
31	92990-05600	WASHER, PLATE	1				
32	689-44121-01	LEVER, SHIFT ROD	1				
33	689-44125-00	LEVER, SHIFT ROD	1				
34	90508-14M13	SPRING, TORSION	1				
35	90202-10024	WASHER, PLATE	2				
36	91690-40016	PIN, SPRING	1				
37	61N-44143-00	ROD, SHIFT	1				
38	90202-06007	WASHER, PLATE	2				
39	92990-05600	WASHER, PLATE	1				
40	91490-20010	PIN, COTTER	1				
41	61N-44146-00	CONNECTOR, SHIFT ROD	1				
42	95380-06600	NUT, HEXAGON	1				

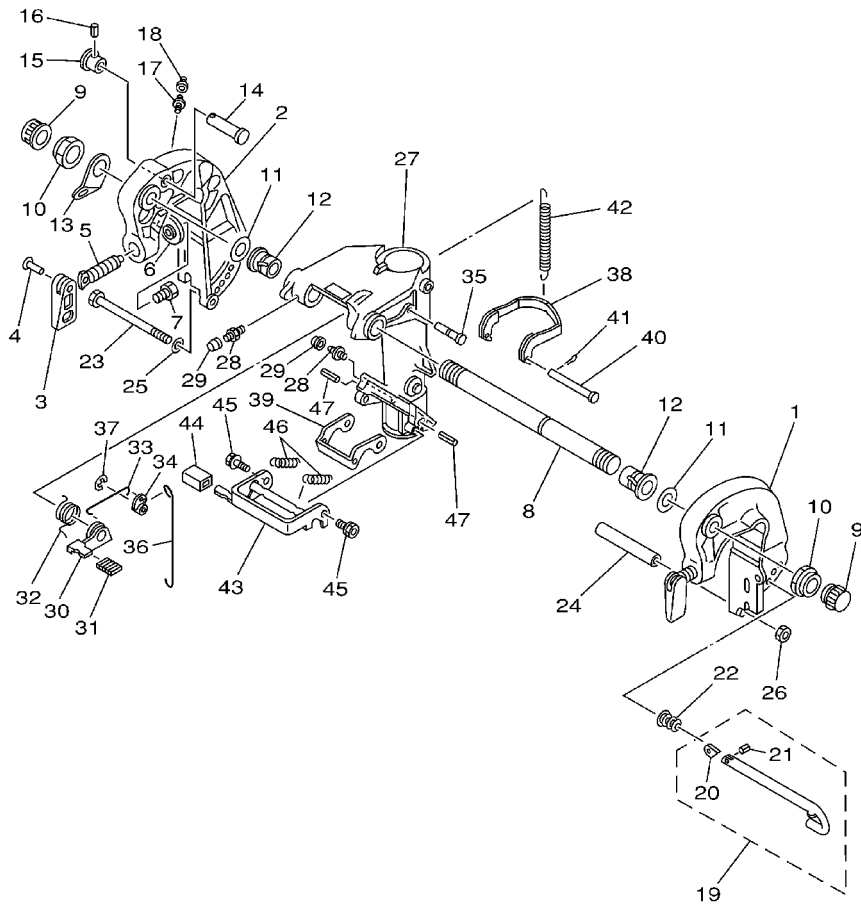
FIG. 13 BRACKET 1



69T0200-1130

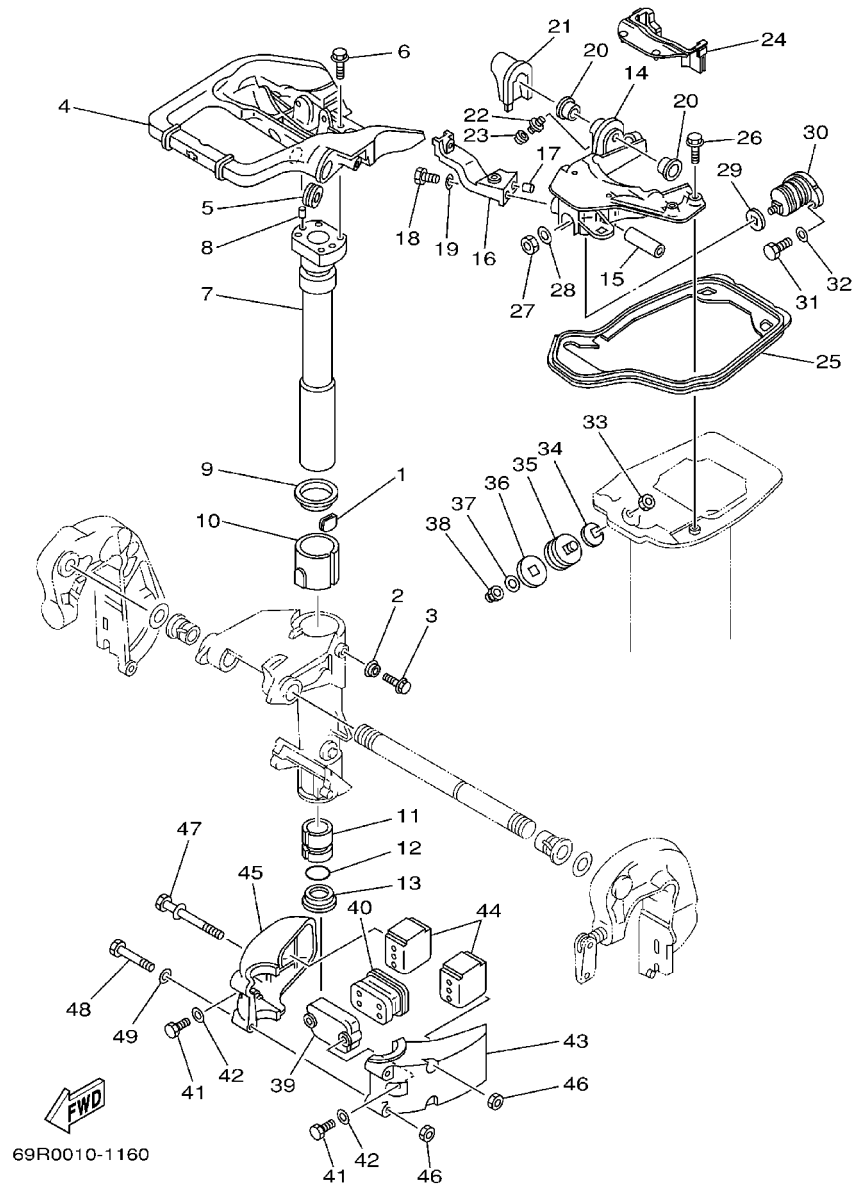
REF. NO.	PART NO.	DESCRIPTION	EK25				REMARKS
1	689-43111-03-4D	BRACKET, CLAMP	1				
2	689-43112-02-4D	BRACKET, CLAMP	1				
3	663-43118-01	HANDLE, TRANSOM CLAMP	2				
4	90243-04007	PIN	2				
5	6G0-43116-00	SCREW, TRANSOM CLAMP	2				
6	6F5-43114-00	PAD, TRANSOM CLAMP	2				
7	90109-06M12	BOLT	2				
8	6J8-43131-01	BOLT, CLAMP BRACKET	1				
9	6G5-43145-01	CAP, CLAMP BRACKET	2				
10	90185-22043	NUT, SELF-LOCKING	2				
11	90201-22M03	WASHER, PLATE	2				
12	90386-22M67	BUSH	2				
13	6J8-43113-01	PLATE, CLAMP BRACKET	1				
14	689-43191-00	SHAFT, STOPPER	1				
15	689-43192-01	KNOB, STOPPER	1				
16	91690-30016	PIN, SPRING	1				
17	93700-06M03	NIPPLE, GREASE	1				
18	663-45119-00	CAP, GREASE NIPPLE	1				AP
19	689-43160-00	TILT ROD ASSY	1				
20	689-43165-00	.PLATE, TILT LOCK	1				
21	91690-30008	.PIN, SPRING	1				
22	90502-10M07	SPRING, CONICAL	1				
23	90101-08339	BOLT	1				
24	90387-08M03	COLLAR	1				
25	92995-08600	WASHER	1				
26	95380-08600	NUT	1				
27	689-43311-03-4D	BRACKET, SWIVEL 1	1				

FIG. 13 BRACKET 1



69T0200-1130

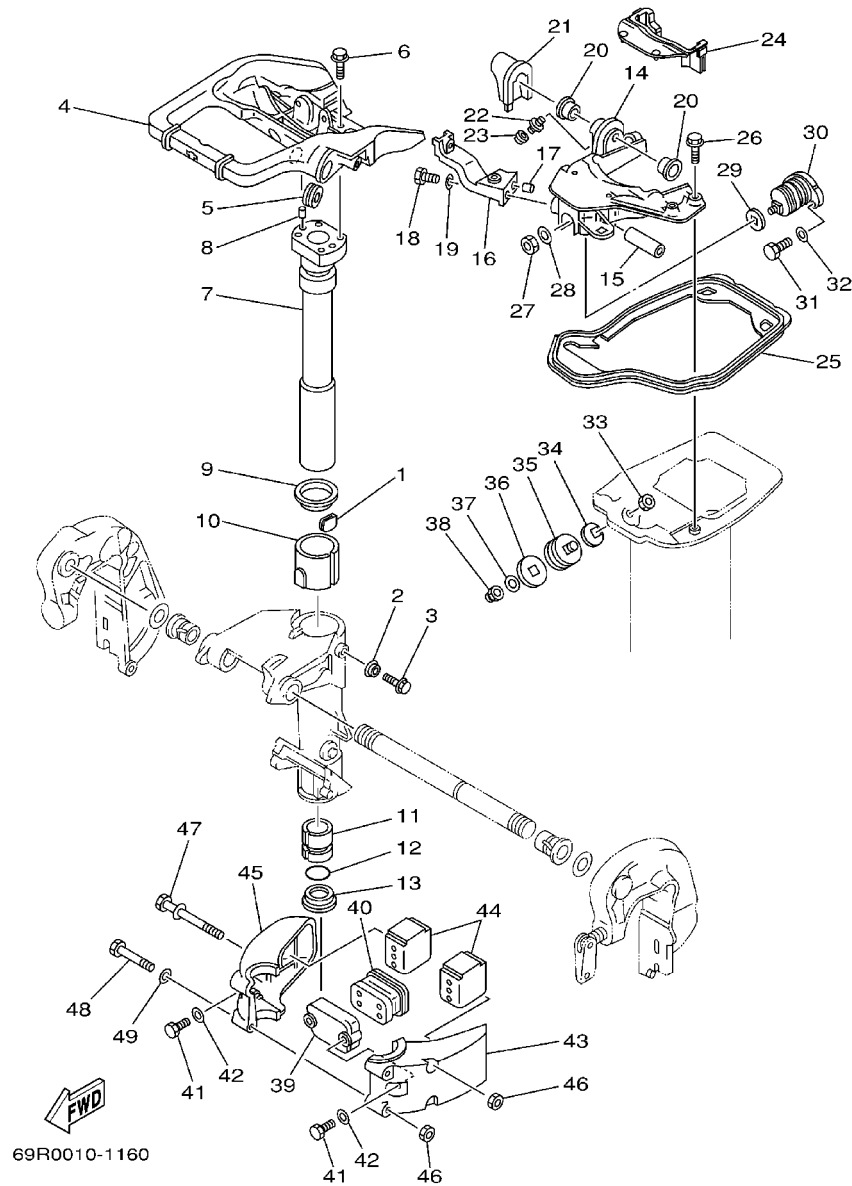
REF. NO.	PART NO.	DESCRIPTION	EK25				REMARKS
28	93700-06M03	NIPPLE, GREASE	3				
29	663-45119-00	CAP, GREASE NIPPLE	3				AP
30	689-43631-00	LEVER, TILT	1				
31	689-43633-00	COVER, TILT LEVER	1				
32	689-43643-00	SPRING	1				
33	689-43616-00	ROD, TILT LOCK	1				
34	648-43642-00	LEVER, TILT 1	1				
35	90249-06M22	PIN	1				
36	648-43617-00	ROD, TILT LOCK	1				
37	99080-05600	CIRCLIP	1				
38	689-43614-01	PLATE, TILT LOCK	1				
39	648-43615-00	PLATE, TILT LOCK	1				
40	90240-05047	PIN, CLEVIS	1				
41	91490-16010	PIN, COTTER	1				
42	90506-30M27	SPRING, TENSION	1				
43	689-43681-01	LEVER, SHALLOW WATER DRIVE 1	1				
44	682-43318-01	COVER	1				
45	90109-06M18	BOLT	2				
46	90506-16M17	SPRING, TENSION	2				
47	91690-40035	PIN, SPRING	2				



69R0010-1160

FIG. 14 BRACKET 2

REF. NO.	PART NO.	DESCRIPTION	EK25				REMARKS
1	648-42528-00	PLATE, FRICTION	1				
2	689-43373-01	SEAL, DAMPER	1				
3	90105-06M18	BOLT, FLANGE	1				
4	69P-42511-00-4D	BRACKET, STEERING	1				
5	90480-29045	GROMMET	1				
6	90105-06M07	BOLT, FLANGE	4				
7	689-42521-00-94	SHAFT, STEERING PIVOT	1				
8	93608-12063	PIN, DOWEL	2				
9	90209-47016	WASHER	1				
10	90386-47M22	BUSH	1				
11	90386-38090	BUSH	1				
12	93210-37160	O-RING	1				
13	90386-38022	BUSH	1				
14	69P-44518-00-94	BRACKET COMP.	1				
15	90387-10M39	COLLAR	1				
16	648-44519-00-94	BRACKET	1				
17	93606-12019	PIN, DOWEL	1				
18	97095-06018	BOLT	1				
19	92995-06600	WASHER	1				
20	90381-12M01	BUSH, SOLID	2				
21	689-42718-00	RUBBER, SEAL 3	1				
22	93700-06M03	NIPPLE, GREASE	1				
23	663-45119-00	CAP, GREASE NIPPLE	1				AP
24	69P-42717-00	RUBBER, SEAL 2	1				
25	69P-42716-00	RUBBER, SEAL 1	1				
26	90105-06M08	BOLT, FLANGE	4				
27	90170-10M42	NUT	1				

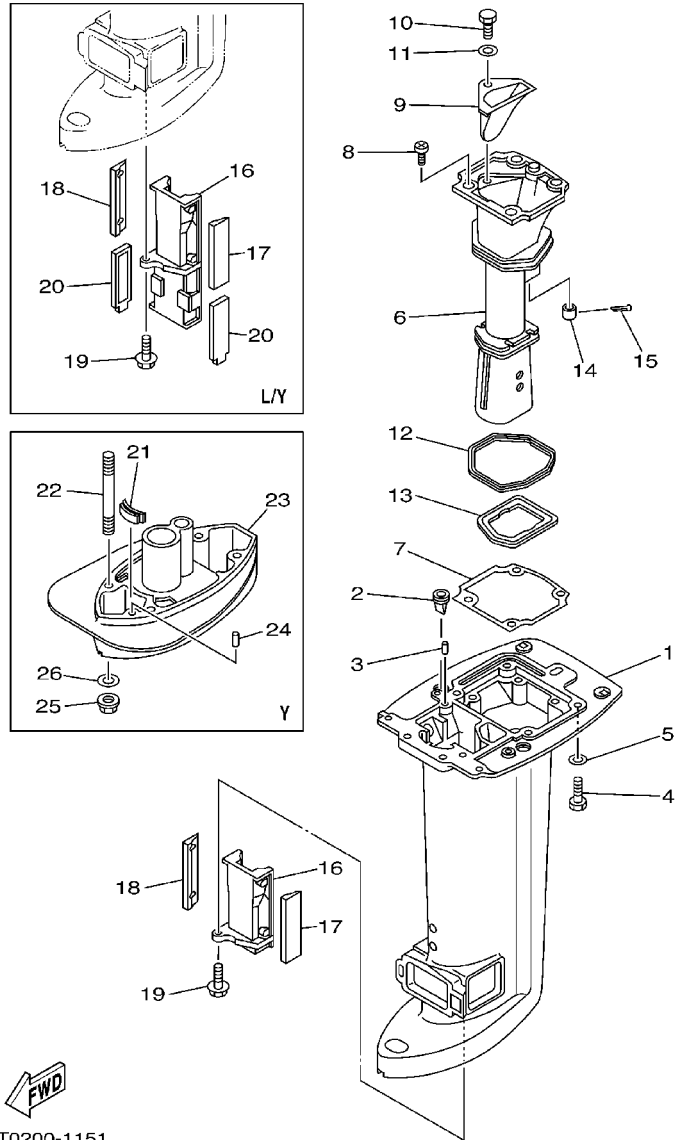


69R0010-1160

FIG. 14 BRACKET 2

REF. NO.	PART NO.	DESCRIPTION	EK25				REMARKS
28	92990-10200	WASHER, PLAIN	1				
29	648-44591-A0	GASKET	1				
30	689-44516-00	MOUNT DAMPER, UPPER FRONT	1				
31	97095-06020	BOLT	2				
32	92995-06600	WASHER	2				
33	90170-10M42	NUT	2				
34	648-44591-A0	GASKET	2				
35	664-44514-00-94	MOUNT DAMPER, UPPER SIDE	2				
36	664-44591-A0	GASKET	2				
37	92990-10200	WASHER, PLAIN	2				
38	90176-10M01	NUT, CROWN	2				
39	689-44553-00-94	COVER, LOWER MOUNT	1				
40	689-44557-00	MOUNT DAMPER, LOWER FRONT	1				
41	97075-08025	BOLT	2				
42	92995-08600	WASHER	2				
43	689-44551-01-4D	HOUSING, LOWER MOUNT RUBBER	1				
44	689-44555-00	MOUNT DAMPER, LOWER SIDE	2				
45	689-44552-01-4D	HOUSING, LOWER MOUNT RUBBER	1				
46	95380-08600	NUT	4				
47	90119-08M03	BOLT, WITH WASHER	2				
48	97095-08065	BOLT	2				
49	92995-08600	WASHER	2				

FIG. 15 UPPER CASING

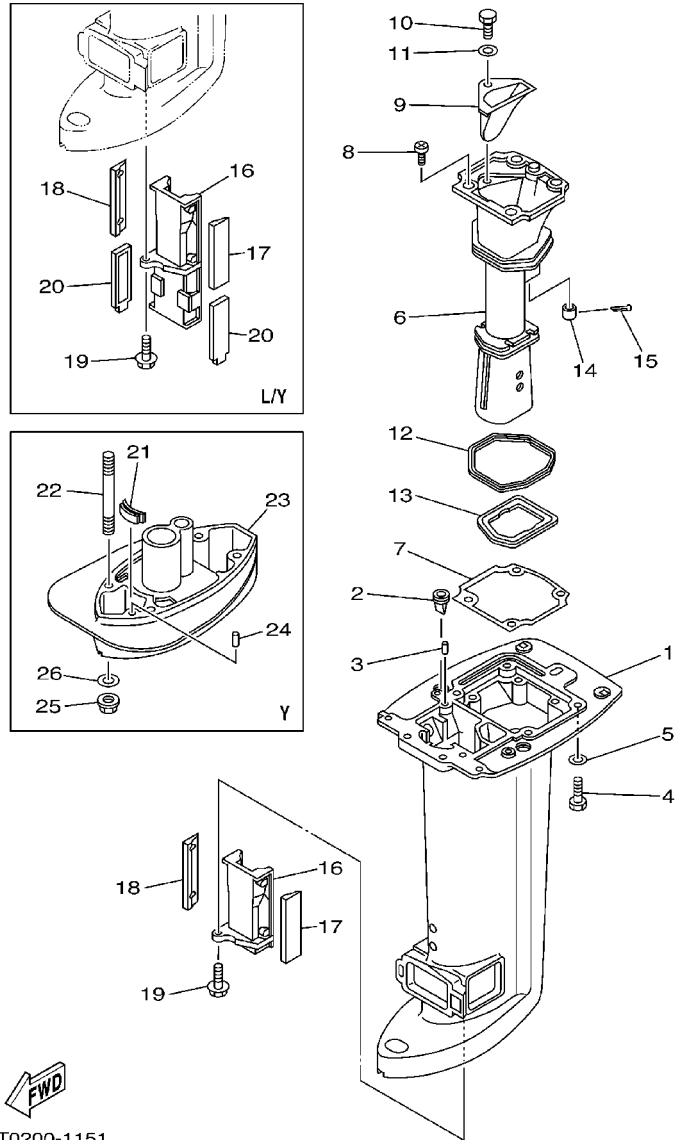


69T0200-1151

REF. NO.	PART NO.	DESCRIPTION	EK25				REMARKS
1	69P-45111-00-4D	CASING, UPPER	1				S
	69P-45111-10-4D	CASING, UPPER	1				L/Y
2	65W-42717-00	RUBBER, SEAL 2	2				
3	93606-12019	PIN, DOWEL	2				
4	97075-08030	BOLT	6				
5	92995-08600	WASHER	6				
6	69P-41131-01-5B	MANIFOLD, EXT. 1	1				
7	69P-41134-A0	GASKET, EXHAUST MANIFOLD	1				
8	97880-06016	SCREW, PAN HEAD	4				
9	69P-41137-00-5B	GUIDE, EXHAUST	1				
10	97095-08020	BOLT	1				
11	92995-08600	WASHER	1				
12	69P-41138-00	SEAL, EXT. 1	1				
13	69P-41139-00	SEAL, EXT. 2	1				
14	6A8-41135-00	GASKET, EXHAUST MANIFOLD	1				
15	91490-30025	PIN, COTTER	1				
16	69P-47467-00-5B	PLATE, GUIDE	1				S
	69P-47467-10-5B	PLATE, GUIDE	1				L/Y
17	69P-45127-00	SEAL	1				
18	69P-45128-00	SEAL 2	1				
19	90119-06024	BOLT, WITH WASHER	1				
20	69P-45159-00	DAMPER	2				L/Y
21	61N-45375-00	DAMPER, SEAL	1				Y
22	90116-10M34	BOLT, STUD	4				Y
23	61N-45211-20-4D	EXTENSION	1				Y
24	93606-11M24	PIN, DOWEL	2				Y
25	90179-10M03	NUT	4				Y

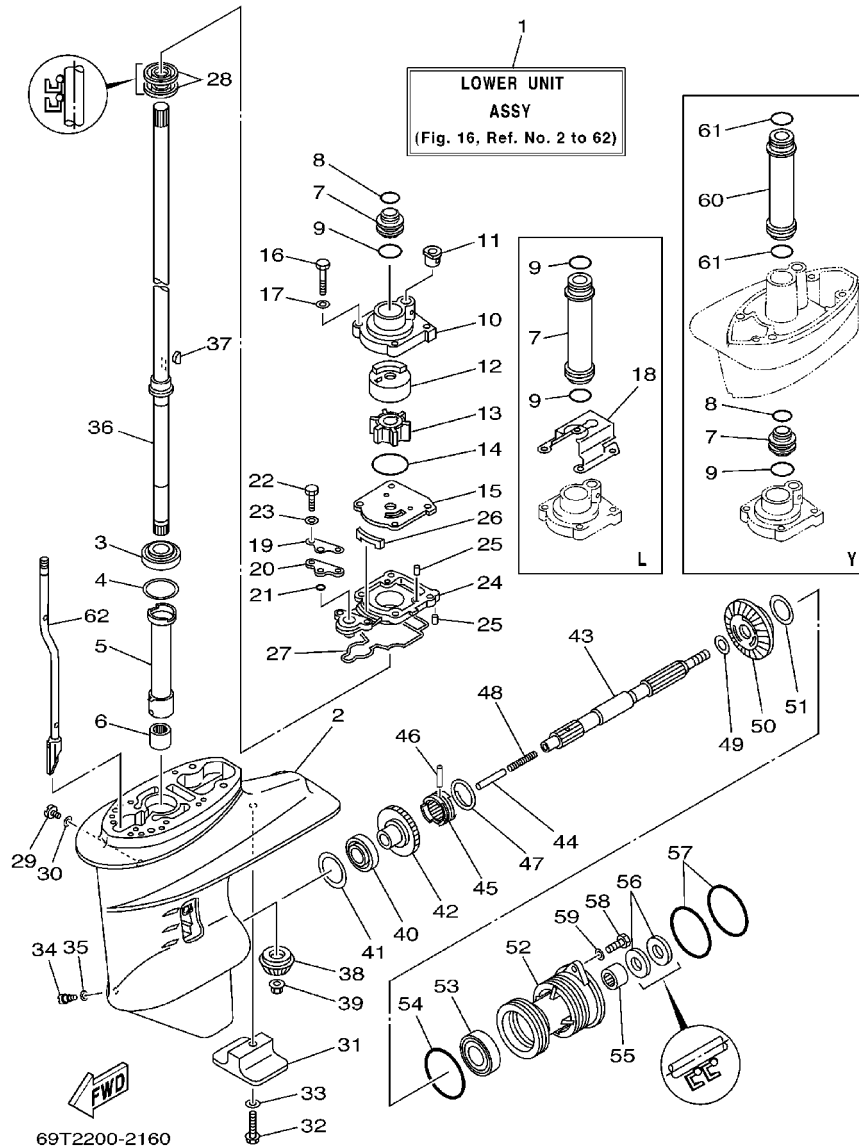
D7

FIG. 15 UPPER CASING



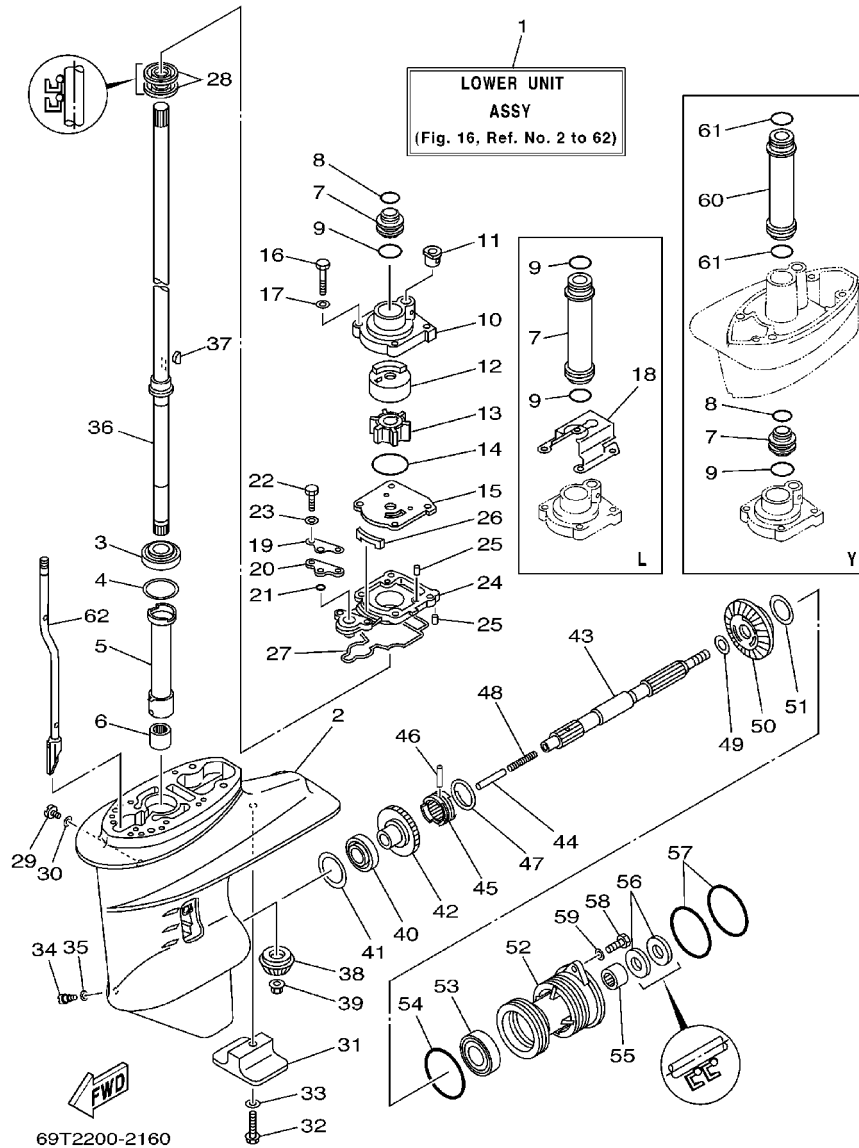
REF. NO.	PART NO.	DESCRIPTION	EK25				REMARKS
26	92995-10600	WASHER	4				Y

FIG. 16 LOWER CASING. DRIVE 1



REF. NO.	PART NO.	DESCRIPTION	EK25		REMARKS
1	69P-45300-00-4D	LOWER UNIT ASSY	1		S
	69P-45300-10-4D	LOWER UNIT ASSY	1		L
	69P-45300-20-4D	LOWER UNIT ASSY	1		Y
2	61N-45311-02-4D	CASING, LOWER	1		
3	93332-000W5	BEARING	1		
4	61N-45587-00-07	SHIM (T:0.7MM)	1		UR
	61N-45587-00-10	SHIM (T:1.0MM)	1		UR
	61N-45587-00-11	SHIM (T:1.1MM)	1		UR
	61N-45587-00-12	SHIM (T:1.2MM)	1		UR
	61N-45587-00-13	SHIM (T:1.3MM)	1		UR
	61N-45587-00-14	SHIM (T:1.4MM)	1		UR
	61N-45587-00-15	SHIM (T:1.5MM)	1		UR
	61N-45587-00-16	SHIM (T:1.6MM)	1		UR
5	61N-45536-00	SLEEVE, DRIVE SHAFT	1		
6	93315-220V7	BEARING	1		
7	61N-44362-00	TUBE, WATER	1		S/Y
	61N-44362-10	TUBE, WATER	1		L
8	93210-22164	O-RING	1		S/Y
9	93210-26130	O-RING	1		S/Y
	93210-26130	O-RING	2		L
10	69P-44311-00	HOUSING, WATER PUMP	1		
11	6L2-44367-00	DAMPER, WATER SEAL	1		
12	69P-44322-40	INSERT, CARTRIDGE	1		FOR CHROMATE
13	6H4-44352-02	IMPELLER	1		
14	93210-45161	O-RING	1		
15	61N-44323-40	OUTER PLATE, CARTRIDGE	1		FOR CHROMATE
16	97095-06040	BOLT	4		

FIG. 16 LOWER CASING. DRIVE 1



REF. NO.	PART NO.	DESCRIPTION	EK25				REMARKS
17	92995-06600	WASHER	4				
18	65W-44328-11	PLATE	1				L
19	61N-44176-00	BRACKET	1				
20	61N-45321-00	PLATE	1				
21	93210-06ME6	O-RING	1				
22	97095-06025	BOLT	2				
23	92995-06600	WASHER	2				
24	61N-45331-00-5B	HOUSING, BEARING	1				
25	93604-10M03	PIN, DOWEL	3				
26	61N-45127-00	SEAL	1				
27	61N-45315-00	PACKING, LOWER CASING	1				
28	93101-22067	OIL SEAL	2				
29	90340-08002	PLUG, STRAIGHT SCREW	1				
30	90430-08020	GASKET	1				
31	61N-45251-01	ANODE	1				
32	95895-06035	BOLT, FLANGE	1				
33	92990-06300	WASHER, INTERNAL TOOTH	1				
34	688-45341-10	PLUG, DRAIN	1				
35	90430-08020	GASKET	1				
36	61N-45510-00	DRIVE SHAFT ASSY	1				S
	61N-45510-10	DRIVE SHAFT ASSY	1				L
	61N-45510-20	DRIVE SHAFT ASSY	1				Y
37	90280-03M03	KEY, WOODRUFF	1				
38	61N-45551-00	PINION	1				
39	90179-10M14	NUT	1				
40	93332-00005	BEARING	1				
41	6L2-45567-00-10	SHIM (T:1.0MM)	1				UR

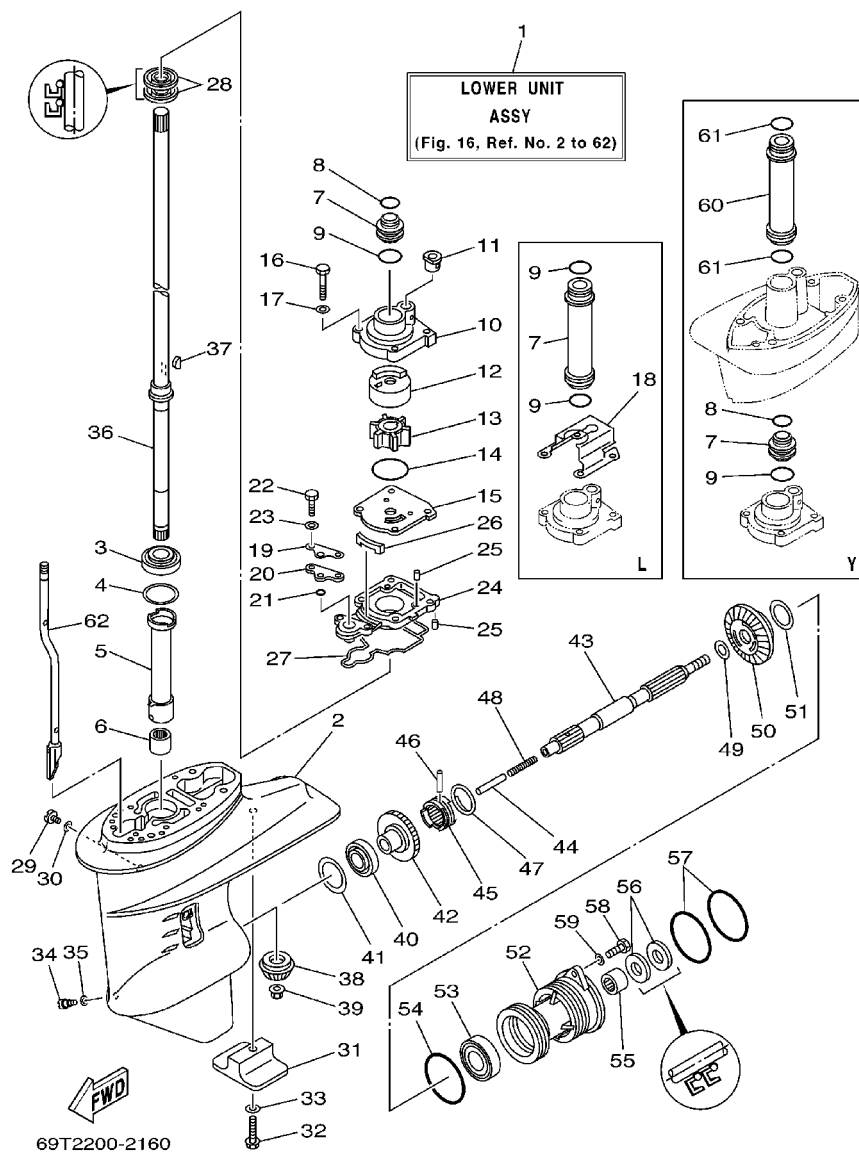
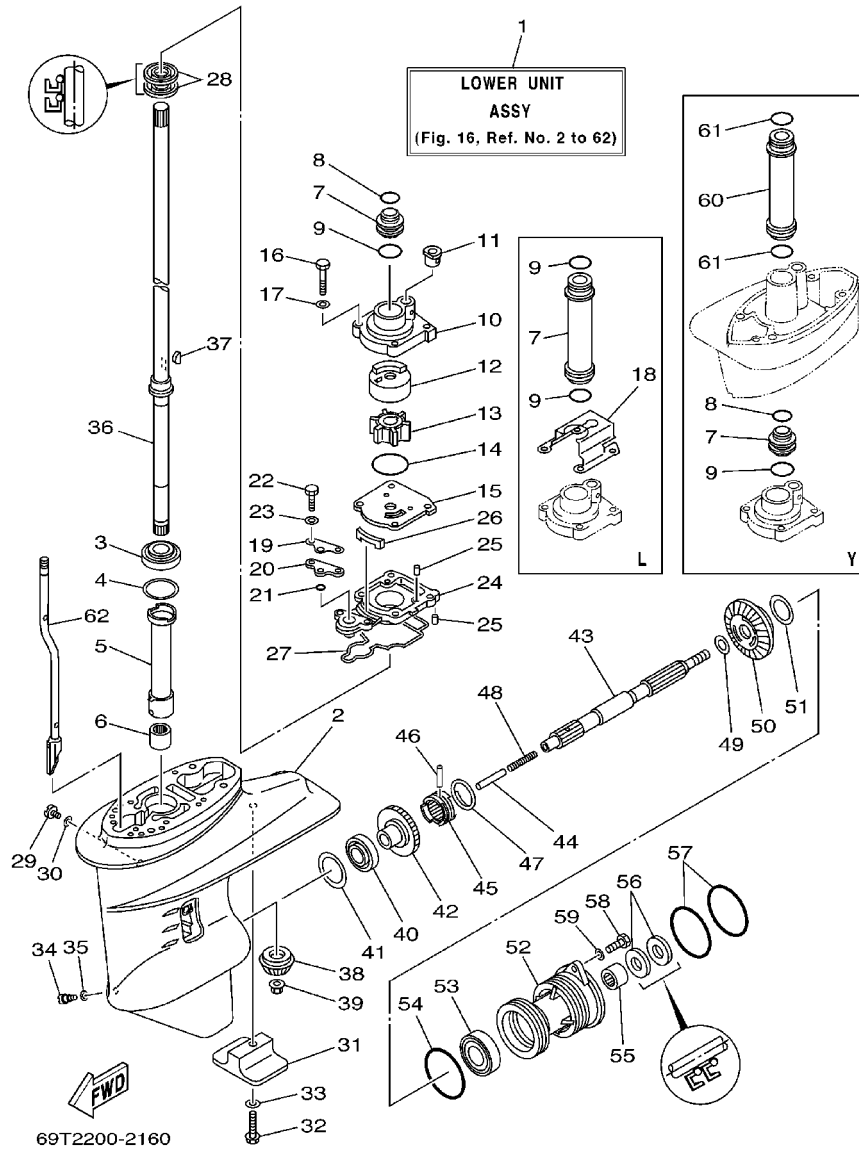


FIG. 16 LOWER CASING. DRIVE 1

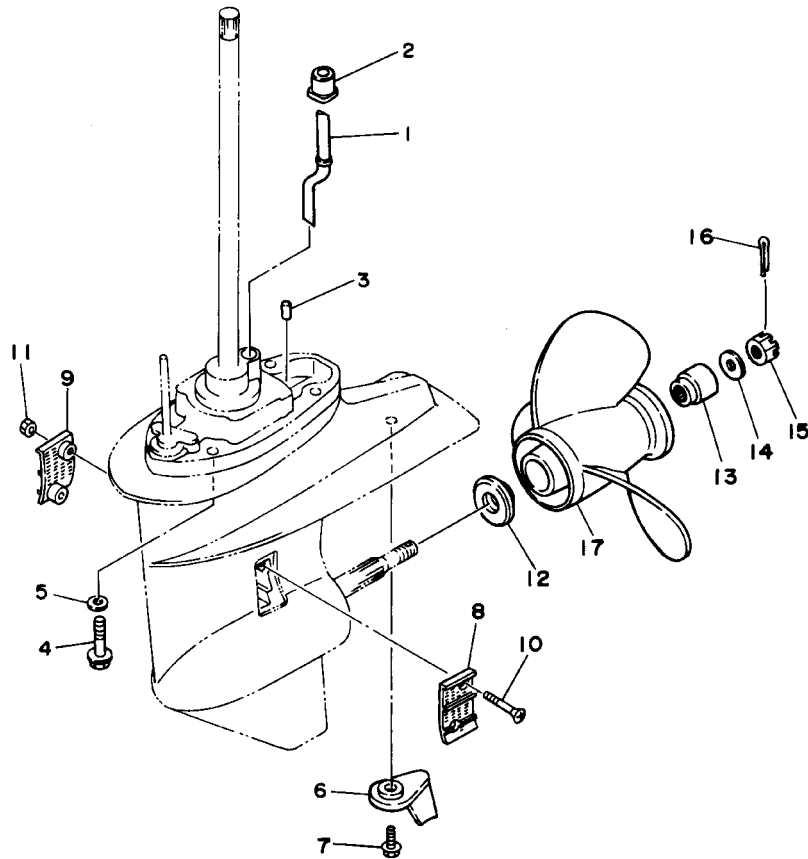
REF. NO.	PART NO.	DESCRIPTION	EK25		REMARKS
41	6L2-45567-00-11	SHIM (T:1.1MM)	1		UR
	6L2-45567-00-12	SHIM (T:1.2MM)	1		UR
	6L2-45567-00-13	SHIM (T:1.3MM)	1		UR
	6L2-45567-00-14	SHIM (T:1.4MM)	1		UR
42	61N-45560-00	GEAR	1		
43	6L2-45611-00	SHAFT, PROPELLER	1		
44	648-45635-00	PLUNGER, SHIFT	1		
45	664-45631-02	CLUTCH, DOG	1		
46	90250-05010	PIN, STRAIGHT	1		
47	648-45633-00	RING, CROSS PIN	1		
48	90501-10065	SPRING, COMPRESSION	1		
49	90201-20417	WASHER, PLATE	1		
50	61N-45571-00	GEAR	1		
51	6L2-45577-00-10	SHIM (T:1.0MM)	1		UR
	6L2-45577-00-11	SHIM (T:1.1MM)	1		UR
	6L2-45577-00-12	SHIM (T:1.2MM)	1		UR
	6L2-45577-00-13	SHIM (T:1.3MM)	1		UR
52	61N-45361-01-4D	CAP, LOWER CASING	1		
53	93306-00612	BEARING	1		
54	93210-64ME7	O-RING	1		
55	93315-22004	BEARING	1		
56	93101-20M07	OIL SEAL	2		
57	93210-65M50	O-RING	2		
58	97075-06020	BOLT	2		
59	92995-06600	WASHER	2		
60	61N-44362-10	TUBE, WATER	1		Y
61	93210-26130	O-RING	2		Y

FIG. 16 LOWER CASING. DRIVE 1



REF. NO.	PART NO.	DESCRIPTION	EK25				REMARKS
62	61N-44150-00	SHIFT CAM ASSY	1				S
	61N-44150-10	SHIFT CAM ASSY	1				L
	61N-44150-20	SHIFT CAM ASSY	1				Y

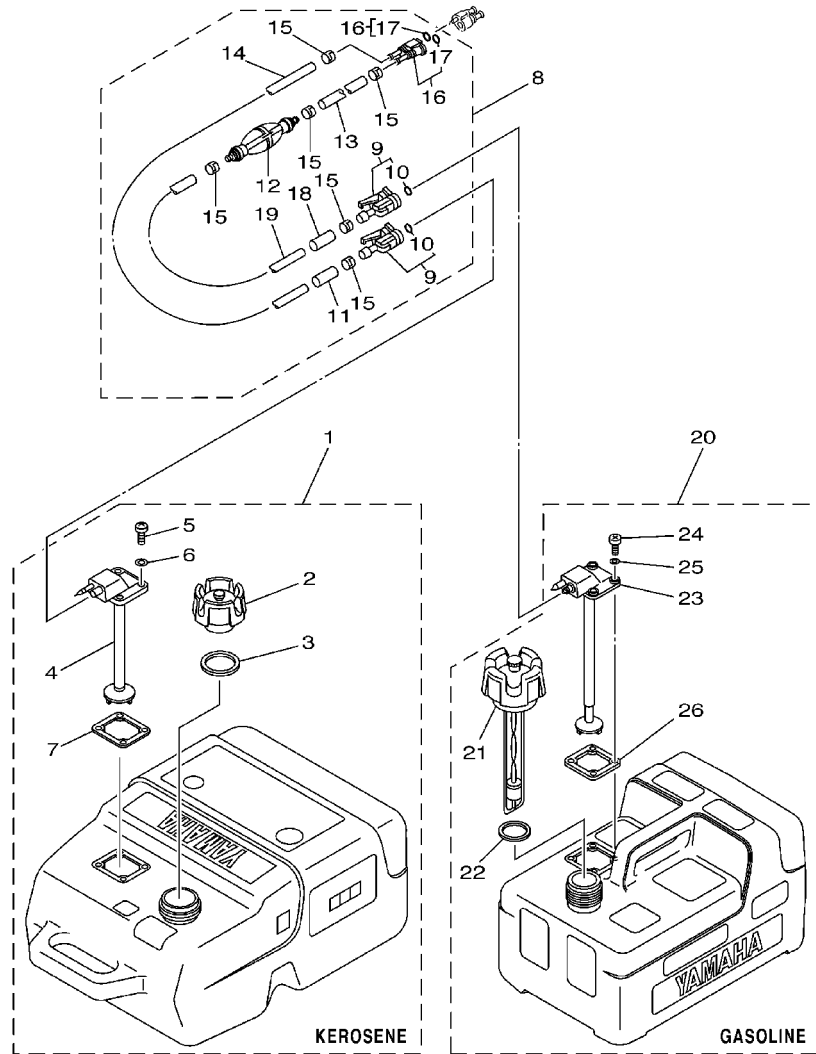
FIG. 17 LOWER CASING. DRIVE 2



61R0010-4180

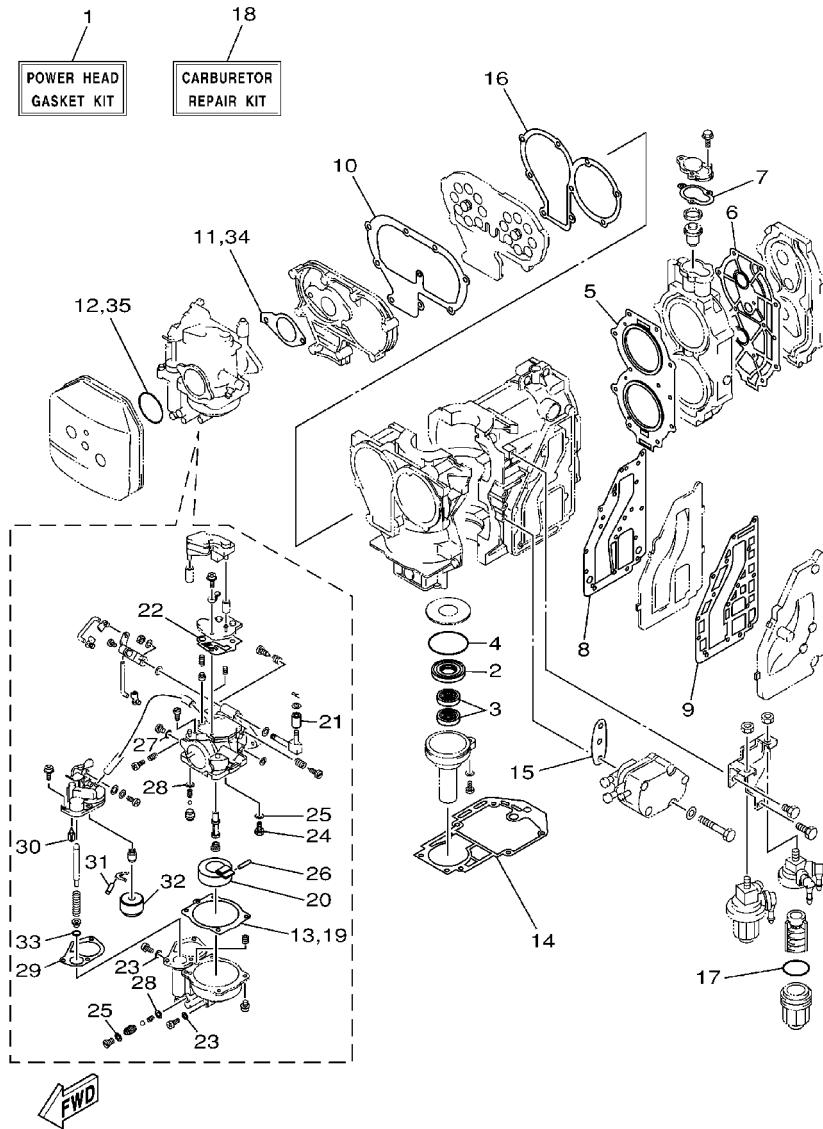
REF. NO.	PART NO.	DESCRIPTION	EK25				REMARKS
1	61N-44361-00	TUBE, WATER	1				S
	61N-44361-10	TUBE, WATER	1				L
	61N-44361-20	TUBE, WATER	1				Y
2	689-44366-00	DAMPER, WATER SEAL	1				
3	93606-11M24	PIN, DOWEL	2				
4	90105-10M12	BOLT, FLANGE	4				S/L
5	92995-10600	WASHER	4				S/L
6	61N-45371-00	TAB-TRIM	1				
7	90119-06M48	BOLT, WITH WASHER	1				
8	6L2-45214-00	COVER, WATER INLET	1				
9	6L2-45215-00	COVER, WATER INLET	1				
10	90151-05M05	SCREW, COUNTERSUNK	2				
11	90185-05002	NUT, SELF-LOCKING	2				
12	6L2-45987-01	SPACER	1				
13	689-45997-00	SPACER	1				
14	92990-14200	WASHER, PLAIN	1				
15	90171-14013	NUT, CASTLE	1				
16	91490-30022	PIN, COTTER	1				
17	664-45941-01-EL	PROPELLER (3X9-7/8"X9"-F)	1				UR
	664-45943-01-EL	PROPELLER (3X9-7/8"X8"-F)	1				UR
	664-45945-00-EL	PROPELLER (3X9-7/8"X10-1/2"-F)	1				UR
	664-45947-01-EL	PROPELLER (3X9-7/8"X11-1/4"-F)	1				UR
	664-45949-02-EL	PROPELLER (3X9-7/8"X13"-F)	1				UR
	664-45952-00-EL	PROPELLER (3X9-7/8"X14"-F)	1				UR
	664-45954-00-EL	PROPELLER (3X9-7/8"X12"-F)	1				UR
	62C-45941-00-EL	PROPELLER (3X9-7/8"X10"-F)	1				UR

FIG. 18 FUEL TANK



REF. NO.	PART NO.	DESCRIPTION	EK25				REMARKS
1	6YK-24201-20	FUEL TANK ASSY (25L,KEROSENE)	1				AP KEROSENE
2	6YK-24610-10	.CAP ASSY	1				WITHOUT INDICATOR
3	6YL-24641-00	.GASKET, CAP 1	1				
4	6YK-24260-01	.FUEL METER ASSY	1				
5	90157-05M16	.SCREW, PAN HEAD	4				
6	6YL-24329-00	.SEAL	4				
7	6YL-24268-01	.GASKET, FUEL METER	1				
8	6YK-24306-02	FUEL PIPE COMP. 1	1				AP
9	6Y1-24305-04	.FUEL PIPE JOINT COMP. 2	2				
10	93210-08287	.O-RING	1				
11	6Y1-24397-10	.COLLAR (KEROSENE)	1				
12	61J-24360-00	.PRIMER PUMP ASSY	1				
13	90445-11M05	.HOSE (L850)	1				
14	90445-11M81	.HOSE (L3000)	1				
15	650-24351-01	.BAND 1	6				
16	680-24305-01	.FUEL PIPE JOINT COMP. 2	1				
17	93210-08287	.O-RING	2				
18	6Y1-24397-00	.COLLAR (GASOLINE)	1				
19	90445-11M06	.HOSE (L2050)	1				
20	6YL-24201-02	FUEL TANK ASSY (12L)	1				AP GASOLINE
21	6YL-24610-00	.CAP ASSY	1				
22	6YL-24641-00	.GASKET, CAP 1	1				
23	6YL-24260-01	.FUEL METER ASSY	1				
24	90157-05M16	.SCREW, PAN HEAD	4				
25	6YL-24329-00	.SEAL	4				
26	6YL-24268-01	.GASKET, FUEL METER	1				

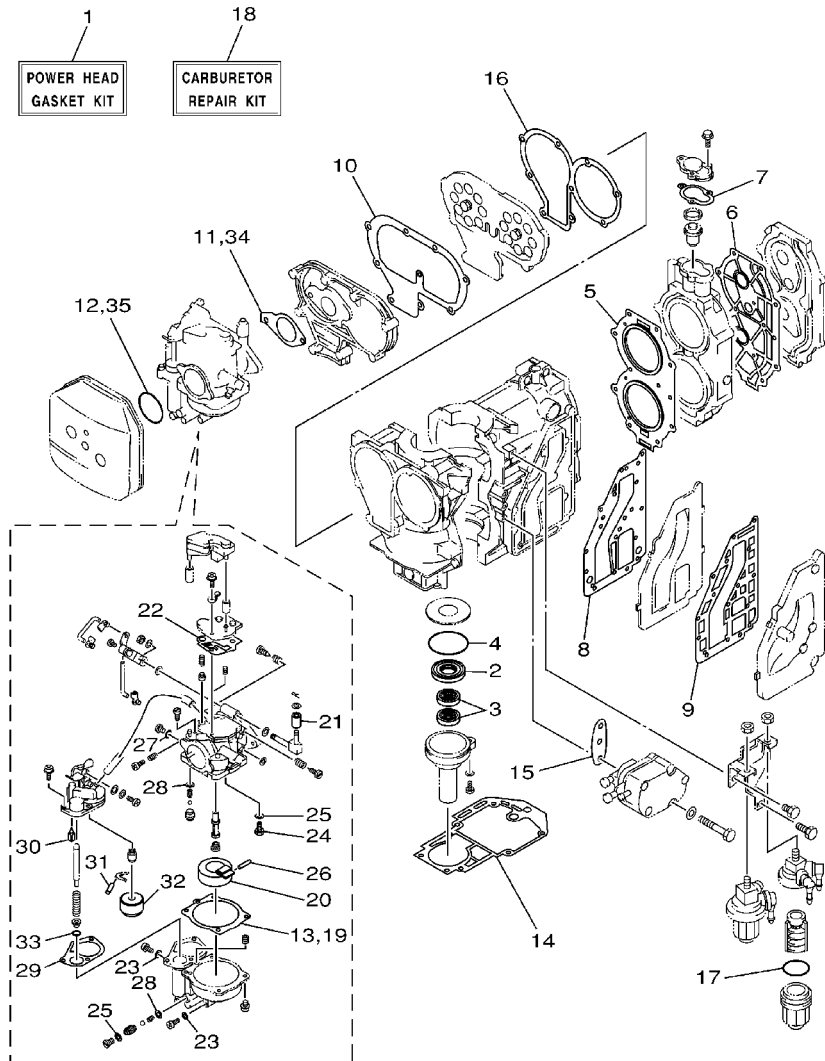
FWD
69T0200-1181



69T0200-1200

FIG. 19 REPAIR KIT 1

REF. NO.	PART NO.	DESCRIPTION	EK25				REMARKS
1	69T-W0001-00	POWER HEAD GASKET KIT	1				
2	93102-25008	.OIL SEAL	1				
3	93101-16001	.OIL SEAL	2				
4	93210-58M21	.O-RING	1				
5	61N-11181-A1	.GASKET, CYLINDER HEAD 1	1				
6	61T-11193-A1	.GASKET, HEAD COVER 1	1				
7	655-12414-A1	.GASKET, COVER	1				
8	6K8-41122-A1	.GASKET, EXHAUST INNER COVER	1				
9	6K8-41124-A1	.GASKET, EXHAUST OUTER COVER	1				
10	6J0-13645-00	.GASKET, MANIFOLD 1	1				
11	648-14198-00	.GASKET	1				
12	93210-39M89	.O-RING	1				
13	6A4-14384-00	.GASKET, FLOAT CHAMBER	1				
14	689-45113-A1	.GASKET, UPPER CASING	1				
15	650-24431-A0	.GASKET, FUEL PUMP 1	1				
16	648-13621-A1	.GASKET, VALVE SEAT	1				
17	93210-32738	.O-RING	2				
18	69T-W0093-00	CARBURETOR REPAIR KIT	1				
19	6A4-14384-00	.GASKET, FLOAT CHAMBER	1				
20	648-14385-00	.FLOAT	1				
21	69T-41231-00	.COLLAR, GUIDE PIN	1				
22	6A4-14398-01	.GASKET	1				
23	650-14227-01	.PACKIN	2				
24	6J0-14390-14	.NEEDLE VALVE ASSY	1				
25	367-14195-00	.GASKET	2				
26	689-14386-00	.PIN, FLOÄT	1				
27	652-14397-00	.O-RING	1				

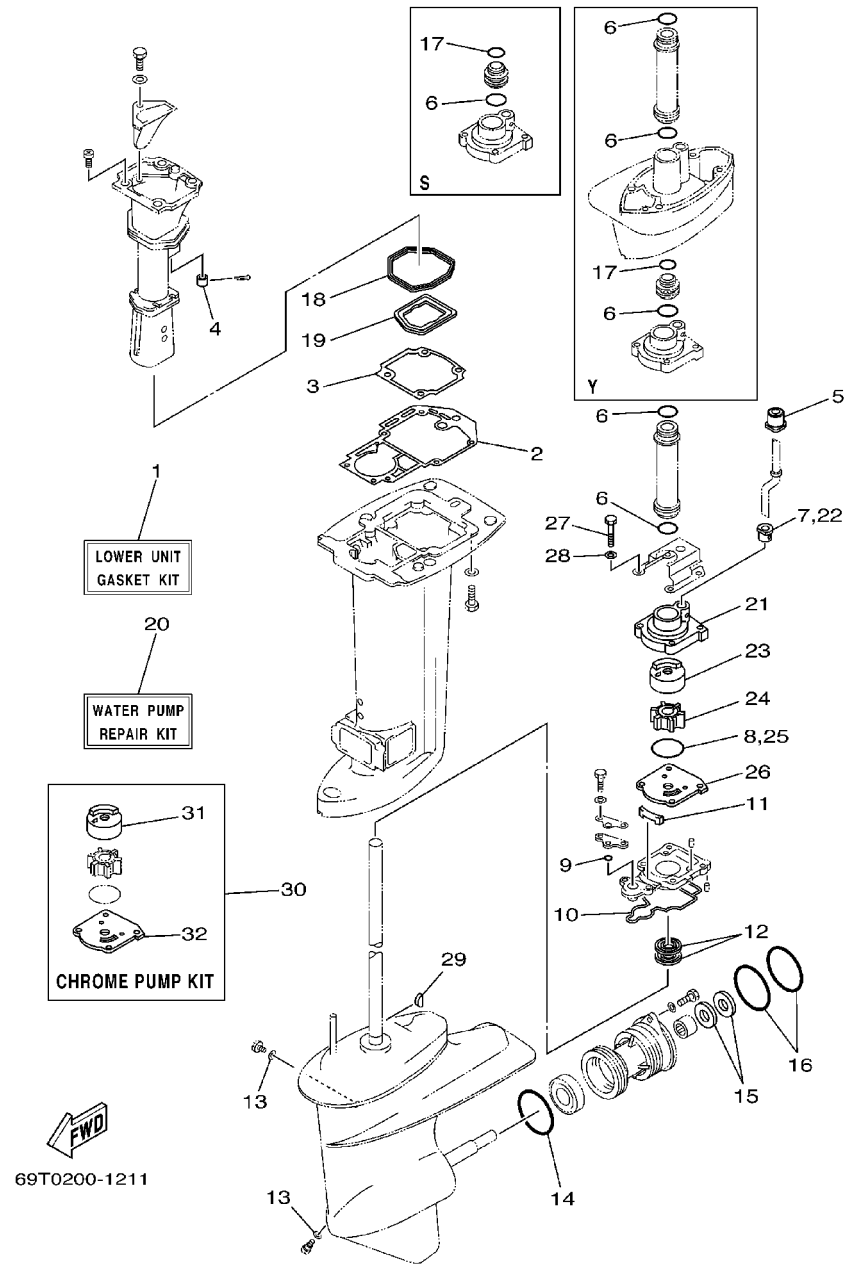


69T0200-1200

FIG. 19 REPAIR KIT 1

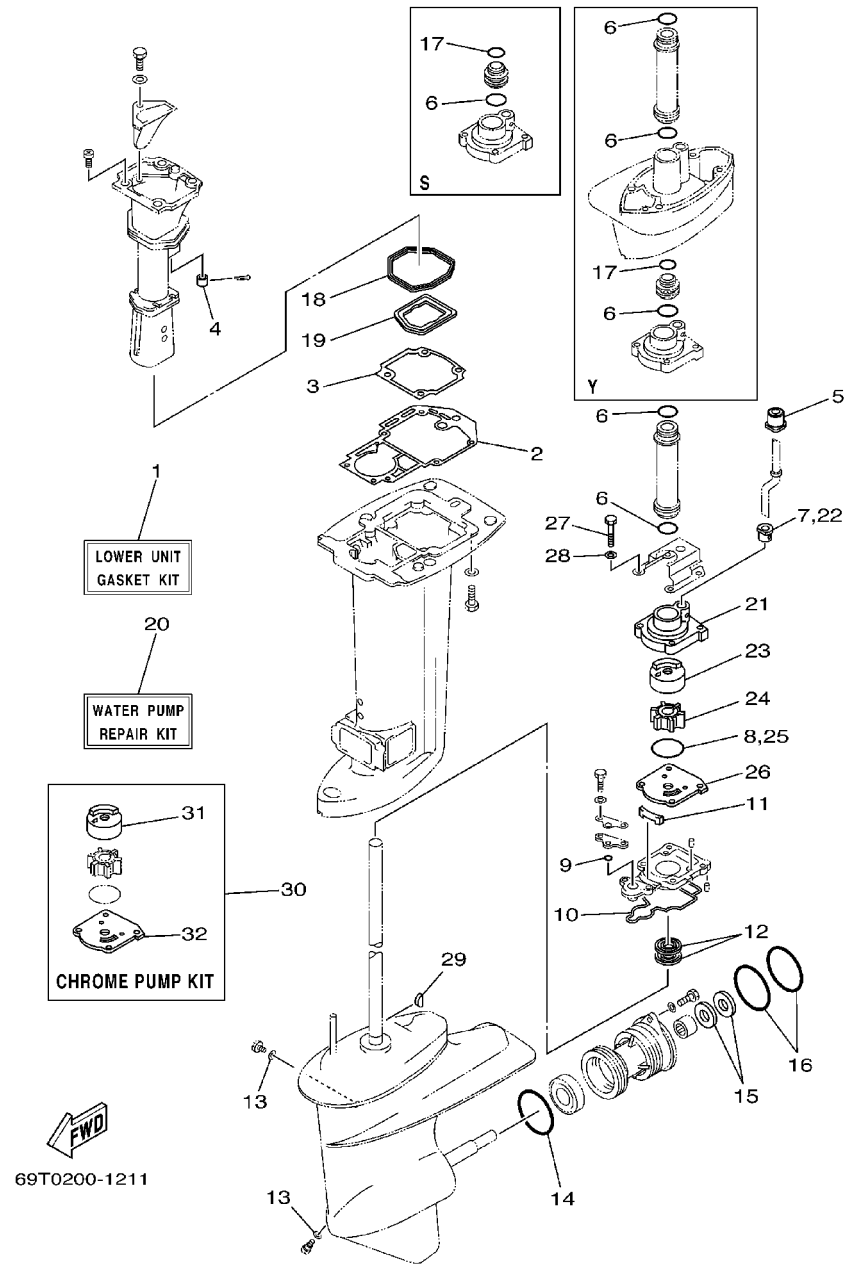
REF. NO.	PART NO.	DESCRIPTION	EK25					REMARKS
28	6F5-14372-01	.SEAT, PACKING	2					
29	6J0-14384-00	.GASKET, FLOAT CHAMBER	1					
30	62C-14392-00	.VALVE, NEEDLE	1					
31	6A4-14386-00	.PIN, FLOAT	1					
32	652-14385-00	.FLOAT	1					
33	652-14147-00	.O-RING	1					
34	648-14198-00	.GASKET	1					
35	93210-39M89	.O-RING	1					

FIG. 20 REPAIR KIT 2



REF. NO.	PART NO.	DESCRIPTION	EK25				REMARKS
1	69P-W0001-20	LOWER UNIT GASKET KIT	1				
2	689-45113-A1	.GASKET, UPPER CASING	1				
3	69P-41134-A0	.GASKET, EXHAUST MANIFOLD	1				
4	6A8-41135-00	.GASKET, EXHAUST MANIFOLD	1				
5	689-44366-00	.DAMPER, WATER SEAL	1				
6	93210-26130	.O-RING	3				UN
7	6L2-44367-00	.DAMPER, WATER SEAL	1				
8	93210-45161	.O-RING	1				
9	93210-06ME6	.O-RING	1				
10	61N-45315-00	.PACKING, LOWER CASING	1				
11	61N-45127-00	.SEAL	1				
12	93101-22067	.OIL SEAL	2				
13	90430-08020	.GASKET	2				
14	93210-64ME7	.O-RING	1				
15	93101-20M07	.OIL SEAL	2				
16	93210-65M50	.O-RING	2				
17	93210-22164	.O-RING	1				S/Y
18	69P-41138-00	.SEAL, EXT. 1	1				
19	69P-41139-00	.SEAL, EXT. 2	1				
20	69P-W0078-00	WATER PUMP REPAIR KIT	1				
21	69P-44311-00	.HOUSING, WATER PUMP	1				
22	6L2-44367-00	.DAMPER, WATER SEAL	1				
23	69P-44322-00	.INSERT, CARTRIDGE	1				
24	6H4-44352-02	.IMPELLER	1				
25	93210-45161	.O-RING	1				
26	61N-44323-00	.OUTER PLATE, CARTRIDGE	1				
27	97095-06040	.BOLT	4				

FIG. 20 REPAIR KIT 2



REF. NO.	PART NO.	DESCRIPTION	EK25				REMARKS
28	92995-06600	.WASHER	4				
29	90280-03M03	.KEY, WOODRUFF	1				
30	69P-W0078-0A	CHROME PUMP KIT	1				
31	69P-44322-40	.INSERT, CARTRIDGE	1				
32	61N-44323-40	.OUTER PLATE, CARTRIDGE	1				
<hr/>							
<hr/>							
<hr/>							
<hr/>							
<hr/>							
<hr/>							
<hr/>							
<hr/>							

NUMERICAL INDEX

PART NO.	REF. NO.	PART NO.	REF. NO.	PART NO.	REF. NO.	PART NO.	REF. NO.	PART NO.	REF. NO.	PART NO.	REF. NO.
69P-W0001-20	20 - 1	648-13641-02-1S	4 - 4	6A4-14384-00	5 - 2	656-15772-00-94	7 - 31	6E0-28193-00-94	6 - 46	69P-42511-00-4D	14 - 4
69T-W0001-00	19 - 1	6J0-13645-00	4 - 5	61T-15774-40-94	19 - 13	61T-15774-40-94	7 - 39	626-28193-01-94	6 - 46	689-42521-00-94	14 - 7
689-W0004-60	4 - 2		19 - 10	6F5-15779-02	19 - 19	6F5-15779-02	7 - 17	6K8-41121-00-1S	2 - 31	647-42523-00	10 - 16
61N-W0070-HO	1 - 11	6A4-13945-00	5 - 53	6A0-15789-00	5 - 36	6A0-15789-00	7 - 22	6K8-41122-A1	2 - 32	648-42528-00	14 - 1
69P-W0078-0A	20 - 30	6A4-14146-00	5 - 59	6J0-14384-00	19 - 29	6YK-24201-20	18 - 1		19 - 8	624-42542-00	9 - 7
69P-W0078-00	20 - 20	652-14147-00	5 - 52	648-14385-00	5 - 5	6YL-24201-02	18 - 20	61N-41123-00-1S	2 - 33	69T-42610-K0-4D	1 - 1
69T-W0084-00-4D	11 - 1		19 - 33	652-14385-00	19 - 20	6YK-24260-01	18 - 4	6K8-41124-A1	2 - 36	69P-42613-00-4D	1 - 7
69T-W0090-00-1S	2 - 1	6J0-14182-00	5 - 42	6A4-14386-00	5 - 40	6YL-24260-01	18 - 23		19 - 9	6G0-42615-00	1 - 2
69T-W0093-00	19 - 18	367-14195-00	5 - 26	689-14386-00	19 - 32	6YL-24268-01	18 - 7	69P-41131-01-5B	15 - 6	61N-42628-00	1 - 10
61N-W1571-11	7 - 1		19 - 25	6A4-14386-00	5 - 39		18 - 26	69P-41134-A0	15 - 7	689-42647-00	1 - 3
656-W2810-02	6 - 45	648-14198-00	4 - 10	689-14386-00	5 - 27	680-24304-01	6 - 1		20 - 3	6G0-42651-02	1 - 5
62C-11111-00-1S	2 - 19		19 - 11	6J0-14387-00	5 - 38	6Y1-24305-04	18 - 9	6A8-41135-00	15 - 14	69P-42677-HO	1 - 12
61N-11181-A1	2 - 21		19 - 34	6J0-14390-14	5 - 25	680-24305-01	18 - 16		20 - 4	62C-42678-K0	1 - 13
	19 - 5	646-14212-01	5 - 21	62C-14392-00	5 - 37	6YK-24306-02	18 - 8	69P-41137-00-5B	15 - 9	6A4-42711-05-4D	10 - 1
61N-11191-01-1S	2 - 22	6A4-14225-00	5 - 60	6J0-14390-14	5 - 25	6G0-24311-00	6 - 17	69P-41138-00	15 - 12	664-42715-00	12 - 20
61T-11193-A1	2 - 23	650-14227-01	5 - 13	62C-14392-00	19 - 24	62C-24312-00	6 - 42		20 - 18	69P-42716-00	14 - 25
	19 - 6		19 - 23	69T-14301-00	5 - 37	6A4-24314-00	6 - 16	69P-41139-00	15 - 13	65W-42717-00	15 - 2
6J8-11325-00	2 - 12	69T-14301-00	5 - 1	69T-14310-00	19 - 30	6A4-24329-00	6 - 4		20 - 19	69P-42717-00	14 - 24
689-11325-00	2 - 17	69T-14310-00	5 - 19	6A4-14394-00	5 - 29	6YL-24329-00	18 - 6	69T-41213-00	12 - 17	689-42718-00	14 - 21
6H3-11327-00-1S	2 - 13	664-14321-01	5 - 20	652-14397-00	5 - 28		18 - 25	69T-41216-00	5 - 8	682-42724-00	10 - 14
6H3-11328-00	2 - 14	6J0-14323-00	5 - 62		19 - 27	650-24351-01	18 - 15	69T-41231-00	5 - 6	689-42725-01	10 - 15
676-11372-00	2 - 20	647-14323-00	5 - 54	6A4-14398-01	5 - 11	61J-24360-00	18 - 12		19 - 21	6E7-42791-00	10 - 22
	2 - 34	6A0-14325-00	6 - 30	62C-14435-00	19 - 22	6Y1-24397-00	18 - 18	662-41237-01	12 - 6	6G0-42796-00	10 - 5
69T-11400-00	3 - 1	62C-14326-00	5 - 61	62C-14440-00	4 - 19	6Y1-24397-10	18 - 11		12 - 11	689-42815-00	10 - 9
69P-11412-00	3 - 2	677-14327-01	5 - 45	689-14497-00	4 - 11	62C-24410-00	6 - 20	679-41241-01	12 - 8	689-42816-00	10 - 12
61N-11422-00	3 - 3	6J0-14329-01	5 - 47	62Y-14597-00	12 - 1	663-24411-00	6 - 32	6J0-41252-00	4 - 23	689-43111-03-4D	13 - 1
61N-11432-00	3 - 4	6A4-14332-00	5 - 35	69P-15100-00-1S	5 - 15	692-24411-00	6 - 28	62C-41256-00	4 - 24	689-43112-02-4D	13 - 2
61N-11442-00	3 - 5	6F5-14332-01	5 - 31	689-15396-01-5B	2 - 2	6A0-24412-02	6 - 37	6F5-41262-01	5 - 44	6J8-43113-01	13 - 13
61N-11515-00	3 - 10	656-14335-00	5 - 22	61N-15711-10	7 - 2	6A0-24413-00	6 - 34	661-41262-02	4 - 25	6F5-43114-00	13 - 6
61N-11603-00	3 - 19	6A4-14339-01	5 - 51	6F5-15713-01	7 - 5	6A0-24421-01	6 - 29		5 - 48	6G0-43116-00	13 - 5
61N-11604-00	3 - 19	6J0-14341-00	5 - 4	6G0-15714-01	7 - 3	650-24431-A0	6 - 38	682-41271-00	4 - 20	663-43118-01	13 - 3
61N-11605-00	3 - 19	6J0-14342-24	5 - 41	61N-15715-00	7 - 6		19 - 15	689-41273-00	4 - 21	6J8-43131-01	13 - 8
61N-11631-00-95	3 - 18	648-14343-78	5 - 3	6F5-15716-01	7 - 8	652-24432-00	6 - 26	6J8-41274-00	4 - 22	6G5-43145-01	13 - 9
689-11633-00	3 - 20	6J0-14344-43	5 - 24	6F5-15716-01	7 - 8	648-24434-01	6 - 27	676-41611-00	8 - 17	689-43160-00	13 - 19
688-11634-00	3 - 22	6A4-14346-01	5 - 10	6F5-15723-01	7 - 34	648-24435-02	6 - 33	689-41612-01	8 - 21	689-43165-00	13 - 20
61N-11635-00	3 - 18	6J0-14348-00	5 - 18	6F5-15726-01	7 - 11	62C-24461-00	6 - 22	676-41613-00	8 - 18	689-43191-00	13 - 14
61N-11636-00	3 - 18	6J0-14353-25	5 - 56	61N-15734-00	7 - 7	652-24461-00	6 - 21	62C-41615-00	9 - 1	689-43192-01	13 - 15
689-11651-00	3 - 12	6A4-14355-00	5 - 33	6F5-15739-00	7 - 16	652-24471-00	6 - 25	61N-41631-00-94	12 - 2	689-43311-03-4D	13 - 27
689-11681-01	3 - 13	6A4-14355-10	5 - 34	6F5-15741-01	7 - 4	61N-24521-00	6 - 11	689-42111-01-4D	11 - 2	682-43318-01	13 - 44
6F5-12411-02	2 - 26	6L2-14357-00	5 - 55	656-15748-00	7 - 37	61N-24560-00	6 - 9	69P-42112-00-4D	11 - 7	689-43373-01	14 - 2
655-12413-01-1S	2 - 28	69T-14367-00	5 - 7	656-15749-00	7 - 41	61N-24563-00	6 - 10	664-42119-00	11 - 12	689-43614-01	13 - 38
655-12414-A1	2 - 29	6A4-14369-01	5 - 32	6G0-15754-00	7 - 9	62C-24566-01	6 - 13	656-42126-01	11 - 21	648-43615-00	13 - 39
	19 - 7	69T-14370-00	5 - 50	689-15755-01	7 - 14	6YK-24610-10	18 - 2	6J0-42137-00	11 - 15	689-43616-00	13 - 33
677-13437-08	1 - 14	62C-14371-00	5 - 23	61N-15758-01-4D	7 - 18	6YL-24610-00	18 - 21	689-42138-00	11 - 20	648-43617-00	13 - 36
6J0-13610-00	4 - 1	6F5-14372-01	5 - 30	6F5-15762-00	7 - 19	6YL-24641-00	18 - 3	656-42153-00-94	12 - 14	689-43631-00	13 - 30
62C-13610-00	4 - 1		19 - 28	6F5-15764-00	7 - 15		18 - 22	689-42154-80-94	12 - 13	689-43633-00	13 - 31
648-13621-A1	4 - 3	6J0-14379-10	5 - 43	61T-15770-00	7 - 36	62C-26311-00	11 - 24	689-42169-01	12 - 10	648-43642-00	13 - 34
	19 - 16	62C-14379-00	5 - 46	656-15771-00-94	7 - 29	61N-26326-00	10 - 17	6F6-42177-A0	11 - 13	689-43643-00	13 - 32

NUMERICAL INDEX

PART NO.	REF. NO.	PART NO.	REF. NO.	PART NO.	REF. NO.	PART NO.	REF. NO.	PART NO.	REF. NO.	PART NO.	REF. NO.
689-43681-01	13 - 43	69P-45111-00-4D	15 - 1	61N-45587-00-12	16 - 4	90105-08M10	7 - 35	90202-06007	12 - 29	90445-11M81	18 - 14
689-44111-01-4D	12 - 24	69P-45111-10-4D	15 - 1	61N-45587-00-13	16 - 4	90105-10M12	17 - 4		12 - 38	90461-06M01	4 - 27
664-44113-01	12 - 25	689-45113-A1	2 - 41	61N-45587-00-14	16 - 4	90109-06M12	13 - 7	90202-10024	12 - 35	90465-13M11	9 - 19
689-44121-01	12 - 32		19 - 14	61N-45587-00-15	16 - 4	90109-06M18	13 - 45	90202-24M32	3 - 15	90467-08004	6 - 7
689-44125-00	12 - 33		20 - 2	61N-45587-00-16	16 - 4	90116-06M08	4 - 13	90206-05005	7 - 46		6 - 18
664-44142-00	12 - 27	663-45119-00	13 - 18	6L2-45611-00	16 - 43	90116-10M34	15 - 22	90206-08010	7 - 44		6 - 43
61N-44143-00	12 - 37		13 - 29	664-45631-02	16 - 45	90119-06MA0	2 - 39	90206-12052	10 - 10	90467-09M03	6 - 8
61N-44146-00	12 - 41		14 - 23	648-45633-00	16 - 47	90119-06MA2	2 - 24	90206-28001	11 - 6		6 - 19
61N-44150-00	16 - 62	61N-45127-00	16 - 26	648-45635-00	16 - 44		2 - 30	90209-05M24	4 - 16		6 - 44
61N-44150-10	16 - 62		20 - 11	62C-45941-00-EL	17 - 17	90119-06MA3	2 - 37	90209-47016	14 - 9	90480-14M14	1 - 9
61N-44150-20	16 - 62	69P-45127-00	15 - 17	664-45941-01-EL	17 - 17		7 - 30	90240-05047	13 - 40	90480-15M06	10 - 2
664-44167-01	12 - 21	69P-45128-00	15 - 18	664-45943-01-EL	17 - 17		7 - 32	90243-04007	13 - 4	90480-17M08	10 - 21
61N-44176-00	16 - 19	69P-45159-00	15 - 20	664-45945-00-EL	17 - 17	90119-06MA4	2 - 38	90249-06M22	13 - 35	90480-25161	9 - 26
695-44194-00	9 - 2	61N-45211-20-4D	15 - 23	664-45947-01-EL	17 - 17	90119-06M48	17 - 7	90250-05010	16 - 46	90480-29045	14 - 5
69P-44311-00	16 - 10	6L2-45214-00	17 - 8	664-45949-02-EL	17 - 17	90119-06M49	12 - 4	90266-04M00	1 - 6	90501-09M08	12 - 23
	20 - 21	6L2-45215-00	17 - 9	664-45952-00-EL	17 - 17	90119-06M73	10 - 13	90266-04M01	1 - 4	90501-10065	16 - 48
69P-44322-00	20 - 23	61N-45251-01	16 - 31	664-45954-00-EL	17 - 17	90119-06M95	9 - 8	90269-02M09	11 - 16	90501-10227	7 - 38
69P-44322-40	16 - 12	69P-45300-00-4D	16 - 1	6L2-45987-01	17 - 12	90119-06024	15 - 19	90280-03M03	16 - 37	90501-14M07	12 - 22
	20 - 31	69P-45300-10-4D	16 - 1	689-45997-00	17 - 13	90119-06025	7 - 33		20 - 29	90501-23215	11 - 18
61N-44323-00	20 - 26	69P-45300-20-4D	16 - 1	69P-47467-00-5B	15 - 16	90119-08M03	14 - 47	90280-05015	8 - 14	90502-10M07	13 - 22
61N-44323-40	16 - 15	61N-45311-02-4D	16 - 2	69P-47467-10-5B	15 - 16	90119-08M65	2 - 4	90340-08002	16 - 29	90506-16M17	13 - 46
	20 - 32	61N-45315-00	16 - 27	61N-81313-09	8 - 4	90119-08009	2 - 3	90381-12M01	14 - 20	90506-30M27	13 - 42
65W-44328-11	16 - 18		20 - 10	6E9-81328-70	8 - 7	90119-08015	2 - 25	90386-08032	11 - 19	90508-14M13	12 - 34
6H4-44352-02	16 - 13	61N-45321-00	16 - 20	6H3-81922-00	9 - 18	90149-05M13	11 - 14	90386-10009	12 - 15	91490-12010	12 - 30
	20 - 24	61N-45331-00-5B	16 - 24	61N-82317-00	9 - 6	90151-05M05	17 - 10	90386-12069	10 - 11	91490-16010	5 - 14
61N-44361-00	17 - 1	688-45341-10	16 - 34	66T-82370-00	9 - 29	90151-06M02	2 - 18	90386-22M67	13 - 12		7 - 48
61N-44361-10	17 - 1	61N-45361-01-4D	16 - 52	61N-82519-01	9 - 10	90157-05M16	18 - 5	90386-38022	14 - 13		12 - 28
61N-44361-20	17 - 1	61N-45371-00	17 - 6	682-82556-00	10 - 19		18 - 24	90386-38090	14 - 11		13 - 41
61N-44362-00	16 - 7	61N-45375-00	15 - 21	689-8257Y-00	10 - 20	90170-10M42	14 - 27	90386-47M22	14 - 10	91490-20010	12 - 40
61N-44362-10	16 - 7	61N-45510-00	16 - 36	6E9-82575-02	10 - 18		14 - 33	90387-06M02	12 - 3	91490-30022	17 - 16
	16 - 60	61N-45510-10	16 - 36	6E9-85516-70	8 - 9	90171-14013	17 - 15	90387-06568	7 - 45	91490-30025	15 - 15
689-44366-00	17 - 2	61N-45510-20	16 - 36	663-85518-00	12 - 9	90176-10M01	14 - 38	90387-08M03	13 - 24	91690-30008	13 - 21
	20 - 5	61N-45536-00	16 - 5	61N-85537-00	8 - 13	90179-06M24	1 - 8	90387-08M25	10 - 3	91690-30016	13 - 16
6L2-44367-00	16 - 11	61N-45551-00	16 - 38	61N-85540-13	9 - 13	90179-10M03	15 - 25	90387-10M39	14 - 15	91690-40016	12 - 36
	20 - 7	61N-45560-00	16 - 42	69P-85541-09	8 - 3	90179-10M14	16 - 39	90387-13003	11 - 3	91690-40018	12 - 16
	20 - 22	6L2-45567-00-10	16 - 41	61N-85542-00-94	9 - 5	90179-16M05	8 - 15	90387-32002	3 - 16	91690-40035	13 - 47
664-44514-00-94	14 - 35	6L2-45567-00-11	16 - 41	61N-85543-09	8 - 5	90185-05002	17 - 11	90387-33001	11 - 4	91690-40040	4 - 26
689-44516-00	14 - 30	6L2-45567-00-12	16 - 41	61N-85543-19	8 - 6	90185-06062	11 - 23	90430-08020	16 - 30	92903-05600	7 - 47
69P-44518-00-94	14 - 14	6L2-45567-00-13	16 - 41	61N-85550-10	8 - 1	90185-22043	13 - 10		16 - 35	92903-06600	2 - 16
648-44519-00-94	14 - 16	6L2-45567-00-14	16 - 41	69P-85560-00	8 - 2	90201-06M30	9 - 9		20 - 13		4 - 7
689-44551-01-4D	14 - 43	61N-45571-00	16 - 50	69P-85561-00	8 - 10	90201-08M87	10 - 4	90445-09M55	5 - 57		4 - 9
689-44552-01-4D	14 - 45	6L2-45577-00-10	16 - 51	61N-85570-00	9 - 20	90201-16M44	8 - 16	90445-09M69	5 - 58		7 - 43
689-44553-00-94	14 - 39	6L2-45577-00-11	16 - 51	61N-85570-10	9 - 25	90201-20M27	3 - 23	90445-09M75	6 - 5	92903-10600	11 - 17
689-44555-00	14 - 44	6L2-45577-00-12	16 - 51	90101-08339	13 - 23	90201-20417	16 - 49	90445-10M41	2 - 35	92990-04500	6 - 24
689-44557-00	14 - 40	6L2-45577-00-13	16 - 51	90105-06M07	12 - 26	90201-21567	2 - 27	90445-10M42	6 - 41	92990-05100	5 - 16
648-44591-A0	14 - 29	61N-45587-00-07	16 - 4		14 - 6	90201-22M03	13 - 11	90445-10M43	6 - 6		6 - 36
	14 - 34	61N-45587-00-10	16 - 4	90105-06M08	14 - 26	90201-28013	11 - 5	90445-11M05	18 - 13	92990-05600	4 - 18
664-44591-A0	14 - 36	61N-45587-00-11	16 - 4	90105-06M18	14 - 3	90201-50306	2 - 40	90445-11M06	18 - 19		8 - 20

NUMERICAL INDEX

PART NO.	REF. NO.	PART NO.	REF. NO.	PART NO.	REF. NO.	PART NO.	REF. NO.	PART NO.	REF. NO.	PART NO.	REF. NO.
92990-05600	12 - 31	93210-08287	18 - 10	95380-05700	5 - 17	97802-04006	8 - 8				
	12 - 39		18 - 17		12 - 7	97880-05012	8 - 19				
92990-06100	9 - 12	93210-22164	16 - 8	95380-06600	4 - 14	97880-05030	4 - 17				
	9 - 17		20 - 17		7 - 28	97880-06010	8 - 22				
	9 - 24	93210-26130	16 - 9		12 - 42	97880-06016	15 - 8				
92990-06300	16 - 33		16 - 61	95380-08600	6 - 14	97890-04005	5 - 49				
92990-10200	14 - 28		20 - 6		13 - 26	97980-04112	5 - 9				
	14 - 37	93210-32738	6 - 12		14 - 46	98503-05028	6 - 35				
92990-14200	17 - 14		19 - 17	95380-08700	10 - 6	98580-04015	5 - 12				
92995-05600	12 - 19	93210-37160	14 - 12		10 - 8	98703-04010	6 - 23				
92995-06600	2 - 11	93210-39M89	4 - 12	95895-06035	16 - 32	99080-05600	13 - 37				
	4 - 15		19 - 12	97013-06016	2 - 15	99530-10014	7 - 25				
	6 - 3		19 - 35	97013-06025	4 - 6						
	6 - 40	93210-45161	16 - 14	97013-06035	4 - 8						
	7 - 21		20 - 8	97013-08030	7 - 10						
	7 - 24		20 - 25	97075-06020	16 - 58						
	7 - 27	93210-46M16	3 - 8	97075-08025	14 - 41						
	9 - 4	93210-58M21	2 - 9	97075-08030	15 - 4						
	9 - 15		19 - 4	97090-06012	9 - 11						
	9 - 22	93210-64ME7	16 - 54		9 - 16						
	9 - 28		20 - 14		9 - 23						
	11 - 9	93210-65M50	16 - 57	97095-05014	12 - 18						
	11 - 11		20 - 16	97095-06010	7 - 40						
	14 - 19	93306-00612	16 - 53		9 - 3						
	14 - 32	93306-305U3	3 - 9	97095-06012	6 - 15						
	16 - 17	93310-62406	3 - 14		12 - 5						
	16 - 23	93315-220V7	16 - 6	97095-06016	7 - 20						
	16 - 59	93315-22004	16 - 55	97095-06018	14 - 18						
	20 - 28	93332-000W5	16 - 3	97095-06020	6 - 2						
92995-08600	10 - 7	93332-00005	16 - 40		7 - 42						
	13 - 25	93390-00009	3 - 17		9 - 14						
	14 - 42	93399-99951	3 - 6		9 - 21						
	14 - 49	93440-62057	3 - 11		9 - 27						
	15 - 5	93602-20M02	3 - 21		11 - 10						
	15 - 11	93604-10M03	16 - 25		11 - 22						
92995-10600	15 - 26	93606-11M24	15 - 24		14 - 31						
	17 - 5		17 - 3	97095-06022	2 - 10						
93101-16001	2 - 8	93606-12019	2 - 5	97095-06025	16 - 22						
	19 - 3		14 - 17	97095-06035	7 - 23						
93101-20M07	16 - 56		15 - 3		7 - 26						
	20 - 15	93608-12063	14 - 8	97095-06040	16 - 16						
93101-22067	16 - 28	93700-06M03	13 - 17		20 - 27						
	20 - 12		13 - 28	97095-06050	6 - 39						
93102-25008	2 - 7		14 - 22		11 - 8						
	19 - 2	94702-00217	2 - 42	97095-08020	15 - 10						
93102-32M07	3 - 7	95303-08700	7 - 12	97095-08065	14 - 48						
93210-06ME6	16 - 21	95380-03600	6 - 31	97607-04112	8 - 11						
	20 - 9	95380-05600	12 - 12	97607-06125	8 - 12						

EK25BMH
PARTS CATALOGUE
©2002 by Yamaha Motor Co., Ltd.
1st Edition, Sep. 2002
All rights reserved.
Any reprinting or unauthorized use
without the written permission of
Yamaha Motor Co., Ltd.
is expressly prohibited.
Printed in Japan

G7