

PARTS CATALOGUE

4ACMH'09 (6E08)

5CMH'09 (6E38)

5CSMH'09 (6E48)

前言

本零件目录记载着封面页所示型号所使用的零件。当您订购更换零件时，请参阅本零件目录并正确指示零件号码和零件名称。

- 零件目录发行后有变更或附加零件时，将会以雅马哈零件信息通知大家。建议您应按照雅马哈零件信息修改本零件目录。

2. 省略记号

本文中所记载的省略记号的意思如下。

- “UR” 需要指定的零件号码。
- “UN” 需要数。
- “AP” 替代零件
- “LM” 当地制造（必需于当地订购的零件）
- “F#” 框号（适用的机器号）
- “O/S” 超过尺寸

3. 组件中部件的数量

- 组件的销售零件，如下所示，在零件名称的前面加上（.）的记号来表示。
- 每个部件右侧的数字表示各组件单体内该部件的数量。

零件号码	零件名称	数量	备注
2F5 - 83310 - 60	前闪光灯组合	2	
115 - 83311 - 60	. 灯泡 (6V - 18W)	1	

- 适用的图形颜色表示在“备注”中，如下所示。

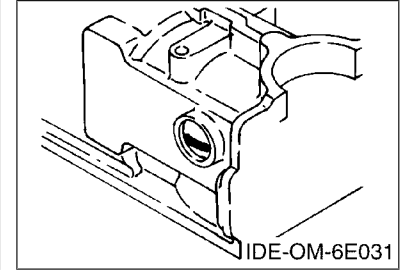
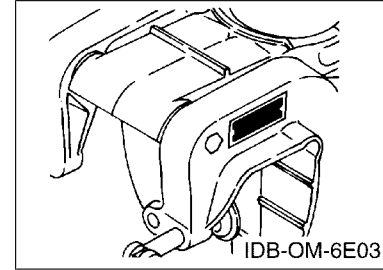
零件号码	零件名称	数量	备注
2N4 - 24110 - 00 - X5	燃油箱组件	2	MXR
3J1 - 24240 - 10	. 燃油箱图形	1	适用于 MXR

- 请注意插图只用于找寻零件号码时参照，并不适用于组装。组装时，请使用适用的维修手册。

- 在参照号码前的星号（*）表示其为在第一版后更改的项目。

7. 适用的系列号码

发动机系列号码



8. 适用的发动机初始系列号码

型号	系列号码	型号	系列号码
4AC	6E0K-1011631	5C	6E3K-1050541
5CS	6E3K-1050541		

9. 适用的颜色记号

省略记号	颜色名称（英文）	颜色名称	颜色记号
DBNM2	DARK BLUISH GRAY METALLIC 2	004D	004D

10. 数量栏信息

栏号	数量栏名称	适用型号
1	6E08	4ACMH
2	6E38	5CMH
3	6E48	5CSMH

CONTENTS

TOP COWLING.....	1
CYLINDER & CRANKCASE.....	2
INTAKE.....	5
STARTER.....	7
GENERATOR.....	9
ELECTRICAL.....	10
BOTTOM COWLING 1.....	11
BOTTOM COWLING 2.....	14
CONTROL.....	15
UPPER CASING & BRACKET.....	17
LOWER CASING & DRIVE.....	20
FUEL TANK.....	23
REPAIR KIT.....	24

INDEX

NUMERICAL INDEX.....	26
----------------------	----

目次

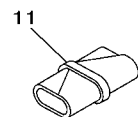
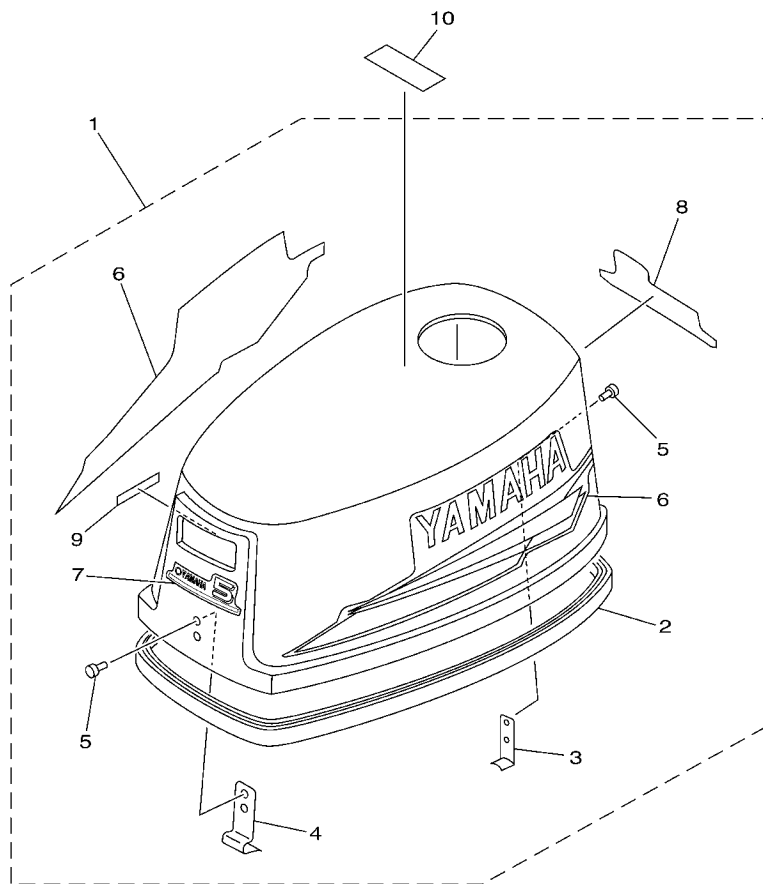
顶罩.....	1
气缸 & 曲轴箱.....	2
进气门.....	5
起动机.....	7
发电机.....	9
电球.....	10
底罩 1.....	11
底罩 2.....	14
控制系统.....	15
水上装置壳体 & 托架.....	17
水下装置壳体 & 驱动系统.....	20
油箱.....	23
修理套件.....	24

索引

零件号码索引.....	26
-------------	----

FIG. 1 TOP COWLING

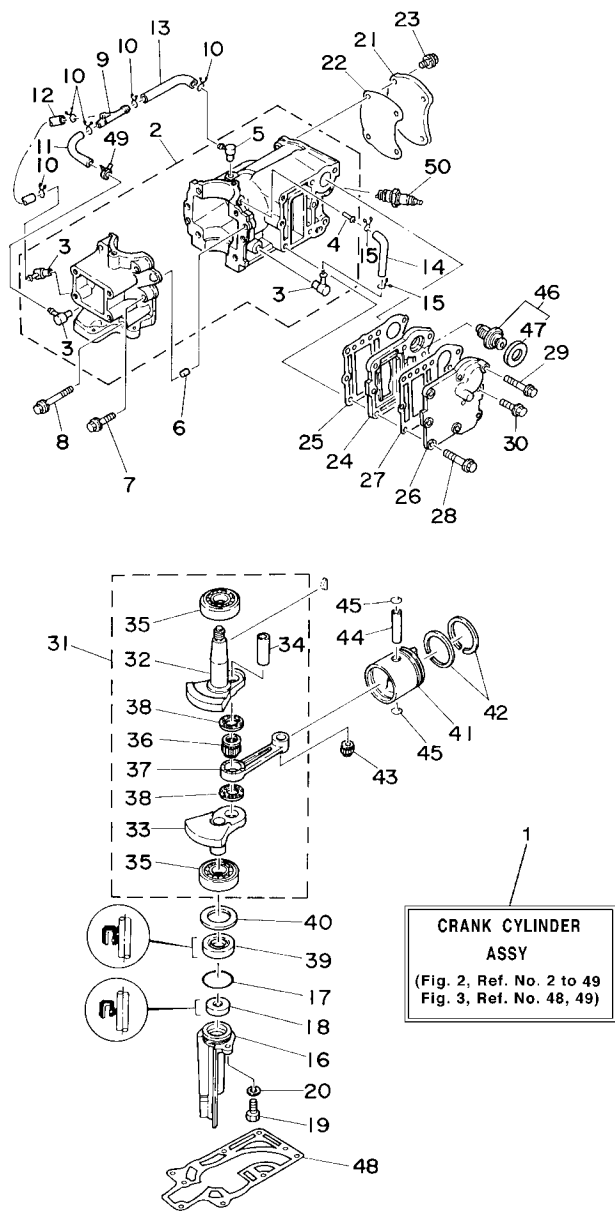
顶罩



6E08700-H010

REF. NO.	PART NO. 零件号码	DESCRIPTION 零件名称	6E08	6E38	6E48	REMARKS 备注
1	6E0-42610-40-4D	TOP COWLING ASSY 顶罩组合	1			
	6E3-42610-40-4D	TOP COWLING ASSY 顶罩组合		1		
	6E4-42610-30-4D	TOP COWLING ASSY 顶罩组合			1	
2	6E0-42615-00	.SEAL .密封	1	1	1	
3	6E0-42647-01	.HOLDER, CLAMP BAND .夹带支架	1	1	1	
4	6E0-42651-02	.HOOK .钩	1	1	1	
5	90266-04M00	.RIVET .铆钉	4	4	4	
6	6E0-W0070-14	.GRAPHIC SET .图样套	1	1	1	
7	6E0-42677-20	.GRAPHIC, FRONT .前图样	1			
	6E3-42677-20	.GRAPHIC, FRONT .前图样		1	1	
8	6E0-42678-12	.GRAPHIC, REAR .后图样	1			
	6E3-42678-12	.GRAPHIC, REAR .后图样		1	1	
9	6E0-44191-11	.INDICATOR, SHIFT .换挡指示器	1	1	1	
10	6S7-42698-40	LABEL, WARNING (FUEL) 警告标志	1	1		
11	656-W2810-02	TOOL KIT 工具套	1	1	1	

FIG. 2 CYLINDER & CRANKCASE 气缸 & 曲轴箱

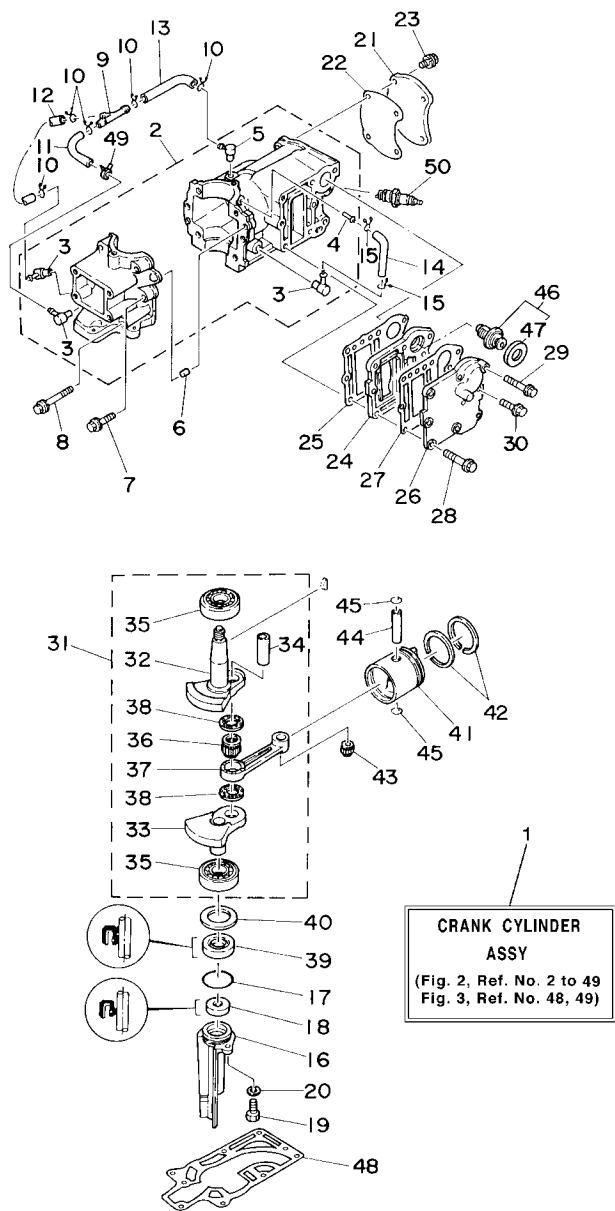


REF. NO.	PART NO. 零件号码	DESCRIPTION 零件名称	6E08	6E38	6E48	REMARKS 备注
1	6E0-W0090-04-1S	CRANK CYLINDER ASSY 气缸曲柄组合	1			
	6E3-W0090-04-1S	CRANK CYLINDER ASSY 气缸曲柄组合		1	1	
2	6E0-15100-01-1S	CRANKCASE ASSY 曲轴箱组合	1			
	6E3-15100-02-1S	CRANKCASE ASSY 曲轴箱组合		1	1	
3	650-11370-01	.CHECK VALVE ASSY .单向阀组合	3	3	3	
4	624-14485-00	.PIPE, JOINT .连接管	1	1	1	
5	6E5-11372-01	.NIPPLE, HOSE .软管接头	1	1	1	
6	93606-12019	PIN, DOWEL 定位销	2	2	2	
7	90105-06M16	BOLT, FLANGE 垫圈座面螺	4	4	4	
8	90105-06M17	BOLT, FLANGE 垫圈座面螺	2	2	2	
9	6E0-24378-00	PIPE, JOINT 3 连接管 4	1	1	1	
10	90467-06016	CLIP 钢夹	5	5	5	
11	90445-07M00	HOSE (L100) 软管	1	1	1	
12	90445-07M28	HOSE (L70) 软管	1	1	1	
13	90445-07M32	HOSE (L120) 软管	1	1	1	
14	90445-07M28	HOSE (L70) 软管	1	1	1	
15	90467-06016	CLIP 钢夹	2	2	2	
16	6E0-15396-03-5B	HOUSING, OIL SEAL 油封壳	1	1	1	
17	93210-31MJ5	O-RING O 型环	1	1	1	
18	93101-10M25	OIL SEAL 油封	1	1	1	
19	97095-06016	BOLT 螺栓	1	1	1	
20	92995-06600	WASHER 垫圈	1	1	1	
21	6E0-11191-01-1S	COVER, CYLINDER HEAD 1 气缸盖罩 1	1			
	6E3-11191-01-1S	COVER, CYLINDER HEAD 1 气缸盖罩 1		1	1	
22	6E0-11193-A1	GASKET, HEAD COVER 1 气缸盖罩衬垫 1	1			
	6E3-11193-A1	GASKET, HEAD COVER 1 气缸盖罩衬垫 1		1	1	
23	90105-06039	BOLT, FLANGE 垫圈座面螺	4	4	4	



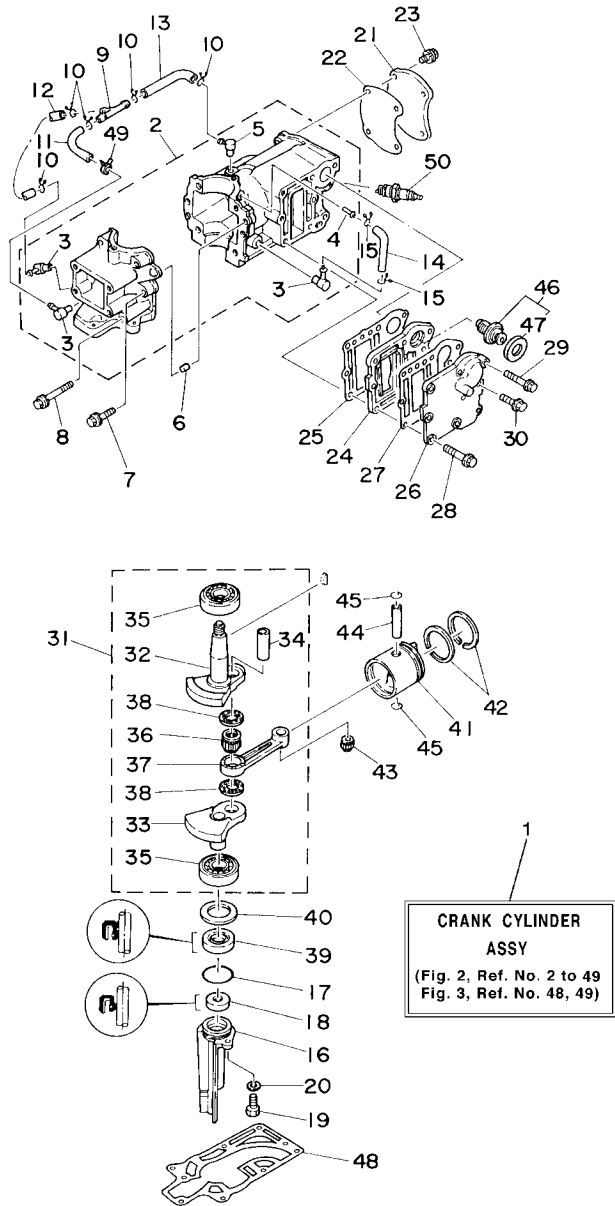
6E06700-F020

FIG. 2 CYLINDER & CRANKCASE 气缸 & 曲轴箱



REF. NO.	PART NO. 零件号码	DESCRIPTION 零件名称	6E08	6E38	6E48	REMARKS 备注
24	6E0-41111-01-1S	INNER COVER, EXHAUST 排气管内盖	1			
	6E3-41111-01-1S	INNER COVER, EXHAUST 排气管内盖		1	1	
25	6E0-41112-A1	GASKET, EXHAUST INNER COVER 排气管内盖衬垫	1			
	6E3-41112-A1	GASKET, EXHAUST INNER COVER 排气管内盖衬垫		1	1	
26	6E0-41113-01-1S	OUTER COVER, EXHAUST 排气管外盖	1			
	6E3-41113-01-1S	OUTER COVER, EXHAUST 排气管外盖		1	1	
27	6E0-41114-A1	GASKET, EXHAUST OUTER COVER 排气管外盖衬垫	1			
	6E3-41114-A1	GASKET, EXHAUST OUTER COVER 排气管外盖衬垫		1	1	
28	90105-06037	BOLT, FLANGE 垫圈座面螺	7			
	90105-06037	BOLT, FLANGE 垫圈座面螺		8	8	
29	90105-06035	BOLT, FLANGE 垫圈座面螺	1			
30	90105-06039	BOLT, FLANGE 垫圈座面螺	1	1	1	
31	6E0-11400-00	CRANKSHAFT ASSY 曲轴组合	1			
	6E3-11400-00	CRANKSHAFT ASSY 曲轴组合		1	1	
32	6E0-11412-00	.CRANK 1 .曲柄 1	1			
	6E3-11412-00	.CRANK 1 .曲柄 1		1	1	
33	6E0-11422-00	.CRANK 2 .曲柄 2	1			
	6E3-11422-00	.CRANK 2 .曲柄 2		1	1	
34	6G1-11681-00	.PIN, CRANK 1 .曲柄销 1	1	1	1	
35	93306-204U0	.BEARING .轴承	2	2	2	
36	93310-418V1	.BEARING .轴承	1	1	1	
37	6E0-11651-01	.ROD, CONNECTING .连杆	1	1	1	
38	90209-18112	.WASHER .垫	2	2	2	
39	93101-20M29	OIL SEAL 油封	1	1	1	
40	90201-32M48	WASHER, PLATE 面板垫	1	1	1	
41	6E0-11631-00-98	PISTON (STD) 活塞 (STD)	1			
	6E3-11631-00-98	PISTON (STD) 活塞 (STD)		1	1	

FIG. 2 CYLINDER & CRANKCASE 气缸 & 曲轴箱



REF. NO.	PART NO. 零件号码	DESCRIPTION 零件名称	6E08	6E38	6E48	REMARKS 备注
42	6G1-11610-00	PISTON RING SET (STD) 活塞环套	1			
	6J1-11610-00	PISTON RING SET (STD) 活塞环套		1	1	
43	93310-112V0	BEARING 轴承	1	1	1	
44	6G1-11633-00	PIN, PISTON 活塞销	1	1	1	
45	93450-13022	CIRCLIP 开口簧环, 卡环	2	2	2	
46	6E5-12411-02	THERMOSTAT 温控器	1			FOR CAR,CAR(CE) CAR, CAR (CE) 车用
47	6E5-12412-00	.SEAL, THERMOSTAT 温控器密封	1			
48	6E0-45113-A1	GASKET, UPPER CASING 水上装置壳体衬垫	1	1	1	
49	90468-07M02	CLIP 钢夹	1	1	1	
50	94702-00040	PLUG, SPARK (NGK B7HS) 火花塞 (NGK DPR6EB)	1	1	1	
	94702-00272	PLUG, SPARK (NGK BR7HS) 火花塞 (NGK DPR6EB)	1	1	1	FOR CHN,CAR(CE) CHN, CAR (CE) 车用



6E06700-F020

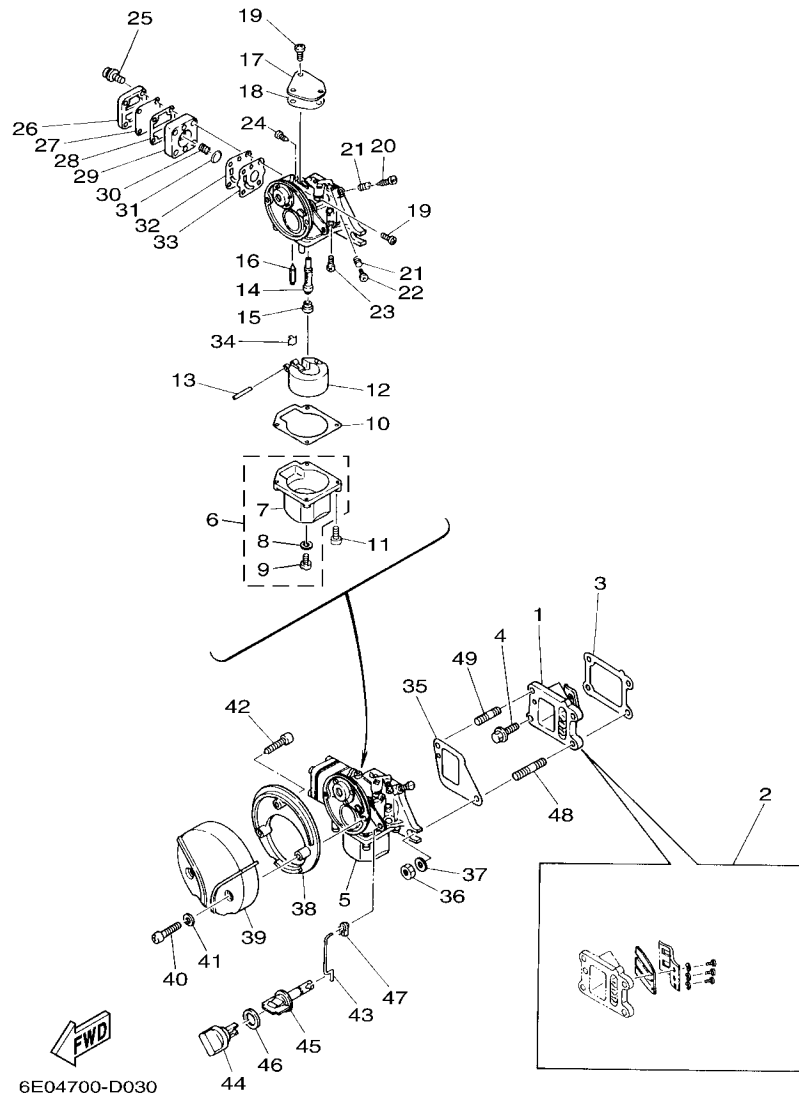


FIG. 3 INTAKE

进气门

REF. NO.	PART NO. 零件号码	DESCRIPTION 零件名称	6E08	6E38	6E48	REMARKS 备注
1	6J1-13610-00	REED VALVE ASSY 簧片阀组合	1	1	1	
	6E0-13610-00	REED VALVE ASSY 簧片阀组合	1			FOR CAR,CAR(CE) CAR, CAR (CE) 车用
2	6J1-W0004-00	.REED SET .簧片套	1	1	1	FOR 6J1-13610-00
	6E0-W0004-00	.REED SET .簧片套	1			FOR 6E0-13610-00
3	6E0-13621-A2	GASKET, VALVE SEAT 阀座衬垫	1	1	1	
4	95895-06016	BOLT, FLANGE 凸缘螺栓	2	2	2	
5	6E0-14301-05	CARBURETOR ASSY 1 化油器总成 1	1			
	6E3-14301-05	CARBURETOR ASSY 1 化油器总成 1		1	1	
6	6E0-14180-00	.FLOAT CHAMBER ASSY .浮子室组合	1	1	1	
7	6E0-14381-02	.BODY, FLOAT CHAMBER .浮子室本	1	1	1	
8	646-14198-01	.GASKET .衬垫	1	1	1	
9	97890-05006	.SCREW, PAN HEAD .大柱头螺钉	1	1	1	
10	6E0-14384-00	.GASKET, FLOAT CHAMBER .浮子室衬垫	1	1	1	
11	97980-04116	.SCREW, WITH WASHER .带垫圈螺钉	4	4	4	
12	6E7-14385-01	.FLOAT .浮子	1	1	1	
13	647-14386-00	.PIN, FLOAT .浮子销	1	1	1	
14	6E0-14341-01	.NOZZLE, MAIN .主喷管	1			
	6E3-14341-02	.NOZZLE, MAIN .主喷管		1	1	
15	648-14343-40	.JET, MAIN (# 80) .主量孔 (# 80)	1	1	1	
16	6F5-14392-00	.VALVE, NEEDLE .针阀	1	1	1	
17	6E0-14157-00	.COVER, PLATE .混合器盖	1	1	1	
18	6E0-14227-00	.GASKET .垫	1	1	1	
19	97890-04007	.SCREW, PAN HEAD .大柱头螺钉	4	4	4	
20	647-14323-00	.SCREW, AIR ADJUSTING .空气调整螺钉	1	1	1	
21	646-14212-01	.SPRING, PILOT ADJUSTING .混合气调整弹簧	2	2	2	
22	664-14321-01	.SCREW, THROTTLE .节气门螺钉	1	1	1	
23	648-14342-23	.JET, PILOT (# 46) .低速量孔 (# 46)	1			

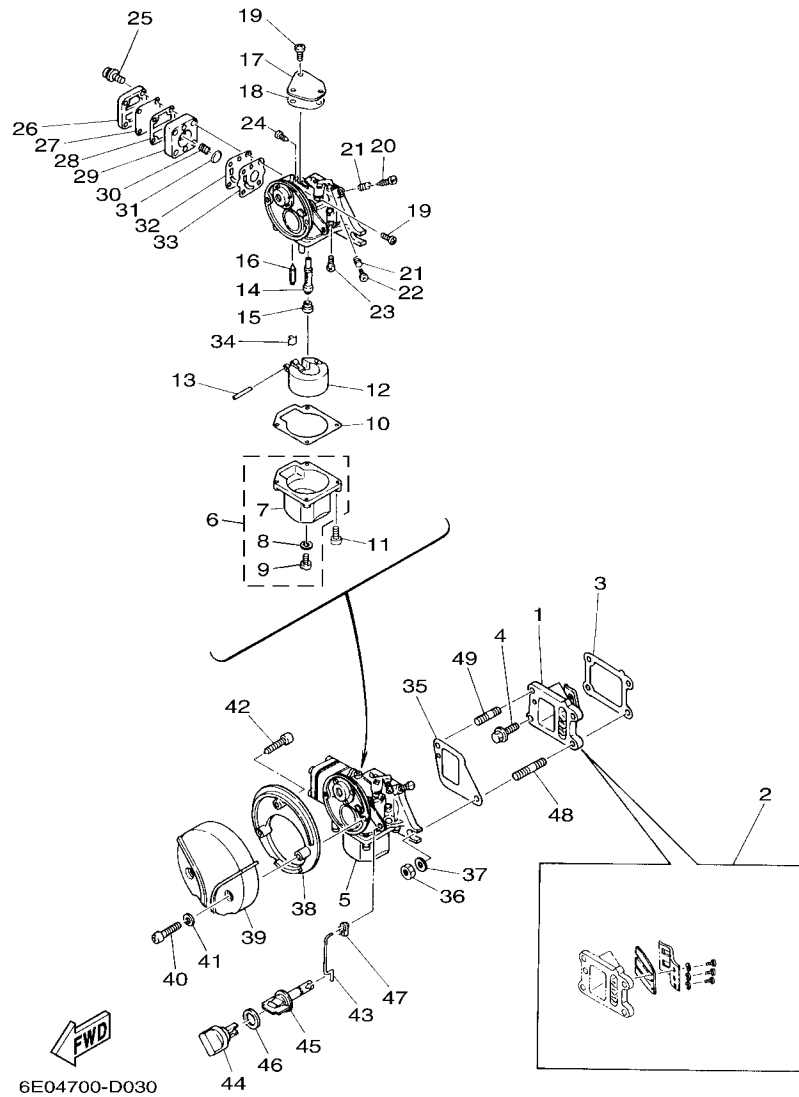


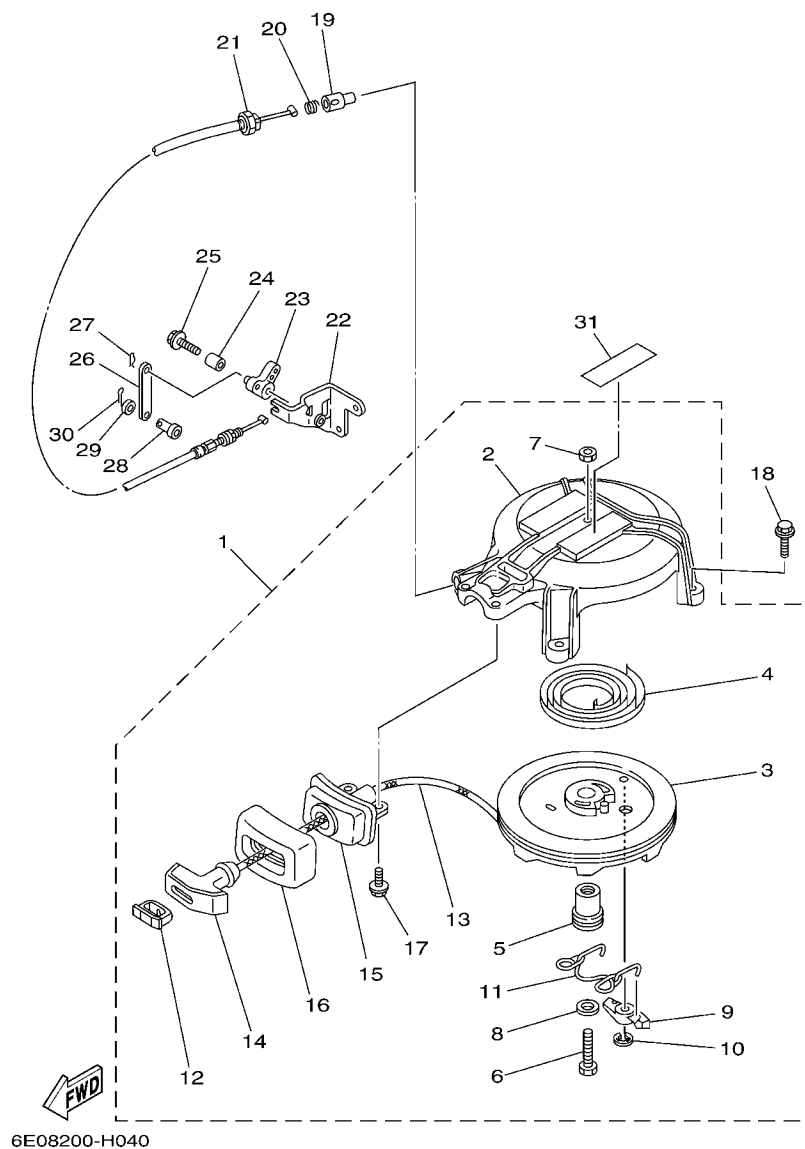
FIG. 3 INTAKE

进气门

REF. NO.	PART NO. 零件号码	DESCRIPTION 零件名称	6E08	6E38	6E48	REMARKS 备注
23	648-14342-26	.JET, PILOT (# 52) .低速量孔 (# 52)		1	1	
24	647-14326-00	.SCREW, GUIDE .导管螺钉	1	1	1	
25	97980-04120	.SCREW, WITH WASHER .带垫圈螺钉	4	4	4	
26	6E0-24413-00	.COVER .本体 2	1	1	1	
27	6E0-24471-00	.DIAPHRAGM .隔膜	1	1	1	
28	6E0-24435-00	.GASKET, BODY 2 .本体衬垫 2	1	1	1	
29	6E0-24412-00	.BODY 1 .本体 1	1	1	1	
30	6E0-24423-00	.SPRING, DIAPHRAGM .隔膜弹	1	1	1	
31	6E0-14346-00	.PLATE .面板	1	1	1	
32	6E0-24411-00	.DIAPHRAGM .隔膜, 隔板	1	1	1	
33	6E0-24434-00	.GASKET, BODY .本体衬垫	1	1	1	
34	6E0-14159-00	.CLIP .钢夹	1	1	1	
35	6E0-14198-A0	GASKET 衬垫	1	1	1	
36	95380-06700	NUT 螺母	2	2	2	
37	92995-06600	WASHER 垫圈	2	2	2	
38	6E0-14417-00	COVER 1 盖 1	1	1	1	
39	6E0-14418-00	COVER 2 盖 2	1	1	1	
40	97880-05025	SCREW, PAN HEAD 大柱头螺钉	2	2	2	
41	92990-05600	WASHER, PLATE 面板垫圈	2	2	2	
42	97780-40720	SCREW, TAPPING 自攻螺钉	1	1	1	
43	6E0-41256-00	ROD, CHOKE 1 阻风门杆 1	1	1	1	
44	6E0-41271-00	KNOB, CHOKE 阻风门旋钮	1	1	1	
45	6E0-41272-00	KNOB, CHOKE 阻风门旋钮	1	1	1	
46	90202-12M16	WASHER, PLATE 面板垫	1	1	1	
47	661-41262-02	JOINT, CHOKE LEVER 阻风门杠杆接头	1	1	1	
48	95627-06325	BOLT, STUD 双头螺	1	1	1	
49	90116-06M08	BOLT, STUD 双头螺	1	1	1	

FIG. 4 STARTER

起动机



6E08200-H040

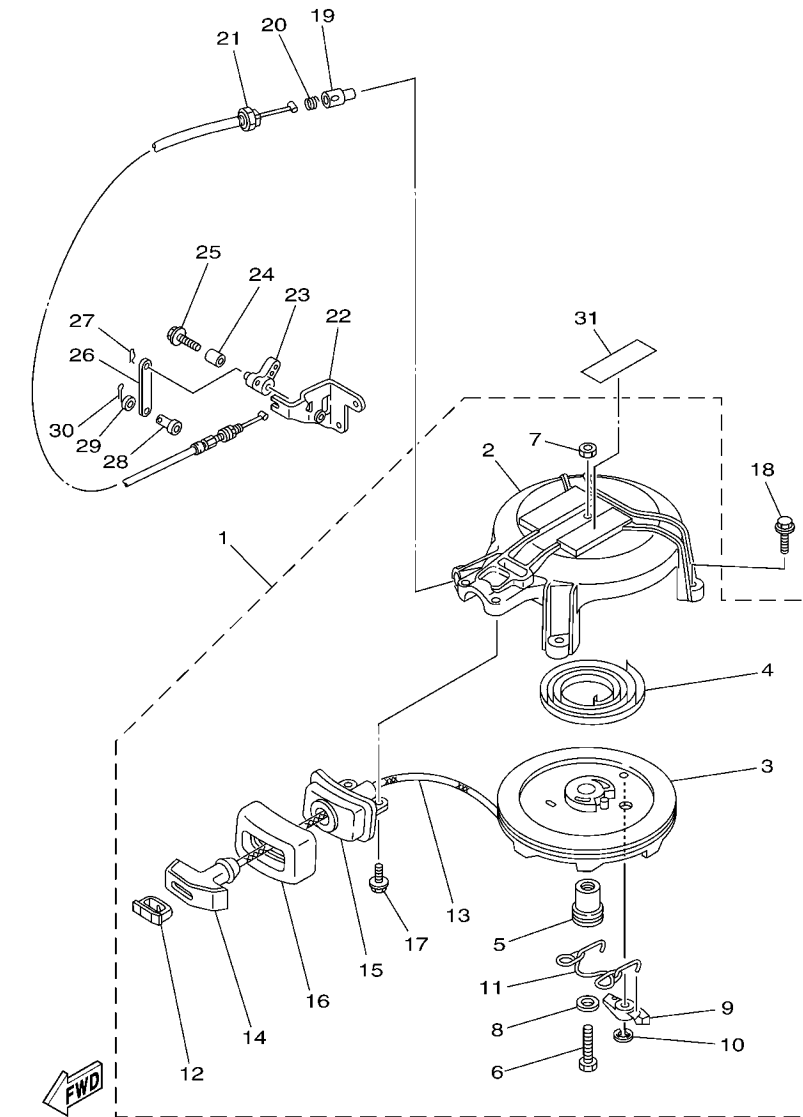
*1: CUT FROM 50M ROLLS, PART NO. 90890-44372, CUTTING LENGTH 1.85M

*1: CORTE DE UN RODILLO DE 50M, PARTS NUMERO 90890-44372, LARGO DEL CORTE 1.85M

REF. NO.	PART NO. 零件号码	DESCRIPTION 零件名称	6E08	6E38	6E48	REMARKS 备注
1	6E0-15710-73-94	STARTER ASSY 起动机组合	1			FOR SAFETY DEVICE SAFETY DEVICE 车用
	6E4-15710-74-94	STARTER ASSY 起动机组合		1	1	FOR SAFETY DEVICE SAFETY DEVICE 车用
2	6E4-15711-72-94	.CASE, STARTER 起动机箱	1	1	1	
3	6E0-15714-01	.DRUM, SHEAVE 拉索卷	1	1	1	
4	90510-08M03	.SPRING, SPIRAL 螺旋弹簧	1	1	1	
5	6E0-15717-00	.SHAFT, STARTER 起动机轴	1	1	1	
6	97313-06035	.BOLT 螺	1	1	1	
7	95303-06600	.NUT 螺母	1	1	1	
8	90201-06M30	.WASHER, PLATE 面板垫	1	1	1	
9	677-15741-01	.PAWL, DRIVE 驱动	1	1	1	
10	93430-06M02	.CIRCLIP 开口簧环, 卡环	1	1	1	
11	6E0-15705-00	.SPRING, DRIVE PAWL 驱动爪弹簧	1	1	1	
12	6G1-15779-00	.COVER 盖	1	1	1	
13	*	.WIRE (L1850) 钢丝, 电线	1	1	1	*1 *1
14	6G1-15755-00	.HANDLE, STARTER 起动手	1	1	1	
15	6E0-15758-01	.GUIDE, ROPE 导向绳索	1			
	6E3-15758-01	.GUIDE, ROPE 导向绳索		1	1	
16	6E0-15761-00	.SEAL, RUBBER 1 橡皮密封圈 1	1	1	1	
17	90105-06M14	.BOLT FLANGE 垫圈座面螺	2	2	2	
18	95895-06020	BOLT, FLANGE 凸缘螺栓	3	3	3	
19	656-15748-00	PLUNGER, STARTER STOP 起动机止动柱	1	1	1	FOR SAFETY DEVICE SAFETY DEVICE 车用
20	90501-10227	SPRING, COMPRESSION 压缩弹簧	1	1	1	FOR SAFETY DEVICE SAFETY DEVICE 车用
21	6E4-15770-70	CABLE COMP., STARTER STOP 起动机止动钢索组	1	1	1	FOR SAFETY DEVICE SAFETY DEVICE 车用
22	6E0-15772-71	STAY 2 支承 2	1			FOR SAFETY DEVICE SAFETY DEVICE 车用
	6E4-15772-71	STAY 2 支承 2		1	1	FOR SAFETY DEVICE SAFETY DEVICE 车用
23	6E4-15746-70	ARM 臂	1	1	1	FOR SAFETY DEVICE SAFETY DEVICE 车用
24	90387-06504	COLLAR 安装	1	1	1	FOR SAFETY DEVICE SAFETY DEVICE 车用

FIG. 4 STARTER

起动机



6E08200-H040

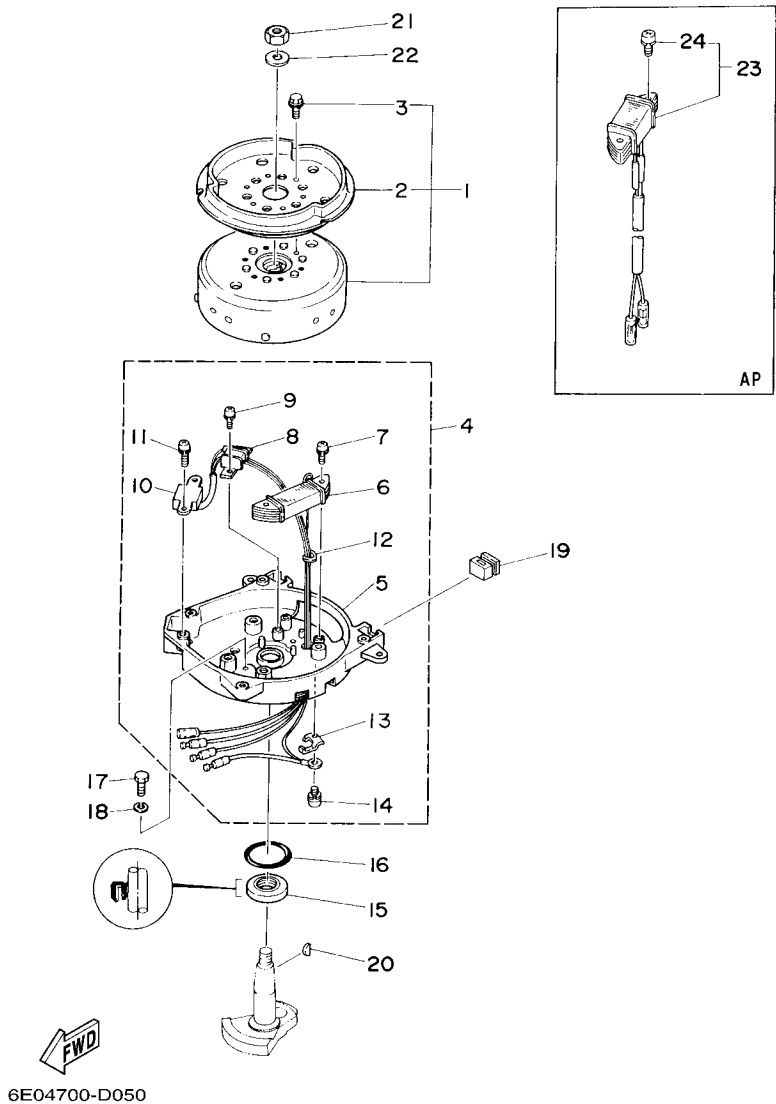
*1: CUT FROM 50M ROLLS, PART NO. 90890-44372, CUTTING LENGTH 1.85M

*1: CORTE DE UN RODILLO DE 50M, PARTS NUMERO 90890-44372, LARGO DEL CORTE 1.85M

REF. NO.	PART NO. 零件号码	DESCRIPTION 零件名称	6E08	6E38	6E48	REMARKS 备注
25	90119-06M18	BOLT, WITH WASHER 带垫螺	1	1	1	FOR SAFETY DEVICE SAFETY DEVICE 车用
26	6E4-15747-70	LINK 连杆	1	1	1	FOR SAFETY DEVICE SAFETY DEVICE 车用
27	90468-10005	CLIP 钢夹	1	1	1	FOR SAFETY DEVICE SAFETY DEVICE 车用
28	91790-05010	PIN, CLEVIS 叉杆销, U形夹销	1	1	1	FOR SAFETY DEVICE SAFETY DEVICE 车用
29	90202-05088	WASHER, PLATE 面板垫	1	1	1	FOR SAFETY DEVICE SAFETY DEVICE 车用
30	91490-16010	PIN, COTTER 开口销	1	1	1	FOR SAFETY DEVICE SAFETY DEVICE 车用
31	6AH-81995-40	LABEL, WARNING 警告标志	1	1	1	

FIG. 5 GENERATOR

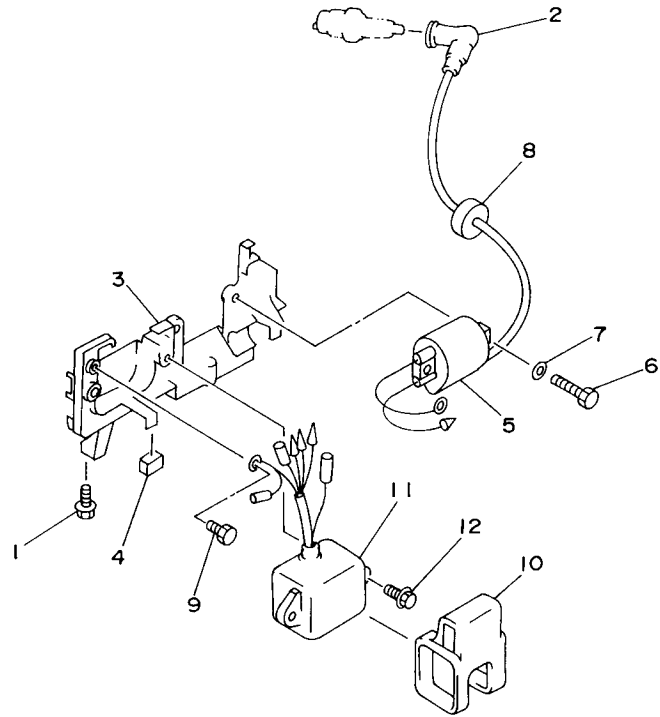
发电机



REF. NO.	PART NO. 零件号码	DESCRIPTION 零件名称	6E08	6E38	6E48	REMARKS 备注
1	6E0-85550-72	ROTOR ASSY 转子组合	1	1	1	
2	6E0-15723-00-94	.PULLEY, STARTER . 起动机滑	1	1	1	
3	90105-06M14	.BOLT FLANGE . 垫圈座面螺	3	3	3	
4	6E0-85560-71	BASE ASSY 底座组合	1	1	1	
5	6E0-15359-01-94	.HOUSING, OIL SEAL . 油封壳	1	1	1	
6	6E0-85520-70	.COIL, CHARGE . 充电线	1	1	1	
7	90159-05038	.SCREW, WITH WASHER . 带垫螺钉	2	2	2	
8	6E0-85595-70	.COIL, PULSER . 脉冲线	1	1	1	
9	90159-04036	.SCREW, WITH WASHER . 带垫螺钉	2	2	2	
10	6E0-85592-70	.PULSER COIL ASSY . 脉冲线圈组合	1	1	1	
11	90159-05037	.SCREW, WITH WASHER . 带垫螺钉	2	2	2	
12	6E0-81336-70	.GROMMET . 固定	1	1	1	
13	6E0-81328-70	.CLAMP . 夹箍	1	1	1	
14	90159-04035	.SCREW, WITH WASHER . 带垫螺钉	1	1	1	
15	93102-20M25	OIL SEAL 油封	1	1	1	
16	93210-42159	O-RING O 型环	1	1	1	
17	97095-06016	BOLT 螺栓	2	2	2	
18	92995-06100	WASHER, SPRING 弹性垫圈	2	2	2	
19	6E0-24183-00	DAMPER, LOCATING 3 定位减震器 3	2	2	2	
20	90280-04M06	KEY, WOODRUFF 半圆	1	1	1	
21	90170-10113	NUT 螺母	1	1	1	
22	90201-10126	WASHER, PLATE 面板垫	1	1	1	
23	6E0-81303-40	LIGHTING COIL ASSY 照明线圈组合	1	1	1	AP 40W
	6E0-81303-80	LIGHTING COIL ASSY 照明线圈组合	1	1	1	AP 60W
24	90159-05040	.SCREW, WITH WASHER . 带垫螺钉	2	2	2	AP

FIG. 6 ELECTRICAL

电球



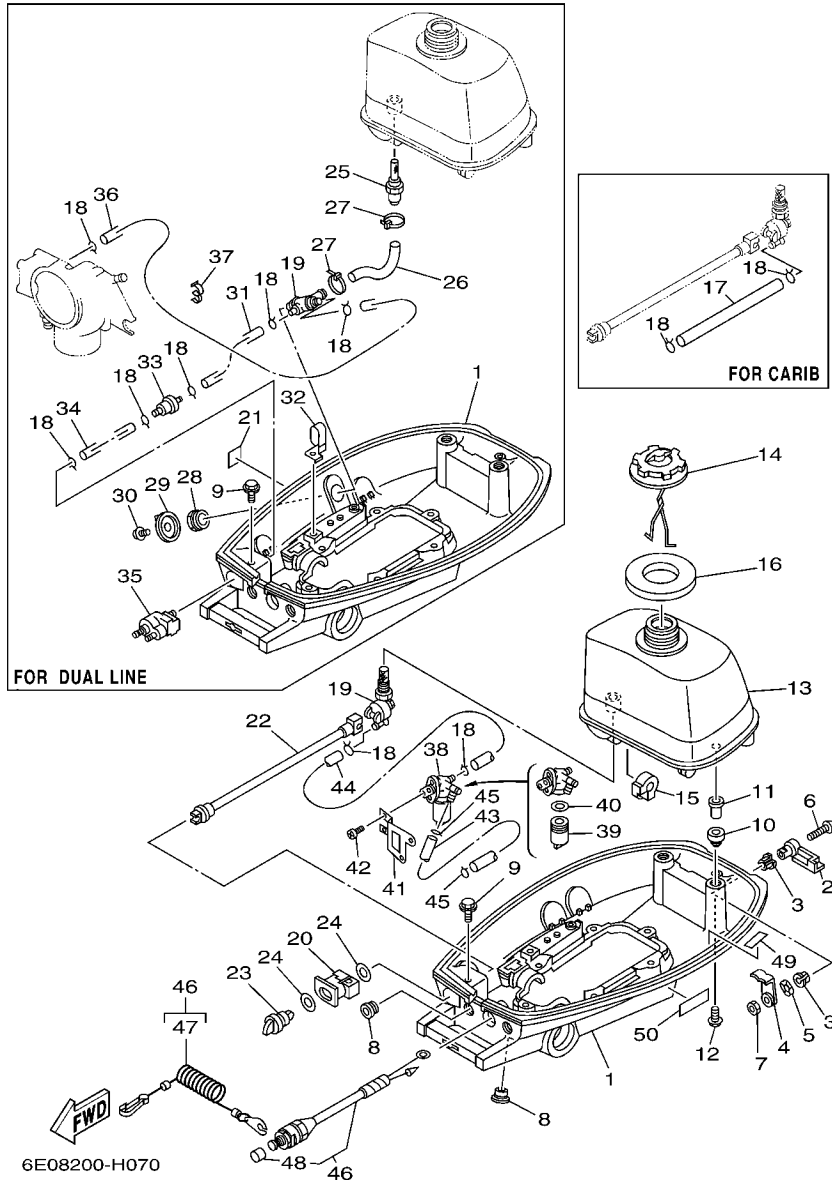
REF. NO.	PART NO. 零件号码	DESCRIPTION 零件名称	6E08	6E38	6E48	REMARKS 备注
1	95895-06016	BOLT, FLANGE 凸缘螺栓	2	2	2	
2	663-82370-01	PLUG CAP ASSY 塞帽组合	1	1	1	
	6G1-82370-21	PLUG CAP ASSY 塞帽组合	1			FOR CAR(CE) CAR (CE) 车用
	6E3-82370-21	PLUG CAP ASSY 塞帽组合			1	FOR CAR(CE) CAR (CE) 车用
3	6E0-82316-01-94	BRACKET, IGNITION COIL 点火线圈托架	1	1	1	
4	6E0-82317-00	DAMPER, IGNITION COIL 点火线圈减震器	2	2	2	
5	6E0-85570-00	IGNITION COIL ASSY 点火线圈组合	1	1	1	
6	97095-06016	BOLT 螺栓	2	2	2	
7	92995-06600	WASHER 垫圈	2	2	2	
8	90480-25161	GROMMET 固定	1	1	1	
9	97080-06010	BOLT 螺	1	1	1	
10	6E0-85548-00	HOLDER 支架	1	1	1	
11	6E0-85540-71	C.D.I. UNIT ASSY 电子点火器总成	1	1	1	
12	95895-06020	BOLT, FLANGE 凸缘螺栓	2	2	2	



6E00010-6060

FIG. 7 BOTTOM COWLING 1

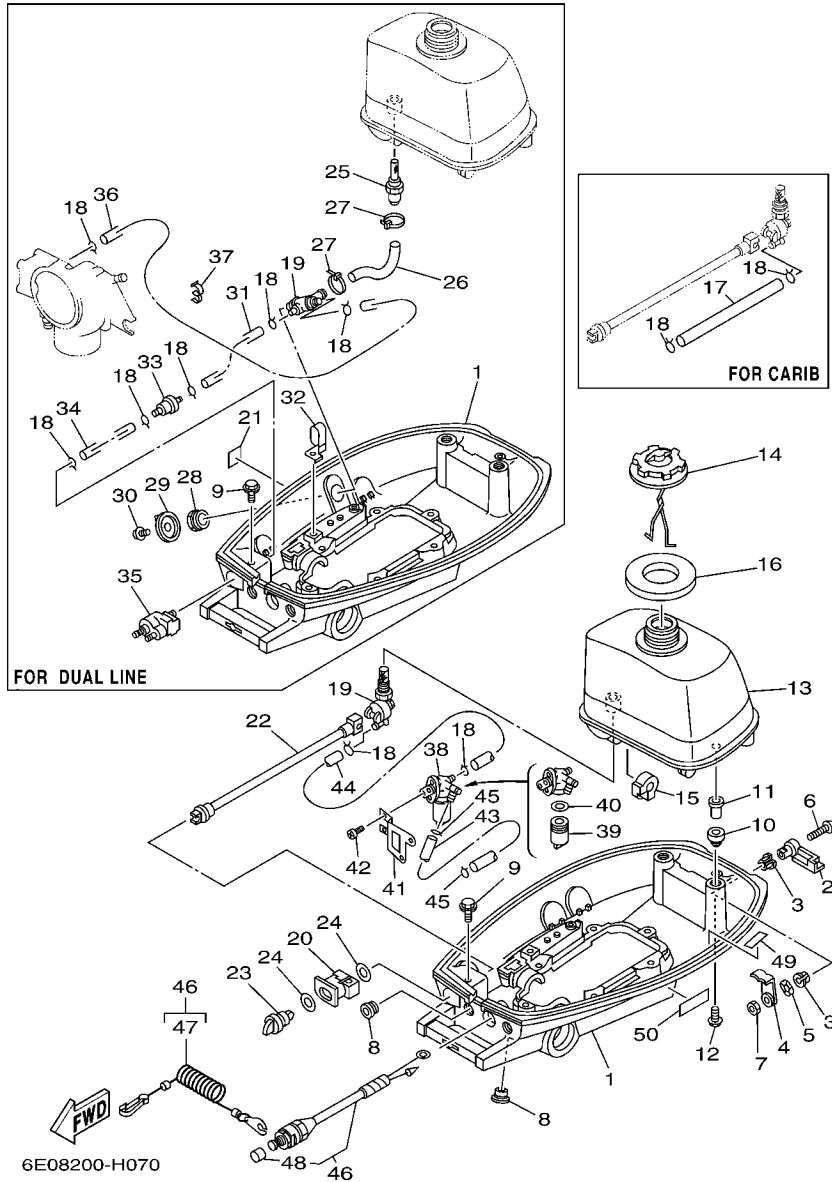
底罩 1



REF. NO.	PART NO. 零件号码	DESCRIPTION 零件名称	6E08	6E38	6E48	REMARKS 备注
1	6E0-42711-05-4D	COWLING, BOTTOM 1 底罩	1	1		
	6E0-42711-10-4D	COWLING, BOTTOM 1 底罩	1			FOR DUAL LINE DUAL LINE 车用
2	6E0-42815-00-4D	LEVER, CLAMP 夹杆	1	1		
3	90386-12069	BUSH 衬套	2	2		
4	6E0-42816-00	LEVER, CLAMP 夹杆	1	1		
5	90206-12052	WASHER, WAVE 波形垫	1	1		
6	97885-06030	SCREW, PAN HEAD 大柱头螺钉	1	1		
7	95380-06700	NUT 螺母	1	1		
8	90480-14M14	GROMMET 固定	2	2		
9	95895-06020	BOLT, FLANGE 凸缘螺栓	1	1		
10	6E0-24182-00	DAMPER, LOCATING 2 定位减震器 2	2			
	6E3-24182-00	DAMPER, LOCATING 2 定位减震器 2		2		
11	6E0-42542-00	PIPE 管	2	2		
12	95895-06025	BOLT, FLANGE 凸缘螺栓	2	2		
13	6E0-24110-01-4D	FUEL TANK COMP. 燃油箱组	1	1		
14	6E0-24610-02	CAP ASSY 盖组合	1	1		
15	6E0-24181-00	DAMPER, LOCATING 1 定位减震器 1	2	2		
16	6E0-24641-00	GASKET, CAP 1 盖衬垫 1	1			
	6E3-24641-00	GASKET, CAP 1 盖衬垫 1		1		
17	90445-09M37	HOSE (L240) 软管	1			FOR CAR,CAR(CE) CAR, CAR (CE) 车用
18	90467-08004	CLIP 钢夹	2	2		EXCEPT DUAL LINE EXCEPT DUAL LINE
	90467-08004	CLIP 钢夹	6			FOR DUAL LINE DUAL LINE 车用
19	6E0-24500-01	FUEL COCK ASSY 1 燃油活栓组合 1	1	1		EXCEPT DUAL LINE EXCEPT DUAL LINE
	6E0-24500-10	FUEL COCK ASSY 1 燃油活栓组合 1	1			FOR DUAL LINE DUAL LINE 车用
20	6E0-24571-00	BUSHING 衬套	1	1		EXCEPT DUAL LINE EXCEPT DUAL LINE
21	6E0-24591-10	EMBLEM, FUEL COCK 燃油旋活栓标牌	1			FOR DUAL LINE DUAL LINE 车用
22	6E0-24572-00	SHAFT, FUEL CHANGE 加油轴	1	1		EXCEPT DUAL LINE EXCEPT DUAL LINE

FIG. 7 BOTTOM COWLING 1

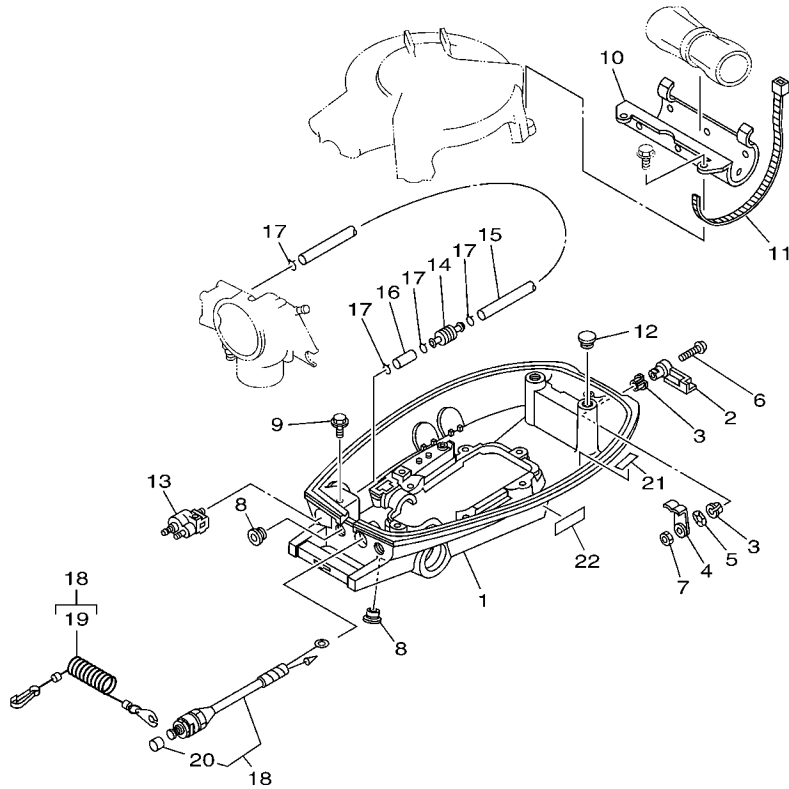
底罩 1



REF. NO.	PART NO. 零件号码	DESCRIPTION 零件名称	6E08	6E38	6E48	REMARKS 备注
23	6E0-24575-01	LEVER, FUEL CHANGE 加油杆	1	1		EXCEPT DUAL LINE
24	90202-12M17	WASHER, PLATE 面板垫	2	2		EXCEPT DUAL LINE
25	6E0-24335-00	PIPE, SUCTION 1 吸入管 1	1			FOR DUAL LINE
26	6E0-24311-00	PIPE, FUEL 1 燃油管 1	1			FOR DUAL LINE
27	90465-13M11	CLAMP 夹箍	2			FOR DUAL LINE
28	90170-16M35	NUT 螺母	1			FOR DUAL LINE
29	6J1-24524-00	LEVER, COCK 活栓杆	1			FOR DUAL LINE
30	90159-04M24	SCREW, WITH WASHER 带垫螺钉	1			FOR DUAL LINE
31	90445-09M27	HOSE (L125) 软管	1			FOR DUAL LINE
32	90465-08M62	CLAMP 夹箍	1			FOR DUAL LINE
33	646-24251-02	STRAINER 1 滤网 1	1			FOR DUAL LINE
34	90445-09057	HOSE (L45) 软管	1			FOR DUAL LINE
35	6G1-24304-02	FUEL PIPE JOINT COMP. 1 燃油管接头组件 1	1			FOR DUAL LINE
36	6E0-24312-00	PIPE 2 管 2	1			FOR DUAL LINE
37	90464-09M21	CLAMP 夹箍	1			FOR DUAL LINE
38	6E0-24500-61	FUEL COCK ASSY 1 燃油活栓组合 1	1	1		WATER SEPARATER
39	624-24521-02	.CUP, FILTER .滤杯	1	1		WATER SEPARATER
40	102-24522-01	.GASKET .衬垫	1	1		WATER SEPARATER
41	6E0-24566-61 6E3-24566-61	BRACKET, FILTER 过滤器托架	1		1	WATER SEPARATER
42	97885-04010	SCREW, PAN HEAD 大柱头螺钉	2	2		WATER SEPARATER
43	90445-09072	HOSE (L120) 软管	1	1		WATER SEPARATER
44	90445-09082	HOSE (L150) 软管	1	1		WATER SEPARATER
45	90467-08004	CLIP 钢夹	2	2		WATER SEPARATER
46	6E0-82575-00	ENGINE STOP SWITCH ASSY 发动机止动开关组合	1	1		WATER SEPARATER
47	682-82556-00	.LANYARD, STOP SWITCH .限位板减震	1	1		
48	689-8257Y-00	.CAP .盖	1	1		

FIG. 8 BOTTOM COWLING 2

底罩 2

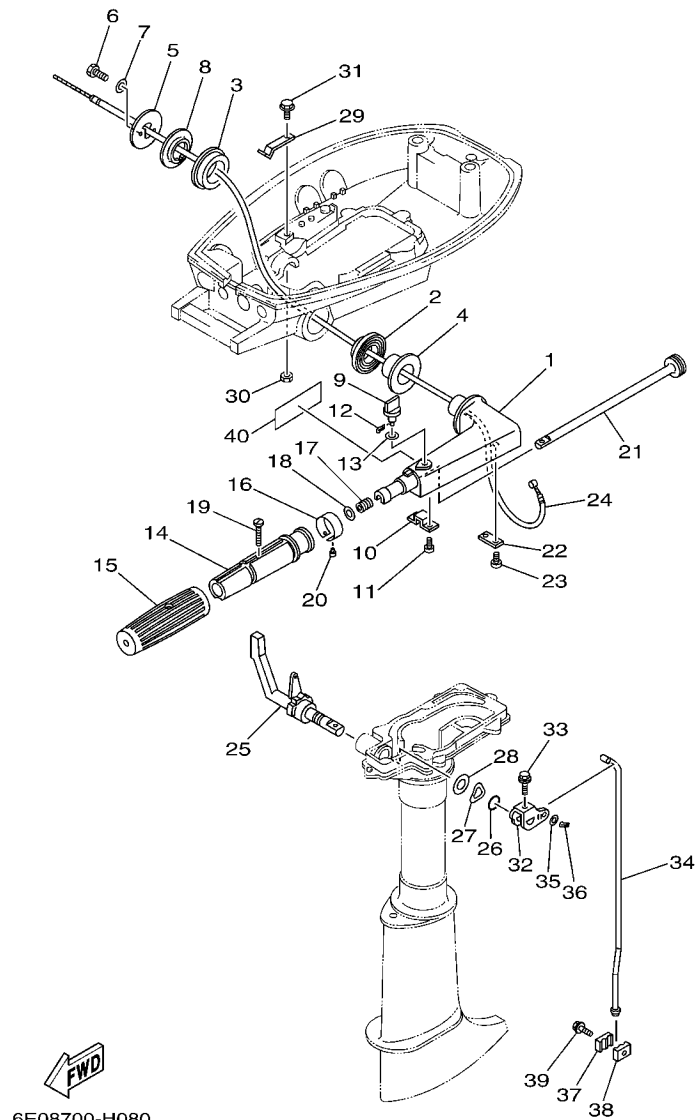


6E08200-H080

REF. NO.	PART NO. 零件号码	DESCRIPTION 零件名称	6E08	6E38	6E48	REMARKS 备注
1	6E0-42711-05-4D	COWLING, BOTTOM 1 底罩			1	
2	6E0-42815-00-4D	LEVER, CLAMP 夹杆			1	
3	90386-12069	BUSH 衬套			2	
4	6E0-42816-00	LEVER, CLAMP 夹杆			1	
5	90206-12052	WASHER, WAVE 波形垫			1	
6	97885-06030	SCREW, PAN HEAD 大柱头螺钉			1	
7	95380-06700	NUT 螺母			1	
8	90480-14M14	GROMMET 固定			2	
9	95895-06020	BOLT, FLANGE 凸缘螺栓			1	
10	6E1-42643-01	PLATE, CLAMP 夹板			1	
11	6G1-2811G-00	BAND 带			1	
12	6E1-24182-00	DAMPER, LOCATING 2 定位减震器 2			2	
13	6G1-24304-02	FUEL PIPE JOINT COMP. 1 燃油管接头组件 1			1	
14	646-24251-02	STRAINER 1 滤网 1			1	
15	688-24313-00	PIPE 3 管 3			1	
16	90445-09057	HOSE (L45) 软管			1	
17	90467-08004	CLIP 钢夹			4	
18	6E0-82575-00	ENGINE STOP SWITCH ASSY 发动机止动开关组合			1	
19	682-82556-00	.LANYARD, STOP SWITCH .限位板减震			1	
20	689-8257Y-00	.CAP .盖			1	
21	664-42791-00	MARK 1 标志, 商标 1			1	
	664-42791-10	MARK 1 标志, 商标 1			1	FOR CHN,CAR(CE)
22	6AH-81994-40	LABEL, SAFETY 警告标志			1	CHN, CAR (CE) 车用

FIG. 9 CONTROL

控制系统

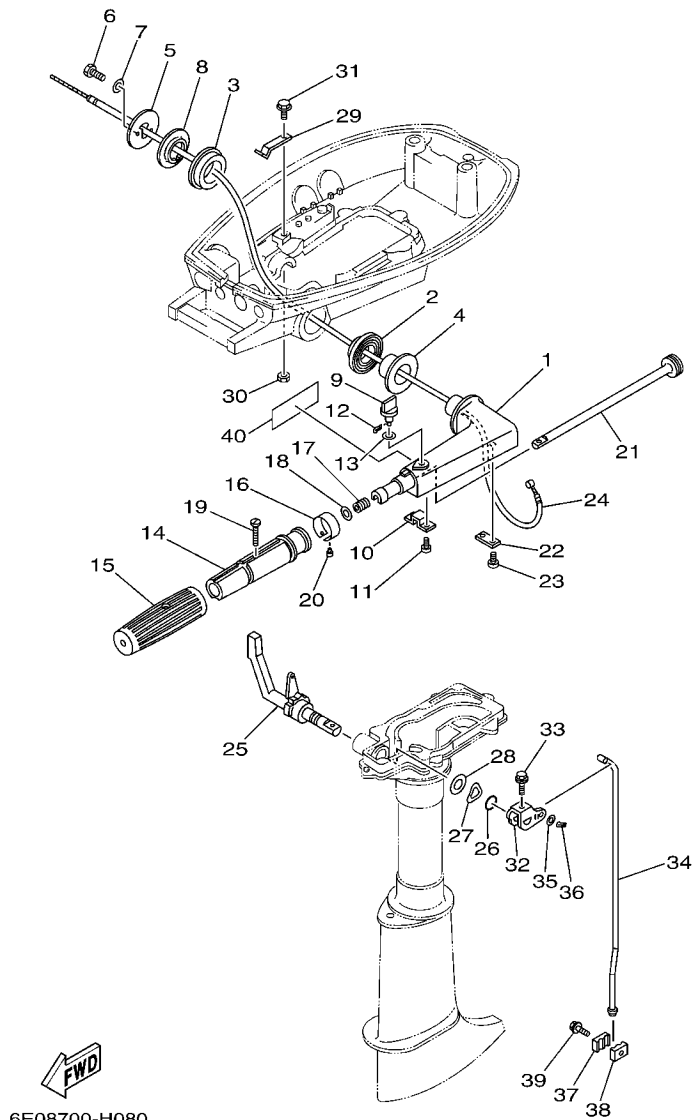


6E08700-H080

REF. NO.	PART NO. 零件号码	DESCRIPTION 零件名称	6E08	6E38	6E48	REMARKS 备注
1	6E0-42111-02-4D	HANDLE, STEERING 方向手	1	1	1	
2	6E0-42129-02	BUSHING, RUBBER 橡皮衬套	1	1	1	
3	6E4-42129-00	BUSHING, RUBBER 橡皮衬套	1	1	1	
4	90386-26M30	BUSH 衬套	1	1	1	
5	6E0-42131-02-94	COVER, HANDLE STEERING 方向手把盖	1	1	1	
6	97013-05020	BOLT 螺栓	2	2	2	
7	92903-05600	WASHER, PLATE 面板垫圈	2	2	2	
8	90386-26M33	BUSH 衬套	1	1	1	
9	6E0-42125-00	BOLT, FRICTION ADJUSTING 阻力调整螺	1	1	1	
10	6E0-42134-02	COVER, THROTTLE LEVER 油门杆盖	1	1	1	
11	97885-05012	SCREW, PAN HEAD 大柱头螺钉	2	2	2	
12	91490-12010	PIN, COTTER 开口销	1	1	1	
13	90202-07M22	WASHER, PLATE 面板垫	1	1	1	
14	6E0-42119-00	GRIP, STEERING HANDLE 方向手把握	1	1	1	
15	6E0-42177-00	RUBBER, HANDLE 手把橡皮	1	1	1	
16	6E0-42137-10	INDICATOR, THROTTLE 油门指示器	1	1	1	
17	90501-23215	SPRING, COMPRESSION 压缩弹簧	1	1	1	
18	90201-10119	WASHER, PLATE 面板垫	1	1	1	
19	90149-05M13	SCREW 螺钉	1	1	1	
20	90269-02M09	RIVET 铆钉	1	1	1	
21	6E0-42138-01	LEVER, THROTTLE 油门杆	1	1	1	
22	6E0-42159-02	STAY 支承	1	1	1	
23	97885-05012	SCREW, PAN HEAD 大柱头螺钉	2	2	2	
24	6E0-26301-01	THROTTLE CABLE ASSY 油门钢索组合	1	1	1	
25	6E4-44111-72-4D	HANDLE, GEAR SHIFT 换挡手柄	1	1	1	FOR SAFETY DEVICE SAFETY DEVICE 车用
26	93210-12327	O-RING O 型环	1	1	1	
27	90206-16M06	WASHER, WAVE 波形垫	1	1	1	

FIG. 9 CONTROL

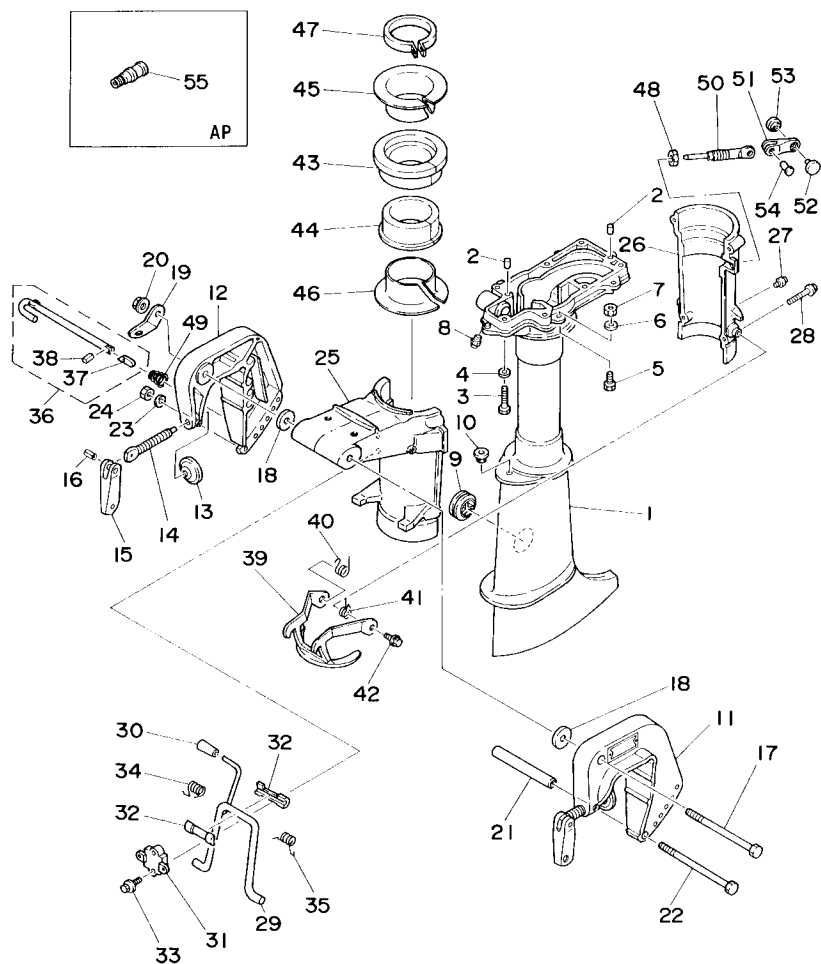
控制系统



6E08700-H080

REF. NO.	PART NO. 零件号码	DESCRIPTION 零件名称	6E08	6E38	6E48	REMARKS 备注
28	90202-16061	WASHER, PLATE 面板垫	1	1	1	
29	6E0-44116-00	SPRING 弹簧	1	1	1	
30	95380-06700	NUT 螺母	1	1	1	
31	95895-06012	BOLT, FLANGE 凸缘螺栓	1	1	1	
32	6E0-44121-00	LEVER, SHIFT ROD 换挡杆杠杆	1	1	1	
33	95895-06025	BOLT, FLANGE 凸缘螺栓	1	1	1	
34	6E0-44143-00	ROD, SHIFT 换挡连杆	1	1	1	S(17.5")
	6E0-44143-10	ROD, SHIFT 换挡连杆	1	1	1	L(22.5")
35	92990-05600	WASHER, PLATE 面板垫圈	1	1	1	
36	91490-16010	PIN, COTTER 开口销	1	1	1	
37	6E0-44145-00	CONNECTOR, SHIFT ROD 换挡连杆接头	1	1	1	
38	6E0-44146-00	CONNECTOR, SHIFT ROD 换挡连杆接头	1	1	1	
39	95895-06020	BOLT, FLANGE 凸缘螺栓	1	1	1	
40	6AH-42794-40	LABEL, WARNING (GENERAL) 警告标志	1	1	1	

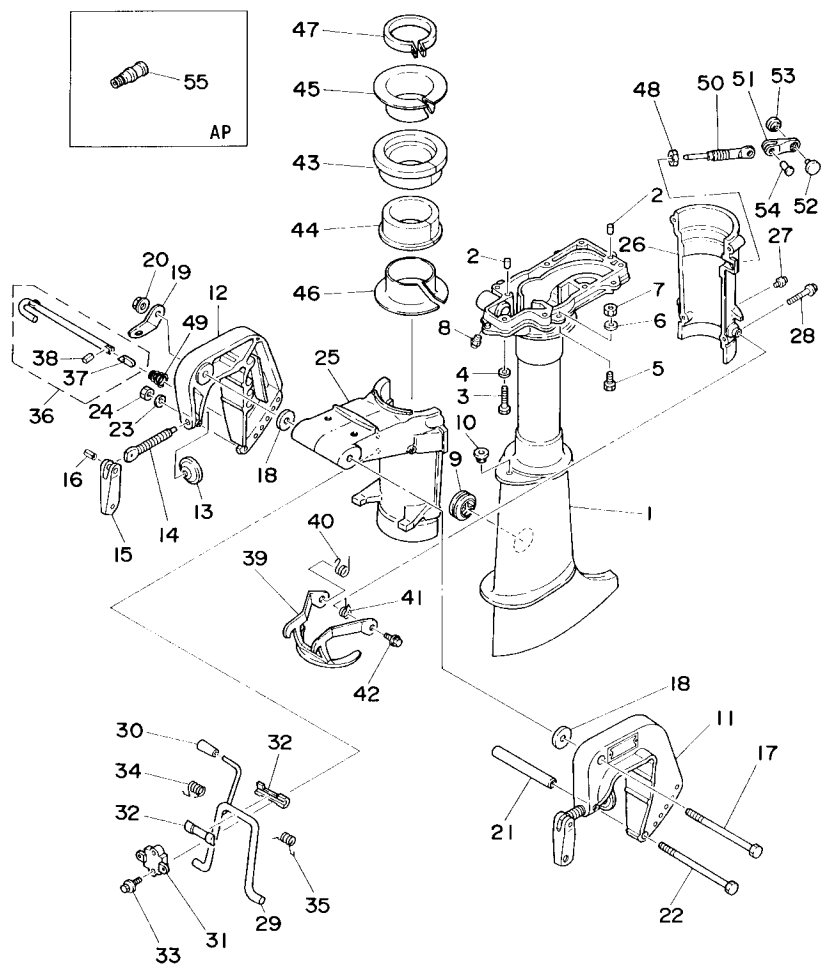
FIG. 10 UPPER CASING & BRACKET 水上装置壳体 & 托架



6E00010-4090

REF. NO.	PART NO. 零件号码	DESCRIPTION 零件名称	6E08	6E38	6E48	REMARKS 备注
1	6E0-45111-02-4D	CASING, UPPER 水上装置壳	1	1	1	S(17.5")
	6E0-45111-12-4D	CASING, UPPER 水上装置壳	1	1	1	L(22.5")
2	93606-12019	PIN, DOWEL 定位销	2	2	2	
3	97095-06030	BOLT 螺栓	7	7	7	
4	92995-06600	WASHER 垫圈	7	7	7	
5	97095-06016	BOLT 螺栓	4	4	4	
6	92995-06600	WASHER 垫圈	4	4	4	
7	95380-06700	NUT 螺母	4	4	4	
8	93700-06M03	NIPPLE, GREASE 润滑油喷嘴	1	1	1	
9	647-45151-01	COVER, UPPER CASING 水上装置壳体盖	1	1	1	
10	90480-10M13	GROMMET 固定	1	1	1	
11	6E0-43111-02-4D	BRACKET, CLAMP 1 夹紧托架	1	1	1	
12	6E0-43112-01-4D	BRACKET, CLAMP 2 夹紧托架	1	1	1	
13	620-43114-00	PAD, TRANSOM CLAMP 舰板夹紧衬垫	2	2	2	
14	6E0-43116-01	SCREW, TRANSOM CLAMP 舰板夹紧螺钉	2	2	2	
15	6E0-43118-01	HANDLE, TRANSOM CLAMP 舰板夹紧手柄	2	2	2	
16	90243-04M01	PIN 销	2	2	2	
17	90101-08M07	BOLT 螺	1	1	1	
18	90201-08M03	WASHER, PLATE 面板垫	2	2	2	
19	6A1-43113-01	PLATE, CLAMP BRACKET 夹紧托架面板	1	1	1	
20	90185-08057	NUT, SELF-LOCKING 自锁螺母	1	1	1	
21	90387-06M11	COLLAR 安装	1	1	1	
22	90101-06335	BOLT 螺	1	1	1	
23	92990-06600	WASHER, PLATE 面板垫圈	1	1	1	
24	95380-06600	NUT, HEXAGON 螺母	1	1	1	
25	6E0-43311-04-4D	BRACKET, SWIVEL 1 旋转支架	1	1	1	
26	6E0-43312-02-4D	BRACKET, SWIVEL 2 旋转支架	1	1	1	

FIG. 10 UPPER CASING & BRACKET 水上装置壳体 & 托架

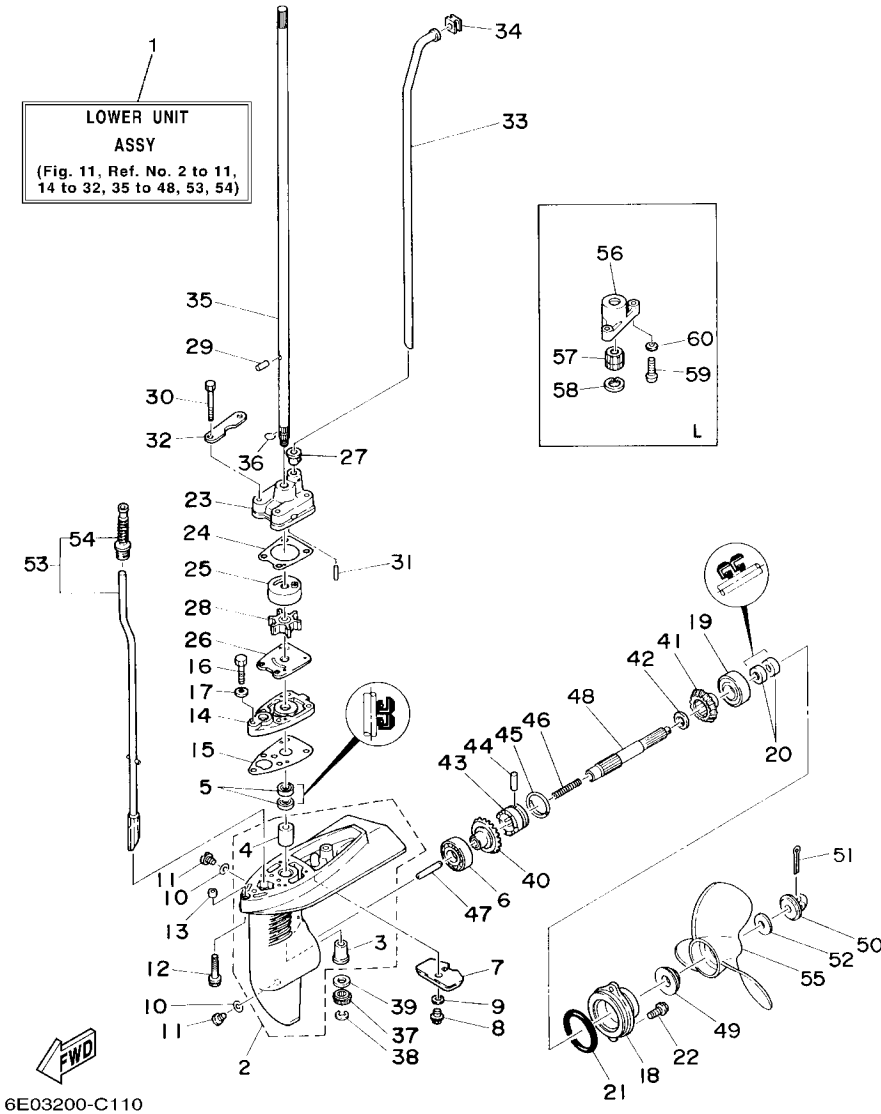


6E00010-4090

REF. NO.	PART NO. 零件号码	DESCRIPTION 零件名称	6E08	6E38	6E48	REMARKS 备注
27	93700-06M03	NIPPLE, GREASE 润滑油喷嘴	1	1	1	
28	95895-06035	BOLT, FLANGE 凸缘螺栓	4	4	4	
29	6E0-43181-00	LEVER, TILT STOP 顶位销杆	1	1	1	
30	6E0-43632-00	KNOB, TILT 角度定位旋钮	1	1	1	
31	6E0-43313-00-94	BRACKET, SWIVEL 3 旋转支架	1	1	1	
32	620-43189-00	BUSHING 衬套	2	2	2	
33	95895-06020	BOLT, FLANGE 凸缘螺栓	2	2	2	
34	90508-16020	SPRING, TORSION 扭力弹簧	1	1	1	
35	90508-16021	SPRING, TORSION 扭力弹簧	1	1	1	
36	6E0-43160-01	TILT ROD ASSY 角度定位杆组合	1	1	1	
37	689-43165-00	.PLATE, TILT LOCK .角度定位锁紧面板	1	1	1	
38	91690-30008	.PIN, SPRING .弹簧销	1	1	1	
39	6E0-43614-00-5B	PLATE, TILT LOCK 角度定位锁紧面板	1	1	1	
40	90508-14M10	SPRING, TORSION 扭力弹簧	1	1	1	
41	90508-14M11	SPRING, TORSION 扭力弹簧	1	1	1	
42	95895-06010	BOLT, FLANGE 凸缘螺栓	2	2	2	
43	6E0-42537-02	BUSHING, PIVOT SHAFT 枢轴衬套	1	1	1	
44	6E0-42538-02	BUSHING, PIVOT SHAFT 枢轴衬套	1	1	1	
45	6E0-42539-00	BUSHING, PIVOT SHAFT 枢轴衬套	1	1	1	
46	6E0-42549-00	BUSHING, PIVOT SHAFT 枢轴衬套	1	1	1	
47	6E0-42528-03	PLATE, FRICTION 阻力板	1	1	1	
48	95380-08600	NUT 螺母	1	1	1	
49	90502-08M05	SPRING, CONICAL 锥形弹簧	1	1	1	
50	6L5-42529-01	SCREW, FRICTION PIECE 阻力块螺钉	1	1	1	
51	6L5-42561-00	KNOB, STEERING LOCK 方向锁紧旋钮	1	1	1	
52	6L5-44196-00	INDICATOR 3 指示器 3	1	1	1	
53	6L5-44197-00	INDICATOR 4 指示器 4	1	1	1	

FIG. 11 LOWER CASING & DRIVE

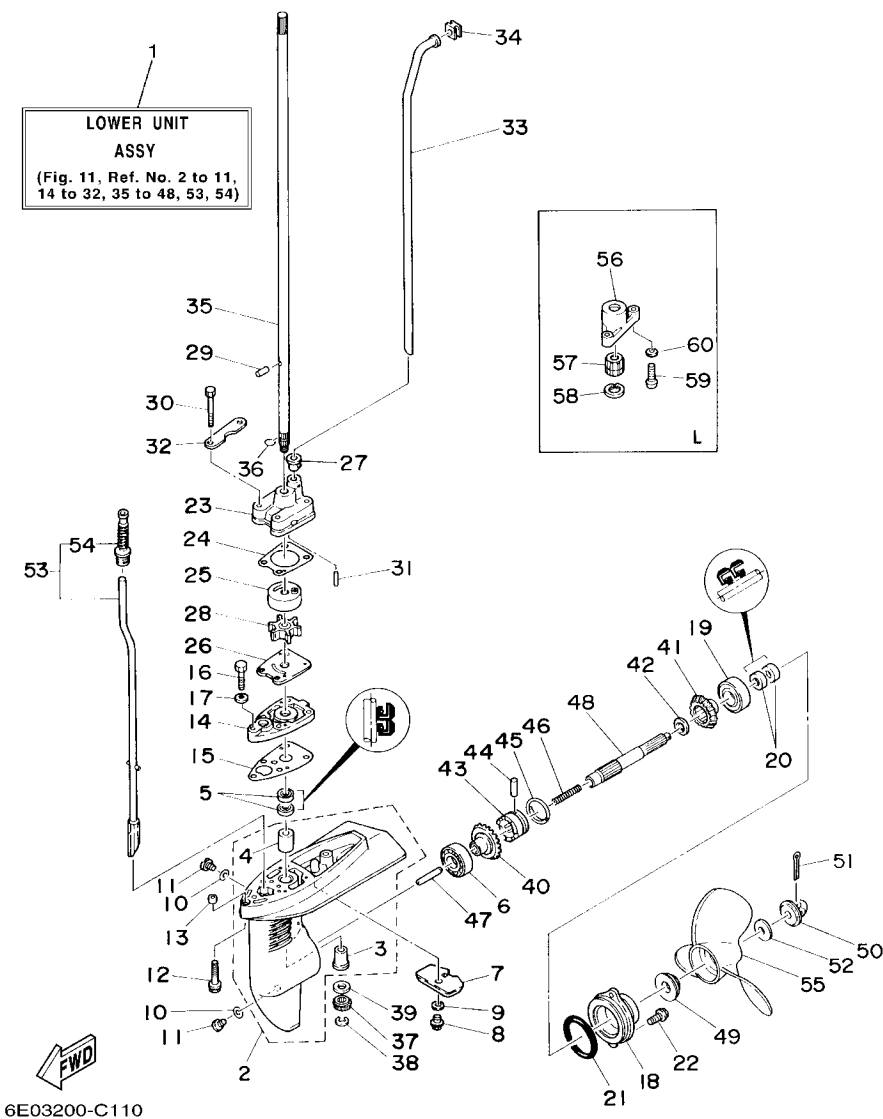
水下装置壳体 & 驱动系统



REF. NO.	PART NO. 零件号码	DESCRIPTION 零件名称	6E08	6E38	6E48	REMARKS 备注
1	6E0-45300-03-4D	LOWER UNIT ASSY 水下装置总成	1	1	1	S(17.5")
	6E0-45300-13-4D	LOWER UNIT ASSY 水下装置总成	1	1	1	L(22.5")
2	6E0-45311-02-4D	CASING, LOWER 水下装置壳	1	1	1	
3	6E0-45317-09	.BUSHING, DRIVE SHAFT .驱动轴衬套	1	1	1	
4	6E0-45316-09	.BUSHING, DRIVE SHAFT .驱动轴衬套	1	1	1	
5	93101-10M14	OIL SEAL 油封	2	2	2	
6	93306-004U0	BEARING 轴承	1	1	1	
7	6L5-45251-03	ANODE 阳极	1	1	1	
8	95895-06012	BOLT, FLANGE 凸缘螺栓	1	1	1	
9	92990-06300	WASHER, INTERNAL TOOTH 内齿垫	1	1	1	
10	90430-08020	GASKET 衬垫	3	3	3	
11	90340-08002	PLUG, STRAIGHT SCREW 圆柱螺钉	3	3	3	
12	90119-06M40	BOLT, WITH WASHER 带垫螺	2	2	2	
13	90387-06M14	COLLAR 安装	2	2	2	
14	6E0-45321-01-5B	PLATE 面板	1	1	1	
15	6E0-45315-A0	PACKING, LOWER CASING 水下装置壳体密封垫	1	1	1	
16	97095-06025	BOLT 螺栓	1	1	1	
17	92995-06600	WASHER 垫圈	1	1	1	
18	6E0-45361-01-4D	CAP, LOWER CASING 水下装置壳体盖	1	1	1	
19	93306-004U0	BEARING 轴承	1	1	1	
20	93101-13M12	OIL SEAL 油封	2	2	2	
21	93210-48214	O-RING O 型环	1	1	1	
22	95895-06016	BOLT, FLANGE 凸缘螺栓	2	2	2	
23	6E0-44311-00	HOUSING, WATER PUMP 水泵壳	1	1	1	
24	6E0-44315-A0	GASKET, WATER PUMP 水泵衬垫	1	1	1	
25	6E0-44322-02	INSERT, CARTRIDGE 芯子	1	1	1	
	6E0-44322-40	INSERT, CARTRIDGE 芯子		1		FOR CHN CHN 车用

FIG. 11 LOWER CASING & DRIVE

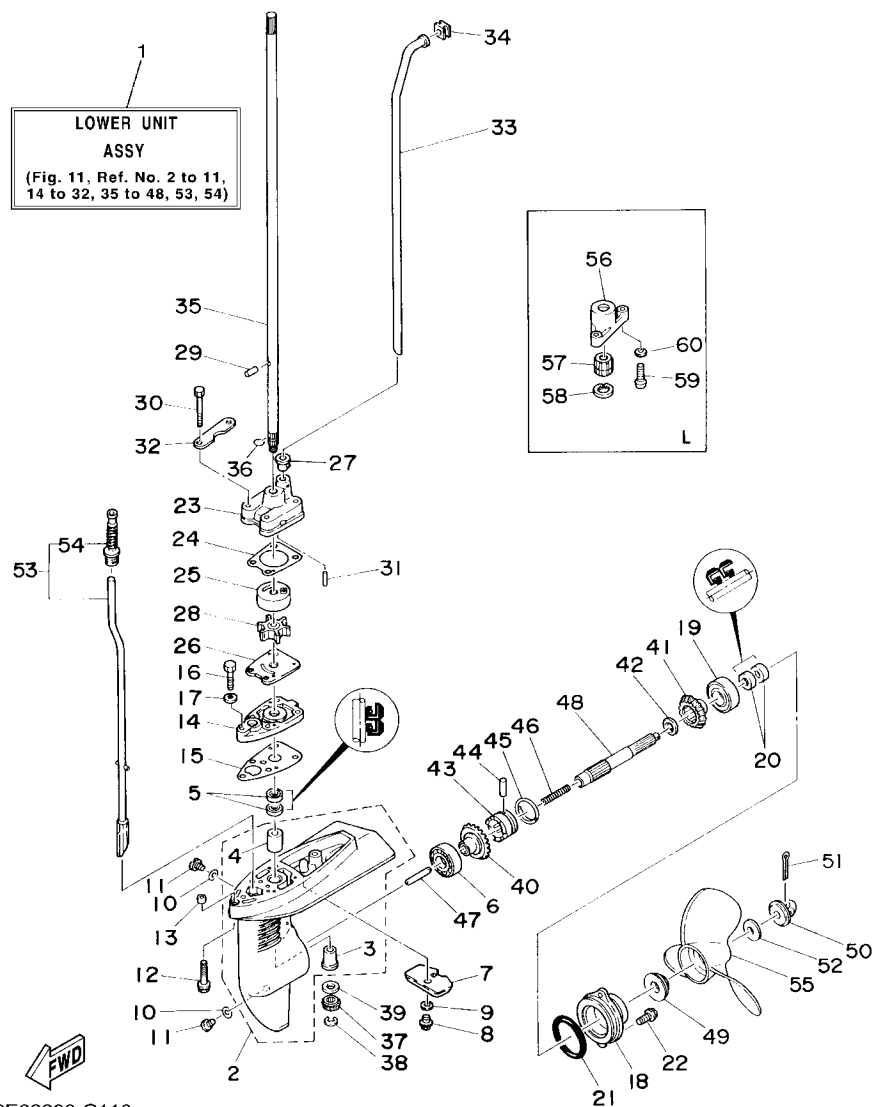
水下装置壳体 & 驱动系统



REF. NO.	PART NO. 零件号码	DESCRIPTION 零件名称	6E08	6E38	6E48	REMARKS 备注
26	6E0-44323-00	OUTER PLATE, CARTRIDGE 外挡板	1	1	1	
	6E0-44323-40	OUTER PLATE, CARTRIDGE 外挡板		1		FOR CHN CHN 车用
27	6E0-44366-00	DAMPER, WATER SEAL 水封减震器	1	1	1	
28	6E0-44352-00	IMPELLER 叶	1	1	1	
29	93604-09066	PIN, DOWEL 定位销	1	1	1	
30	97095-06045	BOLT 螺栓	4	4	4	
31	93604-18080	PIN, DOWEL 定位销	2	2	2	
32	6E0-44328-00	PLATE 面板	2	2	2	
33	6E0-44361-00	TUBE, WATER 水管	1	1	1	S(17.5")
	6E0-44361-10	TUBE, WATER 水管	1	1	1	L(22.5")
34	646-44365-00	DAMPER, WATER SEAL 水封减震器	1	1	1	
35	6E0-45511-01	SHAFT, DRIVE 驱动轴	1	1	1	S(17.5")
	6E0-45511-11	SHAFT, DRIVE 驱动轴	1	1	1	L(22.5")
36	90467-08M01	CLIP 钢夹	1	1	1	
37	6E0-45551-00	PINION (13T) 小齿	1	1	1	
38	99001-06600	CIRCLIP 开口簧环, 卡环	1	1	1	
39	90201-11M49	WASHER, PLATE 面板垫	1	1	1	
40	6E0-45560-00	GEAR 1 (27T) 齿	1	1	1	
41	6E0-45570-00	GEAR 2 (27T) 齿	1	1	1	
42	90201-13M50	WASHER, PLATE 面板垫	1	1	1	
43	6E0-45631-00	CLUTCH, DOG 爪形离合器	1	1	1	
44	90250-05046	PIN, STRAIGHT 直销, 圆柱销	1	1	1	
45	654-45633-00	RING, CROSS PIN 十字	1	1	1	
46	90501-10064	SPRING, COMPRESSION 压缩弹簧	1	1	1	
47	654-45635-00	PLUNGER, SHIFT 换挡柱	1	1	1	
48	6E0-45611-01	SHAFT, PROPELLER 螺旋桨轴	1	1	1	
49	6L5-45987-01	SPACER 衬套	1	1	1	

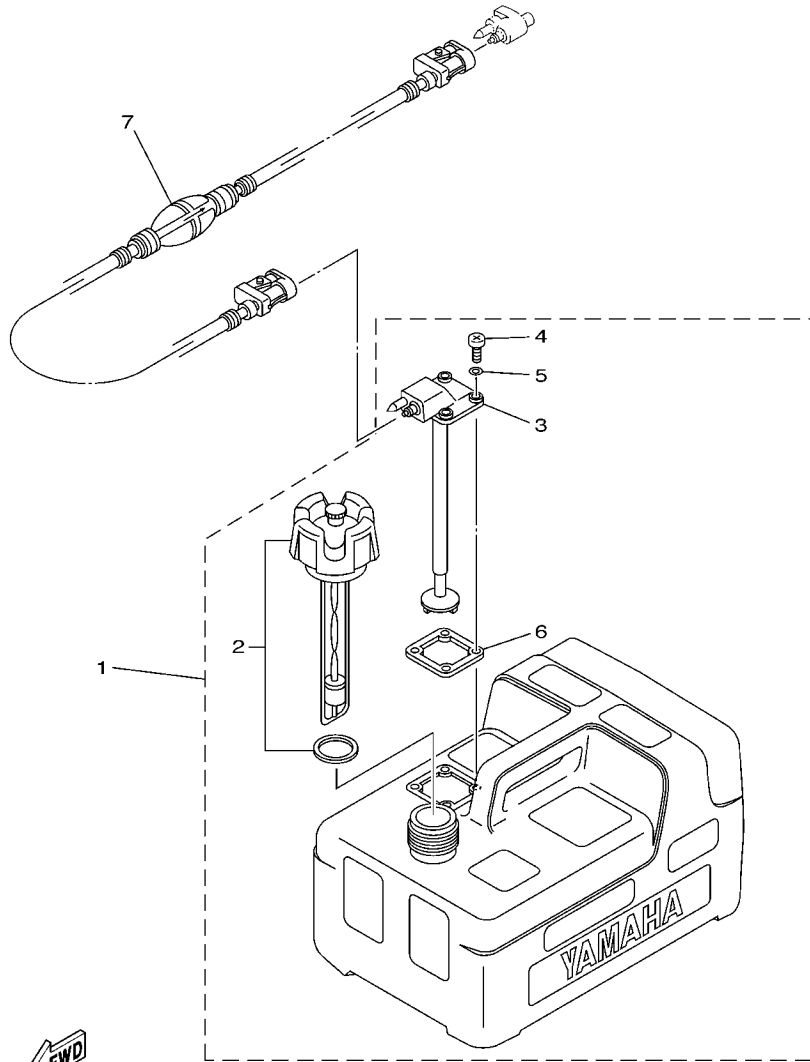
FIG. 11 LOWER CASING & DRIVE

水下装置壳体 & 驱动系统



6E03200-C110

REF. NO.	PART NO. 零件号码	DESCRIPTION 零件名称	6E08	6E38	6E48	REMARKS 备注
50	6L5-45616-00	NUT, PROPELLER 螺旋桨螺母	1	1	1	
51	91490-25030	PIN, COTTER 开口销	1	1	1	
52	90201-08M54	WASHER, PLATE 面板垫	1	1	1	
53	6E0-44150-00	SHIFT CAM ASSY 换挡凸轮组合	1	1	1	S(17.5")
	6E0-44150-10	SHIFT CAM ASSY 换挡凸轮组合	1	1	1	L(22.5")
54	6G1-44147-00	.BOOT, SHIFT ROD . 换挡连杆衬套	1	1	1	
55	6E0-45941-01-EL	PROPELLER (3X7-1/2"X8"-BA) 螺旋桨组合	1	1	1	UR
	6E0-45943-01-EL	PROPELLER (3X7-1/2"X7"-BA) 螺旋桨组合	1	1	1	UR
	6E0-45949-00-EL	PROPELLER (3X7-1/4"X6-1/2"-BA) 螺旋桨组合	1	1	1	UR
56	6E0-45331-00-5B	HOUSING, BEARING 轴承壳	1	1	1	L(22.5")
57	6E0-45318-01	BUSHING, DRIVE SHAFT 驱动轴衬套	1	1	1	L(22.5")
58	93420-22M03	CIRCLIP 开口簧环, 卡环	1	1	1	L(22.5") L(22.5")
59	97880-05025	SCREW, PAN HEAD 大柱头螺钉	2	2	2	L(22.5") L(22.5")
60	92990-05600	WASHER, PLATE 面板垫圈	2	2	2	L(22.5") L(22.5")

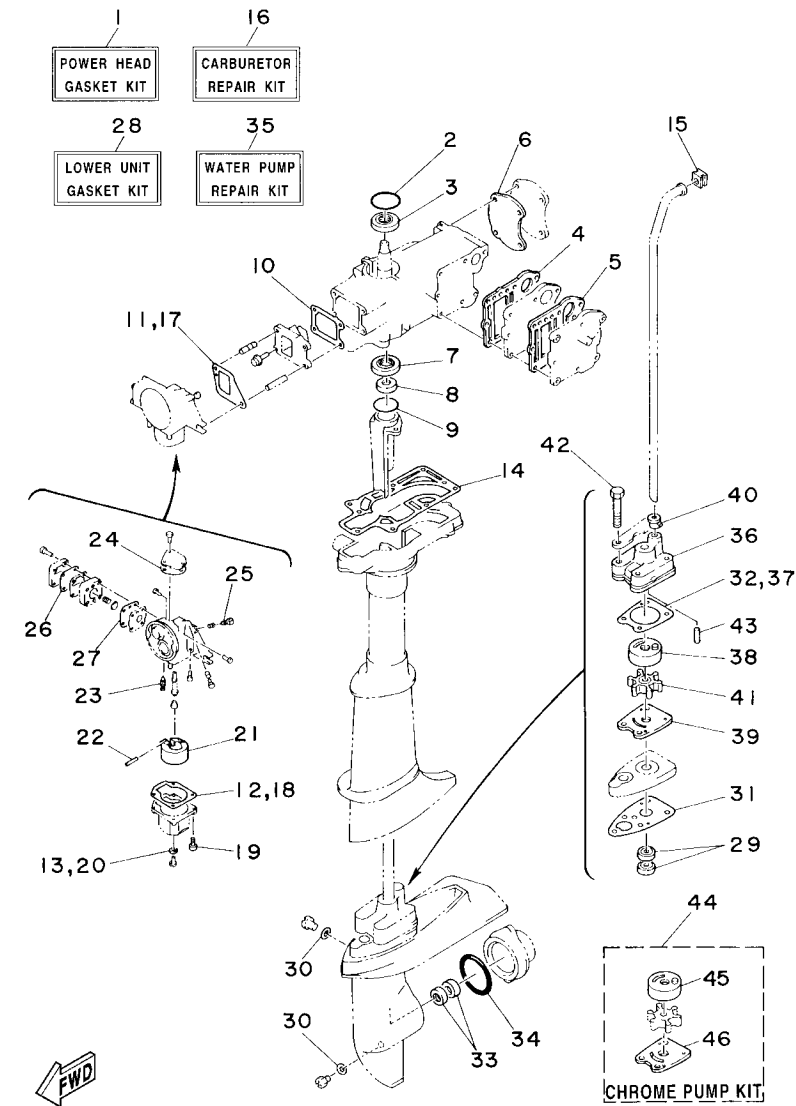


66M4100-D270

FIG. 12 FUEL TANK

油箱

REF. NO.	PART NO. 零件号码	DESCRIPTION 零件名称	6E08	6E38	6E48	REMARKS 备注
1	6YL-24201-05	FUEL TANK ASSY (12L) 燃油箱组合			1	AP AP
2	6YL-24610-01	.CAP ASSY .盖组合			1	
3	6YL-24260-01	.FUEL METER ASSY .油量表组合			1	
4	90157-05M16	.SCREW, PAN HEAD .大柱头螺钉			4	
5	6YL-24329-00	.SEAL .密封			4	
6	6YL-24268-01	.GASKET, FUEL METER .油量表衬垫			1	
7	6YL-24306-54	FUEL PIPE COMP. 1 燃油管组件 1			1	AP AP

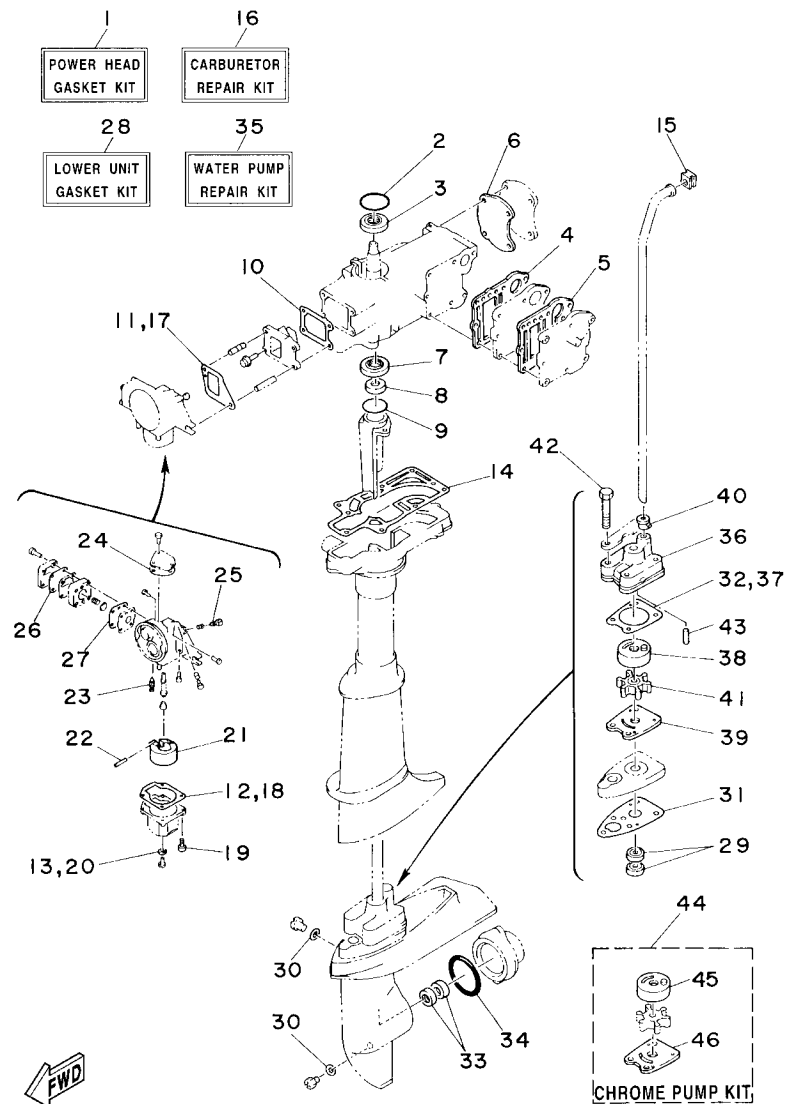


6E00100-4110

FIG. 13 REPAIR KIT

修理套件

REF. NO.	PART NO. 零件号码	DESCRIPTION 零件名称	6E08	6E38	6E48	REMARKS 备注
1	6E0-W0001-A4	POWER HEAD GASKET KIT 衬垫套	1			
	6E3-W0001-A4	POWER HEAD GASKET KIT 衬垫套		1	1	
2	93210-42159	.O-RING .O 型环	1	1	1	
3	93102-20M25	.OIL SEAL .油封	1	1	1	
4	6E0-41112-A1	.GASKET, EXHAUST INNER COVER .排气管内盖衬垫	1			
	6E3-41112-A1	.GASKET, EXHAUST INNER COVER .排气管内盖衬垫		1	1	
5	6E0-41114-A1	.GASKET, EXHAUST OUTER COVER .排气管外盖衬垫	1			
	6E3-41114-A1	.GASKET, EXHAUST OUTER COVER .排气管外盖衬垫		1	1	
6	6E0-11193-A1	.GASKET, HEAD COVER 1 .气缸盖罩衬垫 1	1			
	6E3-11193-A1	.GASKET, HEAD COVER 1 .气缸盖罩衬垫 1		1	1	
7	93101-20M29	.OIL SEAL .油封	1	1	1	
8	93101-10M25	.OIL SEAL .油封	1	1	1	
9	93210-31MJ5	.O-RING .O 型环	1	1	1	
10	6E0-13621-A2	.GASKET, VALVE SEAT .阀座衬垫	1	1	1	
11	6E0-14198-A0	.GASKET 衬垫	1	1	1	
12	6E0-14384-00	.GASKET, FLOAT CHAMBER .浮子室衬垫	1	1	1	
13	646-14198-01	.GASKET 衬垫	1	1	1	
14	6E0-45113-A1	.GASKET, UPPER CASING .水上装置壳体衬垫	1	1	1	
15	646-44365-00	.DAMPER, WATER SEAL .水封减震器	1	1	1	
16	6E0-W0093-04	CARBURETOR REPAIR KIT 化油器修理套	1	1	1	
17	6E0-14198-A0	.GASKET 衬垫	1	1	1	
18	6E0-14384-00	.GASKET, FLOAT CHAMBER .浮子室衬垫	1	1	1	
19	97980-04116	.SCREW, WITH WASHER .带垫圈螺钉	4	4	4	
20	646-14198-01	.GASKET 衬垫	1	1	1	
21	6E7-14385-01	.FLOAT .浮子	1	1	1	
22	647-14386-00	.PIN, FLOAT .浮子销	1	1	1	
23	6F5-14392-00	.VALVE, NEEDLE .针阀	1	1	1	



6E00100-4110

FIG. 13 REPAIR KIT

修理工件

REF. NO.	PART NO. 零件号码	DESCRIPTION 零件名称	6E08	6E38	6E48	REMARKS 备注
24	6E0-14227-00	.GASKET .垫	1	1	1	
25	647-14323-00	.SCREW, AIR ADJUSTING .空气调整螺钉	1	1	1	
26	6E0-24471-00	.DIAPHRAGM .隔膜	1	1	1	
27	6E0-24411-00	.DIAPHRAGM .隔膜, 隔板	1	1	1	
28	6E0-W0001-C1	LOWER UNIT GASKET KIT 衬垫套	1	1	1	
29	93101-10M14	.OIL SEAL .油封	2	2	2	
30	90430-08020	.GASKET .衬垫	3	3	3	
31	6E0-45315-A0	.PACKING, LOWER CASING .水下装置壳体密封垫	1	1	1	
32	6E0-44315-A0	.GASKET, WATER PUMP .水泵衬垫	1	1	1	
33	93101-13M12	.OIL SEAL .油封	2	2	2	
34	93210-48214	.O-RING .O 型环	1	1	1	
35	6E0-W0078-A3	WATER PUMP REPAIR KIT 水泵修理套	1	1	1	
36	6E0-44311-00	.HOUSING, WATER PUMP .水泵壳	1	1	1	
37	6E0-44315-A0	.GASKET, WATER PUMP .水泵衬垫	1	1	1	
38	6E0-44322-02	.INSERT, CARTRIDGE .芯子	1	1	1	
39	6E0-44323-00	.OUTER PLATE, CARTRIDGE .外挡板	1	1	1	
40	6E0-44366-00	.DAMPER, WATER SEAL .水封减震器	1	1	1	
41	6E0-44352-00	.IMPELLER .叶	1	1	1	
42	97095-06045	.BOLT .螺栓	4	4	4	
43	93604-18080	.PIN, DOWEL .定位销	2	2	2	
44	6E0-W0078-0A	CHROME PUMP KIT 水泵修理套	1	1	1	
45	6E0-44322-40	.INSERT, CARTRIDGE .芯子	1	1	1	
46	6E0-44323-40	.OUTER PLATE, CARTRIDGE .外挡板	1	1	1	

NUMERICAL INDEX

零件号码索引

PART NO. 零件号码	REF. NO.	PART NO. 零件号码	REF. NO.	PART NO. 零件号码	REF. NO.	PART NO. 零件号码	REF. NO.	PART NO. 零件号码	REF. NO.	PART NO. 零件号码	REF. NO.
6E0-11191-01-1S	2 - 21	648-14342-26	3 - 23	6YL-24260-01	12 - 3	6E0-41114-A1	13 - 5	6E0-42816-00	7 - 4	646-44365-00	11 - 34
6E3-11191-01-1S	2 - 21	648-14343-40	3 - 15	6YL-24268-01	12 - 6	6E3-41114-A1	2 - 27		8 - 4		13 - 15
6E0-11193-A1	2 - 22	6E0-14346-00	3 - 31	6YL-24268-01	7 - 35		13 - 5	6E0-43111-02-4D	10 - 11	6E0-44366-00	11 - 27
	13 - 6	6E0-14381-02	3 - 7		8 - 13	6E0-41256-00	3 - 43	6E0-43112-01-4D	10 - 12		13 - 40
6E3-11193-A1	2 - 22	6E0-14384-00	3 - 10	6E3-11400-00	12 - 7	661-41262-02	3 - 47	6A1-43113-01	10 - 19	6E0-45111-02-4D	10 - 1
	13 - 6		13 - 12	6E0-11400-00	7 - 26	6E0-41271-00	3 - 44	6E0-43114-00	10 - 13	6E0-45111-12-4D	10 - 1
650-11370-01	2 - 3		13 - 18	6E0-24312-00	7 - 36	6E0-41272-00	3 - 45	6E0-43116-01	10 - 14	6E0-45113-A1	2 - 48
6E5-11372-01	2 - 5	6E7-14385-01	3 - 12	688-24313-00	8 - 15	6E0-42111-02-4D	9 - 1	6E0-43118-01	10 - 15		13 - 14
6E0-11400-00	2 - 31		13 - 21	6YL-24329-00	12 - 5	6E0-42119-00	9 - 14	6E0-43160-01	10 - 36	647-45151-01	10 - 9
6E3-11400-00	2 - 31	647-14386-00	3 - 13	6E0-24335-00	7 - 25	6E0-42125-00	9 - 9	689-43165-00	10 - 37	6L5-45251-03	11 - 7
6E0-11412-00	2 - 32		13 - 22	6E0-24378-00	2 - 9	6E4-42129-00	9 - 3	6E0-43181-00	10 - 29	6E0-45300-03-4D	11 - 1
6E3-11412-00	2 - 32	6F5-14392-00	3 - 16	6E0-24411-00	3 - 32	6E0-42129-02	9 - 2	6E0-43189-00	10 - 32	6E0-45301-13-4D	11 - 1
6E0-11422-00	2 - 33		13 - 23		13 - 27	6E0-42131-02-94	9 - 5	6E0-43311-04-4D	10 - 25	6E0-45311-02-4D	11 - 2
6E3-11422-00	2 - 33	6E0-14417-00	3 - 38	6E0-24412-00	3 - 29	6E0-42134-02	9 - 10	6E0-43312-02-4D	10 - 26	6E0-45315-A0	11 - 15
6G1-11610-00	2 - 42	6E0-14418-00	3 - 39	6E0-11412-00	3 - 26	6E0-42137-10	9 - 16	6E0-43313-00-94	10 - 31		13 - 31
6J1-11610-00	2 - 42	624-14485-00	2 - 4	6E0-24423-00	3 - 30	6E0-42138-01	9 - 21	6E0-43614-00-5B	10 - 39	6E0-45316-09	11 - 4
6E0-11631-00-98	2 - 41	6E0-15100-01-1S	2 - 2	6E0-24434-00	3 - 33	6E0-42159-02	9 - 22	6E0-43632-00	10 - 30	6E0-45317-09	11 - 3
6E3-11631-00-98	2 - 41	6E3-15100-02-1S	2 - 2	6E0-24435-00	3 - 28	6E0-42177-00	9 - 15	6E4-44111-72-4D	9 - 25	6E0-45318-01	11 - 57
6G1-11633-00	2 - 44	6E0-15359-01-94	5 - 5	6E0-24471-00	3 - 27	6E0-42528-03	10 - 47	6E0-44116-00	9 - 29	6E0-45321-01-5B	11 - 14
6E0-11651-01	2 - 37	6E0-15396-03-5B	2 - 16		13 - 26	6L5-42529-01	10 - 50	6E0-44121-00	9 - 32	6E0-45331-00-5B	11 - 56
6G1-11681-00	2 - 34	6E0-15705-00	4 - 11	6E0-24500-01	7 - 19	6E0-42537-02	10 - 43	6E0-44143-00	9 - 34	6E0-45361-01-4D	11 - 18
6E5-12411-02	2 - 46	6E0-15710-73-94	4 - 1	6E0-24500-10	7 - 19	6E0-42538-02	10 - 44	6E0-44143-10	9 - 34	6E0-45511-01	11 - 35
6E5-12412-00	2 - 47	6E4-15710-74-94	4 - 1	6E0-24500-61	7 - 38	6E0-42539-00	10 - 45	6E0-44145-00	9 - 37	6E0-45511-11	11 - 35
6E0-13610-00	3 - 1	6E4-15711-72-94	4 - 2	624-24521-02	7 - 39	6E0-42542-00	7 - 11	6E0-44146-00	9 - 38	6E0-45551-00	11 - 37
6J1-13610-00	3 - 1	6E0-15714-01	4 - 3	102-24522-01	7 - 40	6E0-42549-00	10 - 46	6G1-44147-00	11 - 54	6E0-45560-00	11 - 40
6E0-13621-A2	3 - 3	6E0-15717-00	4 - 5	6J1-24524-00	7 - 29	6L5-42561-00	10 - 51	6E0-44150-00	11 - 53	6E0-45570-00	11 - 41
	13 - 10	6E0-15723-00-94	5 - 2	6E0-24566-61	7 - 41	6E4-42610-30-4D	1 - 1	6E0-44150-10	11 - 53	6E0-45611-01	11 - 48
6E0-14157-00	3 - 17	677-15741-01	4 - 9	6E3-24566-61	7 - 41	6E0-42610-40-4D	1 - 1	6E0-44191-11	1 - 9	6L5-45616-00	11 - 50
6E0-14159-00	3 - 34	6E4-15746-70	4 - 23	6E0-24571-00	7 - 20	6E3-42610-40-4D	1 - 1	6L5-44196-00	10 - 52	6E0-45631-00	11 - 43
6E0-14180-00	3 - 6	6E4-15747-70	4 - 26	6E0-24572-00	7 - 22	6E0-42615-00	1 - 2	6L5-44197-00	10 - 53	654-45633-00	11 - 45
646-14198-01	3 - 8	656-15748-00	4 - 19	6E0-24575-01	7 - 23	6E1-42643-01	8 - 10	6E0-44311-00	11 - 23	654-45635-00	11 - 47
	13 - 13	6G1-15755-00	4 - 14	6E0-24591-10	7 - 21	6E0-42647-01	1 - 3		13 - 36	6E0-45941-01-EL	11 - 55
646-14198-01	13 - 20	6E0-15758-01	4 - 15	6YL-24610-01	12 - 2	6E0-42651-02	1 - 4	6E0-44315-A0	11 - 24	6E0-45943-01-EL	11 - 55
6E0-14198-A0	3 - 35	6E3-15758-01	4 - 15	6E0-24610-02	7 - 14	6E0-42677-20	1 - 7		13 - 32	6E0-45949-00-EL	11 - 55
	13 - 11	6E0-15761-00	4 - 16	6E0-24641-00	7 - 16	6E3-42677-20	1 - 7		13 - 37	6L5-45987-01	11 - 49
	13 - 17	6E4-15770-70	4 - 21	6E3-24641-00	7 - 16	6E0-42678-12	1 - 8	6E0-44322-02	11 - 25	6E0-81303-40	5 - 23
646-14212-01	3 - 21	6E0-15772-71	4 - 22	6E0-26301-01	9 - 24	6E3-42678-12	1 - 8		13 - 38	6E0-81303-80	5 - 23
6E0-14227-00	3 - 18	6E4-15772-71	4 - 22	6G1-2811G-00	8 - 11	6S7-42698-40	1 - 10	6E0-44322-40	11 - 25	6E0-81328-70	5 - 13
	13 - 24	6G1-15779-00	4 - 12	626-28193-01-94	10 - 55	6E0-42711-05-4D	7 - 1		13 - 45	6E0-81336-70	5 - 12
6E0-14301-05	3 - 5	6E0-24110-01-4D	7 - 13	6E0-41111-01-1S	2 - 24		8 - 1	6E0-44323-00	11 - 26	6AH-81994-40	7 - 50
6E3-14301-05	3 - 5	6E0-24181-00	7 - 15	6E3-41111-01-1S	2 - 24	6E0-42711-10-4D	7 - 1		13 - 39		8 - 22
664-14321-01	3 - 22	6E0-24182-00	7 - 10	6E0-41112-A1	2 - 25	664-42791-00	7 - 49	6E0-44323-40	11 - 26	6AH-81995-40	4 - 31
647-14323-00	3 - 20	6E1-24182-00	8 - 12		13 - 4		8 - 21		13 - 46	6E0-82316-01-94	6 - 3
	13 - 25	6E3-24182-00	7 - 10	6E3-11422-00	2 - 25	664-42791-10	7 - 49	6E0-44328-00	11 - 32	6E0-82317-00	6 - 4
647-14326-00	3 - 24	6E0-24183-00	5 - 19		13 - 4		8 - 21	6E0-44352-00	11 - 28	663-82370-01	6 - 2
6E0-14341-01	3 - 14	6YL-24201-05	12 - 1	6E0-41113-01-1S	2 - 26	6AH-42794-40	9 - 40		13 - 41	6E3-82370-21	6 - 2
6E3-14341-02	3 - 14	646-24251-02	7 - 33	6E3-41113-01-1S	2 - 26	6E0-42815-00-4D	7 - 2	6E0-44361-00	11 - 33	6G1-82370-21	6 - 2
648-14342-23	3 - 23		8 - 14	646-24251-02	2 - 27		8 - 2	6E0-44361-10	11 - 33	682-82556-00	7 - 47

NUMERICAL INDEX

零件号码索引

PART NO. 零件号码	REF. NO.	PART NO. 零件号码	REF. NO.	PART NO. 零件号码	REF. NO.	PART NO. 零件号码	REF. NO.	PART NO. 零件号码	REF. NO.	PART NO. 零件号码	REF. NO.
682-82556-00	8 - 19	90170-16M35	7 - 28	90467-06016	2 - 10	93101-20M29	13 - 7	95895-06025	7 - 12		
6E0-82575-00	7 - 46	90185-08057	10 - 20		2 - 15	93102-20M25	5 - 15		9 - 33		
	8 - 18	90201-06M30	4 - 8	90467-06016	7 - 18		13 - 3	95895-06035	10 - 28		
689-8257Y-00	7 - 48	90201-08M03	10 - 18		7 - 18	93210-12327	9 - 26	97013-05020	9 - 6		
	8 - 20	90201-08M54	11 - 52		7 - 45	93210-31MJ5	2 - 17	97080-06010	6 - 9		
6E0-85520-70	5 - 6	90201-10119	9 - 18		8 - 17		13 - 9	97095-06016	2 - 19		
6E0-85540-71	6 - 11	90201-10126	5 - 22	90467-08M01	11 - 36	93210-42159	5 - 16		5 - 17		
6E0-85548-00	6 - 10	90201-11M49	11 - 39	90468-07M02	2 - 49		13 - 2		6 - 6		
6E0-85550-72	5 - 1	90201-13M50	11 - 42	90468-10005	4 - 27	93210-48214	11 - 21		10 - 5		
6E0-85560-71	5 - 4	90201-32M48	2 - 40	90480-10M13	10 - 10		13 - 34	97095-06025	11 - 16		
6E0-85570-00	6 - 5	90202-05088	4 - 29	90480-14M14	7 - 8	93306-004U0	11 - 6	97095-06030	10 - 3		
6E0-85592-70	5 - 10	90202-07M22	9 - 13		8 - 8		11 - 19	97095-06045	11 - 30		
6E0-85595-70	5 - 8	90202-12M16	3 - 46	90480-25161	6 - 8	93306-204U0	2 - 35		13 - 42		
6E0-W0001-A4	13 - 1	90202-12M17	7 - 24	90501-10064	11 - 46	93310-112V0	2 - 43	97313-06035	4 - 6		
6E3-W0001-A4	13 - 1	90202-16061	9 - 28	6E0-85570-00	4 - 20	93310-418V1	2 - 36	97780-40720	3 - 42		
6E0-W0001-C1	13 - 28	90206-12052	7 - 5	90501-23215	9 - 17	93420-22M03	11 - 58	97880-05025	3 - 40		
6E0-W0004-00	3 - 2		8 - 5	90502-08M05	10 - 49	93430-06M02	4 - 10		11 - 59		
6J1-W0004-00	3 - 2	90206-16M06	9 - 27	90508-14M10	10 - 40	93450-13022	2 - 45	97885-04010	7 - 42		
6E0-W0070-14	1 - 6	90209-18112	2 - 38	90508-14M11	10 - 41	93604-09066	11 - 29	97885-05012	9 - 11		
6E0-W0078-0A	13 - 44	90243-04M01	10 - 16	90508-16020	10 - 34	93604-18080	11 - 31		9 - 23		
6E0-W0078-A3	13 - 35	90250-05046	11 - 44	90508-16021	10 - 35		13 - 43	97885-06030	7 - 6		
6E0-W0090-04-1S	2 - 1	90266-04M00	1 - 5	90510-08M03	4 - 4	93606-12019	2 - 6		8 - 6		
6E3-W0090-04-1S	2 - 1	90266-04M05	10 - 54	91490-12010	9 - 12		10 - 2	97890-04007	3 - 19		
6E0-W0093-04	13 - 16	90269-02M09	9 - 20	91490-16010	4 - 30	93700-06M03	10 - 8	97890-05006	3 - 9		
656-W2810-02	1 - 11	90280-04M06	5 - 20		9 - 36		10 - 27	97980-04116	3 - 11		
90101-06335	10 - 22	90340-08002	11 - 11	91490-25030	11 - 51	94702-00040	2 - 50		13 - 19		
90101-08M07	10 - 17	90386-12069	7 - 3	91690-30008	10 - 38	94702-00272	2 - 50	97980-04120	3 - 25		
90105-06035	2 - 29		8 - 3	91790-05010	4 - 28	95303-06600	4 - 7	99001-06600	11 - 38		
90105-06037	2 - 28	90386-26M30	9 - 4	92903-05600	9 - 7	95380-06600	10 - 24				
	2 - 28	90386-26M33	9 - 8	92990-05600	3 - 41	95380-06700	3 - 36				
90105-06039	2 - 23	90387-06504	4 - 24		9 - 35		7 - 7				
	2 - 30	90387-06M11	10 - 21		11 - 60		8 - 7				
90105-06M14	4 - 17	90387-06M14	11 - 13	92990-06300	11 - 9		9 - 30				
	5 - 3	90430-08020	11 - 10	92990-06600	10 - 23		10 - 7				
90105-06M16	2 - 7		13 - 30	92995-06100	5 - 18	95380-08600	10 - 48				
90105-06M17	2 - 8	90445-07M00	2 - 11	92995-06600	2 - 20	95627-06325	3 - 48				
90116-06M08	3 - 49	90445-07M28	2 - 12		3 - 37	95895-06010	10 - 42				
90119-06M18	4 - 25		2 - 14		6 - 7	95895-06012	9 - 31				
90119-06M40	11 - 12	90445-07M32	2 - 13		10 - 4		11 - 8				
90149-05M13	9 - 19	90445-09057	7 - 34		10 - 6	95895-06016	3 - 4				
90157-05M16	12 - 4		8 - 16		11 - 17		6 - 1				
90159-04035	5 - 14	90445-09072	7 - 43	93101-10M14	11 - 5		11 - 22				
90159-04036	5 - 9	90445-09082	7 - 44		13 - 29	95895-06020	4 - 18				
90159-04M24	7 - 30	90445-09M27	7 - 31	6E0-W0001-A4	2 - 18		6 - 12				
90159-05037	5 - 11	90445-09M37	7 - 17		13 - 8		7 - 9				
90159-05038	5 - 7	90464-09M21	7 - 37	93101-13M12	11 - 20		8 - 9				
90159-05040	5 - 24	90465-08M62	7 - 32		13 - 33		9 - 39				
90170-10113	5 - 21	90465-13M11	7 - 27	90465-13M11	2 - 39		10 - 33				