



PARTS CATALOGUE

F115TR-2011 (68VA)



1K68V-110E1

()

F115TR
PARTS CATALOGUE
©2010 by Yamaha Motor Co., Ltd.
1st edition, April 2010
All rights reserved.
Any reprinting or unauthorized use
without the written permission of
Yamaha Motor Co., Ltd.
is expressly prohibited.
Printed in Japan.

FOREWORD

This Parts Catalogue is related to the parts for the model(s) on the cover page. When you are ordering replacement parts, please refer to this Parts Catalogue and quote both part numbers and part names correctly.

1. Modifications or additions which have been made after the issue of the Parts Catalogue will be announced in the Parts News.
It is advisable that you make the necessary corrections to the Parts Catalogue according to the Parts News.

2. Abbreviations

The following abbreviations are used in this Parts Catalogue.

“UR” Use specified parts number.

“UN” Use as many as needed.

“AP” Alternate Parts

“LM” Locally Made (Parts need to be ordered locally)

“F#” Frame No. (Applicable machine No.)

“O/S” Over Size

3. The number of components for assembly

- Parts, which are to be supplied in an assembly, are listed with a dot (.) in front of the part name as shown below.
- The numeral appearing to the right of each component part indicates the quantity of parts for each assembly unit.

PART NO.	DESCRIPTION	Q'TY	REMARKS
2F5-83310-60	FRONT FLASHER LIGHT ASSY	2	
115-83311-60	.BULB (6V-18W)	1	

4. Applicable colours of graphics are represented in the “REMARKS” as shown below.

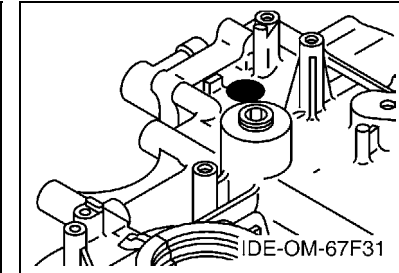
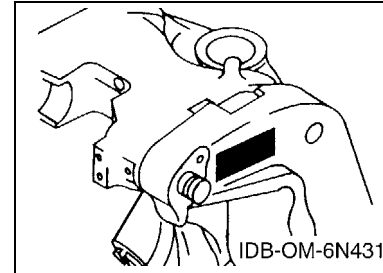
PART NO.	DESCRIPTION	Q'TY	REMARKS
2N4-24110-00-X5	FUEL TANK COMP.	2	MXR
3J1-24240-10	.GRAPHIC, FUEL TANK	1	FOR MXR

5. Note that the illustrations for reference in finding parts numbers are not to be used for assembling. When assembling, please use the applicable service manual.

6. The asterisk (*) before a reference number indicates modified items after the first edition.

7. Applicable Serial No.

Engine Serial No.



8. Applicable Engine Starting Serial No.

Model	Serial No.	Model	Serial No.
F115	68V-1113062		

9. Applicable Colour Code

Abbreviation	Colour Name	Colour Code
DBN1	DARK BLUISH GRAY 1	008D

10. Quantity Column Information

Column No.	Name Of Q'ty Column	Applicable Model
1	TLR	F115TLR
2	TXR	F115TXR
3	TJR	F115TJR

CONTENTS

TOP COWLING	1
CYLINDER & CRANKCASE 1	3
CRANKSHAFT & PISTON	5
CYLINDER & CRANKCASE 2	6
VALVE	8
INTAKE 1	10
INTAKE 2	11
FUEL INJECTION NOZZLE	13
FUEL INJECTION PUMP	15
FUEL 1	17
FUEL 2	19
GENERATOR	20
ELECTRICAL 1	21
ELECTRICAL 2	22
ELECTRICAL 3	24
STARTING MOTOR	26
BOTTOM COWLING	28
CONTROL	30
BRACKET 1	32
BRACKET 2	34
POWER TRIM & TILT ASSY 1	36
POWER TRIM & TILT ASSY 2	38
UPPER CASING	40
OIL PAN	42
LOWER CASING & DRIVE 1	44
LOWER CASING & DRIVE 2	48
STEERING GUIDE	50
OPTIONAL PARTS	51
REPAIR KIT 1	52
REPAIR KIT 2	53
INDEX	
NUMERICAL INDEX	55

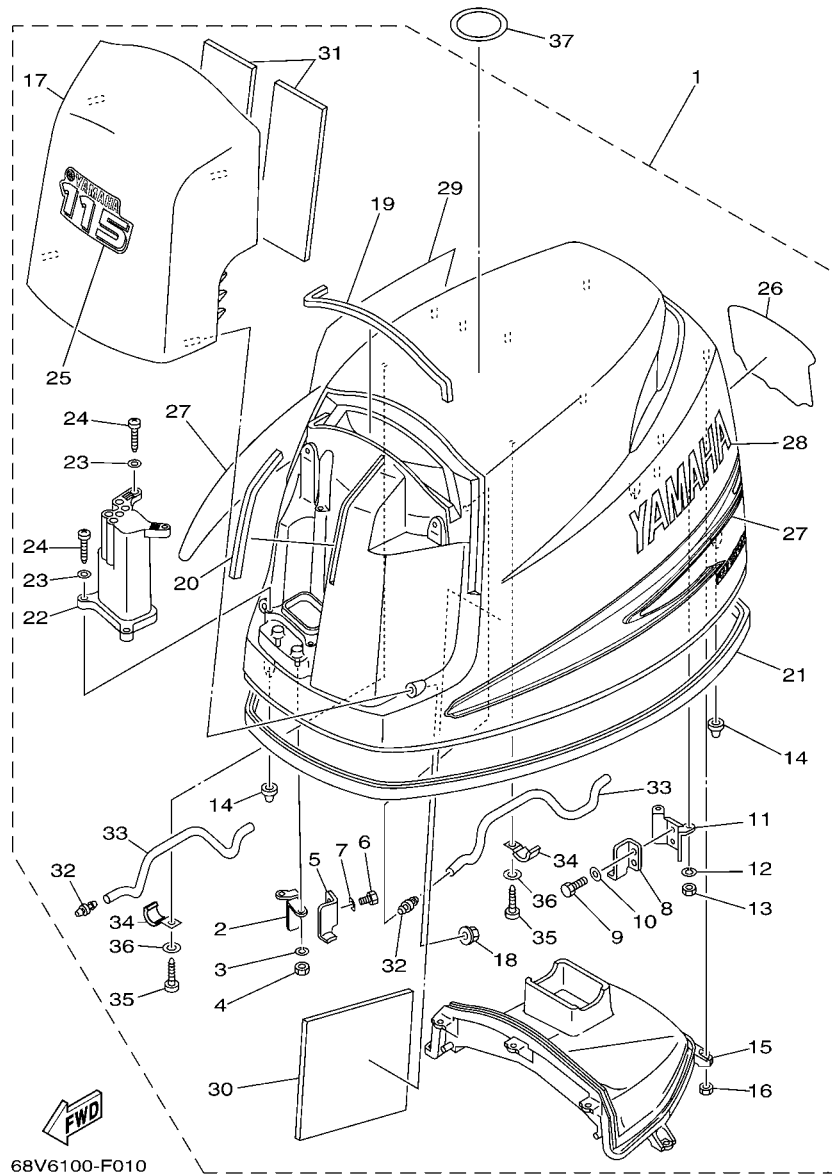


FIG. 1 TOP COWLING

REF. NO.	PART NO.	DESCRIPTION	TLR	TXR	TJR	REMARKS
1	68V-42610-12	TOP COWLING ASSY	1	1		EXCEPT JET-DRIVE
	68V-42610-B2	TOP COWLING ASSY			1	JET-DRIVE
2	68V-42647-00	.HOLDER, CLAMP BAND	1	1	1	
3	92990-06100	.WASHER, SPRING	2	2	2	
4	95380-06600	.NUT, HEXAGON	2	2	2	
5	68V-42651-00	.HOOK	1	1	1	
6	97095-06012	.BOLT	2	2	2	
7	92995-06600	.WASHER	2	2	2	
8	68V-42652-00	.HOOK	1	1	1	
9	97095-06012	.BOLT	2	2	2	
10	92995-06600	.WASHER	2	2	2	
11	67F-42649-00	.HOLDER, CLAMP BAND	1	1	1	
12	92990-06100	.WASHER, SPRING	2	2	2	
13	95380-06600	.NUT, HEXAGON	2	2	2	
14	67F-42662-00	.DAMPER	3	3	3	
15	68V-42613-00	.MOLDING, AIR DUCT	1	1	1	
16	95380-06600	.NUT, HEXAGON	7	7	7	
17	68V-42612-00-8D	.AIR DUCT, TOP COWLING	1	1	1	
18	90179-06M28	.NUT	4	4	4	
19	68V-42628-00	.SEAL	1	1	1	
20	68V-42718-00	.RUBBER, SEAL 3	1	1	1	
21	68V-42615-00	.SEAL	1	1	1	
22	68V-42632-00	.WINDOW	1	1	1	
23	92990-05200	.WASHER, PLAIN	4	4	4	
24	97780-50625	.SCREW, TAPPING	4	4	4	
25	68V-42677-10	.GRAPHIC, FRONT	1	1		EXCEPT JET-DRIVE
	68V-42677-A0	.GRAPHIC, FRONT			1	FOR JET-DRIVE

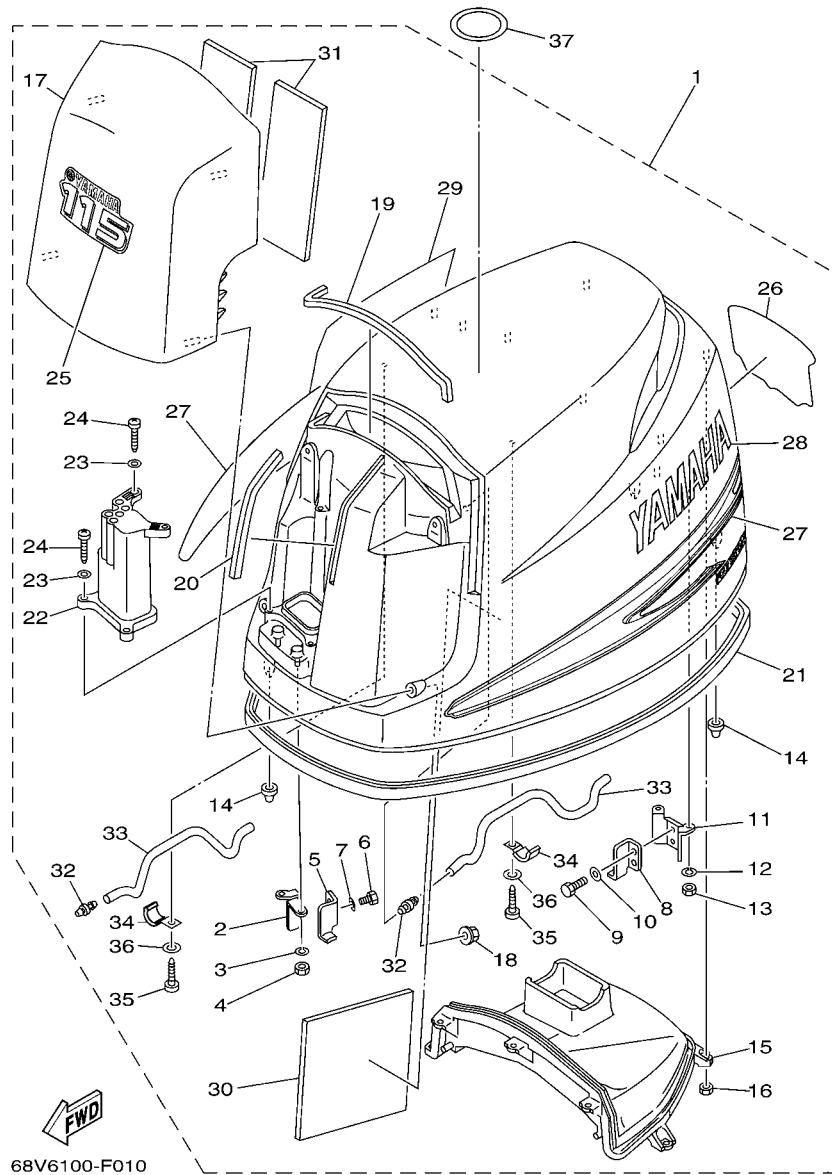


FIG. 1 TOP COWLING

REF. NO.	PART NO.	DESCRIPTION	TLR	TXR	TJR	REMARKS
26	68V-42678-10	.GRAPHIC, REAR	1	1		EXCEPT JET-DRIVE
	68V-42678-B0	.GRAPHIC, REAR			1	FOR JET-DRIVE
27	68V-W0070-10	.GRAPHIC SET	1	1	1	
28	68V-42681-10	.MARK, COWLING	1	1	1	
29	68V-42682-10	.MARK, COWLING	1	1	1	
30	68V-42617-00	.DAMPER, FORM	1	1	1	
31	68V-42619-00	.DAMPER, FORM	2	2	2	
32	6BL-44391-00	.NIPPLE, HOSE	2	2	2	
33	90445-10M18	.HOSE (L295)	2	2	2	
34	90465-08M63	.CLAMP	2	2	2	
35	97780-50620	.SCREW, TAPPING	2	2	2	
36	92990-05200	.WASHER, PLAIN	2	2	2	
37	67F-13434-20	LABEL, CAUTION	1	1	1	

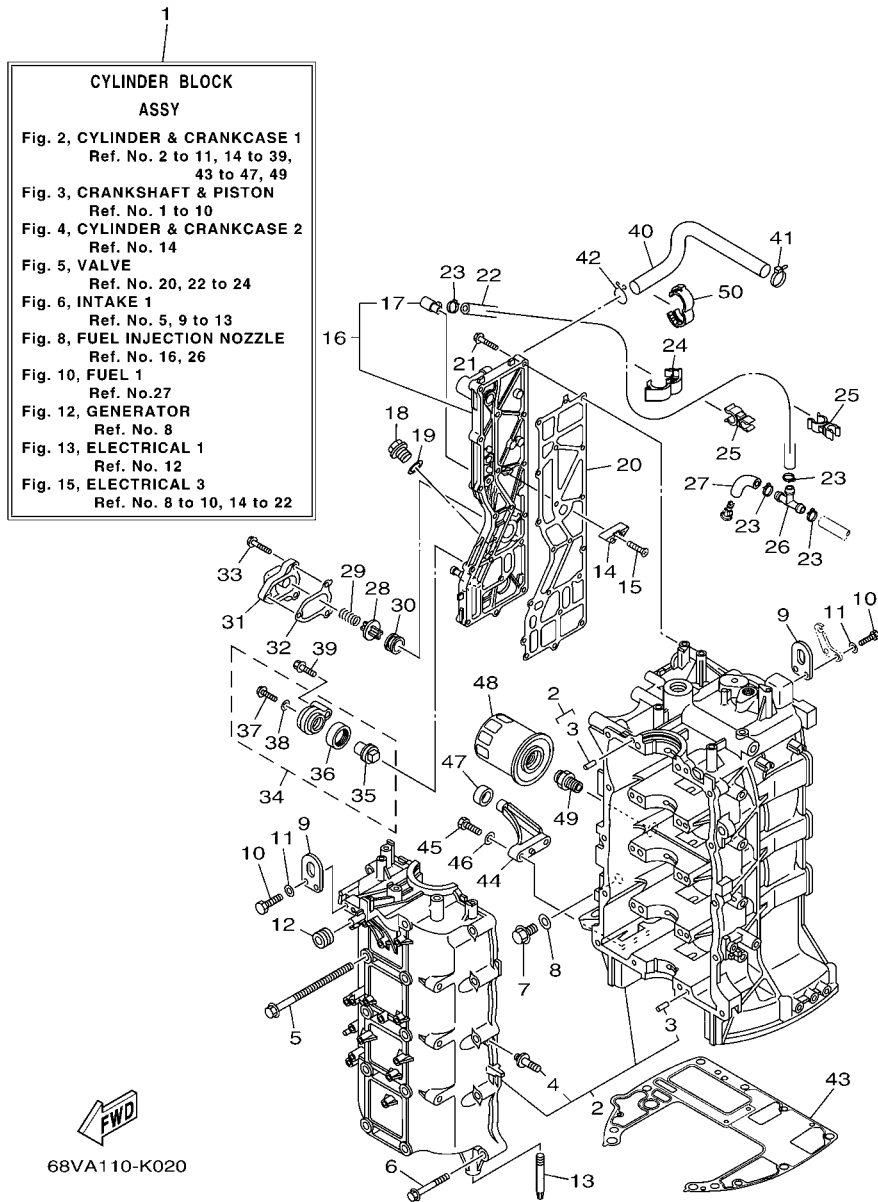


FIG. 2 CYLINDER & CRANKCASE 1

REF. NO.	PART NO.	DESCRIPTION	TLR	TXR	TJR	REMARKS
1	68V-W009B-10-9S	CYLINDER BLOCK ASSY	1	1	1	
2	68V-15100-02-9S	CRANKCASE ASSY	1	1	1	
3	93606-12019	.PIN, DOWEL	10	10	10	
4	68V-44581-01	.BOLT	1	1	1	
5	90119-10M88	BOLT, WITH WASHER	10	10	10	
6	90119-08M66	BOLT, WITH WASHER	10	10	10	
7	90340-14M06	PLUG, STRAIGHT SCREW	1	1	1	
8	90430-14115	GASKET	1	1	1	
9	62Y-11119-00	HANGER, ENGINE	2	2	2	
10	97095-06020	BOLT	4	4	4	
11	92995-06600	WASHER	4	4	4	
12	90480-12314	GROMMET	1	1	1	
13	67F-15142-00	GUIDE 1	2	2	2	
14	6E5-11325-00	ANODE	3	3	3	
15	98780-04016	SCREW, FLAT HEAD	3	3	3	
16	6D8-41113-30-9S	OUTER COVER, EXHAUST	1	1	1	
17	676-11372-00	.NIPPLE, HOSE	1	1	1	
18	90340-18M09	PLUG, STRAIGHT SCREW	1	1	1	
19	90430-18130	GASKET	1	1	1	
20	67F-41114-A2	GASKET, EXHAUST OUTER COVER	1	1	1	
21	90119-06MA4	BOLT, WITH WASHER	18	18	18	
22	68V-42541-00	PIPE 1	1	1	1	
23	90465-11M10	CLAMP	4	4	4	
24	90464-18004	CLAMP	1	1	1	
25	90464-10010	CLAMP	2	2	2	
26	688-24378-00	PIPE, JOINT 3	1	1	1	
27	61A-24316-00	PIPE 6	1	1	1	

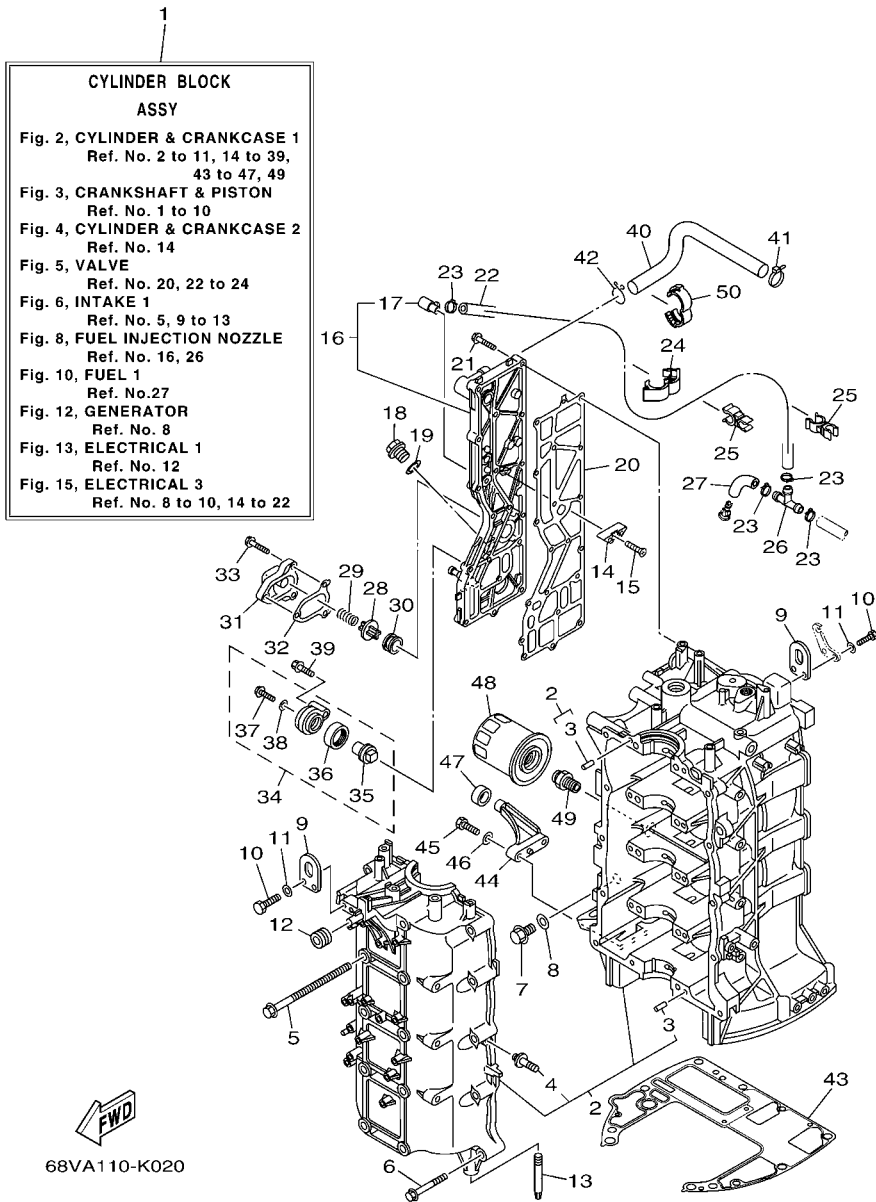
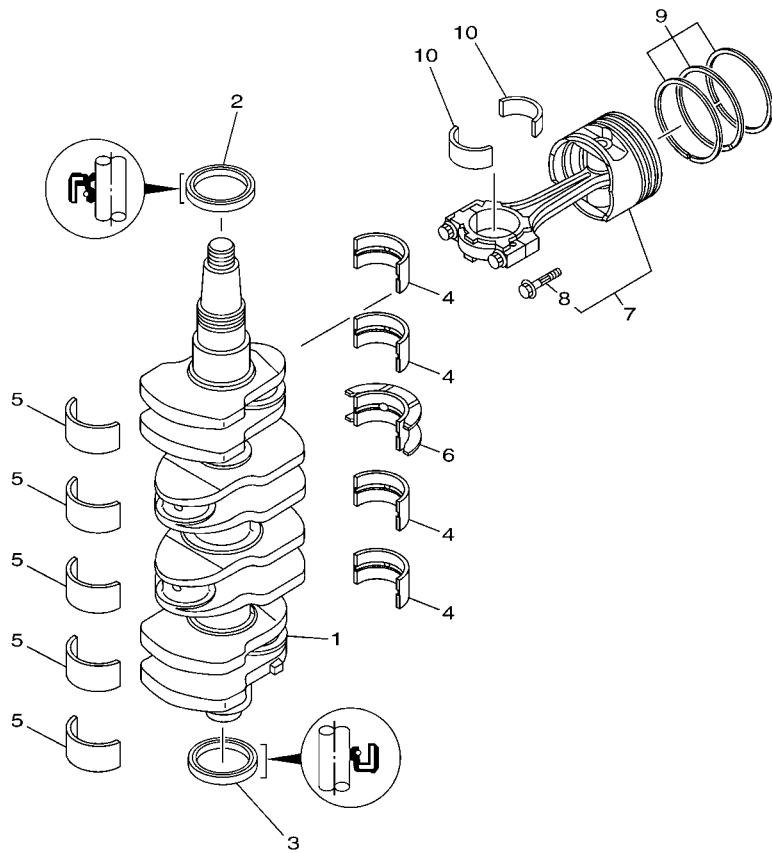


FIG. 2 CYLINDER & CRANKCASE 1

REF. NO.	PART NO.	DESCRIPTION	TLR	TXR	TJR	REMARKS
28	6G5-12416-00	VALVE, PRESSURE CONTROL	1	1	1	
29	90501-16M11	SPRING, COMPRESSION	1	1	1	
30	90480-20M05	GROMMET	1	1	1	
31	67F-1246A-01-9S	COVER 1	1	1	1	
32	67F-12435-A0	GASKET	1	1	1	
33	90119-06MA2	BOLT, WITH WASHER	3	3	3	
34	69J-11301-00	ANODE COVER ASSY	1	1	1	
35	67F-11325-01	.ANODE	1	1	1	
36	67F-11328-00	.GROMMET, ANODE	1	1	1	
37	90105-06M07	.BOLT, FLANGE	1	1	1	
38	90430-06M03	.GASKET	1	1	1	
39	97575-08540	BOLT, WITH WASHER	1	1	1	
40	67F-1243A-00	HOSE 1	1	1	1	
41	90465-11M10	CLAMP	1	1	1	
42	90467-20M15	CLIP	1	1	1	
43	68V-11351-00	GASKET, CYLINDER	1	1	1	
44	67F-42761-01	STOPPER	2	2	2	
45	97095-06025	BOLT	4	4	4	
46	92995-06600	WASHER	4	4	4	
47	68F-44533-01	DAMPER, UPPER MOUNT RUBBER	2	2	2	
48	5GH-13440-00	ELEMENT ASSY, OIL CLEANER	1	1	1	
49	90401-20007	BOLT, UNION	1	1	1	
50	90464-16001	CLAMP	1	1	1	




 68VA110-K030

FIG. 3 CRANKSHAFT & PISTON

REF. NO.	PART NO.	DESCRIPTION	TLR	TXR	TJR	REMARKS
1	68V-11411-00	CRANKSHAFT	1	1	1	
2	93102-48009	OIL SEAL	1	1	1	
3	93101-48002	OIL SEAL	1	1	1	
4	6D8-11416-00	PLANE BEARING, CRANKSHAFT 1	4	4	4	UR GREEN
	6D8-11416-10	PLANE BEARING, CRANKSHAFT 1	4	4	4	UR BLUE
	6D8-11416-20	PLANE BEARING, CRANKSHAFT 1	4	4	4	UR RED
5	6D8-11417-00	PLANE BEARING, CRANKSHAFT 2	5	5	5	UR YELLOW
	6D8-11417-10	PLANE BEARING, CRANKSHAFT 2	5	5	5	UR GREEN
	6D8-11417-20	PLANE BEARING, CRANKSHAFT 2	5	5	5	UR BLUE
	6D8-11417-30	PLANE BEARING, CRANKSHAFT 2	5	5	5	UR RED
6	6D8-11418-00	PLANE BEARING, CRANKSHAFT 3	1	1	1	UR GREEN
	6D8-11418-10	PLANE BEARING, CRANKSHAFT 3	1	1	1	UR BLUE
	6D8-11418-20	PLANE BEARING, CRANKSHAFT 3	1	1	1	UR RED
7	68V-W1164-02	PISTON/CON-ROD ASSY STD	4	4	4	
	68V-W1164-12	PISTON/CON-ROD ASSY(0.25MM OS)	4	4	4	AP
8	K1C-A3275-00	.BOLT, CONNECTING ROD	2	2	2	
9	6D8-11603-01	PISTON RING SET (STD)	4	4	4	
	6D8-11604-01	PISTON RING SET (0.25MM O/S)	4	4	4	AP
10	68V-11656-00	PLANE BEARING, CONNECTING ROD	8	8	8	UR YELLOW
	68V-11656-10	PLANE BEARING, CONNECTING ROD	8	8	8	UR GREEN
	68V-11656-20	PLANE BEARING, CONNECTING ROD	8	8	8	UR BLUE
	68V-11656-30	PLANE BEARING, CONNECTING ROD	8	8	8	UR RED

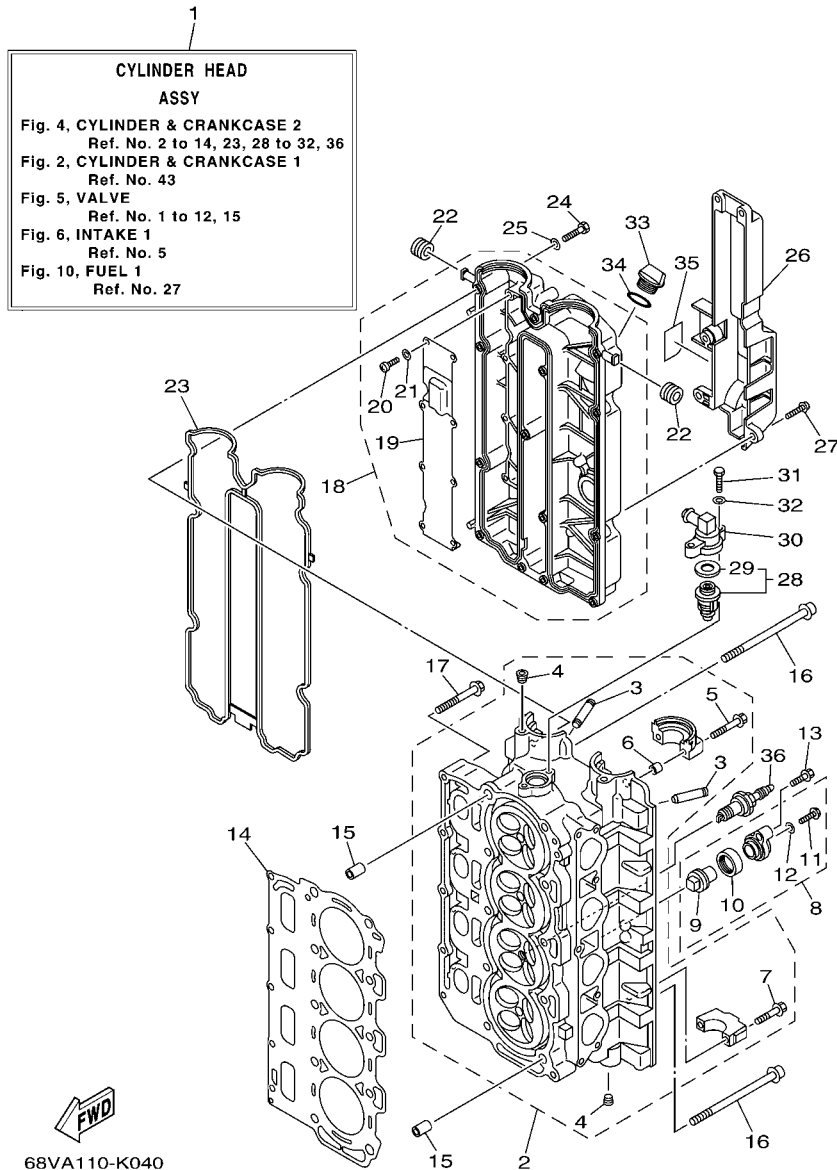
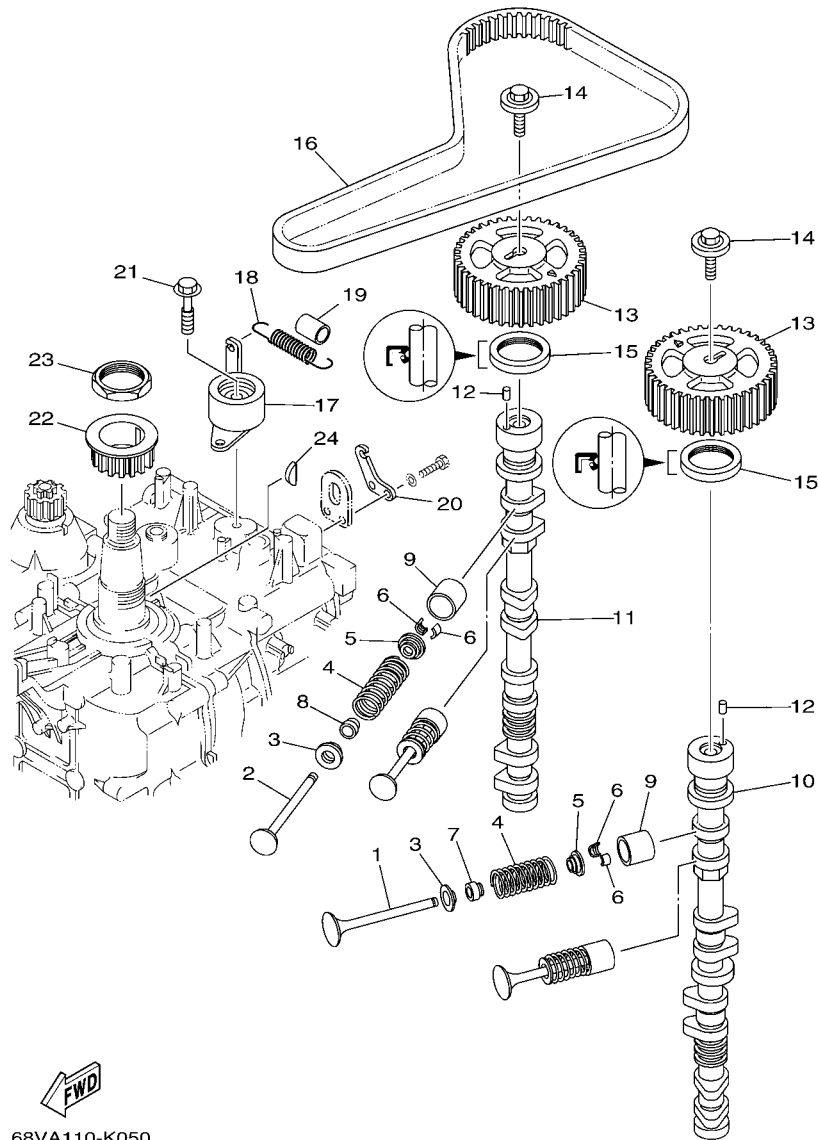


FIG. 4 CYLINDER & CRANKCASE 2

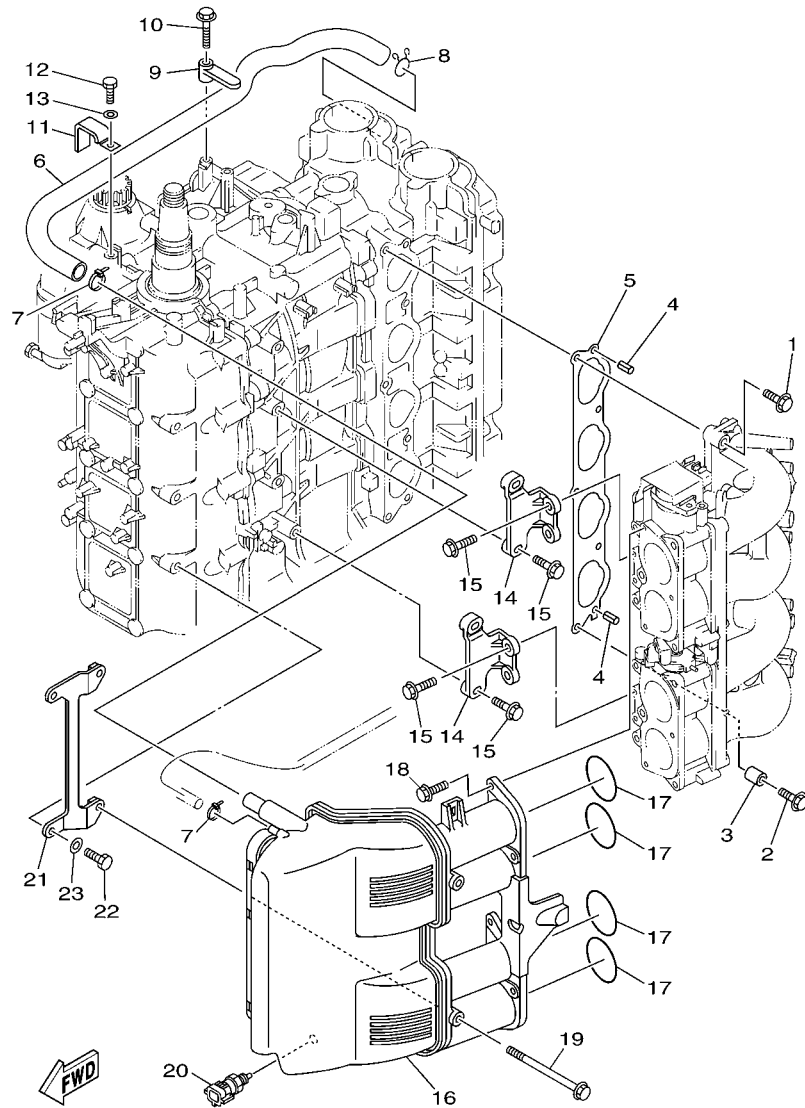
REF. NO.	PART NO.	DESCRIPTION	TLR	TXR	TJR	REMARKS
1	68V-W009A-06-9S	CYLINDER HEAD ASSY	1	1	1	
2	68V-11110-20-9S	CYLINDER HEAD ASSY	1	1	1	
3	67F-11133-10	.GUIDE, VALVE 1	16	16	16	
4	90344-51019	.PLUG, TAPER SCREW	4	4	4	
5	90119-07235	.BOLT/WASHER-CAM CAPS	4	4	4	
6	91809-08006	.PIN, DOWEL	4	4	4	
7	90119-07234	.BOLT, WITH WASHER	16	16	16	
8	69J-11301-00	ANODE COVER ASSY	2	2	2	
9	67F-11325-01	.ANODE	1	1	1	
10	67F-11328-00	.GROMMET, ANODE	1	1	1	
11	90105-06M07	.BOLT, FLANGE	1	1	1	
12	90430-06M03	.GASKET	1	1	1	
13	97575-08540	BOLT, WITH WASHER	2	2	2	
14	67F-11181-03	GASKET, CYLINDER HEAD 1	1	1	1	
15	90387-10M08	COLLAR	2	2	2	
16	90155-10005	SCREW, FLAT FILLISTER	10	10	10	
17	90119-08M91	BOLT, WITH WASHER	5	5	5	
18	6D8-11191-01-9S	COVER, CYLINDER HEAD 1	1	1	1	
19	67F-11168-00	.COVER, BREATHER	1	1	1	
20	98507-04008	.SCREW, PAN HEAD	8	8	8	
21	92907-04600	.WASHER	8	8	8	
22	90480-12314	GROMMET	2	2	2	
23	6D8-11356-01	SEAL, CYLINDER 2	1	1	1	
24	97095-06030	BOLT	14	14	14	
25	92995-06600	WASHER	14	14	14	
26	67F-11192-01	COVER, CYLINDER HEAD 2	1	1	1	
27	90159-06M29	SCREW, WITH WASHER	5	5	5	



68VA110-K050

FIG. 5 VALVE

REF. NO.	PART NO.	DESCRIPTION	TLR	TXR	TJR	REMARKS
9	6D8-12153-K0	LIFTER, VALVE (50)	16	16	16	UR
	6D8-12153-L0	LIFTER, VALVE (52)	16	16	16	UR
	6D8-12153-M0	LIFTER, VALVE (54)	16	16	16	UR
	6D8-12153-N0	LIFTER, VALVE (56)	16	16	16	UR
	6D8-12153-P0	LIFTER, VALVE (58)	16	16	16	UR
	6D8-12153-R0	LIFTER, VALVE (60)	16	16	16	UR
	6D8-12153-S0	LIFTER, VALVE (62)	16	16	16	UR
	6D8-12153-T0	LIFTER, VALVE (64)	16	16	16	UR
	6D8-12153-U0	LIFTER, VALVE (66)	16	16	16	UR
	6D8-12153-V0	LIFTER, VALVE (68)	16	16	16	UR
10	6D9-12171-00	CAMSHAFT 1	1	1	1	
11	6D8-12181-00	CAMSHAFT 2	1	1	1	
12	93605-10108	PIN, DOWEL	2	2	2	
13	67F-11537-00	GEAR, DRIVEN	2	2	2	
14	90119-10050	BOLT, WITH WASHER	2	2	2	
15	93102-38008	OIL SEAL	2	2	2	
16	67F-46241-00	BELT	1	1	1	
17	67F-11590-00	TENSIONER ASSY	1	1	1	
18	90506-16M39	SPRING, TENSION	1	1	1	
19	90445-15M03	HOSE (L23)	1	1	1	
20	67F-11595-00	PLATE, VALVE	1	1	1	
21	90119-10M72	BOLT, WITH WASHER	1	1	1	
22	6D8-11536-00	GEAR, DRIVE	1	1	1	
23	90170-40008	NUT	1	1	1	
24	90280-04008	KEY, WOODRUFF	1	1	1	



68VA110-K060

FIG. 6 INTAKE 1

REF. NO.	PART NO.	DESCRIPTION	TLR	TXR	TJR	REMARKS
1	97575-08540	BOLT, WITH WASHER	4	4	4	
2	90119-08M68	BOLT, WITH WASHER	1	1	1	
3	90387-08M32	COLLAR	1	1	1	
4	91690-50014	PIN, SPRING	2	2	2	
5	68V-13645-00	GASKET, MANIFOLD 1	1	1	1	
6	67F-15373-00	PIPE, BREATHER	1	1	1	
7	90465-11M10	CLAMP	2	2	2	
8	90467-20M15	CLIP	1	1	1	
9	6D8-82544-00	CLAMP	1	1	1	
10	95895-06025	BOLT, FLANGE	1	1	1	
11	90465-12M03	CLAMP	1	1	1	
12	97095-06012	BOLT	1	1	1	
13	92995-06600	WASHER	1	1	1	
14	68V-14291-00	BRACKET 1	2	2	2	
15	90119-06M49	BOLT, WITH WASHER	8	8	8	
16	68V-14440-00	SILENCER ASSY, INTAKE	1	1	1	
17	93210-48MJ9	O-RING	4	4	4	
18	90119-06M82	BOLT, WITH WASHER	6	6	6	
19	90119-06ME1	BOLT, WITH WASHER	2	2	2	
20	65L-85886-00	THERMOSENSOR	1	1	1	
21	68V-14292-00	BRACKET 2	1	1	1	
22	97095-08020	BOLT	2	2	2	
23	92995-08600	WASHER	2	2	2	

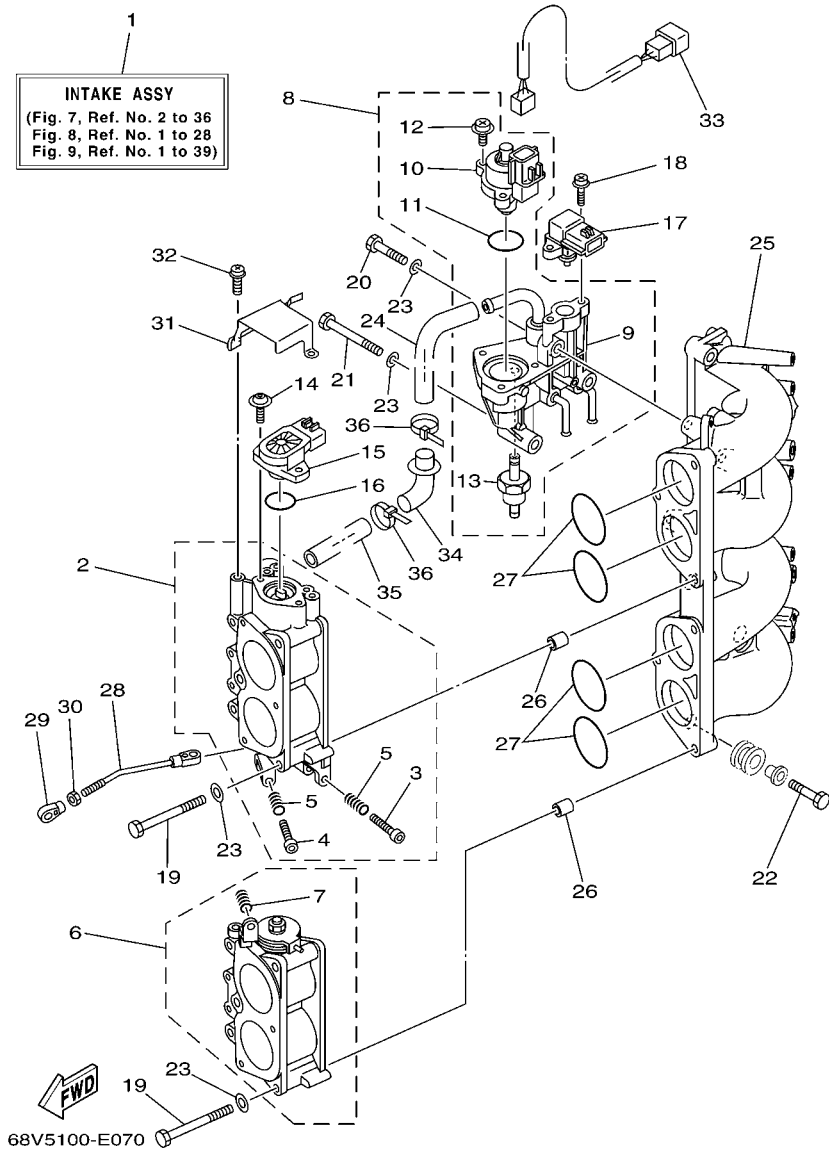
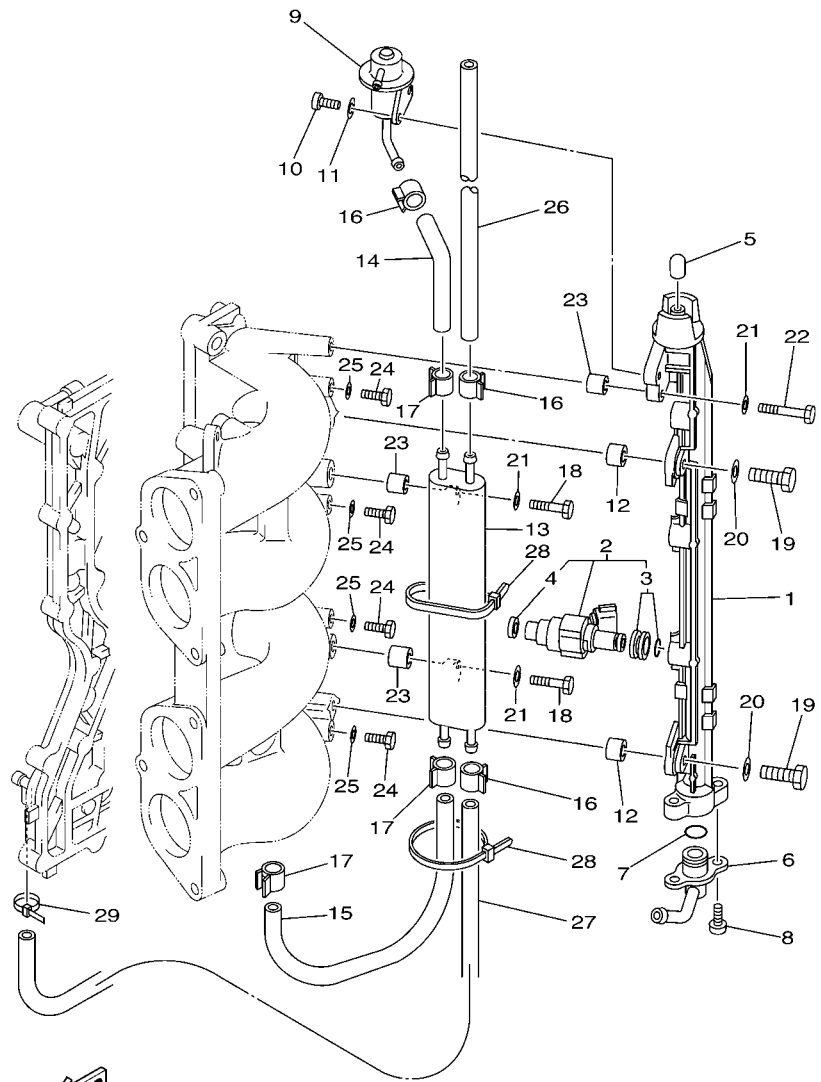


FIG. 7 INTAKE 2

REF. NO.	PART NO.	DESCRIPTION	TLR	TXR	TJR	REMARKS
1	68V-14200-40	INTAKE ASSY	1	1	1	
2	68V-13751-01	BODY, THROTTLE 1	1	1	1	
3	68V-14323-00	.SCREW, AIR ADJUSTING	1	1	1	
4	68V-14321-00	.SCREW, THROTTLE	1	1	1	
5	68V-14331-00	.SPRING, THROTTLE VALVE	2	2	2	
6	68V-13752-01	BODY, THROTTLE 2	1	1	1	
7	68V-14331-00	.SPRING, THROTTLE VALVE	1	1	1	
8	68V-13105-00	CONTROL VALVE ASSY	1	1	1	
9	68V-14960-00	.BODY ASSY	1	1	1	
10	68V-1312A-00	.VALVE, CONTROL	1	1	1	
11	68V-13473-00	.O-RING	1	1	1	
12	68V-81146-01	.SCREW 2	3	3	3	
13	68V-14511-00	.FILTER ASSY	1	1	1	
14	68V-81145-01	SCREW 1	2	2	2	
15	68V-85885-00	THROTTLE SENSOR ASSY	1	1	1	
16	68V-8182L-00	O-RING 1	1	1	1	
17	68V-82380-00	SENSOR, PRESSURE	1	1	1	
18	68V-81147-00	SCREW 3	2	2	2	
19	68V-14496-00	BOLT	6	6	6	
20	68V-13574-00	BOLT 2	1	1	1	
21	68V-13573-00	BOLT 1	2	2	2	
22	68V-14777-00	BOLT	3	3	3	
23	68V-14475-00	WASHER	9	9	9	
24	68V-14419-10	PIPE	1	1	1	
25	68V-13641-00-94	MANIFOLD 1	1	1	1	
26	99530-10114	PIN, DOWEL	4	4	4	
27	93210-48MG8	O-RING	4	4	4	



68V1010-2080

FIG. 8 FUEL INJECTION NOZZLE

REF. NO.	PART NO.	DESCRIPTION	TLR	TXR	TJR	REMARKS
1	68V-13160-00	DELIVERY PIPE ASSY 1	1	1	1	
2	68V-8A360-00	INJECTOR UNIT	4	4	4	
3	68V-1410B-00	.PACKING KIT	1	1	1	
4	68V-13766-00	.RUBBER, INJECTOR	1	1	1	
5	68V-14225-00	CAP	1	1	1	
6	68V-13435-00	NIPPLE	1	1	1	
7	68V-14397-00	O-RING	1	1	1	
8	68V-81147-00	SCREW 3	2	2	2	
9	68V-13906-01	REGULATOR, PRESSURE	1	1	1	
10	68V-14565-00	SCREW	2	2	2	
11	68V-14356-00	WASHER, SPRING	2	2	2	
12	68V-14264-00	COLLAR	2	2	2	
13	69J-21841-02	COOLER	1	1	1	
14	68V-13971-00	PIPE, FUEL 1	1	1	1	
15	68V-13972-00	PIPE, FUEL 2	1	1	1	
16	68V-24519-00	CLIP	3	3	3	
17	68V-2411M-00	CLIP	3	3	3	
18	68V-14777-00	BOLT	2	2	2	
19	68V-14428-00	BOLT	2	2	2	
20	68V-14475-00	WASHER	2	2	2	
21	68V-14357-00	WASHER, PLAIN	3	3	3	
22	68V-14446-00	BOLT	1	1	1	
23	68V-14265-00	COLLAR	3	3	3	
24	97095-06010	BOLT	4	4	4	
25	90430-06014	GASKET	4	4	4	
26	68V-2247A-10	HOSE 1	1	1	1	
27	68V-2247B-00	HOSE 2	1	1	1	

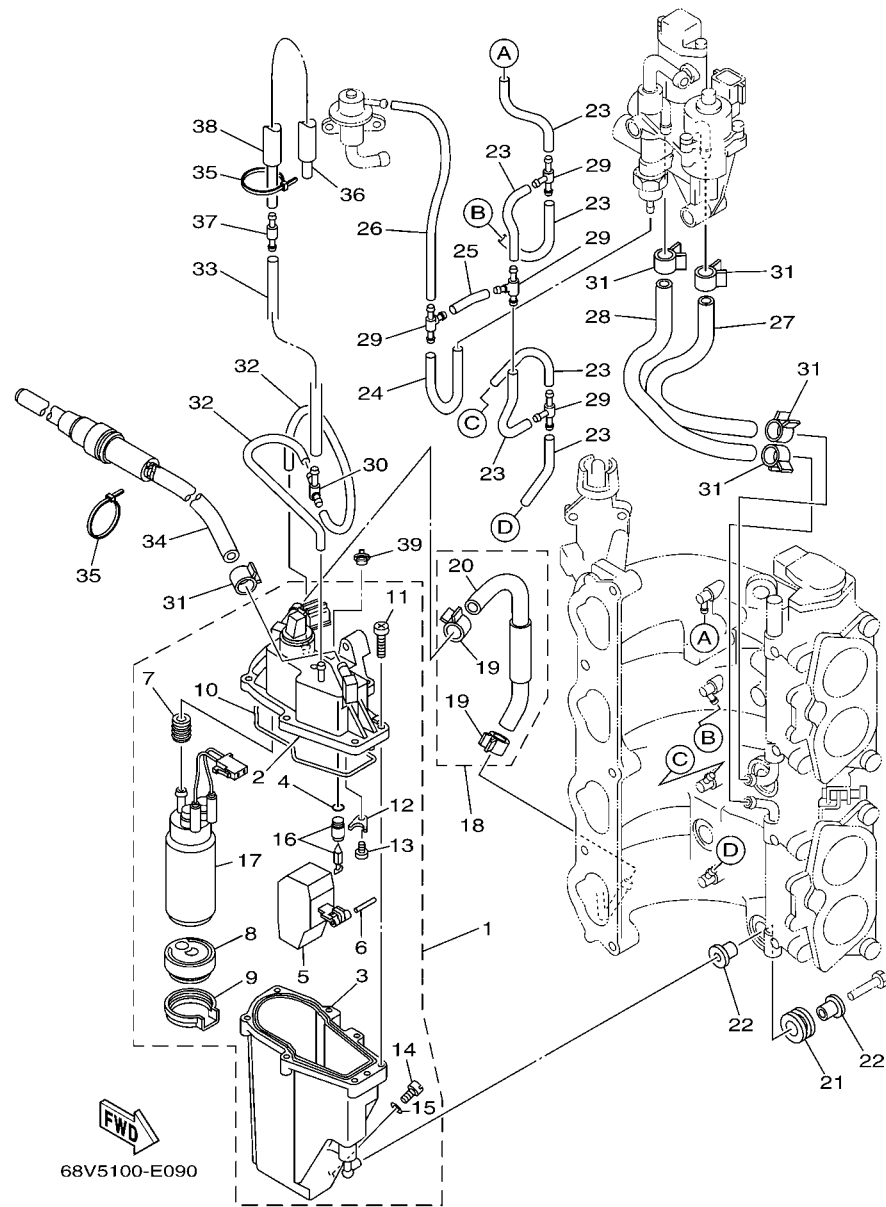


FIG. 9 FUEL INJECTION PUMP

REF. NO.	PART NO.	DESCRIPTION	TLR	TXR	TJR	REMARKS
1	68V-14180-03	FLOAT CHAMBER ASSY	1	1	1	
2	68V-14182-01	.COVER, FLOAT CHAMBER	1	1	1	
3	68V-14181-00	.BODY, FLOAT CHAMBER 1	1	1	1	
4	68V-13769-00	.O-RING	1	1	1	
5	68V-14985-00	.FLOAT	1	1	1	
6	68V-14386-00	.PIN, FLOAT	1	1	1	
7	68V-13781-10	.DAMPER, PUMP	1	1	1	
8	68V-13915-00	.FILTER	1	1	1	
9	68V-13784-00	.COVER, PUMP	1	1	1	
10	68V-14984-00	.GASKET, FLOAT CHAMBER	1	1	1	
11	68V-14567-00	.SCREW	7	7	7	
12	68V-14255-00	.PLATE	1	1	1	
13	68V-14592-00	.SCREW	1	1	1	
14	68V-14191-00	.PLUG, DRAIN	1	1	1	
15	68V-14126-00	.GASKET	1	1	1	
16	68V-14546-00	.VALVE, NEEDLE	1	1	1	
17	68V-13907-03	.FUEL PUMP COMP.	1	1	1	
18	68V-14807-11	HOSE COMP.	1	1	1	
19	68V-13577-00	.CLIP	2	2	2	
20	68V-13973-10	.PIPE, FUEL 3	1	1	1	
21	68V-13593-00	DAMPER	3	3	3	
22	68V-13716-00	COLLAR	6	6	6	
23	68V-13542-00	HOSE, VACUUM SENSING 1	6	6	6	
24	68V-13533-00	HOSE, VACUUM SENSING 4	1	1	1	
25	68V-13544-00	HOSE, VACUUM SENSING 2	1	1	1	
26	68V-13532-01	HOSE, VACUUM SENSING 3	1	1	1	
27	68V-13545-00	HOSE 1	1	1	1	

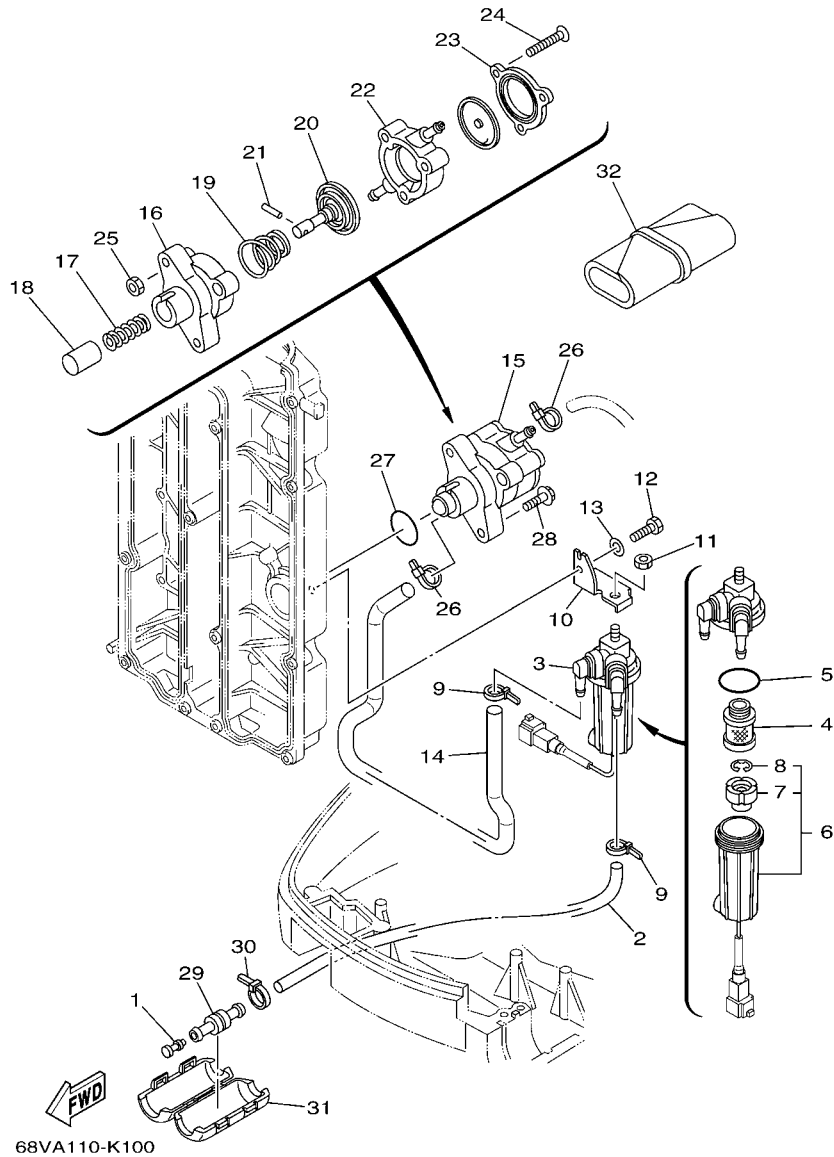


FIG. 10 FUEL 1

REF. NO.	PART NO.	DESCRIPTION	TLR	TXR	TJR	REMARKS
1	689-85547-00	DAMPER	1	1	1	
2	90445-13015	HOSE (L1300)	1	1	1	
3	6D8-24560-00	FILTER ASSY	1	1	1	
4	6D8-24563-00	.ELEMENT, FILTER	1	1	1	
5	6D8-24564-00	.GASKET	1	1	1	
6	6D8-24562-00	.CUP, FILTER	1	1	1	
7	6D8-24469-00	..FLOAT, WATER LEVEL	1	1	1	
8	6D8-24519-00	..CLIP	1	1	1	
9	90465-11M10	CLAMP	2	2	2	
10	60C-24566-00	BRACKET, FILTER	1	1	1	
11	95380-08600	NUT	1	1	1	
12	97095-06016	BOLT	1	1	1	
13	92995-06600	WASHER	1	1	1	
14	6D8-24311-00	PIPE, FUEL 1	1	1	1	
15	6D8-24410-00	FUEL PUMP ASSY	1	1	1	
16	68V-24412-00	.BODY 1	1	1	1	
17	68V-24454-00	.SPRING	1	1	1	
18	63P-13131-00	.PLUNGER	1	1	1	
19	68V-24423-00	.SPRING, DIAPHRAGM	1	1	1	
20	68V-24411-00	.DIAPHRAGM	1	1	1	
21	68V-24374-00	.PIN	1	1	1	
22	68V-24413-00	.BODY 2	1	1	1	
23	6D8-24414-00	.BODY 3	1	1	1	
24	68V-24444-00	.SCREW	3	3	3	
25	68V-24149-00	.NUT	3	3	3	
26	90465-11M10	CLAMP	2	2	2	
27	93210-30682	O-RING	1	1	1	

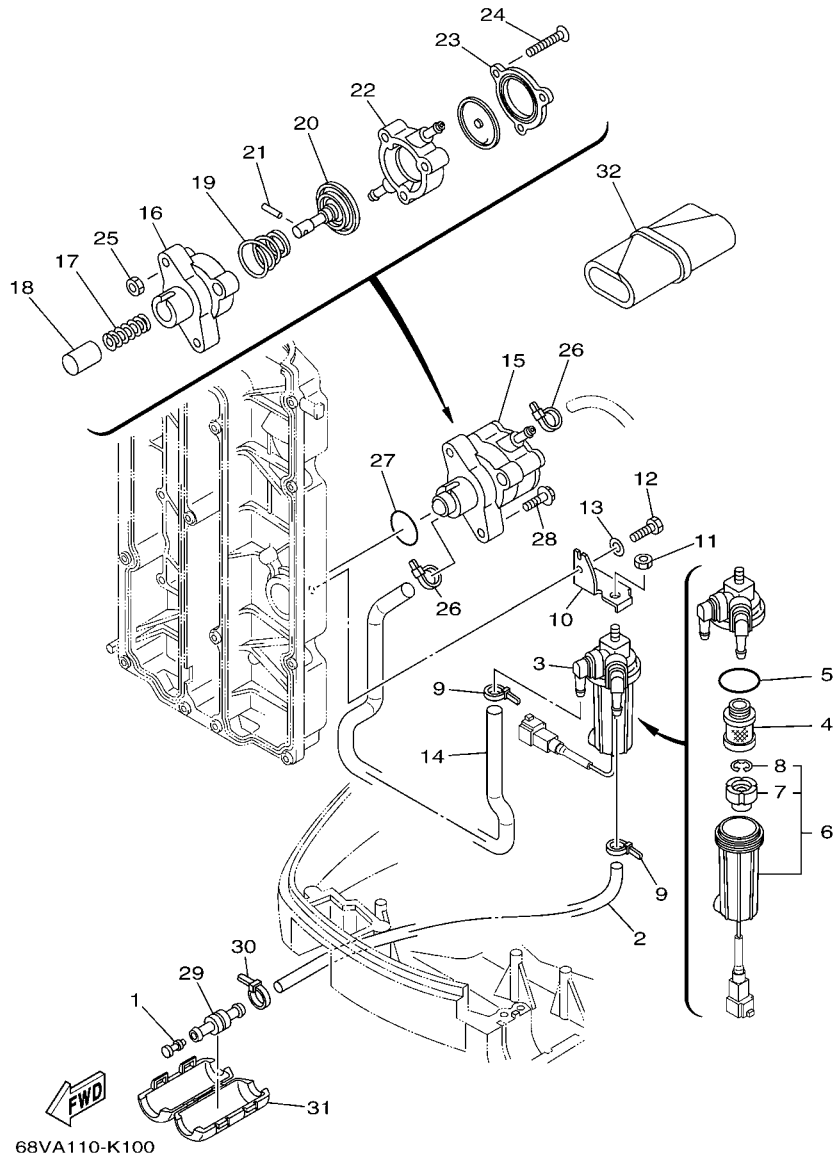
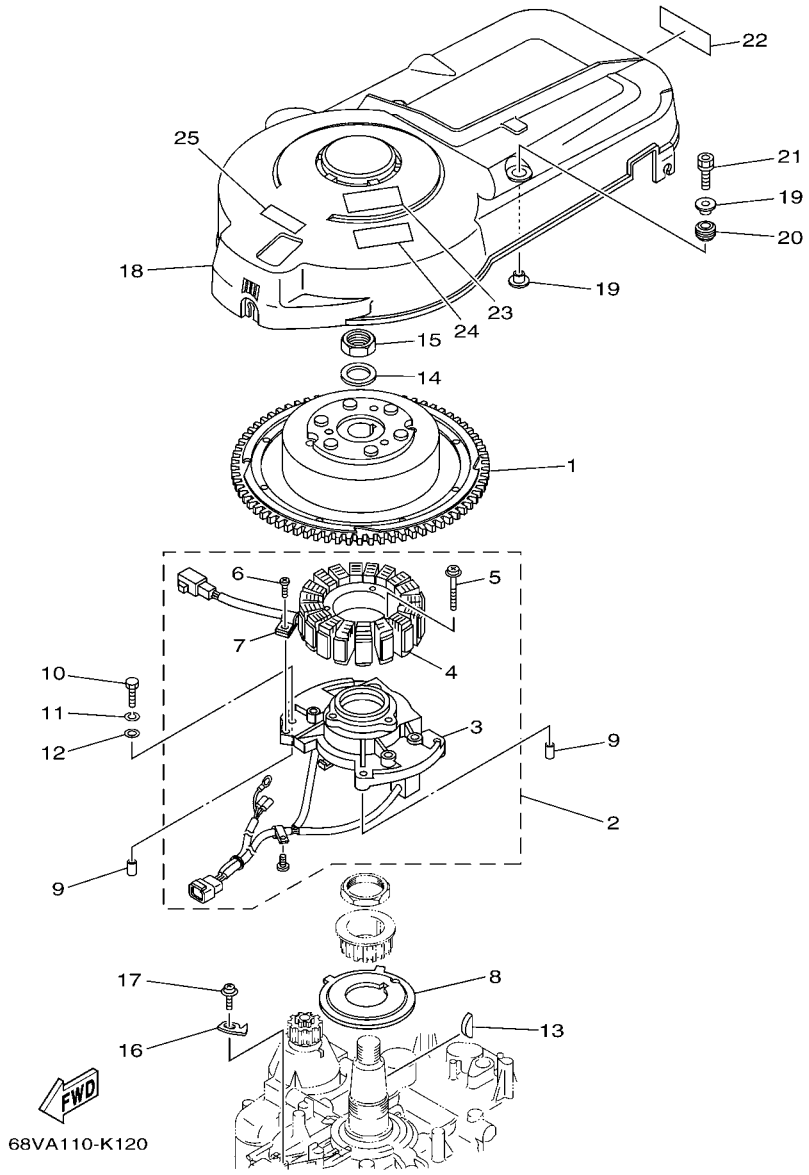


FIG. 10 FUEL 1

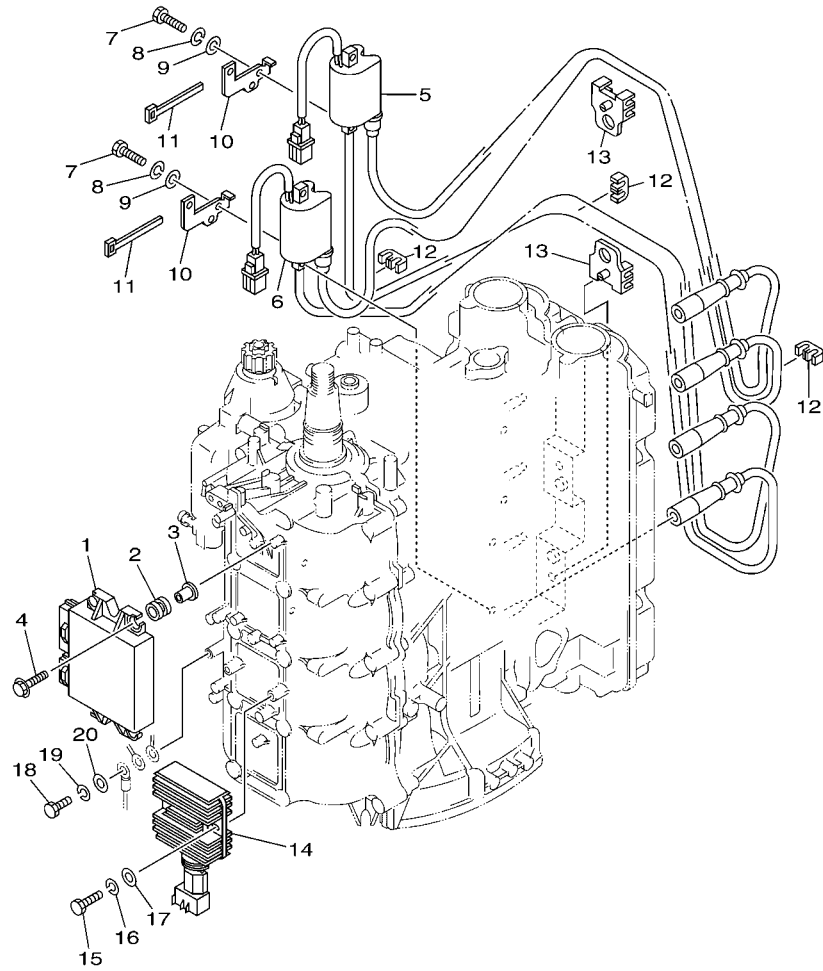
REF. NO.	PART NO.	DESCRIPTION	TLR	TXR	TJR	REMARKS
28	90119-06M83	BOLT, WITH WASHER	2	2	2	
29	6R3-24377-10	PIPE, JOINT 2	1	1	1	
30	90465-11M10	CLAMP	1	1	1	
31	68V-24452-00	COVER	1	1	1	
32	67F-28100-01	TOOL KIT	1	1	1	AP
<hr/>						
<hr/>						
<hr/>						
<hr/>						
<hr/>						
<hr/>						
<hr/>						
<hr/>						
<hr/>						
<hr/>						
<hr/>						



68VA110-K120

FIG. 12 GENERATOR

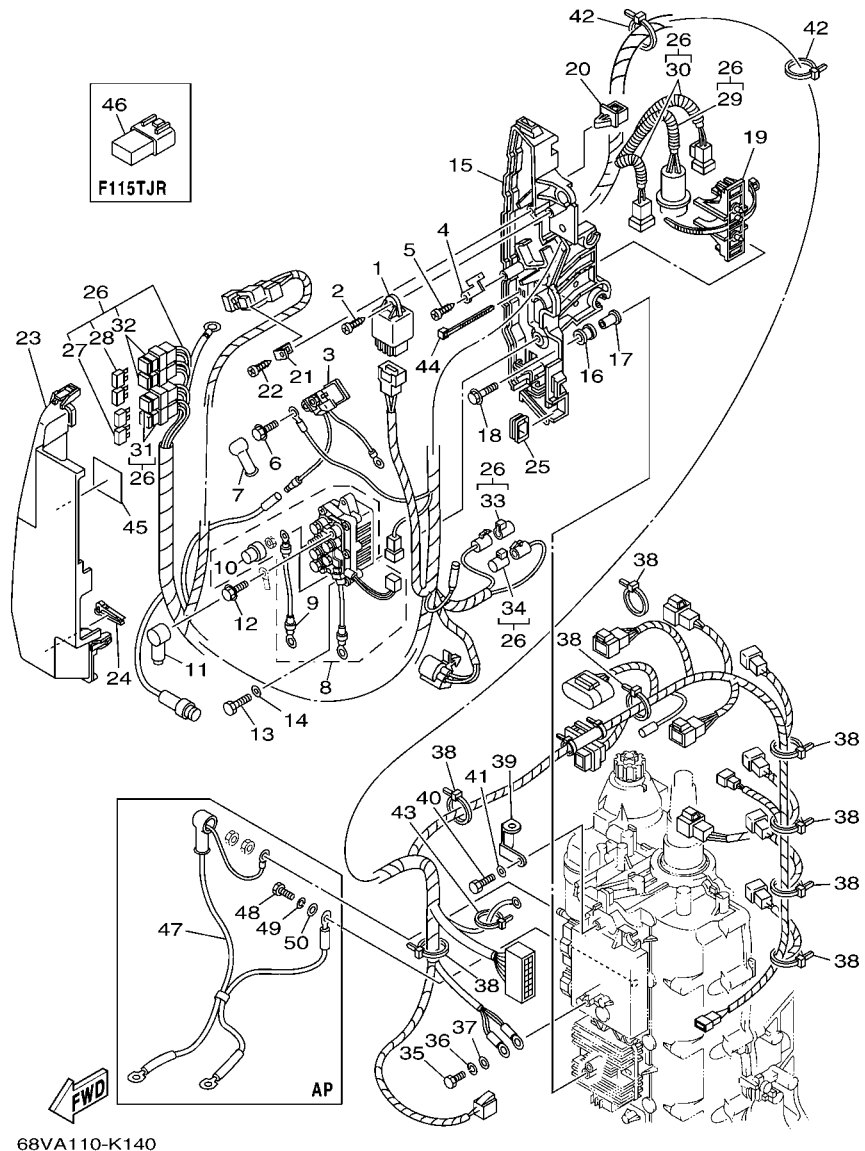
REF. NO.	PART NO.	DESCRIPTION	TLR	TXR	TJR	REMARKS
1	68V-81450-00	ROTOR ASSY	1	1	1	
2	68V-81460-00	BASE ASSY	1	1	1	
3	68V-85580-00	.COIL, PULSER	1	1	1	
4	68V-81410-00	.STATOR ASSY	1	1	1	
5	63D-81345-20	.SCREW, WITH WASHER (M6X30)	3	3	3	
6	97607-04110	.SCREW, WITH WASHER	1	1	1	
7	445-81328-20	.CLAMP	1	1	1	
8	68V-81673-00	ROTOR	1	1	1	
9	99530-08012	PIN, DOWEL	2	2	2	
10	97095-06030	BOLT	4	4	4	
11	92995-06100	WASHER, SPRING	4	4	4	
12	92995-06600	WASHER	4	4	4	
13	90280-04M08	KEY, WOODRUFF	1	1	1	
14	90201-24014	WASHER, PLATE	1	1	1	
15	90179-24002	NUT	1	1	1	
16	6D8-81332-00	PLATE, TIMING	1	1	1	
17	97985-06210	SCREW, WITH WASHER	1	1	1	
18	67F-81337-01	COVER, FLYWHEEL	1	1	1	
19	90387-06M71	COLLAR	4	4	4	
20	90480-15M31	GROMMET	2	2	2	
21	90119-06M92	BOLT, WITH WASHER	2	2	2	
22	68V-13437-42	MARK, CAUTION	1	1	1	
23	6AH-81995-40	LABEL, WARNING	1	1	1	
24	6AH-81994-40	LABEL, SAFETY	1	1	1	
25	6AG-81996-00	MARK	1	1	1	



68V7100-G132

FIG. 13 ELECTRICAL 1

REF. NO.	PART NO.	DESCRIPTION	TLR	TXR	TJR	REMARKS
1	68V-8591A-43	ENGINE CONTROL UNIT ASSY	1	1	1	
2	68V-82317-00	DAMPER, IGNITION COIL	4	4	4	
3	90387-06119	COLLAR	4	4	4	
4	90119-06M59	BOLT, WITH WASHER	4	4	4	
5	68V-82310-00	IGNITION COIL ASSY	1	1	1	
6	68V-82310-10	IGNITION COIL ASSY	1	1	1	
7	97095-06025	BOLT	4	4	4	
8	92995-06100	WASHER, SPRING	4	4	4	
9	92995-06600	WASHER	4	4	4	
10	68V-82388-00	PLATE	2	2	2	
11	90464-06001	CLAMP	2	2	2	
12	67F-82361-00	CLAMP, CORD	3	3	3	
13	67F-82362-00	CLAMP, CORD 2	2	2	2	
14	68V-81960-10	RECTIFIER & REGULATOR ASSY	1	1	1	
15	97095-06025	BOLT	2	2	2	
16	92995-06100	WASHER, SPRING	2	2	2	
17	92995-06600	WASHER	2	2	2	
18	97095-06016	BOLT	1	1	1	
19	92995-06100	WASHER, SPRING	1	1	1	
20	92995-06600	WASHER	1	1	1	



68VA110-K140

FIG. 14 ELECTRICAL 2

REF. NO.	PART NO.	DESCRIPTION	TLR	TXR	TJR	REMARKS
1	68V-81950-00	RELAY ASSY	1	1	1	
2	97780-60625	SCREW, TAPPING	1	1	1	
3	68V-8194A-00	RELAY	1	1	1	
4	68V-81953-00	STAY, RELAY	1	1	1	
5	97780-60620	SCREW, TAPPING	1	1	1	
6	97595-06610	BOLT, WITH WASHER	2	2	2	
7	6G5-82119-00	COVER, LEAD WIRE	2	2	2	
8	68V-8195B-01	RELAY ASSY	1	1	1	
9	68V-81949-00	.WIRE, LEAD	1	1	1	
10	68V-82532-00	.CAP	1	1	1	
11	682-82119-01	COVER, LEAD WIRE	2	2	2	
12	97595-06610	BOLT, WITH WASHER	2	2	2	
13	97013-06020	BOLT	2	2	2	
14	92903-06600	WASHER, PLATE	2	2	2	
15	68V-81948-02	BRACKET	1	1	1	
16	6A0-82317-00	DAMPER, IGNITION COIL	5	5	5	
17	90387-06119	COLLAR	5	5	5	
18	90119-06M59	BOLT, WITH WASHER	5	5	5	
19	68V-82594-00	CLAMP	1	1	1	
20	90464-12M58	CLAMP	1	1	1	
21	68V-85548-00	HOLDER	1	1	1	
22	97780-60620	SCREW, TAPPING	1	1	1	
23	68V-81942-03	COVER	1	1	1	
24	67F-2812A-00	PULLER, FUSE	1	1	1	
25	6D8-81518-00	GROMMET	1	1	1	
26	68V-82590-50	WIRE HARNESS ASSY	1	1	1	
27	67F-82151-00	.FUSE (20A)	4	4	4	

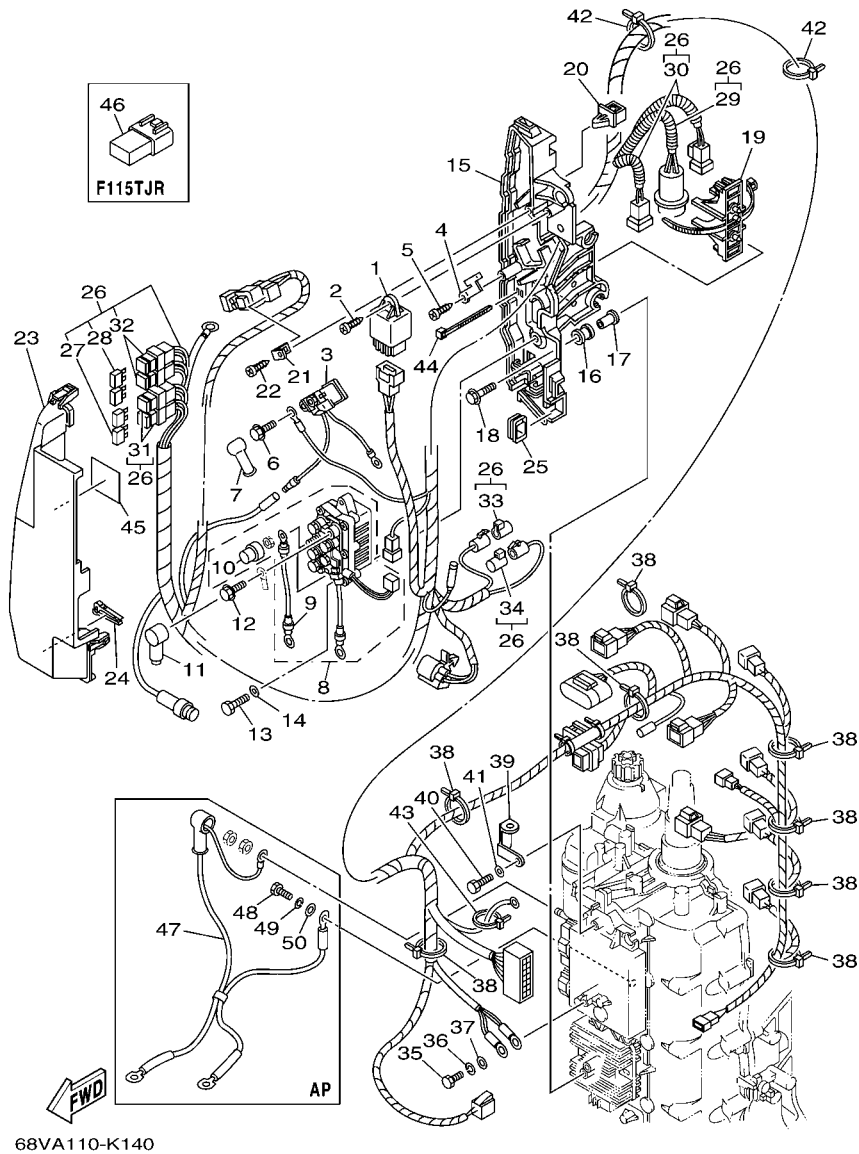
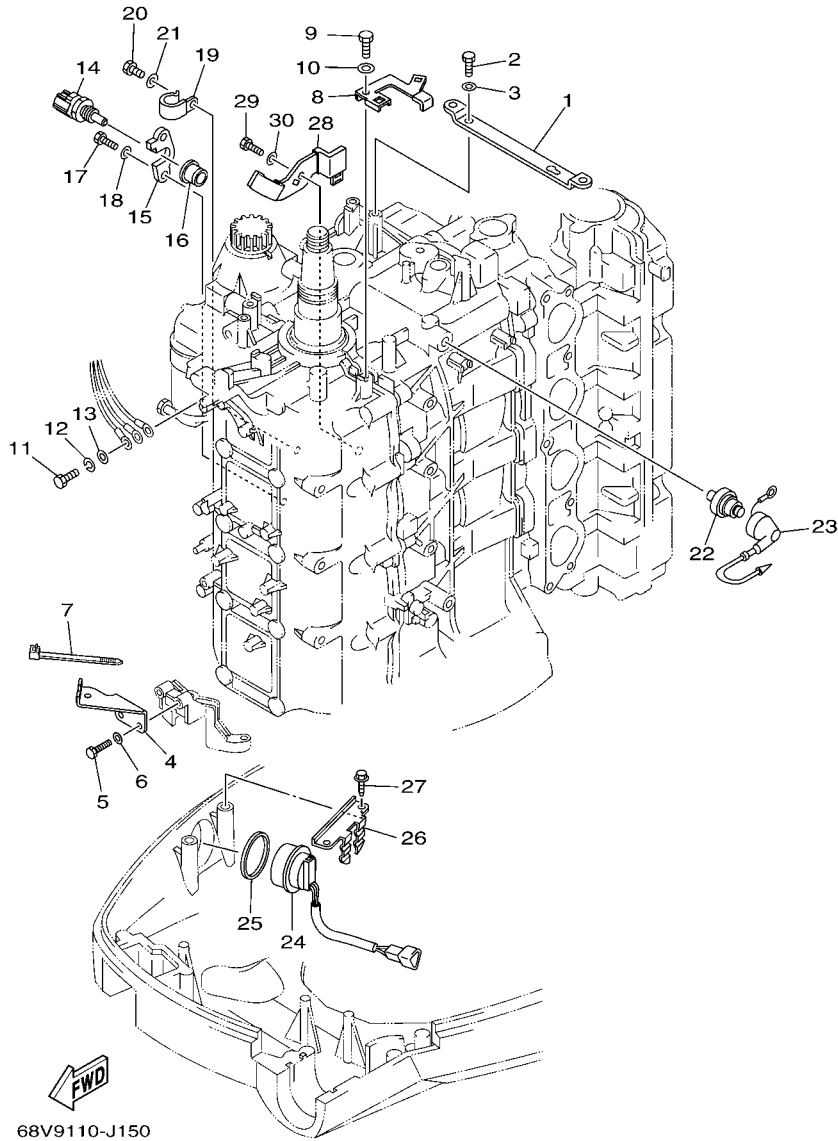


FIG. 14 ELECTRICAL 2

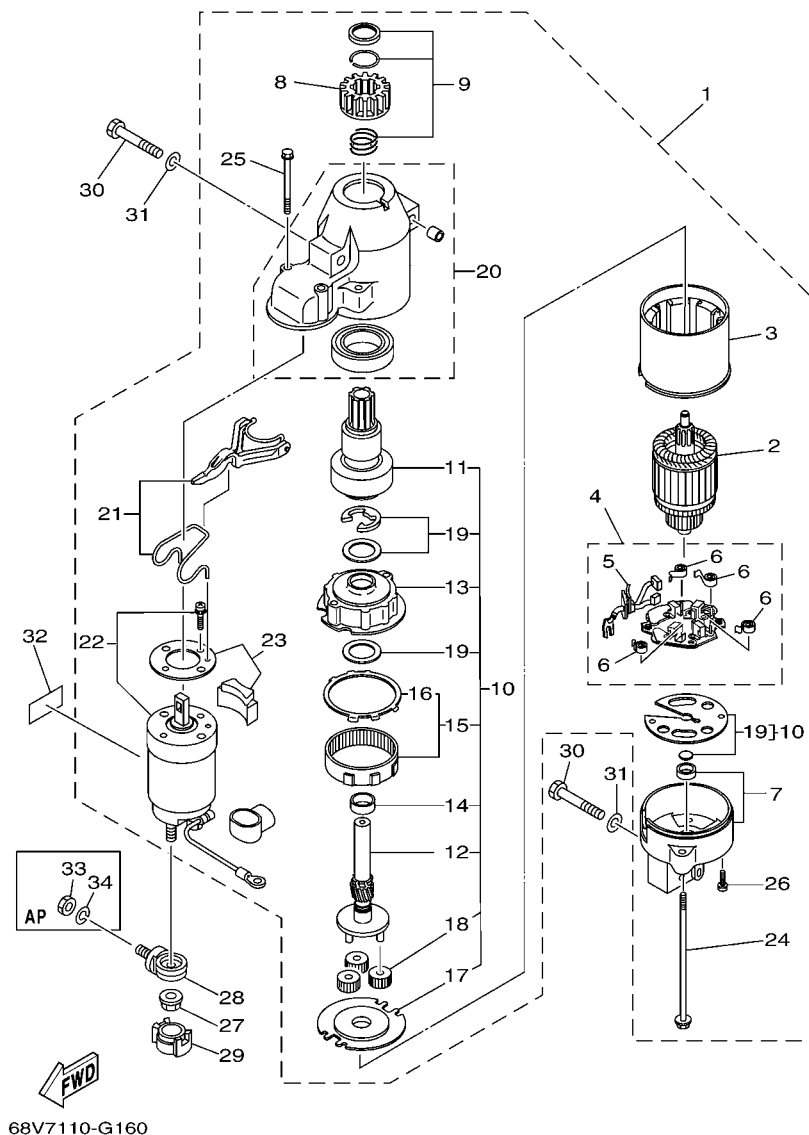
REF. NO.	PART NO.	DESCRIPTION	TLR	TXR	TJR	REMARKS
28	67F-82151-10	.FUSE (30A)	4	4	4	
29	90447-10003	.TUBE	1	1	1	
30	90447-07007	.TUBE	2	2	2	
31	67F-8215B-10	.CAP (YELLOW)	2	2	2	
32	67F-8215B-20	.CAP (GREEN)	2	2	2	
33	6P2-82582-00	.CAP 1 (FEMALE)	1	1	1	
34	6P2-82582-10	.CAP 1 (MALE)	1	1	1	
35	97095-06016	BOLT	1	1	1	
36	92995-06100	WASHER, SPRING	1	1	1	
37	92995-06600	WASHER	1	1	1	
38	90465-13M18	CLAMP	9	9	9	
39	6D8-82581-01	STAY, CORD CLAMP	1	1	1	
40	97095-06014	BOLT	1	1	1	
41	92995-06600	WASHER	1	1	1	
42	90465-11M52	CLAMP	2	2	2	
43	90465-13M18	CLAMP	1	1	1	
44	90465-13M18	CLAMP	2	2	2	
45	68V-81919-10	GRAPHIC, REGULATOR	1	1	1	
46	68V-82582-10	COVER, WIRE HARNESS			1	FOR JET-DRIVE
47	68V-82105-00	WIRE HARNESS	1	1	1	AP
48	97013-06020	BOLT	1	1	1	AP
49	92903-06100	WASHER, SPRING	1	1	1	AP
50	92903-06600	WASHER, PLATE	1	1	1	AP



68V9110-J150

FIG. 15 ELECTRICAL 3

REF. NO.	PART NO.	DESCRIPTION	TLR	TXR	TJR	REMARKS
1	67F-8132G-01	PLATE	1	1	1	
2	97095-06016	BOLT	2	2	2	
3	92995-06600	WASHER	2	2	2	
4	68V-81528-00	CLAMP 1	1	1	1	
5	97095-06016	BOLT	2	2	2	
6	92995-06600	WASHER	2	2	2	
7	90465-13M18	CLAMP	1	1	1	
8	68V-82588-11	PLATE	1	1	1	
9	97095-06012	BOLT	1	1	1	
10	92995-06600	WASHER	1	1	1	
11	97095-06016	BOLT	1	1	1	
12	92995-06100	WASHER, SPRING	1	1	1	
13	92995-06600	WASHER	1	1	1	
14	67F-85790-00	THERMOSENSOR ASSY	1	1	1	
15	67F-85757-00	RETAINER	1	1	1	
16	68V-85753-00	GASKET, SENDER UNIT	1	1	1	
17	97095-06016	BOLT	2	2	2	
18	92995-06600	WASHER	2	2	2	
19	90465-06M86	CLAMP	1	1	1	
20	97095-06012	BOLT	1	1	1	
21	92995-06600	WASHER	1	1	1	
22	68V-82504-00	OIL PRESSURE SWITCH ASSY	1	1	1	
23	68V-81315-00	LEAD WIRE ASSY	1	1	1	
24	63D-82563-10	TRIM & TILT SWITCH ASSY	1	1	1	
25	6E5-82587-00	GASKET	1	1	1	
26	67F-83614-00	BRACKET	1	1	1	
27	90109-06M86	BOLT	2	2	2	



68V7110-G160

FIG. 16 STARTING MOTOR

REF. NO.	PART NO.	DESCRIPTION	TLR	TXR	TJR	REMARKS
1	68V-81800-01	STARTING MOTOR ASSY	1	1	1	
2	67F-81850-00	.ARMATURE ASSY	1	1	1	
3	67F-81810-00	.STATOR ASSY	1	1	1	
4	68F-81840-00	.BRUSH HOLDER ASSY	1	1	1	
5	67F-81801-00	..BRUSH SET	1	1	1	
6	67F-81813-00	..SPRING, BRUSH	4	4	4	
7	68F-81820-00	.REAR BRACKET ASSY	1	1	1	
8	67F-81808-00	.PINION ASSY	1	1	1	
9	67F-81857-00	.PINION STOPPER SET	1	1	1	
10	67F-81807-00	.GEAR ASSY, STARTING MOTOR	1	1	1	
11	67F-81832-00	..CLUTCH, OVER RUN	1	1	1	
12	67F-81836-00	..SHAFT, PINION	1	1	1	
13	67F-81821-00	..BRACKET, CENTER 1	1	1	1	
14	67F-81841-00	..BEARING	1	1	1	
15	67F-81891-00	..GEAR, RING	1	1	1	
16	67F-8183R-00	...GASKET	1	1	1	
17	67F-81830-00	..BRACKET, CENTER 2	1	1	1	
18	60V-8183T-00	..GEAR, IDLER	3	3	3	
19	67F-81809-00	..WASHER KIT	1	1	1	
20	67F-81842-00	.COVER	1	1	1	
21	67F-81839-00	.LEVER ASSY	1	1	1	
22	68V-81941-01	.STARTER RELAY ASSY	1	1	1	
23	67F-81869-00	.COVER, DUST	1	1	1	
24	6K7-81826-11	.BOLT	2	2	2	
25	67F-81828-00	.BOLT 2	2	2	2	
26	67F-81846-00	.SCREW	2	2	2	
27	90179-08003	NUT	1	1	1	

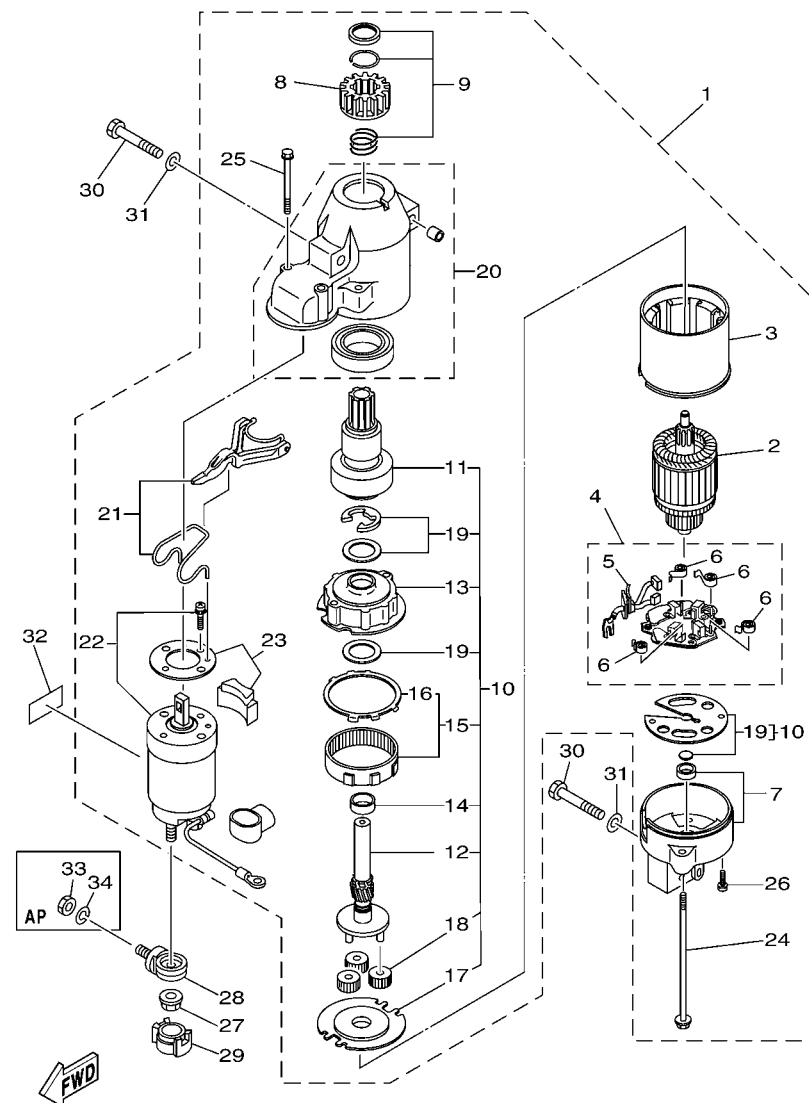


FIG. 16 STARTING MOTOR

REF. NO.	PART NO.	DESCRIPTION	TLR	TXR	TJR	REMARKS
28	60V-81925-00	TERMINAL	1	1	1	
29	68F-82582-00	COVER, WIRE HARNESS	1	1	1	
30	97013-08045	BOLT	3	3	3	
31	92903-08600	WASHER, PLATE	3	3	3	
32	67F-83627-01	LABEL, CAUTION 7	1	1	1	
33	95333-08600	NUT	1	1	1	AP
34	92903-08100	WASHER, SPRING	1	1	1	AP

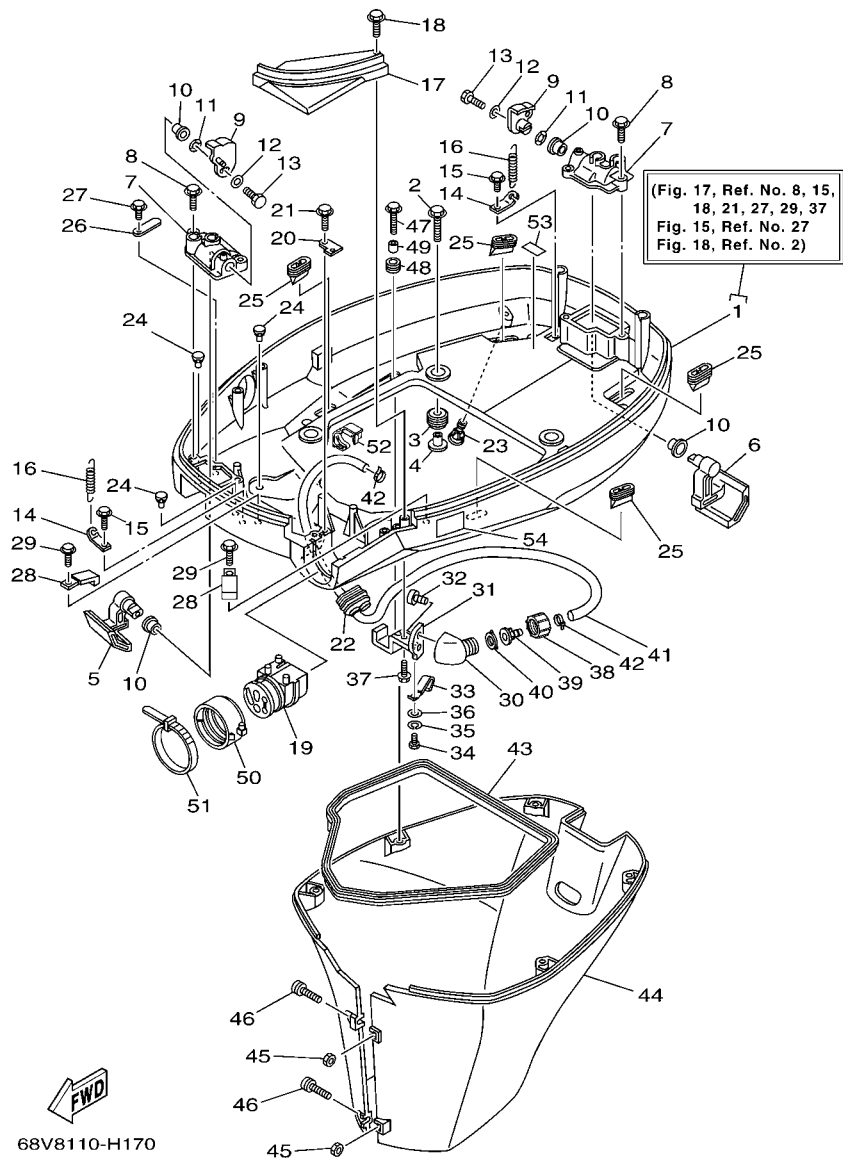


FIG. 17 BOTTOM COWLING

REF. NO.	PART NO.	DESCRIPTION	TLR	TXR	TJR	REMARKS
1	68V-42710-01-8D	BOTTOM COWLING ASSY	1	1	1	
2	90119-08M22	BOLT, WITH WASHER	4	4	4	
3	90480-22M15	GROMMET	4	4	4	
4	90387-08M37	COLLAR	4	4	4	
5	67F-42815-00-8D	LEVER, CLAMP	1	1	1	
6	67F-42816-00-8D	LEVER, CLAMP	1	1	1	
7	67F-42828-00-8D	PLATE, CLAMP	2	2	2	
8	90109-06M82	BOLT	4	4	4	
9	68V-42818-01	LEVER, CLAMP	2	2	2	
10	90386-15M73	BUSH	4	4	4	
11	90206-15M18	WASHER, WAVE	2	2	2	
12	90201-06068	WASHER, PLATE	2	2	2	
13	97095-06016	BOLT	2	2	2	
14	64D-43144-00	HOOK, SPRING	2	2	2	
15	90109-06M80	BOLT	2	2	2	
16	90506-16M34	SPRING, TENSION	2	2	2	
17	68V-42738-00-8D	PLATE, FITTING	1	1	1	
18	90109-06M82	BOLT	2	2	2	
19	68V-42725-00	GROMMET	1	1	1	
20	67F-42756-01	STAY, CLAMP	1	1	1	
21	90109-06M86	BOLT	1	1	1	
22	6H1-42726-21	GROMMET	1	1	1	FLUSHING KIT
23	6BL-44391-00	NIPPLE, HOSE	1	1	1	
24	6H4-42748-00	GROMMET	3	3	3	
25	67F-42717-00	RUBBER, SEAL 2	4	4	4	
26	6E5-82588-00	PLATE	1	1	1	
27	90109-06M81	BOLT	1	1	1	

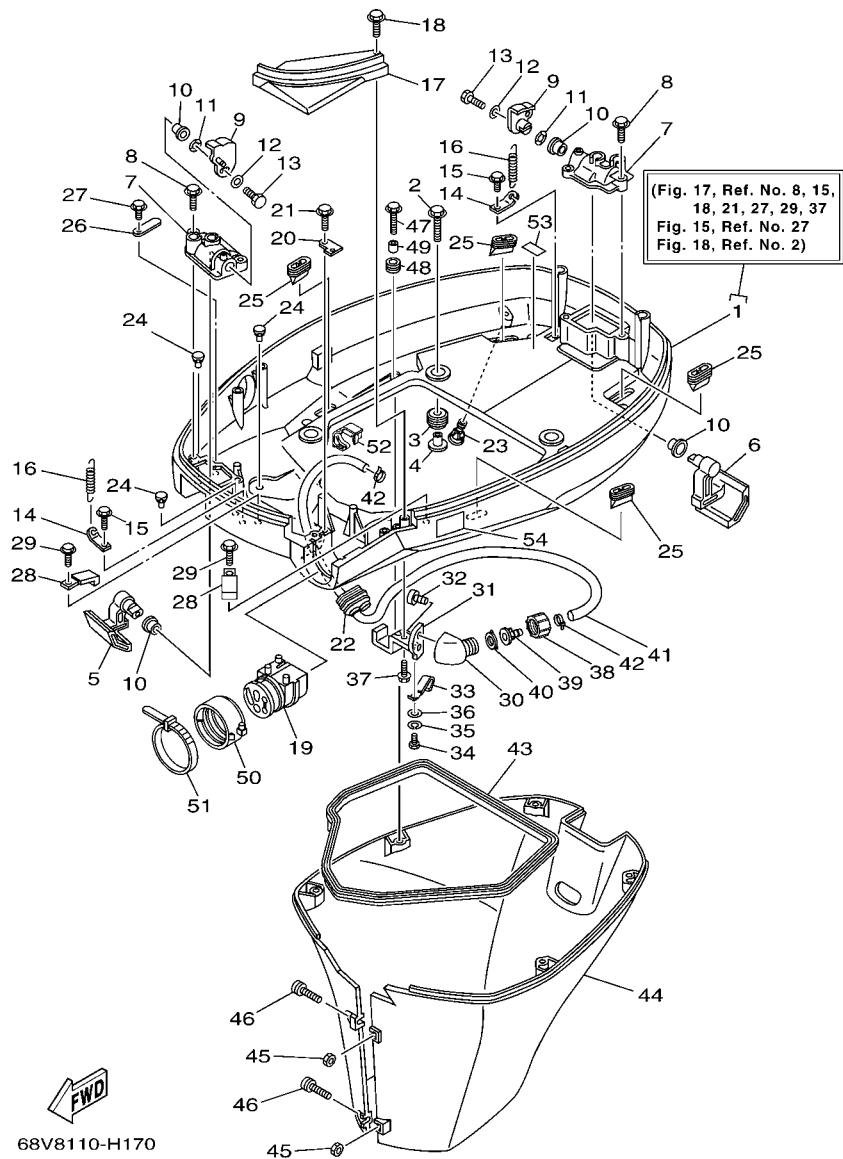
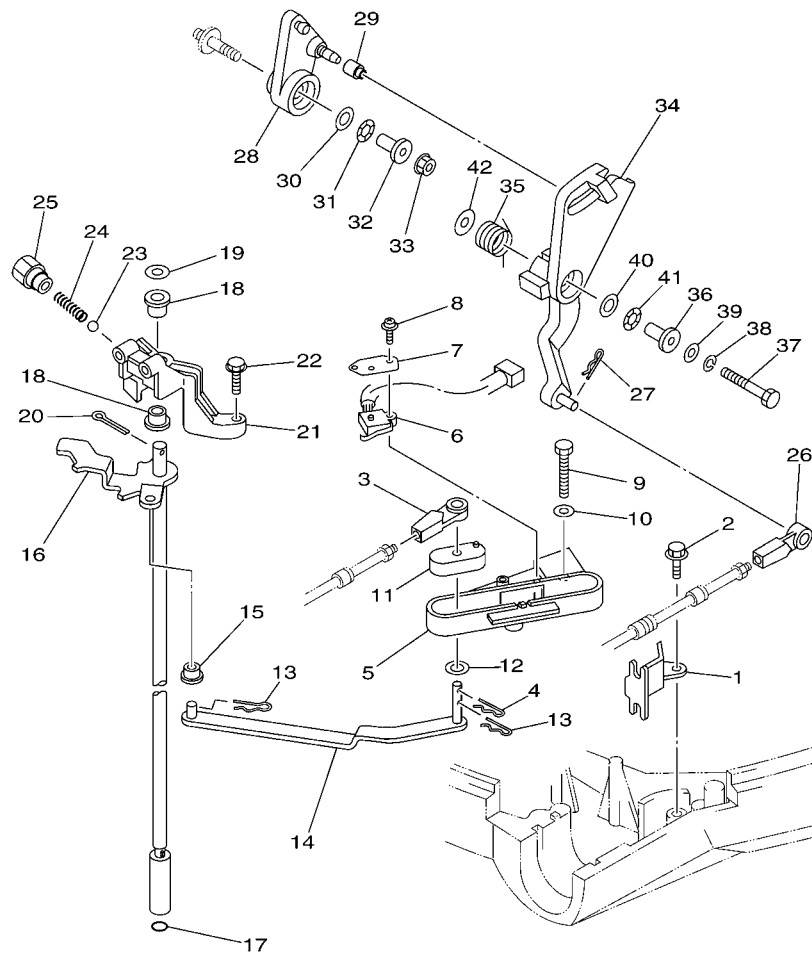


FIG. 17 BOTTOM COWLING

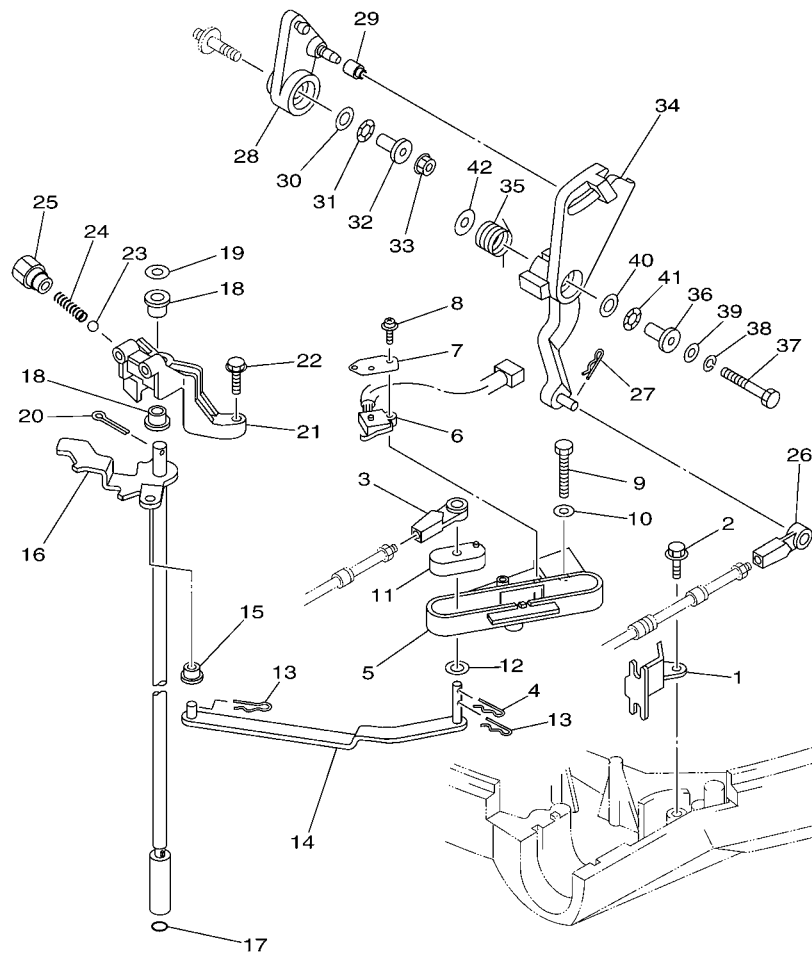
REF. NO.	PART NO.	DESCRIPTION	TLR	TXR	TJR	REMARKS
28	90465-08M23	CLAMP	2	2	2	
29	90109-06M80	BOLT	2	2	2	
30	68T-12572-00	ADAPTER	1	1	1	FLUSHING KIT
31	67F-12535-01	PLATE	1	1	1	FLUSHING KIT
32	90167-06002	SCREW, TAPPING	2	2	2	FLUSHING KIT
33	90462-06018	CLAMP	1	1	1	FLUSHING KIT
34	97095-06008	BOLT	1	1	1	FLUSHING KIT
35	92995-06100	WASHER, SPRING	1	1	1	FLUSHING KIT
36	92995-06200	WASHER	1	1	1	FLUSHING KIT
37	90109-06M86	BOLT	1	1	1	FLUSHING KIT
38	6R3-12581-00	JOINT, HOSE 1	1	1	1	FLUSHING KIT
39	6R3-12582-00	JOINT, HOSE 2	1	1	1	FLUSHING KIT
40	6R3-12583-00	GASKET, HOSE JOINT	1	1	1	FLUSHING KIT
41	68V-24312-00	PIPE 2	1	1	1	FLUSHING KIT
42	90465-11M10	CLAMP	2	2	2	FLUSHING KIT
43	61A-42716-00	RUBBER, SEAL 1	1	1	1	
44	67F-42741-01-8D	APRON	1	1	1	
45	95380-06600	NUT, HEXAGON	2	2	2	
46	90159-06M28	SCREW, WITH WASHER	2	2	2	
47	90109-06M80	BOLT	5	5	5	
48	90480-13M24	GROMMET	5	5	5	
49	90387-06M43	COLLAR	5	5	5	
50	68F-42753-00	FASTNER	1	1	1	AP
51	90464-20258	CLAMP	1	1	1	AP
52	90464-18004	CLAMP	1	1	1	
53	68V-82377-00	LABEL	1	1	1	
54	6AH-42794-40	LABEL, WARNING (GENERAL)	1	1	1	



FWD
68VA110-K180

FIG. 18 CONTROL

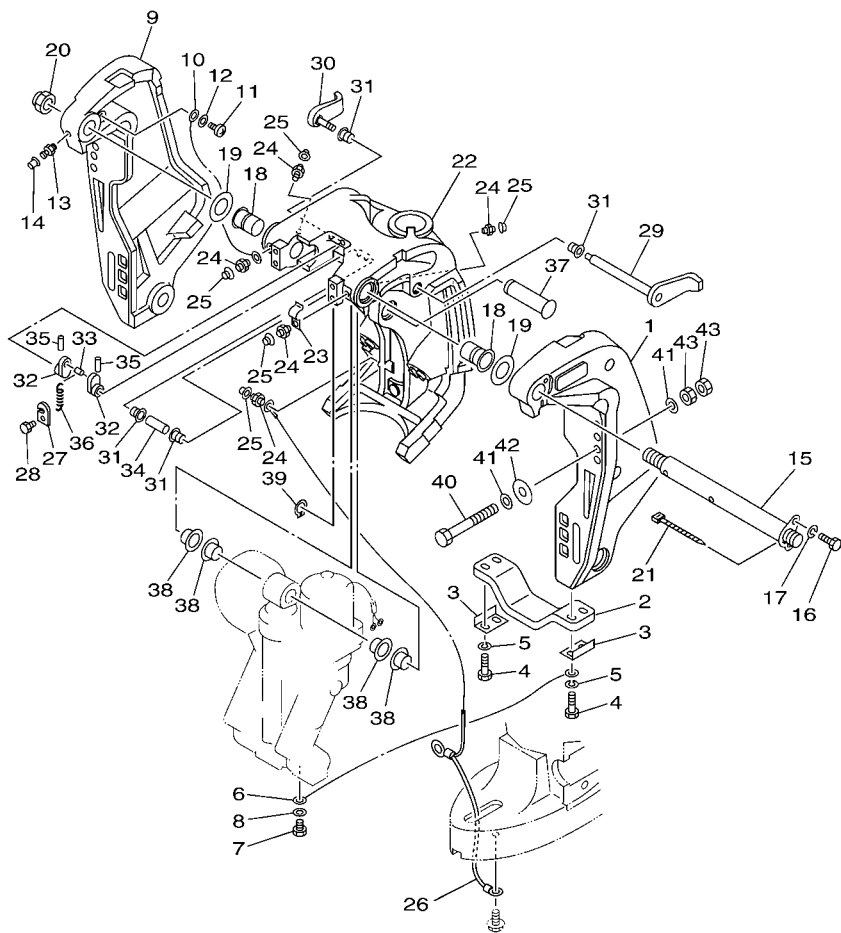
REF. NO.	PART NO.	DESCRIPTION	TLR	TXR	TJR	REMARKS
1	67F-48538-00	CLAMP, CABLE 1	1	1	1	
2	90109-06M86	BOLT	1	1	1	
3	663-48344-00	CABLE END, REMOTE CONTROL	1	1	1	
4	90468-18008	CLIP	1	1	1	
5	68V-44117-01-94	BRACKET	1	1	1	
6	60V-8259F-00	SWITCH ASSY	1	1		EXCEPT JET-DRIVE
7	61A-82588-01	PLATE	1	1		EXCEPT JET-DRIVE
8	97985-04116	SCREW, WITH WASHER	2	2		EXCEPT JET-DRIVE
9	97095-06040	BOLT	2	2	2	
10	92995-06600	WASHER	2	2	2	
11	68V-44122-01	BUSHING, SHIFT ROD LEVER	1	1	1	
12	90202-07M07	WASHER, PLATE	1	1	1	
13	90468-18008	CLIP	2	2	2	
14	68V-44121-00	LEVER, SHIFT ROD	1	1	1	
15	90386-06M12	BUSH	1	1	1	
16	68V-44120-10	HANDLE GEAR SHIFT ASSY	1		1	L(20.3")
	68V-44120-30	HANDLE GEAR SHIFT ASSY		1		X(25.3")
17	93210-09165	O-RING	1	1	1	
18	90386-90M90	BUSH	2	2	2	
19	90201-09M02	WASHER, PLATE	1	1	1	
20	91490-20015	PIN, COTTER	1	1	1	
21	68V-44118-00-94	BRACKET	1	1	1	
22	97575-06525	BOLT, WITH WASHER	2	2	2	
23	93501-04M02	BALL	1	1	1	
24	90501-12082	SPRING, COMPRESSION	1	1	1	
25	648-42715-00	BUSHING	1	1	1	
26	663-48344-00	CABLE END, REMOTE CONTROL	1	1	1	




 68VA110-K180

FIG. 18 CONTROL

REF. NO.	PART NO.	DESCRIPTION	TLR	TXR	TJR	REMARKS
27	90468-18008	CLIP	1	1	1	
28	68V-42157-00	LEVER, THROTTLE	1	1	1	
29	68V-42171-00	BUSHING	1	1	1	
30	90201-10M02	WASHER, PLATE	1	1	1	
31	90206-10M04	WASHER, WAVE	1	1	1	
32	90387-06M21	COLLAR	1	1	1	
33	90179-06M28	NUT	1	1	1	
34	68V-42154-00	LEVER, THROTTLE CONTROL	1	1	1	
35	67F-44135-00	SPRING	1	1	1	
36	90387-06M21	COLLAR	1	1	1	
37	97095-06035	BOLT	1	1	1	
38	92995-06100	WASHER, SPRING	1	1	1	
39	92995-06600	WASHER	1	1	1	
40	90201-10M02	WASHER, PLATE	1	1	1	
41	90206-10M04	WASHER, WAVE	1	1	1	
42	90201-06M31	WASHER, PLATE	1	1	1	

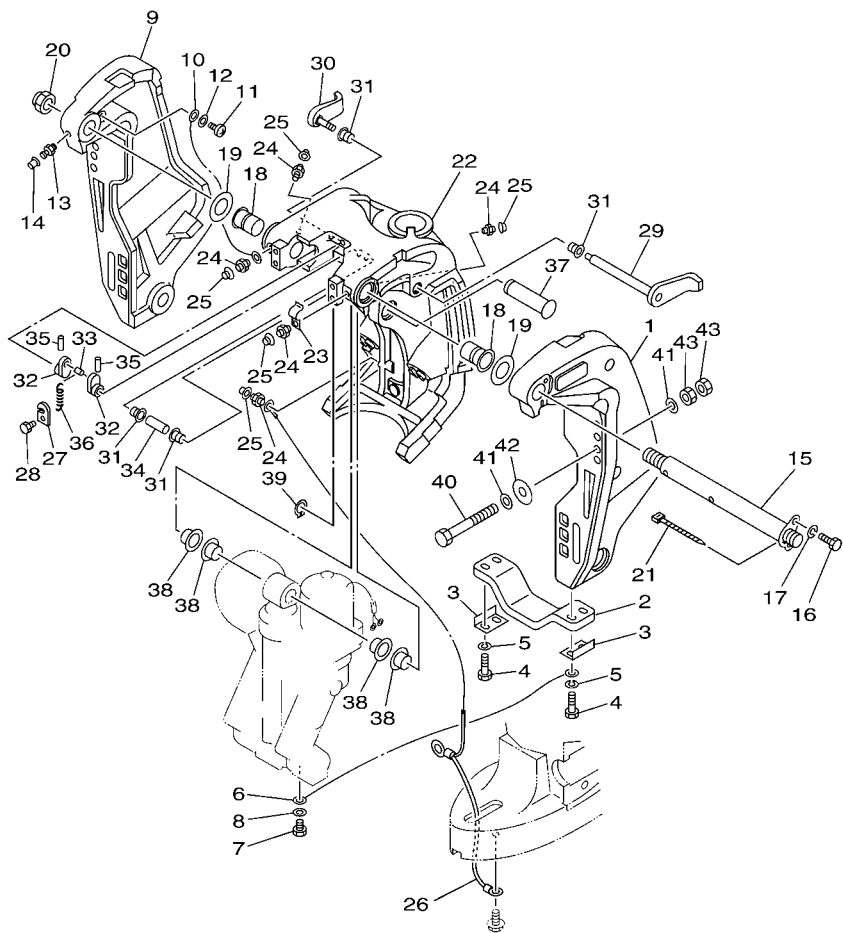



 68VA110-K190

FIG. 19 BRACKET 1

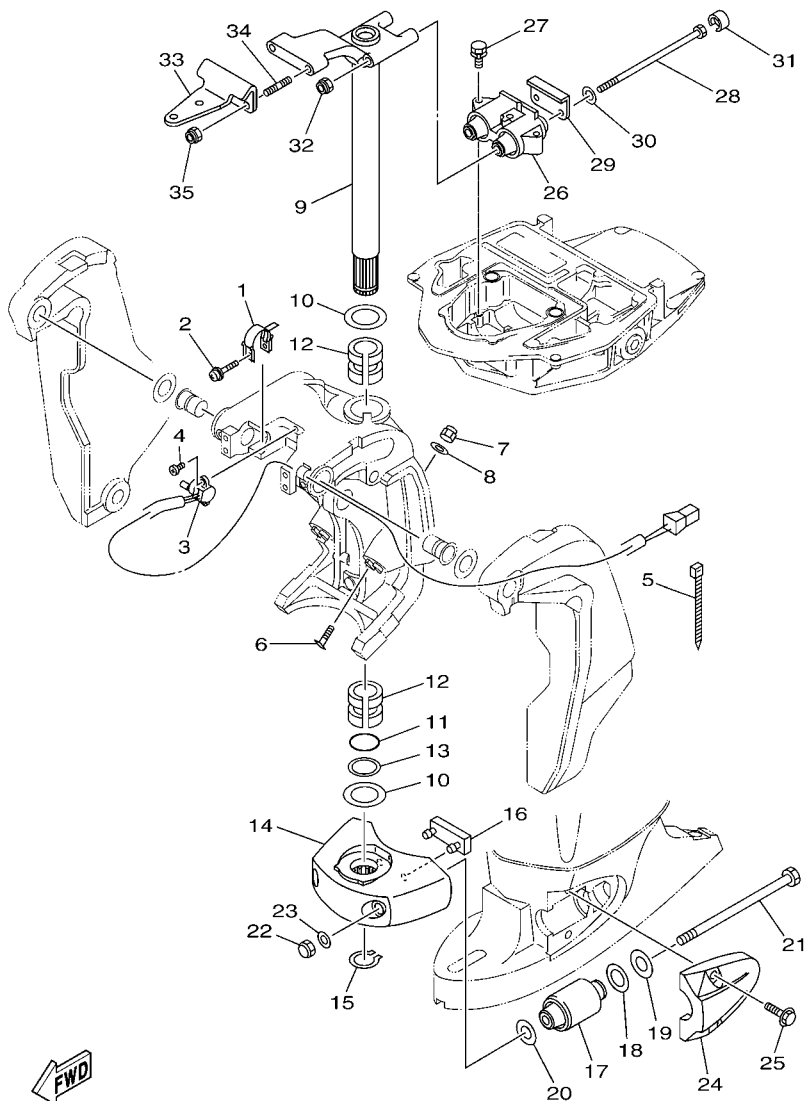
REF. NO.	PART NO.	DESCRIPTION	TLR	TXR	TJR	REMARKS
1	68V-43111-01-8D	BRACKET, CLAMP 1	1	1	1	
2	6G5-45251-02	ANODE	1	1	1	
3	6G5-44526-00	PLATE	2	2	2	
4	97095-06030	BOLT	4	4	4	
5	92995-06100	WASHER, SPRING	4	4	4	
6	6E5-82148-00	WIRE, LEAD 4	1	1	1	
7	97095-06010	BOLT	1	1	1	
8	92995-06600	WASHER	1	1	1	
9	68V-43112-01-8D	BRACKET, CLAMP 2	1	1	1	
10	6E5-82148-00	WIRE, LEAD 4	1	1	1	
11	97885-06012	SCREW, PAN HEAD	1	1	1	
12	92995-06600	WASHER	1	1	1	
13	93700-06M03	NIPPLE, GREASE	1	1	1	
14	663-45119-00	CAP, GREASE NIPPLE	1	1	1	AP
15	64E-43131-01	BOLT, CLAMP BRACKET	1	1	1	
16	97095-08020	BOLT	1	1	1	
17	92995-08100	WASHER	1	1	1	
18	90386-25M31	BUSH	2	2	2	
19	90201-26M59	WASHER, PLATE	2	2	2	
20	90185-22M11	NUT, SELF-LOCKING	1	1	1	
21	90465-11M10	CLAMP	1	1	1	
22	64E-43311-10-8D	BRACKET, SWIVEL 1	1	1		L(20.3")
	64E-43311-20-8D	BRACKET, SWIVEL 1		1		X(25.3")
23	90465-08M63	CLAMP	1	1	1	
24	93700-06M03	NIPPLE, GREASE	5	5	5	
25	663-45119-00	CAP, GREASE NIPPLE	5	5	5	AP
26	66K-82149-00	WIRE, LEAD 3	1	1		L(20.3")

FIG. 19 BRACKET 1



68VA110-K190

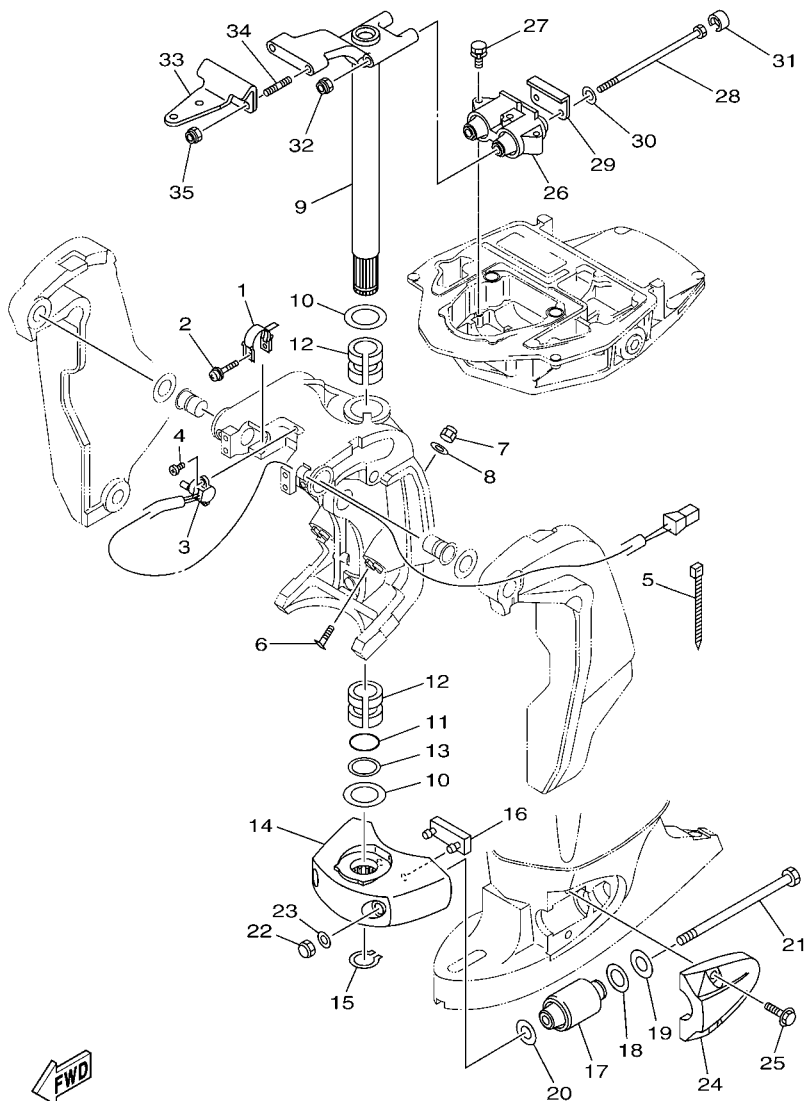
REF. NO.	PART NO.	DESCRIPTION	TLR	TXR	TJR	REMARKS
26	68V-82149-30	WIRE, LEAD 3		1		X(25.3")
27	66T-43144-00	HOOK, SPRING	1	1	1	
28	97095-06010	BOLT	1	1	1	
29	6G5-43181-02	LEVER, TILT STOP 1	1	1	1	
30	6G5-43185-02	LEVER, TILT STOP 2	1	1	1	
31	90386-10M16	BUSH	4	4	4	
32	6G5-43148-00	COLLAR, DISTANCE	2	2	2	
33	90249-06M19	PIN	1	1	1	
34	90387-10M05	COLLAR	1	1	1	
35	91690-30020	PIN, SPRING	2	2	2	
36	90506-14M24	SPRING, TENSION	1	1	1	
37	64E-43126-00	PIN, UPPER SHOCK MOUNT	1	1	1	
38	90386-22M98	BUSH	4	4	4	
39	93410-22M11	CIRCLIP	1	1	1	
40	90101-12M05	BOLT (L:130MM)	4	4	4	UR
	90101-12M77	BOLT (L:150MM)		2		UR
41	90201-13M01	WASHER, PLATE	8	8	8	
42	90201-12M05	WASHER, PLATE	4	4	4	
43	95380-12600	NUT	8	8	8	



68V9110-J200

FIG. 20 BRACKET 2

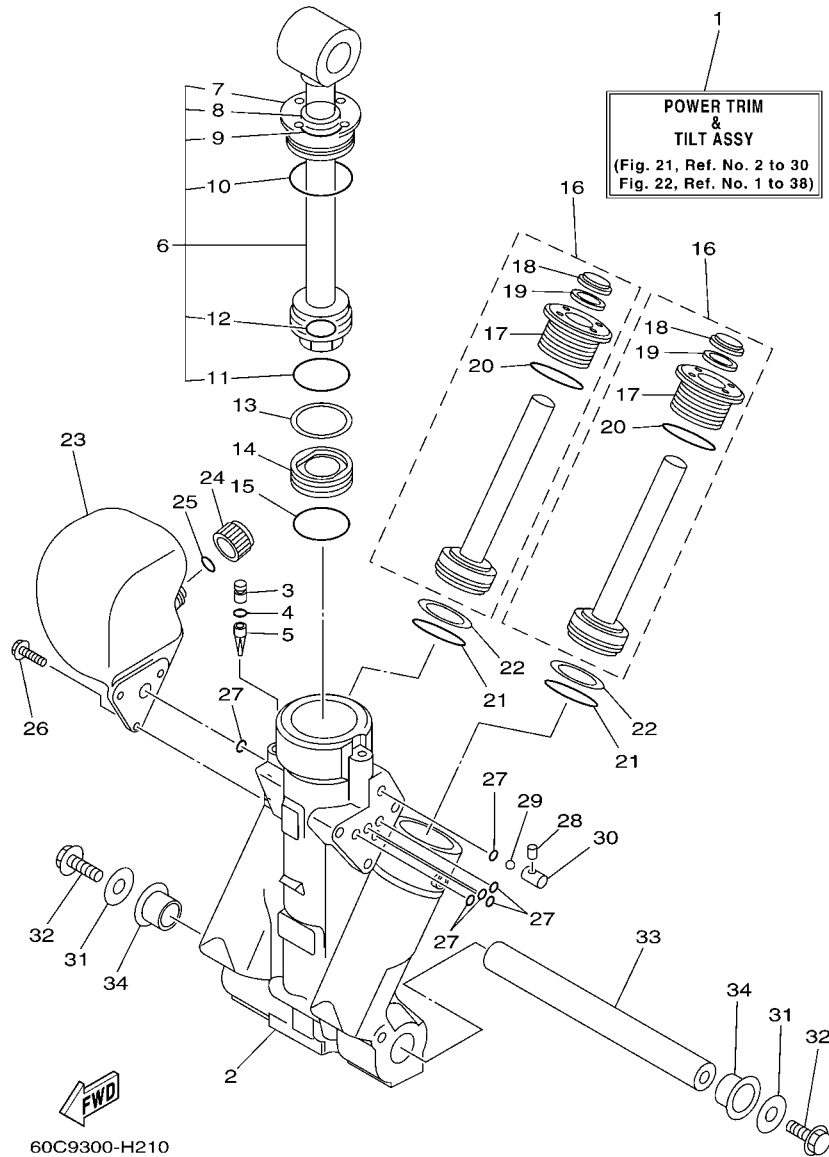
REF. NO.	PART NO.	DESCRIPTION	TLR	TXR	TJR	REMARKS
1	64E-43139-10	CAM, TRIM SENDER	1	1	1	
2	90159-05059	SCREW, WITH WASHER	1	1	1	
3	67H-83672-01	TRIM SENDER	1	1	1	
4	97885-06016	SCREW, PAN HEAD	2	2	2	
5	90465-11M10	CLAMP	3	3	3	
6	63P-43376-00	BOLT, THRUST RECEIVER	2	2	2	
7	95780-10300	NUT, FLANGE	2	2	2	
8	92995-10600	WASHER	2	2	2	
9	68V-42510-11-8D	STEERING BRACKET ASSY	1	1	1	L(20.3")
	68V-42510-31-8D	STEERING BRACKET ASSY		1	1	X(25.3")
10	90201-38M60	WASHER, PLATE	2	2	2	
11	93210-37MH7	O-RING	1	1	1	
12	90386-38M32	BUSH	2	2	2	
13	90202-40M47	WASHER, PLATE	1	1	1	
14	68V-44551-00-8D	HOUSING, LOWER MOUNT RUBBER 1	1	1	1	
15	93410-37M04	CIRCLIP	1	1	1	
16	61A-44575-00	DAMPER, LOWER MOUNT RUBBER	1	1	1	
17	61A-44555-01-94	MOUNT DAMPER, LOWER SIDE	2	2	2	
18	90202-32M19	WASHER, PLATE	2	2	2	
19	90201-16M55	WASHER, PLATE	2	2	2	
20	90201-15M58	WASHER, PLATE	2	2	2	
21	90109-14007	BOLT	2	2	2	
22	95380-14600	NUT	2	2	2	
23	92995-14600	WASHER	2	2	2	
24	68V-44553-00-8D	COVER, LOWER MOUNT	2	2	2	
25	90119-10049	BOLT, WITH WASHER	4	4	4	
26	67F-44514-01	MOUNT DAMPER, UPPER SIDE	1	1	1	



68V9110-J200

FIG. 20 BRACKET 2

REF. NO.	PART NO.	DESCRIPTION	TLR	TXR	TJR	REMARKS
27	90119-08091	BOLT, WITH WASHER	3	3	3	
28	90109-12007	BOLT	2	2	2	
29	67F-44526-00	PLATE	1	1	1	
30	90201-12M09	WASHER, PLATE	2	2	2	
31	67F-44533-00	DAMPER, UPPER MOUNT RUBBER	2	2	2	
32	90185-12M12	NUT, SELF-LOCKING	2	2	2	
33	68V-48511-10	HOOK, STEERING	1	1	1	
34	90116-10175	BOLT, STUD	2	2	2	
35	90185-10051	NUT, SELF-LOCKING	2	2	2	



60C9300-H210

FIG. 21 POWER TRIM & TILT ASSY 1

REF. NO.	PART NO.	DESCRIPTION	TLR	TXR	TJR	REMARKS
1	68V-43800-04	POWER TRIM & TILT ASSY	1	1	1	
2	64E-43825-03	HOUSING, TRIM & TILT	1	1	1	
3	6AW-4388J-00	PLUG 2	1	1	1	
4	93210-10M74	O-RING	1	1	1	
5	64E-43817-00	FILTER 2	1	1	1	
6	64E-43810-02	TILT PISTON SUB ASSY	1	1	1	
7	64E-43811-02	.SCREW, CYLINDER END	1	1	1	
8	64E-43898-00	.SEAL, DUST 2	1	1	1	
9	64E-43867-00	.O-RING	1	1	1	
10	64E-43866-00	.O-RING	1	1	1	
11	6E5-43862-00	.O-RING	1	1	1	
12	64E-43883-00	.O-RING	1	1	1	
13	6E5-43872-00	RING, BACK UP	1	1	1	
14	6E5-43814-02	PISTON, FREE	1	1	1	
15	6E5-43862-00	O-RING	1	1	1	
16	64E-43820-02	TRIM PISTON SUB ASSY	2	2	2	
17	64E-43821-02	.SCREW, TRIM CYLINDER END	1	1	1	
18	64E-43822-00	.SEAL, TRIM DUST	1	1	1	
19	64E-4384J-00	.SEAL, TRIM DOWN	1	1	1	
20	6G5-43864-00	.O-RING	1	1	1	
21	6E5-43864-00	O-RING	2	2	2	
22	6E5-43874-01	RING, BACK UP	2	2	2	
23	64E-43828-01	BODY, RESERVOIR	1	1	1	
24	64E-43829-01	PLUG, RESERVOIR	1	1	1	
25	64E-43897-00	O-RING	1	1	1	
26	64E-4388E-01	BOLT ,SCREW (L:14MM)	3	3	3	
27	64E-43869-00	O-RING	6	6	6	

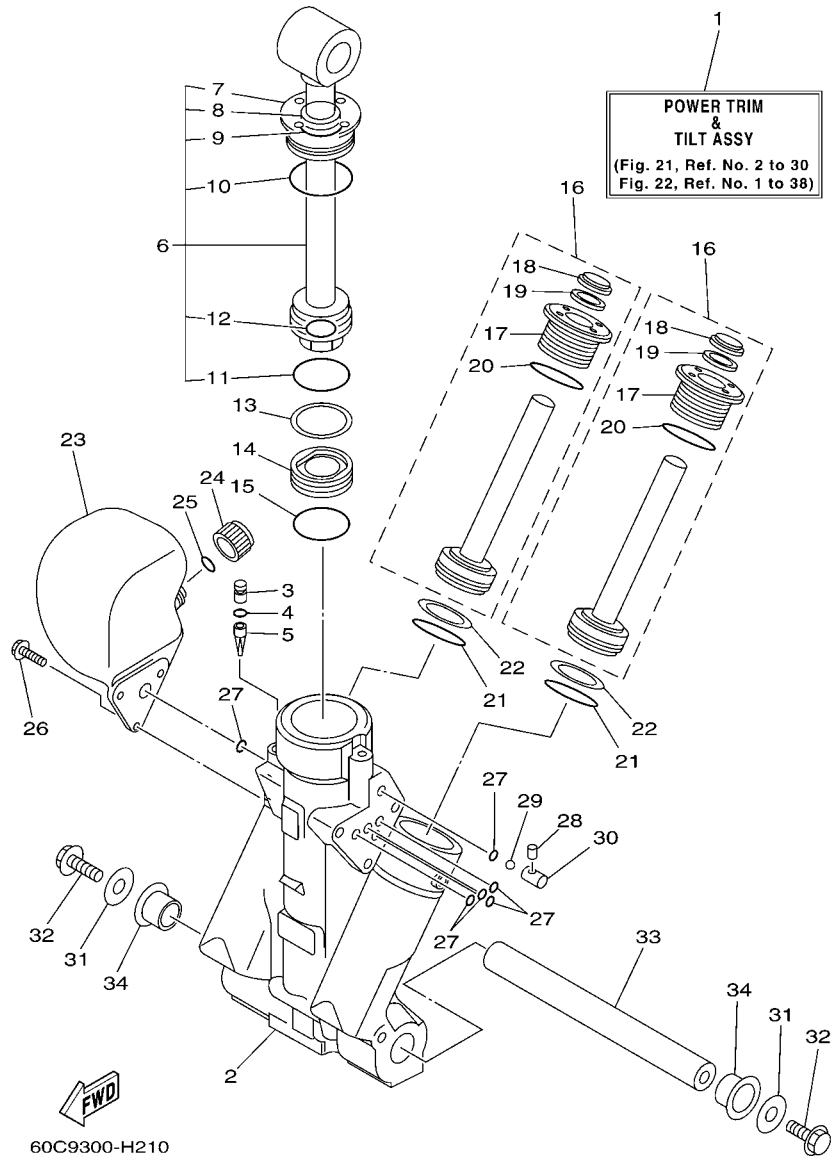


FIG. 21 POWER TRIM & TILT ASSY 1

REF. NO.	PART NO.	DESCRIPTION	TLR	TXR	TJR	REMARKS
28	64E-4381G-00	PIN	1	1	1	
29	6E5-43858-00	BALL	1	1	1	
30	64E-4382G-00	VALVE, SEAT	1	1	1	
31	90201-10060	WASHER, PLATE	2	2	2	
32	97575-10530	BOLT, WITH WASHER	2	2	2	
33	6BC-43818-00	PIN, LOWER SHOCK MOUNT	1	1	1	
34	90386-22M98	BUSH	2	2	2	

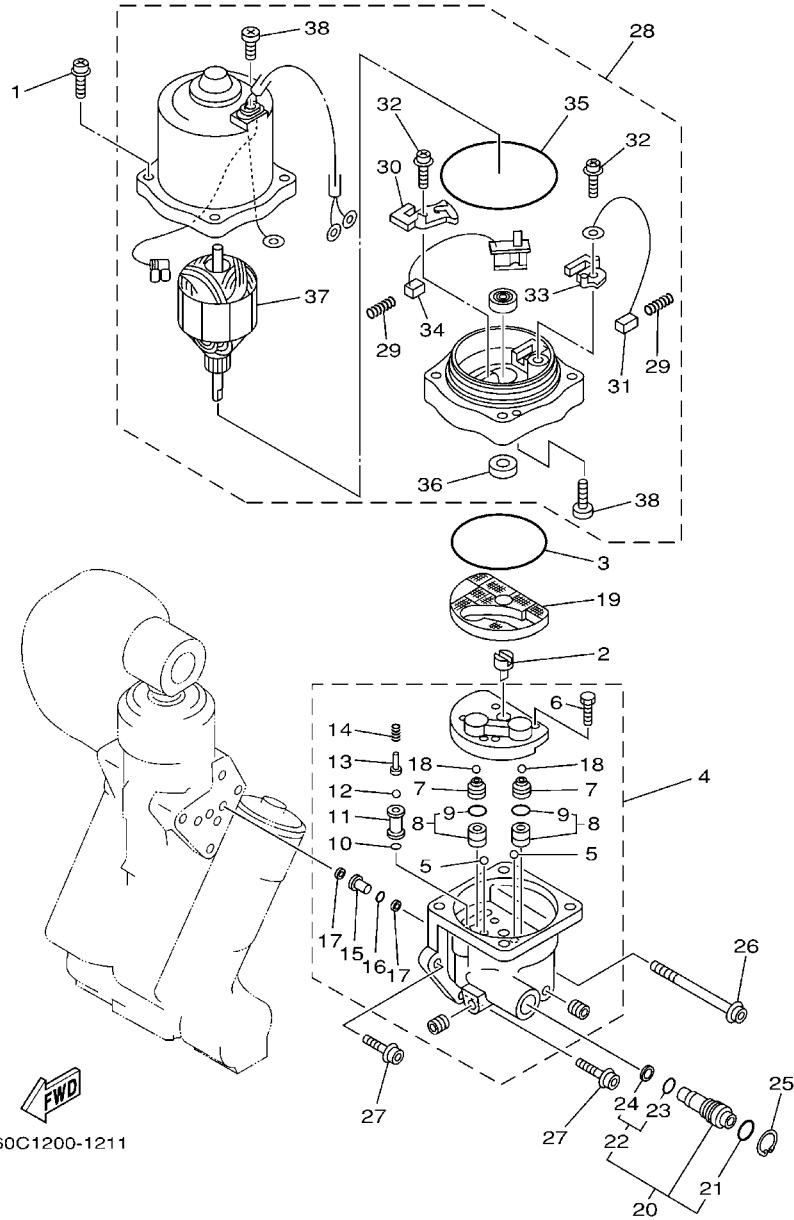
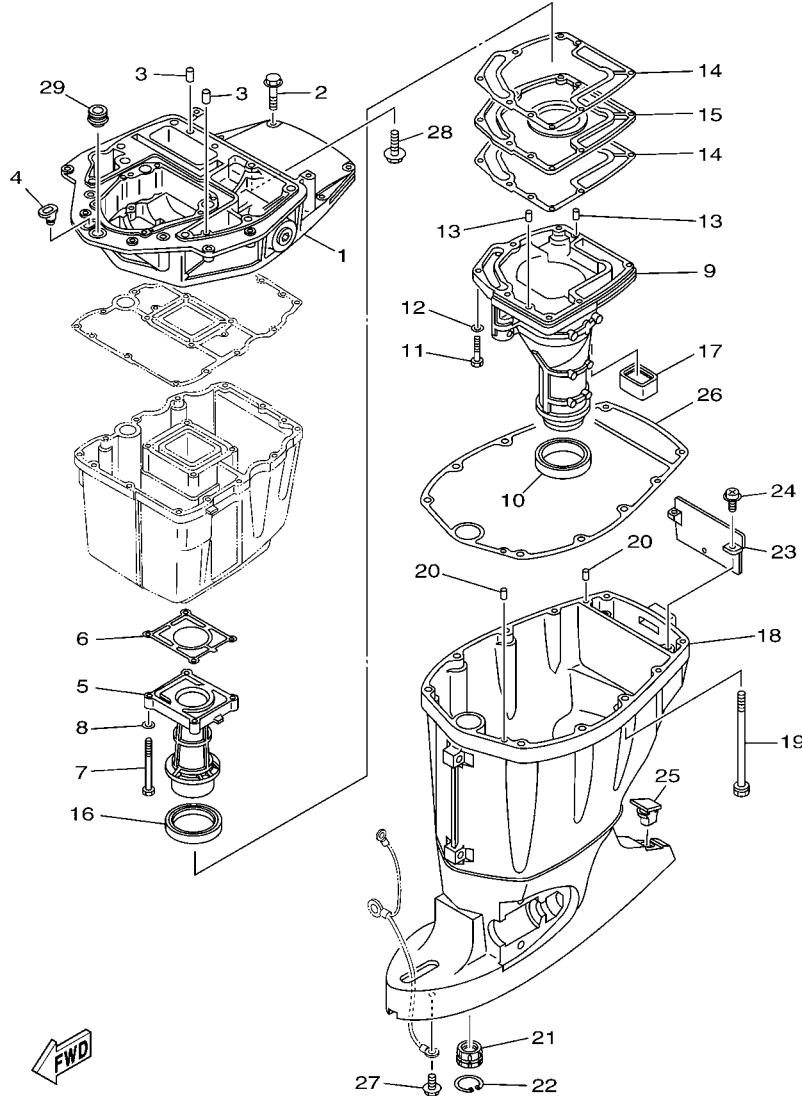


FIG. 22 POWER TRIM & TILT ASSY 2

REF. NO.	PART NO.	DESCRIPTION	TLR	TXR	TJR	REMARKS
1	64E-4388E-11	BOLT ,SCREW (L:34.7MM)	4	4	4	
2	64E-43831-00	CONNECTOR, SHAFT	1	1	1	
3	64E-43868-00	O-RING	1	1	1	
4	68V-43830-01	GEAR PUMP ASSY	1	1	1	
5	72X-43858-00	.BALL	2	2	2	
6	64E-43843-00	.SCREW, VALVE LOCK	4	4	4	
7	6AW-43841-00	.PISTON, SHUTTLE	2	2	2	
8	64E-43802-00	.VALVE SUB ASSY	2	2	2	
9	6E5-43896-00	..O-RING	1	1	1	
10	6G5-43863-00	.O-RING	1	1	1	
11	66Y-43851-00	.SEAT, RELIEF VALVE	1	1	1	
12	64E-43858-00	.BALL	1	1	1	
13	64E-43859-00	.PIN, VALVE SUPPORT	1	1	1	
14	68V-43855-00	.SPRING, UP RELIEF	1	1	1	
15	64E-43850-00	.VALVE SUB ASSY	1	1	1	
16	64E-43865-00	.O-RING	1	1	1	
17	64E-43816-00	.FILTER 1	2	2	2	
18	6AW-43858-00	.BALL	2	2	2	
19	64E-43817-11	FILTER 2	1	1	1	
20	64E-43860-01	MANUAL VALVE SUB-ASSY	1	1	1	
21	72X-85075-L0	.O-RING	1	1	1	
22	64E-43827-00	.RING SET	1	1	1	
23	64E-4387A-00	..O-RING	1	1	1	
24	64E-43873-00	..RING, BACK UP	1	1	1	
25	6AW-43875-00	RING, SNAP	1	1	1	
26	64E-43879-11	SCREW, WITH WASHER	1	1	1	
27	64E-43879-01	SCREW, WITH WASHER	2	2	2	



68VA110-K230

FIG. 23 UPPER CASING

REF. NO.	PART NO.	DESCRIPTION	TLR	TXR	TJR	REMARKS
1	67F-41137-02-CA	GUIDE, EXHAUST	1	1	1	
2	97575-08540	BOLT, WITH WASHER	4	4	4	
3	93608-16M16	PIN, DOWEL	2	2	2	
4	6G1-42727-00	GROMMET	1	1	1	
5	67F-41131-01-CA	MANIFOLD, EXT. 1	1	1	1	
6	67F-41133-A1	GASKET, EXHAUST MANIFOLD 1	1	1	1	
7	97075-06070	BOLT	4	4	4	
8	92995-06600	WASHER	4	4	4	
9	68V-14711-10-CA	MUFFLER 1	1	1	1	L(20.3")
	68V-14711-30-CA	MUFFLER 1		1	1	X(25.3")
10	68V-45123-00	GASKET, MUFFLER	1	1	1	
11	97075-06030	BOLT	7	7	7	
12	92995-06600	WASHER	7	7	7	
13	93606-19M23	PIN, DOWEL	2	2	2	
14	67F-41134-A0	GASKET, EXHAUST MANIFOLD	2	2	2	
15	67F-45181-00-CA	PLATE	1	1	1	
16	67F-41138-00	SEAL, EXT. 1	1	1	1	
17	67F-45127-00	SEAL	1	1	1	
18	68V-45111-11-8D	CASING, UPPER	1	1	1	L(20.3")
	68V-45111-31-8D	CASING, UPPER		1	1	X(25.3")
19	90119-10M08	BOLT, WITH WASHER	6	6	6	
20	93608-16M16	PIN, DOWEL	2	2	2	
21	6E5-45318-00	BUSHING, DRIVE SHAFT	1	1	1	
22	93420-36M01	CIRCLIP	1	1	1	
23	67F-45151-00	COVER, UPPER CASING	1	1	1	
24	97980-06216	SCREW, WITH WASHER	2	2	2	
25	6C5-45155-00	CAP	1	1	1	

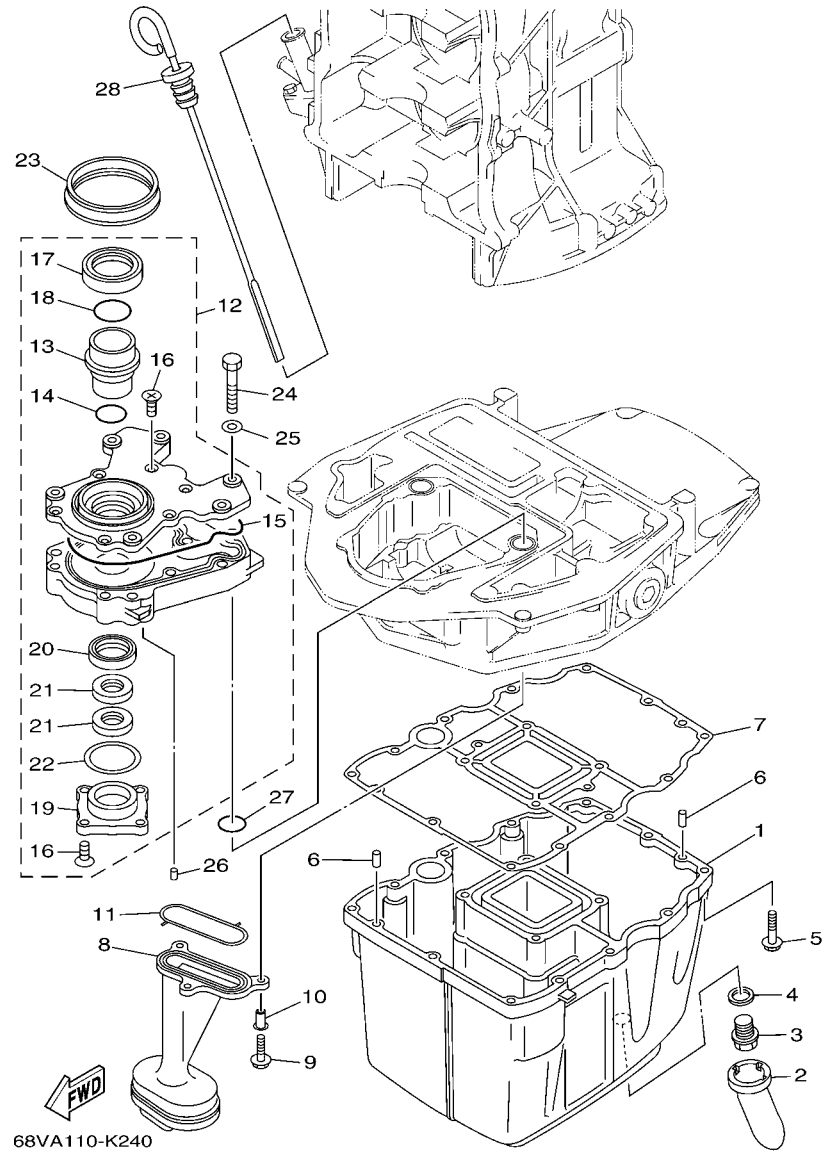
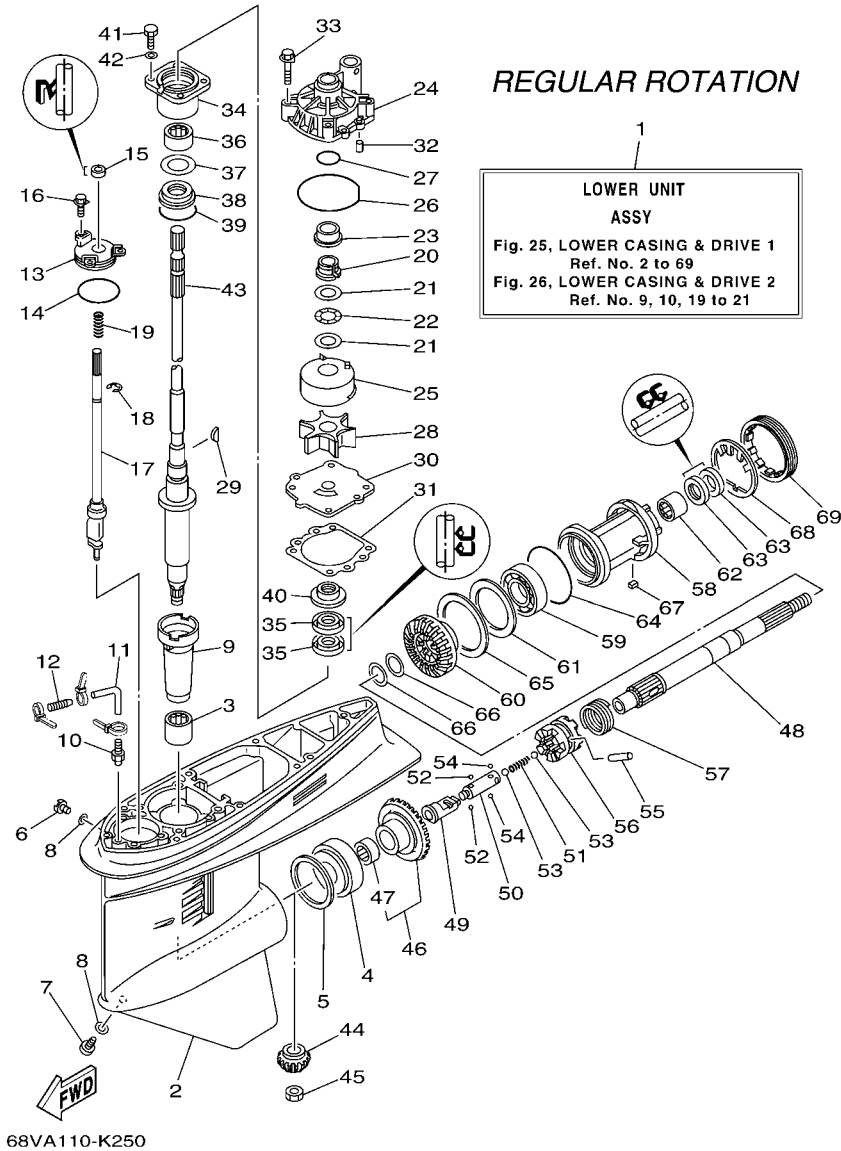


FIG. 24 OIL PAN

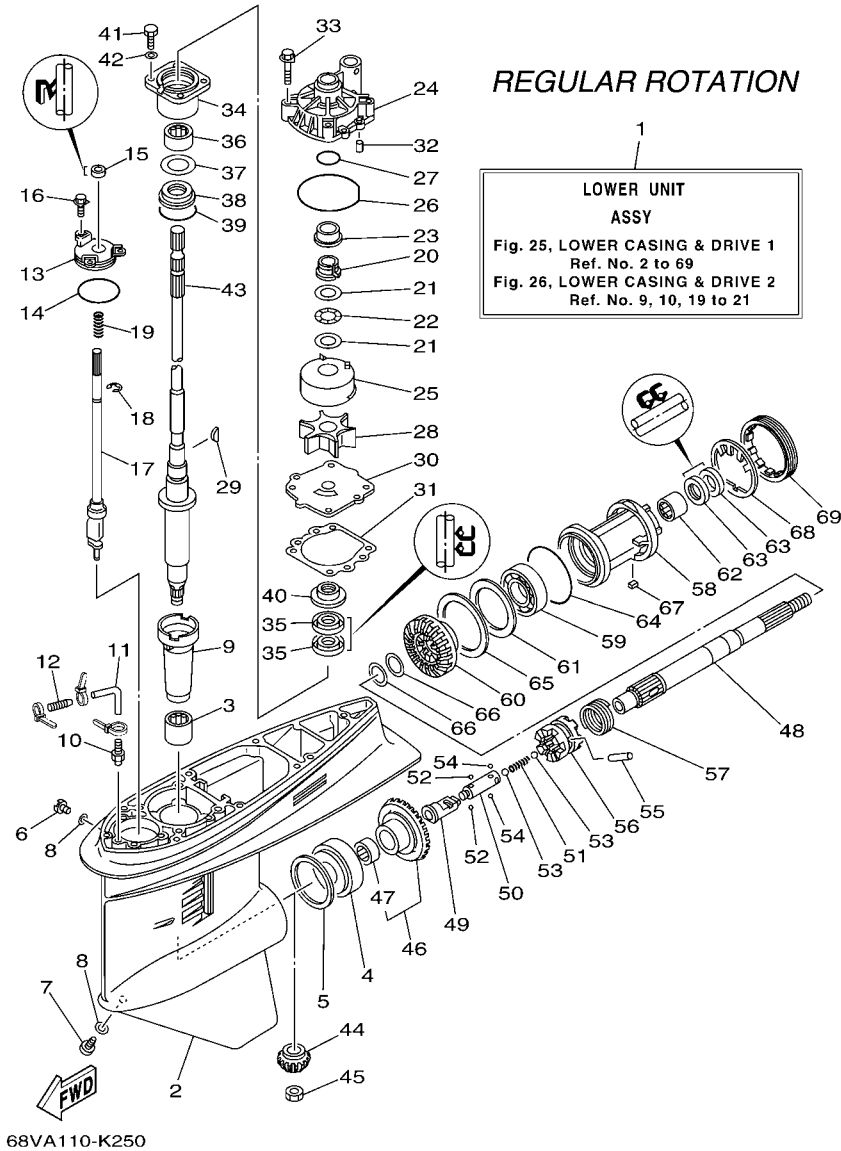
REF. NO.	PART NO.	DESCRIPTION	TLR	TXR	TJR	REMARKS
1	68V-15311-00-CA	OIL PAN	1	1	1	
2	63P-15316-00	DAMPER 1	1	1	1	
3	90340-14M06	PLUG, STRAIGHT SCREW	1	1	1	
4	90430-14M09	GASKET	1	1	1	
5	97575-06525	BOLT, WITH WASHER	12	12	12	
6	93606-12019	PIN, DOWEL	2	2	2	
7	68V-15312-00	GASKET, OIL PAN	1	1	1	
8	67F-13411-00	STRAINER, OIL	1	1	1	
9	95812-06025	BOLT, FLANGE	3	3	3	
10	90387-06263	COLLAR	3	3	3	
11	67F-13415-00	SEAL, OIL STRAINER	1	1	1	
12	67F-13300-10	OIL PUMP ASSY	1	1	1	
13	67F-13314-02	.SHAFT, PUMP	1	1	1	
14	67F-13473-01	.O-RING	1	1	1	
15	67F-13329-00	.GASKET, PUMP COVER	1	1	1	
16	67F-13495-00	.SCREW	10	10	10	
17	67F-13119-01	.OIL SEAL	1	1	1	
18	67F-13769-00	.O-RING	1	1	1	
19	67F-13914-00	.HOUSING, PUMP	1	1	1	
20	67F-13631-03	.OIL SEAL	1	1	1	
21	67F-13149-00	.OIL SEAL	2	2	2	
22	67F-13339-00	.GASKET, PUMP COVER	1	1	1	
23	67F-13338-00	SEAL	1	1	1	
24	97095-06045	BOLT	6	6	6	
25	92995-06600	WASHER	6	6	6	
26	93604-12M07	PIN, DOWEL	2	2	2	
27	93210-19MJ1	O-RING	2	2	2	



68VA110-K250

FIG. 25 LOWER CASING & DRIVE 1

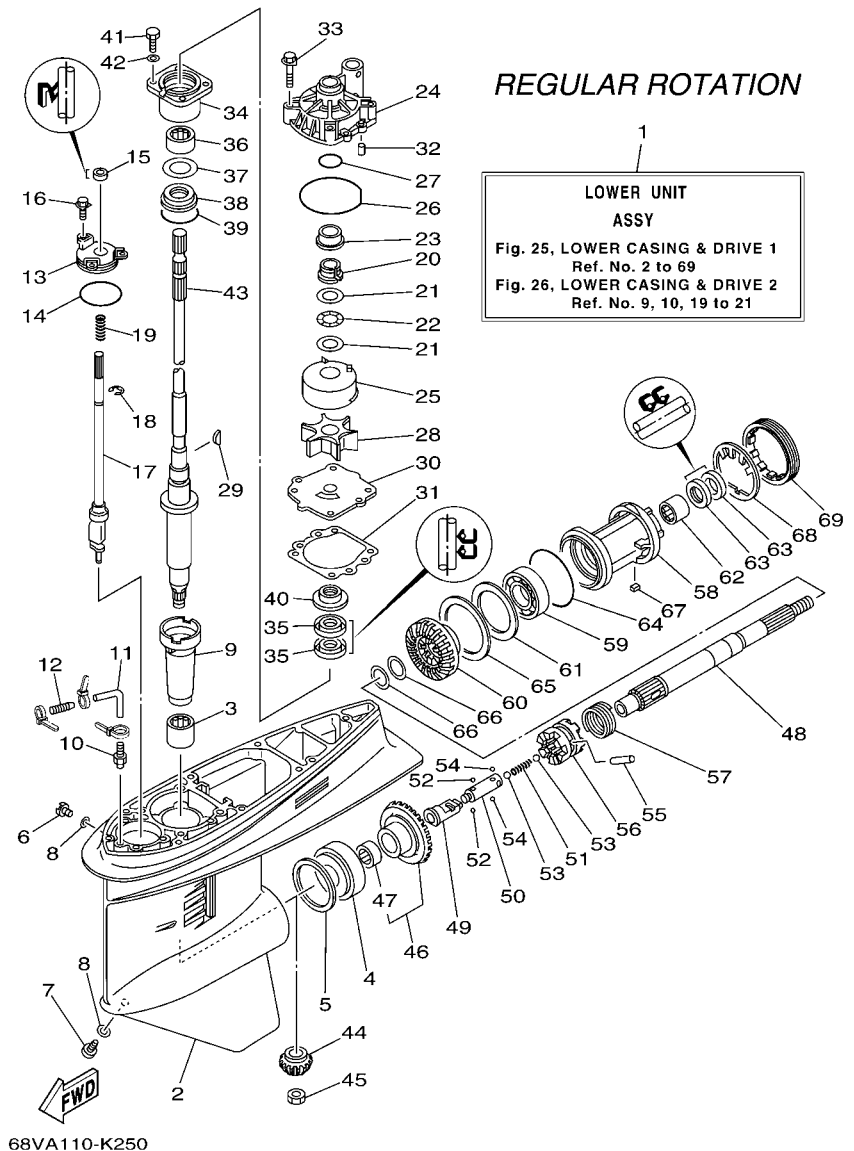
REF. NO.	PART NO.	DESCRIPTION	TLR	TXR	TJR	REMARKS
1	68V-45300-12-8D	LOWER UNIT ASSY	1			L(20.3"),RH
	68V-45300-32-8D	LOWER UNIT ASSY		1		X(25.3"),RH
2	6E5-45301-05-8D	CASING, LOWER	1	1		
3	93315-628U9	BEARING	1	1		
4	93332-000U7	BEARING	1	1		
5	6E5-45567-01	SHIM (T:0.10MM)	1	1		UR
	6E5-45567-10	SHIM (T:0.12MM)	1	1		UR
	6E5-45567-20	SHIM (T:0.15MM)	1	1		UR
	6E5-45567-30	SHIM (T:0.18MM)	1	1		UR
	6E5-45567-40	SHIM (T:0.30MM)	1	1		UR
	6E5-45567-50	SHIM (T:0.40MM)	1	1		UR
	6E5-45567-60	SHIM (T:0.50MM)	1	1		UR
6	90340-08002	PLUG, STRAIGHT SCREW	1	1		
7	688-45341-10	PLUG, DRAIN	1	1		
8	90430-08020	GASKET	2	2		
9	6E5-45536-00	SLEEVE, DRIVE SHAFT	1	1		
10	6E5-45378-00	NIPPLE, HOSE	1	1		
11	90445-07ME8	HOSE (L80)	1			L(20.3")
	90445-07ME9	HOSE (L120)		1		X(25.3")
12	6E5-83558-10	END, NIPPLE	1	1		
13	6E5-45321-00	PLATE	1	1		
14	93210-58144	O-RING	1	1		
15	93106-09014	OIL SEAL	1	1		
16	90119-06M10	BOLT, WITH WASHER	3	3		
17	6L6-44150-01	SHIFT CAM ASSY	1	1		
18	99001-08600	CIRCLIP	1	1		
19	90501-11M10	SPRING, COMPRESSION	1	1		



68VA110-K250

FIG. 25 LOWER CASING & DRIVE 1

REF. NO.	PART NO.	DESCRIPTION	TLR	TXR	TJR	REMARKS
20	61A-45538-00	SPACER 1	1	1		
21	90201-22M01	WASHER, PLATE	2	2		
22	90206-22M19	WASHER, WAVE	1	1		
23	61A-45527-00	COLLAR, DRIVE SHAFT	1	1		
24	61A-44311-01	HOUSING, WATER PUMP	1	1		
25	61A-44322-02	INSERT, CARTRIDGE	1	1		
26	93210-86M38	O-RING	1	1		
27	93210-37160	O-RING	1	1		
28	6E5-44352-01	IMPELLER	1	1		
29	90280-04M05	KEY, WOODRUFF	1	1		
30	68V-44323-00	OUTER PLATE, CARTRIDGE	1	1		
31	6E5-44315-A0	GASKET, WATER PUMP	1	1		
32	93606-12019	PIN, DOWEL	2	2		
33	90119-08M14	BOLT, WITH WASHER	4	4		
34	6E5-45331-00-9S	HOUSING, BEARING	1	1		
35	93101-28M16	OIL SEAL	2	2		
36	93317-330U2	BEARING	1	1		
37	6E5-45587-01	SHIM (T:0.10MM)	1	1		UR
	6E5-45587-10	SHIM (T:0.12MM)	1	1		UR
	6E5-45587-20	SHIM (T:0.15MM)	1	1		UR
	6E5-45587-30	SHIM (T:0.18MM)	1	1		UR
	6E5-45587-40	SHIM (T:0.30MM)	1	1		UR
	6E5-45587-50	SHIM (T:0.40MM)	1	1		UR
	6E5-45587-60	SHIM (T:0.50MM)	1	1		UR
38	93341-930V2	BEARING	1	1		
39	93210-55M14	O-RING	1	1		
40	6E5-45344-00	COVER, OIL SEAL	1	1		

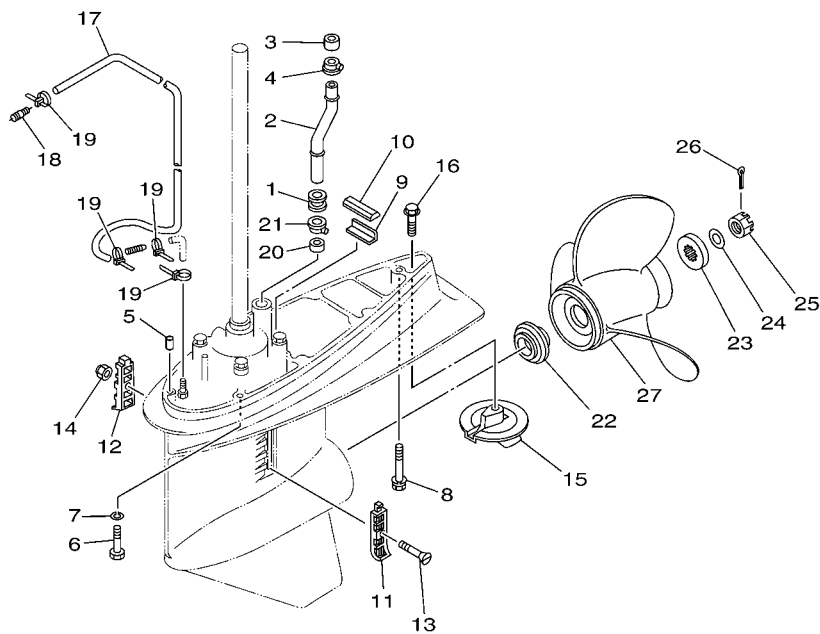


68VA110-K250

FIG. 25 LOWER CASING & DRIVE 1

REF. NO.	PART NO.	DESCRIPTION	TLR	TXR	TJR	REMARKS
41	97095-08025	BOLT	4	4		
42	92995-08600	WASHER	4	4		
43	68V-45501-10	DRIVE SHAFT COMP.	1			L(20.3")
	68V-45501-30	DRIVE SHAFT COMP.		1		X(25.3")
44	68V-45551-00	PINION (13T)	1	1		
45	90170-16M01	NUT	1	1		
46	68V-45560-00	GEAR 1 (28T)	1	1		
47	93315-425U7	.BEARING	1	1		
48	6E5-45611-01	SHAFT, PROPELLER	1	1		
49	6K1-45641-01	SHIFTER	1	1		
50	6E5-45634-01	SLIDE, SHIFT	1	1		
51	90501-16M37	SPRING, COMPRESSION	1	1		
52	93507-32009	BALL	2	2		
53	93511-32017	BALL	2	2		
54	93503-16003	BALL	2	2		
55	90250-08M07	PIN, STRAIGHT	1	1		
56	68V-45631-01	CLUTCH, DOG	1	1		
57	6E5-45633-01	RING, CROSS PIN	1	1		
58	6E5-45332-00-CA	HOUSING, BEARING	1	1		
59	93306-208U0	BEARING	1	1		
60	68V-45571-00	GEAR 2 (28T)	1	1		
61	6E5-45576-00	WASHER, THRUST 2	1	1		
62	93315-430U8	BEARING	1	1		
63	93101-30M17	OIL SEAL	2	2		
64	93210-86M39	O-RING	1	1		
65	6L6-45577-00	SHIM (T:0.10MM)	1	1		UR
	6L6-45577-10	SHIM (T:0.12MM)	1	1		UR

REGULAR ROTATION

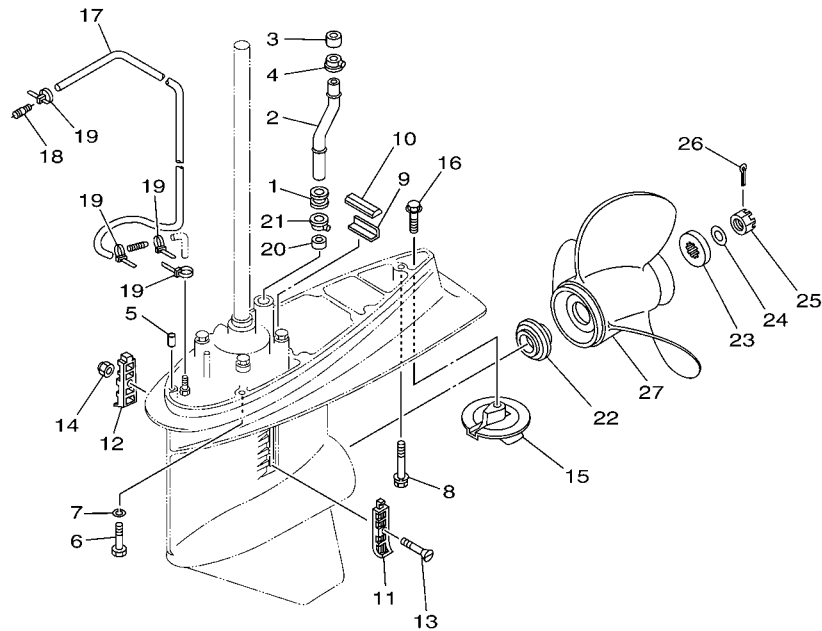


68VA110-K260

FIG. 26 LOWER CASING & DRIVE 2

REF. NO.	PART NO.	DESCRIPTION	TLR	TXR	TJR	REMARKS
1	6E5-44366-00	DAMPER, WATER SEAL 2	1	1	1	
2	68V-44361-11	TUBE, WATER 1	1		1	L(20.3")
	68V-44361-30	TUBE, WATER 1		1		X(25.3")
3	6E5-44365-00	DAMPER, WATER SEAL 1	1	1	1	
4	6E5-44312-00	COVER, WATER PUMP HOUSING	1	1	1	
5	93608-12M05	PIN, DOWEL	2	2		
6	97075-10045	BOLT	6	6		
7	92995-10100	WASHER	6	6		
8	90119-10M89	BOLT, WITH WASHER	1	1		
9	663-45376-00	GUIDE, SEAL DAMPER	1	1		
10	688-45375-00	DAMPER, SEAL	1	1		
11	688-45214-02	COVER, WATER INLET 1	1	1		
12	688-45215-02	COVER, WATER INLET 2	1	1		
13	90152-05M07	SCREW, COUNTERSUNK	1	1		
14	90185-05002	NUT, NYLON	1	1		
15	6E5-45371-01	TAB-TRIM	1	1		
16	90105-10M00	BOLT, FLANGE	1	1		
17	90445-076K2	HOSE (L1550)	1	1		
18	6E5-83558-00	END, NIPPLE	1	1		
19	90465-11M10	CLAMP	4	4		
20	6E5-44365-00	DAMPER, WATER SEAL 1	1	1		
21	6E5-44312-00	COVER, WATER PUMP HOUSING	1	1		
22	63P-45987-00	SPACER 1	1	1		
23	688-45997-01	SPACER 2	1	1		
24	92990-18200	WASHER	1	1		
25	90171-18M04	NUT, CASTLE	1	1		
26	91490-40030	PIN, COTTER	1	1		

REGULAR ROTATION

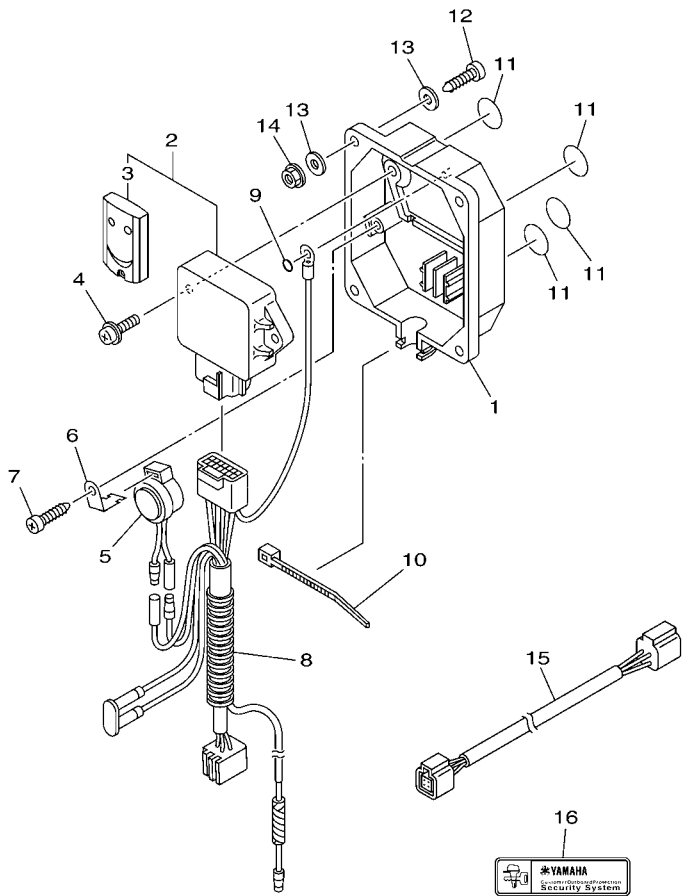



68VA110-K260

FIG. 26 LOWER CASING & DRIVE 2

REF. NO.	PART NO.	DESCRIPTION	TLR	TXR	TJR	REMARKS
27	6E5-45941-00-EL	PROPELLER (3X13"X19"-K)	1	1		UR
	6E5-45943-00-EL	PROPELLER (3X12-5/8"X21"-K)	1	1		UR
	6E5-45945-01-EL	PROPELLER (3X13-1/4"X17"-K)	1	1		UR
	6E5-45947-00-EL	PROPELLER (3X13-1/2"X15"-K)	1	1		UR
	6E5-45949-00-EL	PROPELLER (3X13-5/8"X13"-K)	1	1		UR
	6E5-45952-00-EL	PROPELLER (3X13"X23"-K)	1	1		UR
	6E5-45954-00-EL	PROPELLER (3X14"X11"-K)	1	1		UR
	6E5-45956-00-EL	PROPELLER (3X13"X25"-K)	1	1		UR
	688-45930-02-98	PROPELLER (3X13"X17"-K)	1	1		UR
	688-45932-60-98	PROPELLER (3X13-1/2"X14"-K)	1	1		UR
	688-45970-03-98	PROPELLER (3X13"X19"-K)	1	1		UR
	688-45972-02-98	PROPELLER (3X13"X21"-K)	1	1		UR
	688-45974-02-98	PROPELLER (3X13"X23"-K)	1	1		UR
	688-45976-01-98	PROPELLER (3X13"X25"-K)	1	1		UR
	688-45978-60-98	PROPELLER (3X13-1/2"X16"-K)	1	1		UR
	68V-45941-00-EL	PROPELLER (3X13-1/2"X17"-K)	1	1		UR
	68V-45943-00-EL	PROPELLER (3X13-1/2"X19"-K)	1	1		UR
	62A-45970-10	PROPELLER (3X13-1/2"X21"-K)	1	1		UR
	62A-45972-10	PROPELLER (3X13-1/2"X23"-K)	1	1		UR
	62A-45974-10	PROPELLER (3X13-1/2"X19"-K)	1	1		UR
	62A-45976-00	PROPELLER (3X13-1/2"X17"-K)	1	1		UR

FIG. 28 OPTIONAL PARTS



6CJ1100-K370

REF. NO.	PART NO.	DESCRIPTION	TLR	TXR	TJR	REMARKS
1	6Y8-86267-00	CASE COMPLETE 1	1	1	1	
2	6Y8-86260-10	REMOTE CONTROL UNIT ASSY	1	1	1	
3	6AA-86261-20	.TRANSMITTER COMP	2	2	2	
4	97980-06216	SCREW, WITH WASHER	2	2	2	
5	6X4-83383-00	BUZZER	1	1	1	
6	6X4-83386-00	STAY, BUZZER	1	1	1	
7	97780-60620	SCREW, TAPPING	1	1	1	
8	6Y8-82509-10	WIRE, SUB LEAD	1	1	1	
9	93210-04279	O-RING	1	1	1	
10	90465-11M10	CLAMP	1	1	1	
11	6Y8-8454G-00	PATCH 1	4	4	4	
12	90167-06M00	SCREW, TAPPING	4	4	4	UR
	97880-06035	SCREW, PAN HEAD	4	4	4	UR
13	90201-06M30	WASHER, PLATE	8	8	8	
14	95780-06300	NUT, FLANGE	4	4	4	
15	6Y8-82521-11	2FT PIGTAIL BUS	1	1	1	
16	6Y8-48277-00	STICKER 1	4	4	4	

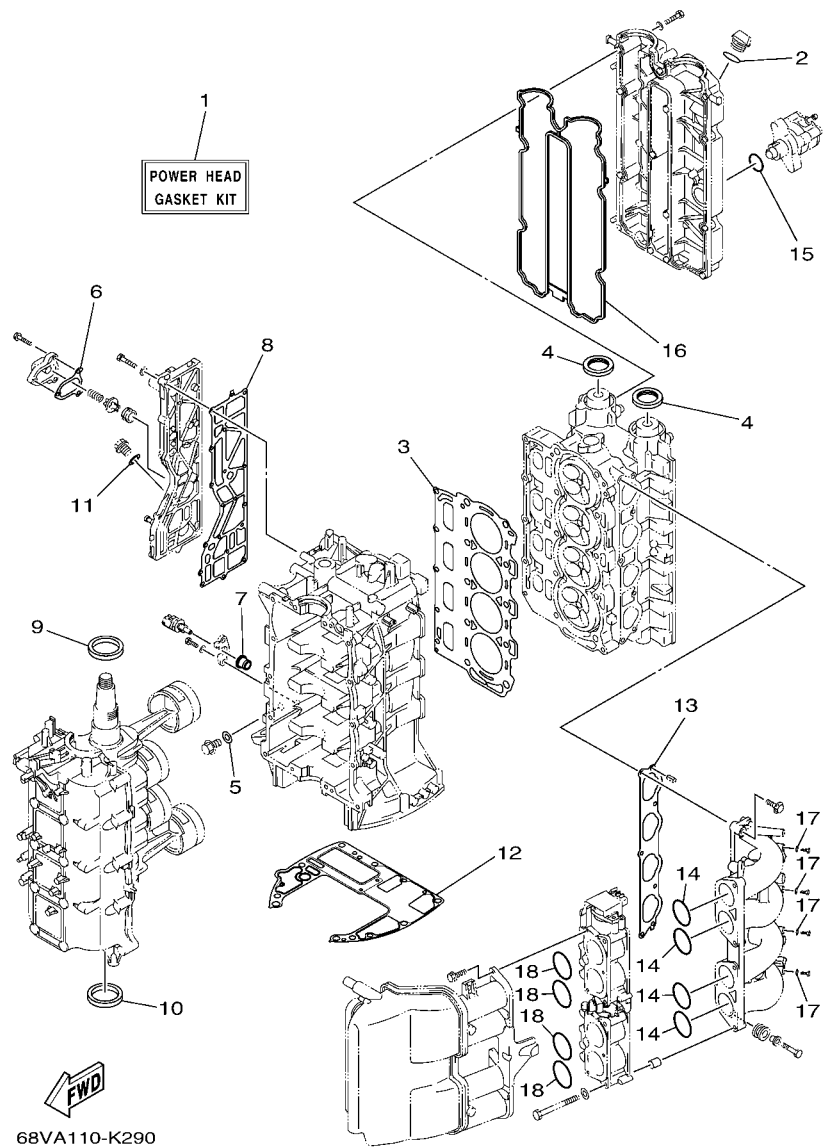


FIG. 29 REPAIR KIT 1

REF. NO.	PART NO.	DESCRIPTION	TLR	TXR	TJR	REMARKS
1	68V-W0001-05	POWER HEAD GASKET KIT	1	1	1	
2	93210-24M79	.O-RING	1	1	1	
3	67F-11181-03	.GASKET, CYLINDER HEAD 1	1	1	1	
4	93102-38008	.OIL SEAL	2	2	2	
5	90430-14115	.GASKET	1	1	1	
6	67F-12435-A0	.GASKET	1	1	1	
7	68V-85753-00	.GASKET, SENDER UNIT	1	1	1	
8	67F-41114-A2	.GASKET, EXHAUST OUTER COVER	1	1	1	
9	93102-48009	.OIL SEAL	1	1	1	
10	93101-48002	.OIL SEAL	1	1	1	
11	90430-18130	.GASKET	1	1	1	
12	68V-11351-00	.GASKET, CYLINDER	1	1	1	
13	68V-13645-00	.GASKET, MANIFOLD 1	1	1	1	
14	93210-48MG8	.O-RING	4	4	4	
15	93210-30682	.O-RING	1	1	1	
16	6D8-11356-01	.SEAL, CYLINDER 2	1	1	1	
17	90430-06014	.GASKET	4	4	4	
18	93210-48MJ9	.O-RING	4	4	4	

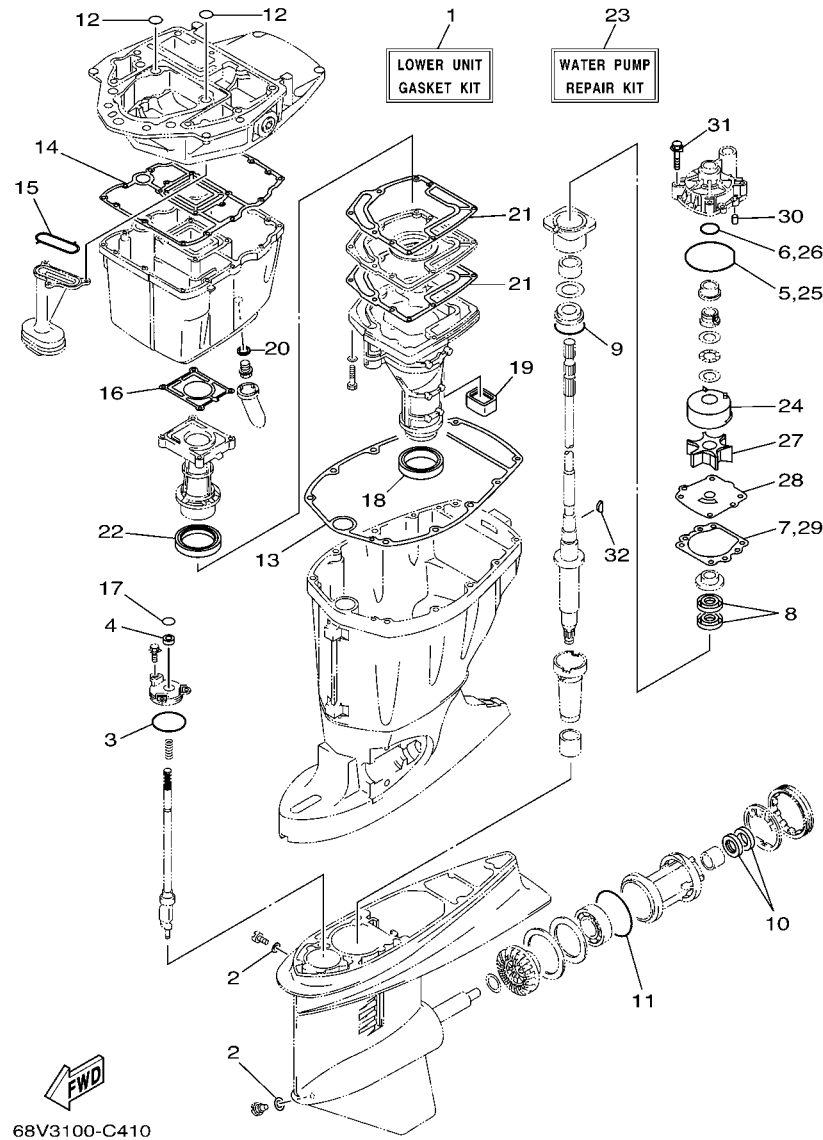


FIG. 30 REPAIR KIT 2

REF. NO.	PART NO.	DESCRIPTION	TLR	TXR	TJR	REMARKS
1	68V-W0001-21	LOWER UNIT GASKET KIT	1	1		
2	90430-08020	.GASKET	2	2		
3	93210-58144	.O-RING	1	1		
4	93106-09014	.OIL SEAL	1	1		
5	93210-86M38	.O-RING	1	1		
6	93210-37160	.O-RING	1	1		
7	6E5-44315-A0	.GASKET, WATER PUMP	1	1		
8	93101-28M16	.OIL SEAL	2	2		
9	93210-55M14	.O-RING	1	1		
10	93101-30M17	.OIL SEAL	2	2		
11	93210-86M39	.O-RING	1	1		
12	93210-19MJ1	.O-RING	2	2		
13	67F-45113-00	.GASKET, UPPER CASING	1	1		
14	68V-15312-00	.GASKET, OIL PAN	1	1		
15	67F-13415-00	.SEAL, OIL STRAINER	1	1		
16	67F-41133-A1	.GASKET, EXHAUST MANIFOLD 1	1	1		
17	93210-09165	.O-RING	1	1		
18	68V-45123-00	.GASKET, MUFFLER	1	1		
19	67F-45127-00	.SEAL	1	1		
20	90430-14M09	.GASKET	1	1		
21	67F-41134-A0	.GASKET, EXHAUST MANIFOLD	2	2		
22	67F-41138-00	.SEAL, EXT. 1	1	1		
23	68V-W0078-00	WATER PUMP REPAIR KIT	1	1		
24	61A-44322-02	.INSERT, CARTRIDGE	1	1		
25	93210-86M38	.O-RING	1	1		
26	93210-37160	.O-RING	1	1		
27	6E5-44352-01	.IMPELLER	1	1		

NUMERICAL INDEX

PART NO.	REF. NO.	PART NO.	REF. NO.	PART NO.	REF. NO.	PART NO.	REF. NO.	PART NO.	REF. NO.	PART NO.	REF. NO.
68V-11110-20-9S	4 - 2	6D8-12153-10	5 - 9	68V-13160-00	8 - 1	68V-13972-00	8 - 15	67F-15142-00	2 - 13	67F-41114-A2	29 - 8
62Y-11119-00	2 - 9	6D8-12153-20	5 - 9	67F-13300-10	24 - 12	68V-13973-10	9 - 20	68V-15311-00-CA	24 - 1	67F-41131-01-CA	23 - 5
67F-11133-10	4 - 3	6D8-12153-30	5 - 9	67F-13314-02	24 - 13	68V-1410B-00	8 - 3	68V-15312-00	24 - 7	67F-41133-A1	23 - 6
67F-11168-00	4 - 19	6D8-12153-40	5 - 9	67F-13329-00	24 - 15	68V-14126-00	9 - 15		30 - 14		30 - 16
67F-11181-03	4 - 14	6D8-12153-50	5 - 9	67F-13338-00	24 - 23	68V-14180-03	9 - 1	63P-15316-00	24 - 2	67F-41134-A0	23 - 14
	29 - 3	6D8-12153-60	5 - 9	67F-13339-00	24 - 22	68V-14181-00	9 - 3	6D8-15362-00	24 - 28		30 - 21
6D8-11191-01-9S	4 - 18	6D8-12153-70	5 - 9	67F-13411-00	24 - 8	68V-14182-01	9 - 2	6G8-15363-00	4 - 33	67F-41137-02-CA	23 - 1
67F-11192-01	4 - 26	6D8-12153-80	5 - 9	67F-13415-00	24 - 11	68V-14191-00	9 - 14	67F-15373-00	6 - 6	67F-41138-00	23 - 16
69J-11301-00	2 - 34	6D8-12153-90	5 - 9		30 - 15	68V-14200-40	7 - 1	69J-21841-02	8 - 13		30 - 22
	4 - 8	6D8-12153-A0	5 - 9	67F-13434-20	1 - 37	68V-14225-00	8 - 5	68V-2247A-10	8 - 26	68V-41237-00	7 - 28
6E5-11325-00	2 - 14	6D8-12153-B0	5 - 9	68V-13435-00	8 - 6	69J-14225-01	9 - 39	68V-2247B-00	8 - 27	6H4-41237-00	7 - 29
67F-11325-01	2 - 35	6D8-12153-C0	5 - 9	68V-13437-42	12 - 22	68V-14255-00	9 - 12	68V-2411M-00	8 - 17	68V-42154-00	18 - 34
	4 - 9	6D8-12153-D0	5 - 9	5GH-13440-00	2 - 48	68V-14264-00	8 - 12	68V-24149-00	10 - 25	68V-42157-00	18 - 28
67F-11328-00	2 - 36	6D8-12153-E0	5 - 9	68V-13473-00	7 - 11	68V-14265-00	8 - 23	68V-2417H-00	7 - 36	68V-42171-00	18 - 29
	4 - 10	6D8-12153-F0	5 - 9	67F-13473-01	24 - 14	68V-14291-00	6 - 14	6D8-24311-00	10 - 14	68V-42510-11-8D	20 - 9
68V-11351-00	2 - 43	6D8-12153-G0	5 - 9	67F-13495-00	24 - 16	68V-14292-00	6 - 21	68V-24312-00	17 - 41	68V-42510-31-8D	20 - 9
	29 - 12	6D8-12153-H0	5 - 9	68V-13532-01	9 - 26	68V-14321-00	7 - 4	61A-24316-00	2 - 27	68V-42541-00	2 - 22
6D8-11356-01	4 - 23	6D8-12153-J0	5 - 9	68V-13533-00	9 - 24	68V-14323-00	7 - 3	6Y2-24360-70	11 - 1	68V-42610-12	1 - 1
	29 - 16	6D8-12153-K0	5 - 9	68V-13534-00	9 - 32	68V-14331-00	7 - 5	68V-24374-00	10 - 21	68V-42610-B2	1 - 1
676-11372-00	2 - 17	6D8-12153-L0	5 - 9	68V-13535-00	9 - 36		7 - 7	68V-24377-00	9 - 29	68V-42612-00-8D	1 - 17
68V-11411-00	3 - 1	6D8-12153-M0	5 - 9	68V-13542-00	9 - 23	68V-14356-00	8 - 11	68V-24377-10	10 - 29	68V-42613-00	1 - 15
6D8-11416-00	3 - 4	6D8-12153-N0	5 - 9	68V-13543-01	9 - 38	68V-14357-00	8 - 21	68V-24378-00	2 - 26	68V-42615-00	1 - 21
6D8-11416-10	3 - 4	6D8-12153-P0	5 - 9	68V-13544-00	9 - 25	68V-14386-00	9 - 6	68V-24379-00	9 - 30	68V-42617-00	1 - 30
6D8-11416-20	3 - 4	6D8-12153-R0	5 - 9	68V-13545-00	9 - 27	68V-14397-00	8 - 7	6D8-24410-00	10 - 15	68V-42619-00	1 - 31
6D8-11417-00	3 - 5	6D8-12153-S0	5 - 9	68V-13546-00	9 - 28	68V-14419-10	7 - 24	68V-24411-00	10 - 20	68V-42628-00	1 - 19
6D8-11417-10	3 - 5	6D8-12153-T0	5 - 9	68V-13547-01	9 - 33	68V-1441J-00	7 - 35	68V-24412-00	10 - 16	68V-42632-00	1 - 22
6D8-11417-20	3 - 5	6D8-12153-U0	5 - 9	68V-13573-00	7 - 21	68V-1441L-00	7 - 31	68V-24413-00	10 - 22	68V-42647-00	1 - 2
6D8-11417-30	3 - 5	6D8-12153-V0	5 - 9	68V-13574-00	7 - 20	68V-14428-00	8 - 19	6D8-24414-00	10 - 23	67F-42649-00	1 - 11
6D8-11418-00	3 - 6	6D9-12171-00	5 - 10	68V-13577-00	9 - 19	68V-14440-00	6 - 16	68V-24423-00	10 - 19	68V-42651-00	1 - 5
6D8-11418-10	3 - 6	6D8-12181-00	5 - 11		9 - 31	68V-14446-00	8 - 22	68V-24444-00	10 - 24	68V-42652-00	1 - 8
6D8-11418-20	3 - 6	60V-12411-00	4 - 28	68V-13593-00	9 - 21	68V-14453-00	7 - 34	68V-24452-00	10 - 31	67F-42662-00	1 - 14
6D8-11536-00	5 - 22	67F-12412-00	4 - 29	67F-13631-03	24 - 20	68V-14475-00	7 - 23	68V-24454-00	10 - 17	68V-42677-10	1 - 25
67F-11537-00	5 - 13	68V-12413-00-9S	4 - 30	68V-13641-00-94	7 - 25		8 - 20	68V-24460-01	9 - 37	68V-42677-A0	1 - 25
67F-11590-00	5 - 17	6G5-12416-00	2 - 28	68V-13645-00	6 - 5	68V-14496-00	7 - 19	6D8-24469-00	10 - 7	68V-42678-10	1 - 26
67F-11595-00	5 - 20	67F-12435-A0	2 - 32		29 - 13	68V-14511-00	7 - 13	68V-24502-20	9 - 34	68V-42678-B0	1 - 26
6D8-11603-01	3 - 9		29 - 6	68V-13716-00	9 - 22	68V-14546-00	9 - 16	68V-24519-00	8 - 16	68V-42681-10	1 - 28
6D8-11604-01	3 - 9	67F-1243A-00	2 - 40	68V-13751-01	7 - 2	68V-14565-00	8 - 10	6D8-24519-00	10 - 8	68V-42682-10	1 - 29
68V-11656-00	3 - 10	67F-1246A-01-9S	2 - 31	68V-13752-01	7 - 6	68V-14567-00	9 - 11	6D8-24560-00	10 - 3	68V-42710-01-8D	17 - 1
68V-11656-10	3 - 10	67F-12535-01	17 - 31	68V-13766-00	8 - 4	68V-14592-00	9 - 13	6D8-24562-00	10 - 6	648-42715-00	18 - 25
68V-11656-20	3 - 10	68T-12572-00	17 - 30	67F-13769-00	24 - 18	68V-14711-10-CA	23 - 9	6D8-24563-00	10 - 4	61A-42716-00	17 - 43
68V-11656-30	3 - 10	6R3-12581-00	17 - 38	68V-13769-00	9 - 4	68V-14711-30-CA	23 - 9	6D8-24564-00	10 - 5	67F-42717-00	17 - 25
6D8-12111-00	5 - 1	6R3-12582-00	17 - 39	68V-13781-10	9 - 7	68V-14777-00	7 - 22	60C-24566-00	10 - 10	68V-42718-00	1 - 20
6D8-12113-00	5 - 4	6R3-12583-00	17 - 40	68V-13784-00	9 - 9		8 - 18	68V-2481H-00	8 - 28	67F-42724-00	23 - 29
6D8-12116-00	5 - 3	68V-13105-00	7 - 8	68V-13906-01	8 - 9	68V-14807-11	9 - 18		9 - 35	68V-42725-00	17 - 19
26H-12117-00	5 - 5	67F-13119-01	24 - 17	68V-13907-03	9 - 17	68V-14960-00	7 - 9	67F-28100-01	10 - 32	6H1-42726-21	17 - 22
4G0-12118-00	5 - 6	68V-1312A-00	7 - 10	67F-13914-00	24 - 19	68V-14984-00	9 - 10	67F-2812A-00	14 - 24	6G1-42727-00	23 - 4
6D8-12121-00	5 - 2	63P-13131-00	10 - 18	68V-13915-00	9 - 8	68V-14985-00	9 - 5	6D8-41113-30-9S	2 - 16	68V-42738-00-8D	17 - 17
6D8-12153-00	5 - 9	67F-13149-00	24 - 21	68V-13971-00	8 - 14	68V-15100-02-9S	2 - 2	67F-41114-A2	2 - 20	67F-42741-01-8D	17 - 44

NUMERICAL INDEX

PART NO.	REF. NO.	PART NO.	REF. NO.	PART NO.	REF. NO.	PART NO.	REF. NO.	PART NO.	REF. NO.	PART NO.	REF. NO.
6H4-42748-00	17 - 24	64E-43843-10	22 - 38	61A-44311-01	25 - 24	6E5-45318-00	23 - 21	688-45932-60-98	26 - 27	68V-81800-01	16 - 1
68F-42753-00	17 - 50	64E-4384J-00	21 - 19	6E5-44312-00	26 - 4	6E5-45321-00	25 - 13	68V-45941-00-EL	26 - 27	67F-81801-00	16 - 5
67F-42756-01	17 - 20	64E-43850-00	22 - 15		26 - 21	6E5-45331-00-9S	25 - 34	6E5-45941-00-EL	26 - 27	67F-81807-00	16 - 10
67F-42761-01	2 - 44	66Y-43851-00	22 - 11	6E5-44315-A0	25 - 31	6E5-45332-00-CA	25 - 58	68V-45943-00-EL	26 - 27	67F-81808-00	16 - 8
6AH-42794-40	17 - 54	68V-43855-00	22 - 14		30 - 7	688-45341-10	25 - 7	6E5-45943-00-EL	26 - 27	67F-81809-00	16 - 19
67F-42815-00-8D	17 - 5	64E-43858-00	22 - 12		30 - 29	6E5-45344-00	25 - 40	6E5-45945-01-EL	26 - 27	67F-81810-00	16 - 3
67F-42816-00-8D	17 - 6	6AW-43858-00	22 - 18	61A-44322-02	25 - 25	6E5-45371-01	26 - 15	6E5-45947-00-EL	26 - 27	67F-81813-00	16 - 6
68V-42818-01	17 - 9	6E5-43858-00	21 - 29		30 - 24	688-45375-00	26 - 10	6E5-45949-00-EL	26 - 27	68F-81820-00	16 - 7
67F-42828-00-8D	17 - 7	72X-43858-00	22 - 5	68V-44323-00	25 - 30	663-45376-00	26 - 9	6E5-45952-00-EL	26 - 27	67F-81821-00	16 - 13
68V-43111-01-8D	19 - 1	64E-43859-00	22 - 13		30 - 28	6E5-45378-00	25 - 10	6E5-45954-00-EL	26 - 27	6K7-81826-11	16 - 24
68V-43112-01-8D	19 - 9	64E-43860-01	22 - 20	6E5-44352-01	25 - 28	688-45383-02	25 - 68	6E5-45956-00-EL	26 - 27	67F-81828-00	16 - 25
64E-43126-00	19 - 37	6E5-43862-00	21 - 11		30 - 27	688-45384-02	25 - 69	688-45970-03-98	26 - 27	68V-8182L-00	7 - 16
64E-43131-01	19 - 15		21 - 15	68V-44361-11	26 - 2	68V-45501-10	25 - 43	62A-45970-10	26 - 27	67F-81830-00	16 - 17
64E-43139-10	20 - 1	6G5-43863-00	22 - 10	68V-44361-30	26 - 2	68V-45501-30	25 - 43	688-45972-02-98	26 - 27	67F-81832-00	16 - 11
64D-43144-00	17 - 14	6E5-43864-00	21 - 21	6E5-44365-00	26 - 3	61A-45527-00	25 - 23	62A-45972-10	26 - 27	67F-81836-00	16 - 12
66T-43144-00	19 - 27	6G5-43864-00	21 - 20		26 - 20	6E5-45536-00	25 - 9	688-45974-02-98	26 - 27	67F-81839-00	16 - 21
6E5-43145-01	27 - 8	64E-43865-00	22 - 16	6E5-44366-00	26 - 1	61A-45538-00	25 - 20	62A-45974-10	26 - 27	67F-8183R-00	16 - 16
6G5-43148-00	19 - 32	6G5-43865-00	22 - 35	6BL-44391-00	1 - 32	68V-45551-00	25 - 44	62A-45976-00	26 - 27	60V-8183T-00	16 - 18
6G5-43181-02	19 - 29	64E-43866-00	21 - 10		17 - 23	68V-45560-00	25 - 46	688-45976-01-98	26 - 27	68F-81840-00	16 - 4
6G5-43185-02	19 - 30	64E-43867-00	21 - 9	67F-44514-01	20 - 26	6E5-45567-01	25 - 5	688-45978-60-98	26 - 27	67F-81841-00	16 - 14
64E-43311-10-8D	19 - 22	64E-43868-00	22 - 3	67F-44526-00	20 - 29	6E5-45567-10	25 - 5	63P-81842-00	26 - 22	67F-81842-00	16 - 20
64E-43311-20-8D	19 - 22	64E-43869-00	21 - 27	6G5-44526-00	19 - 3	6E5-45567-20	25 - 5	688-45997-01	26 - 23	67F-81846-00	16 - 26
63P-43376-00	20 - 6	6H1-4386K-10	22 - 29	67F-44533-00	20 - 31	6E5-45567-30	25 - 5	67F-46241-00	5 - 16	67F-81850-00	16 - 2
68V-43800-04	21 - 1	6E5-43872-00	21 - 13	68F-44533-01	2 - 47	6E5-45567-40	25 - 5	6Y8-48277-00	28 - 16	67F-81857-00	16 - 9
64E-43802-00	22 - 8	64E-43873-00	22 - 24	68V-44551-00-8D	20 - 14	6E5-45567-50	25 - 5	663-48344-00	18 - 3	67F-81869-00	16 - 23
64E-43805-00	22 - 37	6E5-43874-01	21 - 22	68V-44553-00-8D	20 - 24	6E5-45567-60	25 - 5		18 - 26	67F-81891-00	16 - 15
64E-4380F-00	22 - 33	6AW-43875-00	22 - 25	61A-44555-01-94	20 - 17	68V-45571-00	25 - 60	68V-48511-10	20 - 33	68V-81919-10	14 - 45
64E-4380J-00	22 - 30	64E-43879-01	22 - 27	61A-44575-00	20 - 16	6E5-45576-00	25 - 61	67F-48538-00	18 - 1	60V-81925-00	16 - 28
64E-43810-02	21 - 6	64E-43879-11	22 - 26	68V-44581-01	2 - 4	6L6-45577-00	25 - 65	6E5-61350-02	27 - 1	68V-81941-01	16 - 22
64E-43811-02	21 - 7	64E-4387A-00	22 - 23	68V-45111-11-8D	23 - 18	6L6-45577-10	25 - 65	6E5-61351-01	27 - 2	68V-81942-03	14 - 23
6E5-43814-02	21 - 14	68V-43880-03	22 - 28	68V-45111-31-8D	23 - 18	6L6-45577-20	25 - 65	6E5-61355-00	27 - 5	68V-81948-02	14 - 15
64E-43816-00	22 - 17	64E-43883-00	21 - 12	67F-45113-00	23 - 26	6L6-45577-30	25 - 65	68V-81145-00	7 - 32	68V-81949-00	14 - 9
64E-43817-00	21 - 5	64E-4388E-01	21 - 26		30 - 13	6L6-45577-40	25 - 65	68V-81145-01	7 - 14	68V-8194A-00	14 - 3
64E-43817-11	22 - 19	64E-4388E-11	22 - 1	663-45119-00	19 - 14	6L6-45577-50	25 - 65	68V-81146-01	7 - 12	68V-81950-00	14 - 1
6BC-43818-00	21 - 33	6AW-4388J-00	21 - 3		19 - 25	6L6-45577-60	25 - 65	68V-81147-00	7 - 18	68V-81953-00	14 - 4
64E-4381G-00	21 - 28	64E-43891-00	22 - 31	68V-45123-00	23 - 10	6E5-45587-01	25 - 37		8 - 8	68V-8195B-01	14 - 8
64E-43820-02	21 - 16	64E-43892-00	22 - 34		30 - 18	6E5-45587-10	25 - 37	68V-81315-00	15 - 23	68V-81960-10	13 - 14
64E-43821-02	21 - 17	6E5-43896-00	22 - 9	67F-45127-00	23 - 17	6E5-45587-20	25 - 37	445-81328-20	12 - 7	6AH-81994-40	12 - 24
64E-43822-00	21 - 18	64E-43897-00	21 - 25		30 - 19	6E5-45587-30	25 - 37	67F-8132G-01	15 - 1	6AH-81995-40	12 - 23
64E-43825-03	21 - 2	64E-43898-00	21 - 8	67F-45151-00	23 - 23	6E5-45587-40	25 - 37	6D8-81332-00	12 - 16	6AG-81996-00	12 - 25
64E-43827-00	22 - 22	68V-44117-01-94	18 - 5	6C5-45155-00	23 - 25	6E5-45587-50	25 - 37	67F-81337-01	12 - 18	68V-82105-00	14 - 47
64E-43828-01	21 - 23	68V-44118-00-94	18 - 21	67F-45181-00-CA	23 - 15	6E5-45587-60	25 - 37	6D8-81345-20	12 - 5	6G5-82119-00	14 - 7
64E-43829-01	21 - 24	68V-44120-10	18 - 16	688-45214-02	26 - 11	6E5-45611-01	25 - 48	68V-81410-00	12 - 4	682-82119-01	14 - 11
64E-4382G-00	21 - 30	68V-44120-30	18 - 16	688-45215-02	26 - 12	68V-45631-01	25 - 56	68V-81450-00	12 - 1	6E5-82148-00	19 - 6
68V-43830-01	22 - 4	68V-44121-00	18 - 14	6G5-45251-02	19 - 2	6E5-45633-01	25 - 57	68V-81460-00	12 - 2		19 - 10
64E-43831-00	22 - 2	68V-44122-01	18 - 11	68V-45300-12-8D	25 - 1	6E5-45634-01	25 - 50	6D8-81518-00	14 - 25	66K-82149-00	19 - 26
6AW-43841-00	22 - 7	67F-44135-00	18 - 35	68V-45300-32-8D	25 - 1	6K1-45641-01	25 - 49	68V-81528-00	15 - 4	68V-82149-30	19 - 26
64E-43843-00	22 - 6	6L6-44150-01	25 - 17	6E5-45301-05-8D	25 - 2	688-45930-02-98	26 - 27	68V-81673-00	12 - 8	67F-82151-00	14 - 27

NUMERICAL INDEX

PART NO.	REF. NO.	PART NO.	REF. NO.	PART NO.	REF. NO.	PART NO.	REF. NO.	PART NO.	REF. NO.	PART NO.	REF. NO.
67F-82151-10	14 - 28	67F-85790-00	15 - 14	90119-07235	4 - 5	90201-24014	12 - 14	90430-08020	25 - 8	90468-18008	18 - 4
67F-8215B-10	14 - 31	68V-85885-00	7 - 15	90119-08091	20 - 27	90201-26M59	19 - 19		30 - 2		18 - 13
67F-8215B-20	14 - 32	65L-85886-00	6 - 20	90119-08M14	25 - 33	90201-30M92	25 - 66	90430-14115	2 - 8		18 - 27
68V-82310-00	13 - 5	68V-8591A-43	13 - 1		30 - 31	90201-38M60	20 - 10		29 - 5	90480-12314	2 - 12
68V-82310-10	13 - 6	6Y8-86260-10	28 - 2	90119-08M22	17 - 2	90202-07M07	18 - 12	90430-14M09	24 - 4		4 - 22
68V-82317-00	13 - 2	6AA-86261-20	28 - 3	90119-08M58	23 - 28	90202-32M19	20 - 18		30 - 20	90480-13M24	17 - 48
6A0-82317-00	14 - 16	6Y8-86267-00	28 - 1	90119-08M66	2 - 6	90202-40M47	20 - 13	90430-18130	2 - 19	90480-15M31	12 - 20
67F-82361-00	13 - 12	68V-8A360-00	8 - 2	90119-08M68	6 - 2	90206-10M04	18 - 31		29 - 11	90480-20M05	2 - 30
67F-82362-00	13 - 13	K1C-A3275-00	3 - 8	90119-08M91	4 - 17		18 - 41	90445-076K2	26 - 17	90480-22M15	17 - 3
68V-82377-00	17 - 53	K0A-A3721-00	5 - 7	90119-10049	20 - 25	90206-15M18	17 - 11	90445-07ME8	25 - 11	90501-11M10	25 - 19
68V-82380-00	7 - 17	K0A-A3722-00	5 - 8	90119-10050	5 - 14	90206-22M19	25 - 22	90445-07ME9	25 - 11	90501-12082	18 - 24
68V-82388-00	13 - 10	68V-W0001-05	29 - 1	90119-10M08	23 - 19	90249-06M19	19 - 33	90445-10M18	1 - 33	90501-16M11	2 - 29
68V-82504-00	15 - 22	68V-W0001-21	30 - 1	90119-10M72	5 - 21	90250-08M07	25 - 55	90445-13015	10 - 2	90501-16M37	25 - 51
6Y8-82509-10	28 - 8	68V-W0070-10	1 - 27	90119-10M88	2 - 5	90280-04008	5 - 24	90445-15M03	5 - 19	90506-14M24	19 - 36
6Y8-82521-11	28 - 15	68V-W0078-00	30 - 23	90119-10M89	26 - 8	90280-04M05	25 - 29	90447-07007	14 - 30	90506-16M34	17 - 16
6D8-8252H-01	15 - 28	68V-W009A-06-9S	4 - 1	90152-05M07	26 - 13		30 - 32	90447-10003	14 - 29	90506-16M39	5 - 18
68V-82532-00	14 - 10	68V-W009B-10-9S	2 - 1	90155-10005	4 - 16	90280-04M08	12 - 13	90462-06018	17 - 33	90560-12M01	27 - 4
6D8-82544-00	6 - 9	68V-W1164-02	3 - 7	90159-05059	20 - 2	90282-04010	25 - 67	90464-06001	13 - 11	91490-20015	18 - 20
63D-82563-10	15 - 24	68V-W1164-12	3 - 7	90159-06M28	17 - 46	90340-08002	25 - 6	90464-10010	2 - 25	91490-40030	26 - 26
6D8-82581-01	14 - 39	90101-12M05	19 - 40	90159-06M29	4 - 27	90340-14M06	2 - 7	90464-12M58	14 - 20	91690-30020	19 - 35
68F-82582-00	16 - 29	90101-12M77	19 - 40	90167-06002	17 - 32		24 - 3	90464-16001	2 - 50	91690-50014	6 - 4
6P2-82582-00	14 - 33	90105-06M07	2 - 37	90167-06M00	28 - 12	90340-18M09	2 - 18	90464-18004	2 - 24	91809-08006	4 - 6
68V-82582-10	14 - 46		4 - 11	90170-16M01	25 - 45	90344-51019	4 - 4		17 - 52	92903-06100	14 - 49
6P2-82582-10	14 - 34	90105-10M00	26 - 16	90170-40008	5 - 23	90386-06M12	18 - 15	90464-20258	17 - 51	92903-06600	14 - 14
6E5-82587-00	15 - 25	90109-06M80	17 - 15	90171-18M04	26 - 25	90386-10M16	19 - 31	90465-06M86	15 - 19		14 - 50
6E5-82588-00	17 - 26		17 - 29	90179-06M28	1 - 18	90386-15M73	17 - 10	90465-08M23	17 - 28	92903-08100	16 - 34
61A-82588-01	18 - 7		17 - 47		18 - 33	90386-22M98	19 - 38	90465-08M63	1 - 34	92903-08600	16 - 31
68V-82588-11	15 - 8	90109-06M81	17 - 27	90179-08003	16 - 27		21 - 34		19 - 23	92907-04600	4 - 21
68V-82590-50	14 - 26	90109-06M82	17 - 8	90179-24002	12 - 15	90386-25M31	19 - 18	90465-11M10	2 - 23	92990-05200	1 - 23
68V-82594-00	14 - 19		17 - 18	90185-05002	26 - 14	90386-38M32	20 - 12		2 - 41		1 - 36
60V-8259F-00	18 - 6	90109-06M86	15 - 27	90185-09M01	27 - 6	90386-90M90	18 - 18		6 - 7	92990-06100	1 - 3
68V-8259N-00	7 - 33		17 - 21	90185-10051	20 - 35	90387-06119	13 - 3		8 - 29		1 - 12
6X4-83383-00	28 - 5		17 - 37	90185-12M12	20 - 32		14 - 17		10 - 9	92990-18200	26 - 24
6X4-83386-00	28 - 6		18 - 2	90185-22M11	19 - 20	90387-06263	24 - 10		10 - 26	92995-06100	12 - 11
6E5-83558-00	26 - 18	90109-12007	20 - 28	90201-06068	17 - 12	90387-06M21	18 - 32		10 - 30		13 - 8
6E5-83558-10	25 - 12	90109-14007	20 - 21	90201-06M30	28 - 13		18 - 36		17 - 42		13 - 16
67F-83614-00	15 - 26	90116-10175	20 - 34	90201-06M31	18 - 42	90387-06M43	17 - 49		19 - 21		13 - 19
68V-83626-00	4 - 35	90119-06M10	25 - 16	90201-09M02	18 - 19	90387-06M71	12 - 19		20 - 5		14 - 36
67F-83627-01	16 - 32	90119-06M49	6 - 15	90201-10060	21 - 31	90387-08M32	6 - 3		26 - 19		15 - 12
67H-83672-01	20 - 3	90119-06M59	13 - 4	90201-10M02	18 - 30	90387-08M37	17 - 4		28 - 10		17 - 35
6Y8-8454G-00	28 - 11		14 - 18		18 - 40	90387-10M05	19 - 34	90465-11M52	14 - 42		18 - 38
72X-85075-L0	22 - 21	90119-06M82	6 - 18	90201-10M20	27 - 7	90387-10M08	4 - 15	90465-12M03	6 - 11		19 - 5
689-85547-00	10 - 1	90119-06M83	10 - 28	90201-12M05	19 - 42	90387-10M61	27 - 3	90465-13M18	14 - 38	92995-06200	17 - 36
68V-85548-00	14 - 21	90119-06M92	12 - 21	90201-12M09	20 - 30	90401-20007	2 - 49		14 - 43	92995-06600	1 - 7
68V-85580-00	12 - 3	90119-06MA2	2 - 33	90201-13M01	19 - 41	90430-06014	8 - 25		14 - 44		1 - 10
68V-85753-00	15 - 16	90119-06MA4	2 - 21	90201-15M58	20 - 20		29 - 17		15 - 7		2 - 11
	29 - 7	90119-06ME1	6 - 19	90201-16M55	20 - 19	90430-06M03	2 - 38	90467-20M15	2 - 42		2 - 46
67F-85757-00	15 - 15	90119-07234	4 - 7	90201-22M01	25 - 21		4 - 12		6 - 8		4 - 25

NUMERICAL INDEX

PART NO.	REF. NO.	PART NO.	REF. NO.	PART NO.	REF. NO.	PART NO.	REF. NO.	PART NO.	REF. NO.	PART NO.	REF. NO.
92995-06600	4 - 32	93210-19MJ1	30 - 12	94702-00400	4 - 36	97095-06035	18 - 37				
	6 - 13	93210-24M79	4 - 34	95333-08600	16 - 33	97095-06040	18 - 9				
	10 - 13		29 - 2	95380-05700	7 - 30	97095-06045	24 - 24				
	12 - 12	93210-30682	10 - 27	95380-06600	1 - 4	97095-08020	6 - 22				
	13 - 9		29 - 15		1 - 13		19 - 16				
	13 - 17	93210-37160	25 - 27		1 - 16	97095-08025	25 - 41				
	13 - 20		30 - 6		17 - 45	97575-06525	18 - 22				
	14 - 37		30 - 26	95380-08600	10 - 11		24 - 5				
	14 - 41	93210-37MH7	20 - 11	95380-12600	19 - 43	97575-08540	2 - 39				
	15 - 3	93210-48MG8	7 - 27	95380-14600	20 - 22		4 - 13				
	15 - 6		29 - 14	95780-06300	28 - 14		6 - 1				
	15 - 10	93210-48MJ9	6 - 17	95780-10300	20 - 7		23 - 2				
	15 - 13		29 - 18	95812-06025	24 - 9	97575-10530	21 - 32				
	15 - 18	93210-55M14	25 - 39	95895-06010	23 - 27	97595-06610	14 - 6				
	15 - 21		30 - 9	95895-06025	6 - 10		14 - 12				
	15 - 30	93210-58144	25 - 14	97013-06020	14 - 13	97607-04110	12 - 6				
	18 - 10		30 - 3		14 - 48	97607-04310	22 - 32				
	18 - 39	93210-86M38	25 - 26	97013-08045	16 - 30	97780-50620	1 - 35				
	19 - 8		30 - 5	97075-06030	23 - 11	97780-50625	1 - 24				
	19 - 12		30 - 25	97075-06070	23 - 7	97780-60620	14 - 5				
	23 - 8	93210-86M39	25 - 64	97075-10045	26 - 6		14 - 22				
	23 - 12		30 - 11	97095-06008	17 - 34		28 - 7				
	24 - 25	93306-208U0	25 - 59	97095-06010	8 - 24	97780-60625	14 - 2				
92995-08100	19 - 17	93315-425U7	25 - 47		19 - 7	97880-06035	28 - 12				
92995-08600	6 - 23	93315-430U8	25 - 62		19 - 28	97885-06012	19 - 11				
	25 - 42	93315-628U9	25 - 3	97095-06012	1 - 6	97885-06016	20 - 4				
92995-10100	26 - 7	93317-330U2	25 - 36		1 - 9	97980-06216	23 - 24				
92995-10600	20 - 8	93332-000U7	25 - 4		6 - 12		28 - 4				
92995-14600	20 - 23	93341-930V2	25 - 38		15 - 9	97985-04116	18 - 8				
93101-28M16	25 - 35	93410-22M11	19 - 39		15 - 20	97985-06210	12 - 17				
	30 - 8	93410-37M04	20 - 15		15 - 29	98507-04008	4 - 20				
93101-30M17	25 - 63	93420-36M01	23 - 22	97095-06014	14 - 40	98780-04016	2 - 15				
	30 - 10	93501-04M02	18 - 23	97095-06016	10 - 12	99001-08600	25 - 18				
93101-48002	3 - 3	93503-16003	25 - 54		13 - 18	99530-08012	12 - 9				
	29 - 10	93507-32009	25 - 52		14 - 35	99530-10114	7 - 26				
93102-08M43	22 - 36	93511-32017	25 - 53		15 - 2						
93102-38008	5 - 15	93604-12M07	24 - 26		15 - 5						
	29 - 4	93605-10108	5 - 12		15 - 11						
93102-48009	3 - 2	93606-12019	2 - 3		15 - 17						
	29 - 9		24 - 6		17 - 13						
93106-09014	25 - 15		25 - 32	97095-06020	2 - 10						
	30 - 4		30 - 30	97095-06025	2 - 45						
93210-04279	28 - 9	93606-19M23	23 - 13		4 - 31						
93210-09165	18 - 17	93608-12M05	26 - 5		13 - 7						
	30 - 17	93608-16M16	23 - 3		13 - 15						
93210-10M74	21 - 4		23 - 20	97095-06030	4 - 24						
93210-16275	27 - 9	93700-06M03	19 - 13		12 - 10						
93210-19MJ1	24 - 27		19 - 24		19 - 4						