



# PARTS CATALOGUE

## LF115TR-2011 (68WA)

---



1K68W-110E1

( )

LF115TR  
PARTS CATALOGUE  
©2010 by Yamaha Motor Co., Ltd.  
1st edition, April 2010  
All rights reserved.  
Any reprinting or unauthorized use  
without the written permission of  
Yamaha Motor Co., Ltd.  
is expressly prohibited.  
Printed in Japan.

# FOREWORD

This Parts Catalogue is related to the parts for the model(s) on the cover page. When you are ordering replacement parts, please refer to this Parts Catalogue and quote both part numbers and part names correctly.

1. Modifications or additions which have been made after the issue of the Parts Catalogue will be announced in the Parts News.  
It is advisable that you make the necessary corrections to the Parts Catalogue according to the Parts News.

2. Abbreviations

The following abbreviations are used in this Parts Catalogue.

“UR” Use specified parts number.

“UN” Use as many as needed.

“AP” Alternate Parts

“LM” Locally Made (Parts need to be ordered locally)

“F#” Frame No. (Applicable machine No.)

“O/S” Over Size

3. The number of components for assembly

- Parts, which are to be supplied in an assembly, are listed with a dot (.) in front of the part name as shown below.
- The numeral appearing to the right of each component part indicates the quantity of parts for each assembly unit.

PART NO.	DESCRIPTION	Q'TY	REMARKS
2F5-83310-60	FRONT FLASHER LIGHT ASSY	2	
115-83311-60	.BULB (6V-18W)	1	

4. Applicable colours of graphics are represented in the “REMARKS” as shown below.

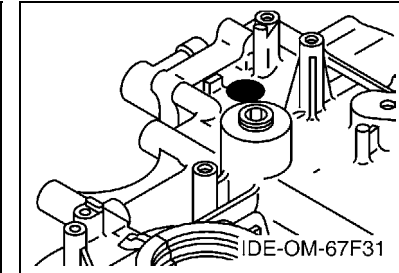
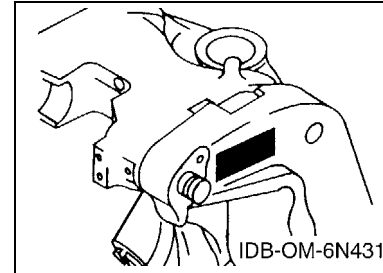
PART NO.	DESCRIPTION	Q'TY	REMARKS
2N4-24110-00-X5	FUEL TANK COMP.	2	MXR
3J1-24240-10	.GRAPHIC, FUEL TANK	1	FOR MXR

5. Note that the illustrations for reference in finding parts numbers are not to be used for assembling. When assembling, please use the applicable service manual.

6. The asterisk (\*) before a reference number indicates modified items after the first edition.

7. Applicable Serial No.

Engine Serial No.



8. Applicable Engine Starting Serial No.

Model	Serial No.	Model	Serial No.
LF115	68W-1004693		

9. Applicable Colour Code

Abbreviation	Colour Name	Colour Code
DBN1	DARK BLUISH GRAY 1	008D

10. Quantity Column Information

Column No.	Name Of Q'ty Column	Applicable Model
1	68WA	LF115TR

# CONTENTS

TOP COWLING .....	1
CYLINDER & CRANKCASE 1 .....	3
CRANKSHAFT & PISTON .....	5
CYLINDER & CRANKCASE 2 .....	6
VALVE .....	8
INTAKE 1 .....	10
INTAKE 2 .....	11
FUEL INJECTION NOZZLE .....	13
FUEL INJECTION PUMP .....	15
FUEL 1 .....	17
FUEL 2 .....	19
GENERATOR .....	20
ELECTRICAL 1 .....	21
ELECTRICAL 2 .....	22
ELECTRICAL 3 .....	24
STARTING MOTOR .....	26
BOTTOM COWLING .....	28
CONTROL .....	30
BRACKET 1 .....	32
BRACKET 2 .....	34
POWER TRIM & TILT ASSY 1 .....	36
POWER TRIM & TILT ASSY 2 .....	38
UPPER CASING .....	40
OIL PAN .....	42
LOWER CASING & DRIVE 1 .....	44
LOWER CASING & DRIVE 2 .....	48
STEERING GUIDE .....	50
REPAIR KIT 1 .....	51
REPAIR KIT 2 .....	52

## INDEX

NUMERICAL INDEX .....	54
-----------------------	----

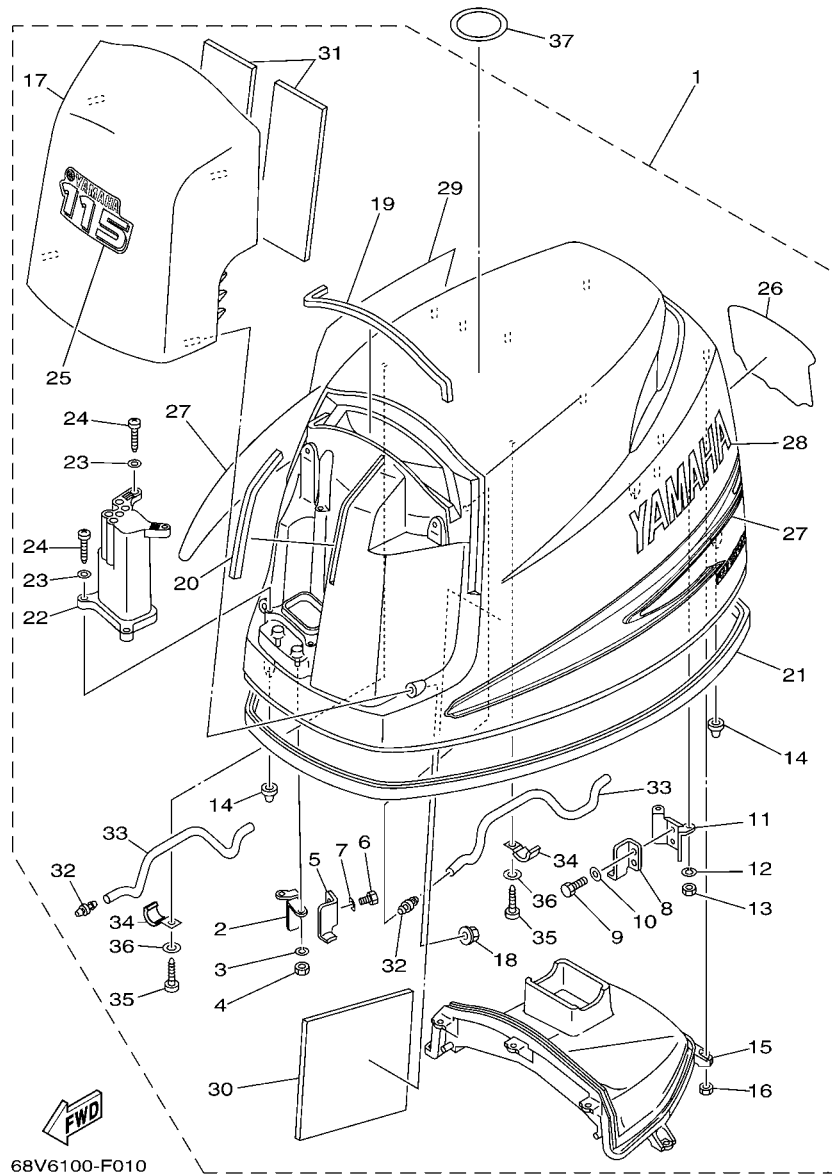


FIG. 1 TOP COWLING

REF. NO.	PART NO.	DESCRIPTION	68WA				REMARKS
1	68V-42610-12	TOP COWLING ASSY	1				
2	68V-42647-00	.HOLDER, CLAMP BAND	1				
3	92990-06100	.WASHER, SPRING	2				
4	95380-06600	.NUT, HEXAGON	2				
5	68V-42651-00	.HOOK	1				
6	97095-06012	.BOLT	2				
7	92995-06600	.WASHER	2				
8	68V-42652-00	.HOOK	1				
9	97095-06012	.BOLT	2				
10	92995-06600	.WASHER	2				
11	67F-42649-00	.HOLDER, CLAMP BAND	1				
12	92990-06100	.WASHER, SPRING	2				
13	95380-06600	.NUT, HEXAGON	2				
14	67F-42662-00	.DAMPER	3				
15	68V-42613-00	.MOLDING, AIR DUCT	1				
16	95380-06600	.NUT, HEXAGON	7				
17	68V-42612-00-8D	.AIR DUCT, TOP COWLING	1				
18	90179-06M28	.NUT	4				
19	68V-42628-00	.SEAL	1				
20	68V-42718-00	.RUBBER, SEAL 3	1				
21	68V-42615-00	.SEAL	1				
22	68V-42632-00	.WINDOW	1				
23	92990-05200	.WASHER, PLAIN	4				
24	97780-50625	.SCREW, TAPPING	4				
25	68V-42677-10	.GRAPHIC, FRONT	1				
26	68V-42678-10	.GRAPHIC, REAR	1				
27	68V-W0070-10	.GRAPHIC SET	1				

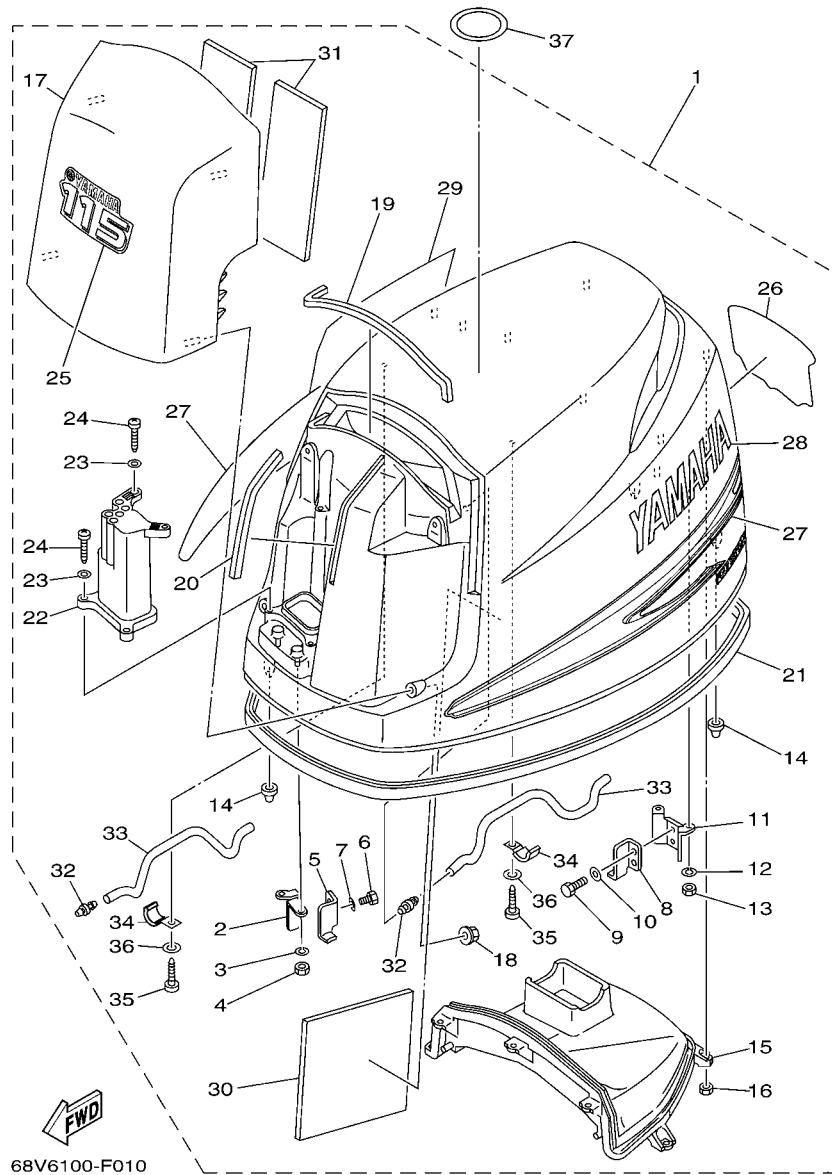


FIG. 1 TOP COWLING

REF. NO.	PART NO.	DESCRIPTION	68VWA				REMARKS
28	68V-42681-10	.MARK, COWLING	1				
29	68V-42682-10	.MARK, COWLING	1				
30	68V-42617-00	.DAMPER, FORM	1				
31	68V-42619-00	.DAMPER, FORM	2				
32	6BL-44391-00	.NIPPLE, HOSE	2				
33	90445-10M18	.HOSE (L295)	2				
34	90465-08M63	.CLAMP	2				
35	97780-50620	.SCREW, TAPPING	2				
36	92990-05200	.WASHER, PLAIN	2				
37	67F-13434-20	LABEL, CAUTION	1				

1  
CYLINDER BLOCK  
ASSY

Fig. 2, CYLINDER & CRANKCASE 1  
Ref. No. 2 to 11, 14 to 39,  
43 to 47, 49

Fig. 3, CRANKSHAFT & PISTON  
Ref. No. 1 to 10

Fig. 4, CYLINDER & CRANKCASE 2  
Ref. No. 14

Fig. 5, VALVE  
Ref. No. 20, 22 to 24

Fig. 6, INTAKE 1  
Ref. No. 5, 9 to 13

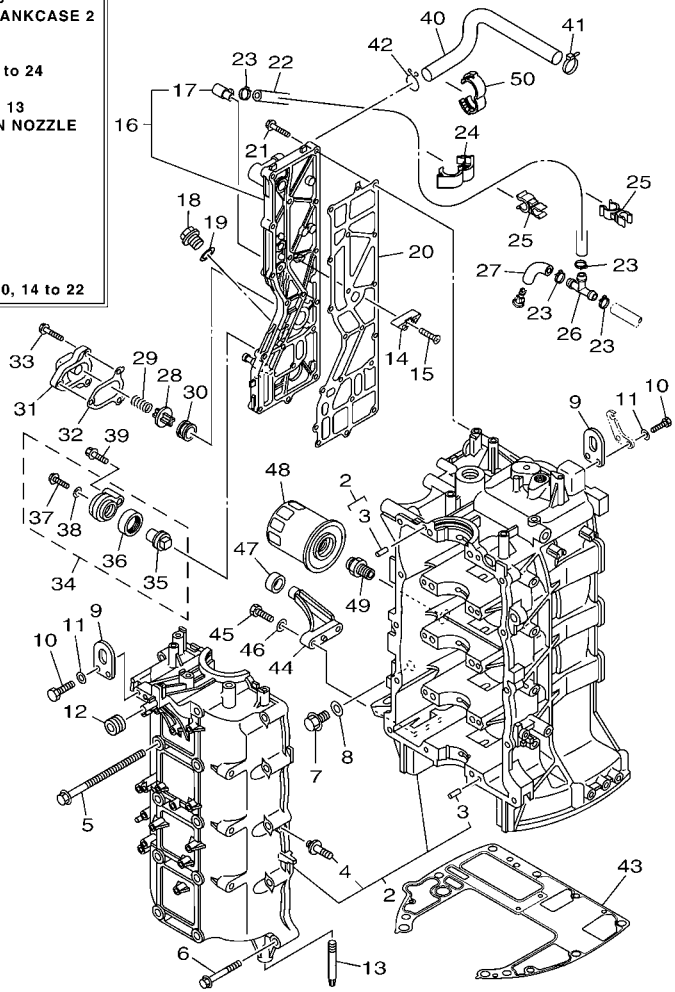
Fig. 8, FUEL INJECTION NOZZLE  
Ref. No. 16, 26

Fig. 10, FUEL 1  
Ref. No. 27

Fig. 12, GENERATOR  
Ref. No. 8

Fig. 13, ELECTRICAL 1  
Ref. No. 12

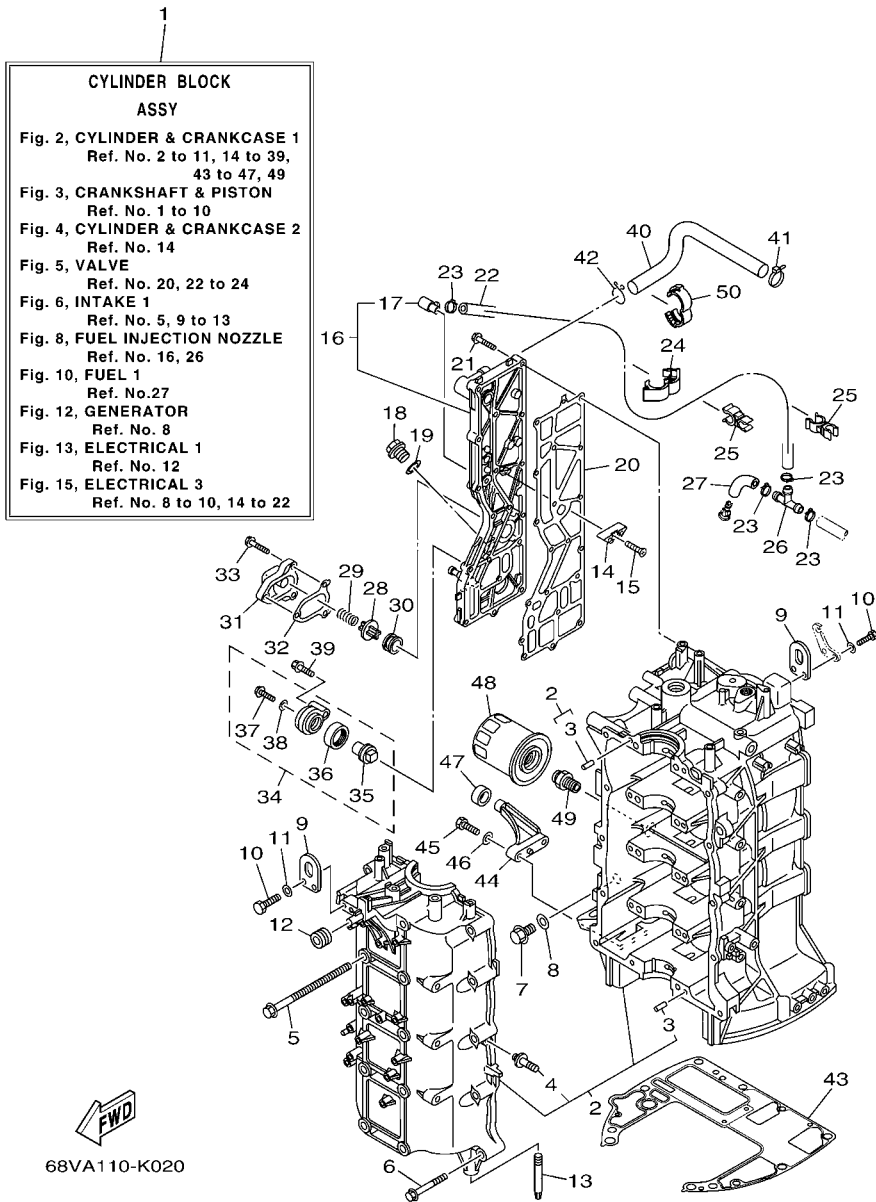
Fig. 15, ELECTRICAL 3  
Ref. No. 8 to 10, 14 to 22



68VA110-K020

FIG. 2 CYLINDER & CRANKCASE 1

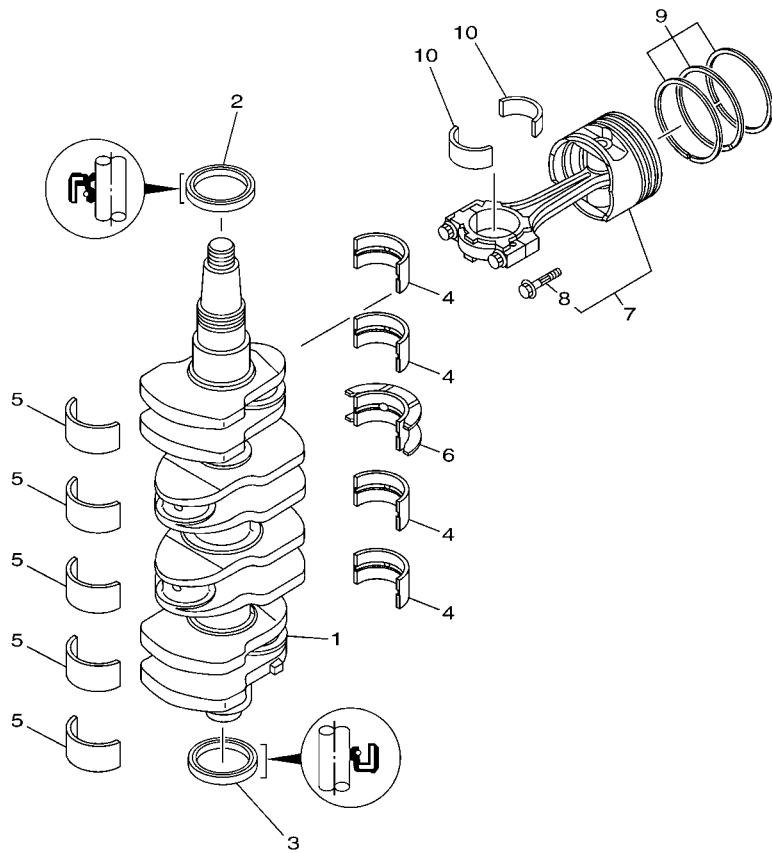
REF. NO.	PART NO.	DESCRIPTION	68VA				REMARKS
1	68V-W009B-10-9S	CYLINDER BLOCK ASSY	1				
2	68V-15100-02-9S	CRANKCASE ASSY	1				
3	93606-12019	.PIN, DOWEL	10				
4	68V-44581-01	.BOLT	1				
5	90119-10M88	BOLT, WITH WASHER	10				
6	90119-08M66	BOLT, WITH WASHER	10				
7	90340-14M06	PLUG, STRAIGHT SCREW	1				
8	90430-14115	GASKET	1				
9	62Y-11119-00	HANGER, ENGINE	2				
10	97095-06020	BOLT	4				
11	92995-06600	WASHER	4				
12	90480-12314	GROMMET	1				
13	67F-15142-00	GUIDE 1	2				
14	6E5-11325-00	ANODE	3				
15	98780-04016	SCREW, FLAT HEAD	3				
16	6D8-41113-30-9S	OUTER COVER, EXHAUST	1				
17	676-11372-00	.NIPPLE, HOSE	1				
18	90340-18M09	PLUG, STRAIGHT SCREW	1				
19	90430-18130	GASKET	1				
20	67F-41114-A2	GASKET, EXHAUST OUTER COVER	1				
21	90119-06MA4	BOLT, WITH WASHER	18				
22	68V-42541-00	PIPE 1	1				
23	90465-11M10	CLAMP	4				
24	90464-18004	CLAMP	1				
25	90464-10010	CLAMP	2				
26	688-24378-00	PIPE, JOINT 3	1				
27	61A-24316-00	PIPE 6	1				



**FIG. 2 CYLINDER & CRANKCASE 1**

REF. NO.	PART NO.	DESCRIPTION	68VA				REMARKS
28	6G5-12416-00	VALVE, PRESSURE CONTROL	1				
29	90501-16M11	SPRING, COMPRESSION	1				
30	90480-20M05	GROMMET	1				
31	67F-1246A-01-9S	COVER 1	1				
32	67F-12435-A0	GASKET	1				
33	90119-06MA2	BOLT, WITH WASHER	3				
34	69J-11301-00	ANODE COVER ASSY	1				
35	67F-11325-01	.ANODE	1				
36	67F-11328-00	.GROMMET, ANODE	1				
37	90105-06M07	.BOLT, FLANGE	1				
38	90430-06M03	.GASKET	1				
39	97575-08540	BOLT, WITH WASHER	1				
40	67F-1243A-00	HOSE 1	1				
41	90465-11M10	CLAMP	1				
42	90467-20M15	CLIP	1				
43	68V-11351-00	GASKET, CYLINDER	1				
44	67F-42761-01	STOPPER	2				
45	97095-06025	BOLT	4				
46	92995-06600	WASHER	4				
47	68F-44533-01	DAMPER, UPPER MOUNT RUBBER	2				
48	5GH-13440-00	ELEMENT ASSY, OIL CLEANER	1				
49	90401-20007	BOLT, UNION	1				
50	90464-16001	CLAMP	1				

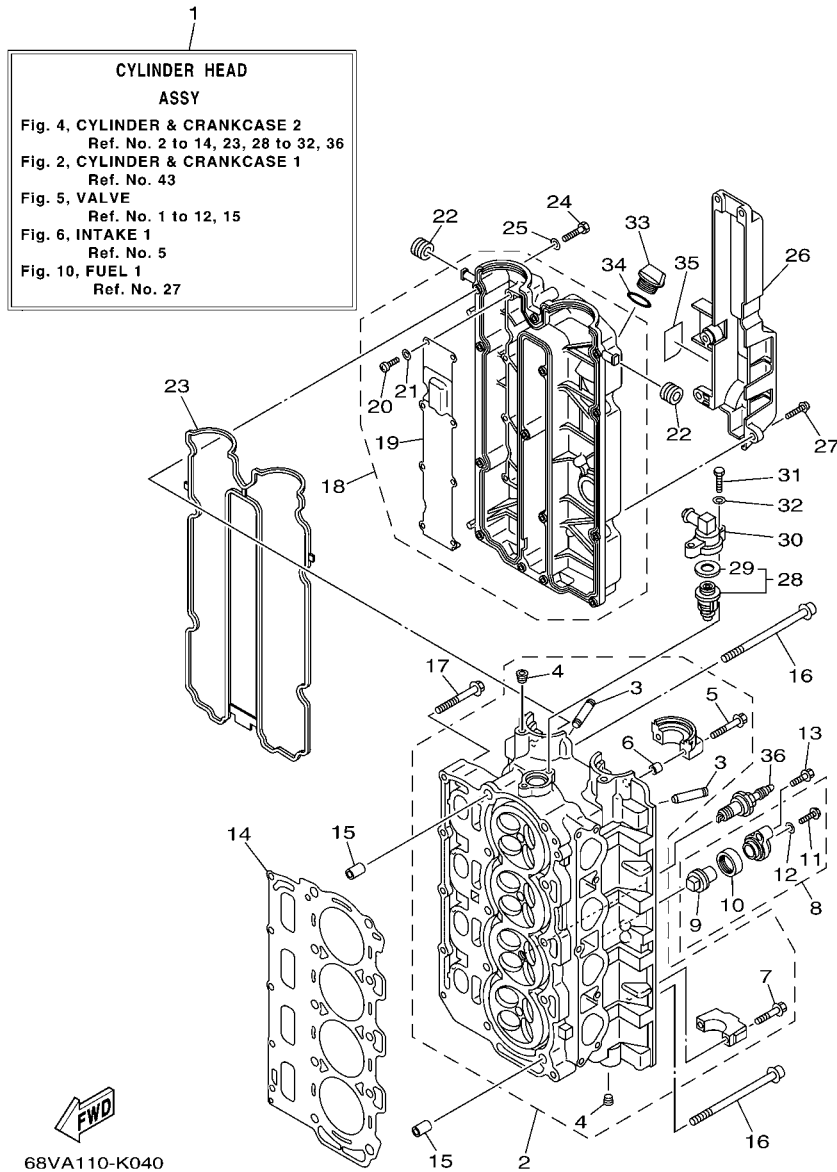




**FWD**  
68VA110-K030

**FIG. 3 CRANKSHAFT & PISTON**

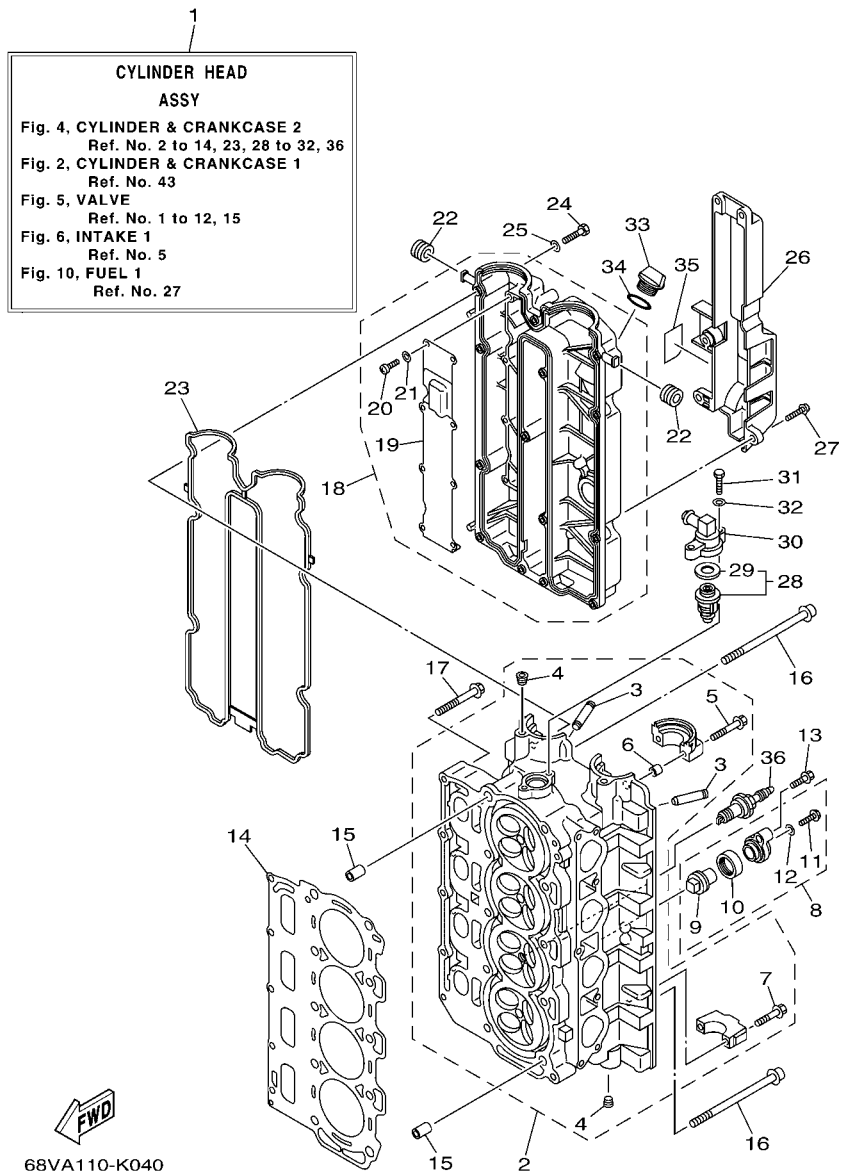
REF. NO.	PART NO.	DESCRIPTION	68VA			REMARKS
1	68V-11411-00	CRANKSHAFT	1			
2	93102-48009	OIL SEAL	1			
3	93101-48002	OIL SEAL	1			
4	6D8-11416-00	PLANE BEARING, CRANKSHAFT 1	4			UR GREEN
	6D8-11416-10	PLANE BEARING, CRANKSHAFT 1	4			UR BLUE
	6D8-11416-20	PLANE BEARING, CRANKSHAFT 1	4			UR RED
5	6D8-11417-00	PLANE BEARING, CRANKSHAFT 2	5			UR YELLOW
	6D8-11417-10	PLANE BEARING, CRANKSHAFT 2	5			UR GREEN
	6D8-11417-20	PLANE BEARING, CRANKSHAFT 2	5			UR BLUE
	6D8-11417-30	PLANE BEARING, CRANKSHAFT 2	5			UR RED
6	6D8-11418-00	PLANE BEARING, CRANKSHAFT 3	1			UR GREEN
	6D8-11418-10	PLANE BEARING, CRANKSHAFT 3	1			UR BLUE
	6D8-11418-20	PLANE BEARING, CRANKSHAFT 3	1			UR RED
7	68V-W1164-02	PISTON/CON-ROD ASSY STD	4			
	68V-W1164-12	PISTON/CON-ROD ASSY(0.25MM OS)	4			AP
8	K1C-A3275-00	.BOLT, CONNECTING ROD	2			
9	6D8-11603-01	PISTON RING SET (STD)	4			
	6D8-11604-01	PISTON RING SET (0.25MM O/S)	4			AP
10	68V-11656-00	PLANE BEARING, CONNECTING ROD	8			UR YELLOW
	68V-11656-10	PLANE BEARING, CONNECTING ROD	8			UR GREEN
	68V-11656-20	PLANE BEARING, CONNECTING ROD	8			UR BLUE
	68V-11656-30	PLANE BEARING, CONNECTING ROD	8			UR RED



68VA110-K040

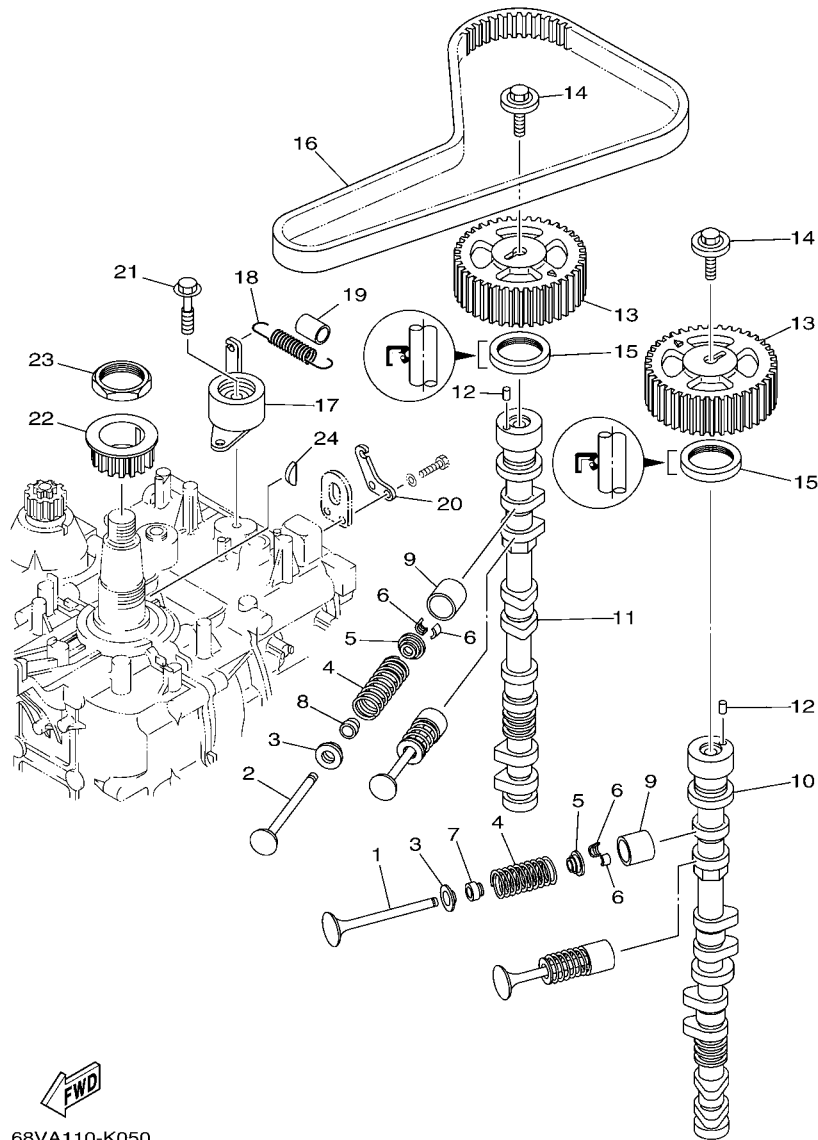
FIG. 4 CYLINDER & CRANKCASE 2

REF. NO.	PART NO.	DESCRIPTION	68VA				REMARKS
1	68V-W009A-06-9S	CYLINDER HEAD ASSY	1				
2	68V-11110-20-9S	CYLINDER HEAD ASSY	1				
3	67F-11133-10	.GUIDE, VALVE 1	16				
4	90344-51019	.PLUG, TAPER SCREW	4				
5	90119-07235	.BOLT/WASHER-CAM CAPS	4				
6	91809-08006	.PIN, DOWEL	4				
7	90119-07234	.BOLT, WITH WASHER	16				
8	69J-11301-00	ANODE COVER ASSY	2				
9	67F-11325-01	.ANODE	1				
10	67F-11328-00	.GROMMET, ANODE	1				
11	90105-06M07	.BOLT, FLANGE	1				
12	90430-06M03	.GASKET	1				
13	97575-08540	BOLT, WITH WASHER	2				
14	67F-11181-03	GASKET, CYLINDER HEAD 1	1				
15	90387-10M08	COLLAR	2				
16	90155-10005	SCREW, FLAT FILLISTER	10				
17	90119-08M91	BOLT, WITH WASHER	5				
18	6D8-11191-01-9S	COVER, CYLINDER HEAD 1	1				
19	67F-11168-00	.COVER, BREATHER	1				
20	98507-04008	.SCREW, PAN HEAD	8				
21	92907-04600	.WASHER	8				
22	90480-12314	GROMMET	2				
23	6D8-11356-01	SEAL, CYLINDER 2	1				
24	97095-06030	BOLT	14				
25	92995-06600	WASHER	14				
26	67F-11192-01	COVER, CYLINDER HEAD 2	1				
27	90159-06M29	SCREW, WITH WASHER	5				



**FIG. 4 CYLINDER & CRANKCASE 2**

REF. NO.	PART NO.	DESCRIPTION	68VA				REMARKS
28	60V-12411-00	THERMOSTAT	1				
29	67F-12412-00	.SEAL, THERMOSTAT	1				
30	68V-12413-00-9S	COVER, THERMOSTAT	1				
31	97095-06025	BOLT	2				
32	92995-06600	WASHER	2				
33	6G8-15363-00	PLUG, OIL	1				
34	93210-24M79	O-RING	1				
35	68V-83626-00	MARK 6	1				
36	94702-00400	PLUG, SPARK (NGK LFR6A-11)	4				



68VA110-K050

FIG. 5 VALVE

REF. NO.	PART NO.	DESCRIPTION	68VA				REMARKS
1	6D8-12111-00	VALVE, INTAKE	8				
2	6D8-12121-00	VALVE, EXHAUST	8				
3	6D8-12116-00	SEAT, VALVE SPRING	16				
4	6D8-12113-00	SPRING, VALVE INNER	16				
5	26H-12117-00	RETAINER, VALVE SPRING	16				
6	4G0-12118-00	COTTER, VALVE	32				
7	K0A-A3721-00	SEAL, VALVE STEM	8				
8	K0A-A3722-00	SEAL, VALVE STEM 2	8				
9	6D8-12153-00	LIFTER, VALVE (12)	16				UR
	6D8-12153-10	LIFTER, VALVE (14)	16				UR
	6D8-12153-20	LIFTER, VALVE (16)	16				UR
	6D8-12153-30	LIFTER, VALVE (18)	16				UR
	6D8-12153-40	LIFTER, VALVE (20)	16				UR
	6D8-12153-50	LIFTER, VALVE (22)	16				UR
	6D8-12153-60	LIFTER, VALVE (24)	16				UR
	6D8-12153-70	LIFTER, VALVE (26)	16				UR
	6D8-12153-80	LIFTER, VALVE (28)	16				UR
	6D8-12153-90	LIFTER, VALVE (30)	16				UR
	6D8-12153-A0	LIFTER, VALVE (32)	16				UR
	6D8-12153-B0	LIFTER, VALVE (34)	16				UR
	6D8-12153-C0	LIFTER, VALVE (36)	16				UR
	6D8-12153-D0	LIFTER, VALVE (38)	16				UR
	6D8-12153-E0	LIFTER, VALVE (40)	16				UR
	6D8-12153-F0	LIFTER, VALVE (42)	16				UR
	6D8-12153-G0	LIFTER, VALVE (44)	16				UR
	6D8-12153-H0	LIFTER, VALVE (46)	16				UR
	6D8-12153-J0	LIFTER, VALVE (48)	16				UR

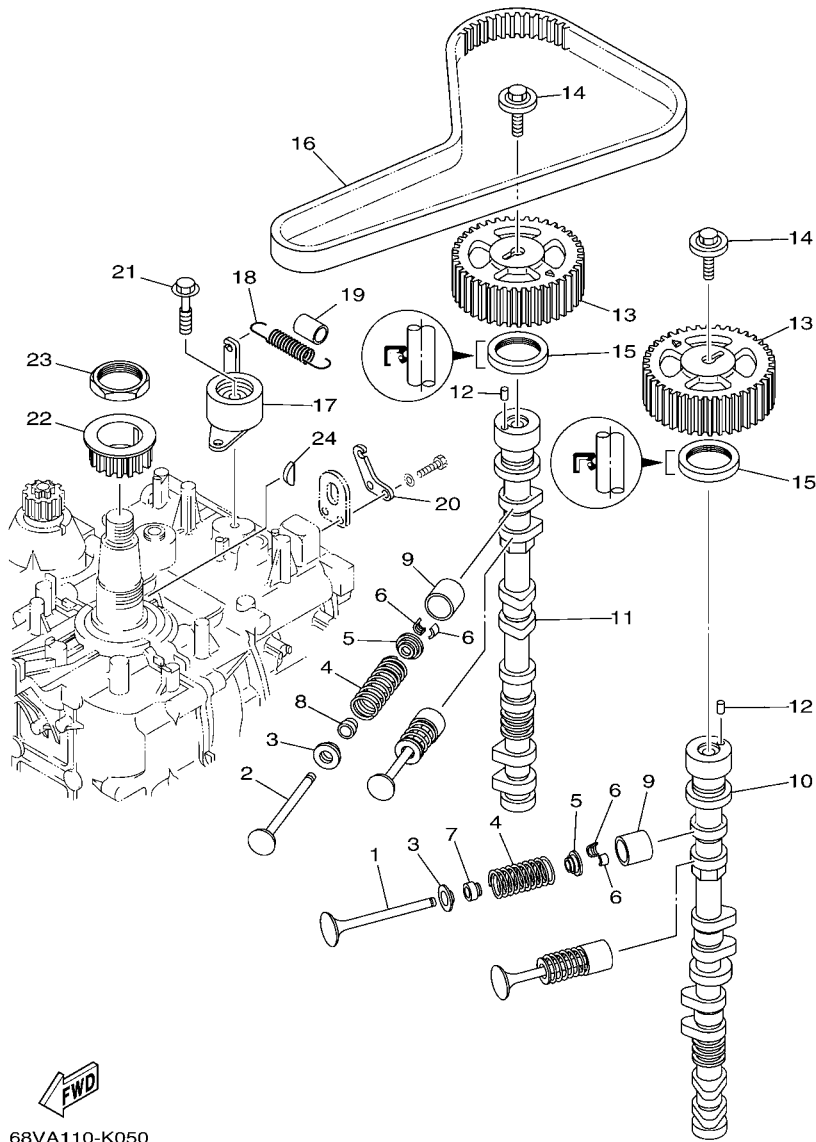
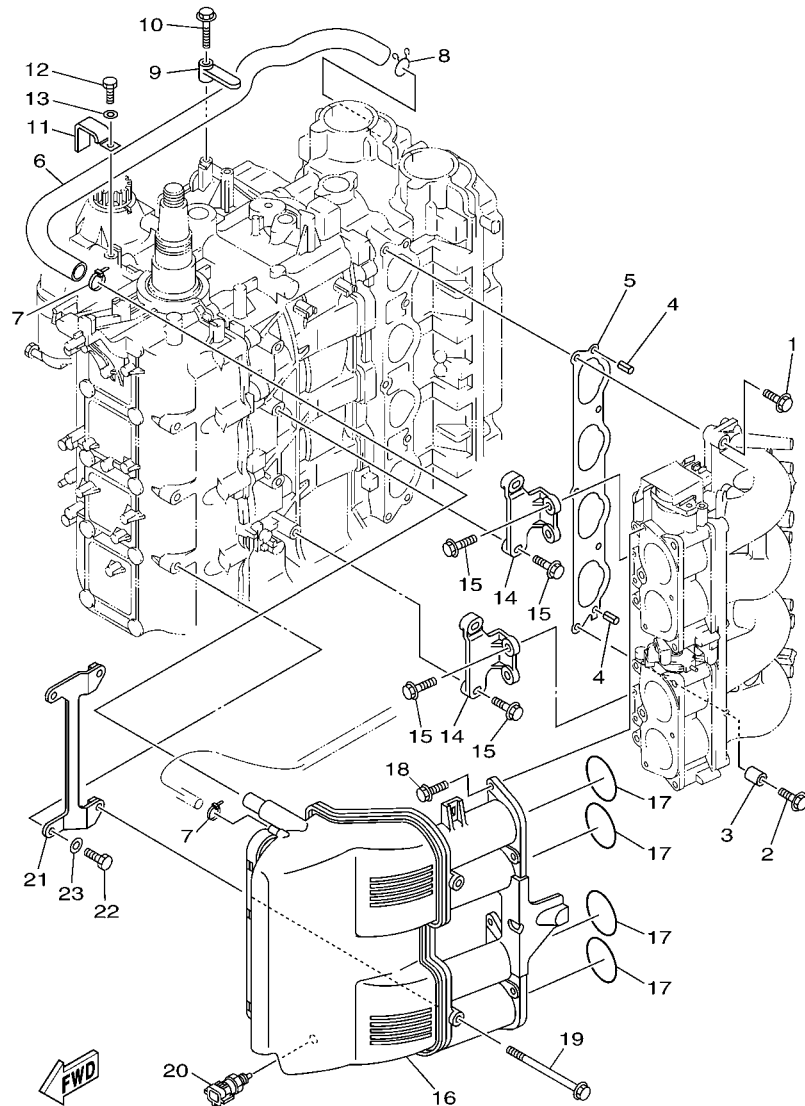


FIG. 5 VALVE

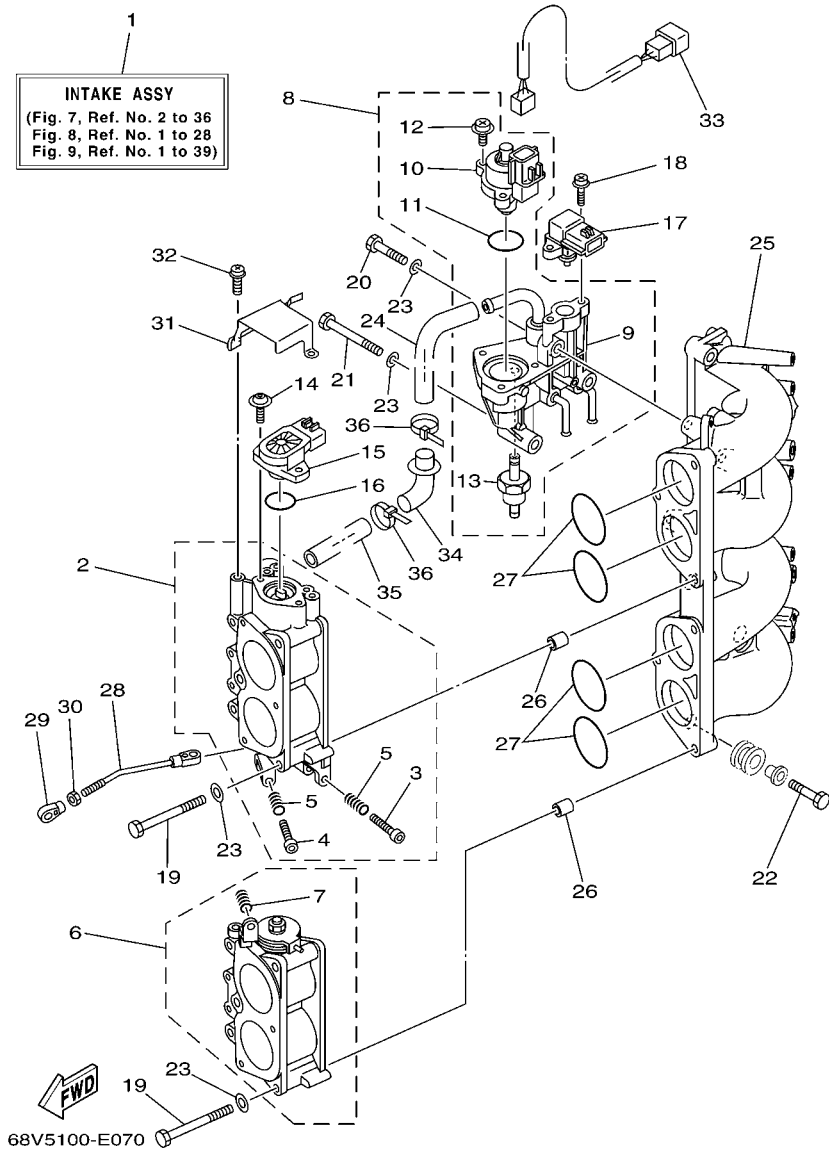
REF. NO.	PART NO.	DESCRIPTION	68VA			REMARKS
9	6D8-12153-K0	LIFTER, VALVE (50)	16			UR
	6D8-12153-L0	LIFTER, VALVE (52)	16			UR
	6D8-12153-M0	LIFTER, VALVE (54)	16			UR
	6D8-12153-N0	LIFTER, VALVE (56)	16			UR
	6D8-12153-P0	LIFTER, VALVE (58)	16			UR
	6D8-12153-R0	LIFTER, VALVE (60)	16			UR
	6D8-12153-S0	LIFTER, VALVE (62)	16			UR
	6D8-12153-T0	LIFTER, VALVE (64)	16			UR
	6D8-12153-U0	LIFTER, VALVE (66)	16			UR
	6D8-12153-V0	LIFTER, VALVE (68)	16			UR
10	6D9-12171-00	CAMSHAFT 1	1			
11	6D8-12181-00	CAMSHAFT 2	1			
12	93605-10108	PIN, DOWEL	2			
13	67F-11537-00	GEAR, DRIVEN	2			
14	90119-10050	BOLT, WITH WASHER	2			
15	93102-38008	OIL SEAL	2			
16	67F-46241-00	BELT	1			
17	67F-11590-00	TENSIONER ASSY	1			
18	90506-16M39	SPRING, TENSION	1			
19	90445-15M03	HOSE (L23)	1			
20	67F-11595-00	PLATE, VALVE	1			
21	90119-10M72	BOLT, WITH WASHER	1			
22	6D8-11536-00	GEAR, DRIVE	1			
23	90170-40008	NUT	1			
24	90280-04008	KEY, WOODRUFF	1			



68VA110-K060

FIG. 6 INTAKE 1

REF. NO.	PART NO.	DESCRIPTION	68VA				REMARKS
1	97575-08540	BOLT, WITH WASHER	4				
2	90119-08M68	BOLT, WITH WASHER	1				
3	90387-08M32	COLLAR	1				
4	91690-50014	PIN, SPRING	2				
5	68V-13645-00	GASKET, MANIFOLD 1	1				
6	67F-15373-00	PIPE, BREATHER	1				
7	90465-11M10	CLAMP	2				
8	90467-20M15	CLIP	1				
9	6D8-82544-00	CLAMP	1				
10	95895-06025	BOLT, FLANGE	1				
11	90465-12M03	CLAMP	1				
12	97095-06012	BOLT	1				
13	92995-06600	WASHER	1				
14	68V-14291-00	BRACKET 1	2				
15	90119-06M49	BOLT, WITH WASHER	8				
16	68V-14440-00	SILENCER ASSY, INTAKE	1				
17	93210-48MJ9	O-RING	4				
18	90119-06M82	BOLT, WITH WASHER	6				
19	90119-06ME1	BOLT, WITH WASHER	2				
20	65L-85886-00	THERMOSENSOR	1				
21	68V-14292-00	BRACKET 2	1				
22	97095-08020	BOLT	2				
23	92995-08600	WASHER	2				



**FIG. 7 INTAKE 2**

REF. NO.	PART NO.	DESCRIPTION	68VA				REMARKS
1	68V-14200-40	INTAKE ASSY	1				
2	68V-13751-01	BODY, THROTTLE 1	1				
3	68V-14323-00	.SCREW, AIR ADJUSTING	1				
4	68V-14321-00	.SCREW, THROTTLE	1				
5	68V-14331-00	.SPRING, THROTTLE VALVE	2				
6	68V-13752-01	BODY, THROTTLE 2	1				
7	68V-14331-00	.SPRING, THROTTLE VALVE	1				
8	68V-13105-00	CONTROL VALVE ASSY	1				
9	68V-14960-00	.BODY ASSY	1				
10	68V-1312A-00	.VALVE, CONTROL	1				
11	68V-13473-00	.O-RING	1				
12	68V-81146-01	.SCREW 2	3				
13	68V-14511-00	.FILTER ASSY	1				
14	68V-81145-01	SCREW 1	2				
15	68V-85885-00	THROTTLE SENSOR ASSY	1				
16	68V-8182L-00	O-RING 1	1				
17	68V-82380-00	SENSOR, PRESSURE	1				
18	68V-81147-00	SCREW 3	2				
19	68V-14496-00	BOLT	6				
20	68V-13574-00	BOLT 2	1				
21	68V-13573-00	BOLT 1	2				
22	68V-14777-00	BOLT	3				
23	68V-14475-00	WASHER	9				
24	68V-14419-10	PIPE	1				
25	68V-13641-00-94	MANIFOLD 1	1				
26	99530-10114	PIN, DOWEL	4				
27	93210-48MG8	O-RING	4				

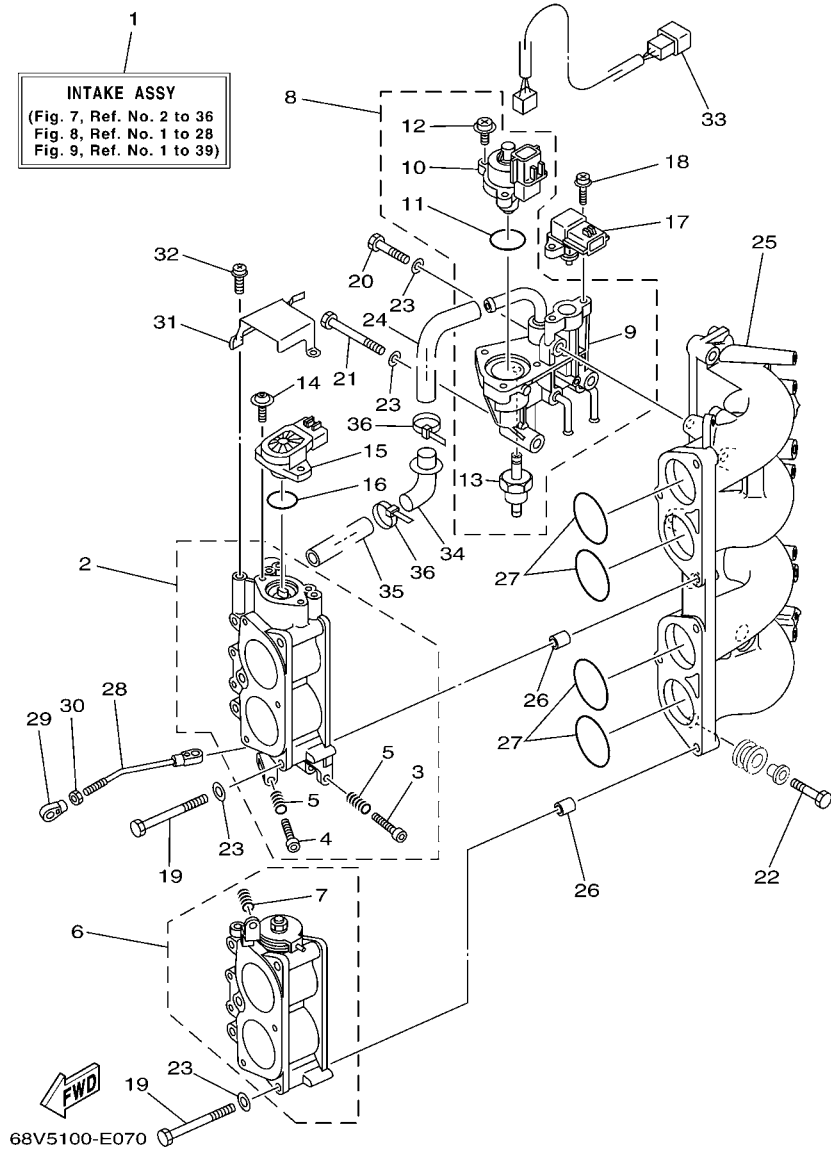
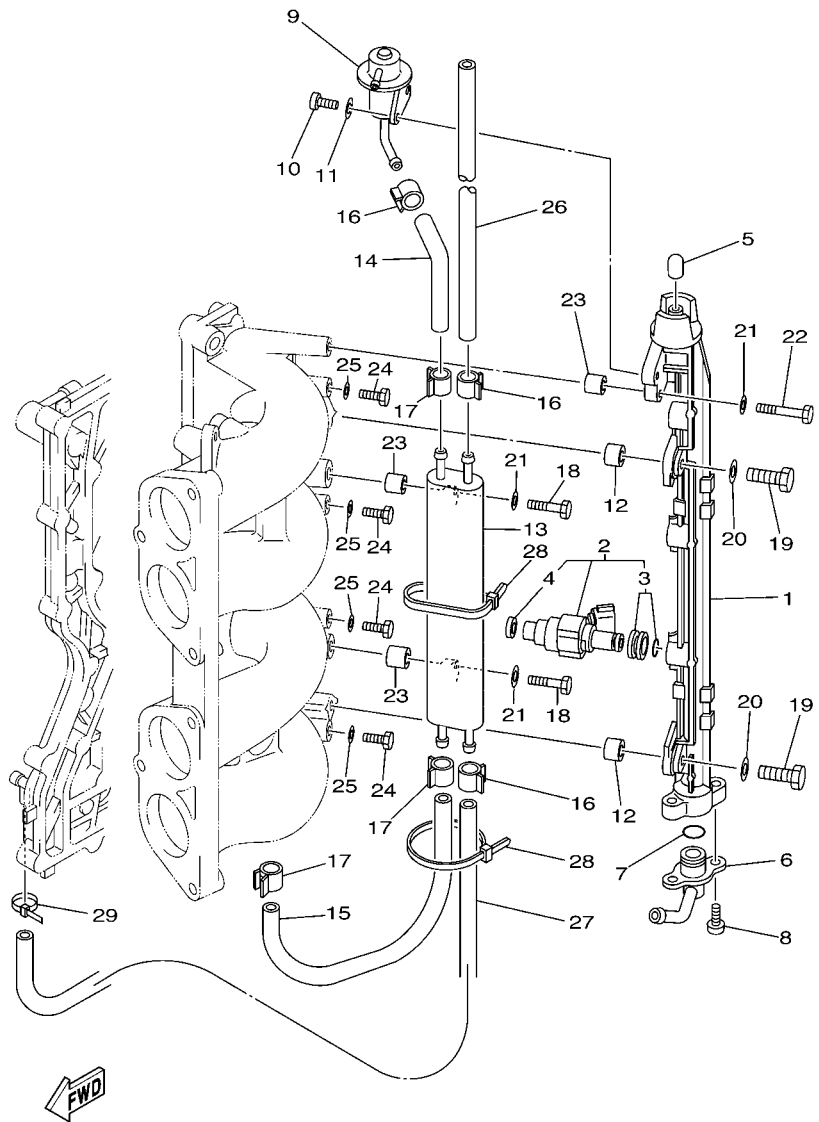


FIG. 7 INTAKE 2

REF. NO.	PART NO.	DESCRIPTION	68WA				REMARKS
28	68V-41237-00	JOINT, LINK	1				
29	6H4-41237-00	JOINT, LINK	1				
30	95380-05700	NUT	1				
31	68V-1441L-00	BRACKET 1	1				
32	68V-81145-00	SCREW 1	3				
33	68V-8259N-00	WIRE HARNESS ASSY 3	1				
34	68V-14453-00	JOINT, AIR CLEANER 1	1				
35	68V-1441J-00	PIPE, SILENCER	1				
36	68V-2417H-00	CLAMP 1	2				

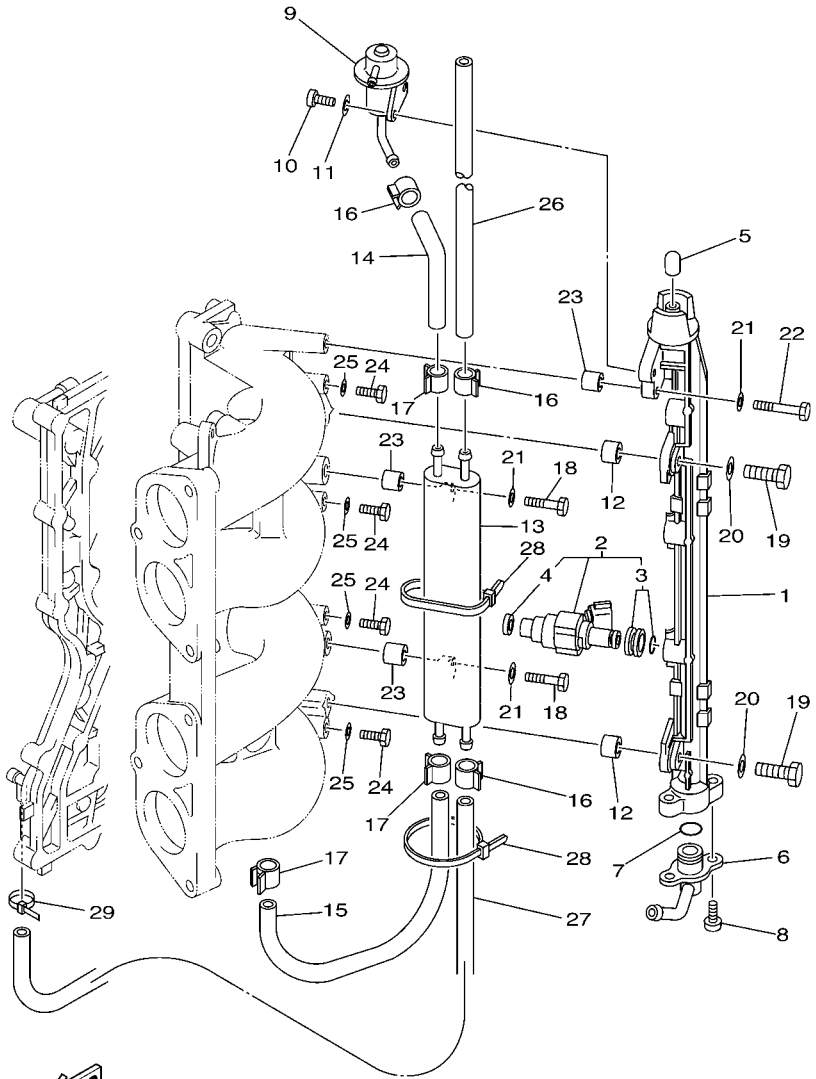




68V1010-2080

FIG. 8 FUEL INJECTION NOZZLE

REF. NO.	PART NO.	DESCRIPTION	68VA				REMARKS
1	68V-13160-00	DELIVERY PIPE ASSY 1	1				
2	68V-8A360-00	INJECTOR UNIT	4				
3	68V-1410B-00	.PACKING KIT	1				
4	68V-13766-00	.RUBBER, INJECTOR	1				
5	68V-14225-00	CAP	1				
6	68V-13435-00	NIPPLE	1				
7	68V-14397-00	O-RING	1				
8	68V-81147-00	SCREW 3	2				
9	68V-13906-01	REGULATOR, PRESSURE	1				
10	68V-14565-00	SCREW	2				
11	68V-14356-00	WASHER, SPRING	2				
12	68V-14264-00	COLLAR	2				
13	69J-21841-02	COOLER	1				
14	68V-13971-00	PIPE, FUEL 1	1				
15	68V-13972-00	PIPE, FUEL 2	1				
16	68V-24519-00	CLIP	3				
17	68V-2411M-00	CLIP	3				
18	68V-14777-00	BOLT	2				
19	68V-14428-00	BOLT	2				
20	68V-14475-00	WASHER	2				
21	68V-14357-00	WASHER, PLAIN	3				
22	68V-14446-00	BOLT	1				
23	68V-14265-00	COLLAR	3				
24	97095-06010	BOLT	4				
25	90430-06014	GASKET	4				
26	68V-2247A-10	HOSE 1	1				
27	68V-2247B-00	HOSE 2	1				



 68V1010-2080

**FIG. 8 FUEL INJECTION NOZZLE**

REF. NO.	PART NO.	DESCRIPTION	68VA				REMARKS
28	68V-2481H-00	CLAMP	2				
29	90465-11M10	CLAMP	1				

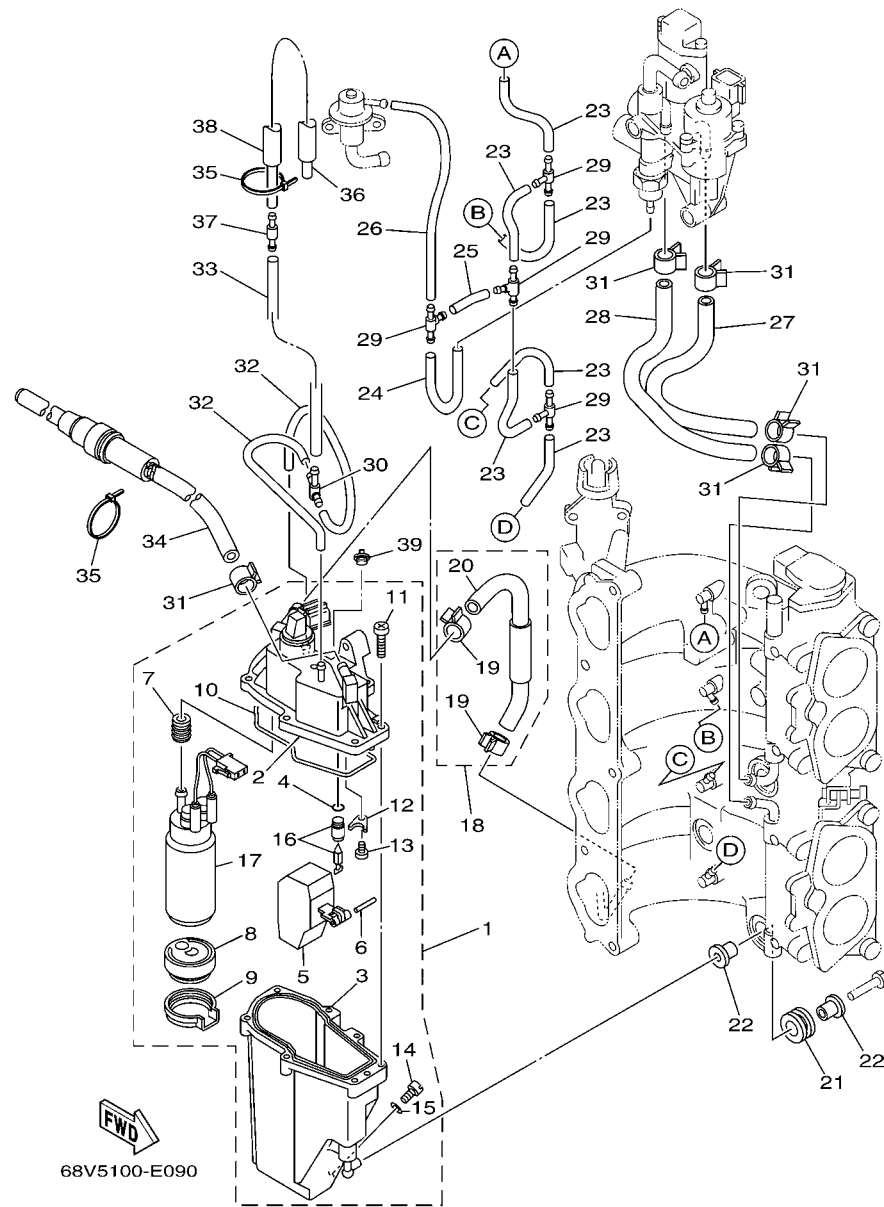
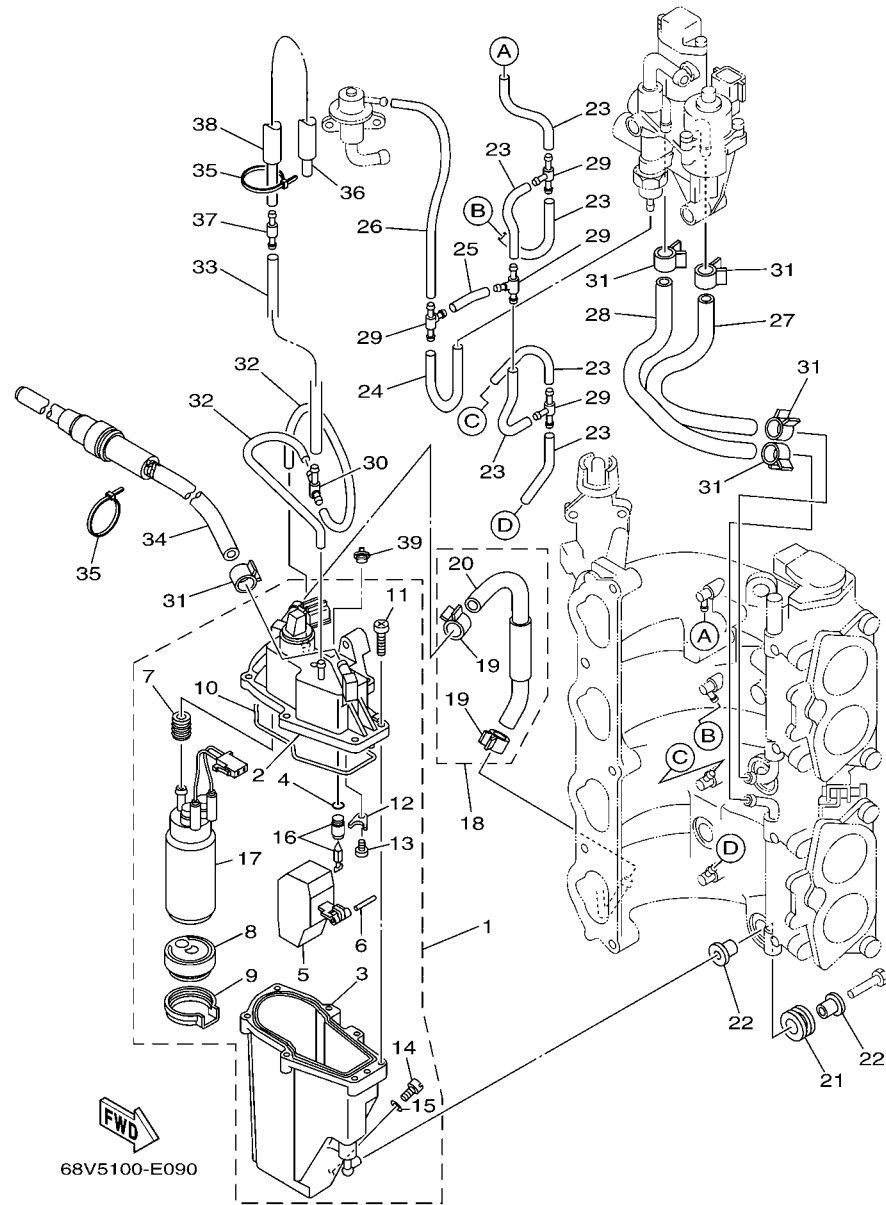


FIG. 9 FUEL INJECTION PUMP

REF. NO.	PART NO.	DESCRIPTION	68VA				REMARKS
1	68V-14180-03	FLOAT CHAMBER ASSY	1				
2	68V-14182-01	.COVER, FLOAT CHAMBER	1				
3	68V-14181-00	.BODY, FLOAT CHAMBER 1	1				
4	68V-13769-00	.O-RING	1				
5	68V-14985-00	.FLOAT	1				
6	68V-14386-00	.PIN, FLOAT	1				
7	68V-13781-10	.DAMPER, PUMP	1				
8	68V-13915-00	.FILTER	1				
9	68V-13784-00	.COVER, PUMP	1				
10	68V-14984-00	.GASKET, FLOAT CHAMBER	1				
11	68V-14567-00	.SCREW	7				
12	68V-14255-00	.PLATE	1				
13	68V-14592-00	.SCREW	1				
14	68V-14191-00	.PLUG, DRAIN	1				
15	68V-14126-00	.GASKET	1				
16	68V-14546-00	.VALVE, NEEDLE	1				
17	68V-13907-03	.FUEL PUMP COMP.	1				
18	68V-14807-11	HOSE COMP.	1				
19	68V-13577-00	.CLIP	2				
20	68V-13973-10	.PIPE, FUEL 3	1				
21	68V-13593-00	DAMPER	3				
22	68V-13716-00	COLLAR	6				
23	68V-13542-00	HOSE, VACUUM SENSING 1	6				
24	68V-13533-00	HOSE, VACUUM SENSING 4	1				
25	68V-13544-00	HOSE, VACUUM SENSING 2	1				
26	68V-13532-01	HOSE, VACUUM SENSING 3	1				
27	68V-13545-00	HOSE 1	1				



**FIG. 9 FUEL INJECTION PUMP**

REF. NO.	PART NO.	DESCRIPTION	68VA				REMARKS
28	68V-13546-00	HOSE 2	1				
29	68V-24377-00	PIPE, JOINT 2	4				
30	68V-24379-00	PIPE, JOINT 4	1				
31	68V-13577-00	CLIP	5				
32	68V-13534-00	HOSE, VACUUM SENSING 5	2				
33	68V-13547-01	HOSE 3	1				
34	68V-24502-20	FILTER, FUEL	1				
35	68V-2481H-00	CLAMP	2				
36	68V-13535-00	HOSE, VACUUM SENSING 5	1				
37	68V-24460-01	RELIEF VALVE ASSY	1				
38	68V-13543-01	HOSE, AIR	1				
39	69J-14225-01	CAP	1				

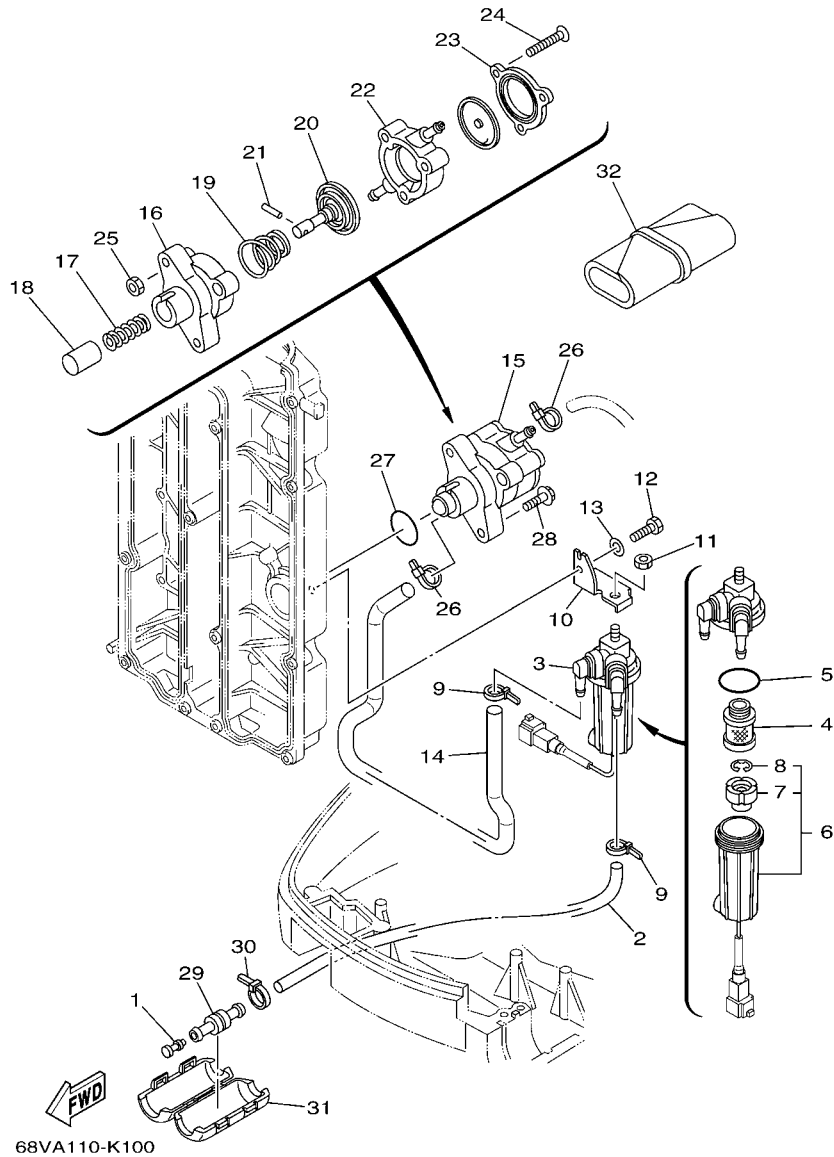


FIG. 10 FUEL 1

REF. NO.	PART NO.	DESCRIPTION	68VA				REMARKS
1	689-85547-00	DAMPER	1				
2	90445-13015	HOSE (L1300)	1				
3	6D8-24560-00	FILTER ASSY	1				
4	6D8-24563-00	.ELEMENT, FILTER	1				
5	6D8-24564-00	.GASKET	1				
6	6D8-24562-00	.CUP, FILTER	1				
7	6D8-24469-00	..FLOAT, WATER LEVEL	1				
8	6D8-24519-00	..CLIP	1				
9	90465-11M10	CLAMP	2				
10	60C-24566-00	BRACKET, FILTER	1				
11	95380-08600	NUT	1				
12	97095-06016	BOLT	1				
13	92995-06600	WASHER	1				
14	6D8-24311-00	PIPE, FUEL 1	1				
15	6D8-24410-00	FUEL PUMP ASSY	1				
16	68V-24412-00	.BODY 1	1				
17	68V-24454-00	.SPRING	1				
18	63P-13131-00	.PLUNGER	1				
19	68V-24423-00	.SPRING, DIAPHRAGM	1				
20	68V-24411-00	.DIAPHRAGM	1				
21	68V-24374-00	.PIN	1				
22	68V-24413-00	.BODY 2	1				
23	6D8-24414-00	.BODY 3	1				
24	68V-24444-00	.SCREW	3				
25	68V-24149-00	.NUT	3				
26	90465-11M10	CLAMP	2				
27	93210-30682	O-RING	1				

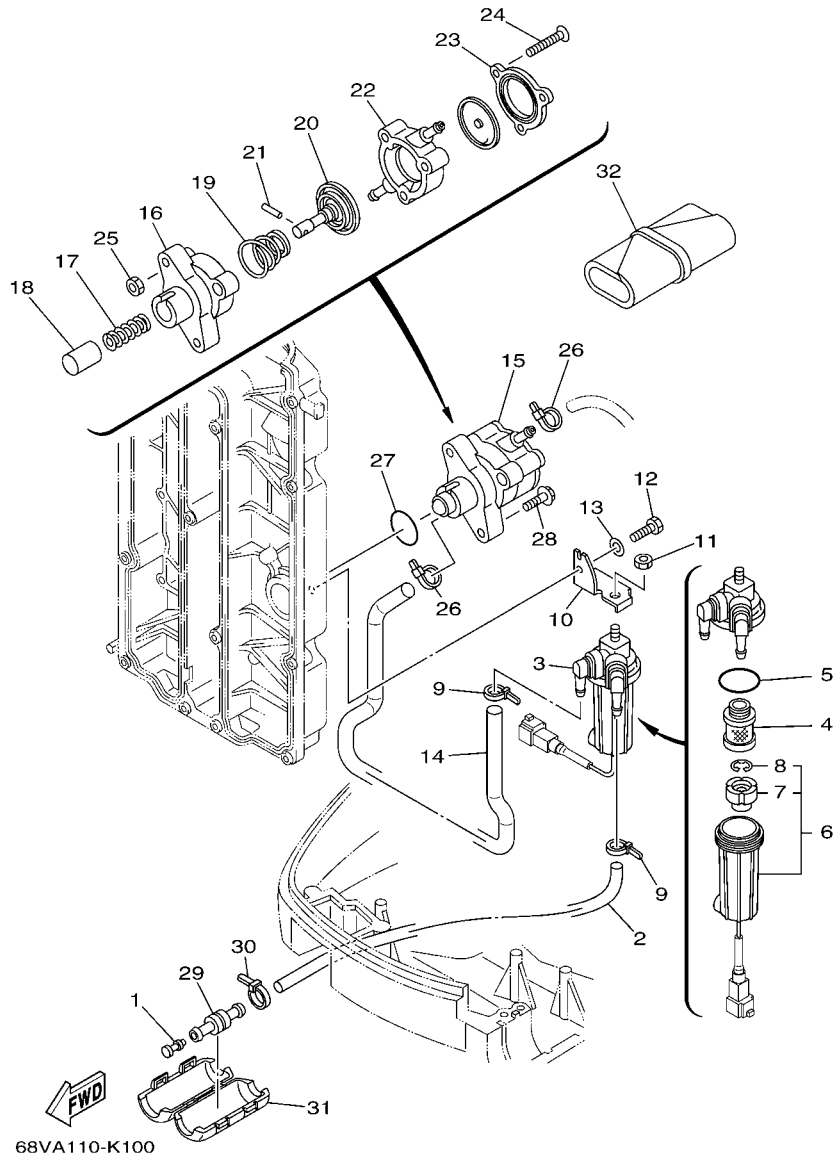
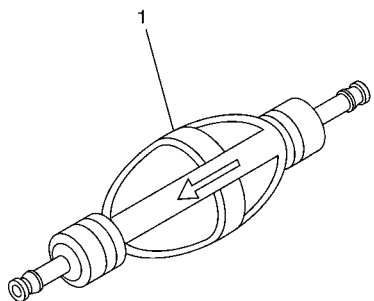


FIG. 10 FUEL 1

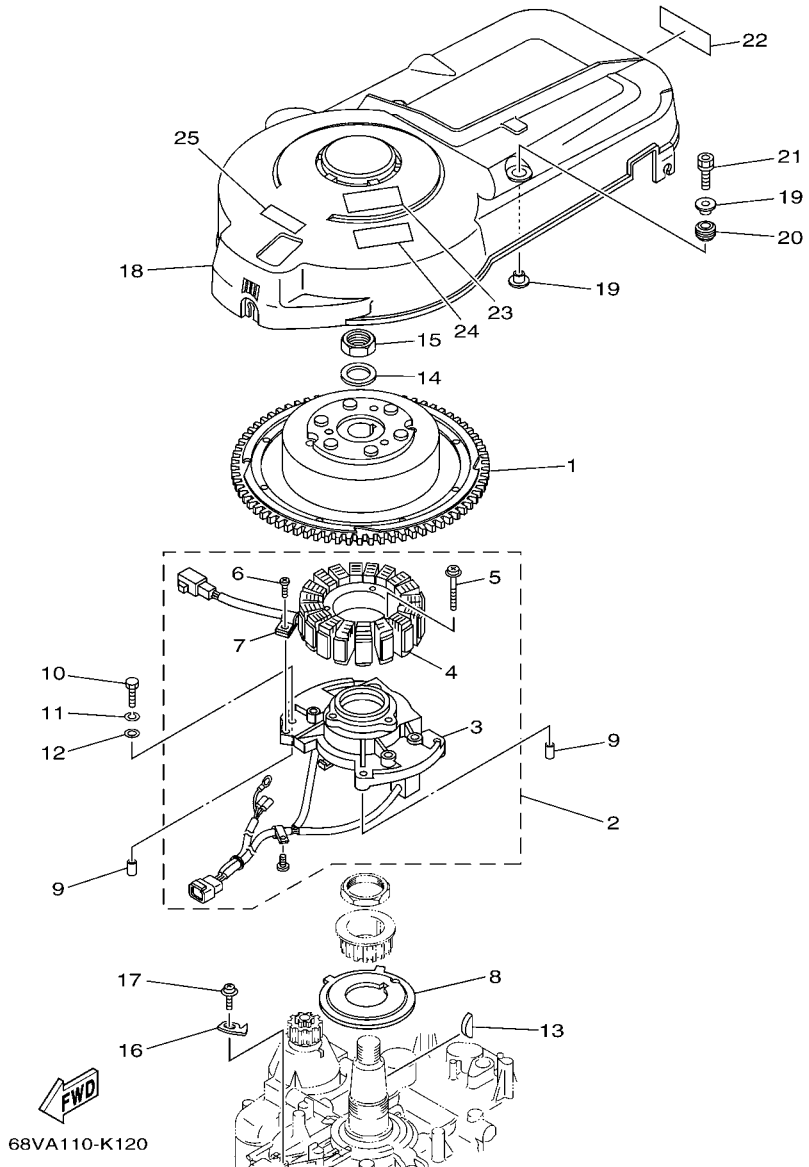
REF. NO.	PART NO.	DESCRIPTION	68VA			REMARKS
28	90119-06M83	BOLT, WITH WASHER	2			
29	6R3-24377-10	PIPE, JOINT 2	1			
30	90465-11M10	CLAMP	1			
31	68V-24452-00	COVER	1			
32	67F-28100-01	TOOL KIT	1			AP

FIG. 11 FUEL 2



REF. NO.	PART NO.	DESCRIPTION	68WA				REMARKS
1	6Y2-24360-70	PRIMER PUMP ASSY	1				AP
-----							
-----							
-----							
-----							
-----							
-----							
-----							
-----							
-----							
-----							

  
68V9110-J110

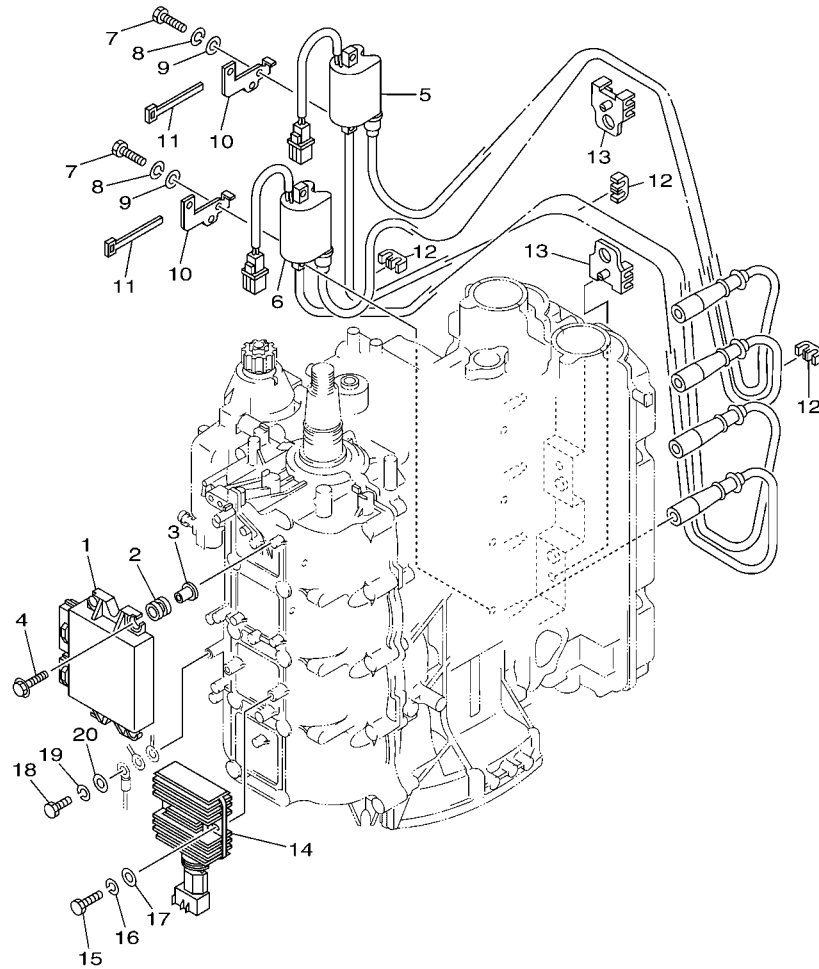


68VA110-K120

FIG. 12 GENERATOR

REF. NO.	PART NO.	DESCRIPTION	68VA				REMARKS
1	68V-81450-00	ROTOR ASSY	1				
2	68V-81460-00	BASE ASSY	1				
3	68V-85580-00	.COIL, PULSER	1				
4	68V-81410-00	.STATOR ASSY	1				
5	63D-81345-20	.SCREW, WITH WASHER (M6X30)	3				
6	97607-04110	.SCREW, WITH WASHER	1				
7	445-81328-20	.CLAMP	1				
8	68V-81673-00	ROTOR	1				
9	99530-08012	PIN, DOWEL	2				
10	97095-06030	BOLT	4				
11	92995-06100	WASHER, SPRING	4				
12	92995-06600	WASHER	4				
13	90280-04M08	KEY, WOODRUFF	1				
14	90201-24014	WASHER, PLATE	1				
15	90179-24002	NUT	1				
16	6D8-81332-00	PLATE, TIMING	1				
17	97985-06210	SCREW, WITH WASHER	1				
18	67F-81337-01	COVER, FLYWHEEL	1				
19	90387-06M71	COLLAR	4				
20	90480-15M31	GROMMET	2				
21	90119-06M92	BOLT, WITH WASHER	2				
22	68V-13437-42	MARK, CAUTION	1				
23	6AH-81995-40	LABEL, WARNING	1				
24	6AH-81994-40	LABEL, SAFETY	1				
25	6AG-81996-00	MARK	1				

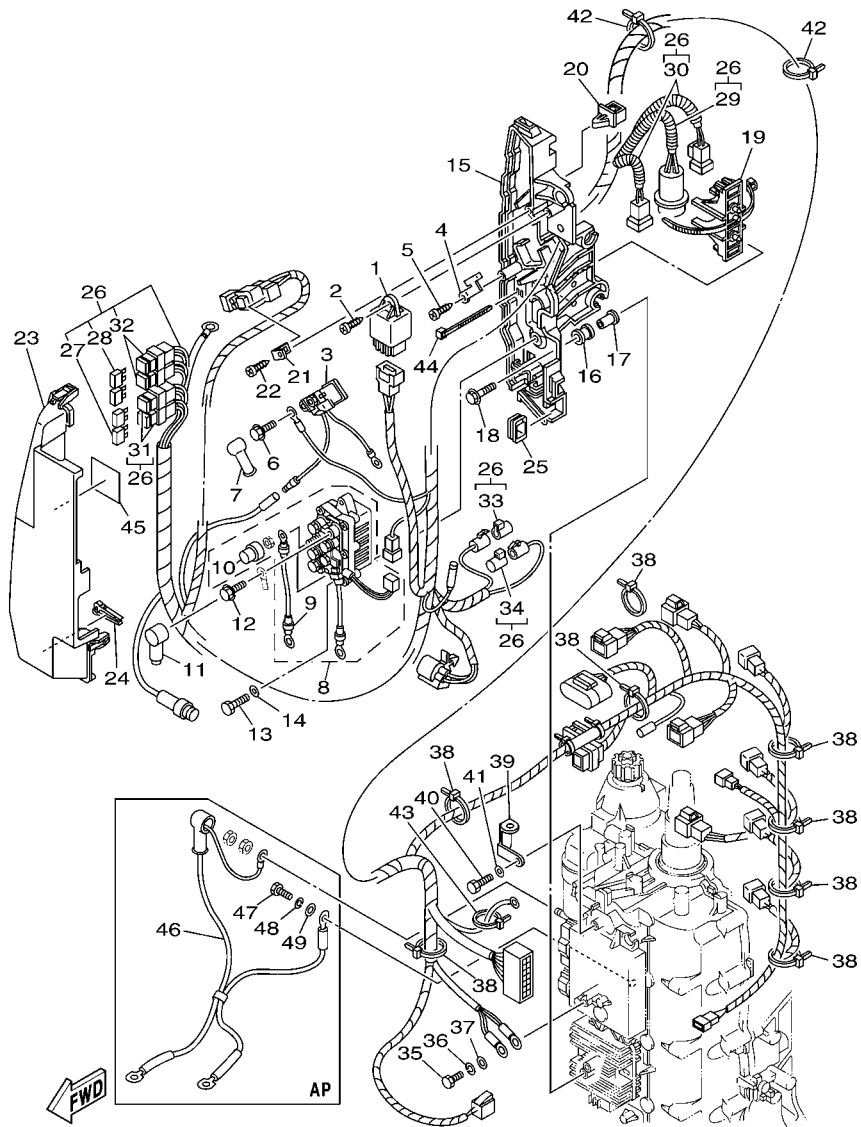




68V7100-G132

FIG. 13 ELECTRICAL 1

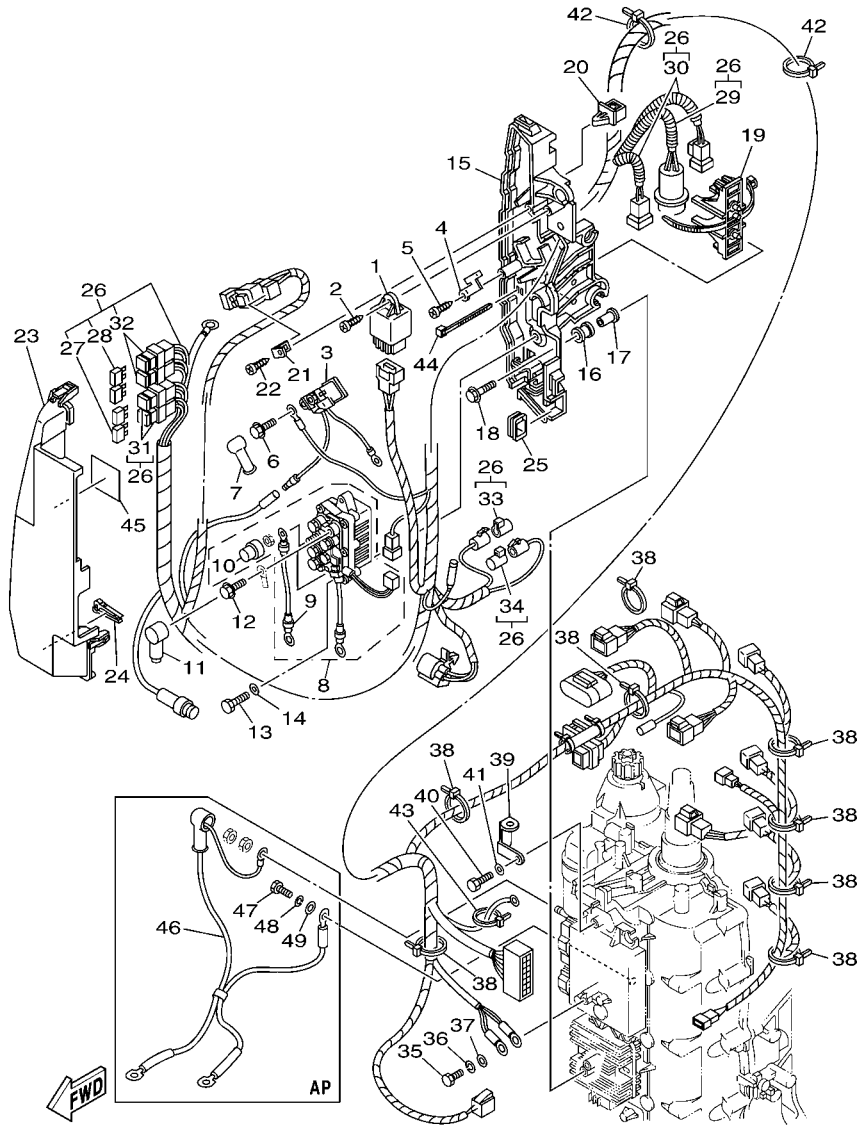
REF. NO.	PART NO.	DESCRIPTION	68VA				REMARKS
1	68V-8591A-43	ENGINE CONTROL UNIT ASSY	1				
2	68V-82317-00	DAMPER, IGNITION COIL	4				
3	90387-06119	COLLAR	4				
4	90119-06M59	BOLT, WITH WASHER	4				
5	68V-82310-00	IGNITION COIL ASSY	1				
6	68V-82310-10	IGNITION COIL ASSY	1				
7	97095-06025	BOLT	4				
8	92995-06100	WASHER, SPRING	4				
9	92995-06600	WASHER	4				
10	68V-82388-00	PLATE	2				
11	90464-06001	CLAMP	2				
12	67F-82361-00	CLAMP, CORD	3				
13	67F-82362-00	CLAMP, CORD 2	2				
14	68V-81960-10	RECTIFIER & REGULATOR ASSY	1				
15	97095-06025	BOLT	2				
16	92995-06100	WASHER, SPRING	2				
17	92995-06600	WASHER	2				
18	97095-06016	BOLT	1				
19	92995-06100	WASHER, SPRING	1				
20	92995-06600	WASHER	1				



68WA110-K140

FIG. 14 ELECTRICAL 2

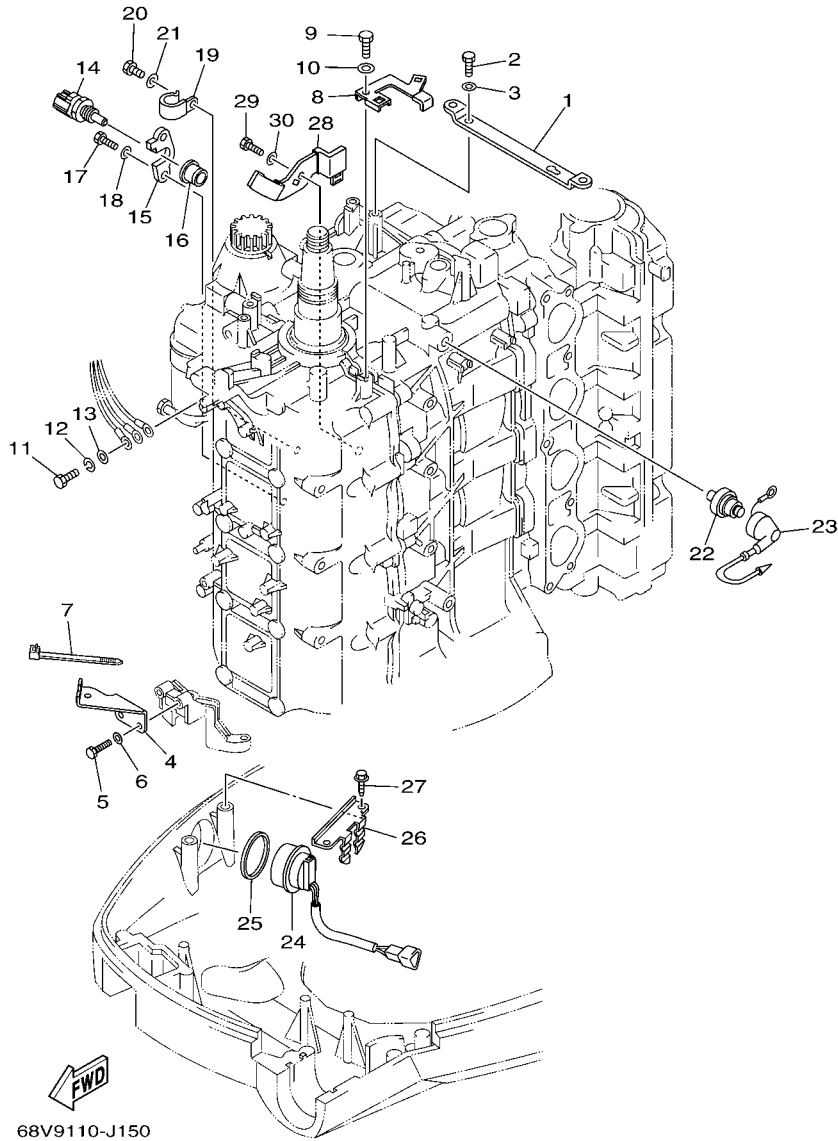
REF. NO.	PART NO.	DESCRIPTION	68WA				REMARKS
1	68V-81950-00	RELAY ASSY	1				
2	97780-60625	SCREW, TAPPING	1				
3	68V-8194A-00	RELAY	1				
4	68V-81953-00	STAY, RELAY	1				
5	97780-60620	SCREW, TAPPING	1				
6	97595-06610	BOLT, WITH WASHER	2				
7	6G5-82119-00	COVER, LEAD WIRE	2				
8	68V-8195B-01	RELAY ASSY	1				
9	68V-81949-00	.WIRE, LEAD	1				
10	68V-82532-00	.CAP	1				
11	682-82119-01	COVER, LEAD WIRE	2				
12	97595-06610	BOLT, WITH WASHER	2				
13	97013-06020	BOLT	2				
14	92903-06600	WASHER, PLATE	2				
15	68V-81948-02	BRACKET	1				
16	6A0-82317-00	DAMPER, IGNITION COIL	5				
17	90387-06119	COLLAR	5				
18	90119-06M59	BOLT, WITH WASHER	5				
19	68V-82594-00	CLAMP	1				
20	90464-12M58	CLAMP	1				
21	68V-85548-00	HOLDER	1				
22	97780-60620	SCREW, TAPPING	1				
23	68V-81942-03	COVER	1				
24	67F-2812A-00	PULLER, FUSE	1				
25	6D8-81518-00	GROMMET	1				
26	68V-82590-50	WIRE HARNESS ASSY	1				
27	67F-82151-00	.FUSE (20A)	4				



68WA110-K140

FIG. 14 ELECTRICAL 2

REF. NO.	PART NO.	DESCRIPTION	68WA				REMARKS
28	67F-82151-10	.FUSE (30A)	4				
29	90447-10003	.TUBE	1				
30	90447-07007	.TUBE	2				
31	67F-8215B-10	.CAP (YELLOW)	2				
32	67F-8215B-20	.CAP (GREEN)	2				
33	6P2-82582-00	.CAP 1 (FEMALE)	1				
34	6P2-82582-10	.CAP 1 (MALE)	1				
35	97095-06016	BOLT	1				
36	92995-06100	WASHER, SPRING	1				
37	92995-06600	WASHER	1				
38	90465-13M18	CLAMP	9				
39	6D8-82581-01	STAY, CORD CLAMP	1				
40	97095-06014	BOLT	1				
41	92995-06600	WASHER	1				
42	90465-11M52	CLAMP	2				
43	90465-13M18	CLAMP	1				
44	90465-13M18	CLAMP	2				
45	68V-81919-10	GRAPHIC, REGULATOR	1				
46	68V-82105-00	WIRE HARNESS	1				AP
47	97013-06020	BOLT	1				AP
48	92903-06100	WASHER, SPRING	1				AP
49	92903-06600	WASHER, PLATE	1				AP



68V9110-J150

FIG. 15 ELECTRICAL 3

REF. NO.	PART NO.	DESCRIPTION	68VA				REMARKS
1	67F-8132G-01	PLATE	1				
2	97095-06016	BOLT	2				
3	92995-06600	WASHER	2				
4	68V-81528-00	CLAMP 1	1				
5	97095-06016	BOLT	2				
6	92995-06600	WASHER	2				
7	90465-13M18	CLAMP	1				
8	68V-82588-11	PLATE	1				
9	97095-06012	BOLT	1				
10	92995-06600	WASHER	1				
11	97095-06016	BOLT	1				
12	92995-06100	WASHER, SPRING	1				
13	92995-06600	WASHER	1				
14	67F-85790-00	THERMOSENSOR ASSY	1				
15	67F-85757-00	RETAINER	1				
16	68V-85753-00	GASKET, SENDER UNIT	1				
17	97095-06016	BOLT	2				
18	92995-06600	WASHER	2				
19	90465-06M86	CLAMP	1				
20	97095-06012	BOLT	1				
21	92995-06600	WASHER	1				
22	68V-82504-00	OIL PRESSURE SWITCH ASSY	1				
23	68V-81315-00	LEAD WIRE ASSY	1				
24	63D-82563-10	TRIM & TILT SWITCH ASSY	1				
25	6E5-82587-00	GASKET	1				
26	67F-83614-00	BRACKET	1				
27	90109-06M86	BOLT	2				

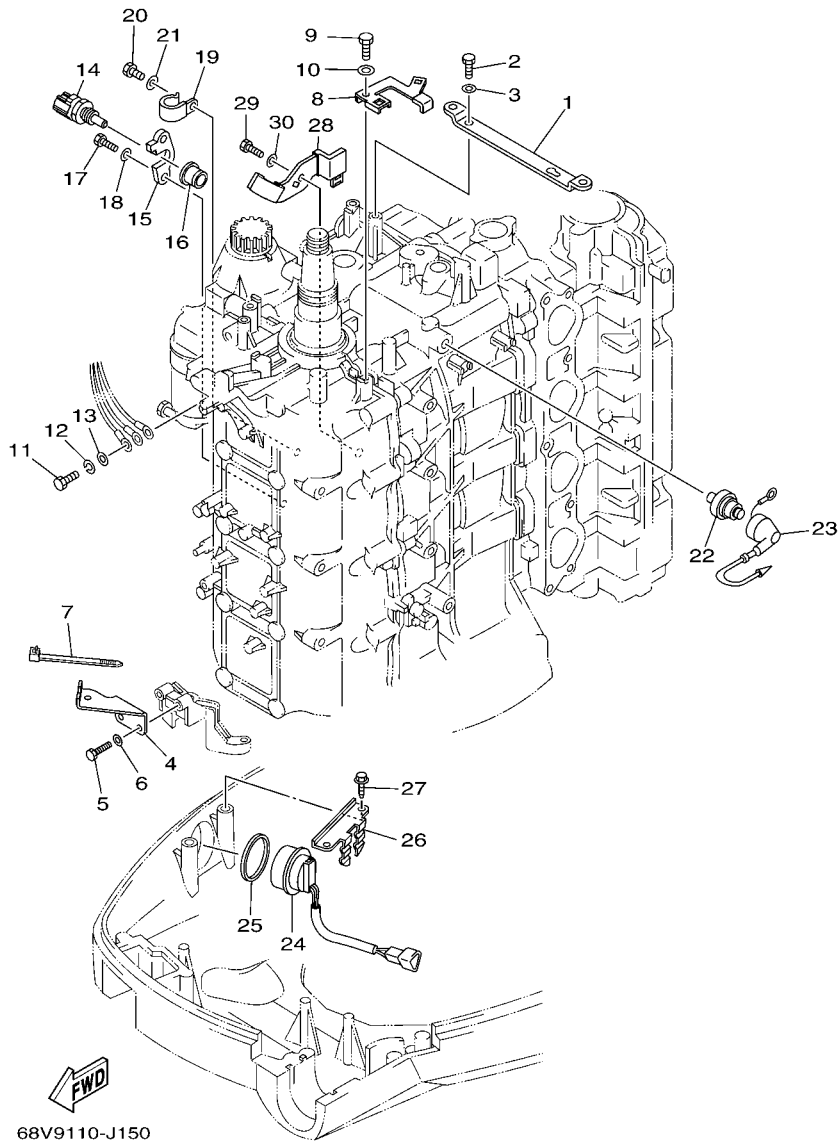


FIG. 15 ELECTRICAL 3

REF. NO.	PART NO.	DESCRIPTION	68VA				REMARKS
28	6D8-8252H-01	PLATE, HOLDER	1				
29	97095-06012	BOLT	1				
30	92995-06600	WASHER	1				
-----							
-----							
-----							
-----							
-----							
-----							
-----							
-----							
-----							
-----							
-----							

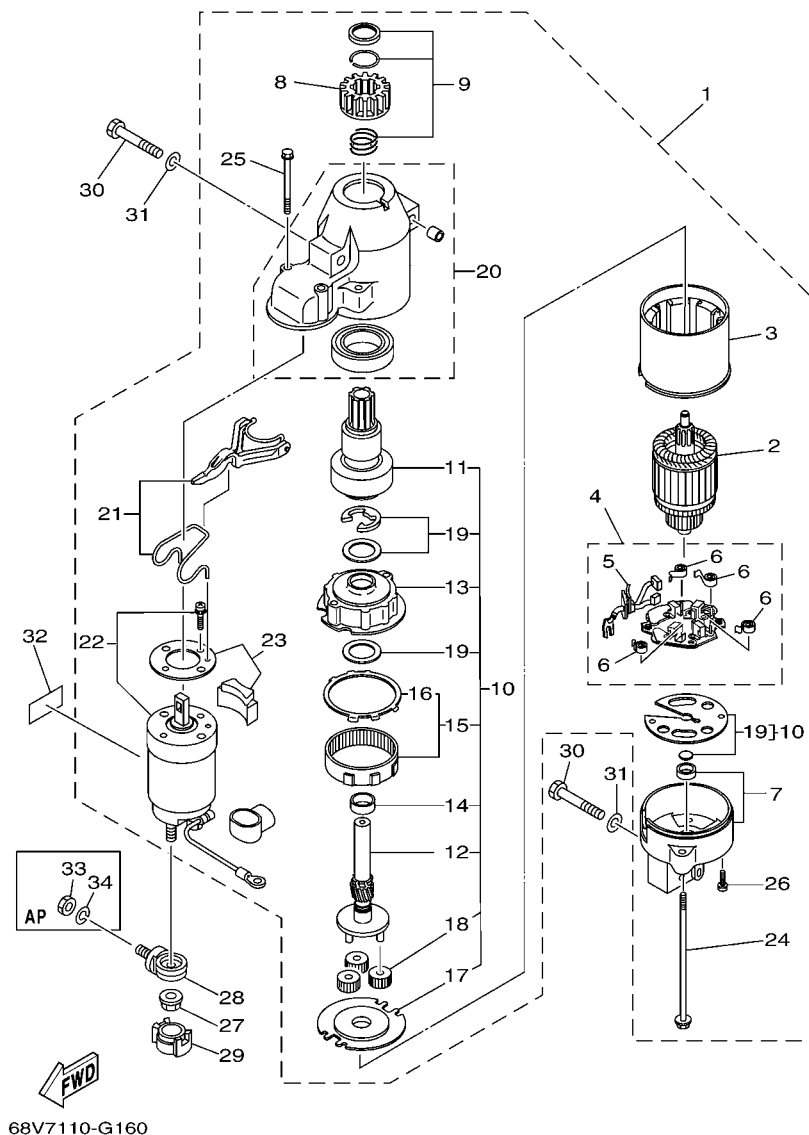
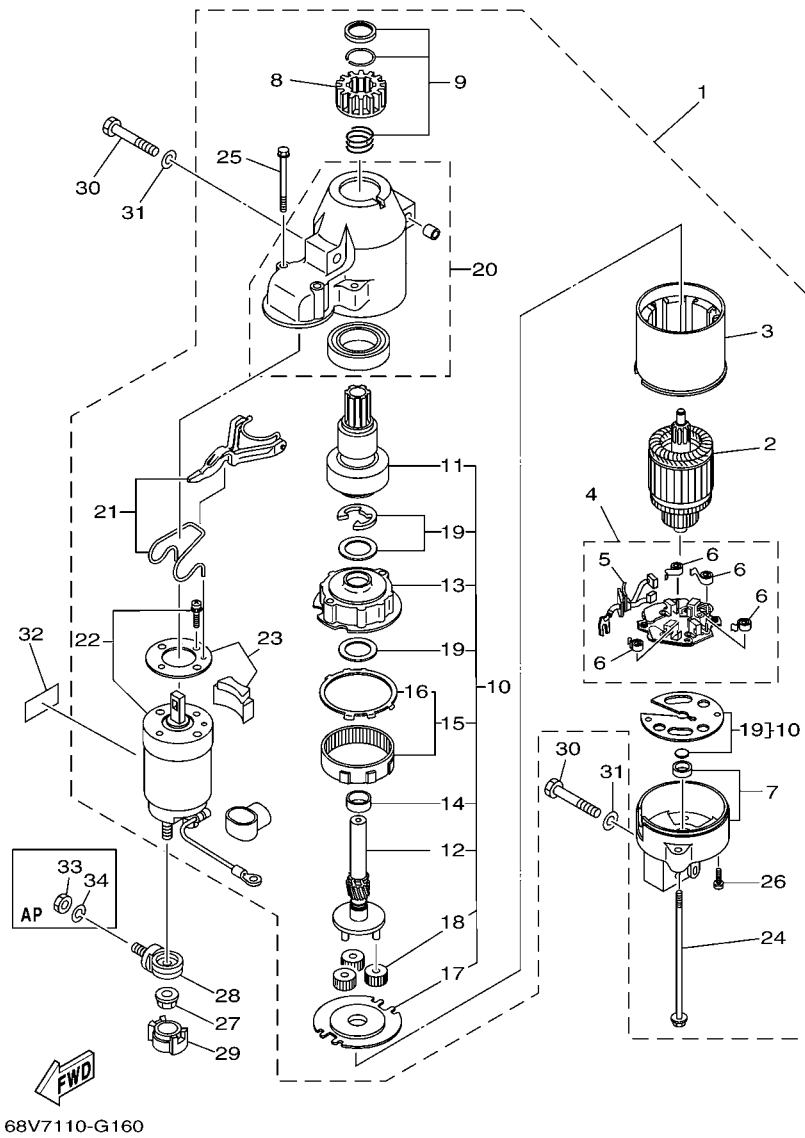


FIG. 16 STARTING MOTOR

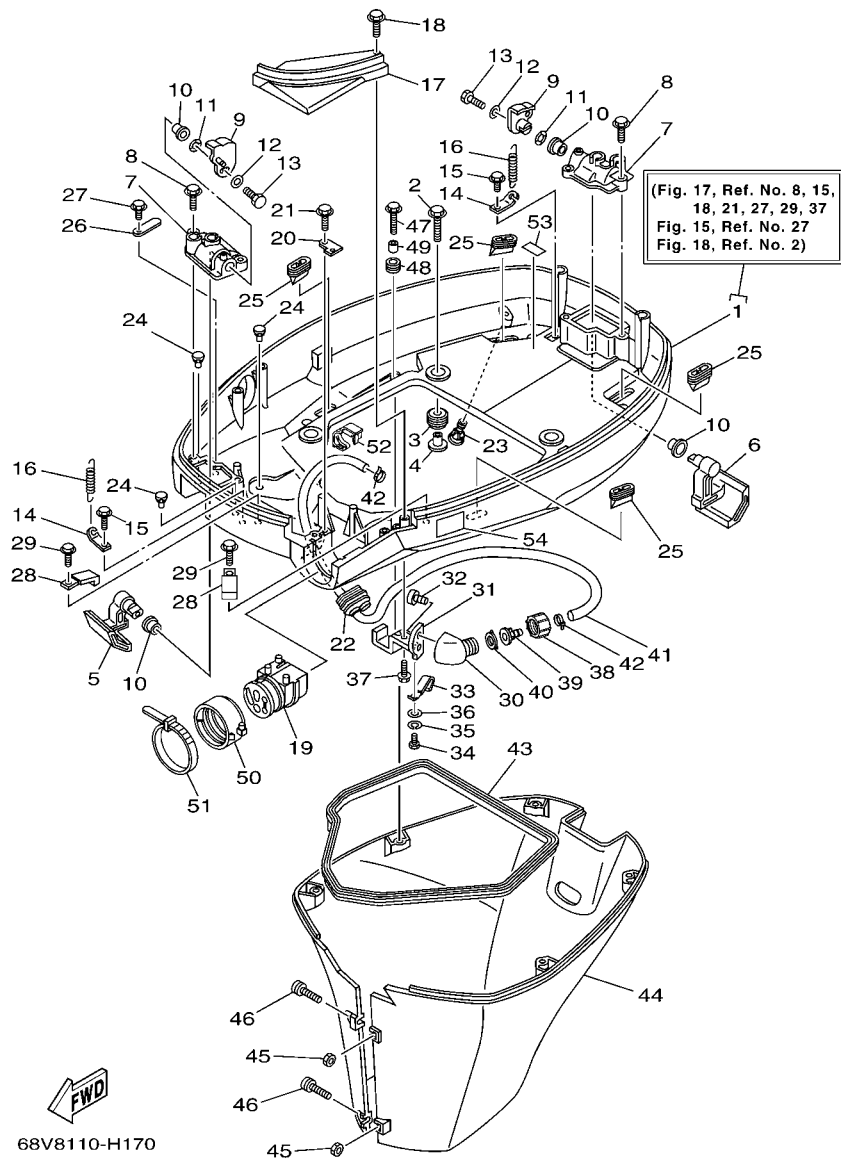
REF. NO.	PART NO.	DESCRIPTION	68VA				REMARKS
1	68V-81800-01	STARTING MOTOR ASSY	1				
2	67F-81850-00	.ARMATURE ASSY	1				
3	67F-81810-00	.STATOR ASSY	1				
4	68F-81840-00	.BRUSH HOLDER ASSY	1				
5	67F-81801-00	..BRUSH SET	1				
6	67F-81813-00	..SPRING, BRUSH	4				
7	68F-81820-00	.REAR BRACKET ASSY	1				
8	67F-81808-00	.PINION ASSY	1				
9	67F-81857-00	.PINION STOPPER SET	1				
10	67F-81807-00	.GEAR ASSY, STARTING MOTOR	1				
11	67F-81832-00	..CLUTCH, OVER RUN	1				
12	67F-81836-00	..SHAFT, PINION	1				
13	67F-81821-00	..BRACKET, CENTER 1	1				
14	67F-81841-00	..BEARING	1				
15	67F-81891-00	..GEAR, RING	1				
16	67F-8183R-00	...GASKET	1				
17	67F-81830-00	..BRACKET, CENTER 2	1				
18	60V-8183T-00	..GEAR, IDLER	3				
19	67F-81809-00	..WASHER KIT	1				
20	67F-81842-00	.COVER	1				
21	67F-81839-00	.LEVER ASSY	1				
22	68V-81941-01	.STARTER RELAY ASSY	1				
23	67F-81869-00	.COVER, DUST	1				
24	6K7-81826-11	.BOLT	2				
25	67F-81828-00	.BOLT 2	2				
26	67F-81846-00	.SCREW	2				
27	90179-08003	NUT	1				



68V7110-G160

FIG. 16 STARTING MOTOR

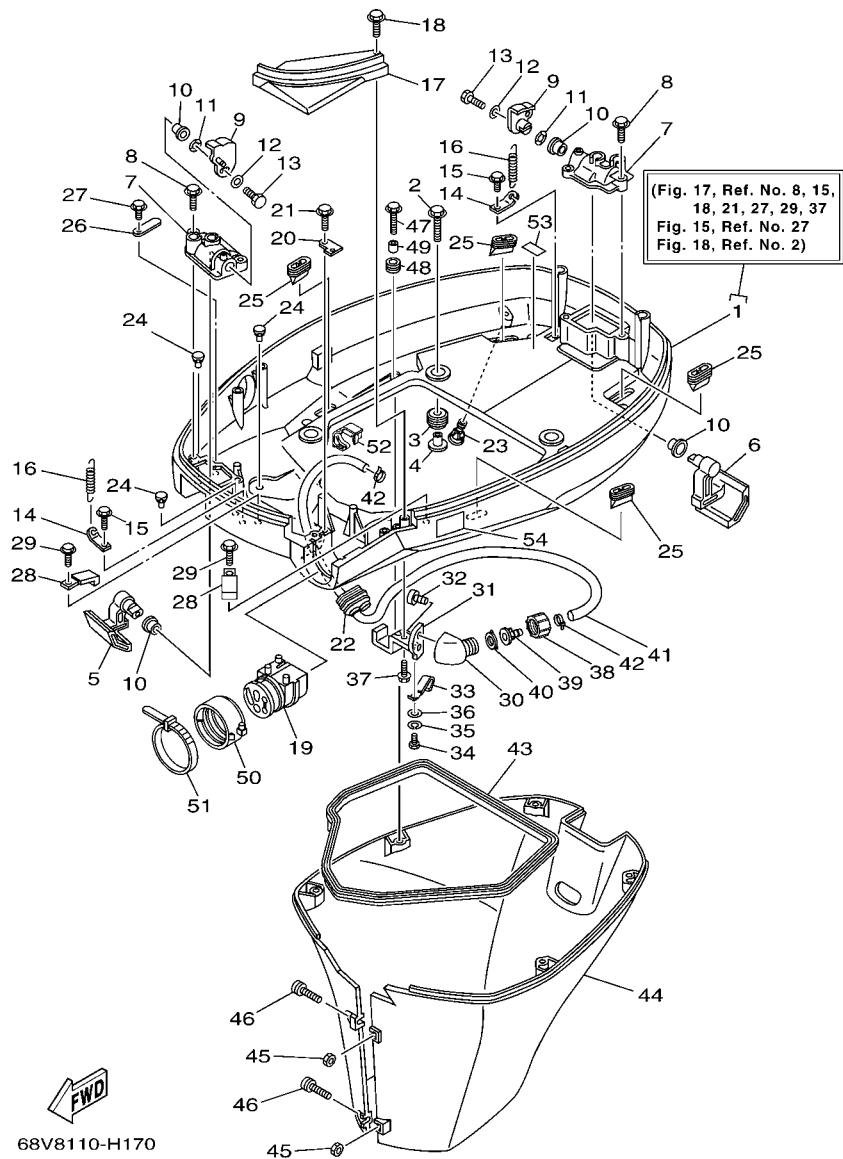
REF. NO.	PART NO.	DESCRIPTION	68VWA			REMARKS
28	60V-81925-00	TERMINAL	1			
29	68F-82582-00	COVER, WIRE HARNESS	1			
30	97013-08045	BOLT	3			
31	92903-08600	WASHER, PLATE	3			
32	67F-83627-01	LABEL, CAUTION 7	1			
33	95333-08600	NUT	1			AP
34	92903-08100	WASHER, SPRING	1			AP
<hr/>						
<hr/>						
<hr/>						
<hr/>						
<hr/>						
<hr/>						
<hr/>						
<hr/>						
<hr/>						



**FIG. 17 BOTTOM COWLING**

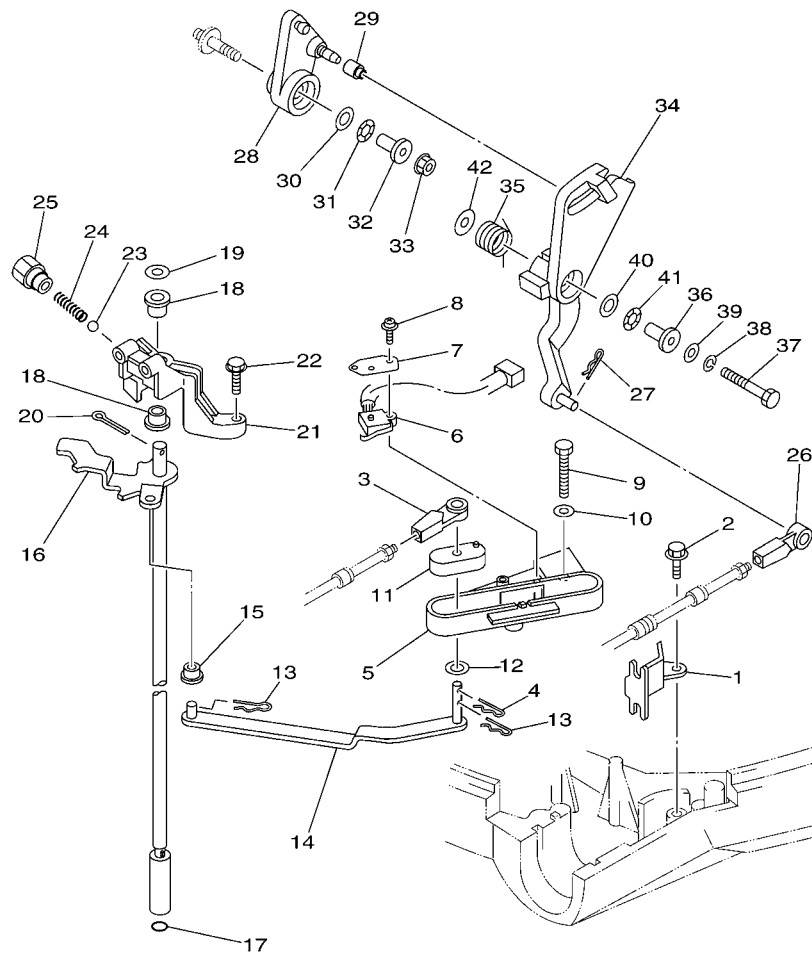
REF. NO.	PART NO.	DESCRIPTION	68VA				REMARKS
1	68V-42710-01-8D	BOTTOM COWLING ASSY	1				
2	90119-08M22	BOLT, WITH WASHER	4				
3	90480-22M15	GROMMET	4				
4	90387-08M37	COLLAR	4				
5	67F-42815-00-8D	LEVER, CLAMP	1				
6	67F-42816-00-8D	LEVER, CLAMP	1				
7	67F-42828-00-8D	PLATE, CLAMP	2				
8	90109-06M82	BOLT	4				
9	68V-42818-01	LEVER, CLAMP	2				
10	90386-15M73	BUSH	4				
11	90206-15M18	WASHER, WAVE	2				
12	90201-06068	WASHER, PLATE	2				
13	97095-06016	BOLT	2				
14	64D-43144-00	HOOK, SPRING	2				
15	90109-06M80	BOLT	2				
16	90506-16M34	SPRING, TENSION	2				
17	68V-42738-00-8D	PLATE, FITTING	1				
18	90109-06M82	BOLT	2				
19	68V-42725-00	GROMMET	1				
20	67F-42756-01	STAY, CLAMP	1				
21	90109-06M86	BOLT	1				
22	6H1-42726-21	GROMMET	1				FLUSHING KIT
23	6BL-44391-00	NIPPLE, HOSE	1				
24	6H4-42748-00	GROMMET	3				
25	67F-42717-00	RUBBER, SEAL 2	4				
26	6E5-82588-00	PLATE	1				
27	90109-06M81	BOLT	1				





**FIG. 17 BOTTOM COWLING**

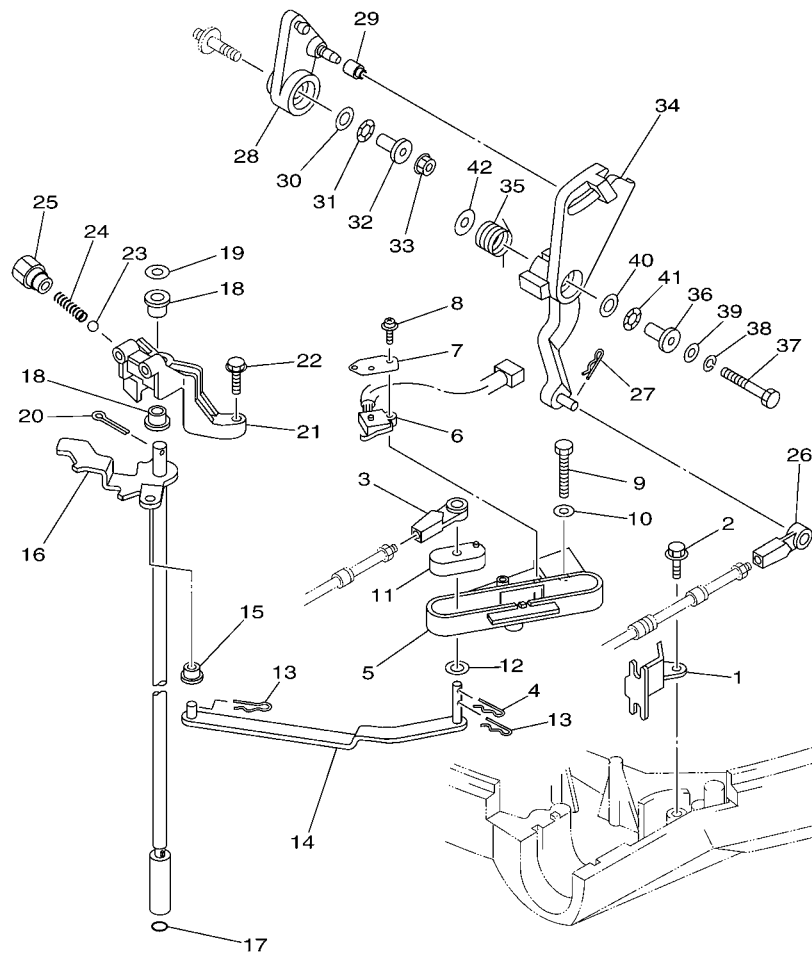
REF. NO.	PART NO.	DESCRIPTION	68VA				REMARKS
28	90465-08M23	CLAMP	2				
29	90109-06M80	BOLT	2				
30	68T-12572-00	ADAPTER	1				FLUSHING KIT
31	67F-12535-01	PLATE	1				FLUSHING KIT
32	90167-06002	SCREW, TAPPING	2				FLUSHING KIT
33	90462-06018	CLAMP	1				FLUSHING KIT
34	97095-06008	BOLT	1				FLUSHING KIT
35	92995-06100	WASHER, SPRING	1				FLUSHING KIT
36	92995-06200	WASHER	1				FLUSHING KIT
37	90109-06M86	BOLT	1				FLUSHING KIT
38	6R3-12581-00	JOINT, HOSE 1	1				FLUSHING KIT
39	6R3-12582-00	JOINT, HOSE 2	1				FLUSHING KIT
40	6R3-12583-00	GASKET, HOSE JOINT	1				FLUSHING KIT
41	68V-24312-00	PIPE 2	1				FLUSHING KIT
42	90465-11M10	CLAMP	2				FLUSHING KIT
43	61A-42716-00	RUBBER, SEAL 1	1				
44	67F-42741-01-8D	APRON	1				
45	95380-06600	NUT, HEXAGON	2				
46	90159-06M28	SCREW, WITH WASHER	2				
47	90109-06M80	BOLT	5				
48	90480-13M24	GROMMET	5				
49	90387-06M43	COLLAR	5				
50	68F-42753-00	FASTNER	1				AP
51	90464-20258	CLAMP	1				AP
52	90464-18004	CLAMP	1				
53	68V-82377-00	LABEL	1				
54	6AH-42794-40	LABEL, WARNING (GENERAL)	1				



**FWD**  
68VA110-K180

**FIG. 18 CONTROL**

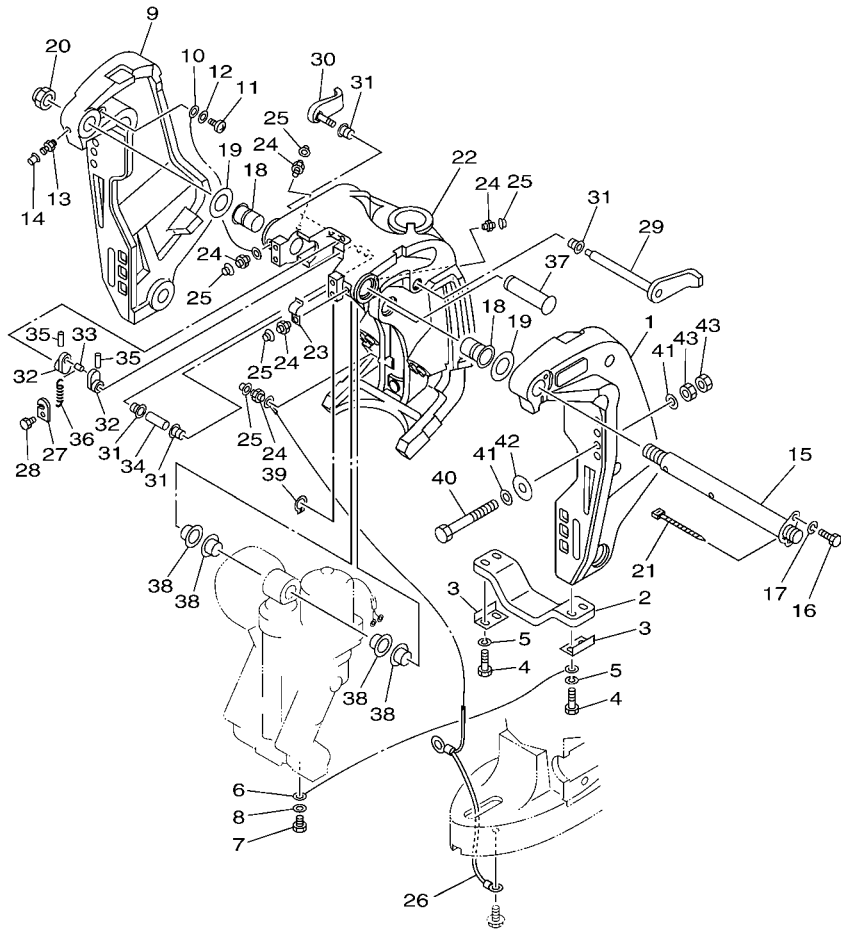
REF. NO.	PART NO.	DESCRIPTION	68VA				REMARKS
1	67F-48538-00	CLAMP, CABLE 1	1				
2	90109-06M86	BOLT	1				
3	663-48344-00	CABLE END, REMOTE CONTROL	1				
4	90468-18008	CLIP	1				
5	68V-44117-01-94	BRACKET	1				
6	60V-8259F-00	SWITCH ASSY	1				
7	61A-82588-01	PLATE	1				
8	97985-04116	SCREW, WITH WASHER	2				
9	97095-06040	BOLT	2				
10	92995-06600	WASHER	2				
11	68V-44122-01	BUSHING, SHIFT ROD LEVER	1				
12	90202-07M07	WASHER, PLATE	1				
13	90468-18008	CLIP	2				
14	68V-44121-00	LEVER, SHIFT ROD	1				
15	90386-06M12	BUSH	1				
16	68V-44120-30	HANDLE GEAR SHIFT ASSY	1				X(25.3")
17	93210-09165	O-RING	1				
18	90386-90M90	BUSH	2				
19	90201-09M02	WASHER, PLATE	1				
20	91490-20015	PIN. COTTER	1				
21	68V-44118-00-94	BRACKET	1				
22	97575-06525	BOLT, WITH WASHER	2				
23	93501-04M02	BALL	1				
24	90501-12082	SPRING, COMPRESSION	1				
25	648-42715-00	BUSHING	1				
26	663-48344-00	CABLE END, REMOTE CONTROL	1				
27	90468-18008	CLIP	1				



**FWD**  
68VA110-K180

**FIG. 18 CONTROL**

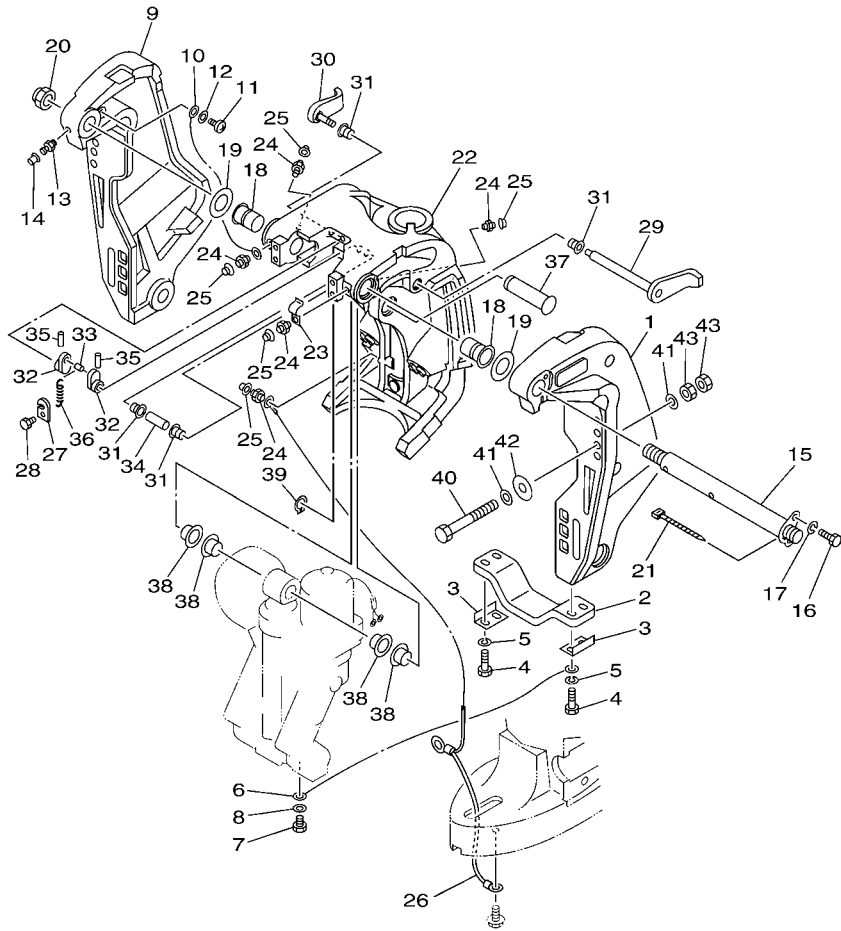
REF. NO.	PART NO.	DESCRIPTION	68VA				REMARKS
28	68V-42157-00	LEVER, THROTTLE	1				
29	68V-42171-00	BUSHING	1				
30	90201-10M02	WASHER, PLATE	1				
31	90206-10M04	WASHER, WAVE	1				
32	90387-06M21	COLLAR	1				
33	90179-06M28	NUT	1				
34	68V-42154-00	LEVER, THROTTLE CONTROL	1				
35	67F-44135-00	SPRING	1				
36	90387-06M21	COLLAR	1				
37	97095-06035	BOLT	1				
38	92995-06100	WASHER, SPRING	1				
39	92995-06600	WASHER	1				
40	90201-10M02	WASHER, PLATE	1				
41	90206-10M04	WASHER, WAVE	1				
42	90201-06M31	WASHER, PLATE	1				



68VA110-K190

FIG. 19 BRACKET 1

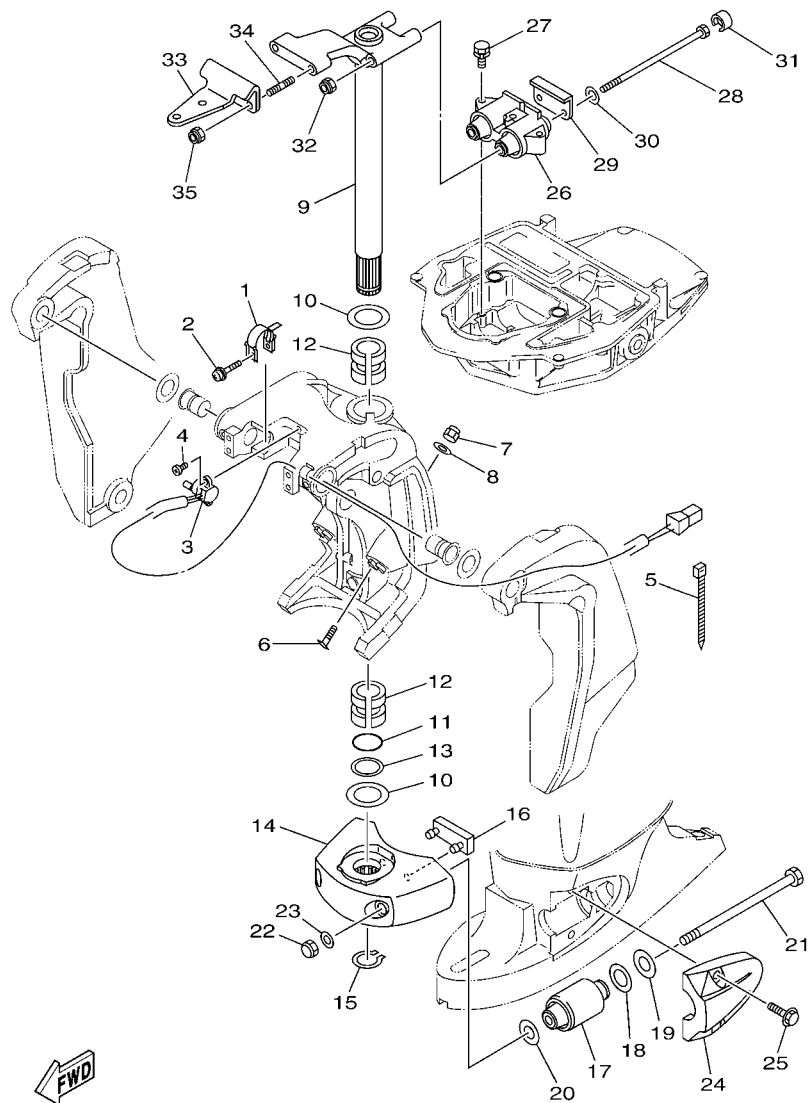
REF. NO.	PART NO.	DESCRIPTION	68VA			REMARKS
1	68V-43111-01-8D	BRACKET, CLAMP 1	1			
2	6G5-45251-02	ANODE	1			
3	6G5-44526-00	PLATE	2			
4	97095-06030	BOLT	4			
5	92995-06100	WASHER, SPRING	4			
6	6E5-82148-00	WIRE, LEAD 4	1			
7	97095-06010	BOLT	1			
8	92995-06600	WASHER	1			
9	68V-43112-01-8D	BRACKET, CLAMP 2	1			
10	6E5-82148-00	WIRE, LEAD 4	1			
11	97885-06012	SCREW, PAN HEAD	1			
12	92995-06600	WASHER	1			
13	93700-06M03	NIPPLE, GREASE	1			
14	663-45119-00	CAP, GREASE NIPPLE	1			AP
15	64E-43131-01	BOLT, CLAMP BRACKET	1			
16	97095-08020	BOLT	1			
17	92995-08100	WASHER	1			
18	90386-25M31	BUSH	2			
19	90201-26M59	WASHER, PLATE	2			
20	90185-22M11	NUT, SELF-LOCKING	1			
21	90465-11M10	CLAMP	1			
22	64E-43311-20-8D	BRACKET, SWIVEL 1	1			X(25.3")
23	90465-08M63	CLAMP	1			
24	93700-06M03	NIPPLE, GREASE	5			
25	663-45119-00	CAP, GREASE NIPPLE	5			AP
26	68V-82149-30	WIRE, LEAD 3	1			X(25.3")
27	66T-43144-00	HOOK, SPRING	1			



**FWD**  
68VA110-K190

**FIG. 19 BRACKET 1**

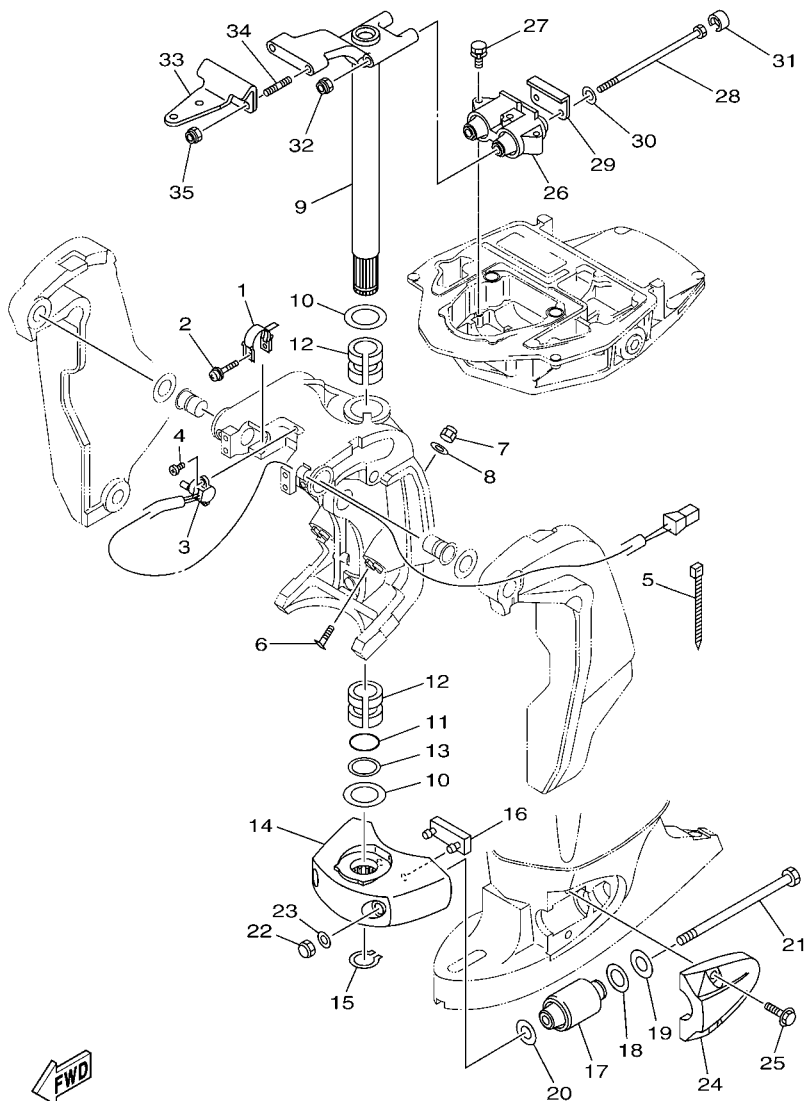
REF. NO.	PART NO.	DESCRIPTION	68VA			REMARKS
28	97095-06010	BOLT	1			
29	6G5-43181-02	LEVER, TILT STOP 1	1			
30	6G5-43185-02	LEVER, TILT STOP 2	1			
31	90386-10M16	BUSH	4			
32	6G5-43148-00	COLLAR, DISTANCE	2			
33	90249-06M19	PIN	1			
34	90387-10M05	COLLAR	1			
35	91690-30020	PIN, SPRING	2			
36	90506-14M24	SPRING, TENSION	1			
37	64E-43126-00	PIN, UPPER SHOCK MOUNT	1			
38	90386-22M98	BUSH	4			
39	93410-22M11	CIRCLIP	1			
40	90101-12M05	BOLT (L:130MM)	4			UR
	90101-12M77	BOLT (L:150MM)	2			UR
41	90201-13M01	WASHER, PLATE	8			
42	90201-12M05	WASHER, PLATE	4			
43	95380-12600	NUT	8			



68V9110-J200

FIG. 20 BRACKET 2

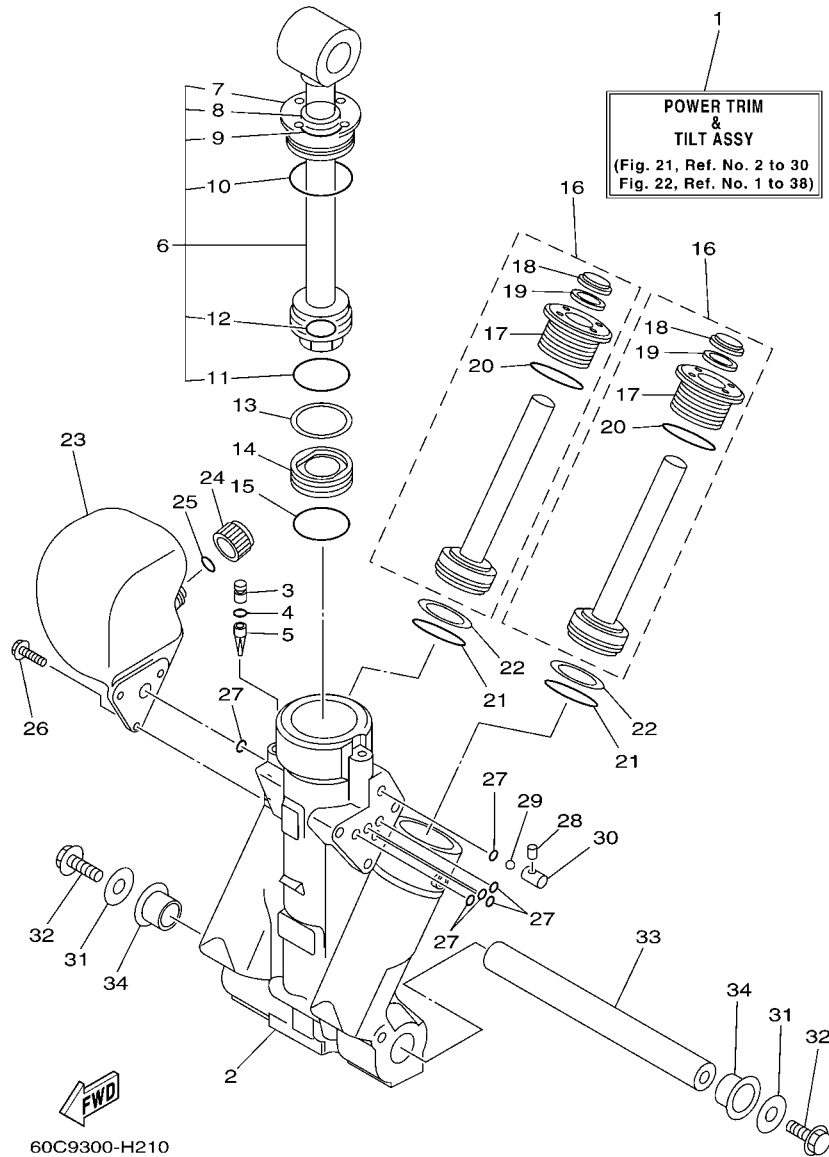
REF. NO.	PART NO.	DESCRIPTION	68VA				REMARKS
1	64E-43139-10	CAM, TRIM SENDER	1				
2	90159-05059	SCREW, WITH WASHER	1				
3	67H-83672-01	TRIM SENDER	1				
4	97885-06016	SCREW, PAN HEAD	2				
5	90465-11M10	CLAMP	3				
6	63P-43376-00	BOLT, THRUST RECEIVER	2				
7	95780-10300	NUT, FLANGE	2				
8	92995-10600	WASHER	2				
9	68V-42510-31-8D	STEERING BRACKET ASSY	1				X(25.3")
10	90201-38M60	WASHER, PLATE	2				
11	93210-37MH7	O-RING	1				
12	90386-38M32	BUSH	2				
13	90202-40M47	WASHER, PLATE	1				
14	68V-44551-00-8D	HOUSING, LOWER MOUNT RUBBER 1	1				
15	93410-37M04	CIRCLIP	1				
16	61A-44575-00	DAMPER, LOWER MOUNT RUBBER	1				
17	61A-44555-01-94	MOUNT DAMPER, LOWER SIDE	2				
18	90202-32M19	WASHER, PLATE	2				
19	90201-16M55	WASHER, PLATE	2				
20	90201-15M58	WASHER, PLATE	2				
21	90109-14007	BOLT	2				
22	95380-14600	NUT	2				
23	92995-14600	WASHER	2				
24	68V-44553-00-8D	COVER, LOWER MOUNT	2				
25	90119-10049	BOLT, WITH WASHER	4				
26	67F-44514-01	MOUNT DAMPER, UPPER SIDE	1				
27	90119-08091	BOLT, WITH WASHER	3				



68V9110-J200

FIG. 20 BRACKET 2

REF. NO.	PART NO.	DESCRIPTION	68VA				REMARKS
28	90109-12007	BOLT	2				
29	67F-44526-00	PLATE	1				
30	90201-12M09	WASHER, PLATE	2				
31	67F-44533-00	DAMPER, UPPER MOUNT RUBBER	2				
32	90185-12M12	NUT, SELF-LOCKING	2				
33	68V-48511-10	HOOK, STEERING	1				
34	90116-10175	BOLT, STUD	2				
35	90185-10051	NUT, SELF-LOCKING	2				

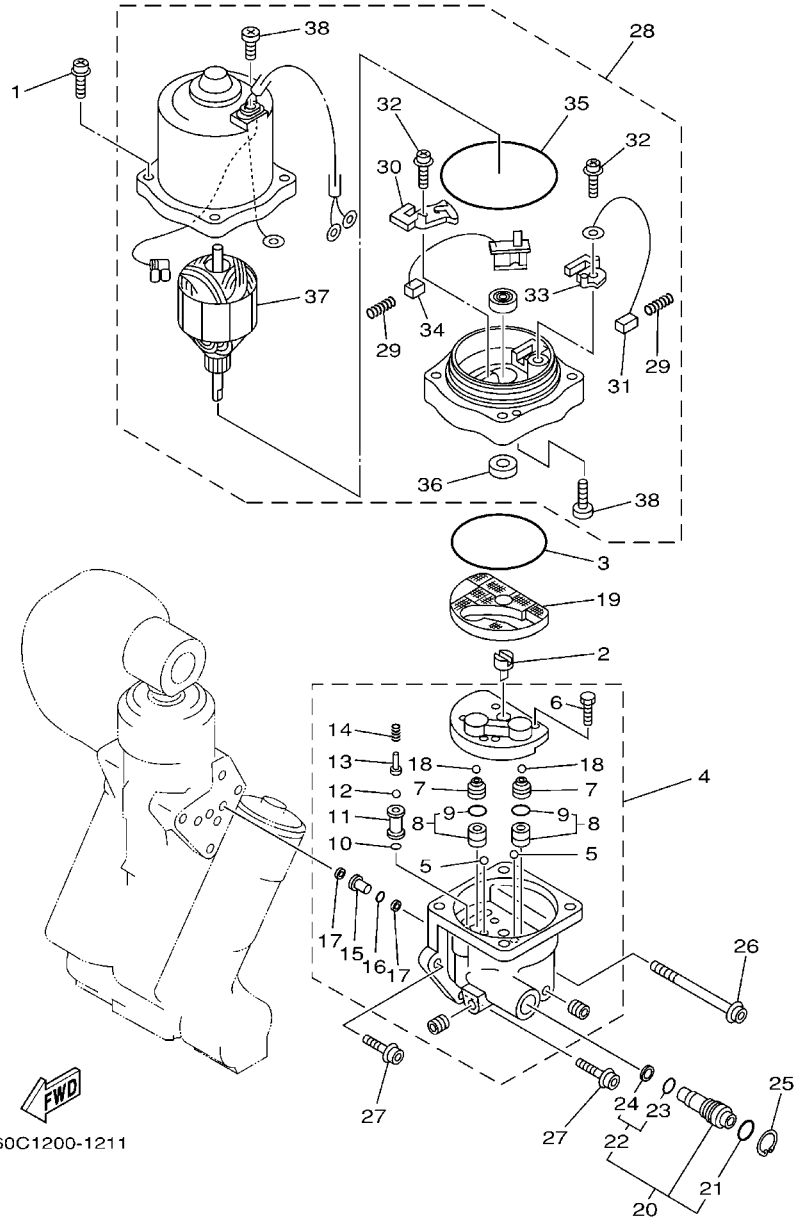


**FIG. 21 POWER TRIM & TILT ASSY 1**

REF. NO.	PART NO.	DESCRIPTION	68WA				REMARKS
1	68V-43800-04	POWER TRIM & TILT ASSY	1				
2	64E-43825-03	HOUSING, TRIM & TILT	1				
3	6AW-4388J-00	PLUG 2	1				
4	93210-10M74	O-RING	1				
5	64E-43817-00	FILTER 2	1				
6	64E-43810-02	TILT PISTON SUB ASSY	1				
7	64E-43811-02	.SCREW, CYLINDER END	1				
8	64E-43898-00	.SEAL, DUST 2	1				
9	64E-43867-00	.O-RING	1				
10	64E-43866-00	.O-RING	1				
11	6E5-43862-00	.O-RING	1				
12	64E-43883-00	.O-RING	1				
13	6E5-43872-00	RING, BACK UP	1				
14	6E5-43814-02	PISTON, FREE	1				
15	6E5-43862-00	O-RING	1				
16	64E-43820-02	TRIM PISTON SUB ASSY	2				
17	64E-43821-02	.SCREW, TRIM CYLINDER END	1				
18	64E-43822-00	.SEAL, TRIM DUST	1				
19	64E-4384J-00	.SEAL, TRIM DOWN	1				
20	6G5-43864-00	.O-RING	1				
21	6E5-43864-00	O-RING	2				
22	6E5-43874-01	RING, BACK UP	2				
23	64E-43828-01	BODY, RESERVOIR	1				
24	64E-43829-01	PLUG, RESERVOIR	1				
25	64E-43897-00	O-RING	1				
26	64E-4388E-01	BOLT ,SCREW (L:14MM)	3				
27	64E-43869-00	O-RING	6				







**FIG. 22 POWER TRIM & TILT ASSY 2**

REF. NO.	PART NO.	DESCRIPTION	68WA				REMARKS
1	64E-4388E-11	BOLT ,SCREW (L:34.7MM)	4				
2	64E-43831-00	CONNECTOR, SHAFT	1				
3	64E-43868-00	O-RING	1				
4	68V-43830-01	GEAR PUMP ASSY	1				
5	72X-43858-00	.BALL	2				
6	64E-43843-00	.SCREW, VALVE LOCK	4				
7	6AW-43841-00	.PISTON, SHUTTLE	2				
8	64E-43802-00	.VALVE SUB ASSY	2				
9	6E5-43896-00	..O-RING	1				
10	6G5-43863-00	.O-RING	1				
11	66Y-43851-00	.SEAT, RELIEF VALVE	1				
12	64E-43858-00	.BALL	1				
13	64E-43859-00	.PIN, VALVE SUPPORT	1				
14	68V-43855-00	.SPRING, UP RELIEF	1				
15	64E-43850-00	.VALVE SUB ASSY	1				
16	64E-43865-00	.O-RING	1				
17	64E-43816-00	.FILTER 1	2				
18	6AW-43858-00	.BALL	2				
19	64E-43817-11	FILTER 2	1				
20	64E-43860-01	MANUAL VALVE SUB-ASSY	1				
21	72X-85075-L0	.O-RING	1				
22	64E-43827-00	.RING SET	1				
23	64E-4387A-00	..O-RING	1				
24	64E-43873-00	..RING, BACK UP	1				
25	6AW-43875-00	RING, SNAP	1				
26	64E-43879-11	SCREW, WITH WASHER	1				
27	64E-43879-01	SCREW, WITH WASHER	2				

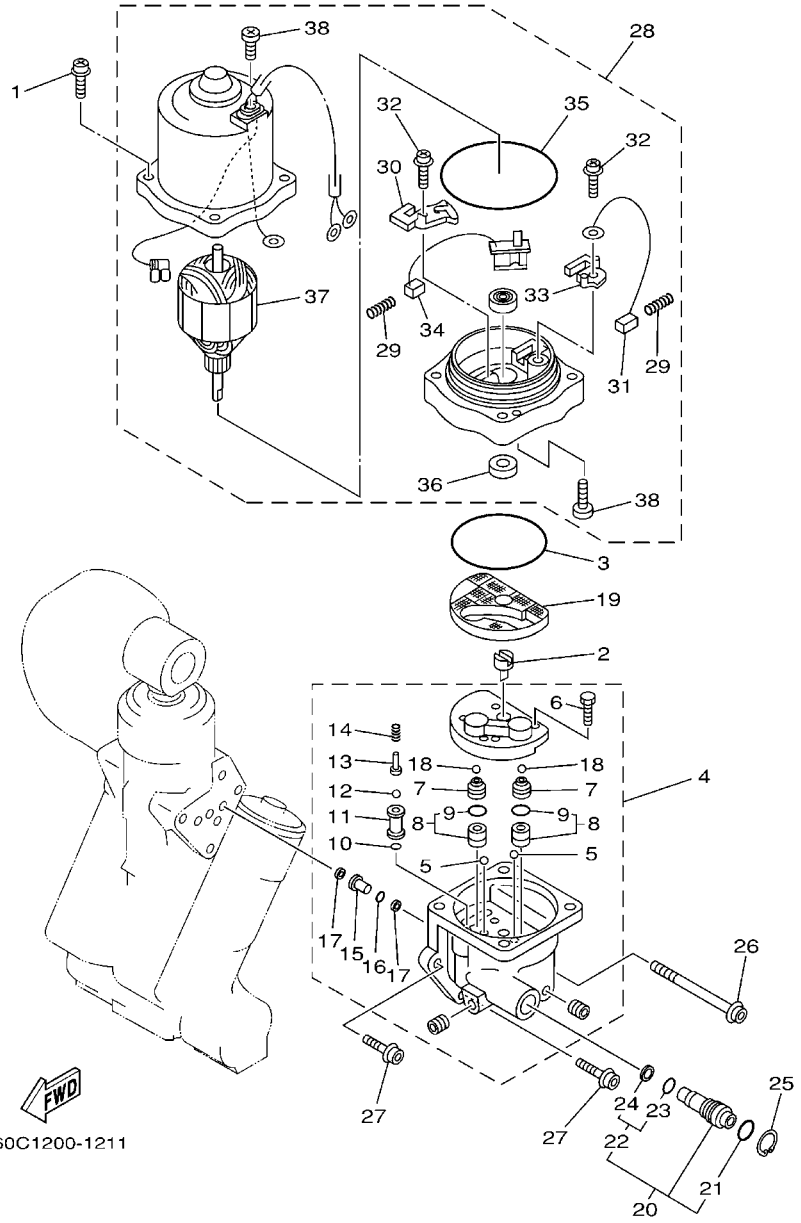
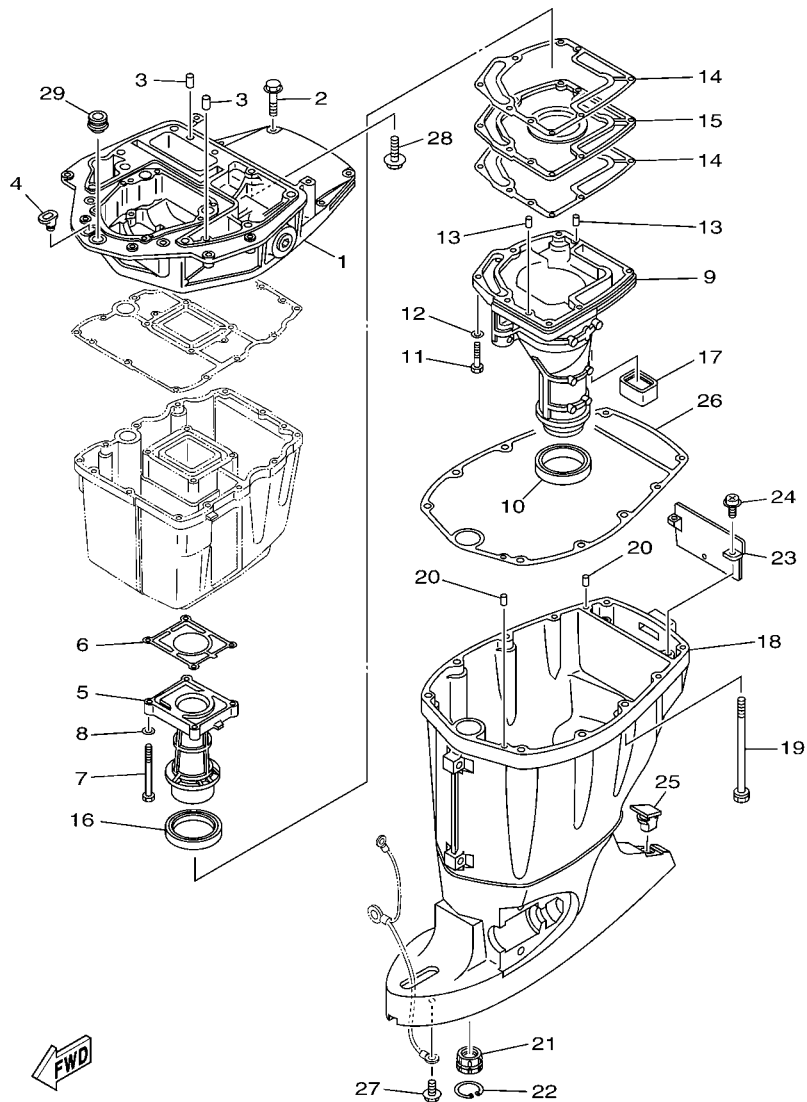


FIG. 22 POWER TRIM & TILT ASSY 2

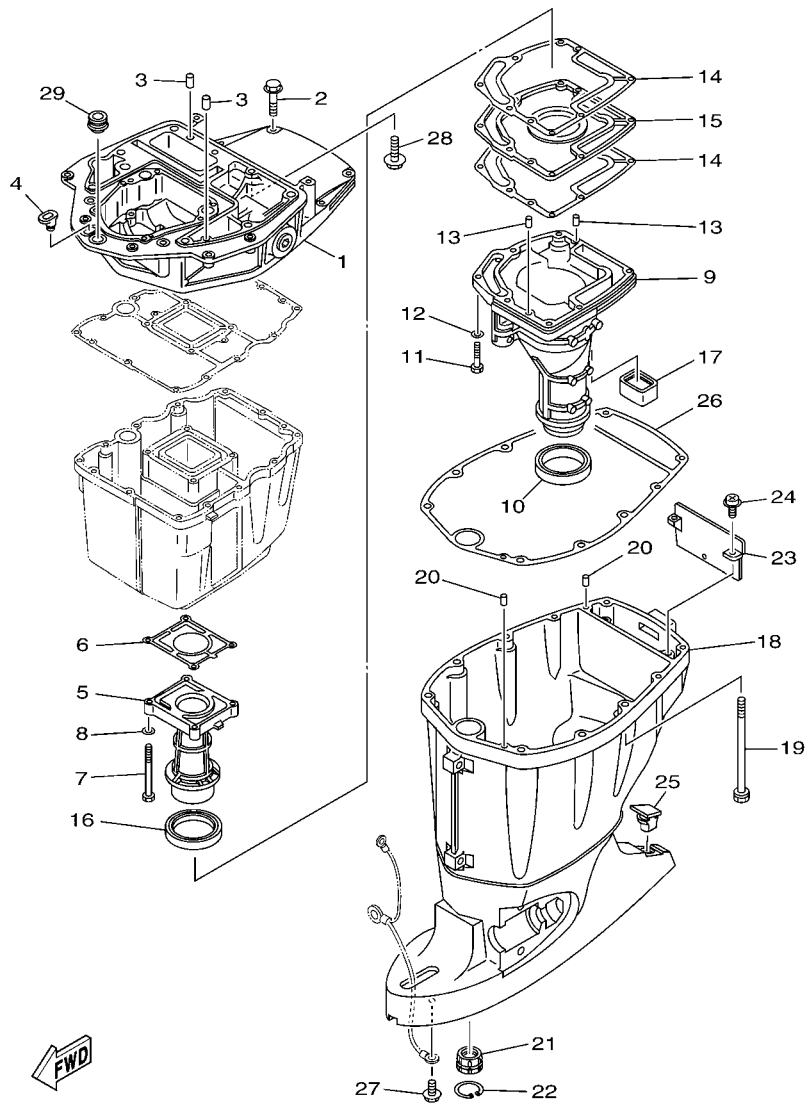
REF. NO.	PART NO.	DESCRIPTION	68WA				REMARKS
28	68V-43880-03	MOTOR ASSY	1				
29	6H1-4386K-10	.SPRING, BRUSH	2				
30	64E-4380J-00	.HOLDER, BRUSH	1				
31	64E-43891-00	.BRUSH 1	1				
32	97607-04310	.SCREW,WITH WASHER	2				
33	64E-4380F-00	.HOLDER, BRUSH 2	1				
34	64E-43892-00	.BRUSH 2	1				
35	6G5-43865-00	.O-RING	1				
36	93102-08M43	.OIL SEAL	1				
37	64E-43805-00	.ARMATURE ASSY	1				
38	64E-43843-10	.SCREW, VALVE LOCK	3				



68VA110-K230

FIG. 23 UPPER CASING

REF. NO.	PART NO.	DESCRIPTION	68VA				REMARKS
1	67F-41137-02-CA	GUIDE, EXHAUST	1				
2	97575-08540	BOLT, WITH WASHER	4				
3	93608-16M16	PIN, DOWEL	2				
4	6G1-42727-00	GROMMET	1				
5	67F-41131-01-CA	MANIFOLD, EXT. 1	1				
6	67F-41133-A1	GASKET, EXHAUST MANIFOLD 1	1				
7	97075-06070	BOLT	4				
8	92995-06600	WASHER	4				
9	68V-14711-30-CA	MUFFLER 1	1				X(25.3")
10	68V-45123-00	GASKET, MUFFLER	1				
11	97075-06030	BOLT	7				
12	92995-06600	WASHER	7				
13	93606-19M23	PIN, DOWEL	2				
14	67F-41134-A0	GASKET, EXHAUST MANIFOLD	2				
15	67F-45181-00-CA	PLATE	1				
16	67F-41138-00	SEAL, EXT. 1	1				
17	67F-45127-00	SEAL	1				
18	68V-45111-31-8D	CASING, UPPER	1				X(25.3")
19	90119-10M08	BOLT, WITH WASHER	6				
20	93608-16M16	PIN, DOWEL	2				
21	6E5-45318-00	BUSHING, DRIVE SHAFT	1				
22	93420-36M01	CIRCLIP	1				
23	67F-45151-00	COVER, UPPER CASING	1				
24	97980-06216	SCREW, WITH WASHER	2				
25	6C5-45155-00	CAP	1				
26	67F-45113-00	GASKET, UPPER CASING	1				
27	95895-06010	BOLT, FLANGE	1				



**FIG. 23 UPPER CASING**

REF. NO.	PART NO.	DESCRIPTION	68VA				REMARKS
28	90119-08M58	BOLT, WITH WASHER	2				
29	67F-42724-00	GROMMET	1				

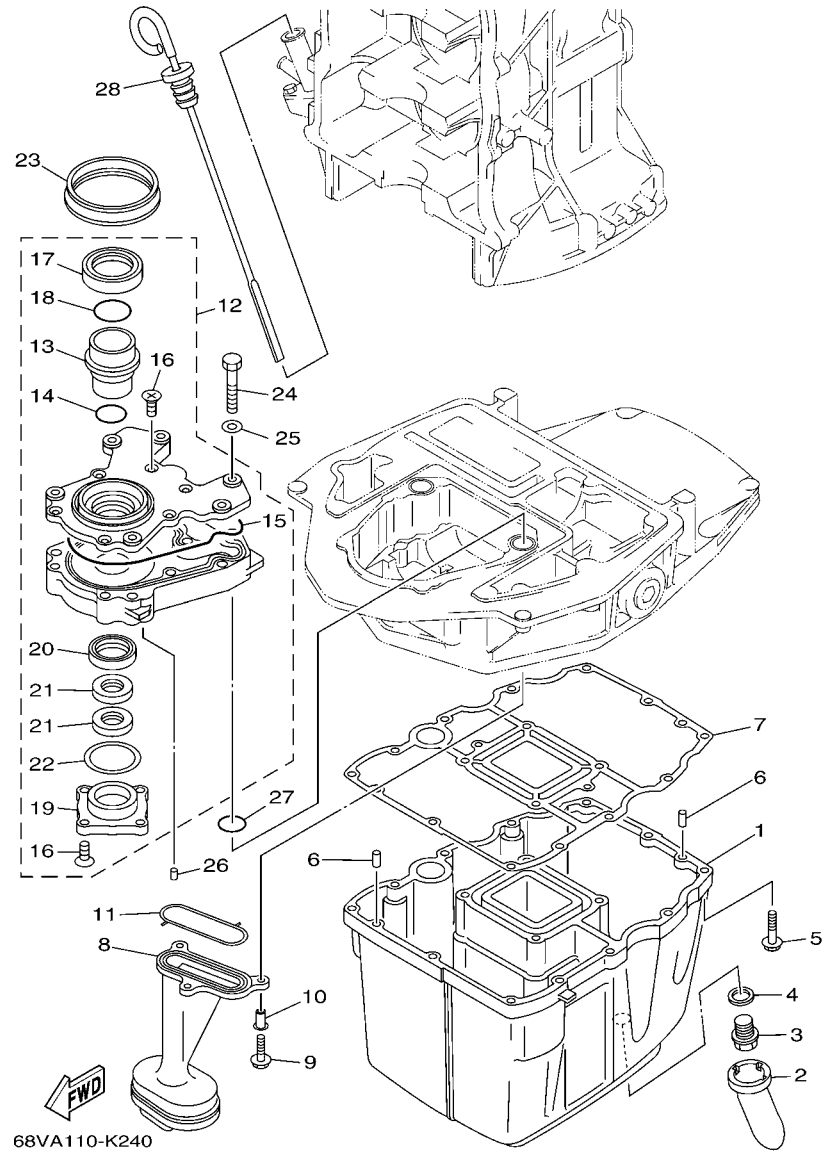


FIG. 24 OIL PAN

REF. NO.	PART NO.	DESCRIPTION	68VA				REMARKS
1	68V-15311-00-CA	OIL PAN	1				
2	63P-15316-00	DAMPER 1	1				
3	90340-14M06	PLUG, STRAIGHT SCREW	1				
4	90430-14M09	GASKET	1				
5	97575-06525	BOLT, WITH WASHER	12				
6	93606-12019	PIN, DOWEL	2				
7	68V-15312-00	GASKET, OIL PAN	1				
8	67F-13411-00	STRAINER, OIL	1				
9	95812-06025	BOLT, FLANGE	3				
10	90387-06263	COLLAR	3				
11	67F-13415-00	SEAL, OIL STRAINER	1				
12	67F-13300-10	OIL PUMP ASSY	1				
13	67F-13314-02	.SHAFT, PUMP	1				
14	67F-13473-01	.O-RING	1				
15	67F-13329-00	.GASKET, PUMP COVER	1				
16	67F-13495-00	.SCREW	10				
17	67F-13119-01	.OIL SEAL	1				
18	67F-13769-00	.O-RING	1				
19	67F-13914-00	.HOUSING, PUMP	1				
20	67F-13631-03	.OIL SEAL	1				
21	67F-13149-00	.OIL SEAL	2				
22	67F-13339-00	.GASKET, PUMP COVER	1				
23	67F-13338-00	SEAL	1				
24	97095-06045	BOLT	6				
25	92995-06600	WASHER	6				
26	93604-12M07	PIN, DOWEL	2				
27	93210-19MJ1	O-RING	2				



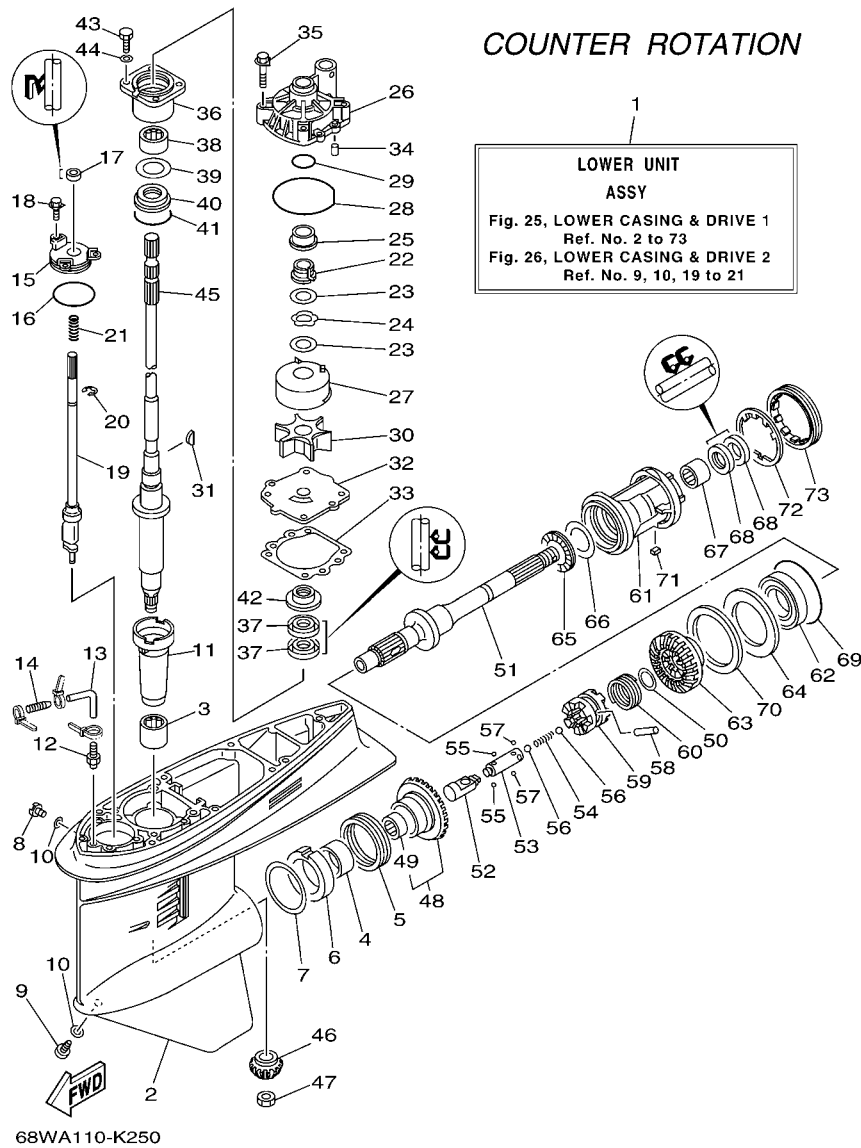
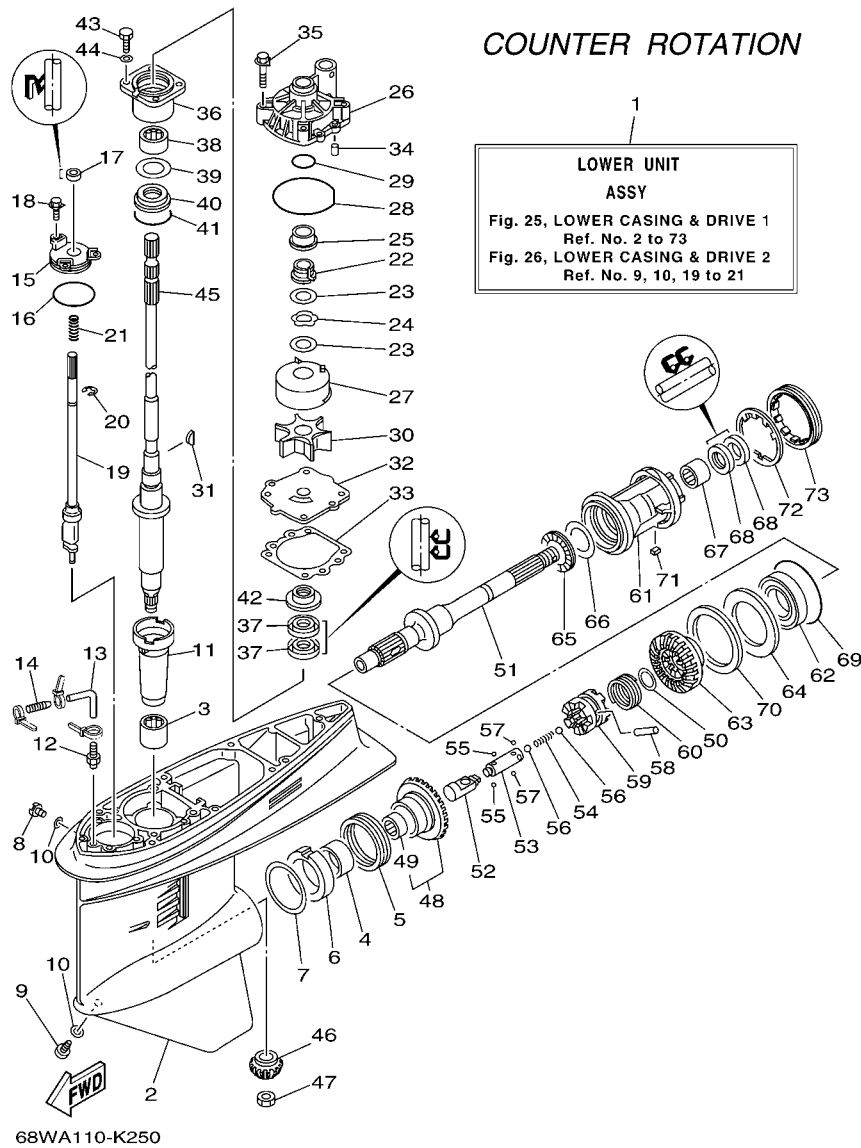


FIG. 25 LOWER CASING & DRIVE 1

REF. NO.	PART NO.	DESCRIPTION	68WA		REMARKS
1	68W-45300-32-8D	LOWER UNIT ASSY	1		X(25.3"),LH
2	6E5-45301-05-8D	CASING, LOWER	1		
3	93315-628U9	BEARING	1		
4	93315-345W0	BEARING	1		
5	93341-360U8	BEARING	1		
6	6L6-45538-00	SPACER 1	1		
7	6E5-45567-01	SHIM (T:0.10MM)	1		UR
	6E5-45567-10	SHIM (T:0.12MM)	1		UR
	6E5-45567-20	SHIM (T:0.15MM)	1		UR
	6E5-45567-30	SHIM (T:0.18MM)	1		UR
	6E5-45567-40	SHIM (T:0.30MM)	1		UR
	6E5-45567-50	SHIM (T:0.40MM)	1		UR
	6E5-45567-60	SHIM (T:0.50MM)	1		UR
8	90340-08002	PLUG, STRAIGHT SCREW	1		
9	688-45341-10	PLUG, DRAIN	1		
10	90430-08020	GASKET	2		
11	6E5-45536-00	SLEEVE, DRIVE SHAFT	1		
12	6E5-45378-00	NIPPLE, HOSE	1		
13	90445-07ME9	HOSE (L120)	1		X(25.3")
14	6E5-83558-10	END, NIPPLE	1		
15	6E5-45321-00	PLATE	1		
16	93210-58144	O-RING	1		
17	93106-09014	OIL SEAL	1		
18	90119-06M10	BOLT, WITH WASHER	3		
19	6E5-44150-02	SHIFT CAM ASSY	1		
20	99001-08600	CIRCLIP	1		
21	90501-11M10	SPRING, COMPRESSION	1		





**FIG. 25 LOWER CASING & DRIVE 1**

REF. NO.	PART NO.	DESCRIPTION	68WA		REMARKS
22	61A-45538-00	SPACER 1	1		
23	90201-22M01	WASHER, PLATE	2		
24	90206-22M19	WASHER, WAVE	1		
25	61A-45527-00	COLLAR, DRIVE SHAFT	1		
26	61A-44311-01	HOUSING, WATER PUMP	1		
27	61A-44322-02	INSERT, CARTRIDGE	1		
28	93210-86M38	O-RING	1		
29	93210-37160	O-RING	1		
30	6E5-44352-01	IMPELLER	1		
31	90280-04M05	KEY, WOODRUFF	1		
32	68V-44323-00	OUTER PLATE, CARTRIDGE	1		
33	6E5-44315-A0	GASKET, WATER PUMP	1		
34	93606-12019	PIN, DOWEL	2		
35	90119-08M14	BOLT, WITH WASHER	4		
36	6E5-45331-00-9S	HOUSING, BEARING	1		
37	93101-28M16	OIL SEAL	2		
38	93317-330U2	BEARING	1		
39	6E5-45587-01	SHIM (T:0.10MM)	1		UR
	6E5-45587-10	SHIM (T:0.12MM)	1		UR
	6E5-45587-20	SHIM (T:0.15MM)	1		UR
	6E5-45587-30	SHIM (T:0.18MM)	1		UR
	6E5-45587-40	SHIM (T:0.30MM)	1		UR
	6E5-45587-50	SHIM (T:0.40MM)	1		UR
	6E5-45587-60	SHIM (T:0.50MM)	1		UR
40	93341-930V2	BEARING	1		
41	93210-55M14	O-RING	1		
42	6E5-45344-00	COVER, OIL SEAL	1		

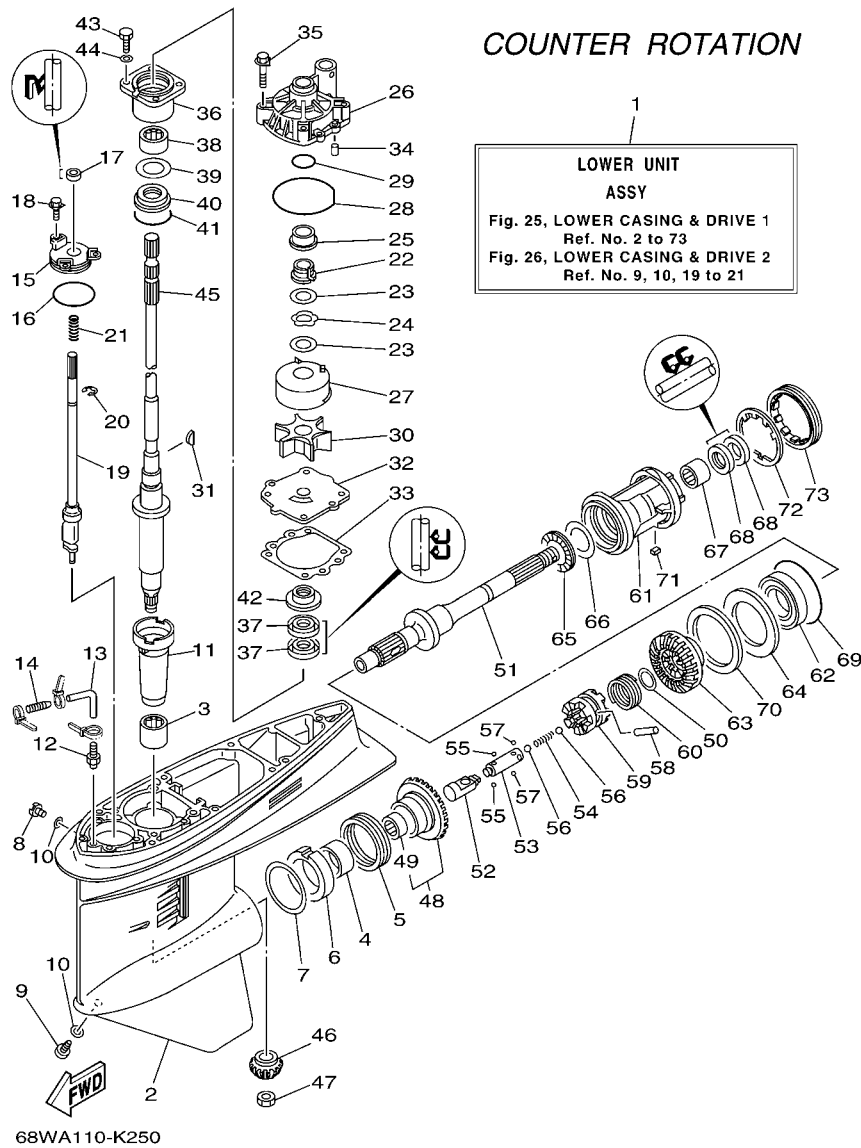
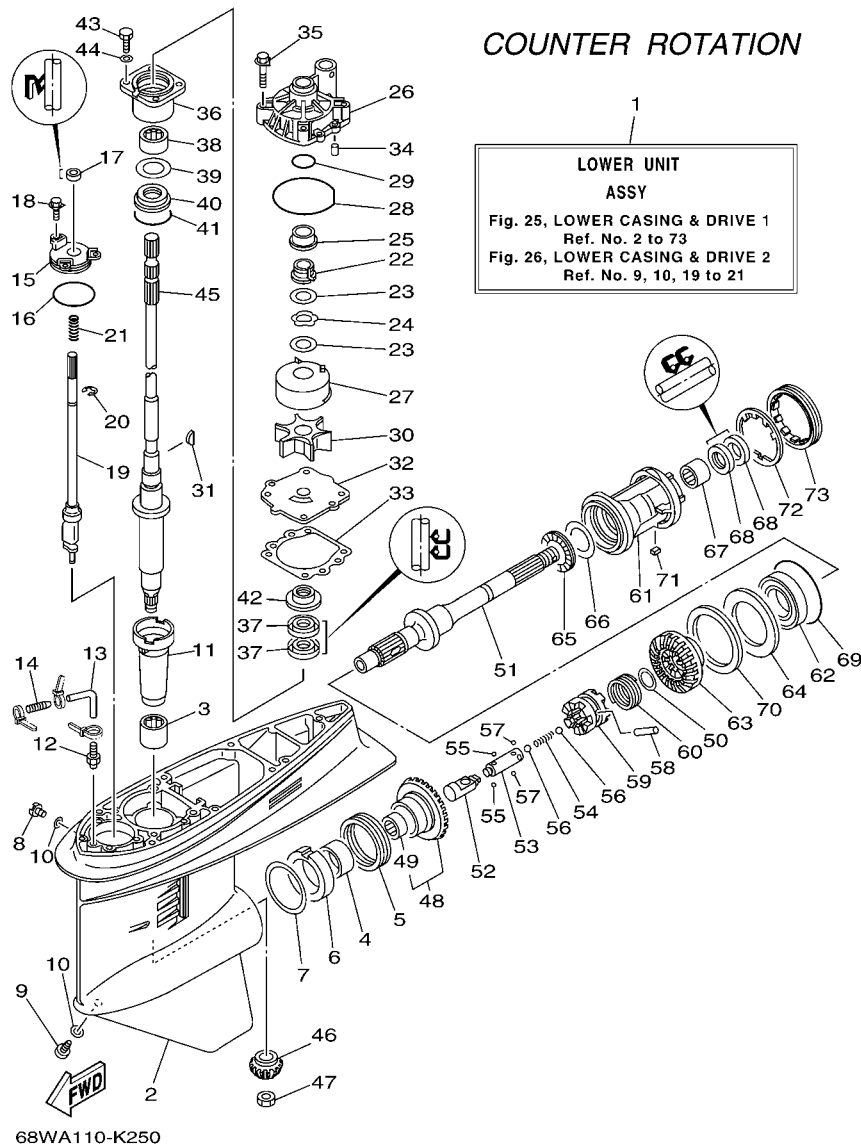


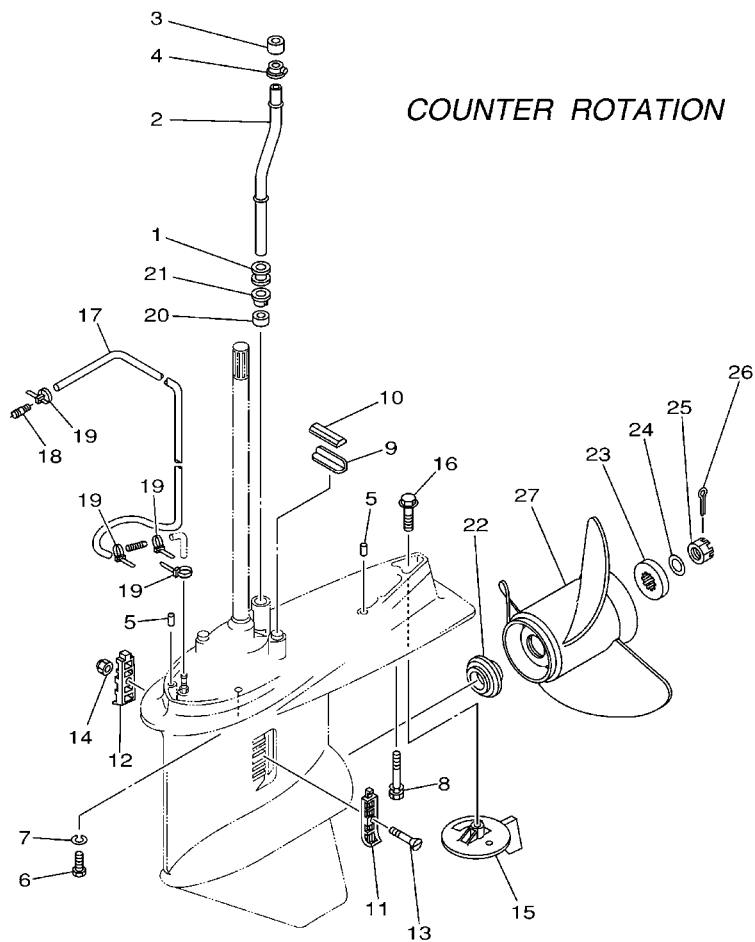
FIG. 25 LOWER CASING & DRIVE 1

REF. NO.	PART NO.	DESCRIPTION	68WA				REMARKS
43	97095-08025	BOLT	4				
44	92995-08600	WASHER	4				
45	68V-45501-30	DRIVE SHAFT COMP.	1				X(25.3")
46	68V-45551-00	PINION (13T)	1				
47	90170-16M01	NUT	1				
48	68W-45560-00	GEAR 1 (28T)	1				
49	93315-425U7	.BEARING	1				
50	90201-26M00	WASHER, PLATE	1				
51	68W-45611-00	SHAFT, PROPELLER	1				
52	6E5-45641-03	SHIFTER	1				
53	6E5-45634-01	SLIDE, SHIFT	1				
54	90501-16M37	SPRING, COMPRESSION	1				
55	93507-32009	BALL	2				
56	93511-32017	BALL	2				
57	93503-16003	BALL	2				
58	90250-08M07	PIN, STRAIGHT	1				
59	68V-45631-01	CLUTCH, DOG	1				
60	6E5-45633-01	RING, CROSS PIN	1				
61	6L6-45332-00-CA	HOUSING, BEARING	1				
62	93332-000V7	BEARING	1				
63	68W-45570-10	GEAR 2 (28T)	1				
64	6L6-45576-00	WASHER, THRUST 2	1				
65	93341-440U5	BEARING	1				
66	6K1-45578-01	SHIM (T:0.10MM)	1				UR
	6K1-45578-10	SHIM (T:0.12MM)	1				UR
	6K1-45578-20	SHIM (T:0.15MM)	1				UR
	6K1-45578-30	SHIM (T:0.18MM)	1				UR



**FIG. 25 LOWER CASING & DRIVE 1**

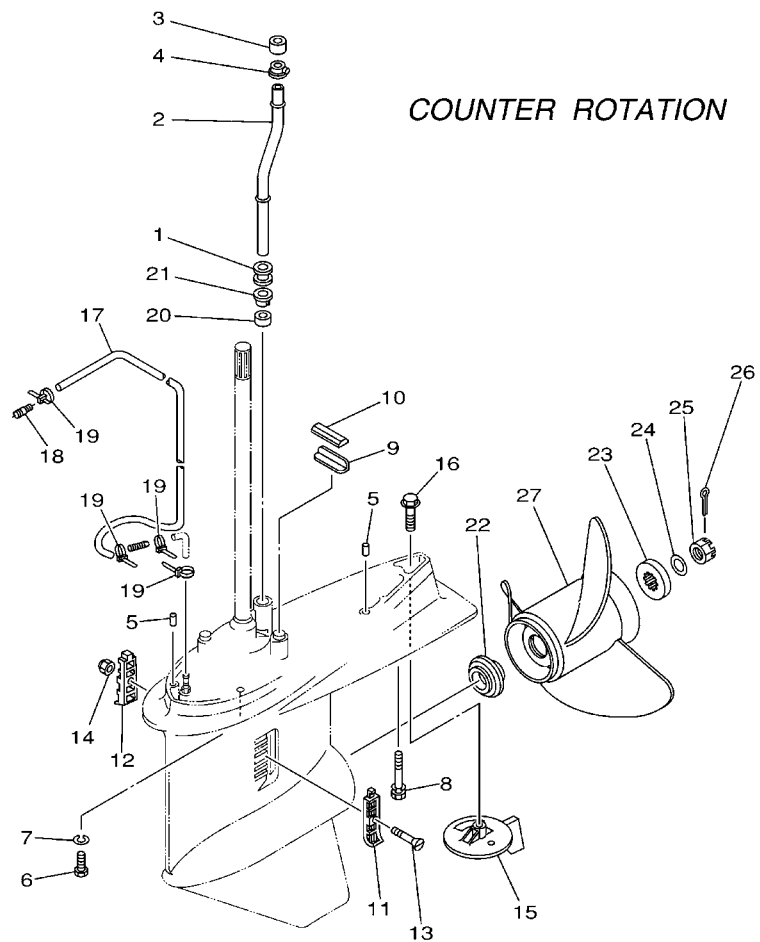
REF. NO.	PART NO.	DESCRIPTION	68WA				REMARKS
66	6K1-45578-40	SHIM (T:0.30MM)	1				UR
	6K1-45578-50	SHIM (T:0.40MM)	1				UR
	6K1-45578-60	SHIM (T:0.50MM)	1				UR
67	93315-43061	BEARING	1				
68	93101-30M17	OIL SEAL	2				
69	93210-86M39	O-RING	1				
70	6L6-45577-00	SHIM (T:0.10MM)	1				UR
	6L6-45577-10	SHIM (T:0.12MM)	1				UR
	6L6-45577-20	SHIM (T:0.15MM)	1				UR
	6L6-45577-30	SHIM (T:0.18MM)	1				UR
	6L6-45577-40	SHIM (T:0.30MM)	1				UR
	6L6-45577-50	SHIM (T:0.40MM)	1				UR
	6L6-45577-60	SHIM (T:0.50MM)	1				UR
71	90282-04010	KEY, STRAIGHT	1				
72	688-45383-02	WASHER, CLAW	1				
73	688-45384-02	NUT	1				



68W0100-1310

**FIG. 26 LOWER CASING & DRIVE 2**

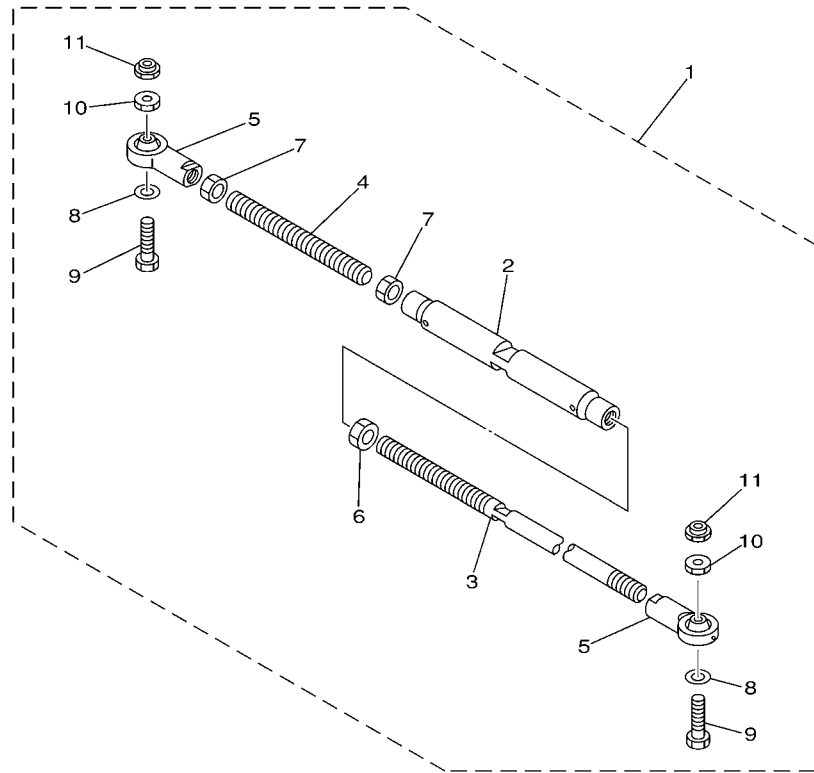
REF. NO.	PART NO.	DESCRIPTION	68WA				REMARKS
1	6E5-44366-00	DAMPER, WATER SEAL 2	1				
2	68V-44361-30	TUBE, WATER 1	1				X(25.3")
3	6E5-44365-00	DAMPER, WATER SEAL 1	1				
4	6E5-44312-00	COVER, WATER PUMP HOUSING	1				
5	93608-12M05	PIN, DOWEL	2				
6	97075-10045	BOLT	6				
7	92995-10100	WASHER	6				
8	90119-10M89	BOLT, WITH WASHER	1				
9	663-45376-00	GUIDE, SEAL DAMPER	1				
10	688-45375-00	DAMPER, SEAL	1				
11	688-45214-02	COVER, WATER INLET 1	1				
12	688-45215-02	COVER, WATER INLET 2	1				
13	90152-05M07	SCREW, COUNTERSUNK	1				
14	90185-05002	NUT, NYLON	1				
15	6L6-45371-00	TAB-TRIM	1				
16	90105-10M00	BOLT, FLANGE	1				
17	90445-076K2	HOSE (L1550)	1				
18	6E5-83558-00	END, NIPPLE	1				
19	90465-11M10	CLAMP	4				
20	6E5-44365-00	DAMPER, WATER SEAL 1	1				
21	6E5-44312-00	COVER, WATER PUMP HOUSING	1				
22	63P-45987-00	SPACER 1	1				
23	688-45997-01	SPACER 2	1				
24	92990-18200	WASHER	1				
25	90171-18M04	NUT, CASTLE	1				
26	91490-40030	PIN, COTTER	1				
27	6L6-45930-01-98	PROPELLER (3X13"X17"-KL)	1				UR



 68W0100-1310

FIG. 26 LOWER CASING & DRIVE 2

REF. NO.	PART NO.	DESCRIPTION	68WA				REMARKS
27	6L6-45970-00-98	PROPELLER (3X13"X19"-KL)	1				UR
	6L6-45972-00-98	PROPELLER (3X13"X21"-KL)	1				UR



67H0100-0300

FIG. 27 STEERING GUIDE

REF. NO.	PART NO.	DESCRIPTION	68WA				REMARKS
1	6E5-61301-01	TWIN KIT (L:600-800MM)	1				AP
2	6E5-61313-00	.ADJUSTER	1				
3	6E5-61311-11	.TIE BAR	1				
4	6E5-61315-00	.TIE BAR	1				
5	6E5-61303-00	.STEERING AXLE COMP.	2				
6	90170-14M06	.NUT	1				
7	95380-14700	.NUT	2				
8	90201-10M76	.WASHER, PLATE	2				
9	90101-09M70	.BOLT	2				
10	90170-09M05	.NUT	2				
11	90185-09M01	.NUT, SELF-LOCKING	2				

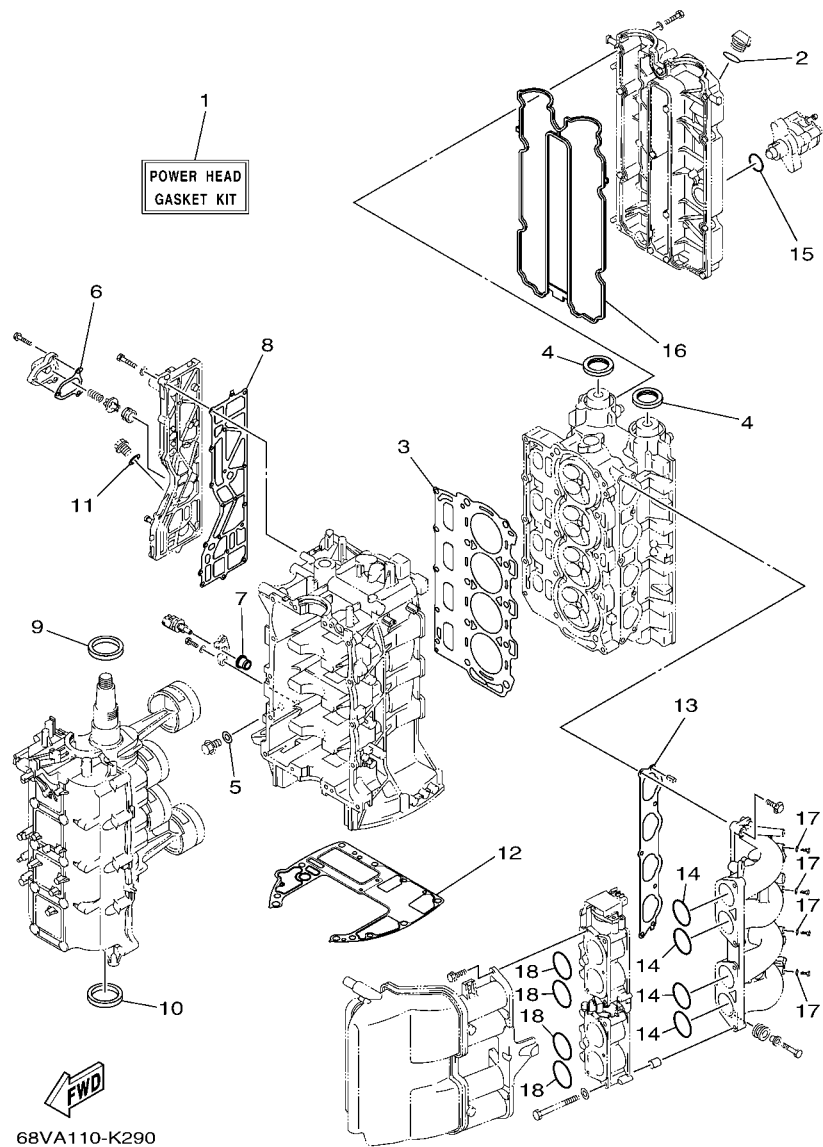


FIG. 28 REPAIR KIT 1

REF. NO.	PART NO.	DESCRIPTION	68VA				REMARKS
1	68V-W0001-05	POWER HEAD GASKET KIT	1				
2	93210-24M79	.O-RING	1				
3	67F-11181-03	.GASKET, CYLINDER HEAD 1	1				
4	93102-38008	.OIL SEAL	2				
5	90430-14115	.GASKET	1				
6	67F-12435-A0	.GASKET	1				
7	68V-85753-00	.GASKET, SENDER UNIT	1				
8	67F-41114-A2	.GASKET, EXHAUST OUTER COVER	1				
9	93102-48009	.OIL SEAL	1				
10	93101-48002	.OIL SEAL	1				
11	90430-18130	.GASKET	1				
12	68V-11351-00	.GASKET, CYLINDER	1				
13	68V-13645-00	.GASKET, MANIFOLD 1	1				
14	93210-48MG8	.O-RING	4				
15	93210-30682	.O-RING	1				
16	6D8-11356-01	.SEAL, CYLINDER 2	1				
17	90430-06014	.GASKET	4				
18	93210-48MJ9	.O-RING	4				

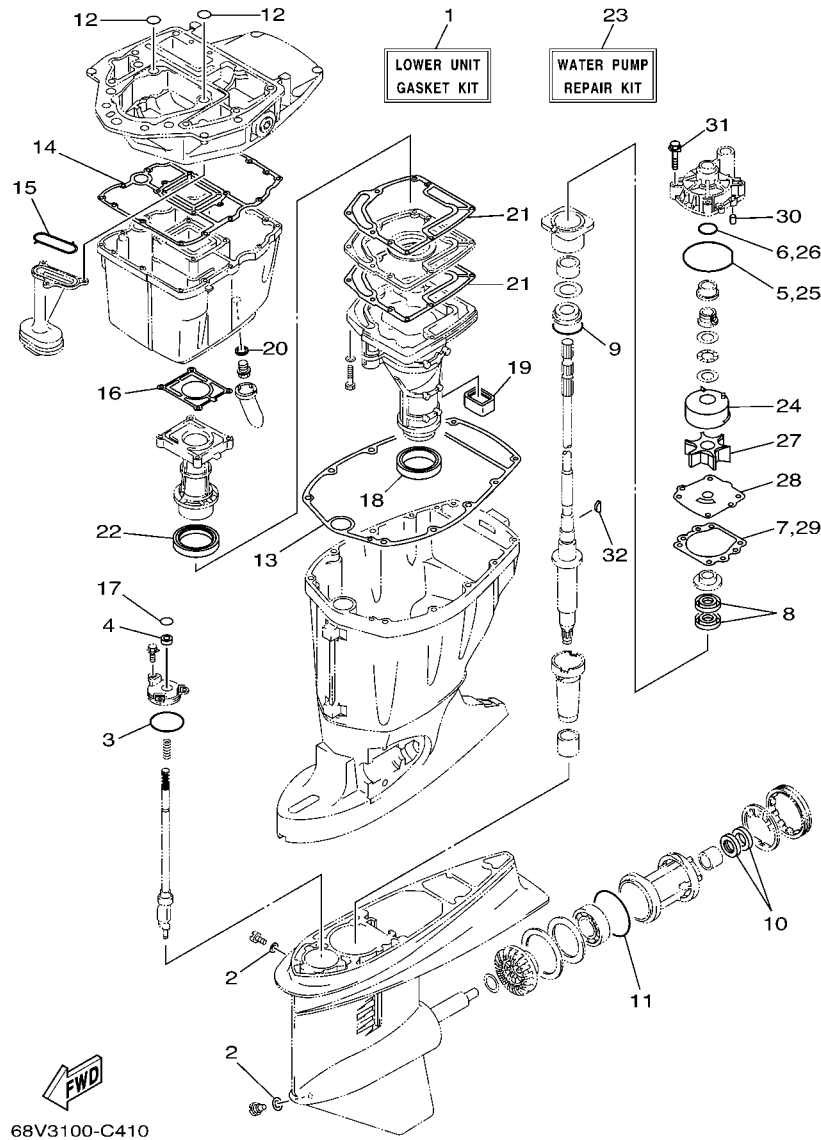


FIG. 29 REPAIR KIT 2

REF. NO.	PART NO.	DESCRIPTION	68VA				REMARKS
1	68V-W0001-21	LOWER UNIT GASKET KIT	1				
2	90430-08020	.GASKET	2				
3	93210-58144	.O-RING	1				
4	93106-09014	.OIL SEAL	1				
5	93210-86M38	.O-RING	1				
6	93210-37160	.O-RING	1				
7	6E5-44315-A0	.GASKET, WATER PUMP	1				
8	93101-28M16	.OIL SEAL	2				
9	93210-55M14	.O-RING	1				
10	93101-30M17	.OIL SEAL	2				
11	93210-86M39	.O-RING	1				
12	93210-19MJ1	.O-RING	2				
13	67F-45113-00	.GASKET, UPPER CASING	1				
14	68V-15312-00	.GASKET, OIL PAN	1				
15	67F-13415-00	.SEAL, OIL STRAINER	1				
16	67F-41133-A1	.GASKET, EXHAUST MANIFOLD 1	1				
17	93210-09165	.O-RING	1				
18	68V-45123-00	.GASKET, MUFFLER	1				
19	67F-45127-00	.SEAL	1				
20	90430-14M09	.GASKET	1				
21	67F-41134-A0	.GASKET, EXHAUST MANIFOLD	2				
22	67F-41138-00	.SEAL, EXT. 1	1				
23	68V-W0078-00	WATER PUMP REPAIR KIT	1				
24	61A-44322-02	.INSERT, CARTRIDGE	1				
25	93210-86M38	.O-RING	1				
26	93210-37160	.O-RING	1				
27	6E5-44352-01	.IMPELLER	1				





NUMERICAL INDEX

PART NO.	REF. NO.	PART NO.	REF. NO.	PART NO.	REF. NO.	PART NO.	REF. NO.	PART NO.	REF. NO.	PART NO.	REF. NO.
68V-11110-20-9S	4 - 2	6D8-12153-10	5 - 9	68V-13160-00	8 - 1	68V-13972-00	8 - 15	68V-15311-00-CA	24 - 1	67F-41131-01-CA	23 - 5
62Y-11119-00	2 - 9	6D8-12153-20	5 - 9	67F-13300-10	24 - 12	68V-13973-10	9 - 20	68V-15312-00	24 - 7	67F-41133-A1	23 - 6
67F-11133-10	4 - 3	6D8-12153-30	5 - 9	67F-13314-02	24 - 13	68V-1410B-00	8 - 3		29 - 14		29 - 16
67F-11168-00	4 - 19	6D8-12153-40	5 - 9	67F-13329-00	24 - 15	68V-14126-00	9 - 15	63P-15316-00	24 - 2	67F-41134-A0	23 - 14
67F-11181-03	4 - 14	6D8-12153-50	5 - 9	68V-13338-00	24 - 23	68V-14180-03	9 - 1	6D8-15362-00	24 - 28		29 - 21
	28 - 3	6D8-12153-60	5 - 9	67F-13339-00	24 - 22	68V-14181-00	9 - 3	6G8-15363-00	4 - 33	67F-41137-02-CA	23 - 1
6D8-11191-01-9S	4 - 18	6D8-12153-70	5 - 9	67F-13411-00	24 - 8	68V-14182-01	9 - 2	67F-15373-00	6 - 6	67F-41138-00	23 - 16
67F-11192-01	4 - 26	6D8-12153-80	5 - 9	67F-13415-00	24 - 11	68V-14191-00	9 - 14	69J-21841-02	8 - 13		29 - 22
69J-11301-00	2 - 34	6D8-12153-90	5 - 9		29 - 15	68V-14200-40	7 - 1	68V-2247A-10	8 - 26	68V-41237-00	7 - 28
	4 - 8	6D8-12153-A0	5 - 9	67F-13434-20	1 - 37	68V-14225-00	8 - 5	68V-2247B-00	8 - 27	6H4-41237-00	7 - 29
6E5-11325-00	2 - 14	6D8-12153-B0	5 - 9	68V-13435-00	8 - 6	69J-14225-01	9 - 39	68V-2411M-00	8 - 17	68V-42154-00	18 - 34
67F-11325-01	2 - 35	6D8-12153-C0	5 - 9	68V-13437-42	12 - 22	68V-14255-00	9 - 12	68V-24149-00	10 - 25	68V-42157-00	18 - 28
	4 - 9	6D8-12153-D0	5 - 9	5GH-13440-00	2 - 48	68V-14264-00	8 - 12	68V-2417H-00	7 - 36	68V-42171-00	18 - 29
67F-11328-00	2 - 36	6D8-12153-E0	5 - 9	68V-13473-00	7 - 11	68V-14265-00	8 - 23	6D8-24311-00	10 - 14	68V-42510-31-8D	20 - 9
	4 - 10	6D8-12153-F0	5 - 9	67F-13473-01	24 - 14	68V-14291-00	6 - 14	68V-24312-00	17 - 41	68V-42541-00	2 - 22
68V-11351-00	2 - 43	6D8-12153-G0	5 - 9	67F-13495-00	24 - 16	68V-14292-00	6 - 21	61A-24316-00	2 - 27	68V-42610-12	1 - 1
	28 - 12	6D8-12153-H0	5 - 9	68V-13532-01	9 - 26	68V-14321-00	7 - 4	6Y2-24360-70	11 - 1	68V-42612-00-8D	1 - 17
6D8-11356-01	4 - 23	6D8-12153-J0	5 - 9	68V-13533-00	9 - 24	68V-14323-00	7 - 3	68V-24374-00	10 - 21	68V-42613-00	1 - 15
	28 - 16	6D8-12153-K0	5 - 9	68V-13534-00	9 - 32	68V-14331-00	7 - 5	68V-24377-00	9 - 29	68V-42615-00	1 - 21
676-11372-00	2 - 17	6D8-12153-L0	5 - 9	68V-13535-00	9 - 36		7 - 7	6R3-24377-10	10 - 29	68V-42617-00	1 - 30
68V-11411-00	3 - 1	6D8-12153-M0	5 - 9	68V-13542-00	9 - 23	68V-14356-00	8 - 11	688-24378-00	2 - 26	68V-42619-00	1 - 31
6D8-11416-00	3 - 4	6D8-12153-N0	5 - 9	68V-13543-01	9 - 38	68V-14357-00	8 - 21	68V-24379-00	9 - 30	68V-42628-00	1 - 19
6D8-11416-10	3 - 4	6D8-12153-P0	5 - 9	68V-13544-00	9 - 25	68V-14386-00	9 - 6	6D8-24410-00	10 - 15	68V-42632-00	1 - 22
6D8-11416-20	3 - 4	6D8-12153-R0	5 - 9	68V-13545-00	9 - 27	68V-14397-00	8 - 7	68V-24411-00	10 - 20	68V-42647-00	1 - 2
6D8-11417-00	3 - 5	6D8-12153-S0	5 - 9	68V-13546-00	9 - 28	68V-14419-10	7 - 24	68V-24412-00	10 - 16	67F-42649-00	1 - 11
6D8-11417-10	3 - 5	6D8-12153-T0	5 - 9	68V-13547-01	9 - 33	68V-1441J-00	7 - 35	68V-24413-00	10 - 22	68V-42651-00	1 - 5
6D8-11417-20	3 - 5	6D8-12153-U0	5 - 9	68V-13573-00	7 - 21	68V-1441L-00	7 - 31	6D8-24414-00	10 - 23	68V-42652-00	1 - 8
6D8-11417-30	3 - 5	6D8-12153-V0	5 - 9	68V-13574-00	7 - 20	68V-14428-00	8 - 19	68V-24423-00	10 - 19	67F-42662-00	1 - 14
6D8-11418-00	3 - 6	6D9-12171-00	5 - 10	68V-13577-00	9 - 19	68V-14440-00	6 - 16	68V-24444-00	10 - 24	68V-42677-10	1 - 25
6D8-11418-10	3 - 6	6D8-12181-00	5 - 11		9 - 31	68V-14446-00	8 - 22	68V-24452-00	10 - 31	68V-42678-10	1 - 26
6D8-11418-20	3 - 6	60V-12411-00	4 - 28	68V-13593-00	9 - 21	68V-14453-00	7 - 34	68V-24454-00	10 - 17	68V-42681-10	1 - 28
6D8-11536-00	5 - 22	67F-12412-00	4 - 29	67F-13631-03	24 - 20	68V-14475-00	7 - 23	68V-24460-01	9 - 37	68V-42682-10	1 - 29
67F-11537-00	5 - 13	68V-12413-00-9S	4 - 30	68V-13641-00-94	7 - 25		8 - 20	6D8-24469-00	10 - 7	68V-42710-01-8D	17 - 1
67F-11590-00	5 - 17	6G5-12416-00	2 - 28	68V-13645-00	6 - 5	68V-14496-00	7 - 19	68V-24502-20	9 - 34	648-42715-00	18 - 25
67F-11595-00	5 - 20	67F-12435-A0	2 - 32		28 - 13	68V-14511-00	7 - 13	68V-24519-00	8 - 16	61A-42716-00	17 - 43
6D8-11603-01	3 - 9		28 - 6	68V-13716-00	9 - 22	68V-14546-00	9 - 16	6D8-24519-00	10 - 8	67F-42717-00	17 - 25
6D8-11604-01	3 - 9	67F-1243A-00	2 - 40	68V-13751-01	7 - 2	68V-14565-00	8 - 10	6D8-24560-00	10 - 3	68V-42718-00	1 - 20
68V-11656-00	3 - 10	67F-1246A-01-9S	2 - 31	68V-13752-01	7 - 6	68V-14567-00	9 - 11	6D8-24562-00	10 - 6	67F-42724-00	23 - 29
68V-11656-10	3 - 10	67F-12535-01	17 - 31	68V-13766-00	8 - 4	68V-14592-00	9 - 13	6D8-24563-00	10 - 4	68V-42725-00	17 - 19
68V-11656-20	3 - 10	68T-12572-00	17 - 30	67F-13769-00	24 - 18	68V-14711-30-CA	23 - 9	6D8-24564-00	10 - 5	6H1-42726-21	17 - 22
68V-11656-30	3 - 10	6R3-12581-00	17 - 38	68V-13769-00	9 - 4	68V-14777-00	7 - 22	60C-24566-00	10 - 10	6G1-42727-00	23 - 4
6D8-12111-00	5 - 1	6R3-12582-00	17 - 39	68V-13781-10	9 - 7		8 - 18	68V-2481H-00	8 - 28	68V-42738-00-8D	17 - 17
6D8-12113-00	5 - 4	6R3-12583-00	17 - 40	68V-13784-00	9 - 9	68V-14807-11	9 - 18		9 - 35	67F-42741-01-8D	17 - 44
6D8-12116-00	5 - 3	68V-13105-00	7 - 8	68V-13906-01	8 - 9	68V-14960-00	7 - 9	67F-28100-01	10 - 32	6H4-42748-00	17 - 24
26H-12117-00	5 - 5	67F-13119-01	24 - 17	68V-13907-03	9 - 17	68V-14984-00	9 - 10	67F-2812A-00	14 - 24	68F-42753-00	17 - 50
4G0-12118-00	5 - 6	68V-1312A-00	7 - 10	67F-13914-00	24 - 19	68V-14985-00	9 - 5	6D8-41113-30-9S	2 - 16	67F-42756-01	17 - 20
6D8-12121-00	5 - 2	63P-13131-00	10 - 18	68V-13915-00	9 - 8	68V-15100-02-9S	2 - 2	67F-41114-A2	2 - 20	67F-42761-01	2 - 44
6D8-12153-00	5 - 9	67F-13149-00	24 - 21	68V-13971-00	8 - 14	67F-15142-00	2 - 13		28 - 8	6AH-42794-40	17 - 54

NUMERICAL INDEX

PART NO.	REF. NO.	PART NO.	REF. NO.	PART NO.	REF. NO.	PART NO.	REF. NO.	PART NO.	REF. NO.	PART NO.	REF. NO.
67F-42815-00-8D	17 - 5	6E5-43858-00	21 - 29	68V-44323-00	25 - 32	688-45384-02	25 - 73	67F-46241-00	5 - 16	67F-81846-00	16 - 26
67F-42816-00-8D	17 - 6	72X-43858-00	22 - 5		29 - 28	68V-45501-30	25 - 45	663-48344-00	18 - 3	67F-81850-00	16 - 2
68V-42818-01	17 - 9	64E-43859-00	22 - 13	6E5-44352-01	25 - 30	61A-45527-00	25 - 25		18 - 26	67F-81857-00	16 - 9
67F-42828-00-8D	17 - 7	64E-43860-01	22 - 20		29 - 27	6E5-45536-00	25 - 11	68V-48511-10	20 - 33	67F-81869-00	16 - 23
68V-43111-01-8D	19 - 1	6E5-43862-00	21 - 11	68V-44361-30	26 - 2	61A-45538-00	25 - 22	67F-81891-00	18 - 1	67F-81891-00	16 - 15
68V-43112-01-8D	19 - 9		21 - 15	6E5-44365-00	26 - 3	6L6-45538-00	25 - 6	6E5-61301-01	27 - 1	68V-81919-10	14 - 45
64E-43126-00	19 - 37	6G5-43863-00	22 - 10		26 - 20	68V-45551-00	25 - 46	6E5-61303-00	27 - 5	60V-81925-00	16 - 28
64E-43131-01	19 - 15	6E5-43864-00	21 - 21	6E5-44366-00	26 - 1	68W-45560-00	25 - 48	6E5-61311-11	27 - 3	68V-81941-01	16 - 22
64E-43139-10	20 - 1	6G5-43864-00	21 - 20	6BL-44391-00	1 - 32	6E5-45567-01	25 - 7	6E5-61313-00	27 - 2	68V-81942-03	14 - 23
64D-43144-00	17 - 14	64E-43865-00	22 - 16		17 - 23	6E5-45567-10	25 - 7	6E5-61315-00	27 - 4	68V-81948-02	14 - 15
66T-43144-00	19 - 27	6G5-43865-00	22 - 35	67F-44514-01	20 - 26	6E5-45567-20	25 - 7	68V-81145-00	7 - 32	68V-81949-00	14 - 9
6G5-43148-00	19 - 32	64E-43866-00	21 - 10	67F-44526-00	20 - 29	6E5-45567-30	25 - 7	68V-81145-01	7 - 14	68V-8194A-00	14 - 3
6G5-43181-02	19 - 29	64E-43867-00	21 - 9	6G5-44526-00	19 - 3	6E5-45567-40	25 - 7	68V-81146-01	7 - 12	68V-81950-00	14 - 1
6G5-43185-02	19 - 30	64E-43868-00	22 - 3	67F-44533-00	20 - 31	6E5-45567-50	25 - 7	68V-81147-00	7 - 18	68V-81953-00	14 - 4
64E-43311-20-8D	19 - 22	64E-43869-00	21 - 27	68F-44533-01	2 - 47	6E5-45567-60	25 - 7		8 - 8	68V-8195B-01	14 - 8
63P-43376-00	20 - 6	6H1-4386K-10	22 - 29	68V-44551-00-8D	20 - 14	68W-45570-10	25 - 63	68V-81315-00	15 - 23	68V-81960-10	13 - 14
68V-43800-04	21 - 1	6E5-43872-00	21 - 13	68W-44553-00-8D	20 - 24	6L6-45576-00	25 - 64	445-81328-20	12 - 7	6AH-81994-40	12 - 24
64E-43802-00	22 - 8	64E-43873-00	22 - 24	61A-44555-01-94	20 - 17	6L6-45577-00	25 - 70	67F-8132G-01	15 - 1	6AH-81995-40	12 - 23
64E-43805-00	22 - 37	6E5-43874-01	21 - 22	61A-44575-00	20 - 16	6L6-45577-10	25 - 70	6D8-81332-00	12 - 16	6AG-81996-00	12 - 25
64E-4380F-00	22 - 33	6AW-43875-00	22 - 25	6L6-44581-01	2 - 4	6L6-45577-20	25 - 70	67F-81337-01	12 - 18	68V-82105-00	14 - 46
64E-4380J-00	22 - 30	64E-43879-01	22 - 27	68V-45111-31-8D	23 - 18	6L6-45577-30	25 - 70	63D-81345-20	12 - 5	6G5-82119-00	14 - 7
64E-43810-02	21 - 6	64E-43879-11	22 - 26	67F-45113-00	23 - 26	6L6-45577-40	25 - 70	68V-81410-00	12 - 4	682-82119-01	14 - 11
64E-43811-02	21 - 7	64E-4387A-00	22 - 23		29 - 13	6L6-45577-50	25 - 70	68V-81450-00	12 - 1	6E5-82148-00	19 - 6
6E5-43814-02	21 - 14	68V-43880-03	22 - 28	663-45119-00	19 - 14	6L6-45577-60	25 - 70	68V-81460-00	12 - 2		19 - 10
64E-43816-00	22 - 17	64E-43883-00	21 - 12		19 - 25	6K1-45578-01	25 - 66	6D8-81518-00	14 - 25	68V-82149-30	19 - 26
64E-43817-00	21 - 5	64E-4388E-01	21 - 26	68V-45123-00	23 - 10	6K1-45578-10	25 - 66	68V-81528-00	15 - 4	67F-82151-00	14 - 27
64E-43817-11	22 - 19	64E-4388E-11	22 - 1		29 - 18	6K1-45578-20	25 - 66	68V-81673-00	12 - 8	67F-82151-10	14 - 28
6BC-43818-00	21 - 33	6AW-4388J-00	21 - 3	67F-45127-00	23 - 17	6K1-45578-30	25 - 66	68V-81800-01	16 - 1	67F-8215B-10	14 - 31
64E-4381G-00	21 - 28	64E-43891-00	22 - 31		29 - 19	6K1-45578-40	25 - 66	67F-81801-00	16 - 5	67F-8215B-20	14 - 32
64E-43820-02	21 - 16	64E-43892-00	22 - 34	67F-45151-00	23 - 23	6K1-45578-50	25 - 66	67F-81807-00	16 - 10	68V-82310-00	13 - 5
64E-43821-02	21 - 17	6E5-43896-00	22 - 9	6C5-45155-00	23 - 25	6K1-45578-60	25 - 66	67F-81808-00	16 - 8	68V-82310-10	13 - 6
64E-43822-00	21 - 18	64E-43897-00	21 - 25	67F-45181-00-CA	23 - 15	6E5-45587-01	25 - 39	67F-81809-00	16 - 19	68V-82317-00	13 - 2
64E-43825-03	21 - 2	64E-43898-00	21 - 8	688-45214-02	26 - 11	6E5-45587-10	25 - 39	67F-81810-00	16 - 3	6A0-82317-00	14 - 16
64E-43827-00	22 - 22	68V-44117-01-94	18 - 5	688-45215-02	26 - 12	6E5-45587-20	25 - 39	67F-81813-00	16 - 6	67F-82361-00	13 - 12
64E-43828-01	21 - 23	68V-44118-00-94	18 - 21	6G5-45251-02	19 - 2	6E5-45587-30	25 - 39	68F-81820-00	16 - 7	67F-82362-00	13 - 13
64E-43829-01	21 - 24	68V-44120-30	18 - 16	68W-45300-32-8D	25 - 1	6E5-45587-40	25 - 39	67F-81821-00	16 - 13	68V-82377-00	17 - 53
64E-4382G-00	21 - 30	68V-44121-00	18 - 14	6E5-45301-05-8D	25 - 2	6E5-45587-50	25 - 39	6K7-81826-11	16 - 24	68V-82380-00	7 - 17
68V-43830-01	22 - 4	68V-44122-01	18 - 11	6E5-45318-00	23 - 21	6E5-45587-60	25 - 39	67F-81828-00	16 - 25	68V-82388-00	13 - 10
64E-43831-00	22 - 2	67F-44135-00	18 - 35	6E5-45321-00	25 - 15	68W-45611-00	25 - 51	68V-8182L-00	7 - 16	68V-82504-00	15 - 22
6AW-43841-00	22 - 7	6E5-44150-02	25 - 19	6E5-45331-00-9S	25 - 36	68V-45631-01	25 - 59	67F-81830-00	16 - 17	6D8-8252H-01	15 - 28
64E-43843-00	22 - 6	61A-44311-01	25 - 26	6L6-45332-00-CA	25 - 61	6E5-45633-01	25 - 60	67F-81832-00	16 - 11	68V-82532-00	14 - 10
64E-43843-10	22 - 38	6E5-44312-00	26 - 4	688-45341-10	25 - 9	6E5-45634-01	25 - 53	67F-81836-00	16 - 12	6D8-82544-00	6 - 9
64E-4384J-00	21 - 19		26 - 21	6E5-45344-00	25 - 42	6E5-45641-03	25 - 52	67F-81839-00	16 - 21	63D-82563-10	15 - 24
64E-43850-00	22 - 15	6E5-44315-A0	25 - 33	6L6-45371-00	26 - 15	6L6-45930-01-98	26 - 27	67F-8183R-00	16 - 16	6D8-82581-01	14 - 39
66Y-43851-00	22 - 11		29 - 7	688-45375-00	26 - 10	6L6-45970-00-98	26 - 27	60V-8183T-00	16 - 18	68F-82582-00	16 - 29
68V-43855-00	22 - 14		29 - 29	663-45376-00	26 - 9	6L6-45972-00-98	26 - 27	68F-81840-00	16 - 4	6P2-82582-00	14 - 33
64E-43858-00	22 - 12	61A-44322-02	25 - 27	6E5-45378-00	25 - 12	63P-45987-00	26 - 22	67F-81841-00	16 - 14	6P2-82582-10	14 - 34
6AW-43858-00	22 - 18		29 - 24	688-45383-02	25 - 72	688-45997-01	26 - 23	67F-81842-00	16 - 20	6E5-82587-00	15 - 25

NUMERICAL INDEX

PART NO.	REF. NO.	PART NO.	REF. NO.	PART NO.	REF. NO.	PART NO.	REF. NO.	PART NO.	REF. NO.	PART NO.	REF. NO.
6E5-82588-00	17 - 26	90109-06M86	15 - 27	90185-05002	26 - 14	90386-90M90	18 - 18	90465-11M10	10 - 9	92995-06100	13 - 8
61A-82588-01	18 - 7		17 - 21	90185-09M01	27 - 11	90387-06119	13 - 3		10 - 26		13 - 16
68V-82588-11	15 - 8		17 - 37	90185-10051	20 - 35		14 - 17		10 - 30		13 - 19
68V-82590-50	14 - 26		18 - 2	90185-12M12	20 - 32	90387-06263	24 - 10		17 - 42		14 - 36
68V-82594-00	14 - 19	90109-12007	20 - 28	90185-22M11	19 - 20	90387-06M21	18 - 32		19 - 21		15 - 12
60V-8259F-00	18 - 6	90109-14007	20 - 21	90201-06068	17 - 12		18 - 36		20 - 5		17 - 35
68V-8259N-00	7 - 33	90116-10175	20 - 34	90201-06M31	18 - 42	90387-06M43	17 - 49		26 - 19		18 - 38
6E5-83558-00	26 - 18	90119-06M10	25 - 18	90201-09M02	18 - 19	90387-06M71	12 - 19	90465-11M52	14 - 42		19 - 5
6E5-83558-10	25 - 14	90119-06M49	6 - 15	90201-10060	21 - 31	90387-08M32	6 - 3	90465-12M03	6 - 11	92995-06200	17 - 36
67F-83614-00	15 - 26	90119-06M59	13 - 4	90201-10M02	18 - 30	90387-08M37	17 - 4	90465-13M18	14 - 38	92995-06600	1 - 7
68V-83626-00	4 - 35		14 - 18		18 - 40	90387-10M05	19 - 34		14 - 43		1 - 10
67F-83627-01	16 - 32	90119-06M82	6 - 18	90201-10M76	27 - 8	90387-10M08	4 - 15		14 - 44		2 - 11
67H-83672-01	20 - 3	90119-06M83	10 - 28	90201-12M05	19 - 42	90401-20007	2 - 49		15 - 7		2 - 46
72X-85075-L0	22 - 21	90119-06M92	12 - 21	90201-12M09	20 - 30	90430-06014	8 - 25	90467-20M15	2 - 42		4 - 25
689-85547-00	10 - 1	90119-06MA2	2 - 33	90201-13M01	19 - 41		28 - 17		6 - 8		4 - 32
68V-85548-00	14 - 21	90119-06MA4	2 - 21	90201-15M58	20 - 20	90430-06M03	2 - 38	90468-18008	18 - 4		6 - 13
68V-85580-00	12 - 3	90119-06ME1	6 - 19	90201-16M55	20 - 19		4 - 12		18 - 13		10 - 13
68V-85753-00	15 - 16	90119-07234	4 - 7	90201-22M01	25 - 23	90430-08020	25 - 10		18 - 27		12 - 12
	28 - 7	90119-07235	4 - 5	90201-24014	12 - 14		29 - 2	90480-12314	2 - 12		13 - 9
67F-85757-00	15 - 15	90119-08091	20 - 27	90201-26M00	25 - 50	90430-14115	2 - 8		4 - 22		13 - 17
67F-85790-00	15 - 14	90119-08M14	25 - 35	90201-26M59	19 - 19		28 - 5	90480-13M24	17 - 48		13 - 20
68V-85885-00	7 - 15		29 - 31	90201-38M60	20 - 10	90430-14M09	24 - 4	90480-15M31	12 - 20		14 - 37
65L-85886-00	6 - 20	90119-08M22	17 - 2	90202-07M07	18 - 12		29 - 20	90480-20M05	2 - 30		14 - 41
68V-8591A-43	13 - 1	90119-08M58	23 - 28	90202-32M19	20 - 18	90430-18130	2 - 19	90480-22M15	17 - 3		15 - 3
68V-8A360-00	8 - 2	90119-08M66	2 - 6	90202-40M47	20 - 13		28 - 11	90501-11M10	25 - 21		15 - 6
K1C-A3275-00	3 - 8	90119-08M68	6 - 2	90206-10M04	18 - 31	90445-076K2	26 - 17	90501-12082	18 - 24		15 - 10
K0A-A3721-00	5 - 7	90119-08M91	4 - 17		18 - 41	90445-07ME9	25 - 13	90501-16M11	2 - 29		15 - 13
K0A-A3722-00	5 - 8	90119-10049	20 - 25	90206-15M18	17 - 11	90445-10M18	1 - 33	90501-16M37	25 - 54		15 - 18
68V-W0001-05	28 - 1	90119-10050	5 - 14	90206-22M19	25 - 24	90445-13015	10 - 2	90506-14M24	19 - 36		15 - 21
68V-W0001-21	29 - 1	90119-10M08	23 - 19	90249-06M19	19 - 33	90445-15M03	5 - 19	90506-16M34	17 - 16		15 - 30
68V-W0070-10	1 - 27	90119-10M72	5 - 21	90250-08M07	25 - 58	90447-07007	14 - 30	90506-16M39	5 - 18		18 - 10
68V-W0078-00	29 - 23	90119-10M88	2 - 5	90280-04008	5 - 24	90447-10003	14 - 29	91490-20015	18 - 20		18 - 39
68V-W009A-06-9S	4 - 1	90119-10M89	26 - 8	90280-04M05	25 - 31	90462-06018	17 - 33	91490-40030	26 - 26		19 - 8
68V-W009B-10-9S	2 - 1	90152-05M07	26 - 13		29 - 32	90464-06001	13 - 11	91690-30020	19 - 35		19 - 12
68V-W1164-02	3 - 7	90155-10005	4 - 16	90280-04M08	12 - 13	90464-10010	2 - 25	91690-50014	6 - 4		23 - 8
68V-W1164-12	3 - 7	90159-05059	20 - 2	90282-04010	25 - 71	90464-12M58	14 - 20	91809-08006	4 - 6		23 - 12
90101-09M70	27 - 9	90159-06M28	17 - 46	90340-08002	25 - 8	90464-16001	2 - 50	92903-06100	14 - 48		24 - 25
90101-12M05	19 - 40	90159-06M29	4 - 27	90340-14M06	2 - 7	90464-18004	2 - 24	92903-06600	14 - 14	92995-08100	19 - 17
90101-12M77	19 - 40	90167-06002	17 - 32		24 - 3		17 - 52		14 - 49	92995-08600	6 - 23
90105-06M07	2 - 37	90170-09M05	27 - 10	90340-18M09	2 - 18	90464-20258	17 - 51	92903-08100	16 - 34		25 - 44
	4 - 11	90170-14M06	27 - 6	90344-51019	4 - 4	90465-06M86	15 - 19	92903-08600	16 - 31	92995-10100	26 - 7
90105-10M00	26 - 16	90170-16M01	25 - 47	90386-06M12	18 - 15	90465-08M23	17 - 28	92907-04600	4 - 21	92995-10600	20 - 8
90109-06M80	17 - 15	90170-40008	5 - 23	90386-10M16	19 - 31	90465-08M63	1 - 34	92990-05200	1 - 23	92995-14600	20 - 23
	17 - 29	90171-18M04	26 - 25	90386-15M73	17 - 10		19 - 23		1 - 36	93101-28M16	25 - 37
	17 - 47	90179-06M28	1 - 18	90386-22M98	19 - 38	90465-11M10	2 - 23	92990-06100	1 - 3		29 - 8
90109-06M81	17 - 27		18 - 33		21 - 34		2 - 41		1 - 12	93101-30M17	25 - 68
90109-06M82	17 - 8	90179-08003	16 - 27	90386-25M31	19 - 18		6 - 7	92990-18200	26 - 24		29 - 10
	17 - 18	90179-24002	12 - 15	90386-38M32	20 - 12		8 - 29	92995-06100	12 - 11	93101-48002	3 - 3

NUMERICAL INDEX

PART NO.	REF. NO.	PART NO.	REF. NO.	PART NO.	REF. NO.	PART NO.	REF. NO.	PART NO.	REF. NO.	PART NO.	REF. NO.
93101-48002	28 - 10	93507-32009	25 - 55	97095-06016	14 - 35						
93102-08M43	22 - 36	93511-32017	25 - 56		15 - 2						
93102-38008	5 - 15	93604-12M07	24 - 26		15 - 5						
	28 - 4	93605-10108	5 - 12		15 - 11						
93102-48009	3 - 2	93606-12019	2 - 3		15 - 17						
	28 - 9		24 - 6		17 - 13						
93106-09014	25 - 17		25 - 34	97095-06020	2 - 10						
	29 - 4		29 - 30	97095-06025	2 - 45						
93210-09165	18 - 17	93606-19M23	23 - 13		4 - 31						
	29 - 17	93608-12M05	26 - 5		13 - 7						
93210-10M74	21 - 4	93608-16M16	23 - 3		13 - 15						
93210-19MJ1	24 - 27		23 - 20	97095-06030	4 - 24						
	29 - 12	93700-06M03	19 - 13		12 - 10						
93210-24M79	4 - 34		19 - 24		19 - 4						
	28 - 2	94702-00400	4 - 36	97095-06035	18 - 37						
93210-30682	10 - 27	95333-08600	16 - 33	97095-06040	18 - 9						
	28 - 15	95380-05700	7 - 30	97095-06045	24 - 24						
93210-37160	25 - 29	95380-06600	1 - 4	97095-08020	6 - 22						
	29 - 6		1 - 13		19 - 16						
	29 - 26		1 - 16	97095-08025	25 - 43						
93210-37MH7	20 - 11		17 - 45	97575-06525	18 - 22						
93210-48MG8	7 - 27	95380-08600	10 - 11		24 - 5						
	28 - 14	95380-12600	19 - 43	97575-08540	2 - 39						
93210-48MJ9	6 - 17	95380-14600	20 - 22		4 - 13						
	28 - 18	95380-14700	27 - 7		6 - 1						
93210-55M14	25 - 41	95780-10300	20 - 7		23 - 2						
	29 - 9	95812-06025	24 - 9	97575-10530	21 - 32						
93210-58144	25 - 16	95895-06010	23 - 27	97595-06610	14 - 6						
	29 - 3	95895-06025	6 - 10		14 - 12						
93210-86M38	25 - 28	97013-06020	14 - 13	97607-04110	12 - 6						
	29 - 5		14 - 47	97607-04310	22 - 32						
	29 - 25	97013-08045	16 - 30	97780-50620	1 - 35						
93210-86M39	25 - 69	97075-06030	23 - 11	97780-50625	1 - 24						
	29 - 11	97075-06070	23 - 7	97780-60620	14 - 5						
93315-345W0	25 - 4	97075-10045	26 - 6		14 - 22						
93315-425U7	25 - 49	97095-06008	17 - 34	97780-60625	14 - 2						
93315-43061	25 - 67	97095-06010	8 - 24	97885-06012	19 - 11						
93315-628U9	25 - 3		19 - 7	97885-06016	20 - 4						
93317-330U2	25 - 38		19 - 28	97980-06216	23 - 24						
93332-000V7	25 - 62	97095-06012	1 - 6	97985-04116	18 - 8						
93341-360U8	25 - 5		1 - 9	97985-06210	12 - 17						
93341-440U5	25 - 65		6 - 12	98507-04008	4 - 20						
93341-930V2	25 - 40		15 - 9	98780-04016	2 - 15						
93410-22M11	19 - 39		15 - 20	99001-08600	25 - 20						
93410-37M04	20 - 15		15 - 29	99530-08012	12 - 9						
93420-36M01	23 - 22	97095-06014	14 - 40	99530-10114	7 - 26						
93501-04M02	18 - 23	97095-06016	10 - 12								
93503-16003	25 - 57		13 - 18								