

PARTS CATALOGUE

T25TRD (68U4)
FT25BET'05 (68U4)

FOREWORD

This Parts Catalogue is related to the parts for the model(s) on the cover page. When you are ordering replacement parts, please refer to this Parts Catalogue and quote both part numbers and part names correctly.

1. Modifications or additions which have been made after the issue of the Parts Catalogue will be announced in the Parts News.
It is advisable that you make the necessary corrections to the Parts Catalogue according to the Parts News.

2. Abbreviations

The following abbreviations are used in this Parts Catalogue.

“UR” Use specified parts number.

“UN” Use as many as needed.

“AP” Alternate Parts

“LM” Locally Made (Parts need to be ordered locally)

“F#” Frame No. (Applicable machine No.)

“O/S” Over Size

3. The number of components for assembly

- Parts, which are to be supplied in an assembly, are listed with a dot (.) in front of the part name as shown below.
- The numeral appearing to the right of each component part indicates the quantity of parts for each assembly unit.

PART NO.	DESCRIPTION	Q'TY	REMARKS
2F5-83310-60	FRONT FLASHER LIGHT ASSY	2	
115-83311-60	.BULB (6V-18W)	1	

4. Applicable colours of graphics are represented in the “REMARKS” as shown below.

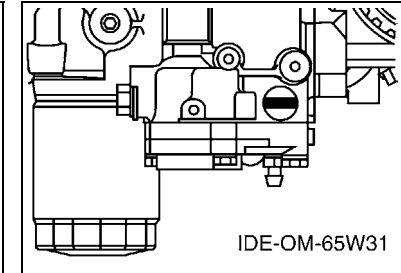
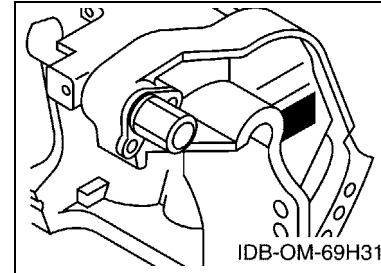
PART NO.	DESCRIPTION	Q'TY	REMARKS
2N4-24110-00-X5	FUEL TANK COMP.	2	MXR
3J1-24240-10	.GRAPHIC, FUEL TANK	1	FOR MXR

5. Note that the illustrations for reference in finding parts numbers are not to be used for assembling. When assembling, please use the applicable service manual.

6. The asterisk (*) before a reference number indicates modified items after the first edition.

7. Applicable Serial No.

Engine Serial No.



8. Applicable Engine Starting Serial No.

Model	Serial No.	Model	Serial No.
T25	65W-1017422	FT25B	65W-1017422

9. Applicable Colour Code

Abbreviation	Colour Name	Colour Code
DBNM2	DARK BLUISH GRAY METALLIC 2	004D

10. Quantity Column Information

Column No.	Name Of Q'ty Column	Applicable Model
1	USA	USA (T25TRD)
2	CAN	CANADA (T25TRD)
3	OCE	OCEANIA (FT25BET)

CONTENTS

SHEET1/2

TOP COWLING	A4
CYLINDER & CRANKCASE 1	A5
CRANKSHAFT & PISTON	A7
CYLINDER & CRANKCASE 2	B1
VALVE	B2
INTAKE	B3
CARBURETOR	B4
OIL PUMP	B6
FUEL 1	B7
FUEL 2	C2
GENERATOR	C3
ELECTRICAL 1	C5
ELECTRICAL 2	C7
STARTING MOTOR	D2
BOTTOM COWLING	D3
CONTROL	D5
BRACKET 1	D7
BRACKET 2	E2
POWER TRIM & TILT ASSY	E4
UPPER CASING	E7
OIL PAN	F2
LOWER CASING & DRIVE 1	F3
LOWER CASING & DRIVE 2	F7

INDEX

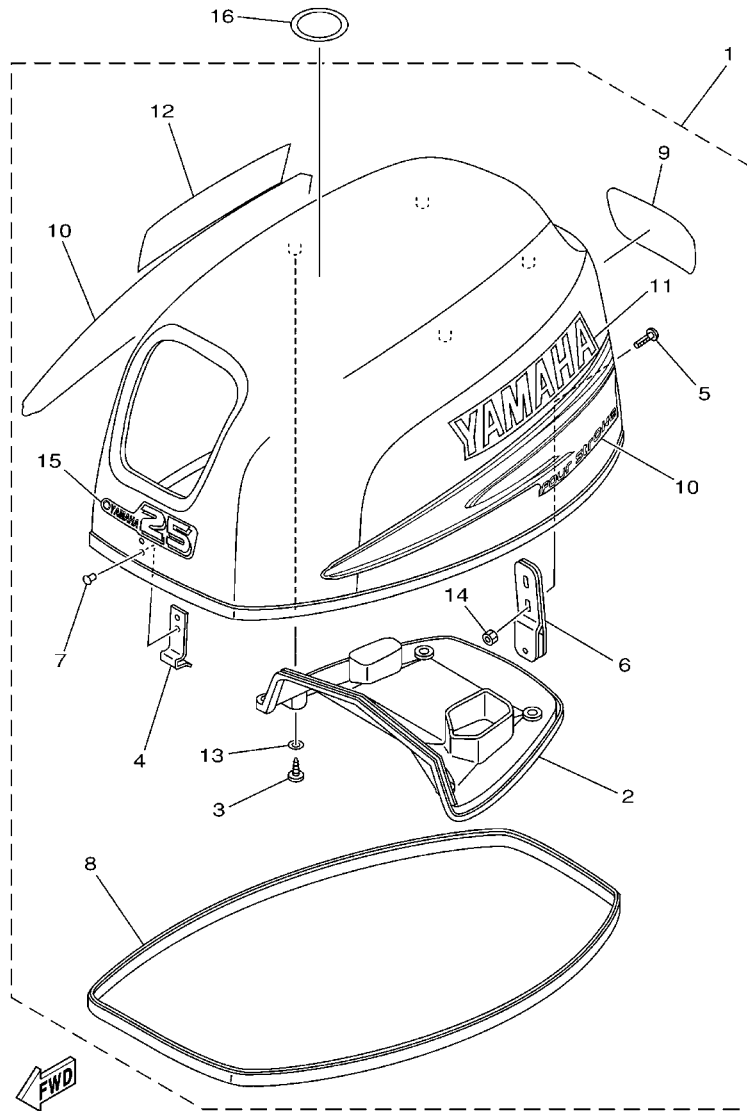
NUMERICAL INDEX	G1
-----------------------	----

SHEET2/2

FUEL TANK	A4*
STEERING GUIDE	A5*
REMOTE CONTROL BOX	A6*
REMOTE CONTROL ASSY	A7*
REPAIR KIT 1	B3*
REPAIR KIT 2	B4*
REPAIR KIT 3	B5*

INDEX

NUMERICAL INDEX	G1*
-----------------------	-----



68U1010-2010

FIG. 1 TOP COWLING

REF. NO.	PART NO.	DESCRIPTION	USA	CAN	OCE	REMARKS
1	68U-42610-12-4D	TOP COWLING ASSY	1	1	1	
2	65W-42613-00	.MOLDING, AIR DUCT	1	1	1	
3	97780-60520	.SCREW, TAPPING	4	4	4	
4	65W-42651-01	.HOOK	1	1	1	
5	90109-06MA4	.BOLT	2	2	2	
6	65W-42652-01	.HOOK	1	1	1	
7	90266-06M02	.RIVET	2	2	2	
8	6D5-42615-00	.SEAL	1	1	1	
9	68U-42678-10	.GRAPHIC, REAR	1	1	1	
10	65W-W0070-20	.GRAPHIC SET	1	1	1	
11	65W-42681-20	.MARK, COWLING	1	1	1	
12	65W-42682-20	.MARK, COWLING	1	1	1	
13	90202-05M38	.WASHER, PLATE	4	4	4	
14	95680-06100	.NUT, U	2	2	2	
15	65W-42677-00	.GRAPHIC, FRONT	1	1	1	
16	67F-13434-02	LABEL, CAUTION	1	1	1	

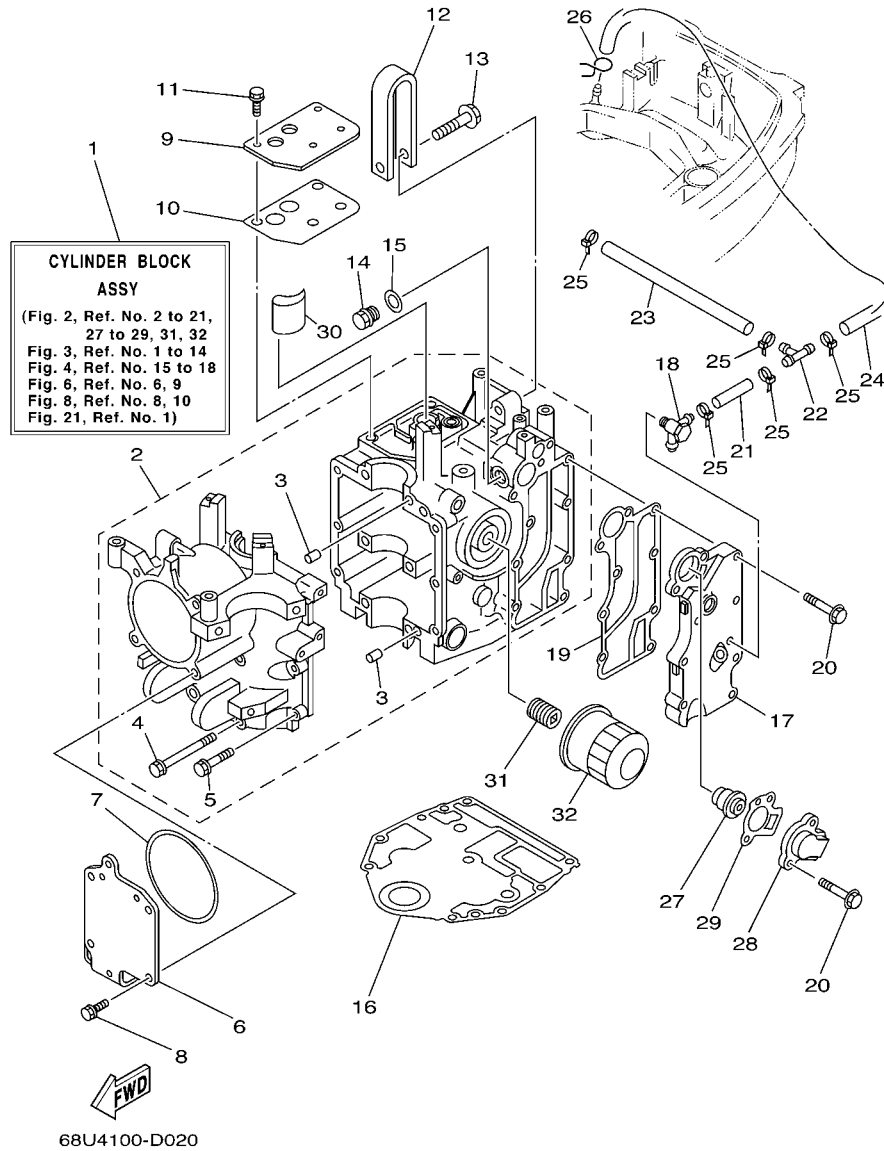
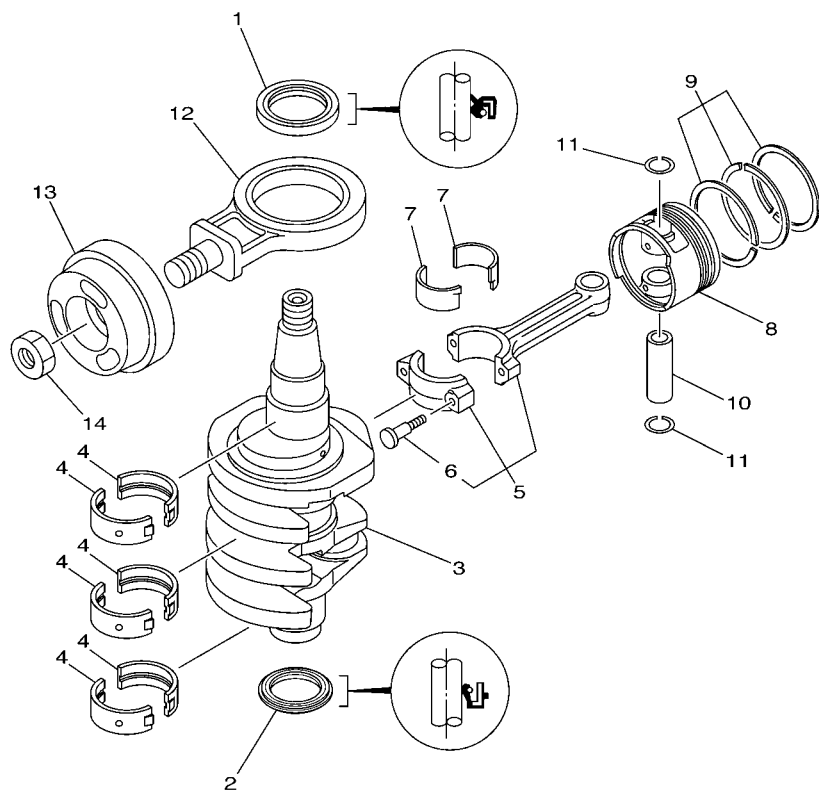


FIG. 2 CYLINDER & CRANKCASE 1

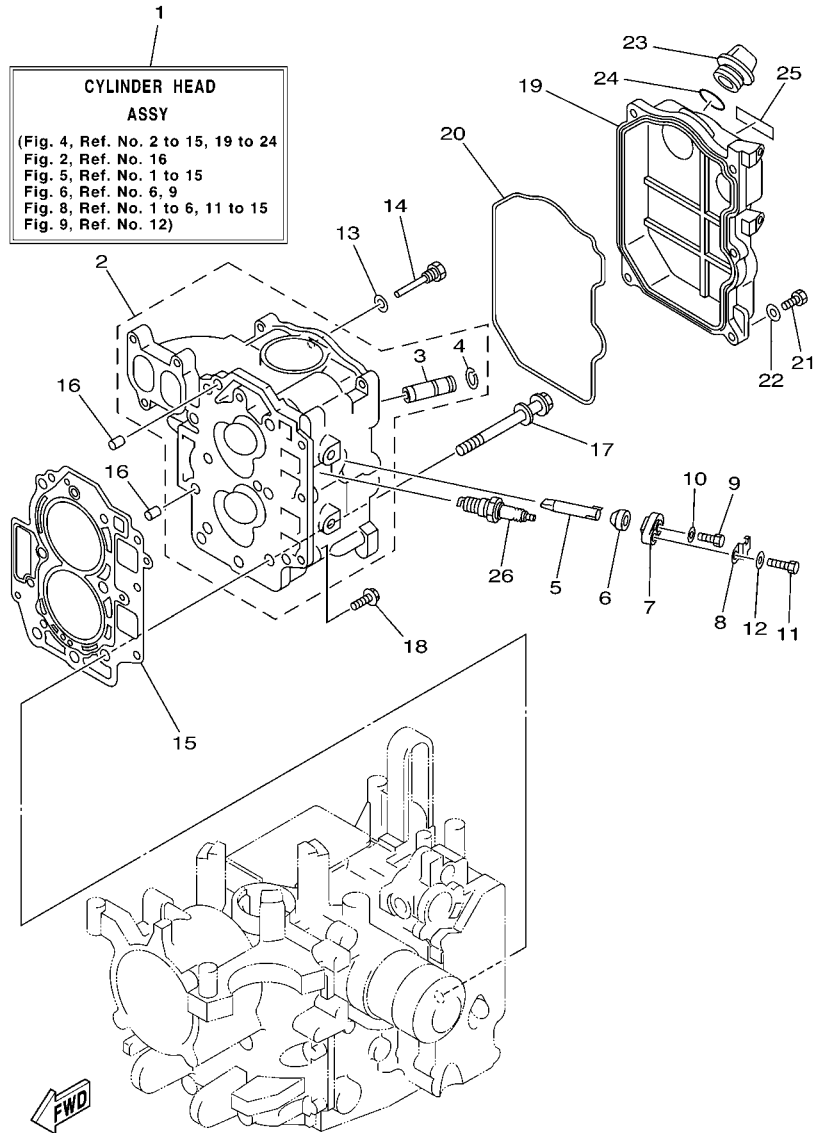
REF. NO.	PART NO.	DESCRIPTION	USA	CAN	OCE	REMARKS
1	65W-W009B-12-1S	CYLINDER BLOCK ASSY	1	1	1	
2	65W-15100-11-1S	CRANKCASE ASSY	1	1	1	
3	99530-08012	.PIN, DOWEL	2	2	2	
4	90119-08M01	.BOLT, WITH WASHER	6	6	6	
5	90119-06MA5	.BOLT, WITH WASHER	6	6	6	
6	65W-15121-01	CRANKCASE 2	1	1	1	
7	65W-15663-00	SEAL	1	1	1	
8	65W-12228-00	BOLT	4	4	4	
9	65W-11168-01	COVER, BREATHER	1	1	1	
10	65W-11169-01	GASKET, BREATHER COVER	1	1	1	
11	65W-12228-00	BOLT	4	4	4	
12	65W-11119-00	HANGER, ENGINE	1	1	1	
13	90105-08M87	BOLT, FLANGE	1	1	1	
14	90340-14M06	PLUG, STRAIGHT SCREW	1	1	1	
15	90430-14115	GASKET	1	1	1	
16	65W-11351-10	GASKET, CYLINDER	1	1	1	
17	65W-41113-10-1S	OUTER COVER, EXHAUST	1	1	1	
18	62Y-11372-01	NIPPLE, HOSE	1	1	1	FLUSHING KIT
19	65W-41114-00	GASKET, EXHAUST OUTER COVER	1	1	1	
20	90119-06MA5	BOLT, WITH WASHER	9	9	9	
21	90445-09068	HOSE (L110)	1	1	1	
22	688-24378-00	PIPE, JOINT 4	1	1	1	
23	90445-09095	HOSE (L215)	1	1	1	
24	90445-09104	HOSE (L300)	1	1	1	
25	90465-11M10	CLAMP	5	5	5	
26	90467-08004	CLIP	1	1	1	
27	6G8-12411-03	THERMOSTAT	1	1	1	

FIG. 3 CRANKSHAFT & PISTON



6D51200-C030

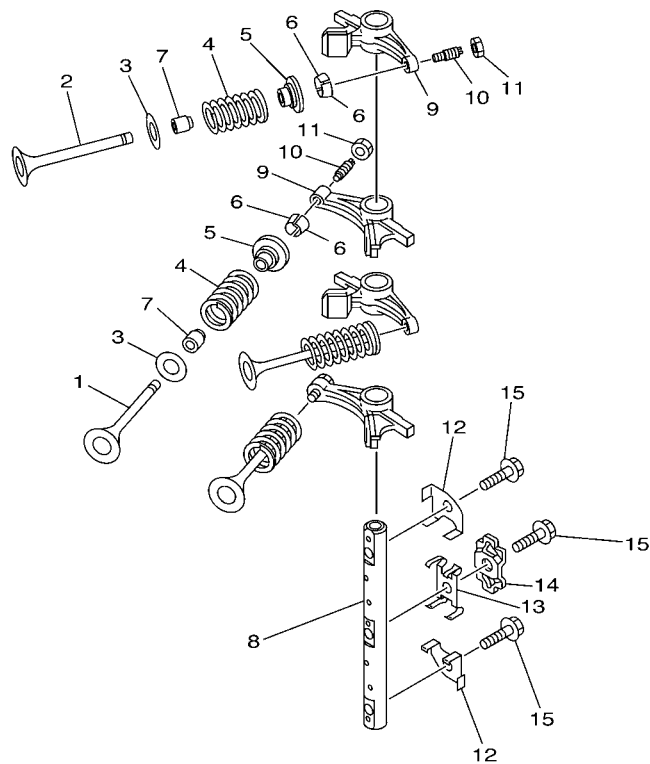
REF. NO.	PART NO.	DESCRIPTION	USA	CAN	OCE	REMARKS
1	93102-43004	OIL SEAL	1	1	1	
2	93101-35002	OIL SEAL	1	1	1	
3	65W-11411-01	CRANKSHAFT	1	1	1	
4	62Y-11416-00	PLANE BEARING, CRANKSHAFT 1	6	6	6	UR BROWN
	62Y-11416-10	PLANE BEARING, CRANKSHAFT 1	6	6	6	UR BLACK
	62Y-11416-20	PLANE BEARING, CRANKSHAFT 1	6	6	6	UR BLUE
5	62Y-11650-20	CONNECTING ROD ASSY	2	2	2	
6	62Y-11654-00	.BOLT, CONNECTING ROD	2	2	2	
7	62Y-11656-00	PLANE BEARING, CONNECTING ROD	4	4	4	UR BROWN
	62Y-11656-10	PLANE BEARING, CONNECTING ROD	4	4	4	UR BLACK
	62Y-11656-20	PLANE BEARING, CONNECTING ROD	4	4	4	UR BLUE
8	65W-11631-00-96	PISTON (STD)	2	2	2	
	65W-11635-00	PISTON (0.25MM O/S)	2	2	2	AP
	65W-11636-00	PISTON (0.50MM O/S)	2	2	2	AP
9	68U-11603-00	PISTON RING SET (STD)	2	2	2	
	68U-11604-00	PISTON RING SET (0.25MM O/S)	2	2	2	AP
	68U-11605-00	PISTON RING SET (0.50MM O/S)	2	2	2	AP
10	62Y-11633-00	PIN, PISTON	2	2	2	
11	93450-17129	CIRCLIP	4	4	4	
12	65W-11665-00	CON-ROD ASSY, BALANCE	1	1	1	
13	65W-11642-11	PISTON, BALANCE	1	1	1	
14	90170-20137	NUT	1	1	1	



65W3100-C040

FIG. 4 CYLINDER & CRANKCASE 2

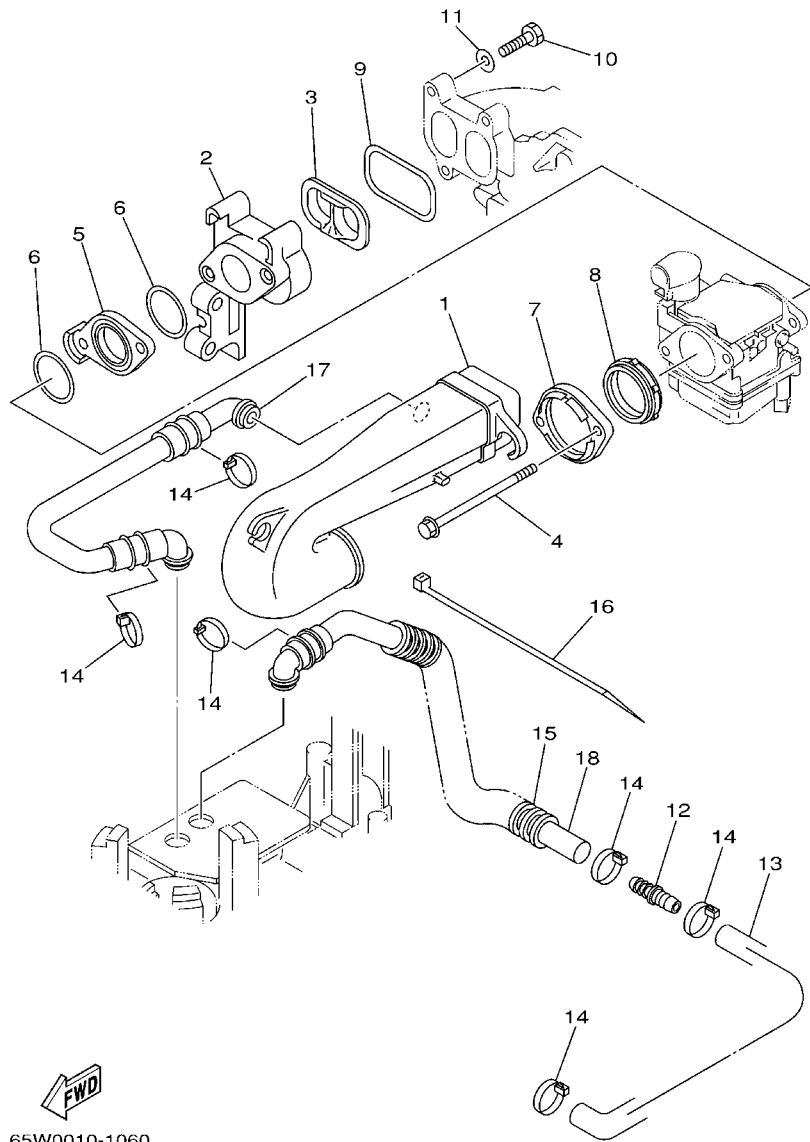
REF. NO.	PART NO.	DESCRIPTION	USA	CAN	OCE	REMARKS
1	65W-W009A-15-1S	CYLINDER HEAD ASSY	1	1	1	
2	65W-11111-20-1S	HEAD, CYLINDER 1	1	1	1	
3	62Y-11133-30	.GUIDE, VALVE 1	4	4	4	
4	93450-09M01	.CIRCLIP	4	4	4	
5	62Y-11325-00	ANODE	2	2	2	
6	66M-11328-00	GROMMET, ANODE	2	2	2	
7	66M-11327-00-94	COVER, ANODE	2	2	2	
8	66M-12535-00	PLATE	2	2	2	
9	97095-05012	BOLT	2	2	2	
10	92995-05600	WASHER	2	2	2	
11	97095-06020	BOLT	2	2	2	
12	92995-06600	WASHER	2	2	2	
13	90430-06014	GASKET	1	1	1	
14	90109-06M65	BOLT	1	1	1	
15	65W-11181-30	GASKET, CYLINDER HEAD 1	1	1	1	
16	99530-08012	PIN, DOWEL	2	2	2	
17	90119-09M00	BOLT, WITH WASHER	6	6	6	
18	90119-06MA3	BOLT, WITH WASHER	3	3	3	
19	65W-11191-00-1S	COVER, CYLINDER HEAD 1	1	1	1	
20	65W-11356-00	SEAL, CYLINDER 2	1	1	1	
21	97095-06020	BOLT	5	5	5	
22	92995-06600	WASHER	5	5	5	
23	6G8-15363-00	PLUG, OIL	1	1	1	
24	93210-24M79	O-RING	1	1	1	
25	62Y-12138-40	MARK, CAUTION	1		1	
	62Y-12138-50	MARK, CAUTION		1		
26	94701-00375	PLUG, SPARK (NGK DPR6EA-9)	2	2	2	



65W1010-2050

FIG. 5 VALVE

REF. NO.	PART NO.	DESCRIPTION	USA	CAN	OCE	REMARKS
1	67C-12111-00	VALVE, INTAKE	2	2	2	
2	62Y-12121-00	VALVE, EXHAUST	2	2	2	
3	62Y-12116-00	SEAT, VALVE SPRING	4	4	4	
4	51Y-12114-00	SPRING, VALVE OUTER	4	4	4	
5	30X-12117-00	RETAINER, VALVE SPRING	4	4	4	
6	30X-12118-00	COTTER, VALVE	8	8	8	
7	51Y-12119-00	SEAL, VALVE STEM	4	4	4	
8	65W-12146-00	SHAFT, ROCKER	1	1	1	
9	65W-12151-00	ARM, VALVE ROCKER	4	4	4	
10	62Y-12159-00	SCREW, VALVE ADJUSTING	4	4	4	
11	62Y-12158-00	NUT, LOCK	4	4	4	
12	62Y-12238-00	PLATE, BOLT STOPPER	2	2	2	
13	62Y-12216-00	SPRING	1	1	1	
14	62Y-12231-00	GUIDE, STOPPER 1	1	1	1	
15	90109-08M63	BOLT	3	3	3	

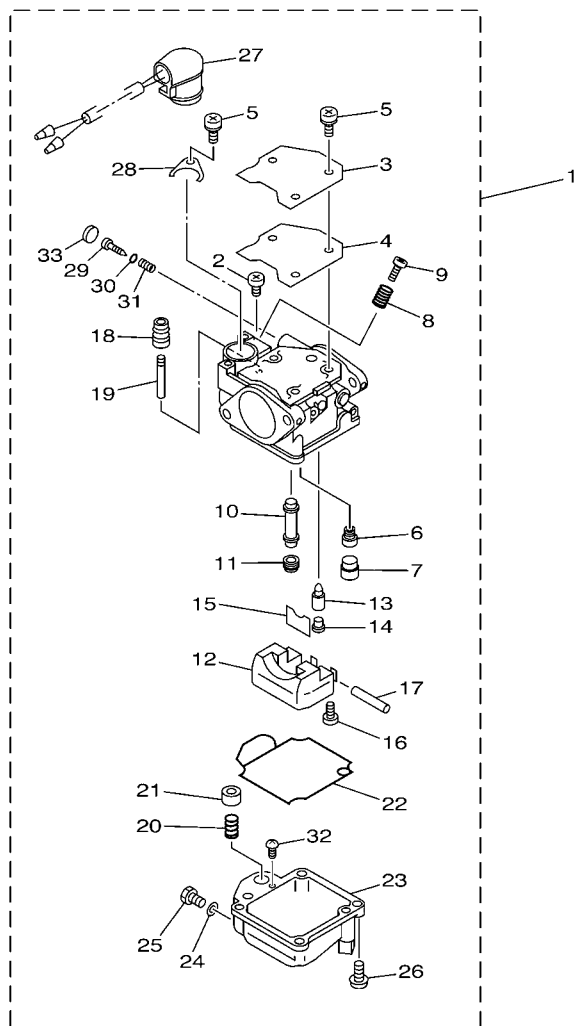


FWD
65W0010-1060

FIG. 6 INTAKE

REF. NO.	PART NO.	DESCRIPTION	USA	CAN	OCE	REMARKS
1	65W-14440-00	SILENCER ASSY, INTAKE	1	1	1	
2	65W-13640-00	MANIFOLD	1	1	1	
3	65W-13323-00	INSERT	1	1	1	
4	65W-14496-00	BOLT	2	2	2	
5	65W-14271-00	INSULATOR	1	1	1	
6	65W-14198-00	GASKET	2	2	2	
7	65W-14262-00	FLANGE	1	1	1	
8	65W-14457-10	SEAL	1	1	1	
9	65W-13645-00	GASKET, MANIFOLD 1	1	1	1	
10	97095-06025	BOLT	3	3	3	
11	92995-06600	WASHER	3	3	3	
12	65W-24377-00	PIPE, JOINT 3	1	1	1	
13	65W-15397-10	HOSE	1	1	1	
14	90465-13M36	CLAMP	6	6	6	
15	90446-24M54	HOSE (L260)	1	1	1	
16	90465-11M52	CLAMP	1	1	1	
17	65W-15370-00	BREATHER ASSY	1	1	1	
18	65W-15370-10	BREATHER ASSY	1	1	1	

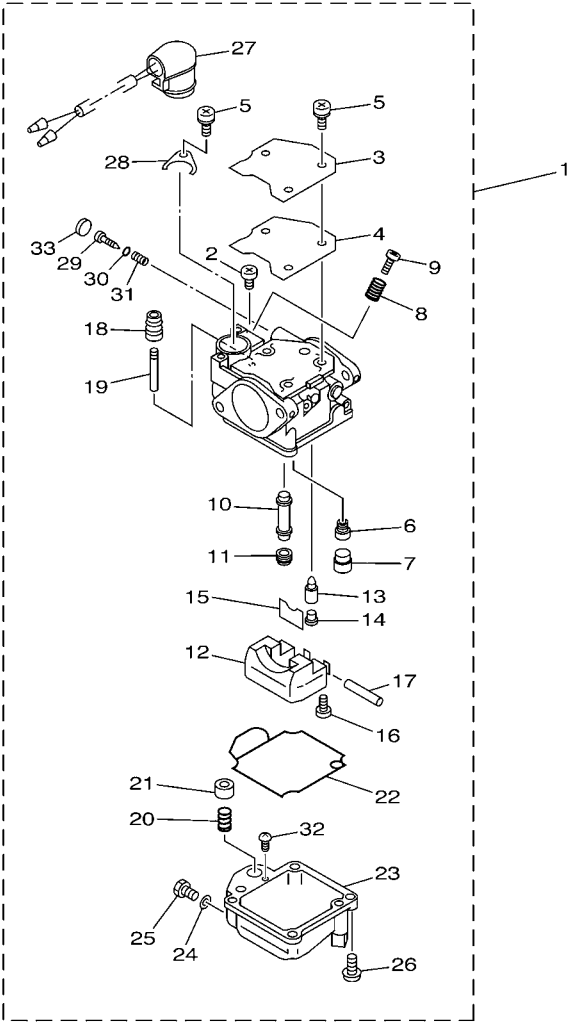
FIG. 7 CARBURETOR



FWD
68U3100-C070

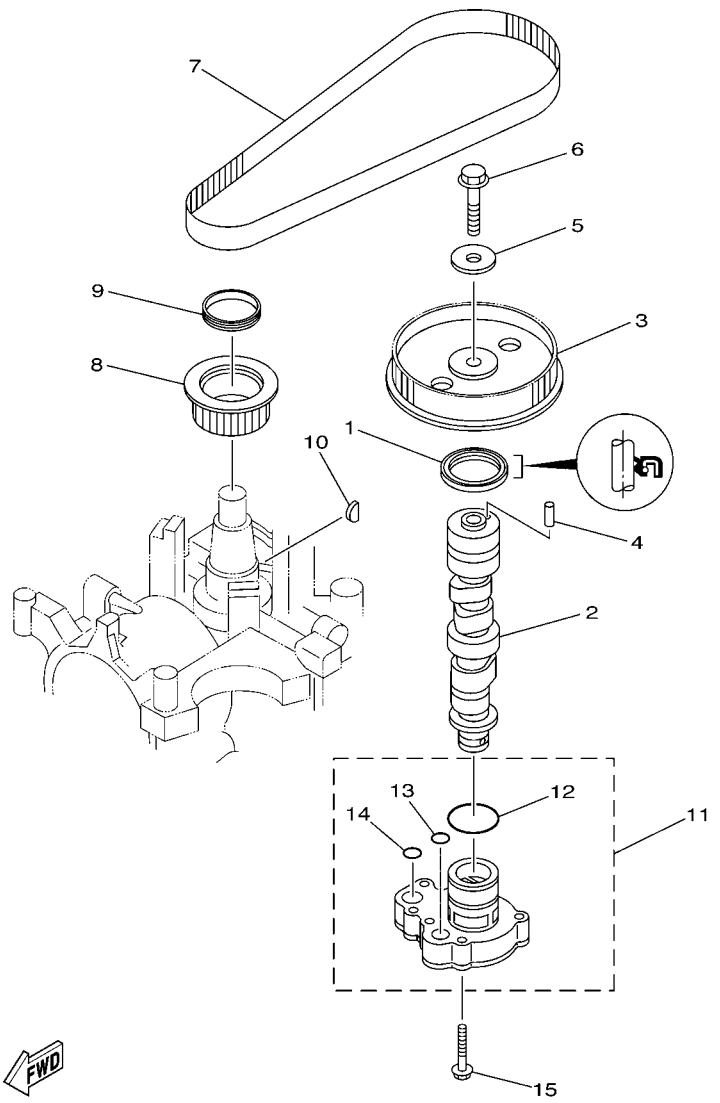
REF. NO.	PART NO.	DESCRIPTION	USA	CAN	OCE	REMARKS
1	65W-14901-50	CARBURETOR ASSY 1	1	1		
	65W-14901-01	CARBURETOR ASSY 1			1	
2	98580-04006	.SCREW, PAN HEAD	1	1	1	
3	65W-14572-00	.PLATE	1	1	1	
4	65W-14126-00	.GASKET	1	1	1	
5	97803-04010	.SCREW, PAN HEAD	4	4	4	
6	676-14948-07	.JET (#50)	1	1	1	
7	679-14966-00	.RUBBER CAP	1	1	1	
8	90501-10326	.SPRING, COMPRESSION	1	1	1	
9	63V-14523-00	.SCREW, STOP	1	1	1	
10	65W-14947-00	.JET, NEEDLE	1	1	1	
11	65W-14943-29	.JET, MAIN (#112)	1	1	1	
12	63V-14985-00	.FLOAT	1	1	1	
13	6G1-14546-01	.VALVE, NEEDLE	1	1	1	
14	676-14186-00	.PIN, FLOAT	1	1	1	
15	663-14159-00	.CLIP	1	1	1	
16	98580-04008	.SCREW, PAN HEAD	1	1	1	
17	6H4-14548-00	.PIN, FLOAT ARM	1	1	1	
18	65W-14373-00	.COVER, PLUNGER CAP	1	1	1	
19	65W-14379-00	.ROD, STARTER	1	1	1	
20	65W-14335-00	.SPRING, PLUNGER	1	1	1	
21	65W-14371-00	.PLUNGER, STARTER	1	1	1	
22	65W-14384-00	.GASKET, FLOAT CHAMBER	1	1	1	
23	65W-14980-00	.BODY, FLOAT CHAMBER	1	1	1	
24	65W-14398-00	.GASKET	1	1	1	
25	65W-14992-00	.SCREW, DRAIN	1	1	1	
26	97980-04114	.SCREW, WITH WASHER	4	4	4	

FIG. 7 CARBURETOR



68U3100-C070

REF. NO.	PART NO.	DESCRIPTION	USA	CAN	OCE	REMARKS
27	65W-14380-00	.PRIME STARTER ASSY	1	1	1	
28	65W-14346-00	.PLATE	1	1	1	
29	67C-14923-00	.SCREW, PILOT	1	1	1	
30	67C-14397-00	.O-RING	1	1	1	
31	67C-14555-00	.SPRING	1	1	1	
32	67C-14567-00	.SCREW	1	1	1	
33	67C-1432A-00	.PLUG	1	1		FOR 65W-14901-50



65W1010-2080

FIG. 8 OIL PUMP

REF. NO.	PART NO.	DESCRIPTION	USA	CAN	OCE	REMARKS
1	93102-37M40	OIL SEAL	1	1	1	
2	65W-12171-01	CAMSHAFT 1	1	1	1	
3	65W-11537-01	GEAR, DRIVEN	1	1	1	
4	93605-14143	PIN, DOWEL	1	1	1	
5	90201-10M06	WASHER, PLATE	1	1	1	
6	95895-10040	BOLT, FLANGE	1	1	1	
7	65W-46241-00	V-BELT	1	1	1	
8	65W-11536-10	GEAR, DRIVE	1	1	1	
9	65W-11476-00	SPRING	1	1	1	
10	90280-04M06	KEY, WOODRUFF	1	1	1	
11	65W-13300-00	OIL PUMP ASSY	1	1	1	
12	93210-33MH2	.O-RING	1	1	1	
13	93210-12MG9	.O-RING	1	1	1	
14	93210-14515	.O-RING	1	1	1	
15	90119-06MA5	BOLT, WITH WASHER	4	4	4	

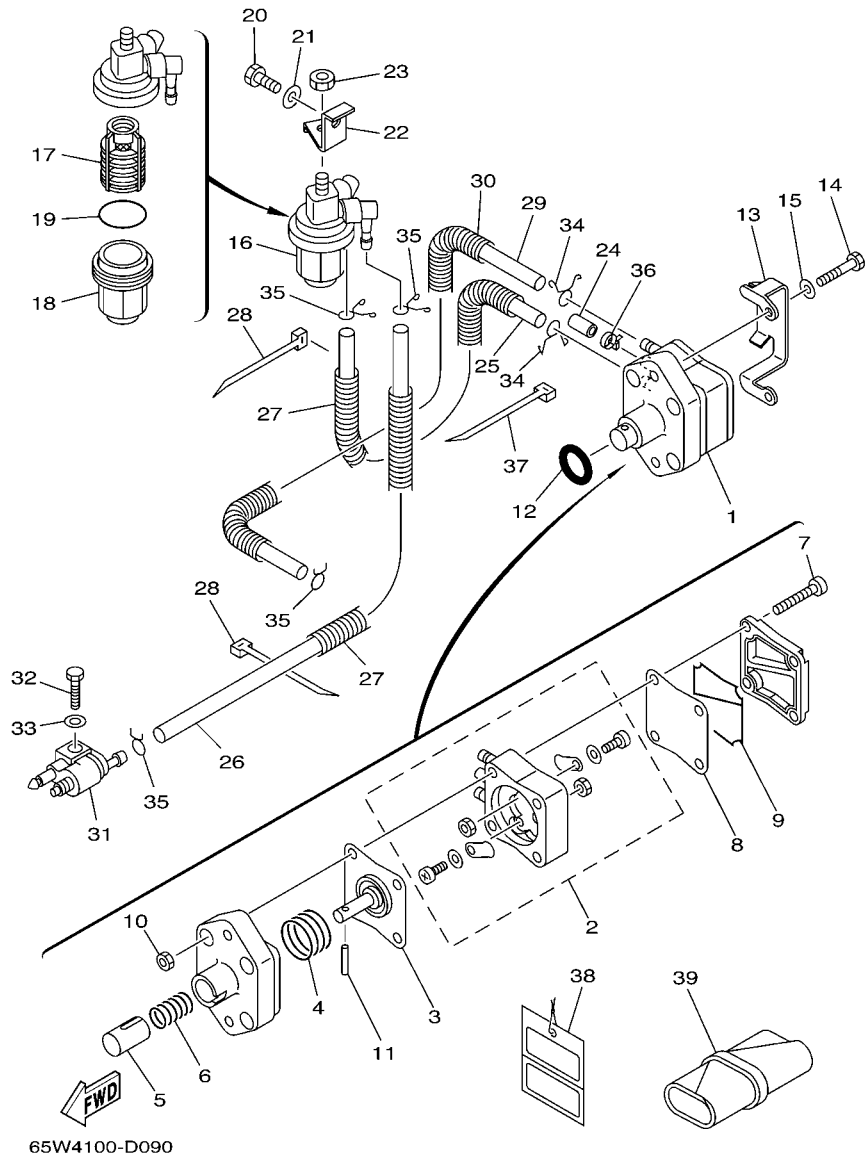
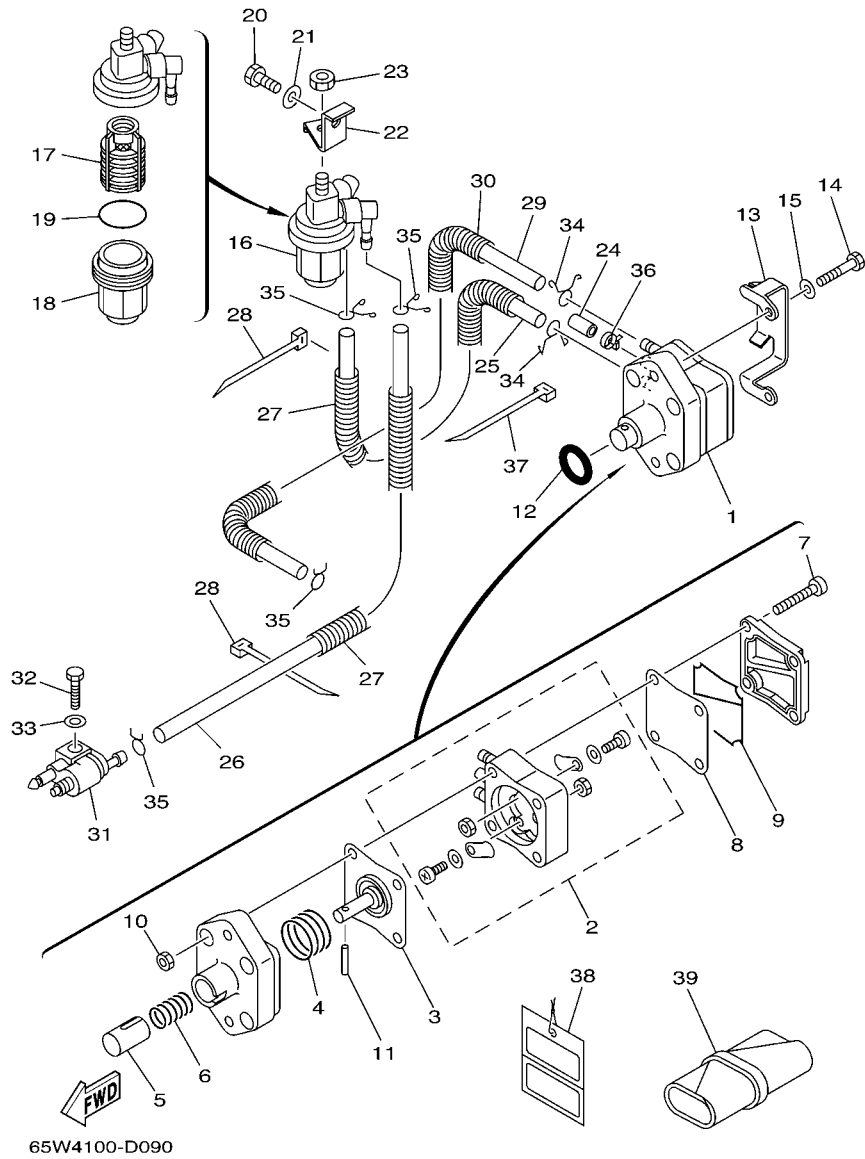


FIG. 9 FUEL 1

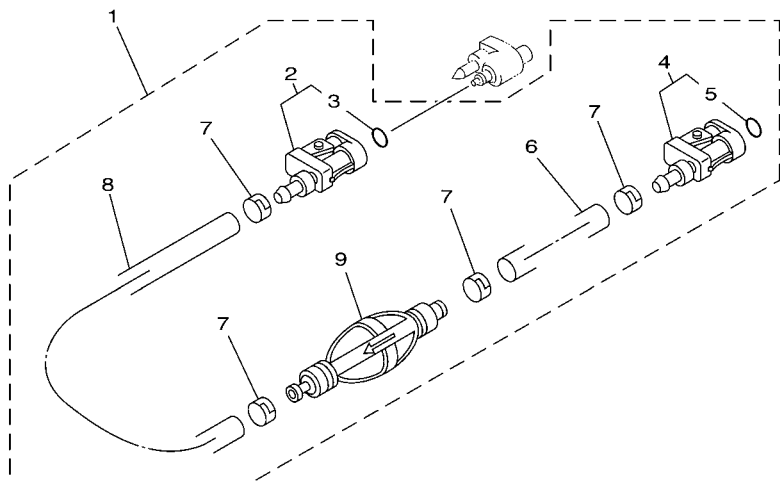
REF. NO.	PART NO.	DESCRIPTION	USA	CAN	OCE	REMARKS
1	62Y-24410-03	FUEL PUMP ASSY	1	1	1	
2	62Y-24415-00	.PUMP BODY SUB ASSY	1	1	1	
3	62Y-24411-02	.DIAPHRAGM	1	1	1	
4	62Y-24423-00	.SPRING, DIAPHRAGM	1	1	1	
5	62Y-13131-01	.PLUNGER	1	1	1	
6	62Y-24454-00	.SPRING	1	1	1	
7	62Y-24444-01	.SCREW	4	4	4	
8	62Y-24471-00	.DIAPHRAGM	1	1	1	
9	62Y-24452-00	.PACKING	1	1	1	
10	95380-05600	.NUT	4	4	4	
11	62Y-24374-01	.PIN	1	1	1	
12	93210-24M79	O-RING	1	1	1	
13	65W-24474-10	COVER	1	1	1	
14	97095-06030	BOLT	2	2	2	
15	92995-06600	WASHER	2	2	2	
16	61N-24560-00	FILTER ASSY	1	1	1	
17	61N-24563-00	.ELEMENT, FILTER	1	1	1	
18	61N-24521-00	.CUP, FILTER	1	1	1	
19	93210-32738	.O-RING	1	1	1	
20	97095-08014	BOLT	1	1	1	
21	92995-08600	WASHER	1	1	1	
22	6D5-24566-00	BRACKET, FILTER	1	1	1	
23	95380-08600	NUT	1	1	1	
24	65W-24481-00	PLUG	1	1	1	
25	90445-10MG6	HOSE (L180)	1	1	1	
26	90445-10M34	HOSE (L550)	1	1	1	
27	90446-14M12	HOSE	2	2	2	

FIG. 9 FUEL 1



REF. NO.	PART NO.	DESCRIPTION	USA	CAN	OCE	REMARKS
28	90465-11M10	CLAMP	2	2	2	
29	90445-10MG7	HOSE (L350)	1	1	1	
30	90446-14M51	HOSE	1	1	1	
31	6G1-24304-02	FUEL PIPE JOINT COMP. 1	1	1	1	
32	97095-06025	BOLT	1	1	1	
33	92995-06600	WASHER	1	1	1	
34	90467-10M04	CLIP	2	2	2	
35	90467-09M17	CLIP	4	4	4	
36	90465-11M10	CLAMP	1	1	1	
37	90465-13M18	CLAMP	1	1	1	
38	61H-2819R-31	TAG, WARNING	1	1	1	
39	62Y-28100-00	TOOL KIT	1	1	1	AP

FIG. 10 FUEL 2



REF. NO.	PART NO.	DESCRIPTION	USA	CAN	OCE	REMARKS
1	6Y2-24306-55	FUEL PIPE COMP. 1	1			AP
2	6E5-24305-05	.FUEL PIPE JOINT COMP. 2	1			
3	93210-08287	..O-RING	1			
4	6Y2-24305-05	.FUEL PIPE JOINT COMP. 2	1			
5	93210-08287	..O-RING	1			
6	90445-13M01	.HOSE (L2050)	1			
7	6E5-24351-51	.BAND 1	4			
8	90445-13M00	.HOSE (L850)	1			
9	6Y2-24360-60	.PRIMER PUMP ASSY	1			



68R3100-C100

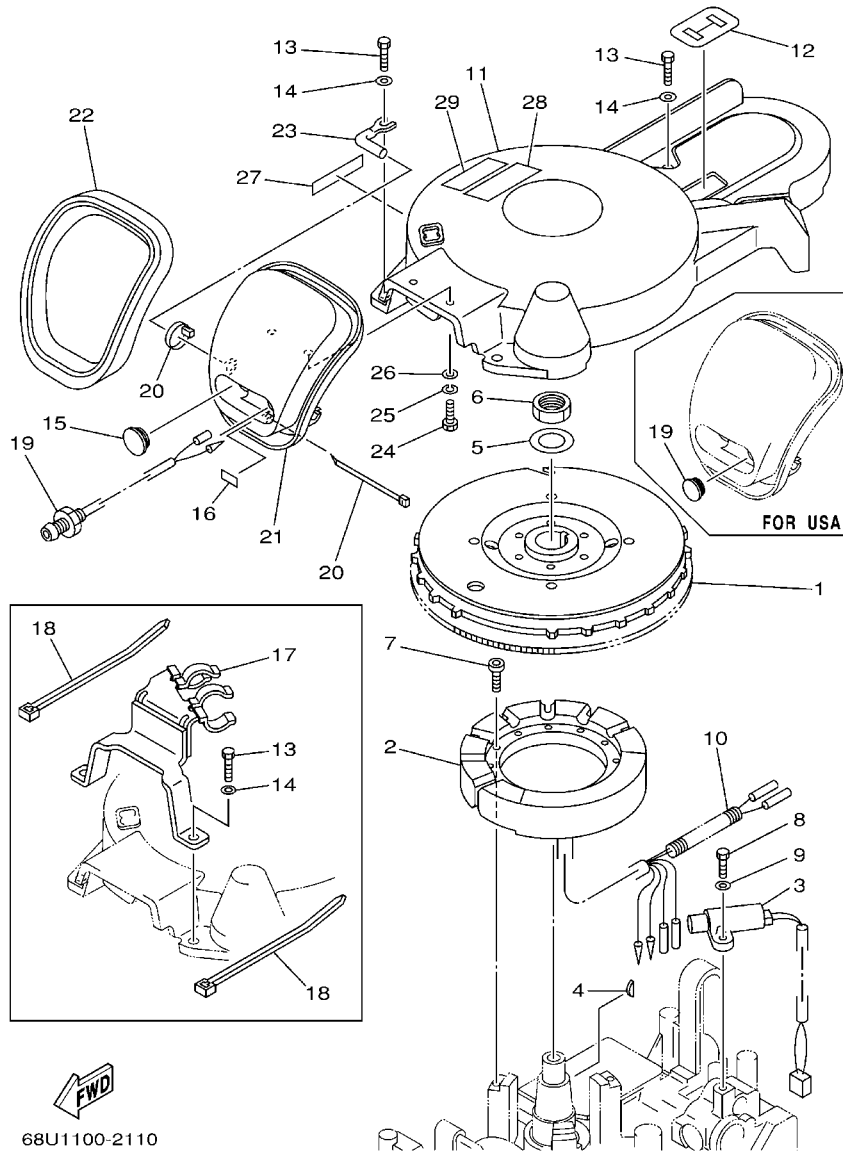
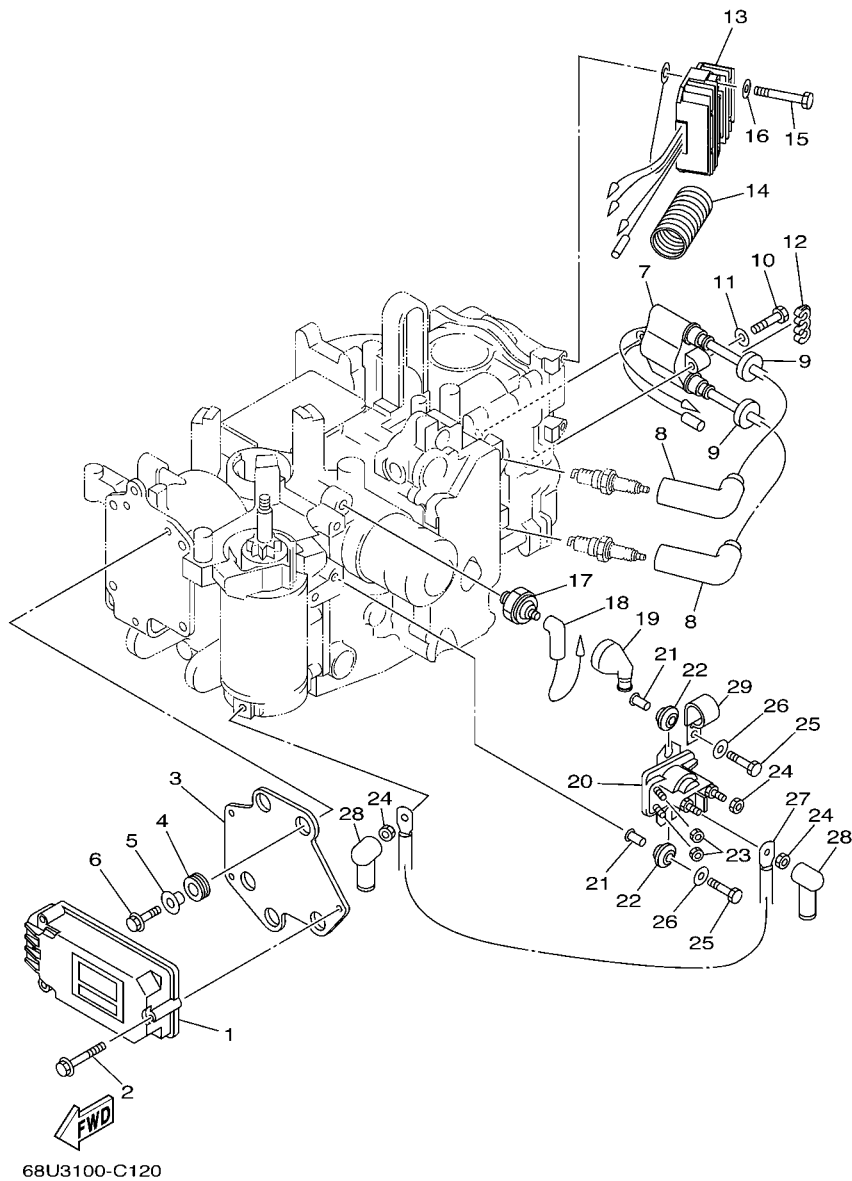


FIG. 11 GENERATOR

REF. NO.	PART NO.	DESCRIPTION	USA	CAN	OCE	REMARKS
1	65W-85550-01	ROTOR ASSY	1	1	1	
2	65W-85510-10	STATOR ASSY	1	1	1	
3	65W-85580-00	COIL, PULSER	1	1	1	
4	65W-11545-00	KEY, WOODRUFF	1	1	1	
5	90201-21M18	WASHER, PLATE	1	1	1	
6	90170-20137	NUT	1	1	1	
7	91380-05030	BOLT	3	3	3	
8	97095-05016	BOLT	2	2	2	
9	92995-05600	WASHER	2	2	2	
10	90446-10M82	HOSE (L90)	1	1	1	
11	65W-81337-00	COVER, FLYWHEEL	1	1	1	
12	65W-81639-00	PLATE, ARMATURE FITTING	1	1	1	
13	97095-06025	BOLT	4	4	4	
14	92995-06600	WASHER	4	4	4	
15	6G1-42725-00	GROMMET	1	1	1	
16	65W-84342-00	SEAT, EMBLEM	1	1	1	
17	65W-82594-10	CLAMP	1	1	1	
18	90465-13M18	CLAMP	2	2	2	
19	68U-42726-00	GROMMET	1			
	65W-85410-01	EMERGENCY SIGNAL LIGHT ASSY		1	1	
20	90465-11M10	CLAMP		2	2	
21	65W-15758-10	GUIDE, ROPE	1	1	1	
22	65W-15762-00	SEAL, RUBBER 2	1	1	1	
23	65W-15771-00	STAY 1	1	1	1	
24	97095-06020	BOLT	2	2	2	
25	92995-06100	WASHER, SPRING	2	2	2	
26	92995-06600	WASHER	2	2	2	



68U3100-C120

FIG. 12 ELECTRICAL 1

REF. NO.	PART NO.	DESCRIPTION	USA	CAN	OCE	REMARKS
1	65W-85540-20	C.D.I. UNIT ASSY	1	1	1	
2	65W-8252V-00	SCREW, SPECIAL	3	3	3	
3	65W-85542-00	BRACKET	1	1	1	
4	65W-85547-00	DAMPER	3	3	3	
5	65W-86129-20	COLLAR	3	3	3	
6	65W-8252V-10	SCREW, SPECIAL	3	3	3	
7	65W-85570-01	IGNITION COIL ASSY	1	1	1	
8	6G8-82370-30	PLUG CAP ASSY	2	2	2	
9	90480-25161	GROMMET	2	2	2	
10	97095-06030	BOLT	2	2	2	
11	92995-06600	WASHER	2	2	2	
12	90464-07M05	CLAMP	1	1	1	
13	65W-81960-10	RECTIFIER & REGULATOR ASSY	1	1	1	
14	6K3-83557-00	TUBE	1	1	1	
15	97095-06040	BOLT	2	2	2	
16	92995-06600	WASHER	2	2	2	
17	65W-82504-00	OIL PRESSURE SWITCH ASSY	1	1	1	
18	65W-82127-00	WIRE, LEAD 2	1	1	1	
19	65W-82532-00	CAP	1	1	1	
20	65W-81941-00	STARTER RELAY ASSY	1	1	1	
21	65W-8191C-00	COLLAR	2	2	2	
22	65W-81922-00	GROMMET	2	2	2	
23	65W-8182A-00	NUT	2	2	2	
24	65W-8182B-00	NUT, SPECIAL	3	3	3	
25	97095-06025	BOLT	2	2	2	
26	92995-06600	WASHER	2	2	2	
27	65W-82117-00	WIRE, LEAD	1	1	1	

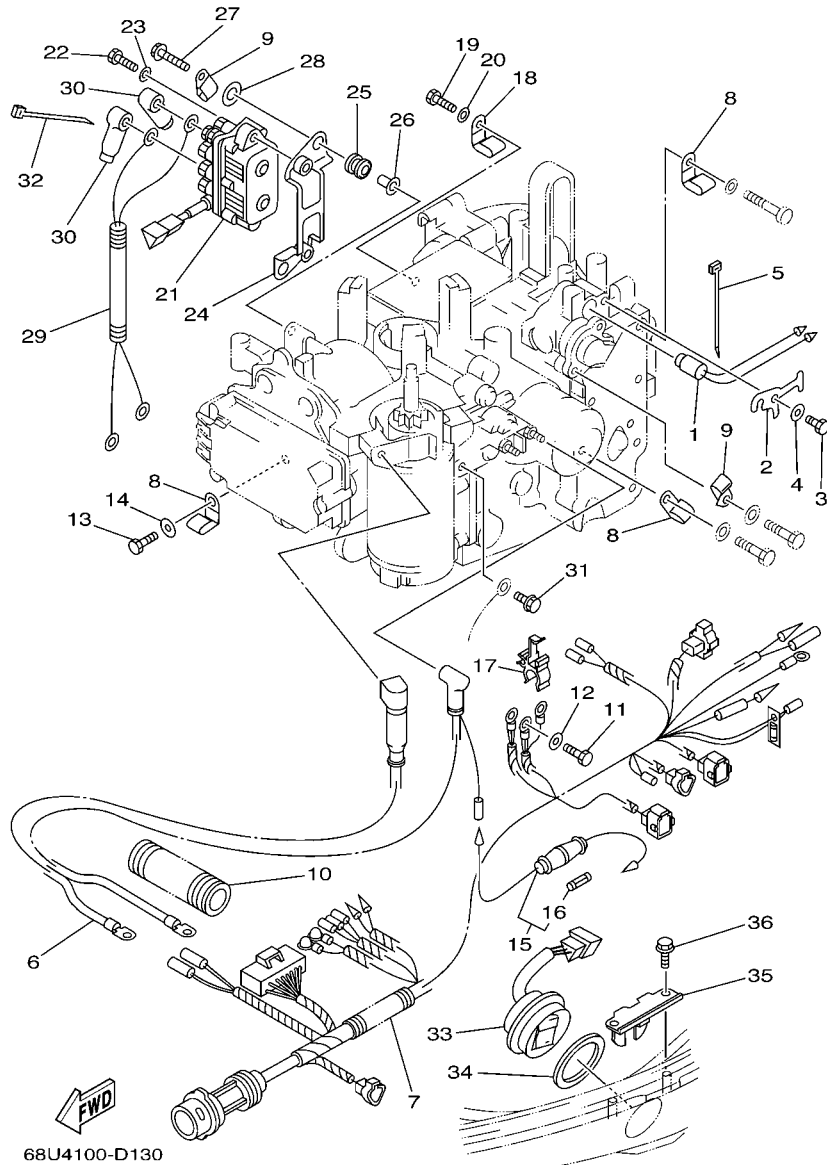
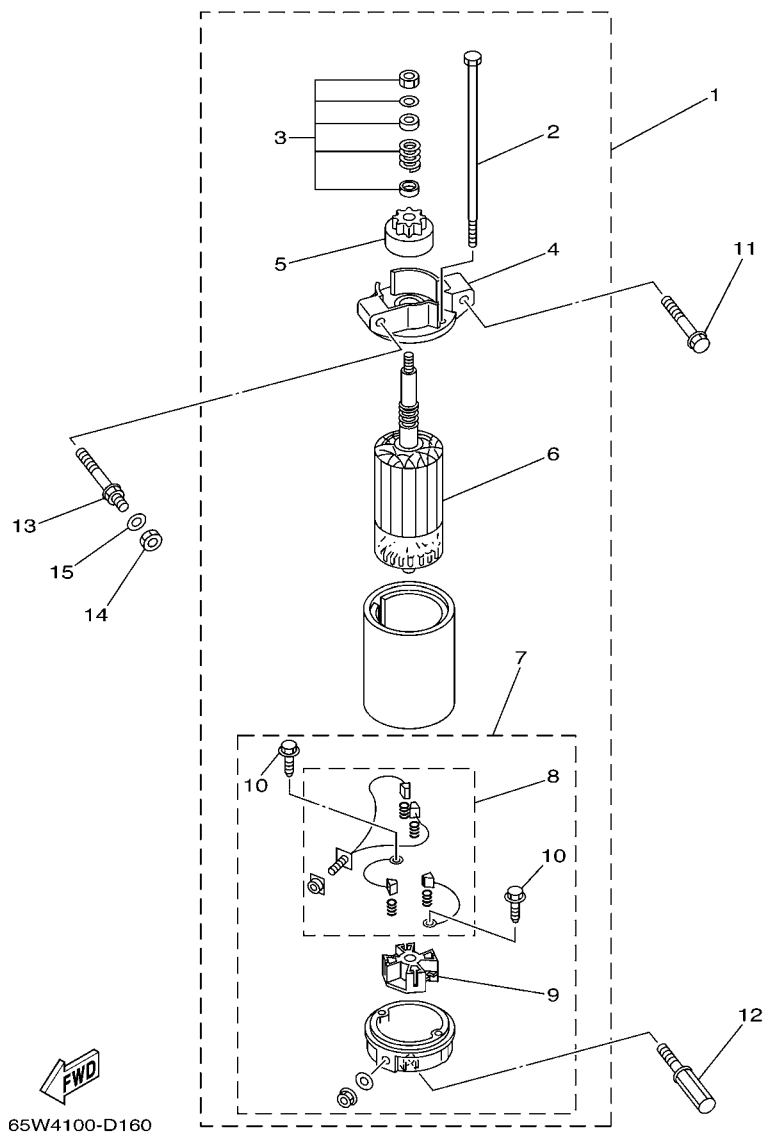


FIG. 13 ELECTRICAL 2

REF. NO.	PART NO.	DESCRIPTION	USA	CAN	OCE	REMARKS
1	65W-85790-00	THERMOSENSOR ASSY	1	1	1	
2	65W-85757-00	RETAINER	1	1	1	
3	97095-06012	BOLT	1	1	1	
4	92995-06600	WASHER	1	1	1	
5	90465-11M10	CLAMP	1	1	1	
6	68U-82105-U0	WIRE HARNESS	1			
	65W-82105-00	WIRE HARNESS		1	1	
7	68U-82590-20	WIRE HARNESS ASSY (10P)	1			
	65W-82590-30	WIRE HARNESS ASSY (10P)		1	1	
8	90465-08M08	CLAMP	3	3	3	
9	90465-06M88	CLAMP	2	2	2	
10	6N7-83557-00	TUBE (I.DIA:22MM)	1	1	1	
11	97095-06016	BOLT	2	2	2	
12	92995-06600	WASHER	2	2	2	
13	97095-05016	BOLT	1	1	1	
14	92995-05600	WASHER	1	1	1	
15	6G8-82150-00	FUSE HOLDER ASSY	1	1	1	
16	663-82151-00	.FUSE (12V-20A)	1	1	1	
17	6G5-82152-00	HOLDER, FUSE	1	1	1	
18	90465-08M08	CLAMP	1	1	1	
19	97095-06016	BOLT	1	1	1	
20	92995-06600	WASHER	1	1	1	
21	61A-81950-00	RELAY ASSY	1	1	1	
22	97075-06020	BOLT	2	2	2	
23	92995-06600	WASHER	2	2	2	
24	65W-81948-00	BRACKET	1	1	1	
25	6A0-82317-00	DAMPER, IGNITION COIL	2	2	2	

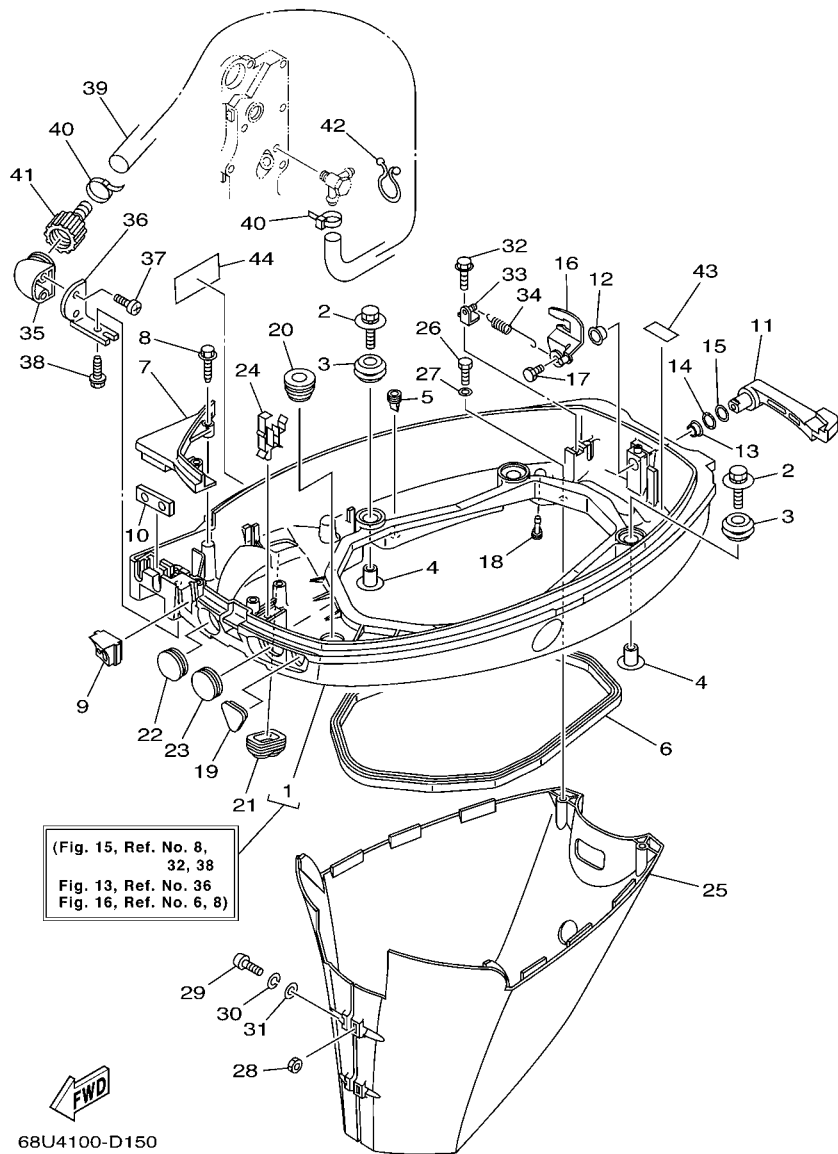
FIG. 14 STARTING MOTOR



65W4100-D160

REF. NO.	PART NO.	DESCRIPTION	USA	CAN	OCE	REMARKS
1	65W-81800-02	STARTING MOTOR ASSY	1	1	1	
2	65W-81826-00	.BOLT	2	2	2	
3	65W-81857-02	.PINION STOPPER SET	1	1	1	
4	65W-81830-00	.FRONT BRACKET ASSY	1	1	1	
5	65W-81807-00	.GEAR ASSY, STARTING MOTOR	1	1	1	
6	65W-81850-02	.ARMATURE ASSY	1	1	1	
7	65W-81820-00	.REAR BRACKET ASSY	1	1	1	
8	65W-81801-00	..BRUSH SET	1	1	1	
9	65W-81840-00	..BRUSH HOLDER ASSY	1	1	1	
10	65W-8182S-00	..SCREW	2	2	2	
11	90119-08M39	BOLT, WITH WASHER	1	1	1	
12	90109-08M77	BOLT	1	1	1	
13	90109-08M78	BOLT	1	1	1	
14	95380-08700	NUT	1	1	1	
15	92990-08600	WASHER, PLATE	2	2	2	

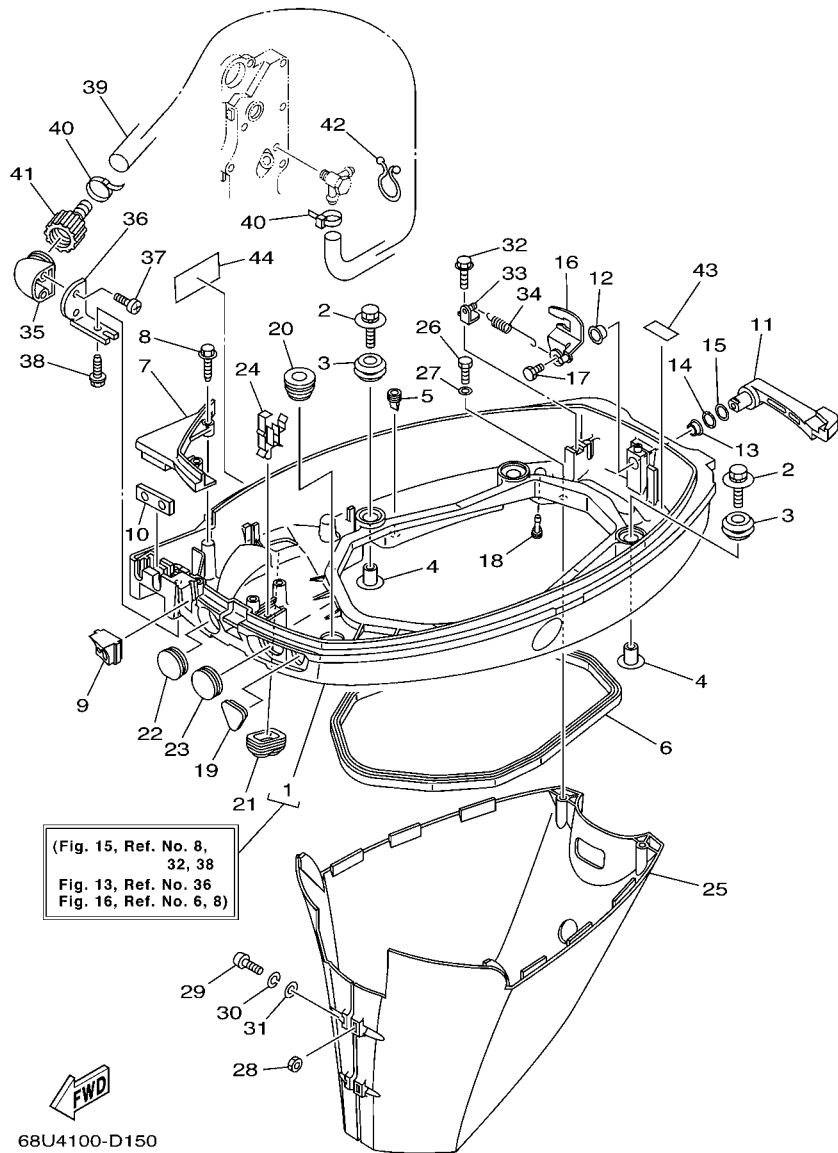
FIG. 15 BOTTOM COWLING



68U4100-D150

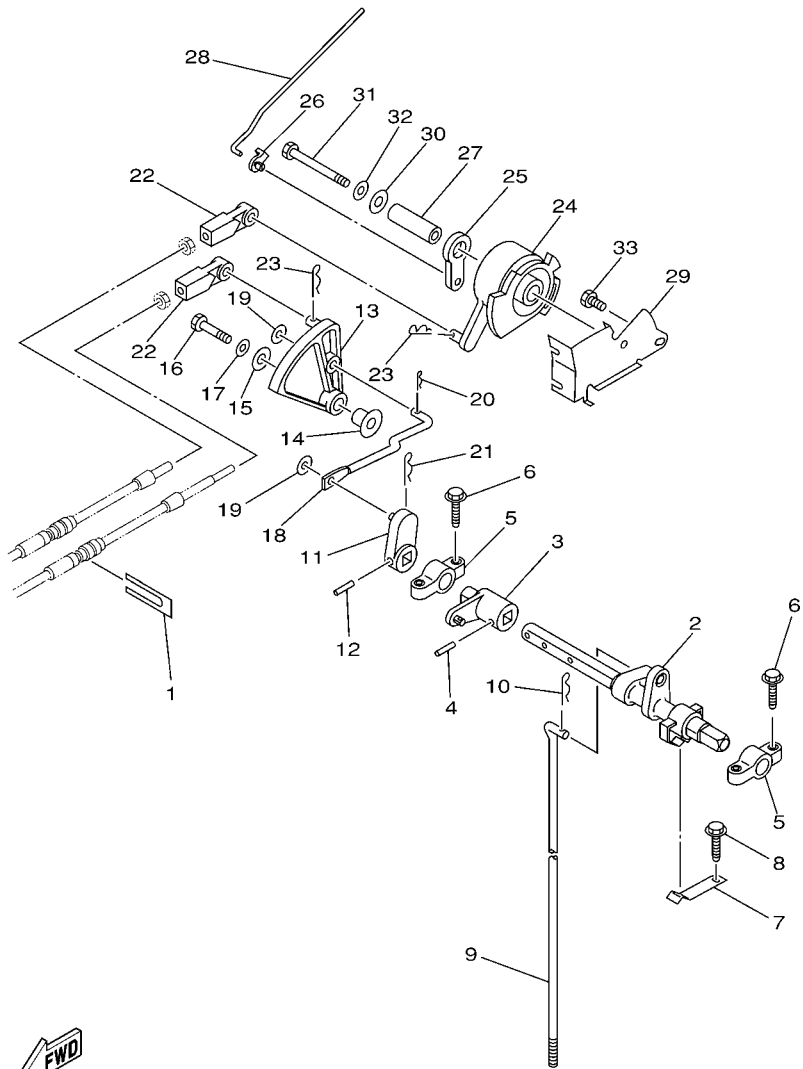
REF. NO.	PART NO.	DESCRIPTION	USA	CAN	OC	REMARKS
1	68U-42710-12-4D	BOTTOM COWLING ASSY	1	1	1	WITH TAPPING BOLT
2	90119-06M08	BOLT, WITH WASHER	4	4	4	
3	90480-09M12	GROMMET	4	4	4	
4	90387-06060	COLLAR	4	4	4	
5	65W-42717-00	RUBBER, SEAL 2	6	6	6	
6	62Y-42716-00	RUBBER, SEAL 1	1	1	1	
7	65W-42738-01-4D	PLATE, FITTING	1	1	1	
8	90109-06M82	BOLT	2	2	2	
9	68U-42725-00	GROMMET	1			
	65W-42725-21	GROMMET		1	1	
10	62Y-42727-00	GROMMET	1	1	1	
11	6D5-42815-00-4D	LEVER, CLAMP	1	1	1	
12	90386-12M37	BUSH	1	1	1	
13	90386-12MA2	BUSH	1	1	1	
14	90206-12052	WASHER, WAVE	1	1	1	
15	90201-12M07	WASHER, PLATE	1	1	1	
16	6D5-42816-00	LEVER, CLAMP	1	1	1	
17	97095-06012	BOLT	1	1	1	
18	6H3-44391-01	NIPPLE, HOSE	1	1	1	
19	65W-26326-10	GROMMET	1	1	1	
20	68U-42727-00	GROMMET	1	1	1	
21	6H1-42726-21	GROMMET	1	1	1	FLUSHING KIT
22	6G1-42725-00	GROMMET	1	1	1	
23	65W-42726-10	GROMMET	1	1	1	
24	90465-25M57	CLAMP	1	1	1	
25	68U-42741-00-4D	APRON	1	1	1	
26	97095-06014	BOLT	2	2	2	

FIG. 15 BOTTOM COWLING



68U4100-D150

REF. NO.	PART NO.	DESCRIPTION	USA	CAN	OCE	REMARKS
27	92995-06600	WASHER	2	2	2	
28	95380-06600	NUT, HEXAGON	2	2	2	
29	97880-06025	SCREW, PAN HEAD	2	2	2	
30	92990-06100	WASHER, SPRING	2	2	2	
31	92990-06600	WASHER, PLATE	2	2	2	
32	90109-06M86	BOLT	1	1	1	
33	6D5-43144-00	HOOK, SPRING	1	1	1	
34	90506-18010	SPRING, TENSION	1	1	1	
35	68T-12572-00	ADAPTER	1	1	1	FLUSHING KIT
36	69W-12535-00	PLATE	1	1	1	FLUSHING KIT
37	90167-06002	SCREW, TAPPING	2	2	2	FLUSHING KIT
38	90109-06M86	BOLT	1	1	1	FLUSHING KIT
39	90445-11M82	HOSE	1	1	1	FLUSHING KIT
40	90465-11M10	CLAMP	2	2	2	FLUSHING KIT
41	6R3-12580-00	JOINT ASSY	1	1	1	FLUSHING KIT
42	90464-15M11	CLAMP	1			
43	62Y-82377-00	LABEL	1	1	1	
44	6G8-13444-41	MARK	1		1	
	6G8-13444-51	MARK		1		

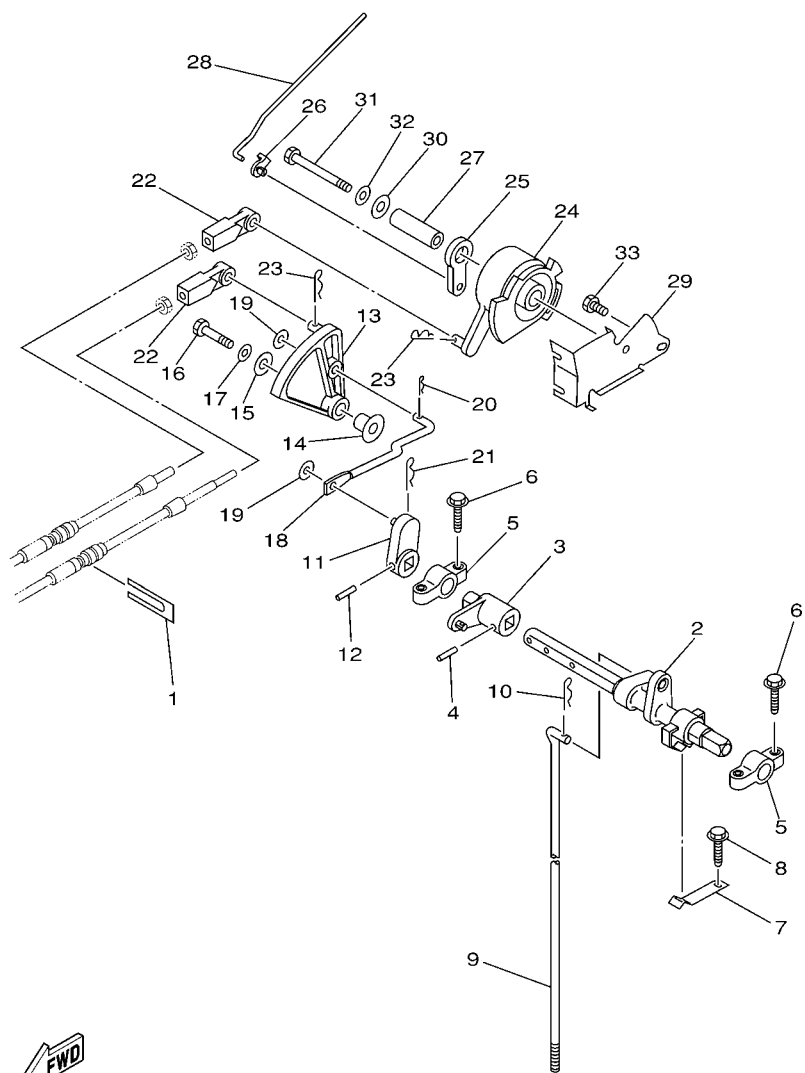


FWD
68U0100-0160

FIG. 16 CONTROL

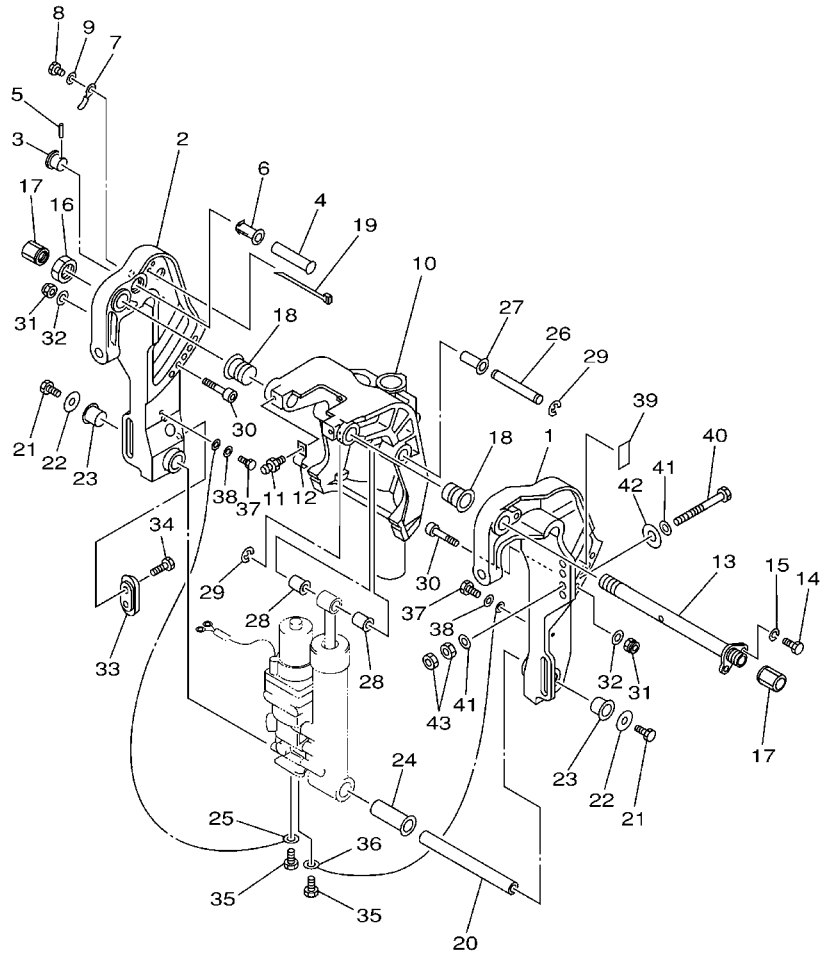
REF. NO.	PART NO.	DESCRIPTION	USA	CAN	OCE	REMARKS
1	6H3-48538-00	CLAMP, CABLE 1	1	1	1	
2	65W-44121-00	LEVER, SHIFT ROD	1	1	1	
3	65W-44122-00	BUSHING, SHIFT ROD LEVER	1	1	1	
4	90254-03M05	PIN, SPRING	1	1	1	
5	6F5-41662-00	BRACKET	2	2	2	
6	90109-06M81	BOLT	4	4	4	
7	65W-44116-00	SPRING	1	1	1	
8	90109-06M86	BOLT	1	1	1	
9	68U-44143-10	ROD, SHIFT	1	1	1	
10	90468-18008	CLIP	1	1	1	
11	65W-44142-00	JOINT	1	1	1	
12	90254-03M05	PIN, SPRING	1	1	1	
13	68U-44125-00	LEVER, SHIFT ROD	1	1	1	
14	90387-06M29	COLLAR	1	1	1	
15	90201-06M31	WASHER, PLATE	1	1	1	
16	97095-06025	BOLT	1	1	1	
17	92995-06600	WASHER	1	1	1	
18	65W-44192-00	JOINT, ROD 1	1	1	1	
19	90201-05M06	WASHER, PLATE	2	2	2	
20	90468-10005	CLIP	1	1	1	
21	90468-18008	CLIP	1	1	1	
22	663-48344-00	CABLE END, REMOTE CONTROL	2	2	2	
23	90468-18008	CLIP	2	2	2	
24	68U-41638-00	PULLEY	1	1	1	
25	65W-41283-00	LEVER, FREE ACCEL.	1	1	1	
26	661-41262-02	JOINT, CHOKE LEVER	1	1	1	
27	90387-06064	COLLAR	1	1	1	

FIG. 16 CONTROL




68U0100-0160

REF. NO.	PART NO.	DESCRIPTION	USA	CAN	OCE	REMARKS
28	65W-41211-00	LINK, ACCEL.	1	1	1	
29	65W-14497-01	STAY, THROTTLE WIRE	1	1	1	
30	90201-06M31	WASHER, PLATE	1	1	1	
31	97095-06055	BOLT	1	1	1	
32	92995-06600	WASHER	1	1	1	
33	97095-06010	BOLT	1	1	1	



67C1100-2230

FIG. 17 BRACKET 1

REF. NO.	PART NO.	DESCRIPTION	USA	CAN	OCE	REMARKS
1	67C-43111-10-4D	BRACKET, CLAMP	1	1	1	
2	67C-43112-10-4D	BRACKET, CLAMP	1	1	1	
3	65W-43192-00	KNOB, STOPPER	1	1	1	
4	65W-43191-00	SHAFT, STOPPER	1	1	1	
5	91690-30018	PIN, SPRING	1	1	1	
6	90386-14MA1	BUSH	1	1	1	
7	90465-10M77	CLAMP	1			
8	97095-06014	BOLT	1			
9	92995-06600	WASHER	1			
10	68U-43311-10-4D	BRACKET, SWIVEL 1	1	1	1	
11	93700-06M03	NIPPLE, GREASE	3	3	3	
12	90465-08M63	CLAMP	1			
13	6K9-43131-01	BOLT, CLAMP BRACKET	1	1	1	
14	97095-08020	BOLT	1	1	1	
15	92995-08100	WASHER	1	1	1	
16	90185-22M11	NUT, SELF-LOCKING	1	1	1	
17	6G5-43145-01	CAP, CLAMP BRACKET	2	2	2	
18	90386-22MA4	BUSH	2	2	2	
19	90465-13M11	CLAMP	2	2	2	
20	90249-18M35	PIN	1	1	1	
21	97080-08016	BOLT	2	2	2	
22	90201-08M00	WASHER, PLATE	2	2	2	
23	90386-18M44	BUSH	2	2	2	
24	90386-18MA0	BUSH	1	1	1	
25	6H1-82148-00	WIRE, LEAD 4	1	1	1	
26	90249-12M38	PIN	1	1	1	
27	90381-12M10	BUSH, SOLID	1	1	1	

D7

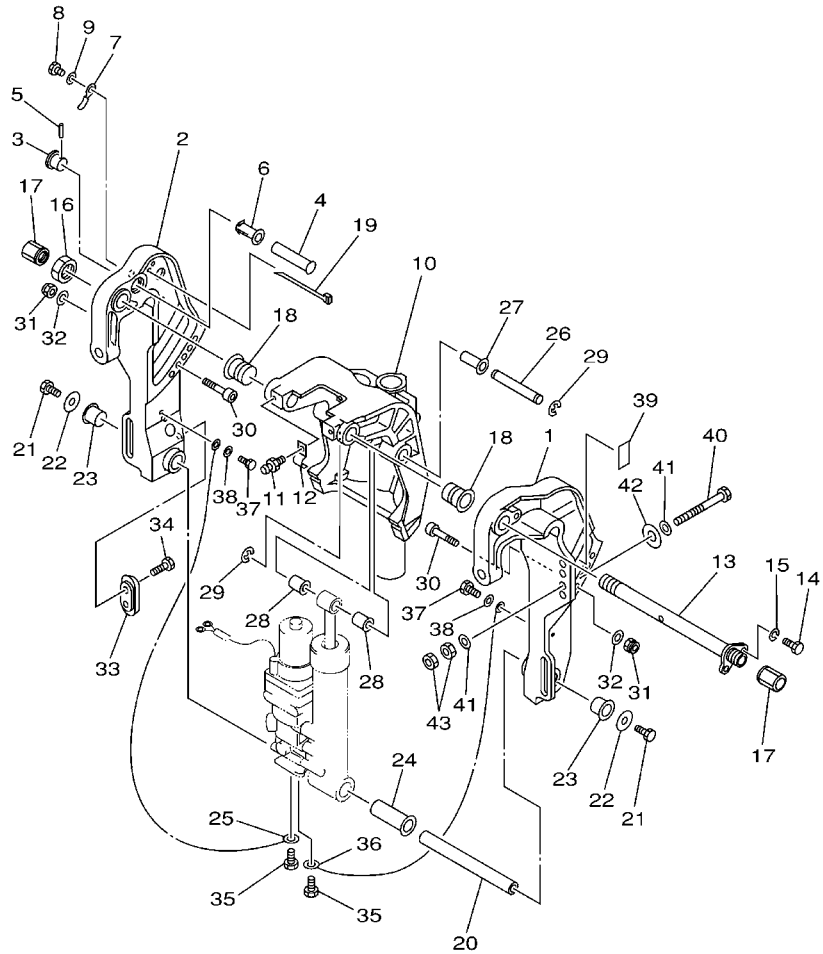
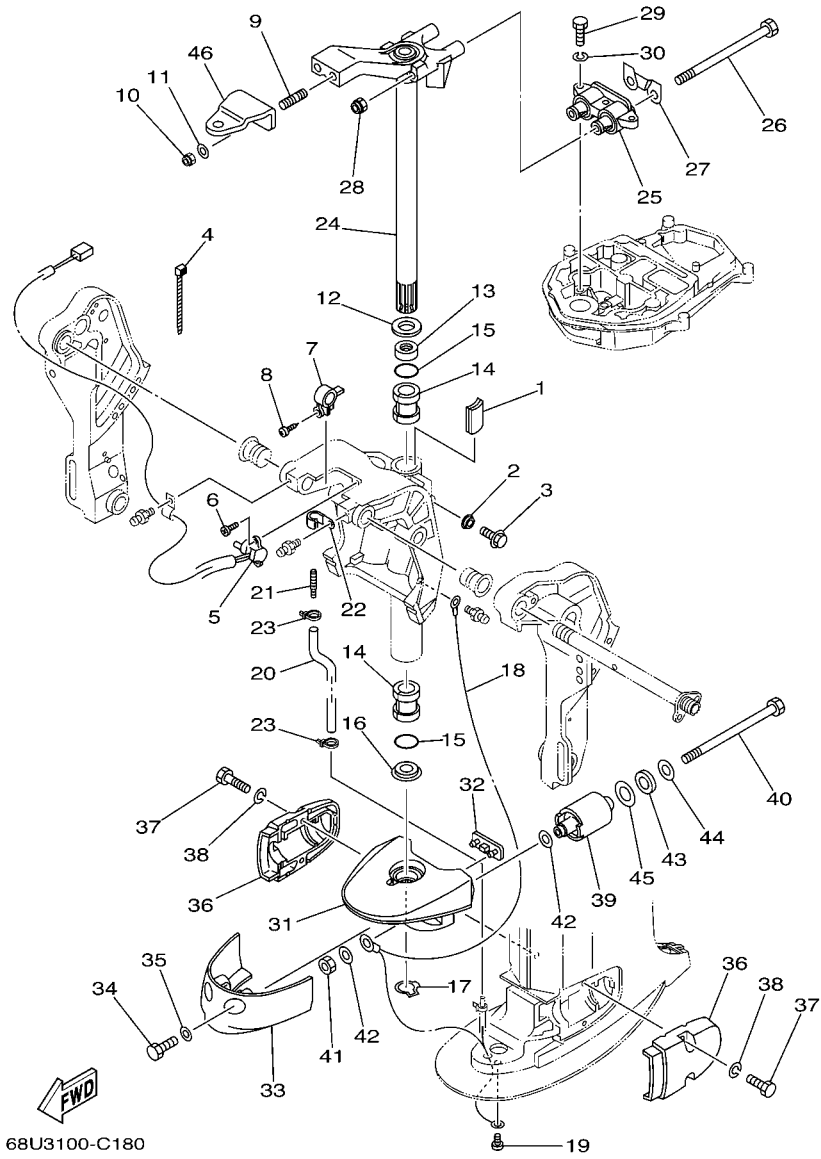


FIG. 17 BRACKET 1

REF. NO.	PART NO.	DESCRIPTION	USA	CAN	OC	REMARKS
28	90381-12M11	BUSH, SOLID	2	2	2	
29	93430-10M00	CIRCLIP	2	2	2	
30	90110-10M02	BOLT, HEXAGON SOCKET HEAD	2	2	2	
31	90185-10M13	NUT, SELF-LOCKING	2	2	2	
32	92995-10600	WASHER	2	2	2	
33	65W-45251-00	ANODE	1	1	1	
34	90101-06020	BOLT	2	2	2	
35	97085-06010	BOLT	2	2	2	
36	6U0-82127-00	WIRE, LEAD 2	1	1	1	
37	97095-06014	BOLT	2	2	2	
38	92995-06600	WASHER	2	2	2	
39	63V-82377-50	LABEL (SPARK,IGNITION)		1		FOR CAN
40	90101-12M65	BOLT	4	4	4	
41	92995-12200	WASHER	8	8	8	
42	90201-12426	WASHER, PLATE	4	4	4	
43	95380-12600	NUT	8	8	8	



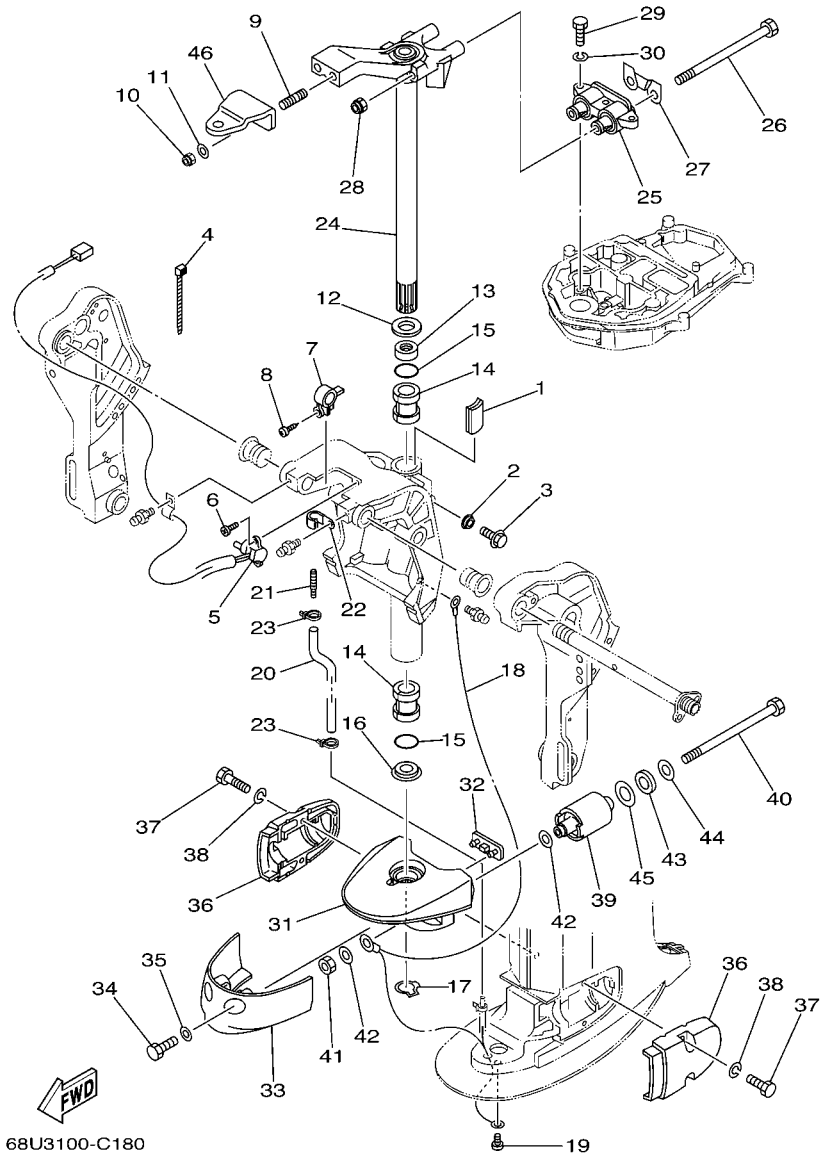
67C1100-2230



68U3100-C180

FIG. 18 BRACKET 2

REF. NO.	PART NO.	DESCRIPTION	USA	CAN	OC	REMARKS
1	6J8-42528-00	PLATE, FRICTION	1	1	1	
2	689-43373-01	SEAL, DAMPER	1	1	1	
3	90105-06M18	BOLT, FLANGE	1	1	1	
4	90465-11M10	CLAMP	4			
	90465-11M10	CLAMP		1	1	
5	67H-83672-00	TRIM SENDER	1			
6	97885-06016	SCREW, PAN HEAD	2			
7	6K9-43139-01	CAM, TRIM SENDER	1			
8	97780-60525	SCREW, TAPPING	1			
9	90116-10M70	BOLT, STUD	2	2	2	
10	90185-10051	NUT, SELF-LOCKING	2	2	2	
11	92995-10600	WASHER	2	2	2	
12	90201-30M00	WASHER, PLATE	1	1	1	
13	90386-30M78	BUSH	1	1	1	
14	90386-30M77	BUSH	2	2	2	
15	93210-29M94	O-RING	2	2	2	
16	90386-30M60	BUSH	1	1	1	
17	93410-28M06	CIRCLIP	1	1	1	
18	67C-82127-10	WIRE, LEAD 2	1	1	1	
19	97885-06008	SCREW, PAN HEAD	1	1	1	
20	90445-07M53	HOSE (L700)	1	1	1	
21	6E5-83558-00	END, NIPPLE	1	1	1	
22	90465-08M07	CLAMP	1	1	1	
23	90465-11M10	CLAMP	2	2	2	
24	68U-42510-11-4D	STEERING BRACKET ASSY	1	1	1	
25	67C-44514-10-4D	MOUNT DAMPER, UPPER SIDE	1	1	1	
26	90101-08M15	BOLT	2	2	2	

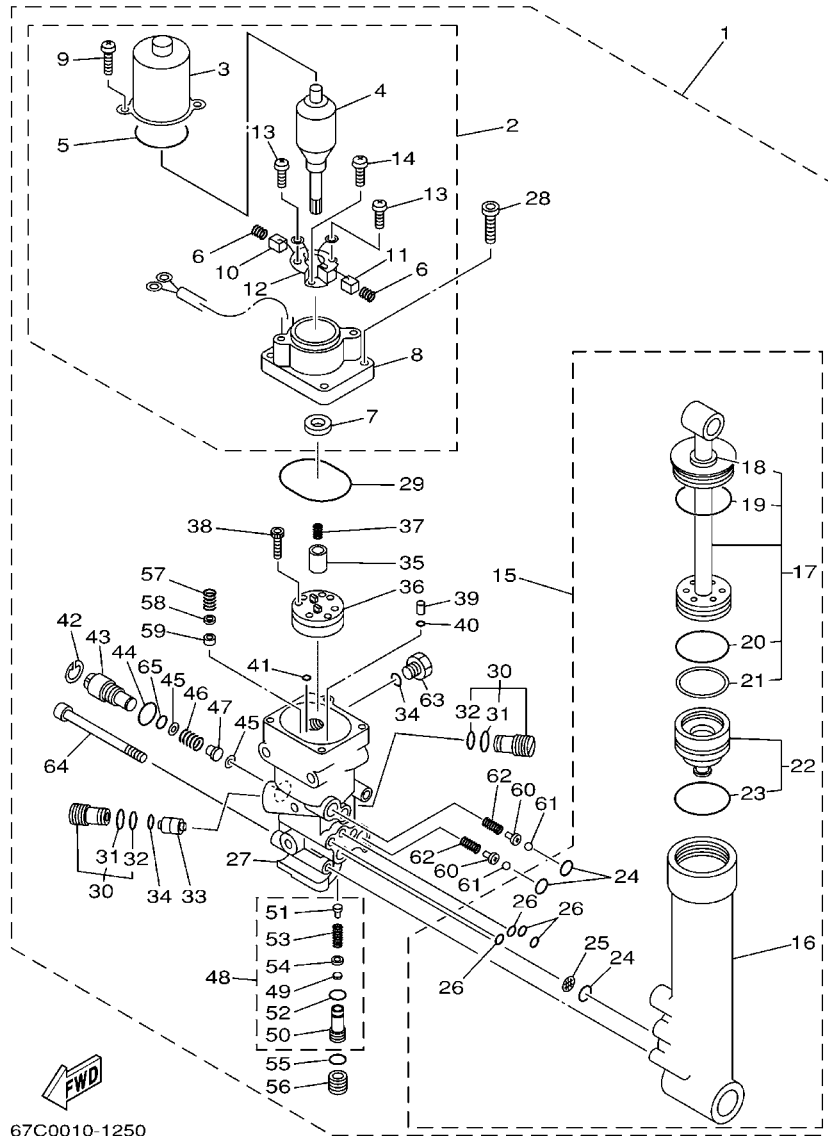


68U3100-C180

FIG. 18 BRACKET 2

REF. NO.	PART NO.	DESCRIPTION	USA	CAN	OC	REMARKS
27	66T-44526-30	PLATE	1	1	1	
28	90185-08045	NUT, SELF-LOCKING	2	2	2	
29	97075-08030	BOLT	3	3	3	
30	92995-08100	WASHER	3	3	3	
31	67C-44551-10-4D	HOUSING, LOWER MOUNT RUBBER	1	1	1	
32	67C-44575-00	DAMPER, LOWER MOUNT RUBBER	1	1	1	
33	67C-44553-00-4D	COVER, LOWER MOUNT	1	1	1	
34	97095-08020	BOLT	2	2	2	
35	92995-08600	WASHER	2	2	2	
36	67C-44552-01-4D	HOUSING, LOWER MOUNT RUBBER	2	2	2	
37	97075-08030	BOLT	4	4	4	
38	92995-08100	WASHER	4	4	4	
39	68U-44555-11-94	MOUNT DAMPER, LOWER SIDE	2	2		L
	67C-44555-11-94	MOUNT DAMPER, LOWER SIDE		2		X
40	90109-12MA3	BOLT	2	2	2	
41	95380-12700	NUT	2	2	2	
42	90201-12M16	WASHER, PLATE	4	4	4	
43	90202-21100	WASHER, PLATE	2	2	2	
44	90201-13M19	WASHER, PLATE	2	2	2	
45	90201-22M05	WASHER, PLATE	2	2	2	
46	65W-48511-00	HOOK, STEERING	1	1	1	

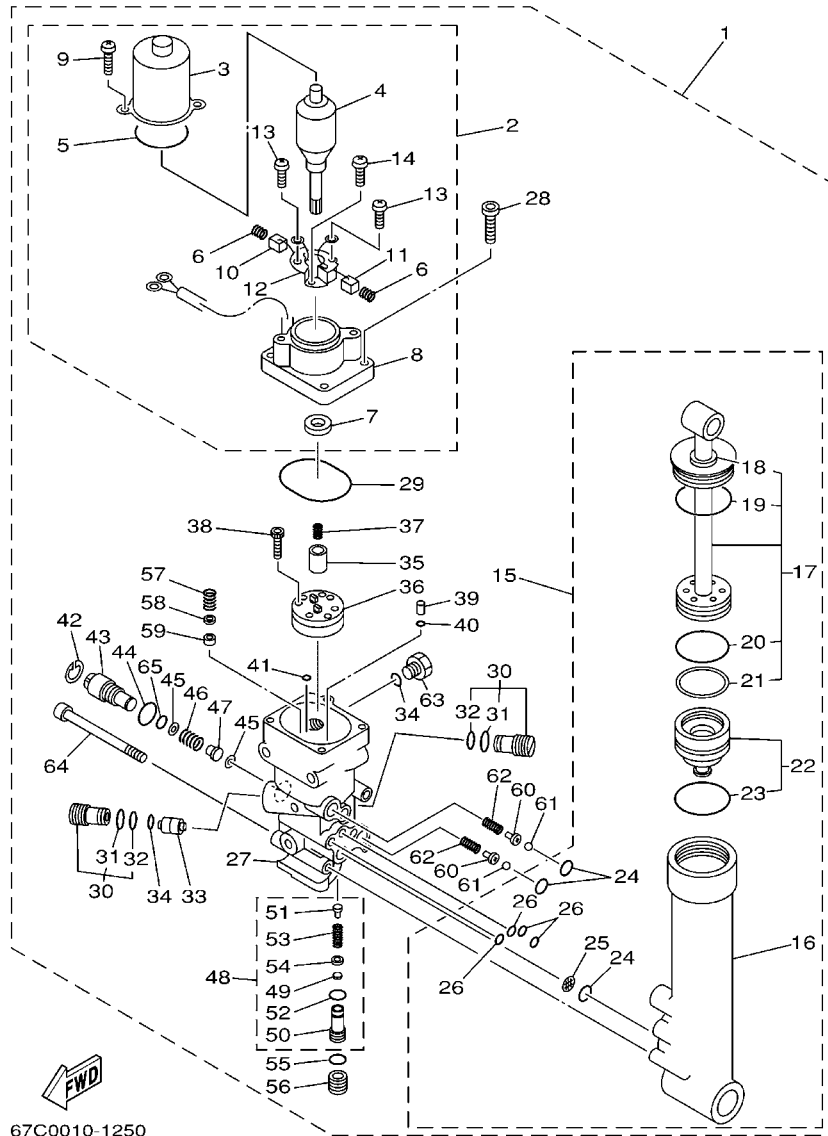
FIG. 19 POWER TRIM & TILT ASSY



67C0010-1250

REF. NO.	PART NO.	DESCRIPTION	USA	CAN	OCE	REMARKS
1	67C-43800-00-4D	POWER TRIM & TILT ASSY	1	1	1	
2	67C-43880-00	..MOTOR ASSY	1	1	1	
3	65W-43804-00	..STATOR ASSY	1	1	1	
4	65W-43805-00	..ARMATURE ASSY	1	1	1	
5	65W-43869-00	..O-RING	1	1	1	
6	65W-4386K-00	..SPRING, BRUSH	2	2	2	
7	65W-43882-00	..OIL SEAL	1	1	1	
8	67C-43881-00	..FRAME, END	1	1	1	
9	65W-43887-00	..BOLT, THROUGH	2	2	2	
10	65W-43892-00	..BRUSH 2	1	1	1	
11	65W-43891-00	..BRUSH 1	1	1	1	
12	65W-4380F-00	..PLATE, BRUSH HOLDER	1	1	1	
13	65W-43879-00	..SCREW, WITH WASHER	2	2	2	
14	65W-4388E-00	..BOLT	1	1	1	
15	65W-43840-00	..POWER TILT ASSY	1	1	1	
16	65W-4380K-00	..CYLINDER, TILT SUB ASSY	1	1	1	
17	65W-43810-00	..TILT PISTON SUB ASSY	1	1	1	
18	65W-43812-00	...SEAL, DUST	1	1	1	
19	65W-43865-00	...O-RING	1	1	1	
20	6H1-43861-10	...O-RING	1	1	1	
21	65W-43871-00	...RING, BACK UP	1	1	1	
22	65W-4381B-00	..FREE PISTON SUB ASSY	1	1	1	
23	6H1-43861-10	...O-RING	1	1	1	
24	93210-11368	..O-RING	3	3	3	
25	6H1-43816-00	..FILTER 1	1	1	1	
26	93210-064A5	..O-RING	4	4	4	
27	67C-4380L-00	..HOUSING, TRIM & TILT SUB ASSY	1	1	1	

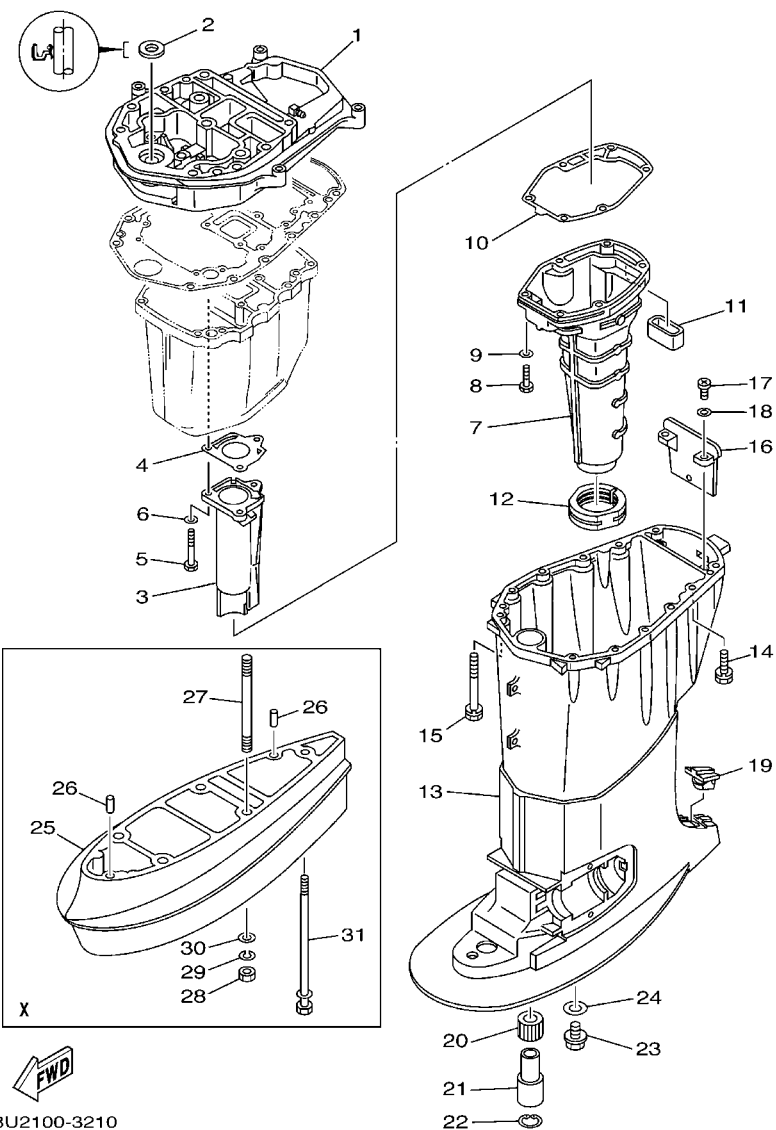
FIG. 19 POWER TRIM & TILT ASSY



67C0010-1250

REF. NO.	PART NO.	DESCRIPTION	USA	CAN	OCE	REMARKS
28	65W-43888-00	.BOLT, SOCKET	4	4	4	
29	93210-50768	.O-RING	1	1	1	
30	6T4-43802-03	.VALVE SUB ASSY	2	2	2	
31	6H1-43866-00	..O-RING	1	1	1	
32	6H1-43867-00	..O-RING	1	1	1	
33	62X-43841-00	.PISTON, SHUTTLE	1	1	1	
34	93210-09165	.O-RING	3	3	3	
35	65W-43831-00	.CONNECTOR, SHAFT	1	1	1	
36	65W-43830-00	.GEAR PUMP ASSY	1	1	1	
37	6T4-43853-00	.SPRING, MAIN VALVE	1	1	1	
38	91318-04025	.BOLT	4	4	4	
39	65W-43817-00	.FILTER 2	2	2	2	
40	65W-43861-00	.O-RING	2	2	2	
41	65W-43862-00	.O-RING	2	2	2	
42	6H1-43875-00	.RING, SNAP	1	1	1	
43	6H1-43845-00	.SCREW, MANUAL RELEASE	1	1	1	
44	93210-18397	.O-RING	1	1	1	
45	6H1-43847-00	.SEAT, MANUAL VALVE	2	2	2	
46	65W-43854-00	.SPRING, MANUAL RELEASE	1	1	1	
47	65W-4382A-00	.ADAPTOR 1	1	1	1	
48	CS2-43803-81	.CASE VALVE COMP.	1	1	1	
49	6H1-4384G-11	..SEAL, RELIEF VALVE	1	1	1	
50	CS2-43851-80	..SEAT, RELIEF VALVE	1	1	1	
51	67F-43843-00	..SCREW, VALVE LOCK	1	1	1	
52	93210-10M74	..O-RING	1	1	1	
53	6H1-43856-10	..SPRING, DOWN RELIEF	1	1	1	
54	6H1-43844-10	..PIN, VALVE SUPPORT	1	1	1	

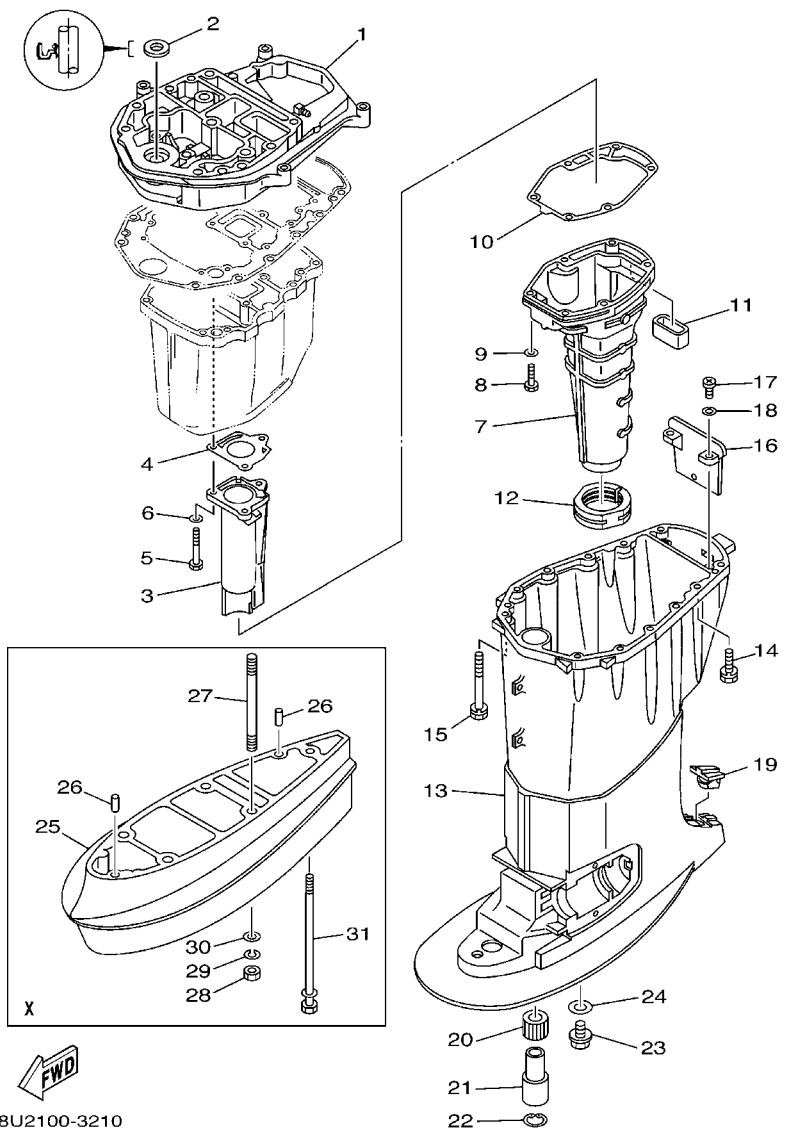
FIG. 20 UPPER CASING



68U2100-3210

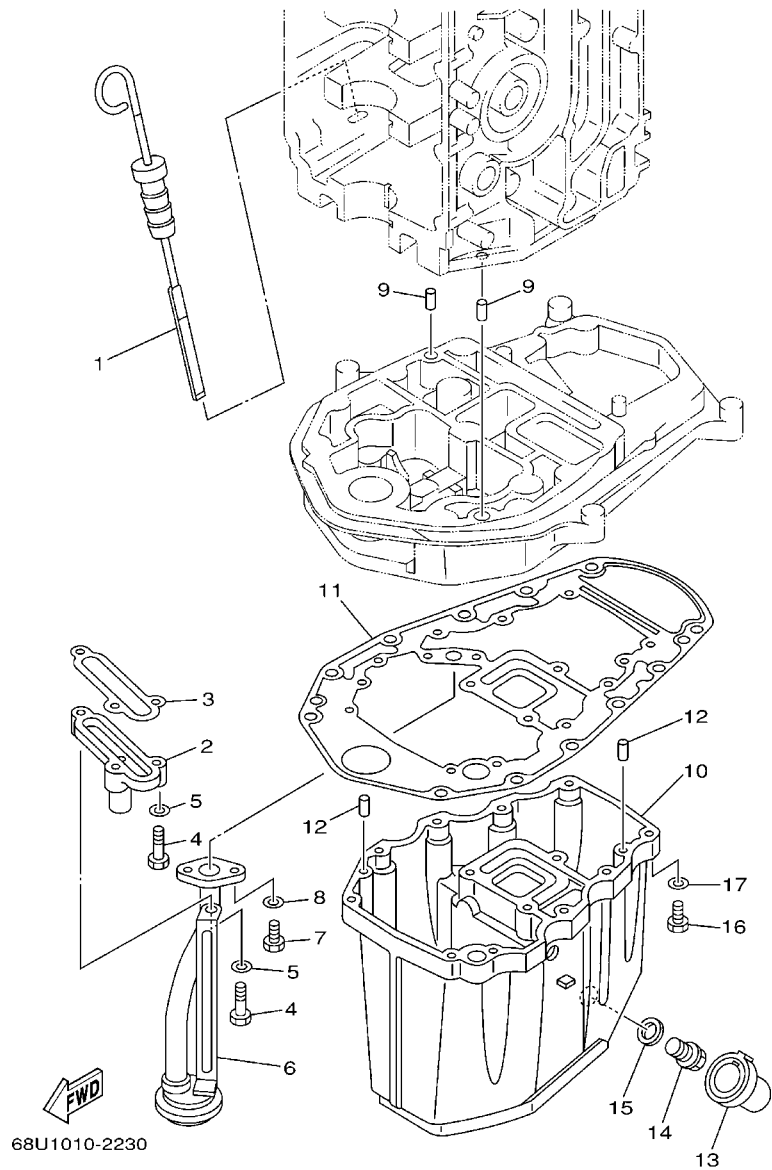
REF. NO.	PART NO.	DESCRIPTION	USA	CAN	OCE	REMARKS
1	68U-41137-01-94	GUIDE, EXHAUST	1	1	1	
2	93110-16004	OIL SEAL	1	1	1	
3	68U-41131-00-5B	MANIFOLD, EXT. 1	1	1	1	
4	67C-41133-00	GASKET, EXHAUST MANIFOLD 1	1	1	1	
5	97075-06050	BOLT	3	3	3	
6	92995-06600	WASHER	3	3	3	
7	67C-14711-12-5B	MUFFLER 1	1	1	1	
8	97075-06025	BOLT	6	6	6	
9	92995-06600	WASHER	6	6	6	
10	62Y-41134-01	GASKET, EXHAUST MANIFOLD	1	1	1	
11	62Y-45127-00	SEAL	1	1	1	
12	67C-45123-00	GASKET, MUFFLER	1	1	1	
13	67C-45111-21-4D	CASING, UPPER	1	1	1	
14	90119-08M79	BOLT, WITH WASHER	4	4	4	
15	90119-08M80	BOLT, WITH WASHER	8	8	8	
16	67C-45151-00	COVER, UPPER CASING	1	1	1	
17	97880-05016	SCREW, PAN HEAD	2	2	2	
18	92990-05600	WASHER, PLATE	2	2	2	
19	6H3-45155-00	CAP	1	1	1	
20	679-45318-00	BUSHING, DRIVE SHAFT	1	1	1	
21	90387-23002	COLLAR	1	1	1	
22	93420-36M01	CIRCLIP	1	1	1	
23	90340-14M06	PLUG, STRAIGHT SCREW	1	1	1	
24	90430-14M09	GASKET	1	1	1	
25	63D-45211-02-4D	EXTENSION			1	X
26	93606-12019	PIN, DOWEL			2	X
27	90116-10M53	BOLT, STUD			4	X

FIG. 20 UPPER CASING



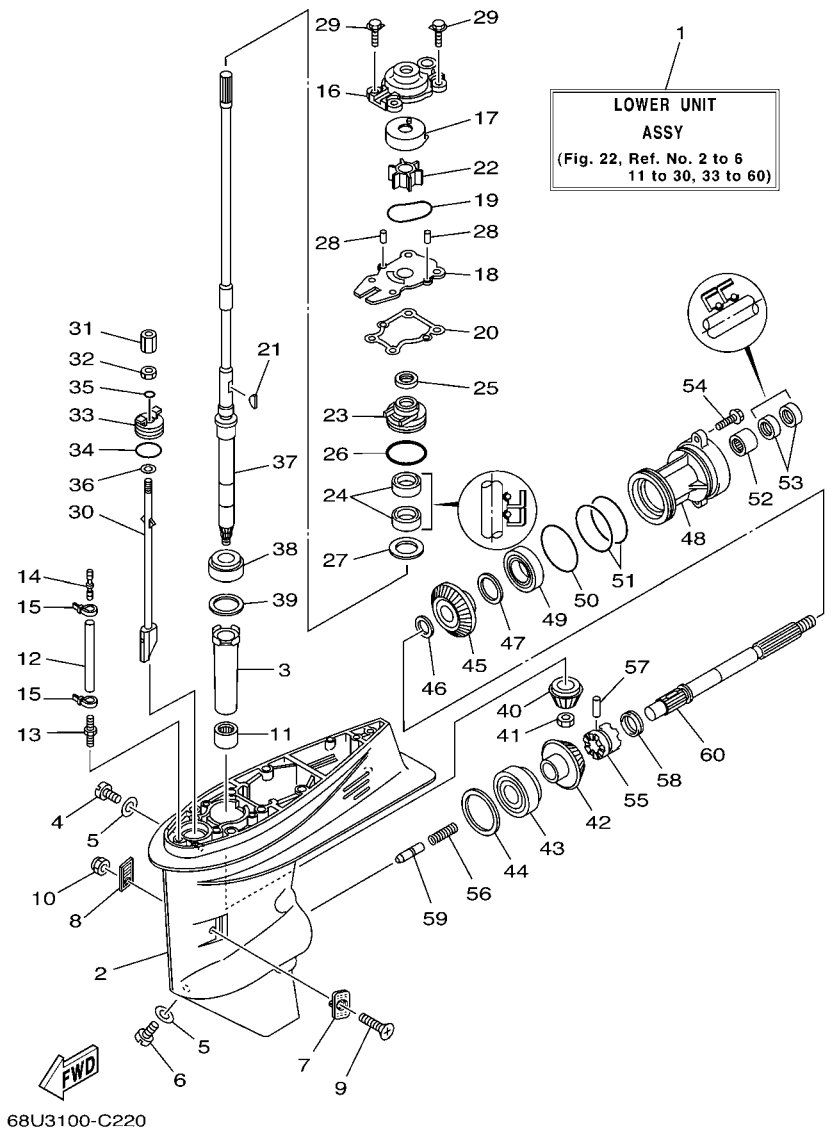
REF. NO.	PART NO.	DESCRIPTION	USA	CAN	OCE	REMARKS
28	95380-10600	NUT			4	X
29	92990-10100	WASHER, SPRING			4	X
30	92990-10600	WASHER, PLATE			4	X
31	90119-08M00	BOLT, WITH WASHER			1	X

FIG. 21 OIL PAN



68U1010-2230

REF. NO.	PART NO.	DESCRIPTION	USA	CAN	OCE	REMARKS
1	65W-15362-01	PLUG, OIL LEVEL	1	1	1	
2	62Y-11575-00	RELIEF VALVE ASSY	1	1	1	
3	62Y-13475-00	GASKET	1	1	1	
4	97013-06025	BOLT	3	3	3	
5	92903-06600	WASHER, PLATE	3	3	3	
6	62Y-13411-00	STRAINER, OIL	1	1	1	
7	97013-06016	BOLT	2	2	2	
8	92903-06600	WASHER, PLATE	2	2	2	
9	93608-12M05	PIN, DOWEL	2	2	2	
10	62Y-15311-02-5B	OIL PAN	1	1	1	
11	69W-15312-00	GASKET, OIL PAN	1	1	1	
12	93606-12019	PIN, DOWEL	4	4	4	
13	67C-15316-00	DAMPER, ENGINE MOUNT 1	1	1	1	
14	90340-14M06	PLUG, STRAIGHT SCREW	1	1	1	
15	90430-14M09	GASKET	1	1	1	
16	97075-06025	BOLT	10	10	10	
17	92995-06600	WASHER	10	10	10	



68U3100-C220

FIG. 22 LOWER CASING & DRIVE 1

REF. NO.	PART NO.	DESCRIPTION	USA	CAN	OC	REMARKS
1	68U-45300-11-4D	LOWER UNIT ASSY	1	1		L
	68U-45300-21-4D	LOWER UNIT ASSY			1	X
2	67C-45301-00-4D	CASING, LOWER	1	1	1	
3	6H4-45536-00	SLEEVE, DRIVE SHAFT	1	1	1	
4	90340-08002	PLUG, STRAIGHT SCREW	1	1	1	
5	90430-08020	GASKET	2	2	2	
6	688-45341-10	PLUG, DRAIN	1	1	1	
7	63D-45214-00	COVER, WATER INLET	1	1	1	
8	63D-45215-00	COVER, WATER INLET	1	1	1	
9	90142-05M06	SCREW, COUNTERSUNK	1	1	1	
10	95380-05600	NUT	1	1	1	
11	93315-32224	BEARING	1	1	1	
12	90445-07ME8	HOSE (L80)	1	1		L
	90445-07M31	HOSE (L200)			1	X
13	6E5-45378-00	NIPPLE, HOSE	1	1	1	
14	6E5-83558-10	END, NIPPLE	1	1	1	
15	90465-11M10	CLAMP	2	2	2	
16	66T-44311-00	HOUSING, WATER PUMP	1	1	1	
17	63D-44322-00	INSERT, CARTRIDGE	1	1	1	
18	66T-44323-00	OUTER PLATE, CARTRIDGE	1	1	1	
19	93210-59MG7	O-RING	1	1	1	
20	63D-44316-00	GASKET, WATER PUMP	1	1	1	
21	90280-03M03	KEY, WOODRUFF	1	1	1	
22	6H4-44352-02	IMPELLER	1	1	1	
23	63D-44341-00	HOUSING, WATER PUMP	1	1	1	
24	93101-22M60	OIL SEAL	2	2	2	
25	66T-45344-01	COVER, OIL SEAL	1	1	1	

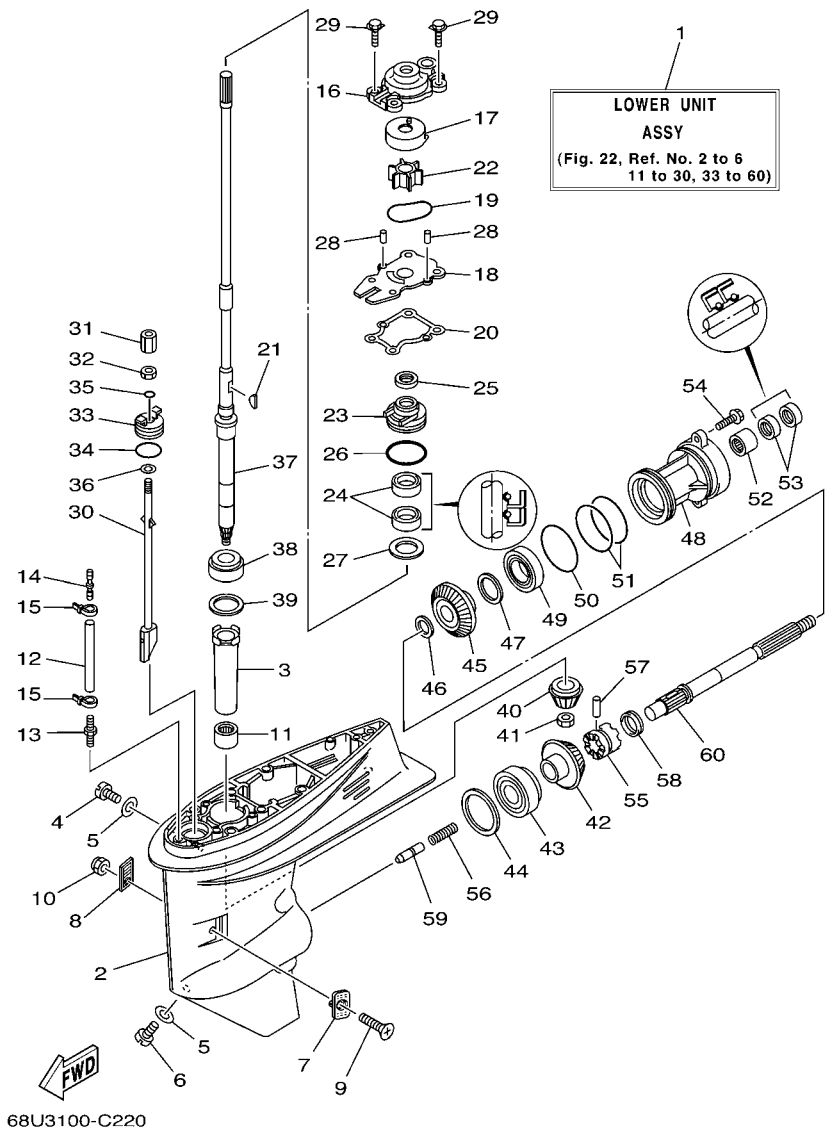


FIG. 22 LOWER CASING & DRIVE 1

REF. NO.	PART NO.	DESCRIPTION	USA	CAN	OCÉ	REMARKS
26	93210-48MG8	O-RING	1	1	1	
27	90201-27M00	WASHER, PLATE	1	1	1	
28	93604-08062	PIN, DOWEL	2	2	2	
29	90119-08M15	BOLT, WITH WASHER	4	4	4	
30	67C-44150-10	SHIFT CAM ASSY	1	1		L
	67C-44150-20	SHIFT CAM ASSY			1	X
31	67C-44146-00	CONNECTOR, SHIFT ROD	1	1	1	
32	95380-06700	NUT	1	1	1	
33	68U-45321-00	PLATE	1	1	1	
34	93210-33MG4	O-RING	1	1	1	
35	93210-06ME6	O-RING	1	1	1	
36	92990-06600	WASHER, PLATE	1	1	1	
37	68U-45501-11	DRIVE SHAFT COMP.	1	1		L
	68U-45501-21	DRIVE SHAFT COMP.			1	X
38	93332-00001	BEARING	1	1	1	
39	663-45587-01	SHIM (T:0.10MM)	1	1	1	UR
	663-45587-10	SHIM (T:0.12MM)	1	1	1	UR
	663-45587-20	SHIM (T:0.15MM)	1	1	1	UR
	663-45587-30	SHIM (T:0.18MM)	1	1	1	UR
	663-45587-40	SHIM (T:0.30MM)	1	1	1	UR
	663-45587-50	SHIM (T:0.40MM)	1	1	1	UR
	663-45587-60	SHIM (T:0.50MM)	1	1	1	UR
40	68U-45551-00	PINION (12T)	1	1	1	
41	90179-10M38	NUT	1	1	1	
42	68U-45560-00	GEAR 1 (29T)	1	1	1	
43	93332-00003	BEARING	1	1	1	
44	663-45567-01	SHIM (T:0.10MM)	1	1	1	UR

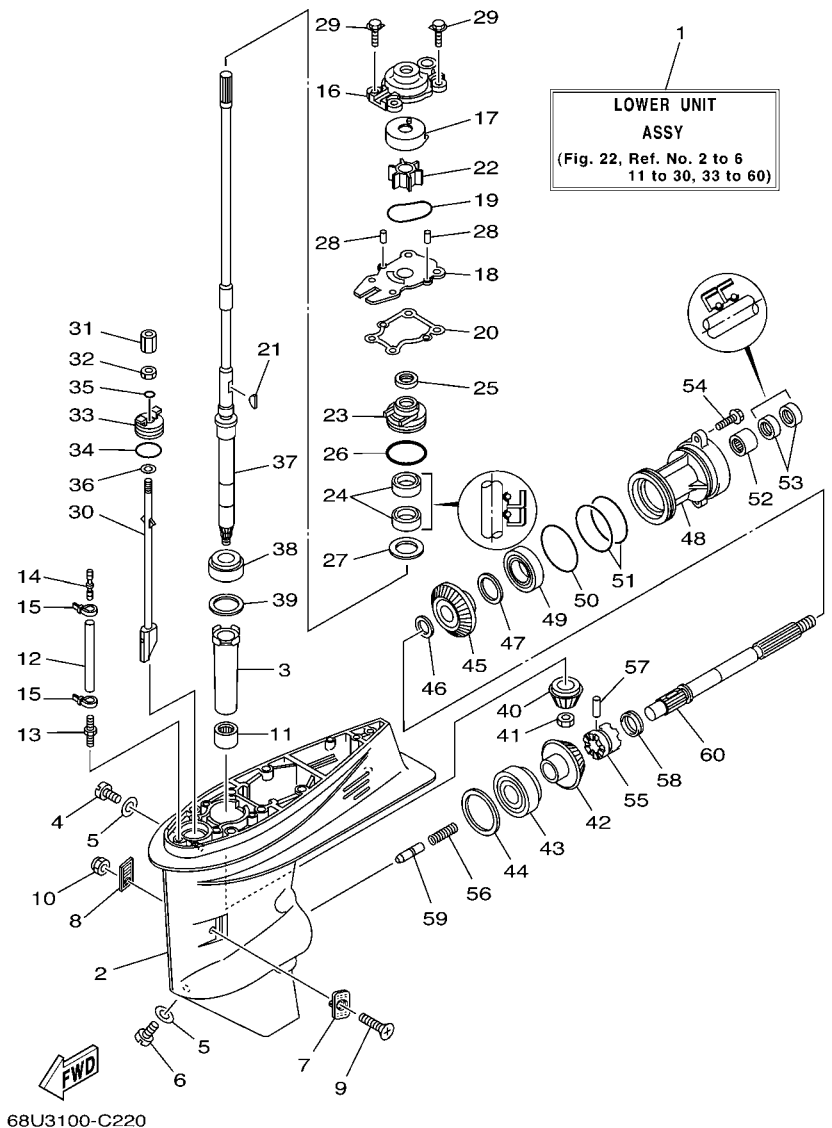
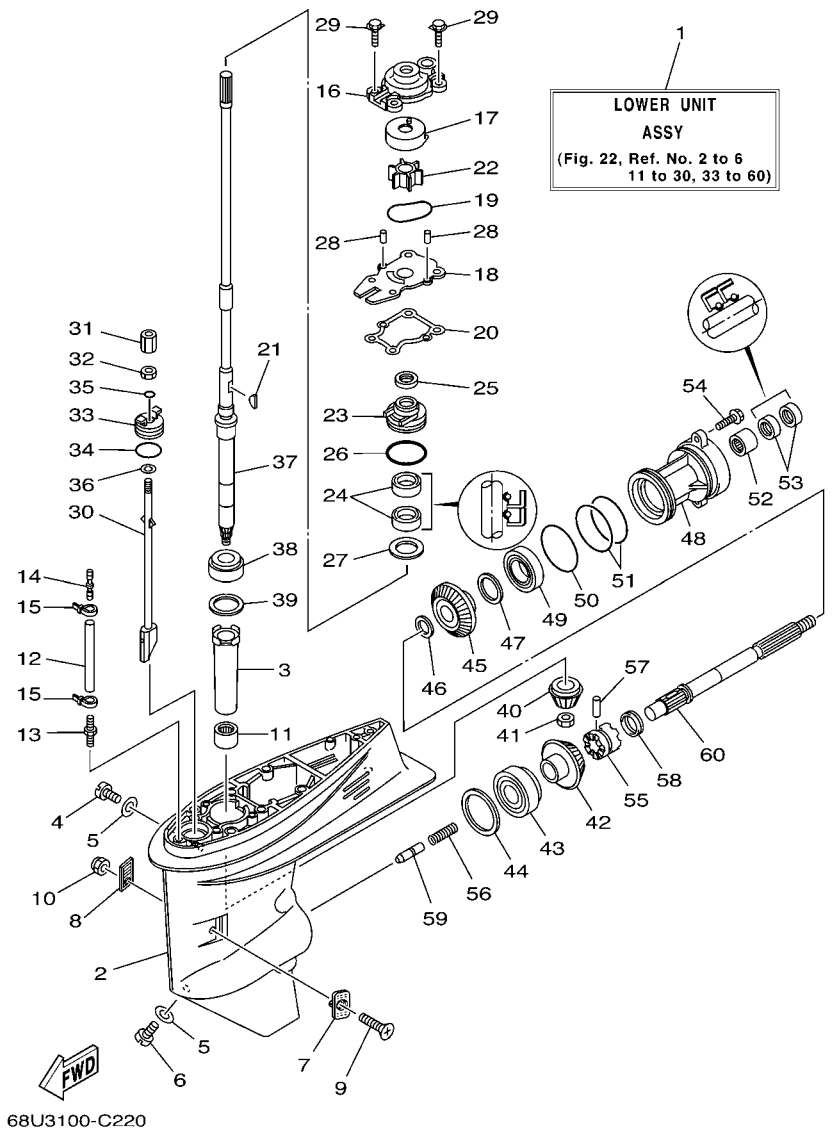


FIG. 22 LOWER CASING & DRIVE 1

REF. NO.	PART NO.	DESCRIPTION	USA	CAN	OCE	REMARKS
44	663-45567-10	SHIM (T:0.12MM)	1	1	1	UR
	663-45567-20	SHIM (T:0.15MM)	1	1	1	UR
	663-45567-30	SHIM (T:0.18MM)	1	1	1	UR
	663-45567-40	SHIM (T:0.30MM)	1	1	1	UR
	663-45567-50	SHIM (T:0.40MM)	1	1	1	UR
	663-45567-60	SHIM (T:0.50MM)	1	1	1	UR
45	68U-45571-00	GEAR 2 (29T)	1	1	1	
46	90201-22429	WASHER, PLATE	1	1	1	
47	63D-45577-00	SHIM (T:0.10MM)	1	1	1	UR
	63D-45577-10	SHIM (T:0.12MM)	1	1	1	UR
	63D-45577-20	SHIM (T:0.15MM)	1	1	1	UR
	63D-45577-30	SHIM (T:0.18MM)	1	1	1	UR
	63D-45577-40	SHIM (T:0.30MM)	1	1	1	UR
	63D-45577-50	SHIM (T:0.40MM)	1	1	1	UR
	63D-45577-60	SHIM (T:0.50MM)	1	1	1	UR
48	63D-45361-02-4D	CAP, LOWER CASING	1	1	1	
49	93306-001U1	BEARING	1	1	1	
50	93210-69MG6	O-RING	1	1	1	
51	93210-74MG5	O-RING	2	2	2	
52	93317-22204	BEARING	1	1	1	
53	93101-22M00	OIL SEAL	2	2	2	
54	90105-08M61	BOLT, FLANGE	2	2	2	
55	68U-45631-00	CLUTCH, DOG	1	1	1	
56	90501-15M01	SPRING, COMPRESSION	1	1	1	
57	90250-06023	PIN, STRAIGHT	1	1	1	
58	67C-45633-00	RING, CROSS PIN	1	1	1	
59	66T-45635-00	PLUNGER, SHIFT	1	1	1	

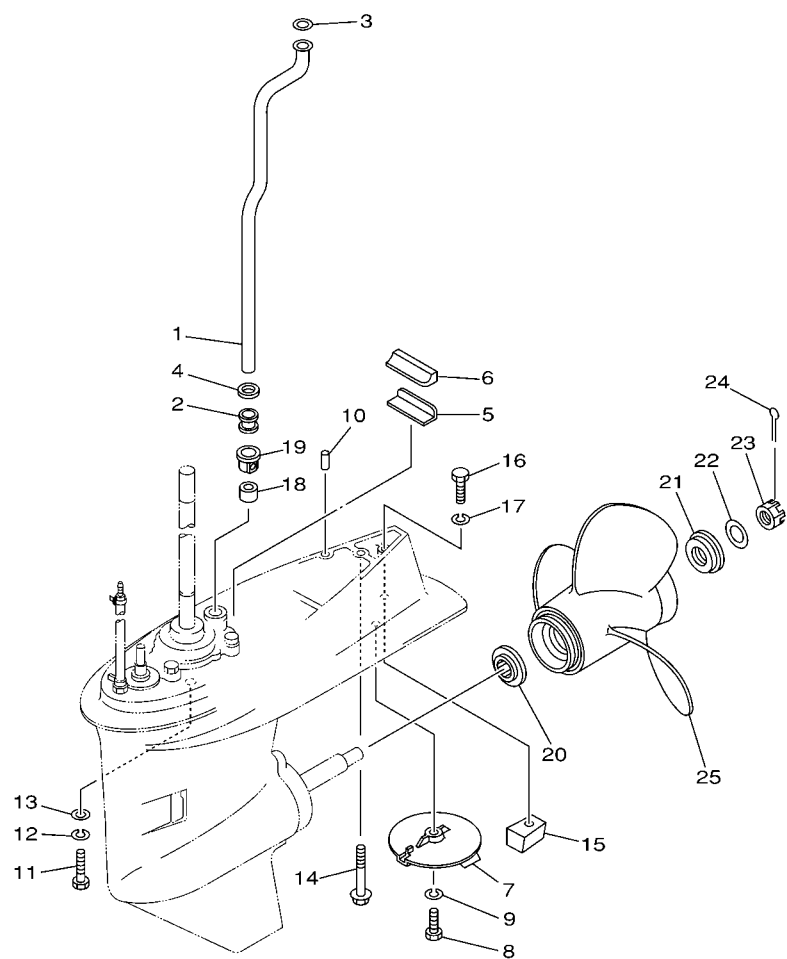


68U3100-C220

FIG. 22 LOWER CASING & DRIVE 1

REF. NO.	PART NO.	DESCRIPTION	USA	CAN	OCE	REMARKS
60	66T-45611-00	SHAFT, PROPELLER	1	1	1	

FIG. 23 LOWER CASING & DRIVE 2




68U0010-0250

REF. NO.	PART NO.	DESCRIPTION	USA	CAN	OCE	REMARKS
1	62Y-44361-00	TUBE, WATER	1	1		L
	62Y-44361-20	TUBE, WATER			1	X
2	663-44367-00	DAMPER, WATER SEAL	1	1	1	
3	90202-12060	WASHER, PLATE	1	1	1	
4	90430-12072	GASKET	1	1	1	
5	663-45376-00-94	GUIDE, SEAL DAMPER	1	1	1	
6	63D-45375-00	DAMPER, SEAL	1	1	1	
7	67C-45371-00	TAB-TRIM	1	1	1	
8	97095-08025	BOLT	1	1	1	
9	92995-08100	WASHER	1	1	1	
10	93606-12019	PIN, DOWEL	2	2	2	
11	97075-10040	BOLT	4	4		L
12	92995-10100	WASHER	4	4		L
13	92995-10600	WASHER	4	4		L
14	90119-08M44	BOLT, WITH WASHER	1	1		L
15	67C-45251-00	ANODE	1	1	1	
16	97095-08035	BOLT	1	1	1	
17	92995-08100	WASHER	1	1	1	
18	663-44366-00	DAMPER, WATER SEAL	1	1	1	
19	63D-44312-00	COVER, WATER PUMP HOUSING	1	1	1	
20	663-45987-02	SPACER	1	1	1	
21	68U-45997-00	SPACER	1	1	1	
22	92990-16200	WASHER, PLAIN	1	1	1	
23	90171-16011	NUT, CASTLE	1	1	1	
24	91490-30025	PIN, COTTER	1	1	1	
25	68U-45941-00-EL	PROPELLER (3X12-1/4"X9"-G)	1	1	1	

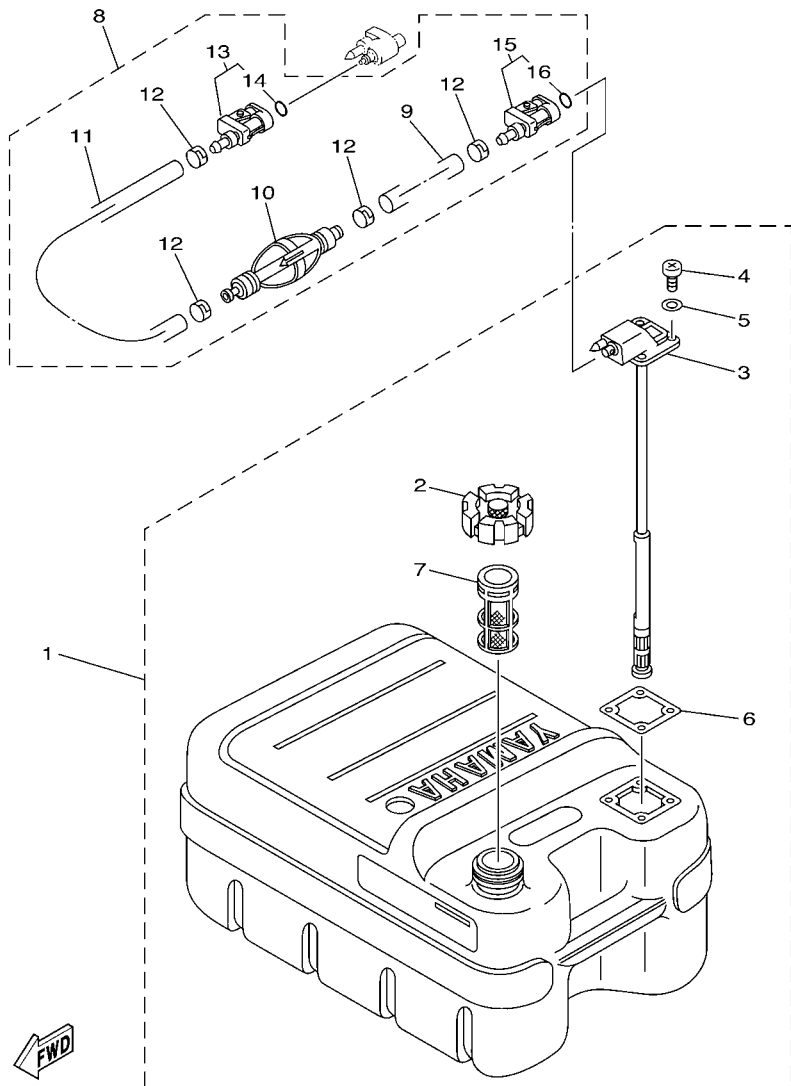
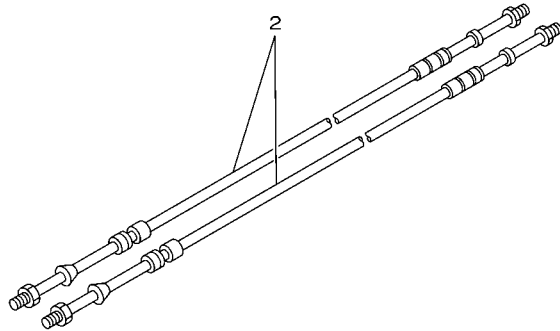
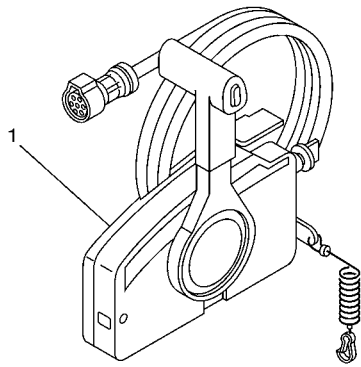


FIG. 24 FUEL TANK

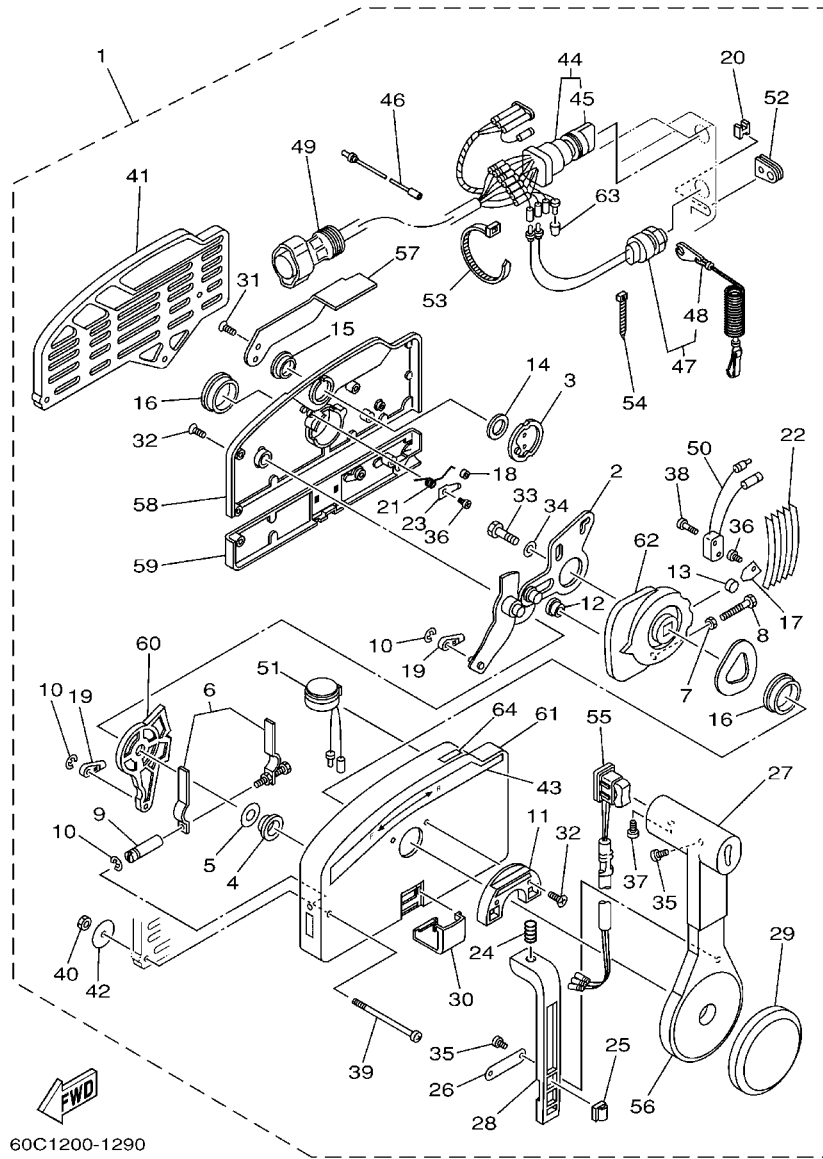
REF. NO.	PART NO.	DESCRIPTION	USA	CAN	OC	REMARKS
1	6YJ-24201-50	FUEL TANK ASSY (24L)		1		AP
	6YJ-24201-10	FUEL TANK ASSY (24L)			1	AP
2	6YJ-24610-01	.CAP ASSY		1	1	
3	6Y1-24260-12	.FUEL METER ASSY		1	1	WITH INDICATOR
4	98586-05016	.SCREW, PAN HEAD		4	4	
5	6Y1-24329-00	.SEAL		4	4	
6	6Y1-24268-00	.GASKET, FUEL METER		1	1	
7	6YJ-24167-00	.STRAINER		1	1	
8	6Y1-24306-54	FUEL PIPE COMP. 1		1		AP
	61J-24306-03	FUEL PIPE COMP. 1			1	AP
9	90445-11M06	.HOSE (L2050)		1	1	
10	6Y1-24360-52	.PRIMER PUMP ASSY		1		FOR 6Y1-24306-54
	61J-24360-00	.PRIMER PUMP ASSY			1	FOR 61J-24306-03
11	90445-11M05	.HOSE (L850)		1	1	
12	650-24351-51	.BAND 1		4		FOR 6Y1-24306-54
	650-24351-01	.BAND 1			4	FOR 61J-24306-03
13	6G1-24305-04	.FUEL PIPE JOINT COMP. 2		1	1	
14	93210-08287	.O-RING		1	1	
15	6Y1-24305-05	.FUEL PIPE JOINT COMP. 2		1	1	
16	93210-08287	.O-RING		1	1	



67M0100-8280

FIG. 26 REMOTE CONTROL BOX

REF. NO.	PART NO.	DESCRIPTION	USA	CAN	OCE	REMARKS
1	703-48205-A5	REMOTE CONTROL ASSY (10P)	1	1	1	AP WITH PT/T SW.
2	701-48310-90	CABLE, REMOTE CONTROL L=11F	2	2	2	UR
	701-48320-00	CABLE, REMOTE CONTROL L=12F	2	2	2	UR
	701-48320-20	CABLE, REMOTE CONTROL L=13F	2	2	2	UR
	701-48320-50	CABLE, REMOTE CONTROL L=15F	2	2	2	UR



60C1200-1290

FIG. 27 REMOTE CONTROL ASSY

REF. NO.	PART NO.	DESCRIPTION	USA	CAN	OCE	REMARKS
1	703-48205-A5	REMOTE CONTROL ASSY (10P)	1	1	1	AP WITH PT/T SW.
2	703-48261-01	.ARM, THROTTLE	1	1	1	
3	703-48153-00	.SHAFT, FREE ACCEL.	1	1	1	
4	703-48235-00	.BUSHING	1	1	1	
5	703-48268-00	.SPACER	1	1	1	
6	703-48264-00	.FRICTION, THROTTLE	1	1	1	
7	95380-05600	.NUT	1	1	1	
8	97380-05025	.BOLT	1	1	1	
9	703-48265-00	.SHAFT, FRICTION	1	1	1	
10	93430-06024	.CIRCLIP	3	3	3	
11	703-48245-00	.PLATE, LOCK	1	1	1	
12	703-48252-00	.ROLLER, CAM	1	1	1	
13	701-48248-00	.ROLLER, FREE ACCEL.	1	1	1	
14	703-48198-00	.WASHER, WAVE	1	1	1	
15	703-48243-00	.BUSHING	1	1	1	
16	703-48236-00	.BUSHING 1	2	2	2	
17	703-48189-00	.RETAINER	1	1	1	
18	703-48234-00	.ROLLER, DETENT	1	1	1	
19	703-48345-01	.CABLE END, REMOTE CONTROL 2	2	2	2	
20	703-48358-00	.ANCHOR, CABLE	1	1	1	
21	703-48244-00	.SPRING, FREE ACCEL.	1	1	1	
22	703-48238-00	.SPRING, DETENT	5	5	5	
23	703-48246-00	.SPACER	1	1	1	
24	703-48227-00	.SPRING, NEUTRAL LOCK	1	1	1	
25	703-82594-00	.CLAMP	1	1	1	WITH PT/T SW.
26	703-48226-00	.PLATE, STOPPER	1	1	1	
27	703-48222-00	.GRIP, CONTROL LEVER	1	1	1	SINGLE

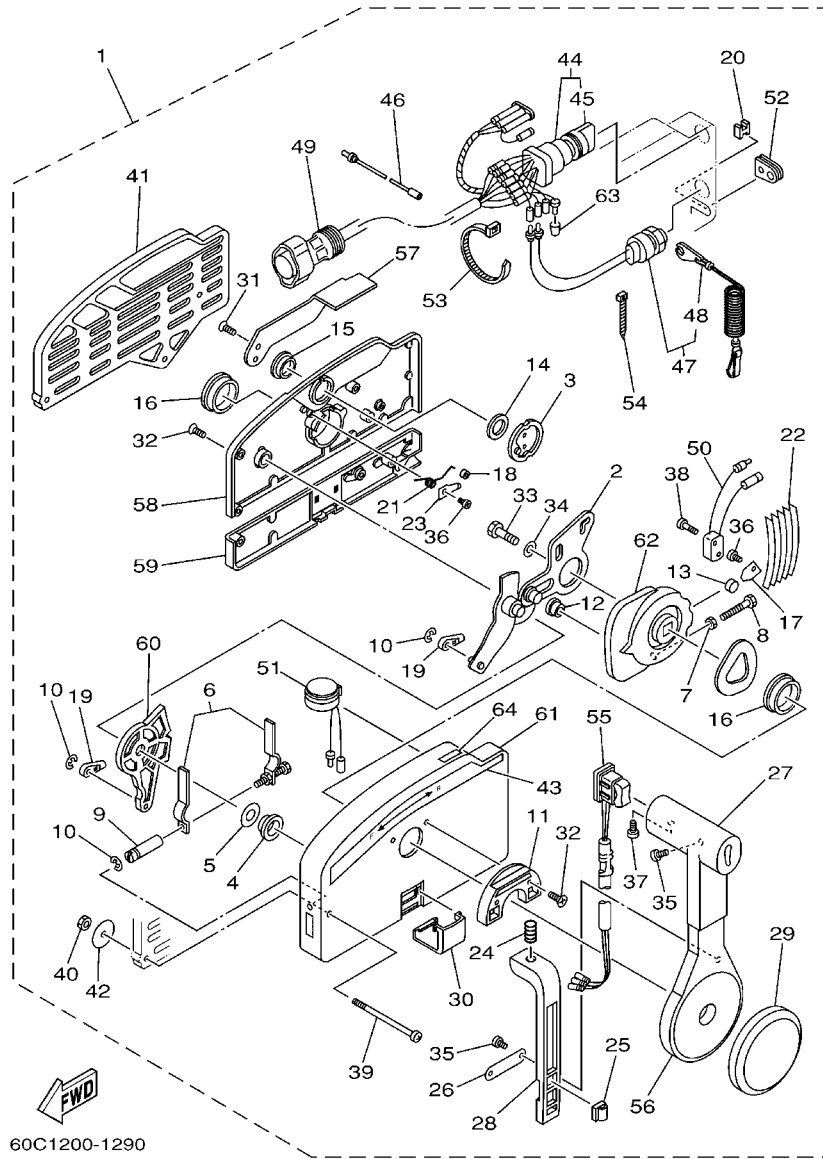
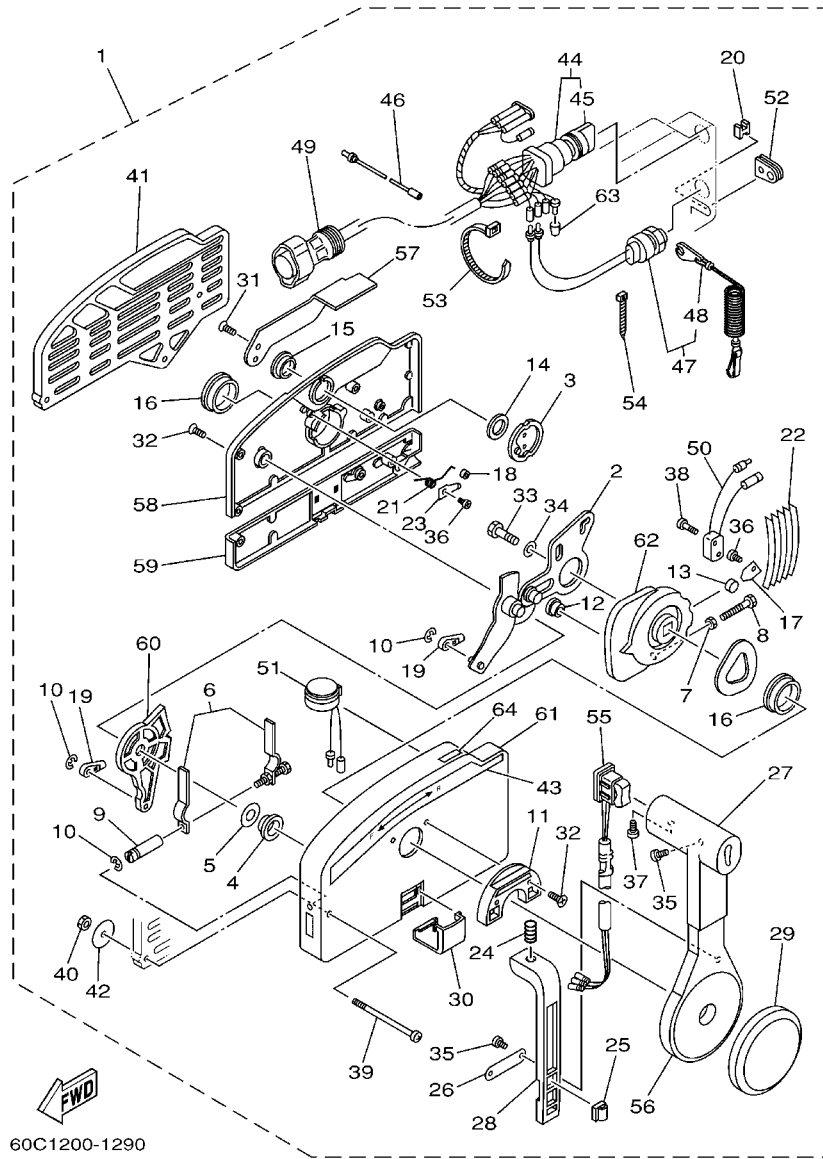


FIG. 27 REMOTE CONTROL ASSY

REF. NO.	PART NO.	DESCRIPTION	USA	CAN	OCÉ	REMARKS
28	703-48223-00	.LOCK, NEUTRAL	1	1	1	
29	703-48225-00	.COVER	1	1	1	
30	703-48219-00	.COVER, LEAD	1	1	1	
31	703-48281-00	.SCREW	2	2	2	
32	703-48282-00	.SCREW	7	7	7	
33	97380-08030	.BOLT	1	1	1	
34	92990-08600	.WASHER, PLATE	1	1	1	
35	98580-04010	.SCREW, PAN HEAD	3	3	3	
36	98580-04006	.SCREW, PAN HEAD	2	2	2	
37	98580-05010	.SCREW, PAN HEAD	1	1	1	
38	98580-03015	.SCREW, PAN HEAD	2	2	2	
39	703-48291-10	.SCREW (M6)	3	3	3	
40	95380-06600	.NUT, HEXAGON	3	3	3	
41	703-48293-10	.SPACER, REMOTE CONTROL	1	1	1	SINGLE
42	701-48287-00	.WASHER	3	3	3	
43	703-48215-00	.GRAPHIC	1	1	1	
44	703-82510-12	.MAIN SWITCH ASSY	1	1	1	PRIME START
45	676-82577-00	..CAP, KEY	1	1	1	
46	703-82531-00	.WIRE, LEAD	1	1	1	
47	688-82575-01	.ENGINE STOP SWITCH ASSY	1	1	1	
48	682-82556-00	..STOPPER	1	1	1	
49	688-8258A-20	.EXTENSION, WIRE HARNESS	1	1	1	L:5M (10P)
50	703-82540-00	.NEUTRAL SWITCH ASSY	1	1	1	
51	703-83383-B0	.BUZZER	1	1	1	
52	703-48284-00	.GROMMET	1	1	1	
53	703-82591-00	.BAND	1	1	1	
54	703-82592-00	.BAND	1	1	1	

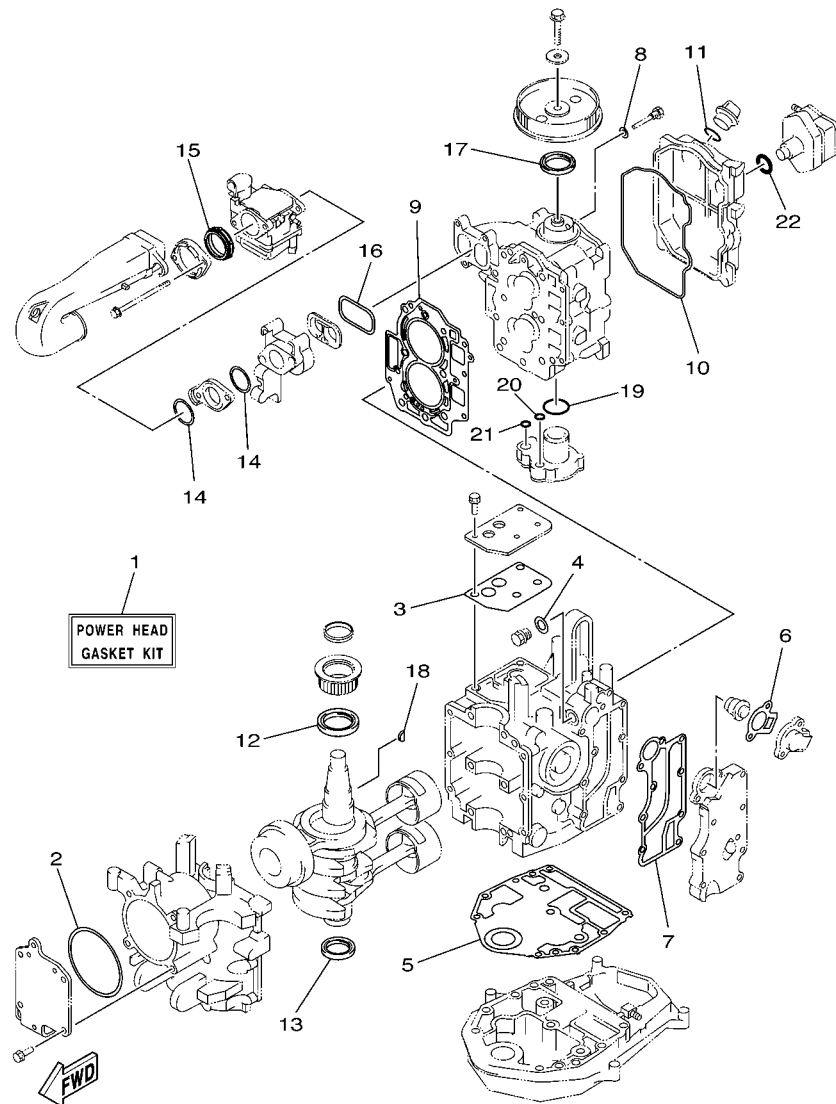


60C1200-1290

FIG. 27 REMOTE CONTROL ASSY

REF. NO.	PART NO.	DESCRIPTION	USA	CAN	OCE	REMARKS
55	703-82563-02	.TRIM & TILT SWITCH ASSY	1	1	1	WITH PT/T SW.
56	703-48221-00	.LEVER, CONTROL	1	1	1	
57	703-48152-00	.KNOB, FREE ACCEL.	1	1	1	
58	703-48212-00	.BACK PLATE 1	1	1	1	
59	703-48213-00	.BACK PLATE 2	1	1	1	
60	703-48271-00	.ARM, SHIFT	1	1	1	
61	703-48211-01	.HOUSING,1	1	1	1	
62	703-48232-00	.GEAR	1	1	1	
63	703-82542-00	.CAP	1	1	1	
64	703-48218-00	.GRAPHIC	1	1	1	

FIG. 28 REPAIR KIT 1



68U2100-3290

REF. NO.	PART NO.	DESCRIPTION	USA	CAN	OCE	REMARKS
1	6D5-W0001-00	POWER HEAD GASKET KIT	1	1	1	
2	65W-15663-00	.SEAL	1	1	1	
3	65W-11169-01	.GASKET, BREATHER COVER	1	1	1	
4	90430-14115	.GASKET	1	1	1	
5	65W-11351-10	.GASKET, CYLINDER	1	1	1	
6	62Y-12414-00	.GASKET, COVER	1	1	1	
7	65W-41114-00	.GASKET, EXHAUST OUTER COVER	1	1	1	
8	90430-06014	.GASKET	1	1	1	
9	65W-11181-30	.GASKET, CYLINDER HEAD 1	1	1	1	
10	65W-11356-00	.SEAL, CYLINDER 2	1	1	1	
11	93210-24M79	.O-RING	1	1	1	
12	93102-43004	.OIL SEAL	1	1	1	
13	93101-35002	.OIL SEAL	1	1	1	
14	65W-14198-00	.GASKET	2	2	2	
15	65W-14457-10	.SEAL	1	1	1	
16	65W-13645-00	.GASKET, MANIFOLD 1	1	1	1	
17	93102-37M40	.OIL SEAL	1	1	1	
18	90280-04M06	.KEY, WOODRUFF	1	1	1	
19	93210-33MH2	.O-RING	1	1	1	
20	93210-12MG9	.O-RING	1	1	1	
21	93210-14515	.O-RING	1	1	1	
22	93210-24M79	.O-RING	1	1	1	

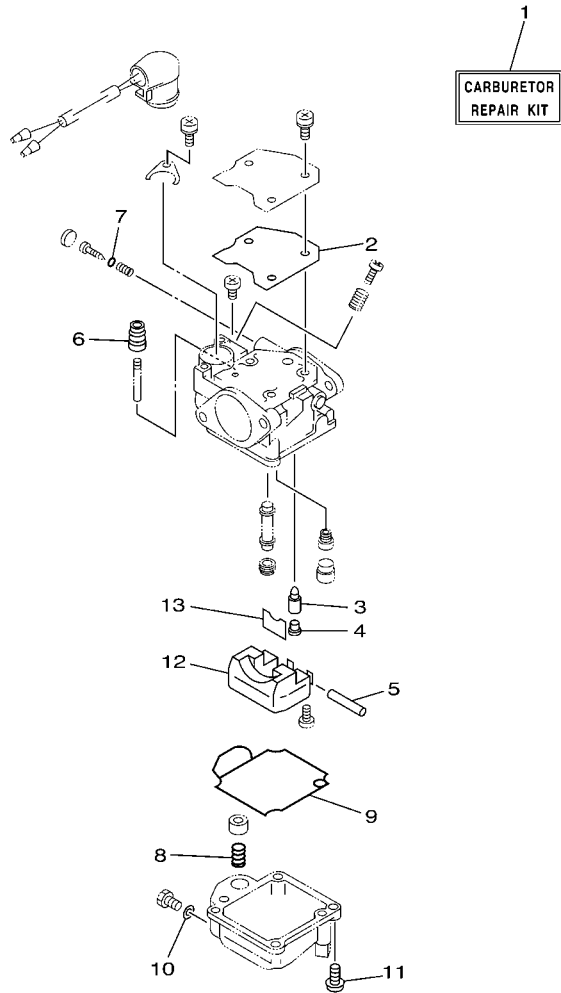


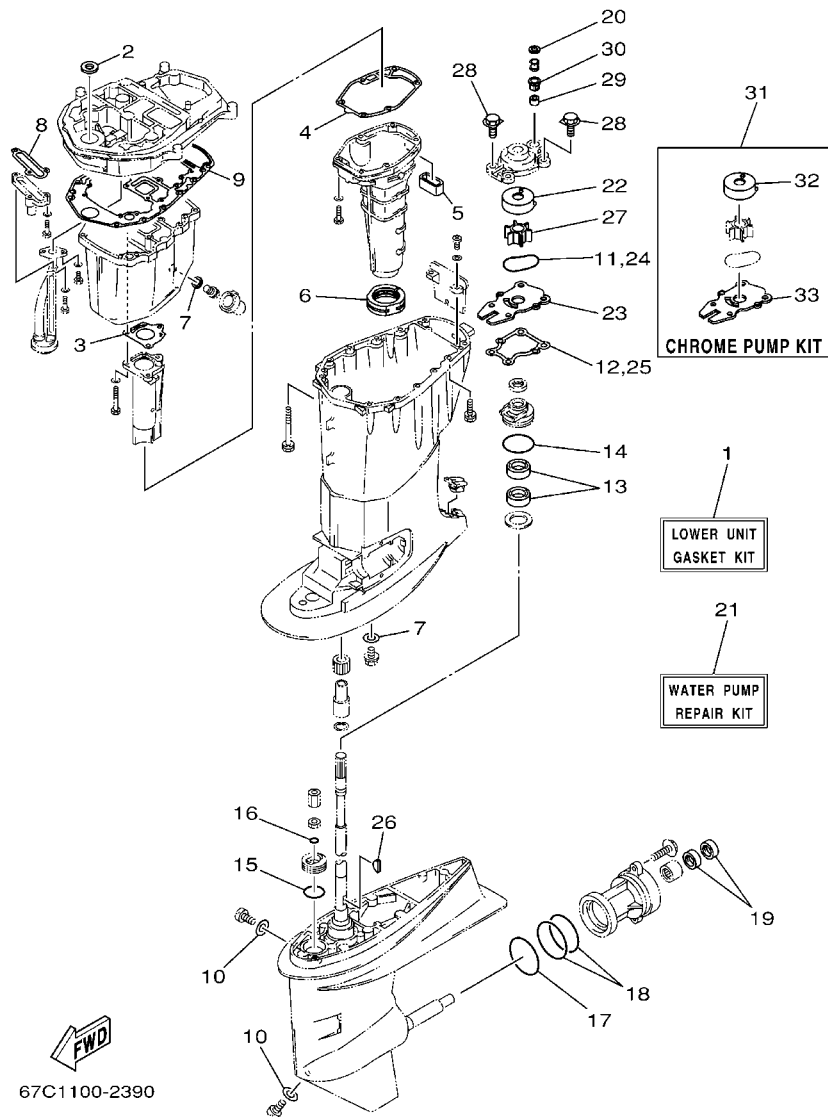
FIG. 29 REPAIR KIT 2

REF. NO.	PART NO.	DESCRIPTION	USA	CAN	OCE	REMARKS
1	65W-W0093-01	CARBURETOR REPAIR KIT	1	1	1	
2	65W-14126-00	.GASKET	1	1	1	
3	6G1-14546-01	.VALVE, NEEDLE	1	1	1	
4	676-14186-00	.PIN, FLOAT	1	1	1	
5	6H4-14548-00	.PIN, FLOAT ARM	1	1	1	
6	65W-14373-00	.COVER, PLUNGER CAP	1	1	1	
7	67C-14397-00	.O-RING	1	1	1	
8	65W-14335-00	.SPRING, PLUNGER	1	1	1	
9	65W-14384-00	.GASKET, FLOAT CHAMBER	1	1	1	
10	65W-14398-00	.GASKET	1	1	1	
11	97980-04114	.SCREW, WITH WASHER	4	4	4	
12	63V-14985-00	.FLOAT	1	1	1	
13	663-14159-00	.CLIP	1	1	1	



65W3100-C360

FIG. 30 REPAIR KIT 3



REF. NO.	PART NO.	DESCRIPTION	USA	CAN	OCE	REMARKS
1	67C-W0001-22	LOWER UNIT GASKET KIT	1	1	1	
2	93110-16004	.OIL SEAL	1	1	1	
3	67C-41133-00	.GASKET, EXHAUST MANIFOLD 1	1	1	1	
4	62Y-41134-01	.GASKET, EXHAUST MANIFOLD	1	1	1	
5	62Y-45127-00	.SEAL	1	1	1	
6	67C-45123-00	.GASKET, MUFFLER	1	1	1	
7	90430-14M09	.GASKET	2	2	2	
8	62Y-13475-00	.GASKET	1	1	1	
9	69W-15312-00	.GASKET, OIL PAN	1	1	1	
10	90430-08020	.GASKET	2	2	2	
11	93210-59MG7	.O-RING	1	1	1	
12	63D-44316-00	.GASKET, WATER PUMP	1	1	1	
13	93101-22M60	.OIL SEAL	2	2	2	
14	93210-48MG8	.O-RING	1	1	1	
15	93210-33MG4	.O-RING	1	1	1	
16	93210-06ME6	.O-RING	1	1	1	
17	93210-69MG6	.O-RING	1	1	1	
18	93210-74MG5	.O-RING	2	2	2	
19	93101-22M00	.OIL SEAL	2	2	2	
20	90430-12072	.GASKET	1	1	1	
21	66T-W0078-00	WATER PUMP REPAIR KIT	1	1	1	
22	63D-44322-00	.INSERT, CARTRIDGE	1	1	1	
23	66T-44323-00	.OUTER PLATE, CARTRIDGE	1	1	1	
24	93210-59MG7	.O-RING	1	1	1	
25	63D-44316-00	.GASKET, WATER PUMP	1	1	1	
26	90280-03M03	.KEY, WOODRUFF	1	1	1	
27	6H4-44352-02	.IMPELLER	1	1	1	

NUMERICAL INDEX

PART NO.	REF. NO.	PART NO.	REF. NO.	PART NO.	REF. NO.	PART NO.	REF. NO.	PART NO.	REF. NO.	PART NO.	REF. NO.
65W-11111-20-1S	4 - 2	62Y-12138-50	4 - 25	65W-14371-00	7 - 21	65W-15663-00	28 - 2	68U-41131-00-5B	20 - 3	68U-43311-10-4D	17 - 10
65W-11119-00	2 - 12	65W-12146-00	5 - 8	65W-14373-00	7 - 18	65W-15758-10	11 - 21	67C-41133-00	20 - 4	689-43373-01	18 - 2
62Y-11133-30	4 - 3	65W-12151-00	5 - 9		29 - 6	65W-15762-00	11 - 22		30 - 3	67C-43800-00-4D	19 - 1
65W-11168-01	2 - 9	62Y-12158-00	5 - 11	65W-14379-00	7 - 19	65W-15771-00	11 - 23	62Y-41134-01	20 - 10	6T4-43802-03	19 - 30
65W-11169-01	2 - 10	62Y-12159-00	5 - 10	65W-14380-00	7 - 27	6YJ-24167-00	24 - 7		30 - 4	CS2-43803-81	19 - 48
	28 - 3	65W-12171-01	8 - 2	65W-14384-00	7 - 22	6YJ-24201-10	24 - 1	68U-41137-01-94	20 - 1	65W-43804-00	19 - 3
65W-11181-30	4 - 15	62Y-12216-00	5 - 13		29 - 9	6YJ-24201-50	24 - 1	65W-41211-00	16 - 28	65W-43805-00	19 - 4
	28 - 9	65W-12228-00	2 - 8	67C-14397-00	7 - 30	6Y1-24260-12	24 - 3	661-41262-02	16 - 26	65W-4380F-00	19 - 12
65W-11191-00-1S	4 - 19	62Y-12231-00	5 - 14		29 - 7	6Y1-24268-00	24 - 6	65W-41283-00	16 - 25	65W-4380K-00	19 - 16
62Y-11325-00	4 - 5	62Y-12238-00	5 - 12	65W-14398-00	7 - 24	6G1-24304-02	9 - 31	68U-41638-00	16 - 24	67C-4380L-00	19 - 27
66M-11327-00-94	4 - 7	6G8-12411-03	2 - 27		29 - 10	6G1-24305-04	24 - 13	6F5-41662-00	16 - 5	65W-43810-00	19 - 17
66M-11328-00	4 - 6	6H3-12413-00-1S	2 - 28	65W-14440-00	6 - 1	6E5-24305-05	10 - 2	68U-42510-11-4D	18 - 24	65W-43812-00	19 - 18
65W-11351-10	2 - 16	62Y-12414-00	2 - 29	65W-14457-10	6 - 8	6Y1-24305-05	24 - 15	6J8-42528-00	18 - 1	6H1-43816-00	19 - 25
	28 - 5		28 - 6		28 - 15	6Y2-24305-05	10 - 4	624-42542-00	13 - 26	65W-43817-00	19 - 39
65W-11356-00	4 - 20	66M-12535-00	4 - 8	65W-14496-00	6 - 4	61J-24306-03	24 - 8	68U-42610-12-4D	1 - 1	65W-4381B-00	19 - 22
	28 - 10	69W-12535-00	15 - 36	65W-14497-01	16 - 29	6Y1-24306-54	24 - 8	65W-42613-00	1 - 2	6H1-43829-00	19 - 63
62Y-11372-01	2 - 18	68T-12572-00	15 - 35	63V-14523-00	7 - 9	6Y2-24306-55	10 - 1	6D5-42615-00	1 - 8	65W-4382A-00	19 - 47
65W-11411-01	3 - 3	6R3-12580-00	15 - 41	6G1-14546-01	7 - 13	6Y1-24329-00	24 - 5	65W-42651-01	1 - 4	65W-43830-00	19 - 36
62Y-11416-00	3 - 4	62Y-13131-01	9 - 5		29 - 3	650-24351-01	24 - 12	65W-42652-01	1 - 6	65W-43831-00	19 - 35
62Y-11416-10	3 - 4	65W-13286-00	2 - 30	6H4-14548-00	7 - 17	650-24351-51	24 - 12	65W-42677-00	1 - 15	65W-43840-00	19 - 15
62Y-11416-20	3 - 4	65W-13300-00	8 - 11		29 - 5	6E5-24351-51	10 - 7	68U-42678-10	1 - 9	62X-43841-00	19 - 33
65W-11476-00	8 - 9	65W-13323-00	6 - 3	67C-14555-00	7 - 31	61J-24360-00	24 - 10	65W-42681-20	1 - 11	65W-43843-00	19 - 56
65W-11536-10	8 - 8	62Y-13411-00	21 - 6	67C-14567-00	7 - 32	6Y1-24360-52	24 - 10	65W-42682-01	1 - 12	67F-43843-00	19 - 51
65W-11537-01	8 - 3	67F-13434-02	1 - 16	65W-14572-00	7 - 3	6Y2-24360-60	10 - 9	68U-42710-12-4D	15 - 1	6H1-43844-10	19 - 54
65W-11545-00	11 - 4	68U-13437-40	11 - 27	67C-14711-12-5B	20 - 7	62Y-24374-01	9 - 11	62Y-42716-00	15 - 6	6H1-43845-00	19 - 43
62Y-11575-00	21 - 2	68U-13437-50	11 - 27	65W-14901-01	7 - 1	65W-24377-00	6 - 12	65W-42717-00	15 - 5	6H1-43847-00	19 - 45
68U-11603-00	3 - 9	5GH-13440-00	2 - 32	65W-14901-50	7 - 1	688-24378-00	2 - 22	68U-42725-00	15 - 9	6H1-4384F-10	19 - 59
68U-11604-00	3 - 9	6G8-13444-41	15 - 44	67C-14923-00	7 - 29	62Y-24410-03	9 - 1	6G1-42725-00	11 - 15	6H1-4384G-11	19 - 49
68U-11605-00	3 - 9	6G8-13444-51	15 - 44	65W-14943-29	7 - 11	62Y-24411-02	9 - 3		15 - 22	CS2-43851-80	19 - 50
65W-11631-00-96	3 - 8	62Y-13475-00	21 - 3	65W-14947-00	7 - 10	62Y-24415-00	9 - 2	65W-42725-21	15 - 9	65W-43853-00	19 - 62
62Y-11633-00	3 - 10		30 - 8	676-14948-07	7 - 6	62Y-24423-00	9 - 4	68U-42726-00	11 - 19	6T4-43853-00	19 - 37
65W-11635-00	3 - 8	65W-13640-00	6 - 2	679-14966-00	7 - 7	62Y-24444-01	9 - 7	65W-42726-10	15 - 23	65W-43854-00	19 - 46
65W-11636-00	3 - 8	65W-13645-00	6 - 9	65W-14980-00	7 - 23	62Y-24452-00	9 - 9	6H1-42726-21	15 - 21	6H1-43856-10	19 - 53
65W-11642-11	3 - 13		28 - 16	63V-14985-00	7 - 12	62Y-24454-00	9 - 6	62Y-42727-00	15 - 10	65W-43861-00	19 - 40
62Y-11650-20	3 - 5	65W-14126-00	7 - 4		29 - 12	62Y-24471-00	9 - 8	68U-42727-00	15 - 20	6H1-43861-10	19 - 20
62Y-11654-00	3 - 6		29 - 2	65W-14992-00	7 - 25	65W-24474-10	9 - 13	65W-42738-01-4D	15 - 7	65W-43862-00	19 - 41
62Y-11656-00	3 - 7	663-14159-00	7 - 15	65W-15100-11-1S	2 - 2	65W-24481-00	9 - 24	68U-42741-00-4D	15 - 25	65W-43865-00	19 - 19
62Y-11656-10	3 - 7		29 - 13	65W-15121-01	2 - 6	61N-24521-00	9 - 18	6D5-42815-00-4D	15 - 11	6H1-43866-00	19 - 31
62Y-11656-20	3 - 7	676-14186-00	7 - 14	62Y-15311-02-5B	21 - 10	61N-24560-00	9 - 16	6D5-42816-00	15 - 16	6H1-43867-00	19 - 32
65W-11665-00	3 - 12		29 - 4	69W-15312-00	21 - 11	61N-24563-00	9 - 17	67C-43111-10-4D	17 - 1	65W-43869-00	19 - 5
67C-12111-00	5 - 1	65W-14198-00	6 - 6		30 - 9	6D5-24566-00	9 - 22	67C-43112-10-4D	17 - 2	65W-4386A-00	19 - 60
51Y-12114-00	5 - 4		28 - 14	67C-15316-00	21 - 13	6YJ-24610-01	24 - 2	6K9-43131-01	17 - 13	65W-4386K-00	19 - 6
62Y-12116-00	5 - 3	65W-14262-00	6 - 7	65W-15362-01	21 - 1	65W-26326-10	15 - 19	6K9-43139-01	18 - 7	65W-43871-00	19 - 21
30X-12117-00	5 - 5	65W-14271-00	6 - 5	6G8-15363-00	4 - 23	62Y-28100-00	9 - 39	6D5-43144-00	15 - 33	6H1-43875-00	19 - 42
30X-12118-00	5 - 6	67C-1432A-00	7 - 33	65W-15370-00	6 - 17	61H-2819R-31	9 - 38	6E5-43145-01	25 - 9	62X-43878-00	19 - 64
51Y-12119-00	5 - 7	65W-14335-00	7 - 20	65W-15370-10	6 - 18	65W-41113-10-1S	2 - 17	6G5-43145-01	17 - 17	65W-43879-00	19 - 13
62Y-12121-00	5 - 2		29 - 8	65W-15397-10	6 - 13	65W-41114-00	2 - 19	65W-43191-00	17 - 4	67C-43880-00	19 - 2
62Y-12138-40	4 - 25	65W-14346-00	7 - 28	65W-15663-00	2 - 7		28 - 7	65W-43192-00	17 - 3	67C-43881-00	19 - 8

NUMERICAL INDEX

PART NO.	REF. NO.	PART NO.	REF. NO.	PART NO.	REF. NO.	PART NO.	REF. NO.	PART NO.	REF. NO.	PART NO.	REF. NO.
65W-43882-00	19 - 7	62Y-45127-00	30 - 5	68U-45631-00	22 - 55	701-48320-00	26 - 2	703-82510-12	27 - 44	65W-W009A-15-1S	4 - 1
65W-43887-00	19 - 9	67C-45151-00	20 - 16	67C-45633-00	22 - 58	701-48320-20	26 - 2	65W-8252V-00	12 - 2	65W-W009B-12-1S	2 - 1
65W-43888-00	19 - 28	6H3-45155-00	20 - 19	66T-45635-00	22 - 59	701-48320-50	26 - 2	65W-8252V-10	12 - 6	90101-06020	17 - 34
65W-4388E-00	19 - 14	63D-45211-02-4D	20 - 25	68U-45941-00-EL	23 - 25	663-48344-00	16 - 22	703-82531-00	27 - 46	90101-08M15	18 - 26
65W-43891-00	19 - 11	63D-45214-00	22 - 7	663-45987-02	23 - 20	703-48345-01	27 - 19	65W-82532-00	12 - 19	90101-09M01	25 - 7
65W-43892-00	19 - 10	63D-45215-00	22 - 8	68U-45997-00	23 - 21	703-48358-00	27 - 20	703-82540-00	27 - 50	90101-12M65	17 - 40
65W-44116-00	16 - 7	65W-45251-00	17 - 33	65W-46241-00	8 - 7	65W-48511-00	18 - 46	703-82542-00	27 - 63	90105-06M18	18 - 3
65W-44121-00	16 - 2	67C-45251-00	23 - 15	703-48152-00	27 - 57	6H3-48538-00	16 - 1	682-82556-00	27 - 48	90105-08M61	22 - 54
65W-44122-00	16 - 3	68U-45300-11-4D	22 - 1	703-48153-00	27 - 3	65W-61350-00	25 - 1	703-82563-02	27 - 55	90105-08M87	2 - 13
68U-44125-00	16 - 13	68U-45300-21-4D	22 - 1	703-48189-00	27 - 17	65W-61351-00	25 - 2	6H1-82563-10	13 - 33	90109-06M65	4 - 14
65W-44142-00	16 - 11	67C-45301-00-4D	22 - 2	703-48198-00	27 - 14	65W-81337-00	11 - 11	688-82575-01	27 - 47	90109-06M81	16 - 6
68U-44143-10	16 - 9	679-45318-00	20 - 20	703-48205-A5	26 - 1	65W-81639-00	11 - 12	676-82577-00	27 - 45	90109-06M82	15 - 8
67C-44146-00	22 - 31	68U-45321-00	22 - 33		27 - 1	65W-81800-02	14 - 1	6E5-82587-00	13 - 34	90109-06M86	13 - 36
67C-44150-10	22 - 30	688-45341-10	22 - 6	703-48211-01	27 - 61	65W-81801-00	14 - 8	688-8258A-20	27 - 49		15 - 32
67C-44150-20	22 - 30	66T-45344-01	22 - 25	703-48212-00	27 - 58	65W-81807-00	14 - 5	68U-82590-20	13 - 7		16 - 8
65W-44192-00	16 - 18	63D-45361-02-4D	22 - 48	703-48213-00	27 - 59	65W-81820-00	14 - 7	65W-82590-30	13 - 7	90109-06MA4	1 - 5
66T-44311-00	22 - 16	67C-45371-00	23 - 7	703-48215-00	27 - 43	65W-81826-00	14 - 2	703-82591-00	27 - 53	90109-08M63	5 - 15
63D-44312-00	23 - 19	63D-45375-00	23 - 6	703-48218-00	27 - 64	65W-8182A-00	12 - 23	703-82592-00	27 - 54	90109-08M77	14 - 12
	30 - 30	663-45376-00-94	23 - 5	703-48219-00	27 - 30	65W-8182B-00	12 - 24	703-82594-00	27 - 25	90109-08M78	14 - 13
63D-44316-00	22 - 20	6E5-45378-00	22 - 13	703-48221-00	27 - 56	65W-8182S-00	14 - 10	65W-82594-10	11 - 17	90109-12MA3	18 - 40
	30 - 12	68U-45501-11	22 - 37	703-48222-00	27 - 27	703-83383-B0	14 - 4	90110-10M02	27 - 51	90110-10M02	17 - 30
63D-44322-00	22 - 17	68U-45501-21	22 - 37	703-48223-00	27 - 28	65W-81840-00	14 - 9	65W-8339X-00	12 - 29	90116-10M53	20 - 27
	30 - 22	6H4-45536-00	22 - 3	703-48225-00	27 - 29	65W-81850-02	14 - 6	6K3-83557-00	12 - 14	90116-10M70	18 - 9
63D-44322-40	30 - 32	68U-45551-00	22 - 40	703-48226-00	27 - 26	65W-81857-02	14 - 3	6N7-83557-00	13 - 10	90119-06M08	15 - 2
66T-44323-00	22 - 18	68U-45560-00	22 - 42	703-48227-00	27 - 24	65W-8191C-00	12 - 21	6E5-83558-00	18 - 21	90119-06MA3	4 - 18
	30 - 23	663-45567-01	22 - 44	703-48232-00	27 - 62	65W-81922-00	12 - 22	6E5-83558-10	22 - 14	90119-06MA5	2 - 5
66T-44323-40	30 - 33	663-45567-10	22 - 44	703-48234-00	27 - 18	65W-81941-00	12 - 20	62Y-83614-00	13 - 35		8 - 15
63D-44341-00	22 - 23	663-45567-20	22 - 44	703-48235-00	27 - 4	65W-81948-00	13 - 24	6A1-83625-41	11 - 28	90119-08M00	20 - 31
6H4-44352-02	22 - 22	663-45567-30	22 - 44	703-48236-00	27 - 16	65W-81949-00	13 - 29	6A1-83625-51	11 - 29	90119-08M01	2 - 4
	30 - 27	663-45567-40	22 - 44	703-48238-00	27 - 22	61A-81950-00	13 - 21	67H-83672-00	18 - 5	90119-08M15	22 - 29
62Y-44361-00	23 - 1	663-45567-50	22 - 44	703-48243-00	27 - 15	65W-81960-10	12 - 13	65W-84342-00	11 - 16		30 - 28
62Y-44361-20	23 - 1	663-45567-60	22 - 44	703-48244-00	27 - 21	65W-82105-00	13 - 6	65W-85410-01	11 - 19	90119-08M39	14 - 11
663-44366-00	23 - 18	68U-45571-00	22 - 45	703-48245-00	27 - 11	68U-82105-U0	13 - 6	65W-85510-10	11 - 2	90119-08M44	23 - 14
	30 - 29	63D-45577-00	22 - 47	703-48246-00	27 - 23	65W-82117-00	12 - 27	65W-85540-20	12 - 1	90119-08M79	20 - 14
663-44367-00	23 - 2	63D-45577-10	22 - 47	701-48248-00	27 - 13	682-82119-01	13 - 30	65W-85542-00	12 - 3	90119-08M80	20 - 15
6H3-44391-01	15 - 18	63D-45577-20	22 - 47	703-48252-00	27 - 12	6G5-82119-10	12 - 28	65W-85547-00	12 - 4	90119-09M00	4 - 17
67C-44514-10-4D	18 - 25	63D-45577-30	22 - 47	703-48261-01	27 - 2	65W-82127-00	12 - 18	65W-85550-01	11 - 1	90142-05M06	22 - 9
66T-44526-30	18 - 27	63D-45577-40	22 - 47	703-48264-00	27 - 6	6U0-82127-00	17 - 36	65W-85570-01	12 - 7	90167-06002	15 - 37
67C-44551-10-4D	18 - 31	63D-45577-50	22 - 47	703-48265-00	27 - 9	67C-82127-10	18 - 18	65W-85580-00	11 - 3	90170-09M03	25 - 5
67C-44552-01-4D	18 - 36	63D-45577-60	22 - 47	703-48268-00	27 - 5	6H1-82148-00	17 - 25	65W-85757-00	13 - 2	90170-20137	3 - 14
67C-44553-00-4D	18 - 33	663-45587-01	22 - 39	703-48271-00	27 - 60	6G8-82150-00	13 - 15	65W-85790-00	13 - 1		11 - 6
67C-44555-11-94	18 - 39	663-45587-10	22 - 39	703-48281-00	27 - 31	663-82151-00	13 - 16	65W-86129-20	12 - 5	90171-16011	23 - 23
68U-44555-11-94	18 - 39	663-45587-20	22 - 39	703-48282-00	27 - 32	6G5-82152-00	13 - 17	6D5-W0001-00	28 - 1	90179-10M38	22 - 41
67C-44575-00	18 - 32	663-45587-30	22 - 39	703-48284-00	27 - 52	6A0-82317-00	13 - 25	67C-W0001-22	30 - 1	90185-08045	18 - 28
67C-45111-21-4D	20 - 13	663-45587-40	22 - 39	701-48287-00	27 - 42	6G8-82370-30	12 - 8	65W-W0070-20	1 - 10	90185-09M01	25 - 4
67C-45123-00	20 - 12	663-45587-50	22 - 39	703-48291-10	27 - 39	62Y-82377-00	15 - 43	66T-W0078-00	30 - 21	90185-10051	18 - 10
	30 - 6	663-45587-60	22 - 39	703-48293-10	27 - 41	63V-82377-50	17 - 39	66T-W0078-0A	30 - 31	90185-10M13	17 - 31
62Y-45127-00	20 - 11	66T-45611-00	22 - 60	701-48310-90	26 - 2	65W-82504-00	12 - 17	65W-W0093-01	29 - 1	90185-22M11	17 - 16

NUMERICAL INDEX

PART NO.	REF. NO.	PART NO.	REF. NO.	PART NO.	REF. NO.	PART NO.	REF. NO.	PART NO.	REF. NO.	PART NO.	REF. NO.
90201-05M06	16 - 19	90387-23002	20 - 21	90465-13M18	11 - 18	92995-10600	17 - 32	93210-74MG5	30 - 18	97095-06010	16 - 33
90201-06M31	16 - 15	90401-20M00	2 - 31	90465-13M36	6 - 14		18 - 11	93306-001U1	22 - 49	97095-06012	13 - 3
90201-08M00	17 - 22	90430-06014	4 - 13	90465-25M57	15 - 24		23 - 13	93315-32224	22 - 11		15 - 17
90201-10M06	8 - 5		28 - 8	90467-08004	2 - 26	92995-12200	17 - 41	93317-22204	22 - 52	97095-06014	15 - 26
90201-10M20	25 - 3	90430-08020	22 - 5	90467-09M17	9 - 35	93101-22M00	22 - 53	93332-00001	22 - 38		17 - 8
90201-10M63	25 - 8		30 - 10	90467-10M04	9 - 34		30 - 19	93332-00003	22 - 43	97095-06016	13 - 11
90201-12426	17 - 42	90430-12072	23 - 4	90468-10005	16 - 20	93101-22M60	22 - 24	93410-28M06	18 - 17	97095-06020	4 - 11
90201-12M07	15 - 15		30 - 20	90468-18008	16 - 10		30 - 13	93420-36M01	20 - 22		11 - 24
90201-12M16	13 - 28	90430-14115	2 - 15	90480-09M12	15 - 3	93101-35002	3 - 2	93430-06024	27 - 10	97095-06025	6 - 10
	18 - 42		28 - 4	90480-25161	12 - 9		28 - 13	93430-10M00	17 - 29		9 - 32
90201-13M19	18 - 44	90430-14M09	20 - 24	90501-10326	7 - 8	93102-37M40	8 - 1	93450-09M01	4 - 4		11 - 13
90201-21M18	11 - 5		21 - 15	90501-15M01	22 - 56		28 - 17	93450-17129	3 - 11		12 - 25
90201-22429	22 - 46		30 - 7	90506-18010	15 - 34	93102-43004	3 - 1	93501-08001	19 - 61		16 - 16
90201-22M05	18 - 45	90445-07M31	22 - 12	91318-04025	19 - 38		28 - 12	93604-08062	22 - 28	97095-06030	9 - 14
90201-27M00	22 - 27	90445-07M53	18 - 20	91380-05030	11 - 7	93110-16004	20 - 2	93605-14143	8 - 4		12 - 10
90201-30M00	18 - 12	90445-07ME8	22 - 12	91490-30025	23 - 24		30 - 2	93606-12019	20 - 26	97095-06040	12 - 15
90202-05M38	1 - 13	90445-09068	2 - 21	91690-30018	17 - 5	93210-064A5	19 - 26		21 - 12	97095-06055	16 - 31
90202-12060	23 - 3	90445-09095	2 - 23	92903-06600	21 - 5	93210-06ME6	22 - 35		23 - 10	97095-08014	9 - 20
90202-21100	18 - 43	90445-09104	2 - 24	92990-05600	20 - 18		30 - 16	93608-12M05	21 - 9	97095-08020	17 - 14
90206-12052	15 - 14	90445-10M34	9 - 26	92990-06100	15 - 30	93210-08287	10 - 3	93700-06M03	17 - 11		18 - 34
90249-12M38	17 - 26	90445-10MG6	9 - 25	92990-06600	15 - 31		24 - 14	94701-00375	4 - 26	97095-08025	23 - 8
90249-18M35	17 - 20	90445-10MG7	9 - 29		22 - 36	93210-09165	19 - 34	95380-05600	9 - 10	97095-08035	23 - 16
90250-06023	22 - 57	90445-11M05	24 - 11	92990-08600	14 - 15	93210-10M74	19 - 52		22 - 10	97380-05025	27 - 8
90254-03M05	16 - 4	90445-11M06	24 - 9		27 - 34	93210-11073	19 - 55		27 - 7	97380-08030	27 - 33
90266-06M02	1 - 7	90445-11M82	15 - 39	92990-10100	20 - 29	93210-11368	19 - 24	95380-06600	15 - 28	97575-06516	13 - 31
90280-03M03	22 - 21	90445-13M00	10 - 8	92990-10600	20 - 30	93210-12MG9	8 - 13		27 - 40	97780-60520	1 - 3
	30 - 26	90445-13M01	10 - 6	92990-16200	23 - 22		28 - 20	95380-06700	22 - 32	97780-60525	18 - 8
90280-04M06	8 - 10	90446-10M82	11 - 10	92995-05600	4 - 10	93210-14515	8 - 14	95380-08600	9 - 23	97803-04010	7 - 5
	28 - 18	90446-14M12	9 - 27		11 - 9		28 - 21	95380-08700	14 - 14	97880-05016	20 - 17
90340-08002	22 - 4	90446-14M51	9 - 30		13 - 14	93210-16275	25 - 10	95380-10600	20 - 28	97880-06025	15 - 29
90340-14M06	2 - 14	90446-24M54	6 - 15	92995-06100	11 - 25	93210-18397	19 - 44	95380-12600	17 - 43	97885-06008	18 - 19
	20 - 23	90464-07M05	12 - 12	92995-06600	4 - 12	93210-24M79	4 - 24	95380-12700	18 - 41	97885-06016	18 - 6
	21 - 14	90464-15M11	15 - 42		6 - 11		9 - 12	95680-06100	1 - 14	97980-04114	7 - 26
90381-12M10	17 - 27	90465-06M88	13 - 9		9 - 15		28 - 11	95895-06030	13 - 27		29 - 11
90381-12M11	17 - 28	90465-08M07	18 - 22		11 - 14	93210-29M94	18 - 15	95895-10040	8 - 6	98580-03015	27 - 38
90386-12M37	15 - 12	90465-08M08	13 - 8		12 - 11	93210-32738	9 - 19	97013-06016	21 - 7	98580-04006	7 - 2
90386-12MA2	15 - 13	90465-08M63	17 - 12		13 - 4	93210-33MG4	22 - 34	97013-06025	21 - 4		27 - 36
90386-14MA1	17 - 6	90465-10M77	17 - 7		15 - 27		30 - 15	97075-06020	13 - 22	98580-04008	7 - 16
90386-18M44	17 - 23	90465-11M10	2 - 25		16 - 17	93210-33MH2	8 - 12	97075-06025	20 - 8	98580-04010	27 - 35
90386-18MA0	17 - 24		9 - 28		17 - 9		28 - 19		21 - 16	98580-05010	27 - 37
90386-22MA4	17 - 18		11 - 20		20 - 6	93210-48MG8	22 - 26	97075-06050	20 - 5	98586-05016	24 - 4
90386-30M60	18 - 16		13 - 5		21 - 17		30 - 14	97075-08030	18 - 29	99530-08012	2 - 3
90386-30M77	18 - 14		15 - 40	92995-08100	17 - 15	93210-50768	19 - 29	97075-10040	23 - 11		4 - 16
90386-30M78	18 - 13		18 - 4		18 - 30	93210-59MG7	22 - 19	97080-08016	17 - 21		
90387-06060	15 - 4		22 - 15		23 - 9		30 - 11	97085-06010	17 - 35		
90387-06064	16 - 27	90465-11M52	6 - 16	92995-08600	9 - 21	93210-69MG6	22 - 50	97095-05012	4 - 9		
90387-06M29	16 - 14	90465-13M11	17 - 19		18 - 35		30 - 17	97095-05016	11 - 8		
90387-10M42	25 - 6	90465-13M18	9 - 37	92995-10100	23 - 12	93210-74MG5	22 - 51		13 - 13		

T25TRD/FT25BET
PARTS CATALOGUE
©2004 by Yamaha Motor Co., Ltd.
1st edition, March 2004
All rights reserved.
Any reprinting or unauthorized use
without the written permission of
Yamaha Motor Co., Ltd.
is expressly prohibited.
Printed in Japan.