



PARTS CATALOGUE

T9.9PRD (69C4)



1D69C-100E1

(2D69C-100E1)

FOREWORD

This Parts Catalogue is related to the parts for the model(s) on the cover page. When you are ordering replacement parts, please refer to this Parts Catalogue and quote both part numbers and part names correctly.

1. Modifications or additions which have been made after the issue of the Parts Catalogue will be announced in the Parts News.
It is advisable that you make the necessary corrections to the Parts Catalogue according to the Parts News.

2. Abbreviations
The following abbreviations are used in this Parts Catalogue.

“UR” Use specified parts number.
 “UN” Use as many as needed.
 “AP” Alternate Parts
 “LM” Locally Made (Parts need to be ordered locally)
 “F#” Frame No. (Applicable machine No.)
 “O/S” Over Size

3. The number of components for assembly
 - Parts, which are to be supplied in an assembly, are listed with a dot (.) in front of the part name as shown below.
 - The numeral appearing to the right of each component part indicates the quantity of parts for each assembly unit.

PART NO.	DESCRIPTION	Q'TY	REMARKS
2F5-83310-60	FRONT FLASHER LIGHT ASSY	2	
115-83311-60	.BULB (6V-18W)	1	

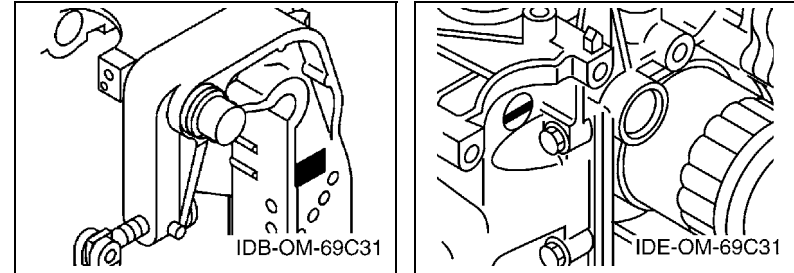
4. Applicable colours of graphics are represented in the “REMARKS” as shown below.

PART NO.	DESCRIPTION	Q'TY	REMARKS
2N4-24110-00-X5	FUEL TANK COMP.	2	MXR
3J1-24240-10	.GRAPHIC, FUEL TANK	1	FOR MXR

5. Note that the illustrations for reference in finding parts numbers are not to be used for assembling. When assembling, please use the applicable service manual.

6. The asterisk (*) before a reference number indicates modified items after the first edition.
7. Applicable Serial No.

Engine Serial No.



8. Applicable Engine Starting Serial No.

Model	Serial No.	Model	Serial No.
T9.9	66R-1001752		

9. Applicable Colour Code

Abbreviation	Colour Name	Colour Code
DBNM2	DARK BLUISH GRAY METALLIC 2	004D

10. Quantity Column Information

Column No.	Name Of Q'ty Column	Applicable Model
1	69C4	T9.9PRD

CONTENTS

SHEET1/2

TOP COWLING	A4
CYLINDER & CRANKCASE 1	A5
CRANKSHAFT & PISTON	A7
CYLINDER & CRANKCASE 2	B1
VALVE	B2
INTAKE	B3
CARBURETOR	B5
OIL PUMP	B7
FUEL	C1
STARTER	C3
GENERATOR	C4
ELECTRICAL 1	C5
ELECTRICAL 2	C7
STARTING MOTOR	D2
BOTTOM COWLING	D3
CONTROL	D5
BRACKET 1	D7
BRACKET 2	E2
POWER TILT ASSY	E4
UPPER CASING	E7
OIL PAN	F1
LOWER CASING & DRIVE 1	F2
LOWER CASING & DRIVE 2	F5
FUEL TANK	F6
STEERING GUIDE	F7

INDEX

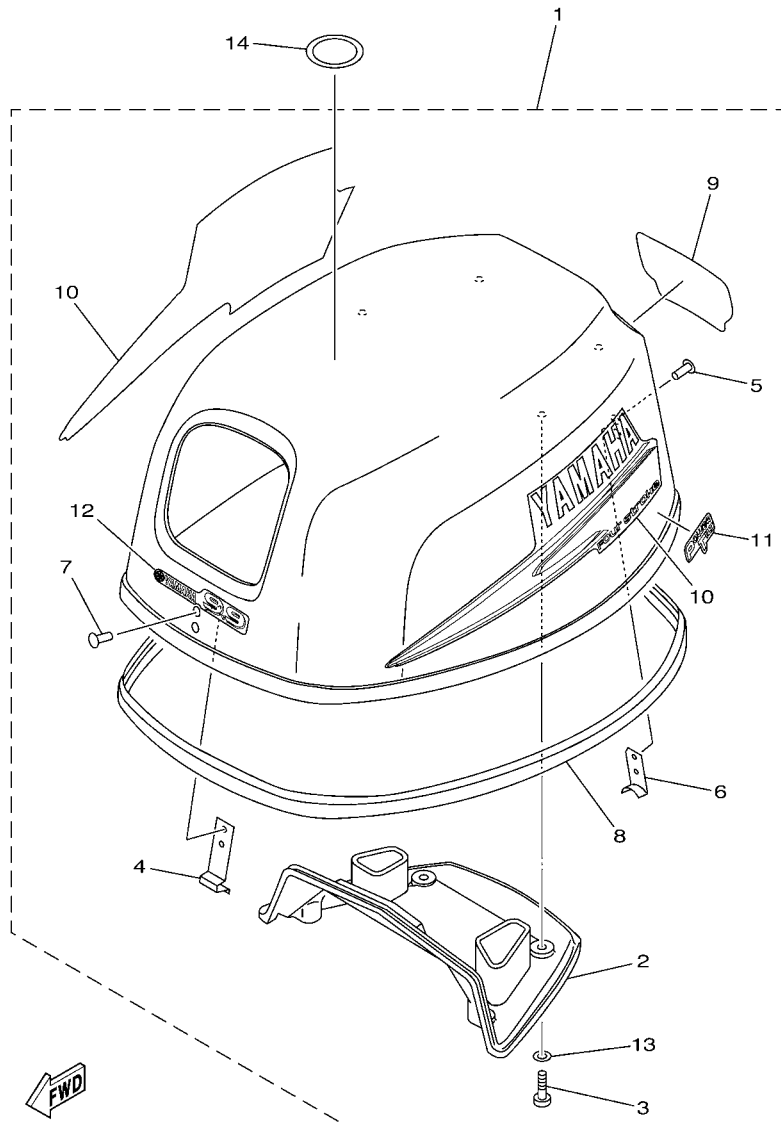
NUMERICAL INDEX	G1
-----------------------	----

SHEET2/2

REMOTE CONTROL BOX	A4*
REMOTE CONTROL ASSY	A5*
REPAIR KIT 1	B1*
REPAIR KIT 2	B2*
REPAIR KIT 3	B3*

INDEX

NUMERICAL INDEX	G1*
-----------------------	-----



69C3100-C010

FIG. 1 TOP COWLING

REF. NO.	PART NO.	DESCRIPTION	69C4				REMARKS
1	69C-42610-12-4D	TOP COWLING ASSY	1				
2	66M-42613-00	.MOLDING, AIR DUCT	1				
3	97780-60520	.SCREW, TAPPING	4				
4	65W-42651-01	.HOOK	1				
5	90266-06M02	.RIVET	2				
6	66M-42652-00	.HOOK	1				
7	90266-06M02	.RIVET	2				
8	6D4-42615-00	.SEAL	1				
9	66R-42678-20	.GRAPHIC, REAR	1				
10	66M-W0070-20	.GRAPHIC SET	1				
11	69A-42675-00	.GRAPHIC, SIDE 1	1				
12	66N-42677-00	.GRAPHIC, FRONT	1				
13	90202-05M38	.WASHER, PLATE	4				
14	67F-13434-02	LABEL, CAUTION	1				

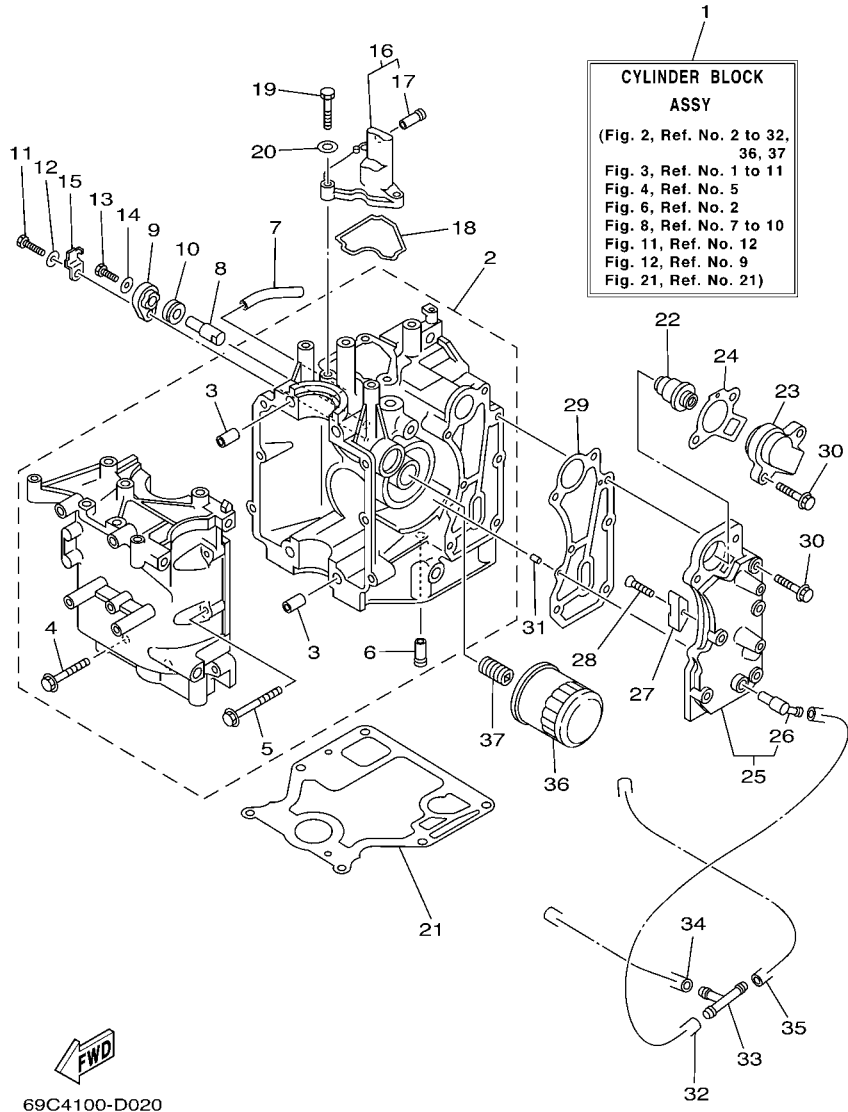
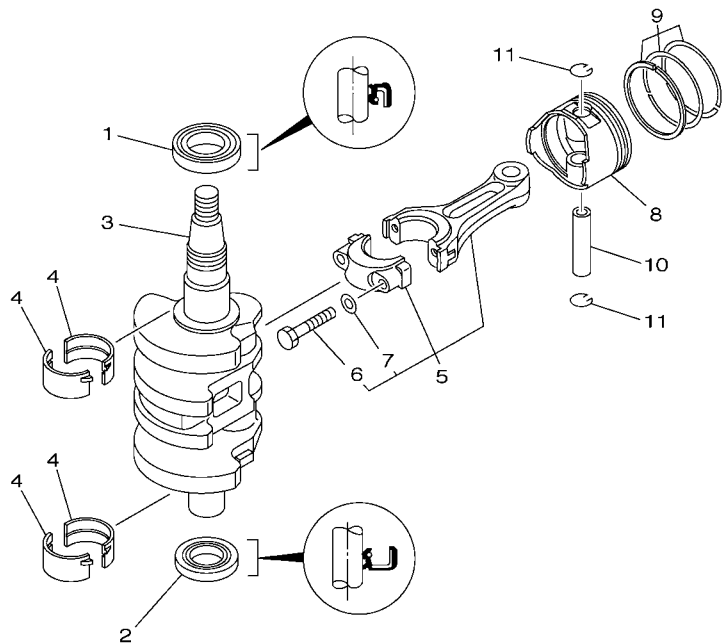


FIG. 2 CYLINDER & CRANKCASE 1

REF. NO.	PART NO.	DESCRIPTION	69C4				REMARKS
1	66M-W009B-12-1S	CYLINDER BLOCK ASSY	1				FLUSHING KIT
2	66M-15100-02-1S	CRANKCASE ASSY	1				
3	99510-10114	.PIN, DOWEL	2				
4	90119-08M66	.BOLT, WITH WASHER	4				
5	90119-06M14	.BOLT, WITH WASHER	6				
6	6E5-24377-00	.PIPE, JOINT 3	1				
7	90445-10M46	HOSE (L65)	1				
8	66M-11325-00	ANODE	1				
9	66M-11327-00-94	COVER, ANODE	1				
10	66M-11328-00	GROMMET, ANODE	1				
11	97095-06020	BOLT	1				
12	92995-06600	WASHER	1				
13	97095-05012	BOLT	1				
14	92995-05600	WASHER	1				
15	66M-12535-00	PLATE	1				
16	66M-11168-00-1S	COVER, BREATHER	1				
17	6E5-24377-00	.PIPE, JOINT 3	1				
18	66M-11357-00	SEAL, CYLINDER 3	1				
19	97095-06020	BOLT	3				
20	92995-06600	WASHER	3				
21	66M-11351-10	GASKET, CYLINDER	1				
22	66M-12411-01	THERMOSTAT	1				
23	6H3-12413-00-1S	COVER, THERMOSTAT	1				
24	62Y-12414-00	GASKET, COVER	1				
25	66M-41113-30-1S	OUTER COVER, EXHAUST	1				FLUSHING KIT
26	676-11372-00	.NIPPLE, HOSE	1				
27	6E5-11325-00	ANODE	1				

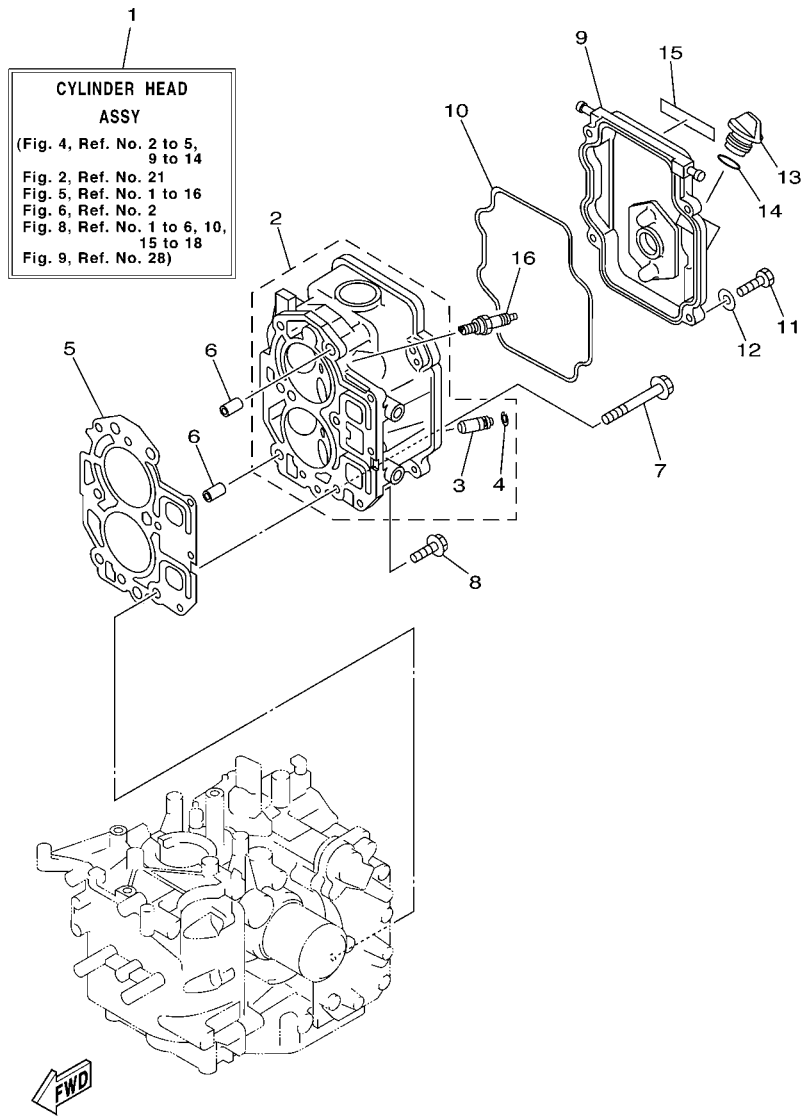
FIG. 3 CRANKSHAFT & PISTON



REF. NO.	PART NO.	DESCRIPTION	69C4				REMARKS
1	93102-35M51	OIL SEAL	1				
2	93102-25M52	OIL SEAL	1				
3	66M-11411-00	CRANKSHAFT	1				
4	66M-11416-00	PLANE BEARING, CRANKSHAFT 1	4				UR BROWN
	66M-11416-10	PLANE BEARING, CRANKSHAFT 1	4				UR BLACK
	66M-11416-20	PLANE BEARING, CRANKSHAFT 1	4				UR BLUE
5	66M-11650-00	CONNECTING ROD ASSY	2				
6	66M-11654-00	.BOLT, CONNECTING ROD	2				
7	90201-07M01	.WASHER, PLATE	2				
8	66M-11631-00-96	PISTON (STD)	2				
	66M-11635-00	PISTON (0.25MM O/S)	2				AP
	66M-11636-00	PISTON (0.50MM O/S)	2				AP
9	66N-11603-00	PISTON RING SET (STD)	2				
	66N-11604-00	PISTON RING SET (0.25MM O/S)	2				AP
	66N-11605-00	PISTON RING SET (0.50MM O/S)	2				AP
10	634-11633-00	PIN, PISTON	2				
11	93450-15023	CIRCLIP	4				



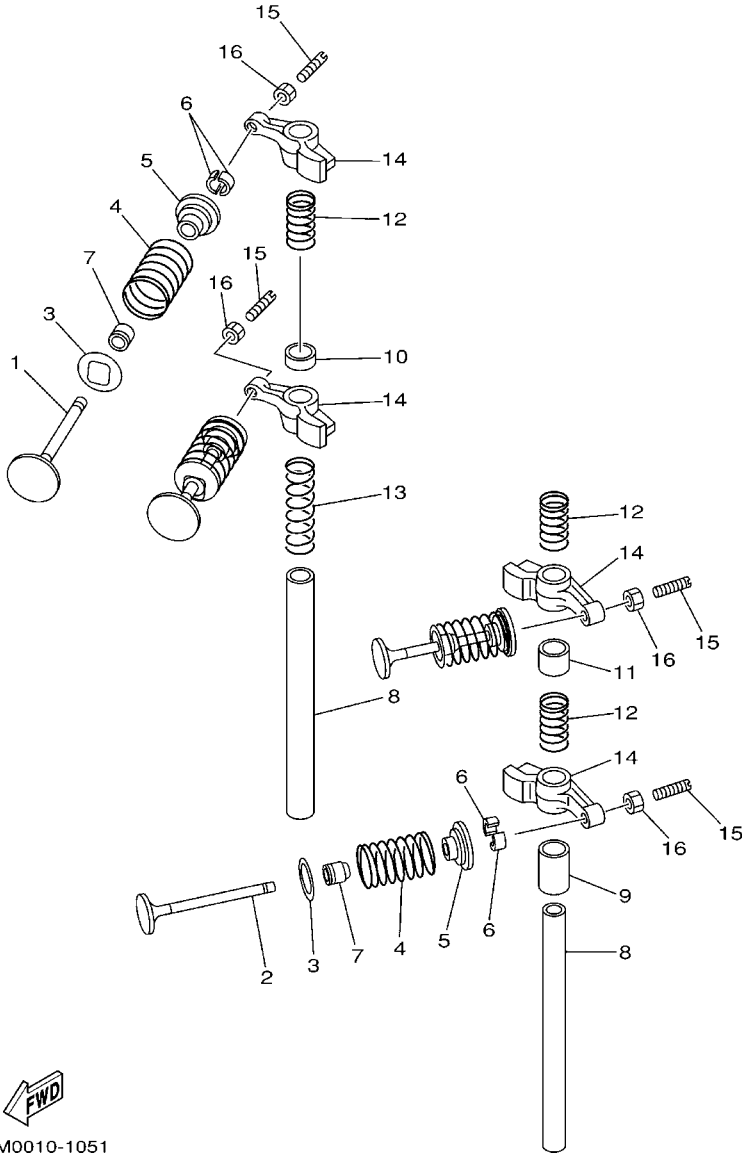
66M0010-8031



66M4100-D040

FIG. 4 CYLINDER & CRANKCASE 2

REF. NO.	PART NO.	DESCRIPTION	69C4				REMARKS
1	66M-W009A-02-1S	CYLINDER HEAD ASSY	1				
2	66M-11111-01-1S	HEAD, CYLINDER 1	1				
3	66M-11133-10	.GUIDE, VALVE 1	4				
4	93450-09M01	.CIRCLIP	4				
5	66M-11181-10	GASKET, CYLINDER HEAD 1	1				
6	99510-10114	PIN, DOWEL	2				
7	90105-08M78	BOLT, FLANGE	6				
8	90119-06MA3	BOLT, WITH WASHER	3				
9	66M-11191-00-1S	COVER, CYLINDER HEAD 1	1				
10	66M-11356-00	SEAL, CYLINDER 2	1				
11	97095-06020	BOLT	4				
12	92995-06600	WASHER	4				
13	6G8-15363-00	PLUG, OIL	1				
14	93210-24M79	O-RING	1				
15	66M-12138-50	MARK, CAUTION	1				
16	94701-00375	PLUG, SPARK (NGK DPR6EA-9)	2				




66M0010-1051

FIG. 5 VALVE

REF. NO.	PART NO.	DESCRIPTION	89C4				REMARKS
1	66M-12111-00	VALVE, INTAKE	2				
2	66M-12121-00	VALVE, EXHAUST	2				
3	66M-12116-00	SEAT, VALVE SPRING	4				
4	66M-12113-00	SPRING, VALVE INNER	4				
5	30X-12117-00	RETAINER, VALVE SPRING	4				
6	30X-12118-00	COTTER, VALVE	8				
7	51Y-12119-00	SEAL, VALVE STEM	4				
8	66M-12146-00	SHAFT, ROCKER	2				
9	90387-13M56	COLLAR	1				
10	90387-13001	COLLAR	1				
11	90387-13002	COLLAR	1				
12	90501-12M40	SPRING, COMPRESSION	3				
13	90501-12M41	SPRING, COMPRESSION	1				
14	66M-12151-10	ARM, VALVE ROCKER	4				
15	62Y-12159-00	SCREW, VALVE ADJUSTING	4				
16	62Y-12158-00	NUT, LOCK	4				

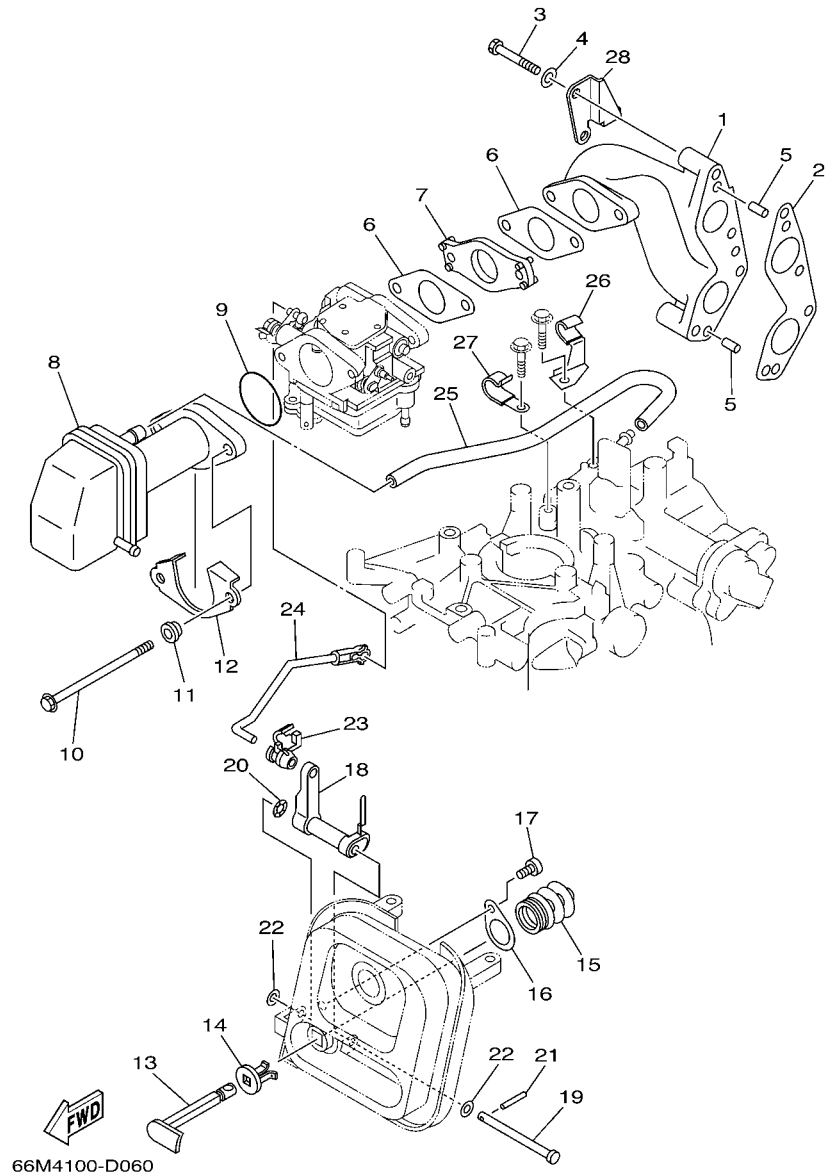


FIG. 6 INTAKE

REF. NO.	PART NO.	DESCRIPTION	89C4				REMARKS
1	66M-13641-10-94	MANIFOLD 1	1				
2	66M-13645-00	GASKET, MANIFOLD 1	1				
3	97095-06040	BOLT	4				
4	92995-06600	WASHER	4				
5	93606-12019	PIN, DOWEL	2				
6	66M-13646-00	GASKET, MANIFOLD 2	2				
7	66M-14271-00	INSULATOR	1				
8	66M-14440-00	SILENCER ASSY, INTAKE	1				
9	93210-35M86	O-RING	1				
10	90119-06M76	BOLT, WITH WASHER	2				
11	90387-06M79	COLLAR	2				
12	66M-14477-00	PLATE	1				
13	66M-41271-00	KNOB, CHOKE	1				
14	689-41273-00	GROMMET	1				
15	66M-41292-00	BUSH 2	1				
16	66M-41298-00	WASHER 2	1				
17	97780-50510	SCREW, TAPPING	1				
18	66M-41252-00	LEVER, CHOKE 1	1				
19	90240-05M20	PIN, CLEVIS	1				
20	90206-05005	WASHER, WAVE	1				
21	91690-20016	PIN, SPRING	1				
22	90202-05088	WASHER, PLATE	2				
23	6R5-41237-00	JOINT, LINK	1				
24	66M-41256-00	ROD, CHOKE 1	1				
25	66M-15373-00	PIPE, BREATHER	1				
26	90465-08M82	CLAMP	1				
27	90465-08M83	CLAMP	1				

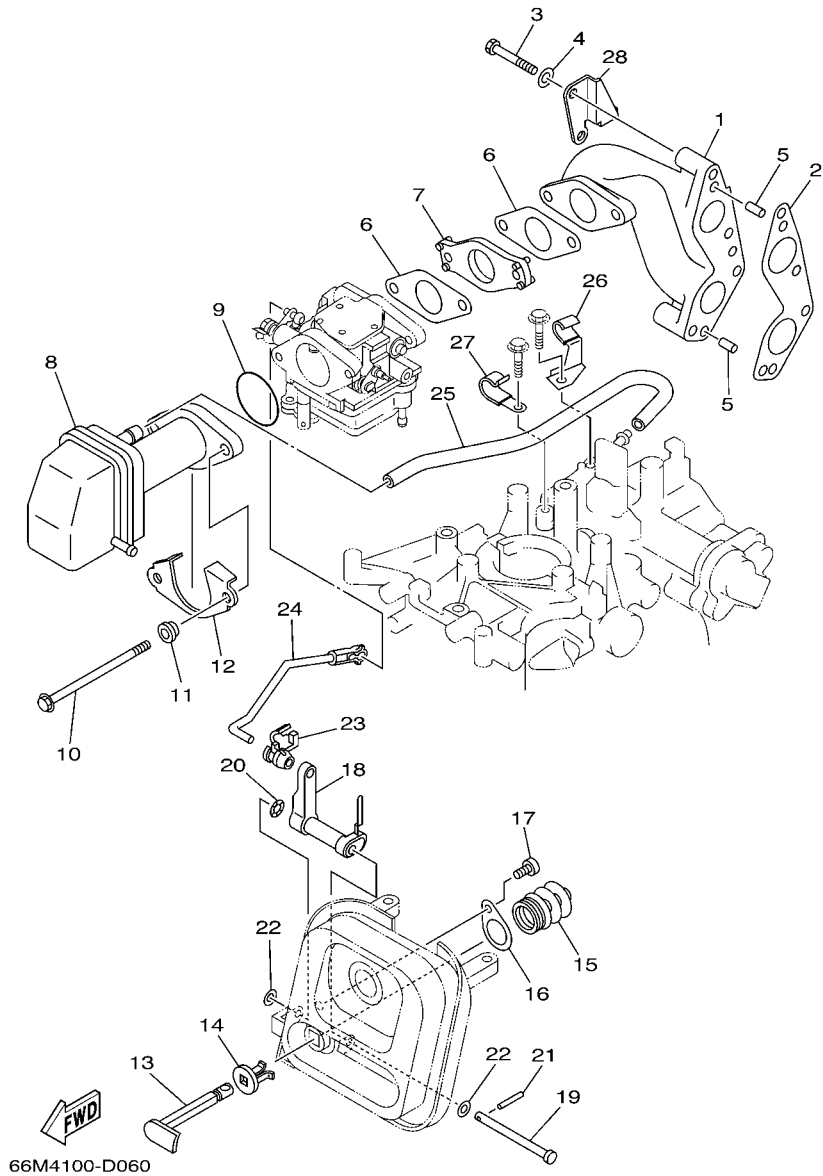
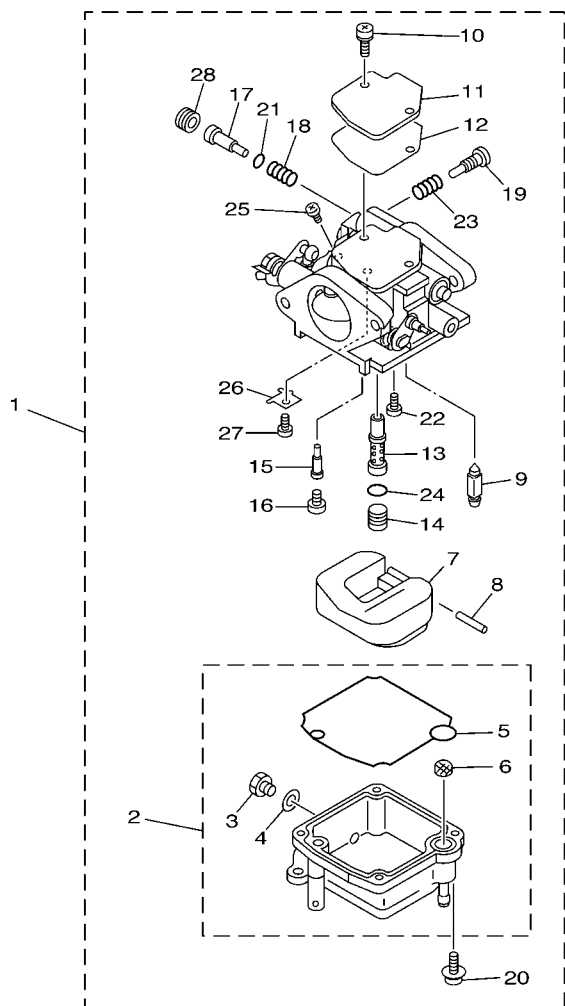


FIG. 6 INTAKE

REF. NO.	PART NO.	DESCRIPTION	69C4				REMARKS
28	6D4-24566-00	BRACKET, FILTER	1				

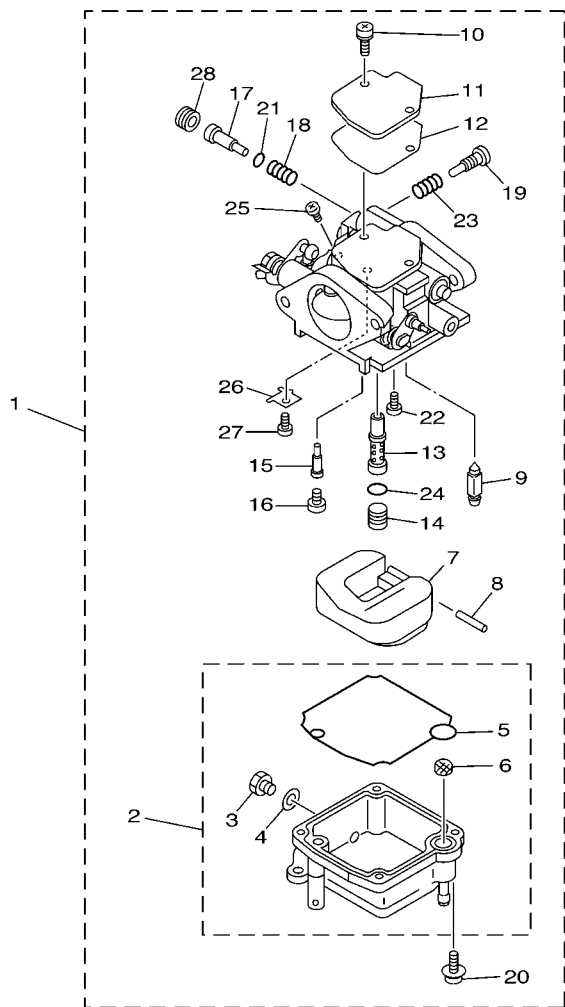
FIG. 7 CARBURETOR




69C4100-D070

REF. NO.	PART NO.	DESCRIPTION	69C4				REMARKS
1	66R-14301-11	CARBURETOR ASSY 1	1				
2	66N-14381-00	.BODY, FLOAT CHAMBER	1				
3	62Y-14383-00	..SCREW, DRAIN	1				
4	66M-14398-00	..GASKET	1				
5	66M-14384-00	..GASKET, FLOAT CHAMBER	1				
6	66M-14827-00	..FILTER	1				
7	6L2-14385-00	.FLOAT	1				
8	6E5-14386-01	.PIN, FLOAT	1				
9	6L2-14392-00	.VALVE, NEEDLE	1				
10	97980-04110	.SCREW, WITH WASHER	2				
11	6L2-14157-00	.COVER, MIXING	1				
12	62Y-14399-00	.GASKET	1				
13	66N-14341-00	.NOZZLE, MAIN	1				
14	66N-14343-34	.JET, MAIN (# 68)	1				
15	66M-14342-23	.JET, PILOT (#45)	1				
16	62Y-14355-00	.PLUG	1				
17	5H0-14323-00	.SCREW, AIR ADJUSTING	1				
18	30X-14334-00	.SPRING, AIR ADJUSTING	1				
19	62Y-14321-00	.SCREW, THROTTLE	1				
20	97980-04112	.SCREW, WITH WASHER	4				
21	62Y-14397-00	.O-RING	1				
22	98980-04006	.SCREW, BIND	1				
23	646-14212-01	.SPRING, PILOT ADJUSTING	1				
24	6F5-14397-00	.O-RING	1				
25	97890-04005	.SCREW, PAN HEAD	1				
26	66M-14157-00	.PLATE	1				
27	98580-03005	.SCREW, PAN HEAD	1				

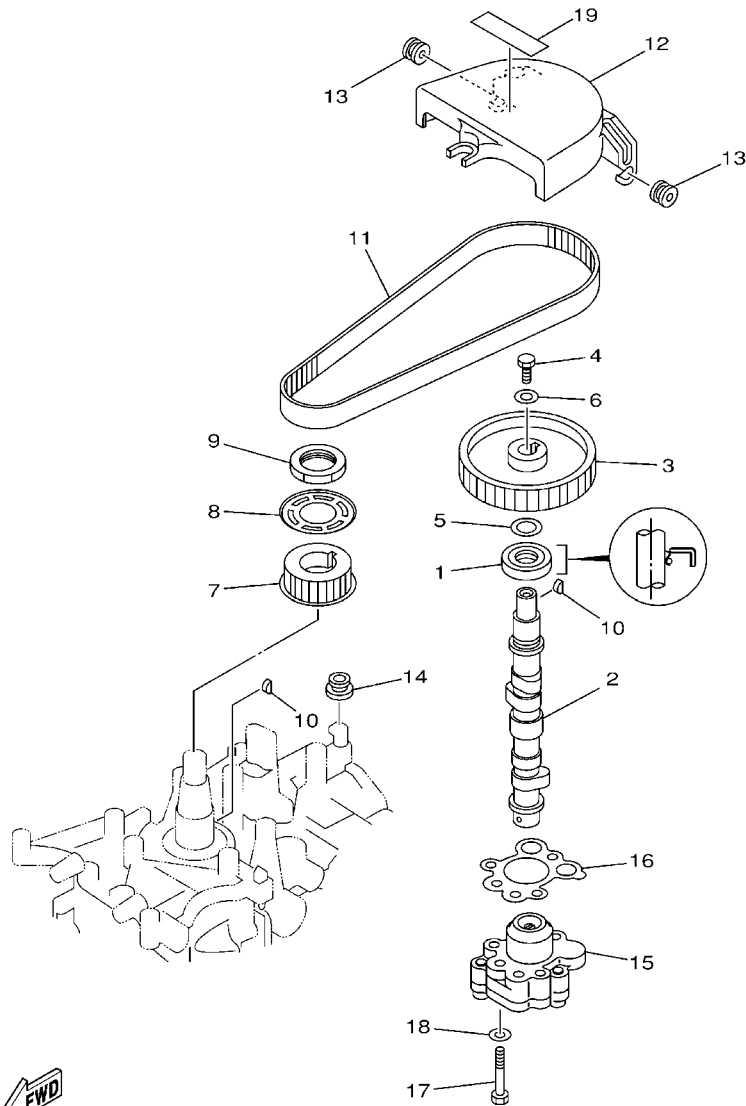
FIG. 7 CARBURETOR



69C4100-D070

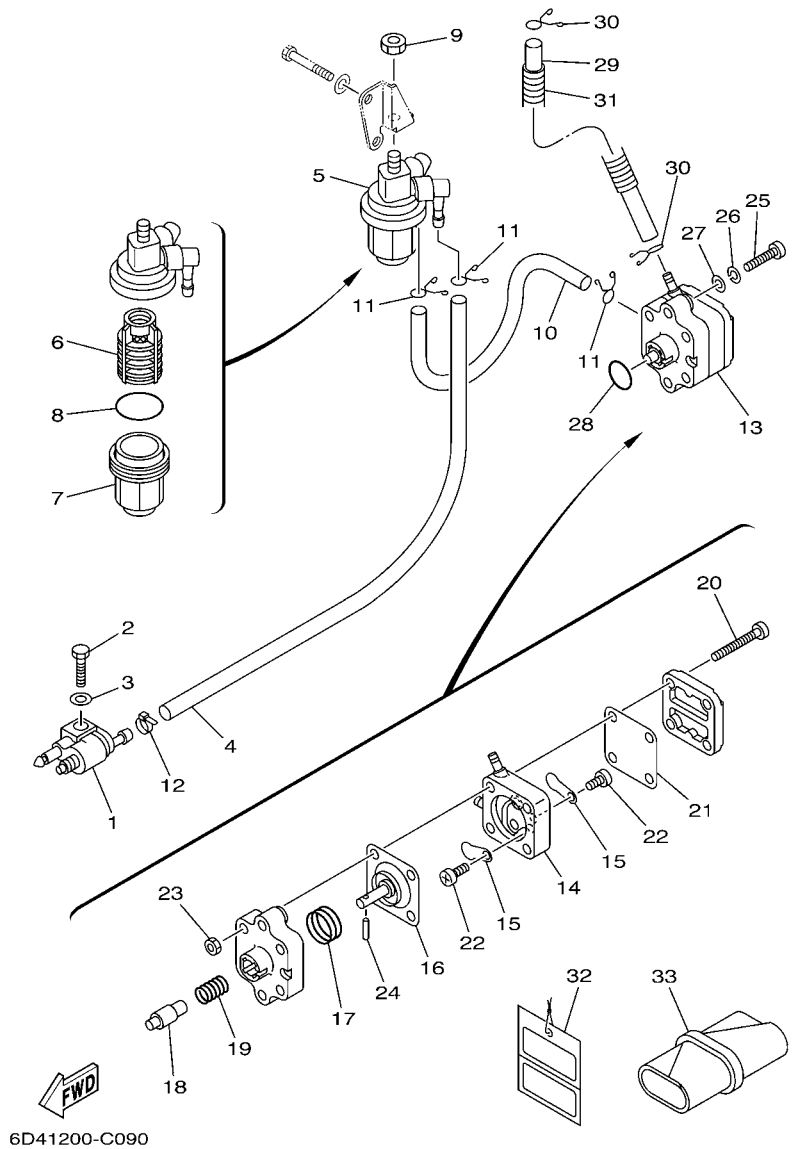
REF. NO.	PART NO.	DESCRIPTION	69C4				REMARKS
28	6G8-1432A-10	.PLUG	1				

FIG. 8 OIL PUMP




66M1100-2080

REF. NO.	PART NO.	DESCRIPTION	69C4				REMARKS
1	93102-18M21	OIL SEAL	1				
2	66M-12171-10	CAMSHAFT 1	1				
3	66M-11537-00-94	GEAR, DRIVEN	1				
4	97013-06016	BOLT	1				
5	90201-13201	WASHER, PLATE	1				
6	90201-06M94	WASHER, PLATE	1				
7	66M-11536-10	GEAR, DRIVE	1				
8	66M-11557-00	WASHER 1	1				
9	90170-28M37	NUT	1				
10	90280-03M01	KEY, WOODRUFF	2				
11	66M-46241-00	V-BELT	1				
12	66M-46297-00	COVER, DUST	1				
13	90480-10M16	GROMMET	2				
14	90480-12072	GROMMET	1				
15	66M-13300-10	OIL PUMP ASSY	1				
16	66M-13329-10	GASKET, PUMP COVER	1				
17	97095-06035	BOLT	3				
18	92995-06600	WASHER	3				
19	6G8-13437-54	MARK, CAUTION	1				

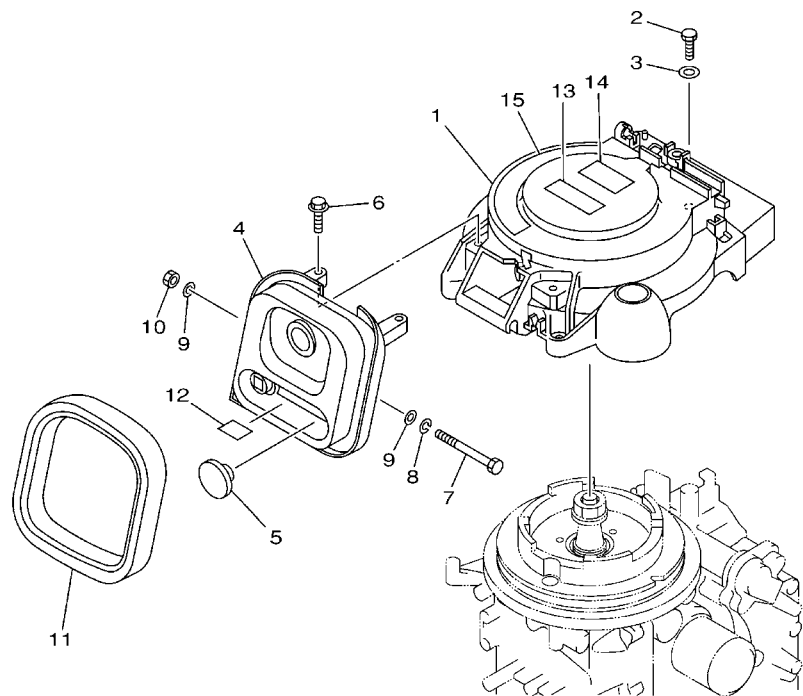


6D41200-C090

FIG. 9 FUEL

REF. NO.	PART NO.	DESCRIPTION	69C4				REMARKS
1	6G1-24304-02	FUEL PIPE JOINT COMP. 1	1				
2	97095-06020	BOLT	1				
3	92995-06600	WASHER	1				
4	90445-10M19	HOSE (L500)	1				
5	61N-24560-00	FILTER ASSY	1				
6	61N-24563-00	.ELEMENT, FILTER	1				
7	61N-24521-00	.CUP, FILTER	1				
8	93210-32738	.O-RING	1				
9	95380-08600	NUT	1				
10	90445-10M15	HOSE (L140)	1				
11	90467-09M17	CLIP	3				
12	90465-11M10	CLAMP	1				
13	66M-24410-10	FUEL PUMP ASSY	1				
14	66M-24413-01	.BODY 2	1				
15	6A0-24421-01	.VALVE, CHECK	2				
16	66M-24411-10	.DIAPHRAGM	1				
17	66M-24423-00	.SPRING, DIAPHRAGM	1				
18	66M-13131-10	.PLUNGER	1				
19	66M-24454-00	.SPRING	1				
20	66M-24444-00	.SCREW	4				
21	66M-24471-00	.DIAPHRAGM	1				
22	6E7-14325-00	.SCREW, PAN HEAD	2				
23	95380-05600	.NUT	4				
24	66M-24374-00	.PIN	1				
25	97880-06030	SCREW, PAN HEAD	2				
26	92990-06100	WASHER, SPRING	2				
27	92990-06600	WASHER, PLATE	2				

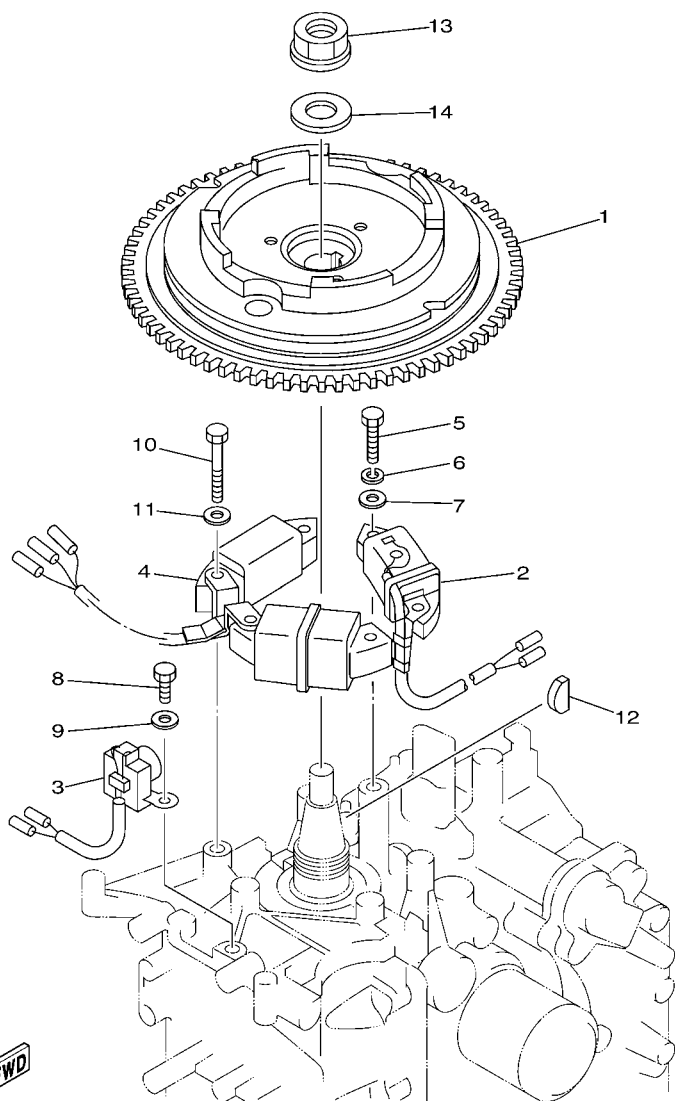
FIG. 10 STARTER



REF. NO.	PART NO.	DESCRIPTION	69C4				REMARKS
1	66M-15711-10	CASE, STARTER	1				
2	97095-06020	BOLT	3				
3	92995-06600	WASHER	3				
4	66M-15758-10	GUIDE, ROPE	1				
5	6G1-42725-00	GROMMET	1				
6	90119-06M59	BOLT, WITH WASHER	2				
7	97095-06090	BOLT	1				
8	92995-06100	WASHER, SPRING	1				
9	90201-06M05	WASHER, PLATE	2				
10	95380-06700	NUT	1				
11	66M-15762-00	SEAL, RUBBER 2	1				
12	66M-84342-00	SEAT, EMBLEM	1				
13	6A1-83625-41	MARK 5	1				
14	6A1-83625-51	MARK 5	1				
15	66M-14427-50	LABEL, INSTRUCTION	1				

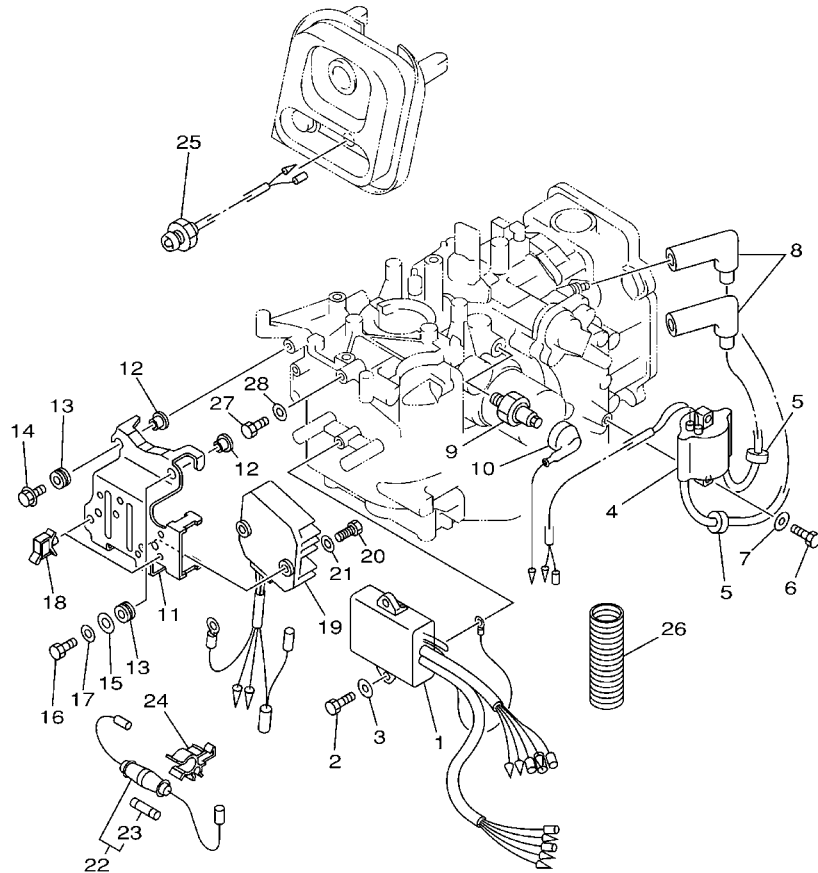

69A1100-2110

FIG. 11 GENERATOR



69B0010-0110

REF. NO.	PART NO.	DESCRIPTION	69C4				REMARKS
1	66M-85550-10	ROTOR ASSY (WITH RING GEAR)	1				
2	66M-85520-00	COIL, CHARGE	1				
3	66M-85580-00	COIL, PULSER	1				
4	66M-85533-10	COIL, LIGHTING	1				10A
5	97095-06025	BOLT	2				
6	92995-06100	WASHER, SPRING	2				
7	92995-06600	WASHER	2				
8	97095-06016	BOLT	2				
9	92995-06600	WASHER	2				
10	97095-06040	BOLT	4				
11	92995-06600	WASHER	4				
12	90280-05013	KEY, WOODRUFF	1				
13	90179-16M05	NUT	1				
14	90201-16M44	WASHER, PLATE	1				

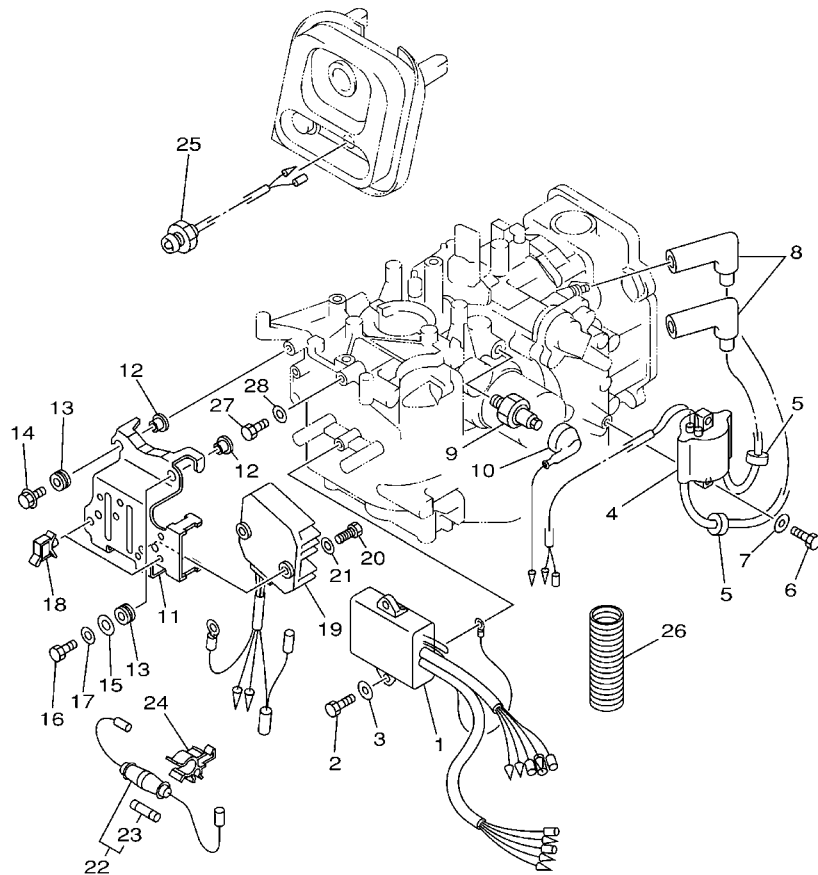


69B0010-1120

FIG. 12 ELECTRICAL 1

REF. NO.	PART NO.	DESCRIPTION	69C4				REMARKS
1	66M-85540-01	C.D.I. UNIT ASSY	1				
2	97095-06020	BOLT	2				
3	92995-06600	WASHER	2				
4	66M-85570-00	IGNITION COIL ASSY	1				
5	90480-25161	GROMMET	2				
6	97095-06020	BOLT	2				
7	92995-06600	WASHER	2				
8	6G8-82370-30	PLUG CAP ASSY	2				
9	62Y-82504-10	OIL PRESSURE SWITCH ASSY	1				
10	66M-82127-10	WIRE, LEAD 2	1				
11	69A-85542-10	BRACKET	1				
12	90387-06M05	COLLAR	4				
13	90480-13M24	GROMMET	4				
14	95895-06020	BOLT, FLANGE	3				
15	90201-06M05	WASHER, PLATE	1				
16	97095-06025	BOLT	1				
17	92995-06600	WASHER	1				
18	90464-09M13	CLAMP	2				
19	6G8-81960-A1	RECTIFIER & REGULATOR ASSY	1				
20	97095-06016	BOLT	2				
21	92995-06600	WASHER	2				
22	6G8-82150-00	FUSE HOLDER ASSY	1				
23	663-82151-00	.FUSE (12V-20A)	1				
24	6G5-82152-00	HOLDER, FUSE	1				
25	65W-85410-01	EMERGENCY SIGNAL LIGHT ASSY	1				
26	6H1-83557-00	TUBE	1				
27	97095-06016	BOLT	1				

FIG. 12 ELECTRICAL 1



69B0010-1120

REF. NO.	PART NO.	DESCRIPTION	69C4				REMARKS
28	92995-06600	WASHER	1				

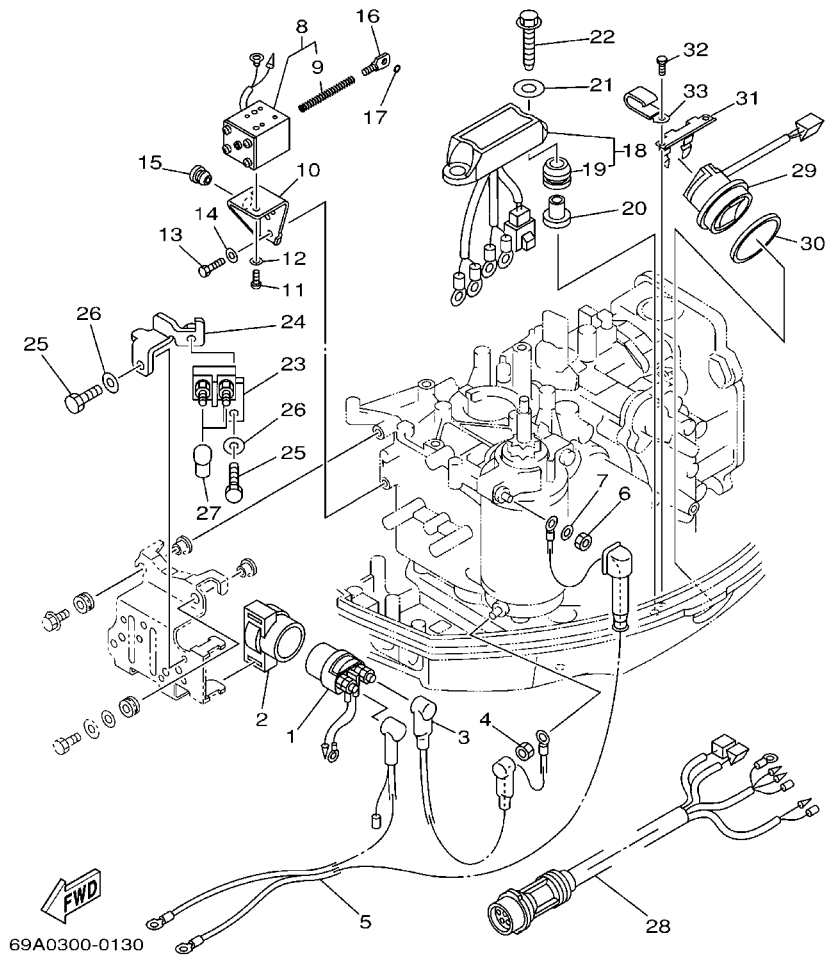


FIG. 13 ELECTRICAL 2

REF. NO.	PART NO.	DESCRIPTION	69C4				REMARKS
1	6G1-81941-10	STARTER RELAY ASSY	1				
2	6G1-81952-00	HOLDER, RELAY	1				
3	66M-82117-00	WIRE, LEAD	1				
4	65W-8182B-00	NUT, SPECIAL	1				
5	66M-82105-00	WIRE HARNESS	1				
6	95380-08700	NUT	1				
7	92990-08600	WASHER, PLATE	1				
8	66M-86111-00	COIL, SOLENOID	1				
9	66M-86116-00	.WIRE, PULL	1				
10	66M-86112-00	STAY, SOLENOID	1				
11	97880-05008	SCREW, PAN HEAD	2				
12	92990-05600	WASHER, PLATE	2				
13	97095-06016	BOLT	2				
14	92995-06600	WASHER	2				
15	90480-10M13	GROMMET	1				
16	66M-86117-00	HOOK, WIRE PULL	1				
17	93210-03261	O-RING	1				
18	69A-81950-00	RELAY ASSY	1				
19	90480-09M12	.GROMMET	2				
20	90387-06M03	COLLAR	2				
21	90201-06416	WASHER, PLATE	2				
22	90109-06MA2	BOLT	2				
23	6H5-81920-00	TERMINAL ASSY	1				
24	69A-81929-00	BRACKET, TERMINAL	1				
25	97095-06012	BOLT	2				
26	92995-06600	WASHER	2				
27	6G5-82119-00	COVER, LEAD WIRE	2				

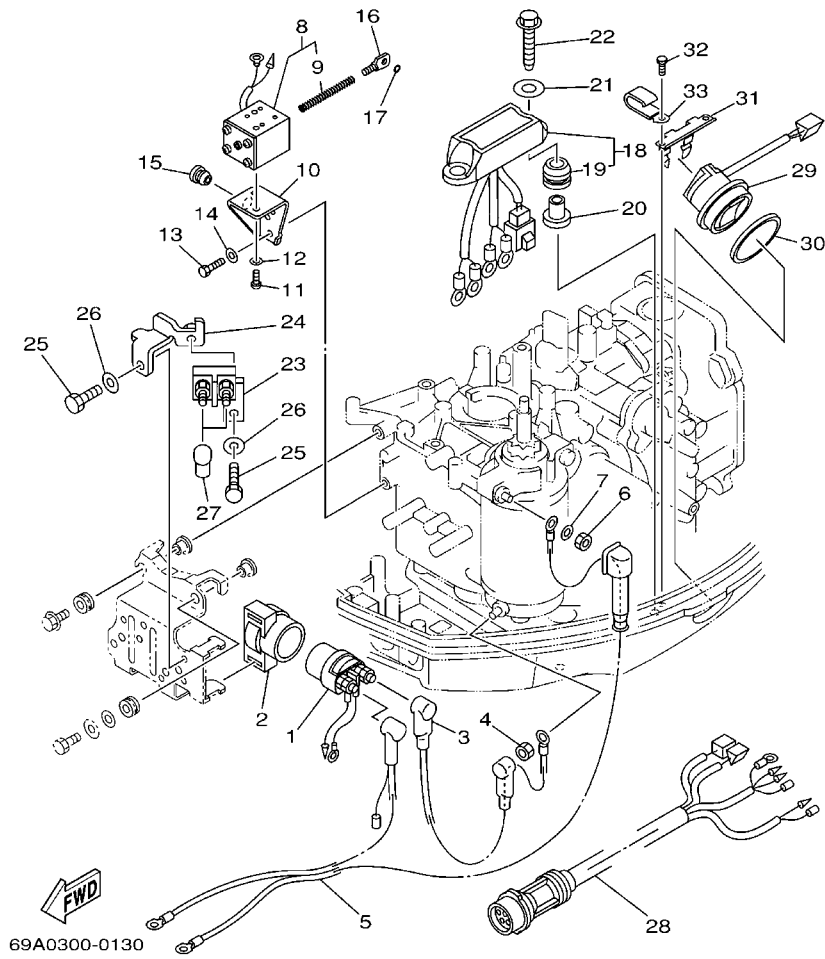
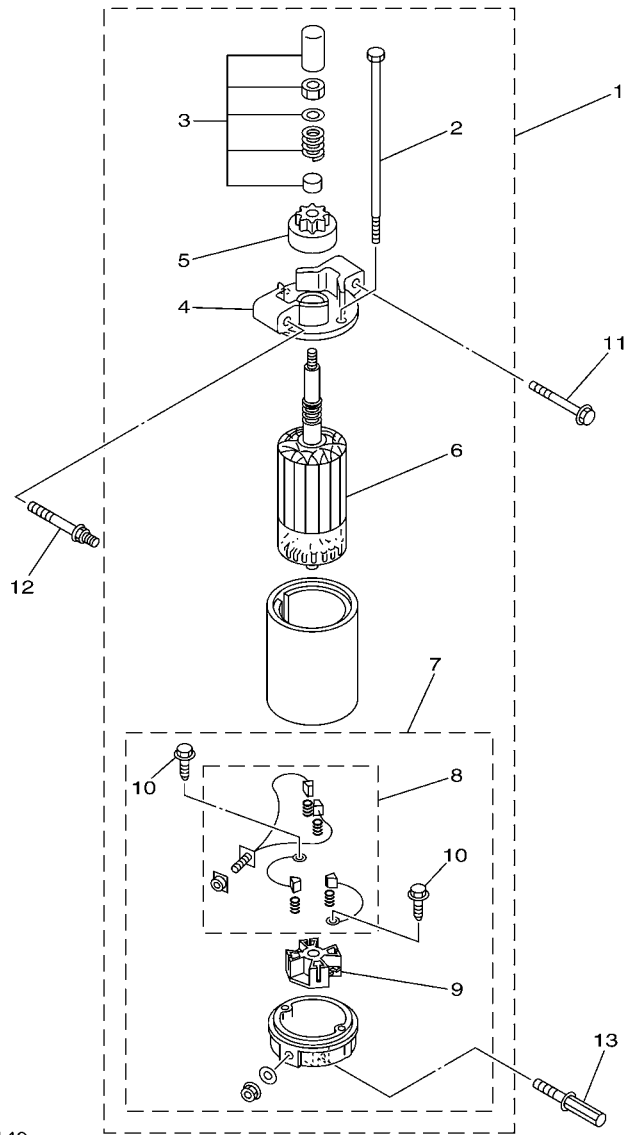


FIG. 13 ELECTRICAL 2

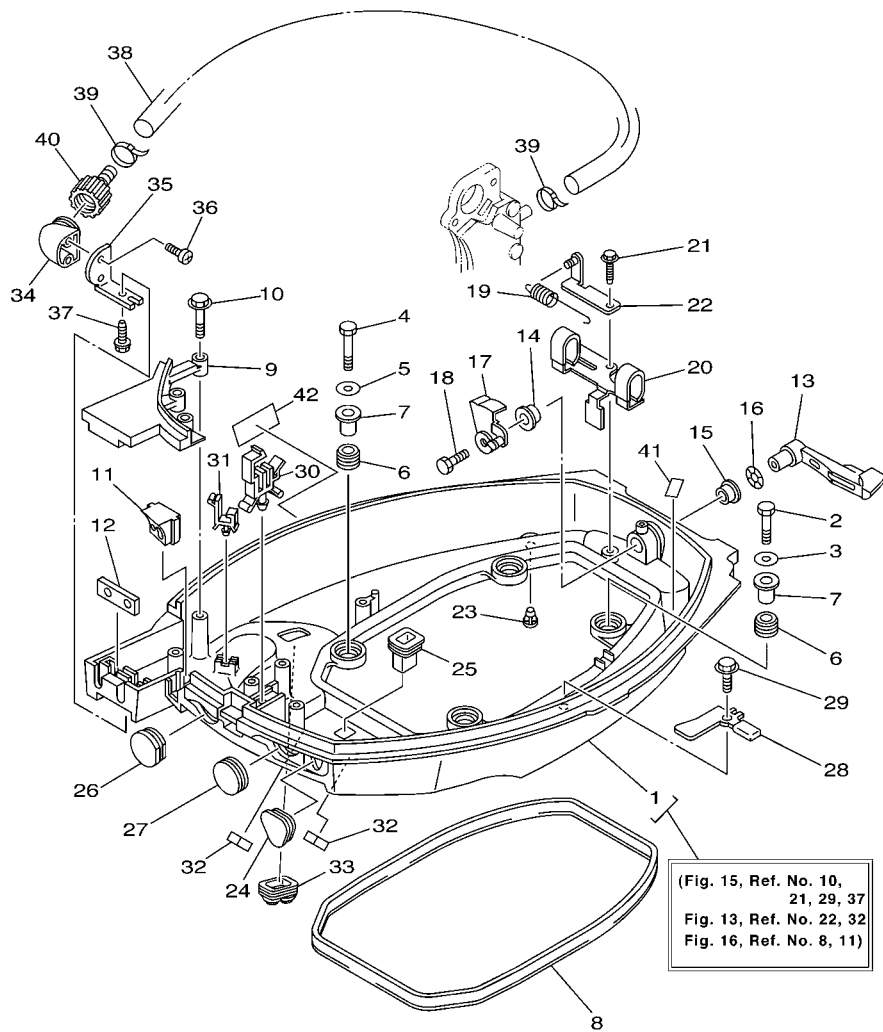
REF. NO.	PART NO.	DESCRIPTION	69C4				REMARKS
28	69A-82590-00	WIRE HARNESS ASSY	1				
29	63D-82563-10	TRIM & TILT SWITCH ASSY	1				
30	6E5-82587-00	GASKET	1				
31	69A-83614-00	BRACKET	1				
32	90109-06M86	BOLT	2				
33	90465-06M88	CLAMP	1				



66M0010-0140

FIG. 14 STARTING MOTOR

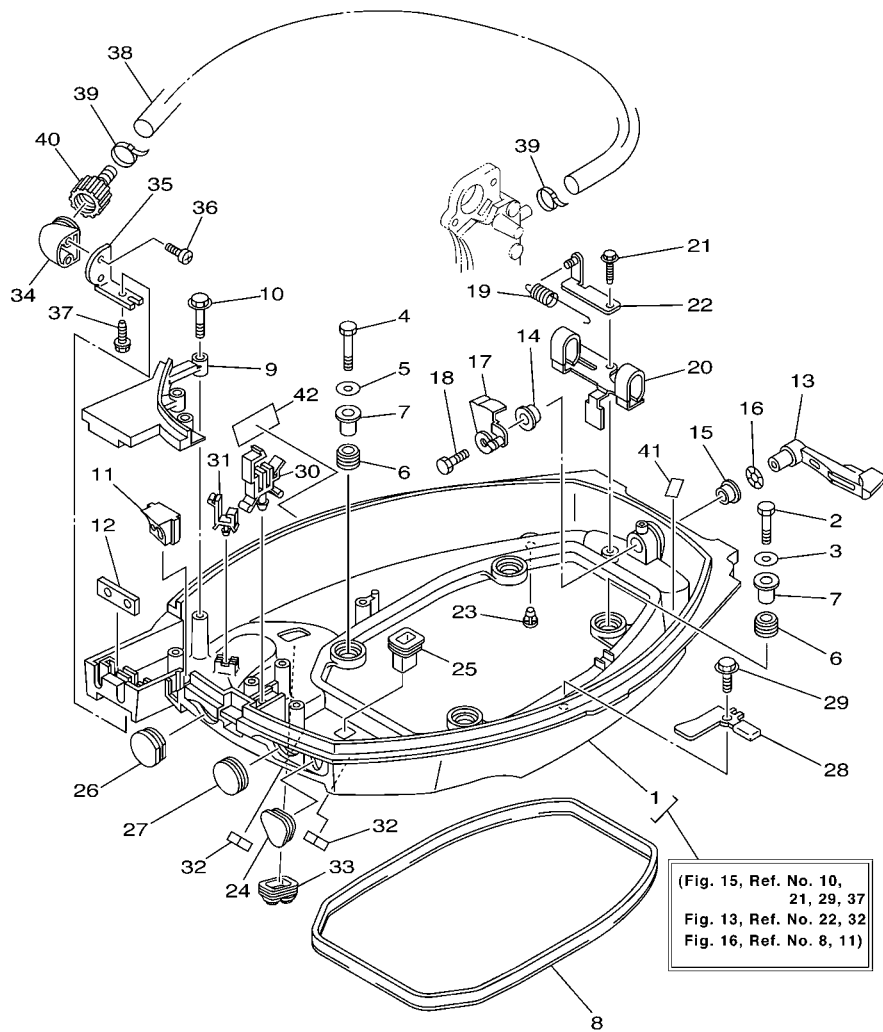
REF. NO.	PART NO.	DESCRIPTION	69C4				REMARKS
1	66M-81800-01	STARTING MOTOR ASSY	1				
2	65W-81826-00	.BOLT	2				
3	65W-81857-01	.RETAINER	1				
4	66M-81830-00	.FRONT BRACKET ASSY	1				
5	65W-81807-00	.GEAR ASSY, STARTING MOTOR	1				
6	65W-81850-01	.ARMATURE ASSY	1				
7	66M-81820-00	.REAR BRACKET ASSY	1				
8	65W-81801-00	..BRUSH SET	1				
9	65W-81840-00	..BRUSH HOLDER ASSY	1				
10	65W-8182S-00	..SCREW	2				
11	90119-08M39	BOLT, WITH WASHER	1				
12	90109-08M78	BOLT	1				
13	90109-08M85	BOLT	1				



69C4100-D150

FIG. 15 BOTTOM COWLING

REF. NO.	PART NO.	DESCRIPTION	69C4			REMARKS
1	69A-42710-13-4D	BOTTOM COWLING ASSY	1			WITH TAPPING BOLT
2	97095-06035	BOLT	2			
3	92995-06600	WASHER	2			
4	97095-06025	BOLT	2			
5	92995-06600	WASHER	2			
6	90480-15M31	GROMMET	4			
7	90387-06034	COLLAR	4			
8	66M-42716-00	RUBBER, SEAL 1	1			
9	66M-42738-00-4D	PLATE, FITTING	1			
10	90109-06M82	BOLT	3			
11	66M-42725-20	GROMMET	1			
12	62Y-42727-00	GROMMET	1			
13	6D4-42815-00-4D	LEVER, CLAMP	1			
14	90386-12M37	BUSH	1			
15	90386-12MA2	BUSH	1			
16	90206-12052	WASHER, WAVE	1			
17	6D4-42816-00	LEVER, CLAMP	1			
18	97095-06012	BOLT	1			
19	90506-18010	SPRING, TENSION	1			
20	6D4-42766-00	BRACKET 2	1			
21	90109-06M81	BOLT	1			
22	6D4-43144-00	HOOK, SPRING	1			
23	6H3-44391-01	NIPPLE, HOSE	1			
24	65W-26326-10	GROMMET	1			
25	682-42727-00	GROMMET	1			
26	682-42724-00	GROMMET	1			
27	65W-42726-10	GROMMET	1			



(Fig. 15, Ref. No. 10,
21, 29, 37
Fig. 13, Ref. No. 22, 32
Fig. 16, Ref. No. 8, 11)



69C4100-D150

FIG. 15 BOTTOM COWLING

REF. NO.	PART NO.	DESCRIPTION	69C4				REMARKS
28	66M-42743-00	BRACKET	2				
29	90109-06M86	BOLT	2				
30	90465-25M95	CLAMP	1				
31	90464-09M13	CLAMP	1				
32	66R-44532-00	STOPPER, UPPER MOUNT	2				
33	6H1-42726-21	GROMMET	1				FLUSHING KIT
34	68T-12572-00	ADAPTER	1				FLUSHING KIT
35	69W-12535-00	PLATE	1				FLUSHING KIT
36	90167-06002	SCREW, TAPPING	2				FLUSHING KIT
37	90109-06M86	BOLT	1				FLUSHING KIT
38	66M-12481-00	PIPE 1	1				FLUSHING KIT
39	90465-11M10	CLAMP	2				FLUSHING KIT
40	6R3-12580-00	JOINT ASSY	1				FLUSHING KIT
41	62Y-82377-00	LABEL	1				
42	6G8-13444-51	MARK	1				

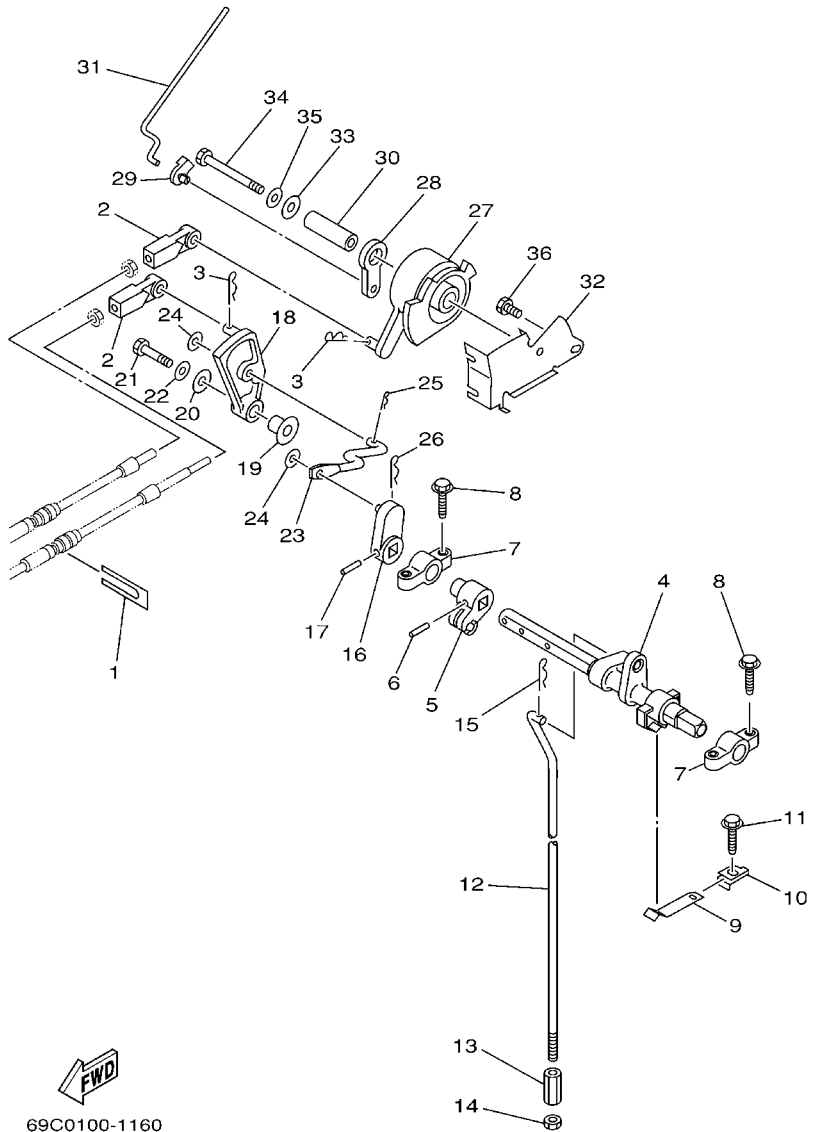


FIG. 16 CONTROL

REF. NO.	PART NO.	DESCRIPTION	69C4				REMARKS
1	6H3-48538-00	CLAMP, CABLE 1	1				
2	663-48344-00	CABLE END, REMOTE CONTROL	2				
3	90468-18008	CLIP	2				
4	65W-44121-00	LEVER, SHIFT ROD	1				
5	66M-44122-00	BUSHING, SHIFT ROD LEVER	1				
6	90254-03M05	PIN, SPRING	1				
7	6F5-41662-00	BRACKET	2				
8	90109-06M81	BOLT	4				
9	65W-44116-00	SPRING	1				
10	66R-44117-00	BRACKET	1				
11	90109-06M86	BOLT	1				
12	66M-44143-10	ROD, SHIFT	1				
13	90170-06015	NUT	1				
14	95380-06700	NUT	1				
15	90468-18008	CLIP	1				
16	65W-44142-00	JOINT	1				
17	90254-03M05	PIN, SPRING	1				
18	65W-44125-00	LEVER, SHIFT ROD	1				
19	90387-06M29	COLLAR	1				
20	90201-06M31	WASHER, PLATE	1				
21	97095-06025	BOLT	1				
22	92995-06600	WASHER	1				
23	66M-44192-00	JOINT, ROD 1	1				
24	90201-05M06	WASHER, PLATE	2				
25	90468-10005	CLIP	1				
26	90468-18008	CLIP	1				
27	65W-41638-00	PULLEY	1				

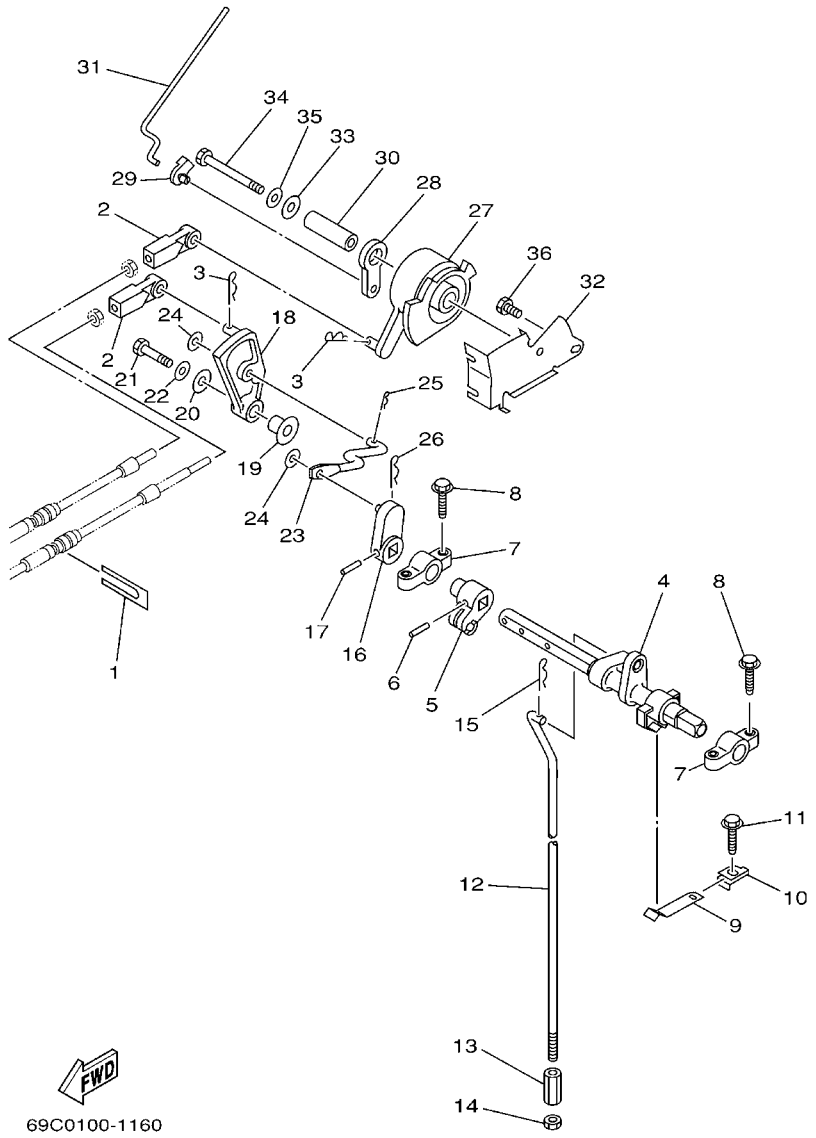
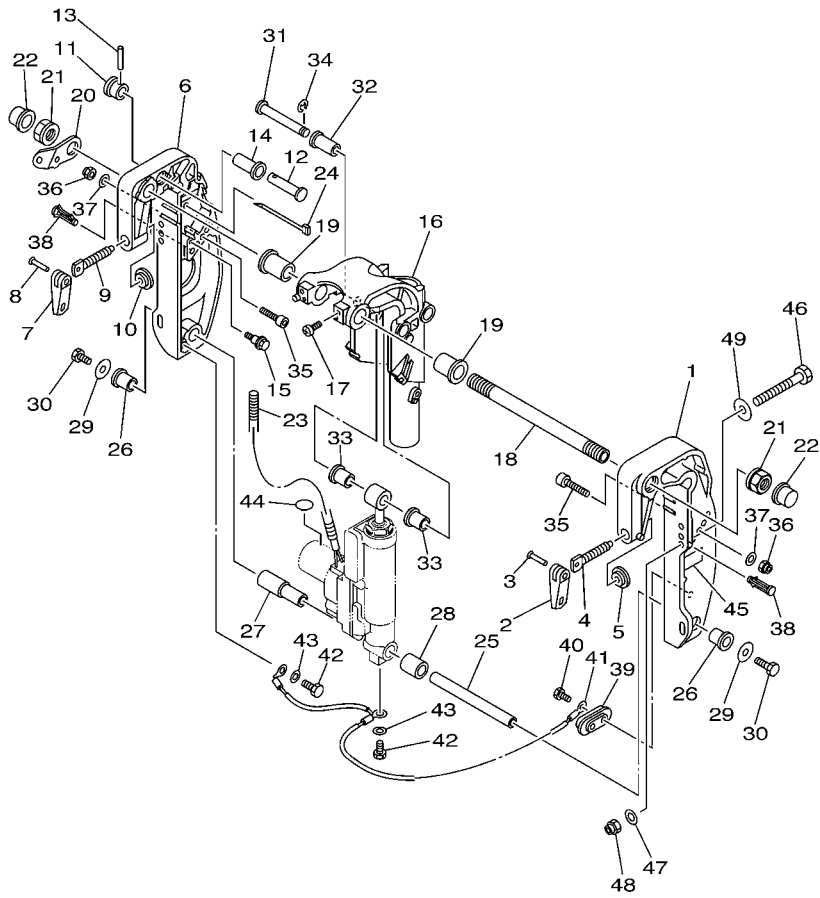


FIG. 16 CONTROL

REF. NO.	PART NO.	DESCRIPTION	69C4				REMARKS
28	65W-41283-00	LEVER, FREE ACCEL.	1				
29	661-41262-02	JOINT, CHOKE LEVER	1				
30	90387-06064	COLLAR	1				
31	66M-41211-00	LINK, ACCEL.	1				
32	65W-14497-01	STAY, THROTTLE WIRE	1				
33	90201-06M31	WASHER, PLATE	1				
34	97095-06055	BOLT	1				
35	92995-06600	WASHER	1				
36	97095-06010	BOLT	1				

D6



69C1100-2170

FIG. 17 BRACKET 1

REF. NO.	PART NO.	DESCRIPTION	69C4				REMARKS
1	69A-43111-00-4D	BRACKET, CLAMP	1				
2	6E0-43118-01	HANDLE, TRANSOM CLAMP	1				
3	90243-04M01	PIN	1				
4	6E7-43116-00	SCREW, TRANSOM CLAMP	1				
5	648-43114-01	PAD, TRANSOM CLAMP	1				
6	69A-43112-00-4D	BRACKET, CLAMP	1				
7	6E0-43118-01	HANDLE, TRANSOM CLAMP	1				
8	90243-04M01	PIN	1				
9	6E7-43116-00	SCREW, TRANSOM CLAMP	1				
10	648-43114-01	PAD, TRANSOM CLAMP	1				
11	65W-43192-00	KNOB, STOPPER	1				
12	65W-43191-00	SHAFT, STOPPER	1				
13	91690-30018	PIN, SPRING	1				
14	90386-14MA1	BUSH	1				
15	90109-06M04	BOLT	1				
16	69A-43311-10-4D	BRACKET, SWIVEL 1	1				
17	97885-08010	SCREW, PAN HEAD	2				
18	69A-43131-00	BOLT, CLAMP BRACKET	1				
19	90386-22MA4	BUSH	2				
20	69A-43113-00	PLATE, CLAMP BRACKET	1				
21	90185-22043	NUT, SELF-LOCKING	2				
22	6G5-43145-01	CAP, CLAMP BRACKET	2				
23	90446-14MH7	HOSE (L560)	1				
24	90465-13M97	CLAMP	1				
25	69G-43818-00	PIN, LOWER SHOCK MOUNT	1				
26	90386-16MA7	BUSH	2				
27	90386-16MA8	BUSH	1				

D7

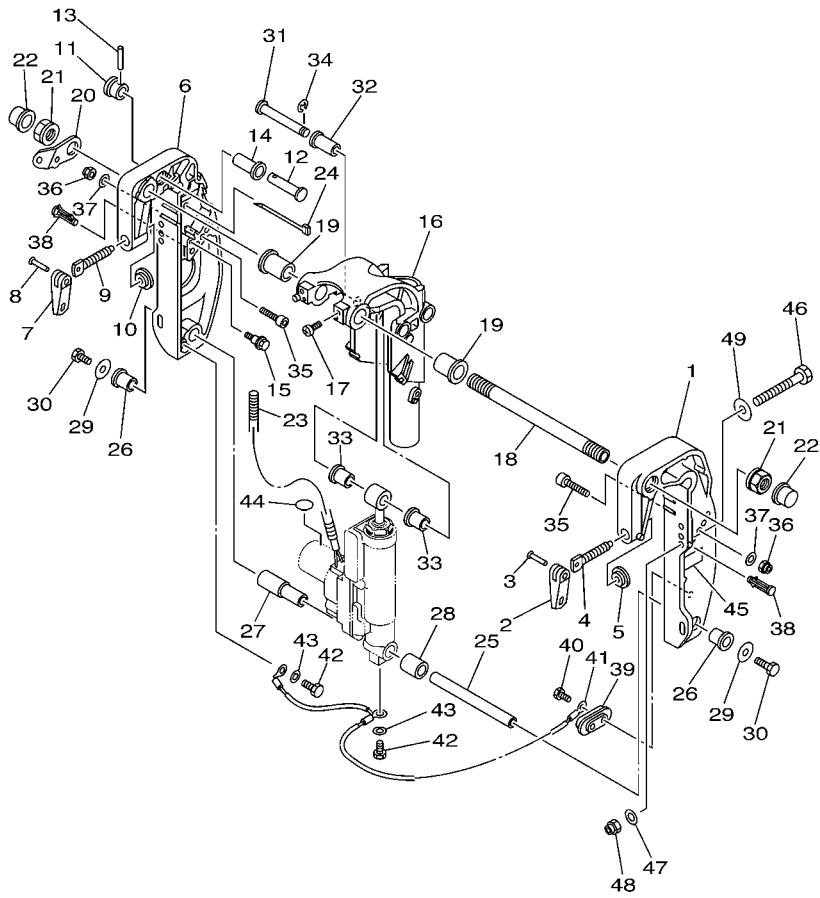
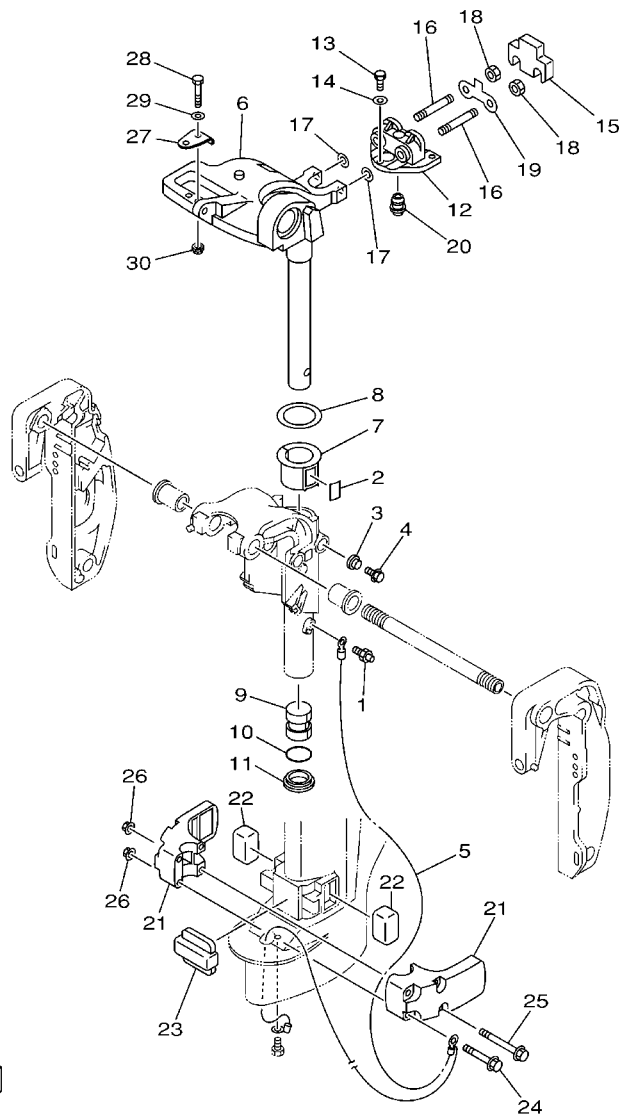


FIG. 17 BRACKET 1

REF. NO.	PART NO.	DESCRIPTION	69C4				REMARKS
28	90387-16M02	COLLAR	1				
29	90201-08M00	WASHER, PLATE	2				
30	97080-08016	BOLT	2				
31	90249-12M36	PIN	1				
32	90381-12M10	BUSH, SOLID	1				
33	90381-12M11	BUSH, SOLID	2				
34	93430-10M00	CIRCLIP	1				
35	90110-08M05	BOLT, HEXAGON SOCKET HEAD	2				
36	90185-08057	NUT, SELF-LOCKING	2				
37	92990-08600	WASHER, PLATE	2				
38	90338-08M19	PLUG	2				
39	65W-45251-00	ANODE	1				
40	90101-06020	BOLT	2				
41	63V-82127-00	WIRE, LEAD 2	1				
42	97095-06010	BOLT	2				
43	92995-06600	WASHER	2				
44	69A-43155-00	MARK 1	1				FOR CAN
45	63V-82377-50	LABEL (SPARK,IGNITION)	1				
46	90101-08M88	BOLT	2				
47	92990-08600	WASHER, PLATE	2				
48	90185-08057	NUT, SELF-LOCKING	2				
49	90201-08MA4	WASHER, PLATE	2				



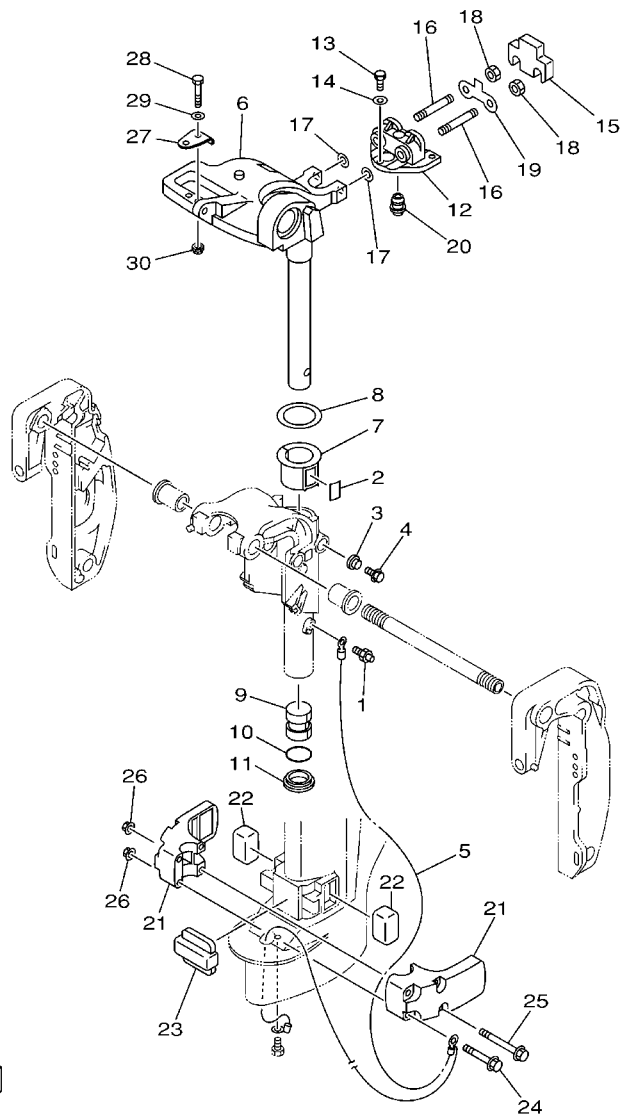
69C1100-2170



69C0100-0190

FIG. 18 BRACKET 2

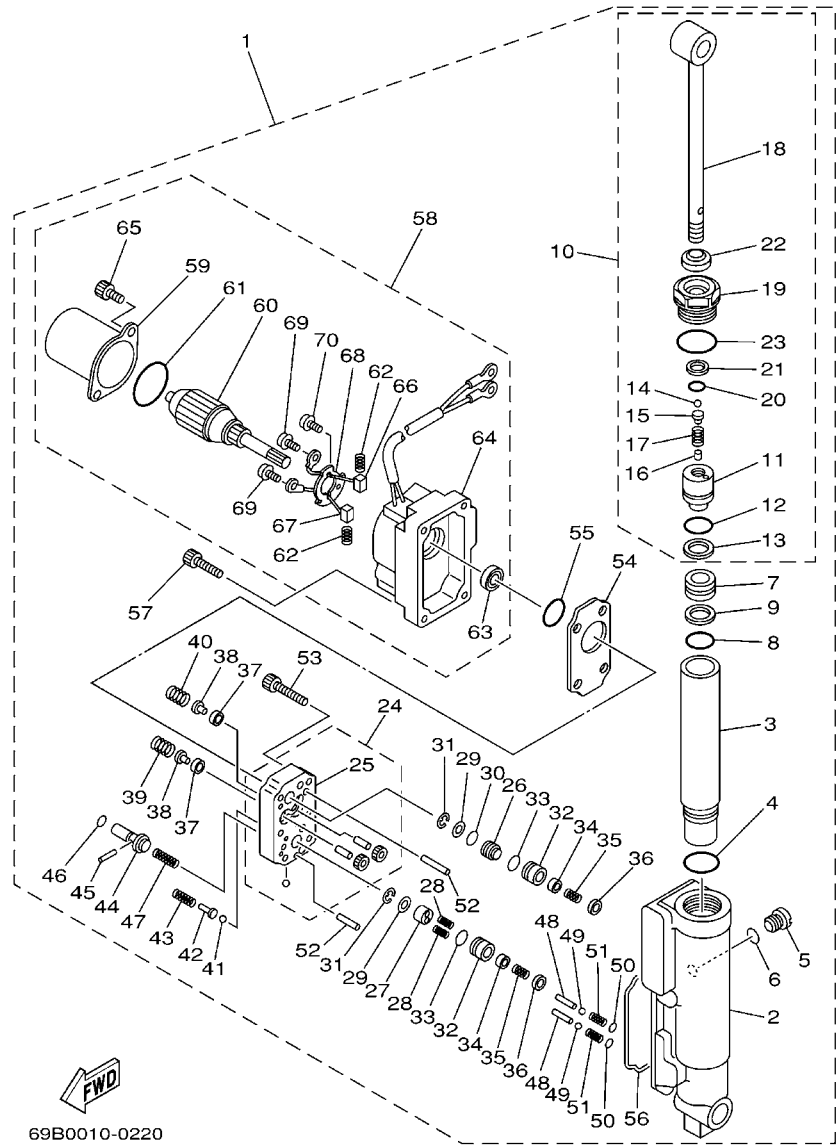
REF. NO.	PART NO.	DESCRIPTION	69C4				REMARKS
1	93700-06M03	NIPPLE, GREASE	1				
2	63V-42528-00	PLATE, FRICTION	1				
3	689-43373-01	SEAL, DAMPER	1				
4	90105-06M07	BOLT, FLANGE	1				
5	69A-82127-00	WIRE, LEAD 2	1				
6	66M-42511-11-4D	BRACKET, STEERING	1				
7	63V-42537-00	BUSHING, PIVOT SHAFT	1				
8	90201-45M28	WASHER, PLATE	1				
9	90386-30048	BUSH	1				
10	93210-29M94	O-RING	1				
11	90386-30M60	BUSH	1				
12	66M-44514-00-4D	MOUNT DAMPER, UPPER SIDE	1				
13	97075-06025	BOLT	3				
14	92995-06600	WASHER	3				
15	66R-44533-00	DAMPER, UPPER MOUNT RUBBER	1				
16	90116-08M54	BOLT, STUD	2				
17	90201-08M06	WASHER, PLATE	2				
18	95380-08600	NUT	2				
19	66M-44526-00	PLATE	1				
20	66M-44366-00	DAMPER, WATER SEAL	1				
21	66M-44551-00-4D	HOUSING, LOWER MOUNT RUBBER	2				
22	682-44555-30	MOUNT DAMPER, LOWER SIDE	2				
23	66M-44557-00	MOUNT DAMPER, LOWER FRONT	1				
24	90119-08M45	BOLT, WITH WASHER	2				
25	90119-08M46	BOLT, WITH WASHER	2				
26	90179-08M34	NUT	4				
27	63V-48511-01	HOOK, STEERING	1				



69C0100-0190

FIG. 18 BRACKET 2

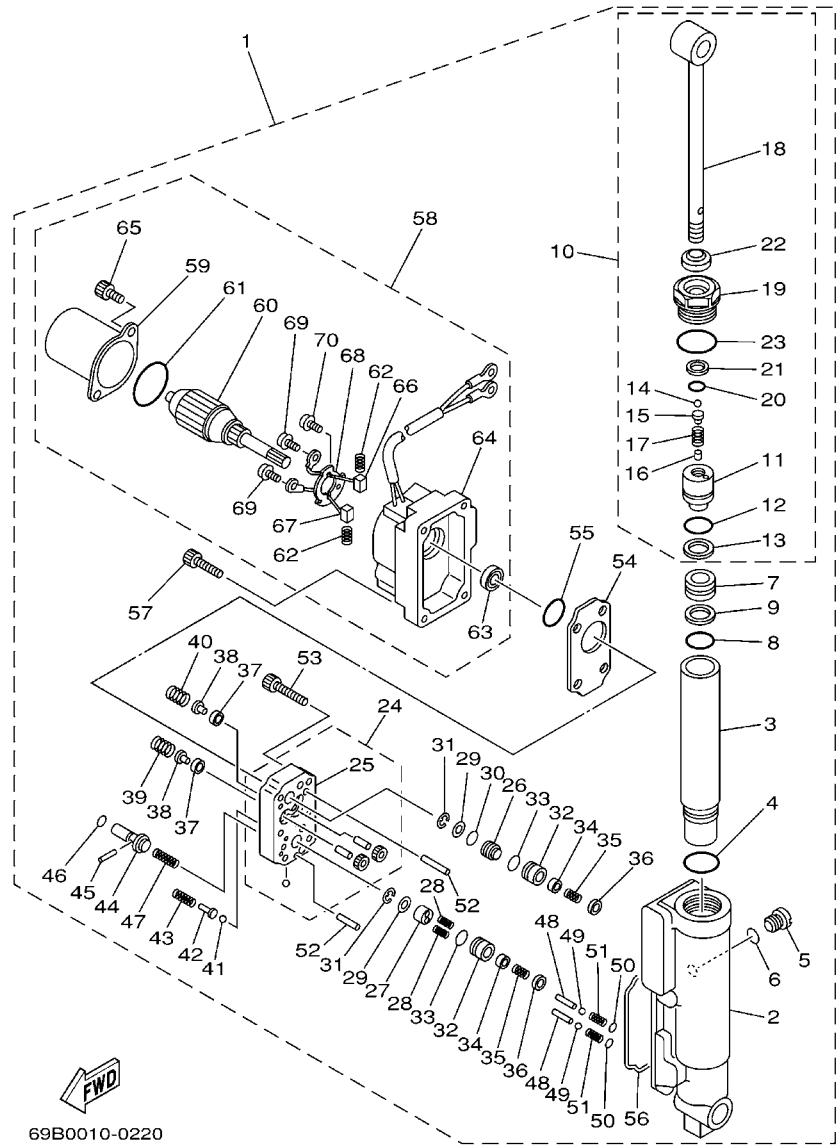
REF. NO.	PART NO.	DESCRIPTION	69C4				REMARKS
28	97075-08035	BOLT	1				
29	92995-08600	WASHER	1				
30	90185-08057	NUT, SELF-LOCKING	1				



69B0010-0220

FIG. 19 POWER TILT ASSY

REF. NO.	PART NO.	DESCRIPTION	69C4				REMARKS
1	69A-43840-00-4D	POWER TILT ASSY	1				
2	69A-4380K-00	.CYLINDER, TILT SUB ASSY	1				
3	69A-22471-00	.CASE, CYLINDER	1				
4	93210-27666	.O-RING	1				
5	6H1-4388E-11	.PLUG, TAPER SCREW	1				
6	93210-07003	.O-RING	1				
7	69A-43814-00	.PISTON, FREE	1				
8	93210-21276	.O-RING	1				
9	69A-43872-00	.RING, BACK UP	1				
10	69A-43810-00	.TILT PISTON SUB ASSY	1				
11	69A-4380D-00	..PISTON COMP.	1				
12	93210-21276	..O-RING	1				
13	69A-43872-00	..RING, BACK UP	1				
14	93505-32038	..BALL	1				
15	65W-4386A-00	..PIN, ABSORBER VALVE	1				
16	93604-06136	..PIN, DOWEL	1				
17	69A-43857-00	..SPRING, ABSORBER VALVE	1				
18	69A-43801-00	..ROD	1				
19	69A-43811-01	..SCREW, CYLINDER END	1				
20	6H1-43866-00	..O-RING	1				
21	69A-43871-00	..RING, BACK UP	1				
22	69A-43812-00	..SEAL, DUST	1				
23	69A-43869-00	..O-RING	1				
24	69A-43830-00	.GEAR PUMP ASSY	1				
25	69A-4380C-00	..GEAR HOUSING ASSY	1				
26	69A-43841-00	.PISTON, SHUTTLE	1				
27	69A-4384M-00	.PISTON, SHUTTLE 2	1				



69B0010-0220

FIG. 19 POWER TILT ASSY

REF. NO.	PART NO.	DESCRIPTION	69C4				REMARKS
28	62Y-43894-00	.SPRING, SHUTTLE RETURN	2				
29	69A-4384F-00	.SEAL, MAIN VALVE	2				
30	6H1-43883-00	.O-RING	1				
31	99001-03600	.CIRCLIP	2				
32	69A-4382G-00	.VALVE SEAT	2				
33	93210-12N52	.O-RING	2				
34	6T4-43808-00	.SEAT VALVE COMP. 1	2				
35	6T4-43853-00	.SPRING, MAIN VALVE	2				
36	6H1-43816-00	.FILTER 1	2				
37	6H1-4384G-11	.SEAL, RELIEF VALVE	2				
38	6H1-43844-10	.PIN, VALVE SUPPORT	2				
39	69A-43855-00	.SPRING, UP RELIEF	1				
40	6H1-43856-10	.SPRING, DOWN RELIEF	1				
41	93501-08001	.BALL	2				
42	69A-4386A-00	.PIN, ABSORBER VALVE	2				
43	69A-43824-00	.SPRING, DOWN RELIEF 2	2				
44	69A-43848-00	.ROD, MANUAL RELEASE	1				
45	93602-15250	.PIN, DOWEL	1				
46	93210-06001	.O-RING	1				
47	69A-43854-00	.SPRING, MANUAL RELEASE	1				
48	69A-4381G-00	.PIN 1	2				
49	93501-08001	.BALL	2				
50	6H1-43883-00	.O-RING	2				
51	69A-4384H-00	.SPRING	2				
52	93606-14081	.PIN, DOWEL	2				
53	91317-05025	.BOLT	6				
54	69A-43816-01	.FILTER 1	1				

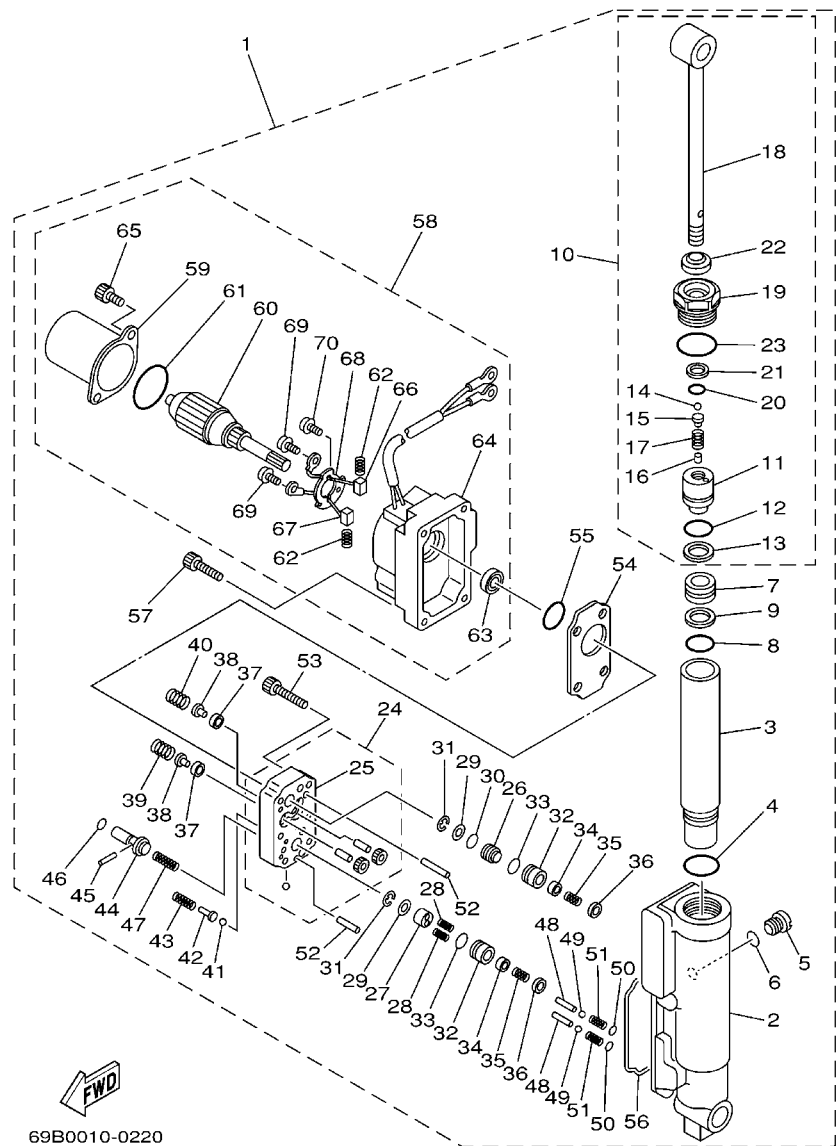
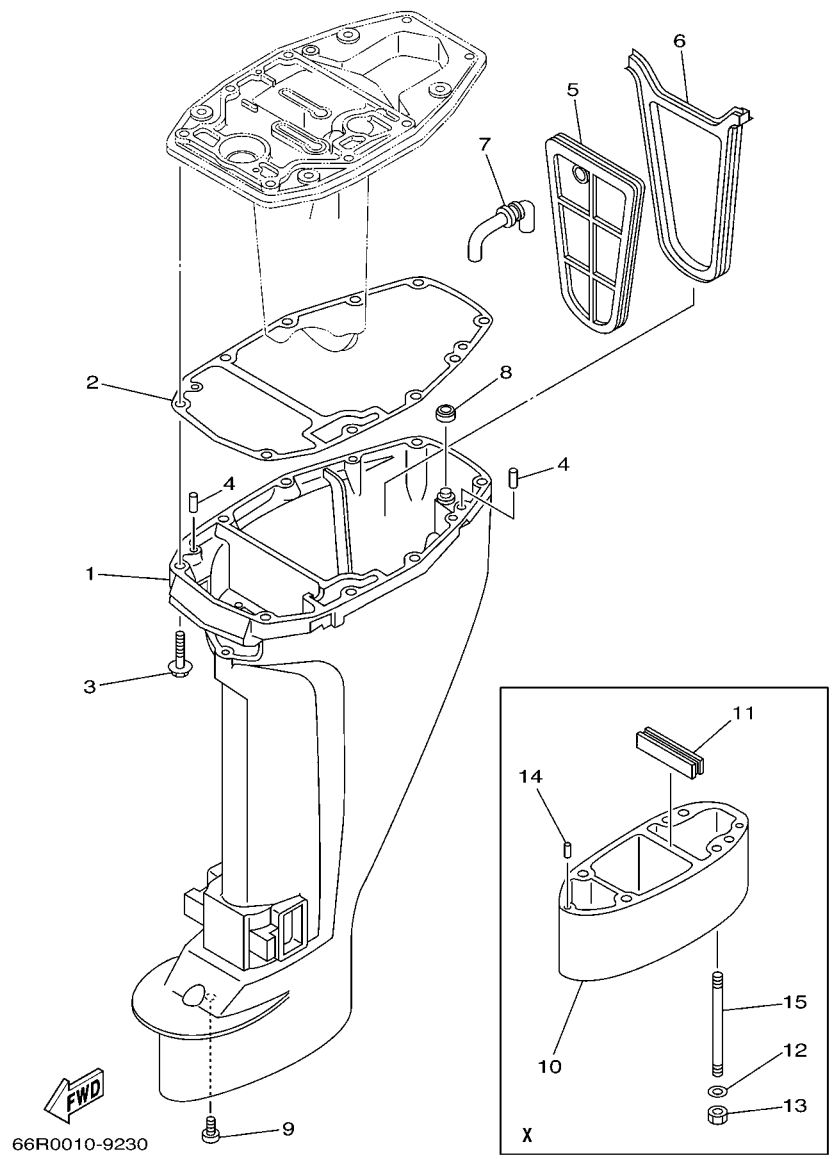


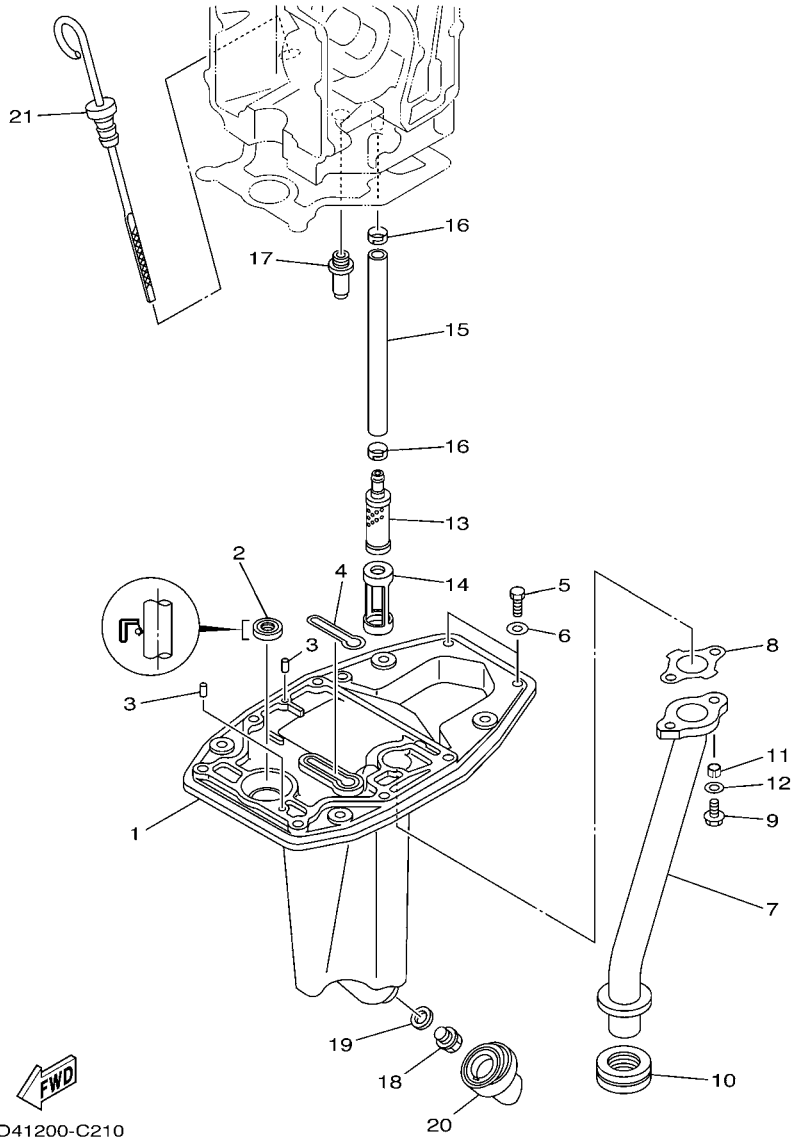
FIG. 19 POWER TILT ASSY

REF. NO.	PART NO.	DESCRIPTION	69C4				REMARKS
55	N35-43862-10	.O-RING	1				
56	69A-23129-00	.GASKET, DRAIN PLUG	1				
57	69A-43878-00	.BOLT, SOCKET	4				
58	69A-43880-00	.MOTOR ASSY	1				
59	65W-43804-00	..STATOR ASSY	1				
60	65W-43805-00	..ARMATURE ASSY	1				
61	65W-43869-00	..O-RING	1				
62	65W-4386K-00	..SPRING, BRUSH	2				
63	65W-43882-00	..OIL SEAL	1				
64	69A-43881-00	..FRAME, END	1				
65	65W-43887-00	..BOLT, THROUGH	2				
66	65W-43892-00	..BRUSH 2	1				
67	65W-43891-00	..BRUSH 1	1				
68	65W-4380F-00	..PLATE, BRUSH HOLDER	1				
69	65W-43879-00	..SCREW, WITH WASHER	2				
70	65W-4388E-00	..BOLT	1				

FIG. 20 UPPER CASING



REF. NO.	PART NO.	DESCRIPTION	66C4				REMARKS
1	66M-45111-10-4D	CASING, UPPER	1				
2	66M-45113-00	GASKET, UPPER CASING	1				
3	97575-08545	BOLT, WITH WASHER	6				
4	93606-12019	PIN, DOWEL	2				
5	66M-45126-00	PLATE, SEAL DAMPER	1				
6	66M-45115-00	GASKET, UPPER CASING	1				
7	66M-45136-00	PIPE	1				
8	66M-45128-00	SEAL 2	1				
9	90157-06M06	SCREW, PAN HEAD	1				
10	66R-45211-20-4D	EXTENSION	1				X
11	63V-45127-00	SEAL	1				X
12	92990-08600	WASHER, PLATE	4				X
13	95380-08600	NUT	4				X
14	93604-12M07	PIN, DOWEL	2				X
15	90116-08M62	BOLT, STUD	4				X



6D41200-C210

FIG. 21 OIL PAN

REF. NO.	PART NO.	DESCRIPTION	69C4				REMARKS
1	66M-41137-00-5B	GUIDE, EXHAUST	1				
2	93101-12M63	OIL SEAL	1				
3	93606-12019	PIN, DOWEL	2				
4	66M-11355-00	SEAL, CYLINDER 1	1				
5	97095-06020	BOLT	2				
6	92995-06600	WASHER	2				
7	6D4-41131-00-94	MANIFOLD, EXT. 1	1				
8	66M-41133-01	GASKET, EXHAUST MANIFOLD 1	1				
9	90119-06090	BOLT, WITH WASHER	2				
10	6D4-41138-00	SEAL, EXT. 1	1				
11	90387-05008	COLLAR	2				
12	90201-06015	WASHER, PLATE	2				
13	66M-13421-00	STRAINER 2	1				
14	66M-13417-00	COVER, STRAINER	1				
15	66M-13416-00	PIPE, OIL 1	1				
16	66M-24351-00	BAND 1	2				
17	6G8-11575-00	RELIEF VALVE ASSY	1				
18	90340-14M06	PLUG, STRAIGHT SCREW	1				
19	90430-14M09	GASKET	1				
20	66M-15316-00	DAMPER, ENGINE MOUNT 1	1				
21	66M-15362-00	PLUG, OIL LEVEL	1				

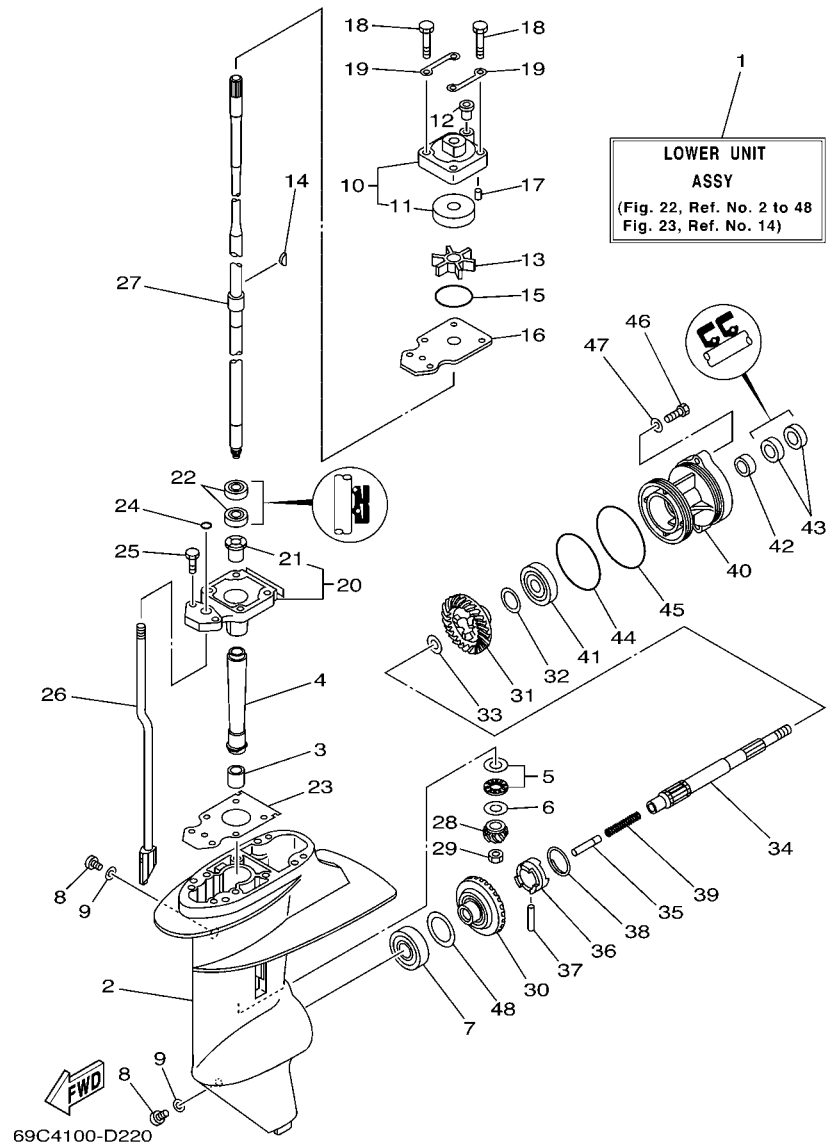


FIG. 22 LOWER CASING & DRIVE 1

REF. NO.	PART NO.	DESCRIPTION	69C4				REMARKS
1	69C-45300-12-4D	LOWER UNIT ASSY	1				L
	69C-45300-22-4D	LOWER UNIT ASSY	1				X
2	66R-45311-01-4D	CASING, LOWER	1				
3	93315-314V8	BEARING	1				
4	66R-45536-00	SLEEVE, DRIVE SHAFT	1				
5	93341-41416	BEARING	1				
6	66R-45587-00	SHIM (T:1.13MM)	1				UR
	66R-45587-10	SHIM (T:1.20MM)	1				UR
7	93332-00005	BEARING	1				
8	90340-08002	PLUG, STRAIGHT SCREW	2				
9	90430-08020	GASKET	2				
10	63V-44301-00	WATER PUMP HOUSING COMP.	1				
11	63V-44322-00	.INSERT, CARTRIDGE	1				
12	647-44366-00	DAMPER, WATER SEAL	1				
13	63V-44352-01	IMPELLER	1				
14	664-44338-00	KEY, WOODRUFF	1				
15	93210-44398	O-RING	1				
16	63V-44323-00	OUTER PLATE, CARTRIDGE	1				
17	93604-12M07	PIN, DOWEL	2				
18	97080-08045	BOLT	4				
19	63V-44328-00	PLATE	2				
20	63V-45331-00-5B	HOUSING, BEARING	1				
21	626-45316-09	.BUSHING, DRIVE SHAFT	1				
22	93101-20001	OIL SEAL	2				
23	63V-45315-A0	PACKING, LOWER CASING	1				
24	93210-06ME6	O-RING	1				
25	97080-08025	BOLT	2				

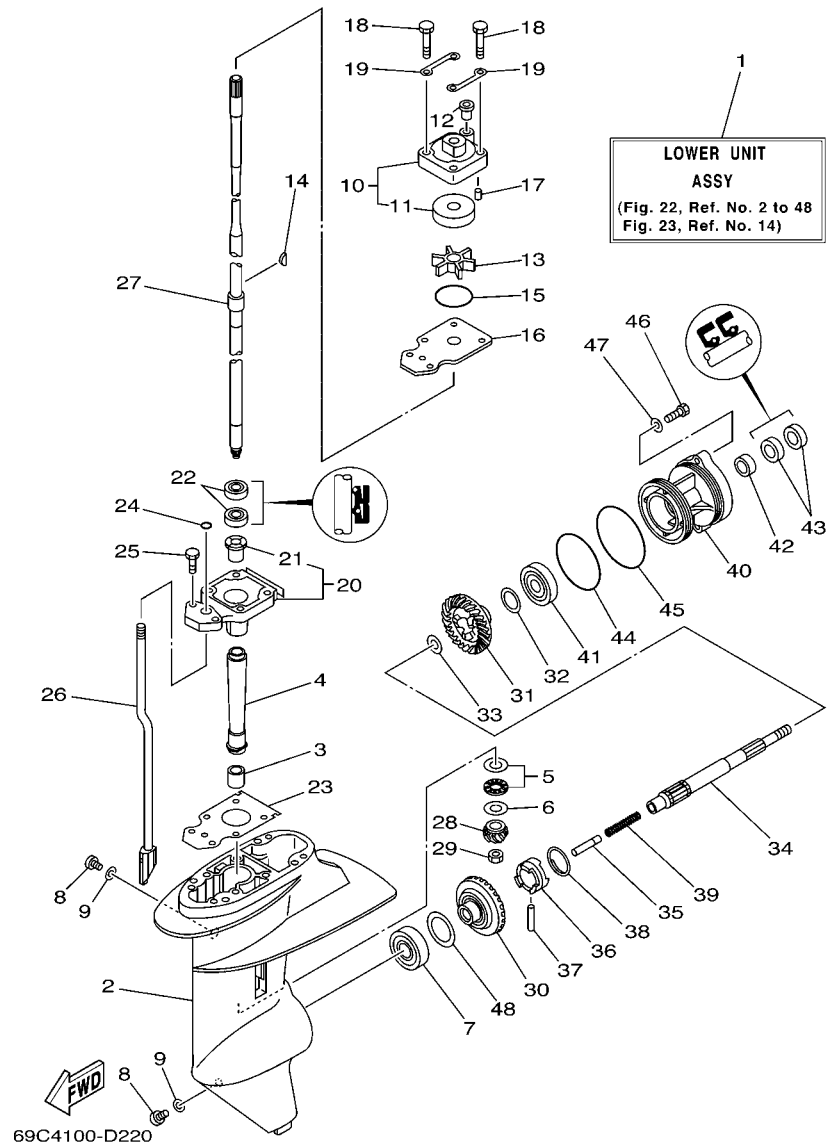


FIG. 22 LOWER CASING & DRIVE 1

REF. NO.	PART NO.	DESCRIPTION	69C4				REMARKS
26	66R-44150-10	SHIFT CAM ASSY	1				L
	66R-44150-20	SHIFT CAM ASSY	1				X
27	69C-45510-10	DRIVE SHAFT ASSY	1				L
	69C-45510-20	DRIVE SHAFT ASSY	1				X
28	66R-45551-00	PINION (13T)	1				
29	90179-08M06	NUT	1				
30	66R-45560-01	GEAR 1 (38T)	1				
31	66R-45571-00	GEAR 2 (38T)	1				
32	626-45577-00	SHIM (T:0.10MM)	1				UR
	626-45577-10	SHIM (T:0.20MM)	1				UR
	626-45577-20	SHIM (T:0.30MM)	1				UR
	626-45577-30	SHIM (T:0.40MM)	1				UR
	626-45577-40	SHIM (T:0.50MM)	1				UR
33	90201-17682	WASHER, PLATE	1				
34	683-45611-00	SHAFT, PROPELLER	1				
35	650-45635-00	PLUNGER, SHIFT	1				
36	682-45631-00	CLUTCH, DOG	1				
37	90250-05010	PIN, STRAIGHT	1				
38	648-45633-00	RING, CROSS PIN	1				
39	90501-14M09	SPRING, COMPRESSION	1				
40	66R-45361-00-4D	CAP, LOWER CASING	1				
41	93306-00501	BEARING (B6005)	1				
42	93315-317U2	BEARING	1				
43	93101-17054	OIL SEAL	2				
44	93210-74M68	O-RING	1				
45	93210-74316	O-RING	1				
46	97095-06025	BOLT	2				

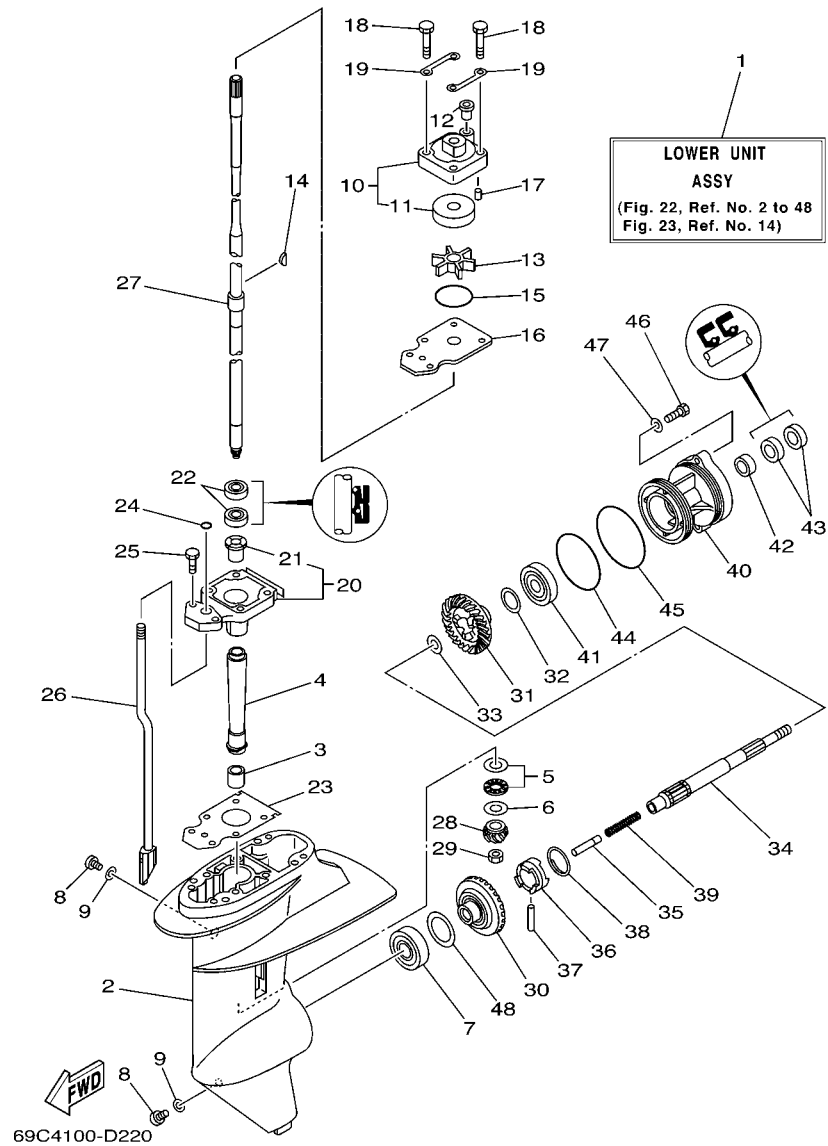
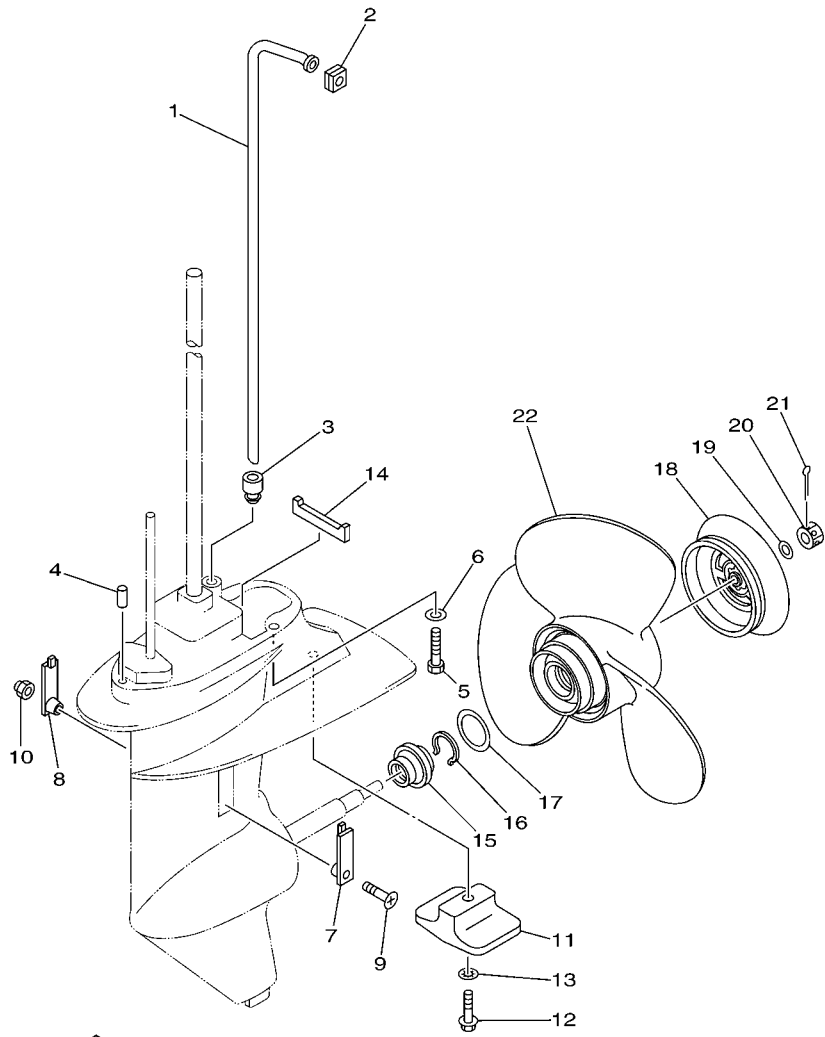


FIG. 22 LOWER CASING & DRIVE 1

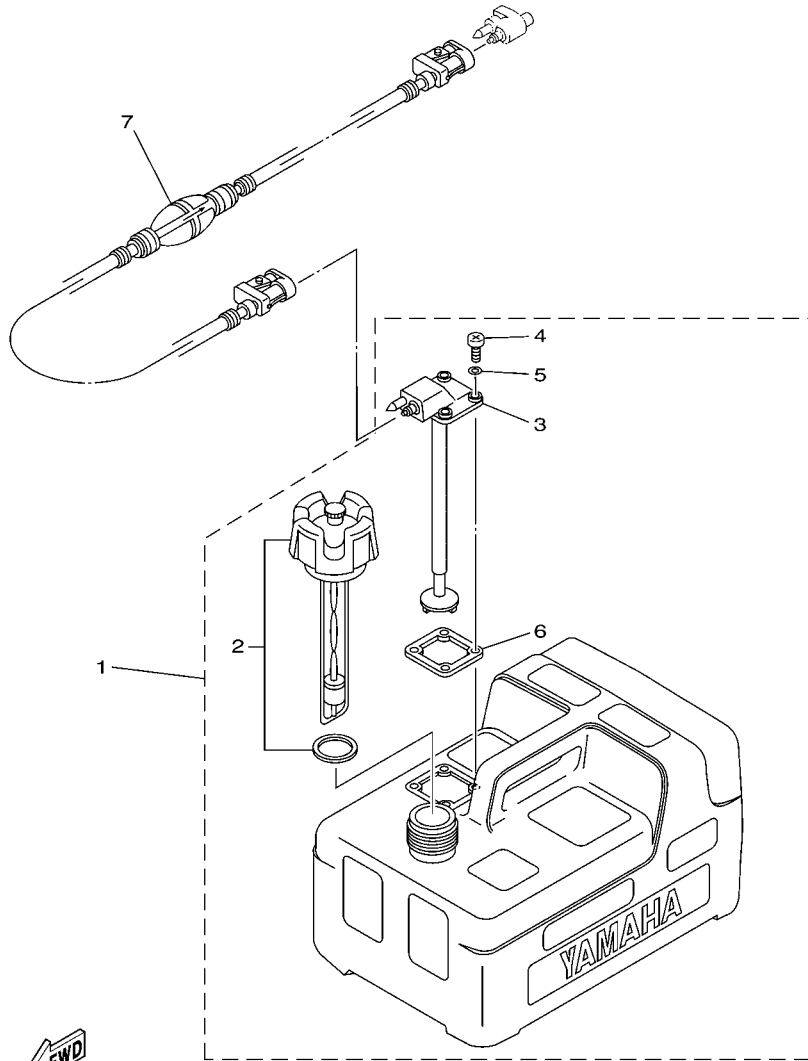
REF. NO.	PART NO.	DESCRIPTION	69C4				REMARKS
47	92995-06600	WASHER	2				
48	626-45577-00	SHIM (T:0.10MM)	1				UR
	626-45577-10	SHIM (T:0.20MM)	1				UR
	626-45577-20	SHIM (T:0.30MM)	1				UR
	626-45577-30	SHIM (T:0.40MM)	1				UR
	626-45577-40	SHIM (T:0.50MM)	1				UR



66R0700-9250

FIG. 23 LOWER CASING & DRIVE 2

REF. NO.	PART NO.	DESCRIPTION	69C4				REMARKS
1	66M-44361-10	TUBE, WATER	1				L
	66R-44361-20	TUBE, WATER	1				X
2	63V-44365-10	DAMPER, WATER SEAL	1				
3	63V-44368-00	RUBBER, WATER SEAL 4	1				
4	93604-12M07	PIN, DOWEL	2				
5	97075-08035	BOLT	4				L
6	92995-08600	WASHER	4				L
7	6G1-45214-00	COVER, WATER INLET	1				
8	63V-45215-00	COVER, WATER INLET	1				
9	90152-05M04	SCREW, COUNTERSUNK	1				
10	90185-05002	NUT, SELF-LOCKING	1				
11	61N-45251-01	ANODE	1				
12	95895-06030	BOLT, FLANGE	1				
13	92990-06300	WASHER, INTERNAL TOOTH	1				
14	63V-45375-00	DAMPER, SEAL	1				
15	6G8-45987-02	SPACER	1				
16	93450-10M04	CIRCLIP	1				
17	90201-31MA3	WASHER, PLATE	1				
18	6G8-45986-00	RING, DEFLECTOR	1				
19	90201-10M02	WASHER, PLATE	1				
20	90171-10M07	NUT, CASTLE	1				
21	91490-30025	PIN, COTTER	1				
22	6G8-45941-00	PROPELLER (3X11-3/4"X11"-R)	1				UR
	6G8-45943-00	PROPELLER (3X11-3/4"X9-1/4"-R)	1				UR
	6G8-45945-00	PROPELLER(3X11-3/4"X12-1/4"-R)	1				UR
	6G8-45947-00-EL	PROPELLER (3X11-3/4"X9-1/4"-R)	1				UR ALUMINIUM

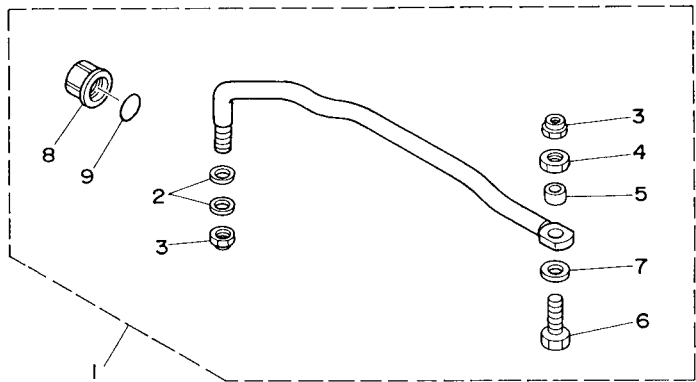



 66M4100-D270

FIG. 24 FUEL TANK

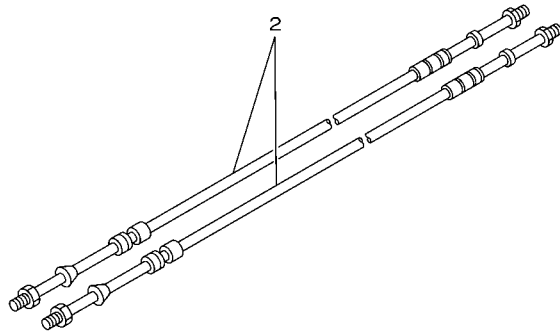
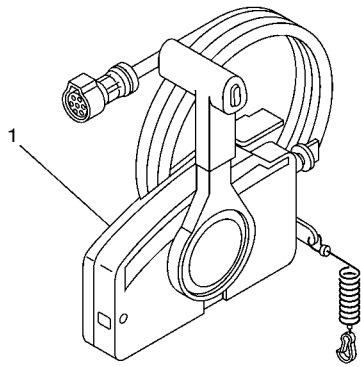
REF. NO.	PART NO.	DESCRIPTION	QTY	REMARKS
1	6YL-24201-04	FUEL TANK ASSY (12L)	1	AP
2	6YL-24610-01	.CAP ASSY	1	
3	6YL-24260-01	.FUEL METER ASSY	1	
4	90157-05M16	.SCREW, PAN HEAD	4	
5	6YL-24329-00	.SEAL	4	
6	6YL-24268-01	.GASKET, FUEL METER	1	
7	6YL-24306-53	FUEL PIPE COMP. 1	1	AP

FIG. 25 STEERING GUIDE



63V0100-5210

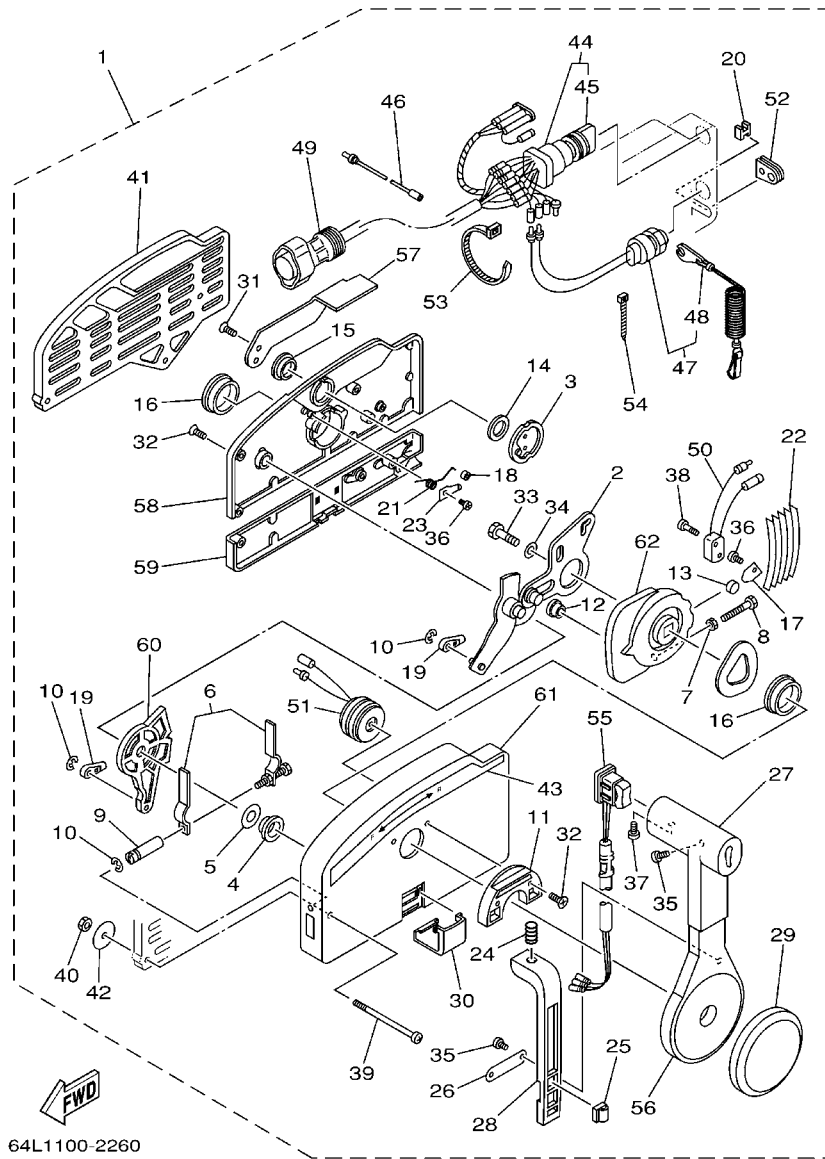
REF. NO.	PART NO.	DESCRIPTION	89C4				REMARKS
1	63V-61350-00	STEERING GUIDE ATTACHMENT KIT	1				AP
2	90201-10M20	.WASHER, PLATE	2				
3	90185-09M01	.NUT, SELF-LOCKING	2				
4	90170-09M03	.NUT	1				
5	90387-10M42	.COLLAR	1				
6	6E5-61355-00	.BOLT	1				
7	90201-10M63	.WASHER, PLATE	1				
8	6E5-43145-01	.CAP, CLAMP BRACKET	1				
9	93210-16275	.O-RING	1				



67M0100-8280

FIG. 26 REMOTE CONTROL BOX

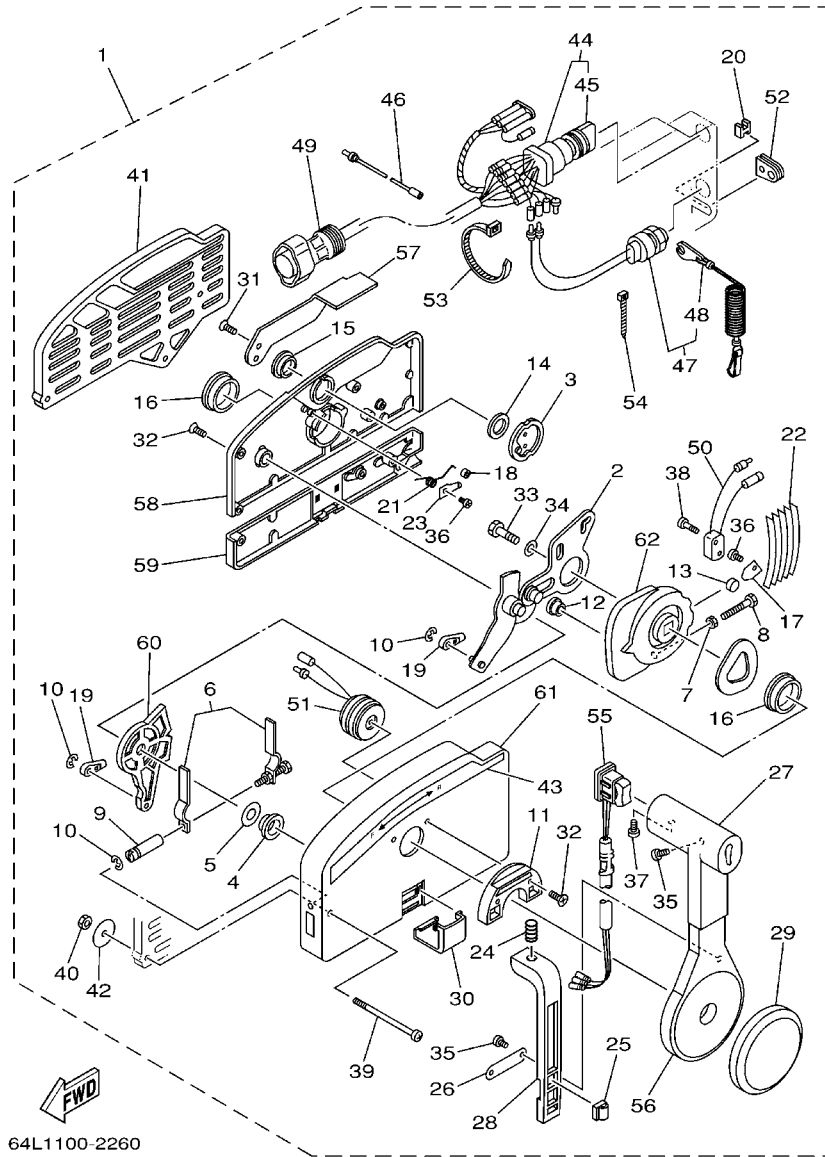
REF. NO.	PART NO.	DESCRIPTION	89C4				REMARKS
1	703-48205-17	REMOTE CONTROL ASSY (10P)	1				AP WITH PT/T SW.
2	701-48310-80	CABLE, REMOTE CONTROL L=10F	2				UR
	701-48310-90	CABLE, REMOTE CONTROL L=11F	2				UR
	701-48320-00	CABLE, REMOTE CONTROL L=12F	2				UR



64L1100-2260

FIG. 27 REMOTE CONTROL ASSY

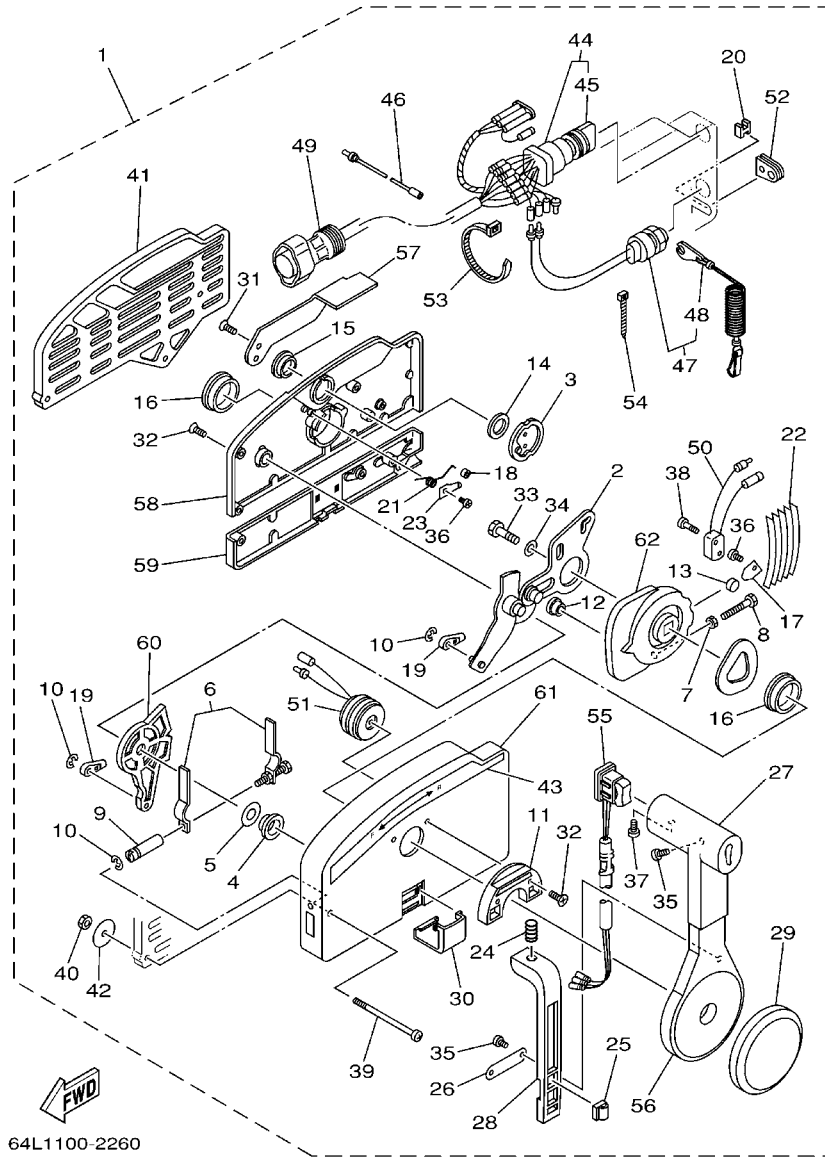
REF. NO.	PART NO.	DESCRIPTION	89C4			REMARKS
1	703-48205-17	REMOTE CONTROL ASSY (10P)	1			AP WITH PT/T SW.
2	703-48261-01	.ARM, THROTTLE	1			
3	703-48153-00	.SHAFT, FREE ACCEL.	1			
4	703-48235-00	.BUSHING	1			
5	703-48268-00	.SPACER	1			
6	703-48264-00	.FRICTION, THROTTLE	1			
7	95380-05600	.NUT	1			
8	97380-05025	.BOLT	1			
9	703-48265-00	.SHAFT, FRICTION	1			
10	93430-06024	.CIRCLIP	3			
11	703-48245-00	.PLATE, LOCK	1			
12	703-48252-00	.ROLLER, CAM	1			
13	701-48248-00	.ROLLER, FREE ACCEL.	1			
14	703-48198-00	.WASHER, WAVE	1			
15	703-48243-00	.BUSHING	1			
16	703-48236-00	.BUSHING 1	2			
17	703-48189-00	.RETAINER	1			
18	703-48234-00	.ROLLER, DETENT	1			
19	703-48345-01	.CABLE END, REMOTE CONTROL 2	2			
20	703-48358-00	.ANCHOR, CABLE	1			
21	703-48244-00	.SPRING, FREE ACCEL.	1			
22	703-48238-00	.SPRING, DETENT	5			
23	703-48246-00	.SPACER	1			
24	703-48227-00	.SPRING, NEUTRAL LOCK	1			
25	703-82594-00	.CLAMP	1			WITH PT/T SW.
26	703-48226-00	.PLATE, STOPPER	1			
27	703-48222-00	.GRIP, CONTROL LEVER	1			SINGLE



64L1100-2260

FIG. 27 REMOTE CONTROL ASSY

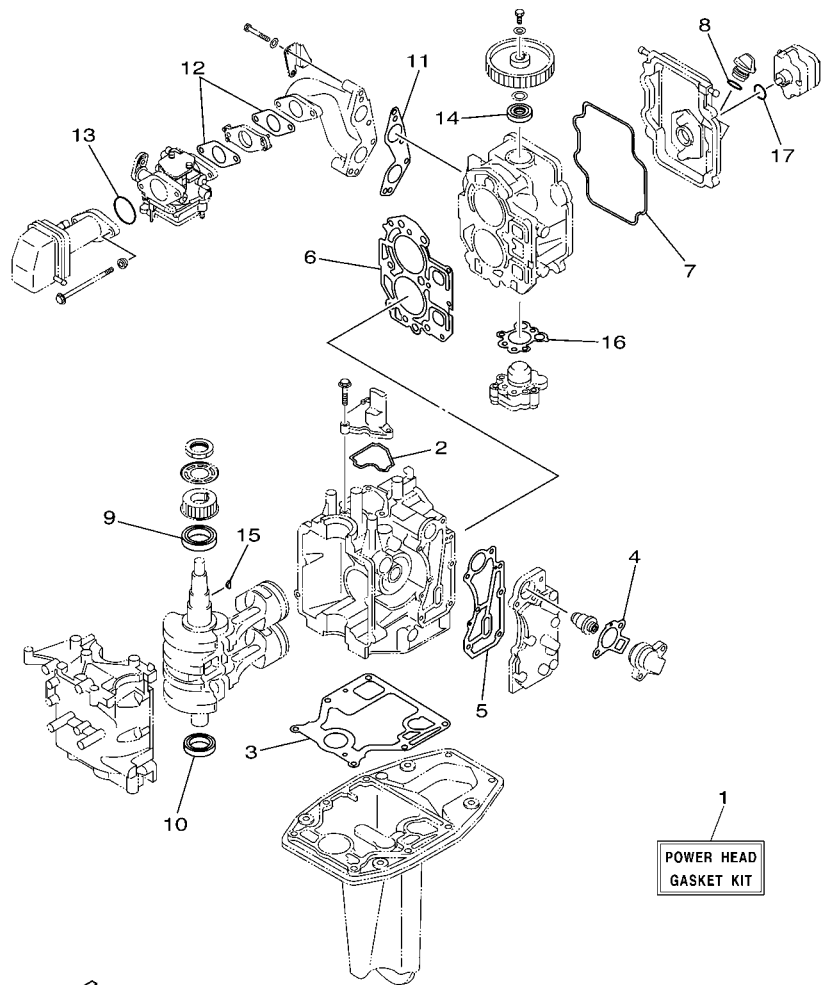
REF. NO.	PART NO.	DESCRIPTION	89C4				REMARKS
28	703-48223-00	.LOCK, NEUTRAL	1				
29	703-48225-00	.COVER	1				
30	703-48219-00	.COVER, LEAD	1				
31	703-48281-00	.SCREW	2				
32	703-48282-00	.SCREW	7				
33	97380-08030	.BOLT	1				
34	92990-08600	.WASHER, PLATE	1				
35	98580-04010	.SCREW, PAN HEAD	3				
36	98580-04006	.SCREW, PAN HEAD	2				
37	98580-05010	.SCREW, PAN HEAD	1				
38	98580-03015	.SCREW, PAN HEAD	2				
39	703-48291-10	.SCREW (M6)	3				
40	95380-06600	.NUT, HEXAGON	3				
41	703-48293-10	.SPACER, REMOTE CONTROL	1				SINGLE
42	701-48287-00	.WASHER	3				
43	703-48215-00	.GRAPHIC	1				
44	703-82510-43	.MAIN SWITCH ASSY	1				
45	703-82577-00	..CAP, KEY	1				
46	703-82531-00	.WIRE, LEAD	1				
47	688-82575-01	.ENGINE STOP SWITCH ASSY	1				
48	682-82556-00	..STOPPER	1				
49	688-8258A-20	.EXTENSION, WIRE HARNESS	1				L:5M (10P)
50	703-82540-00	.NEUTRAL SWITCH ASSY	1				
51	703-83383-02	.BUZZER	1				
52	703-48284-00	.GROMMET	1				
53	703-82591-00	.BAND	1				
54	703-82592-00	.BAND	1				



64L1100-2260

FIG. 27 REMOTE CONTROL ASSY

REF. NO.	PART NO.	DESCRIPTION	69C4				REMARKS
55	703-82563-02	.TRIM & TILT SWITCH ASSY	1				WITH PT/T SW.
56	703-48221-00	.LEVER, CONTROL	1				
57	703-48152-00	.KNOB, FREE ACCEL.	1				
58	703-48212-00	.BACK PLATE 1	1				
59	703-48213-00	.BACK PLATE 2	1				
60	703-48271-00	.ARM, SHIFT	1				
61	703-48211-01	.HOUSING,1	1				
62	703-48232-00	.GEAR	1				

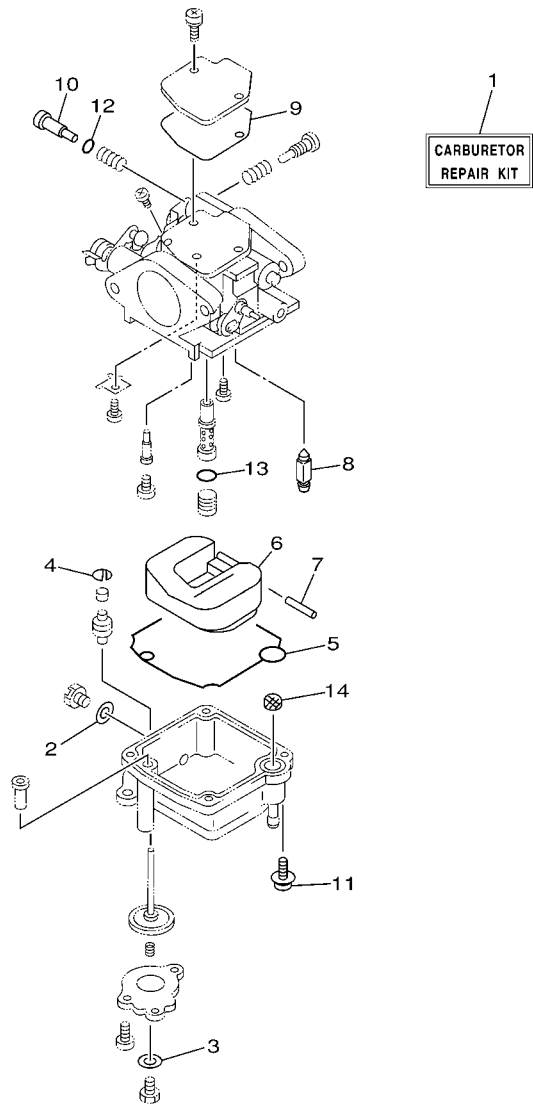


FWD
6D41200-C280

FIG. 28 REPAIR KIT 1

REF. NO.	PART NO.	DESCRIPTION	69C4				REMARKS
1	66M-W0001-02	POWER HEAD GASKET KIT	1				
2	66M-11357-00	.SEAL, CYLINDER 3	1				
3	66M-11351-10	.GASKET, CYLINDER	1				
4	62Y-12414-00	.GASKET, COVER	1				
5	66M-41114-01	.GASKET, EXHAUST OUTER COVER	1				
6	66M-11181-10	.GASKET, CYLINDER HEAD 1	1				
7	66M-11356-00	.SEAL, CYLINDER 2	1				
8	93210-24M79	.O-RING	1				
9	93102-35M51	.OIL SEAL	1				
10	93102-25M52	.OIL SEAL	1				
11	66M-13645-00	.GASKET, MANIFOLD 1	1				
12	66M-13646-00	.GASKET, MANIFOLD 2	2				
13	93210-35M86	.O-RING	1				
14	93102-18M21	.OIL SEAL	1				
15	90280-03M01	.KEY, WOODRUFF	1				
16	66M-13329-10	.GASKET, PUMP COVER	1				
17	93210-20M65	.O-RING	1				

B1

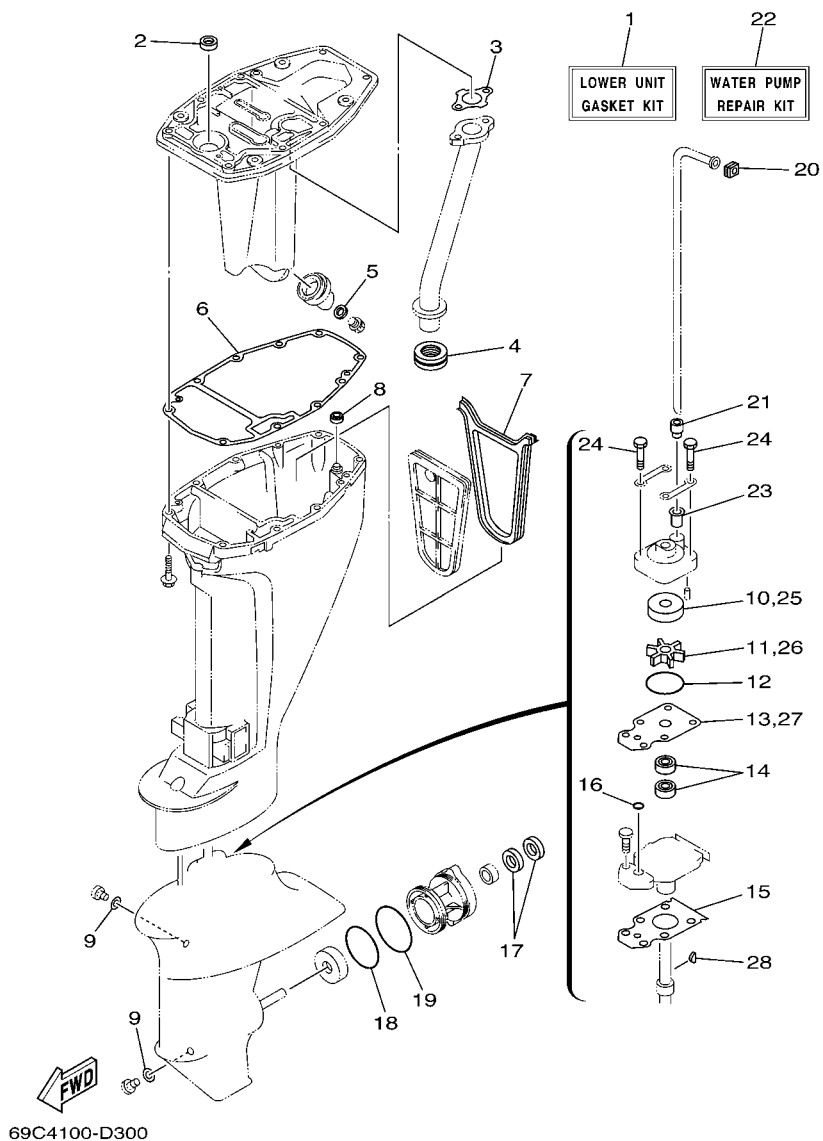


FWD
66M0100-8280

FIG. 29 REPAIR KIT 2

REF. NO.	PART NO.	DESCRIPTION	69C4				REMARKS
1	66M-W0093-01	CARBURETOR REPAIR KIT	1				
2	66M-14398-00	.GASKET	1				
3	6L2-14398-00	.GASKET	1				
4	66M-14377-00	.STOPPER	1				
5	66M-14384-00	.GASKET, FLOAT CHAMBER	1				
6	6L2-14385-00	.FLOAT	1				
7	6E5-14386-01	.PIN, FLOAT	1				
8	6L2-14392-00	.VALVE, NEEDLE	1				
9	62Y-14399-00	.GASKET	1				
10	5H0-14323-00	.SCREW, AIR ADJUSTING	1				
11	97980-04112	.SCREW, WITH WASHER	4				
12	62Y-14397-00	.O-RING	1				
13	6F5-14397-00	.O-RING	1				
14	66M-14827-00	.FILTER	1				

FIG. 30 REPAIR KIT 3



REF. NO.	PART NO.	DESCRIPTION	69C4				REMARKS
1	66R-W0001-21	LOWER UNIT GASKET KIT	1				
2	93101-12M63	.OIL SEAL	1				
3	66M-41133-01	.GASKET, EXHAUST MANIFOLD 1	1				
4	6D4-41138-00	.SEAL, EXT. 1	1				
5	90430-14M09	.GASKET	1				
6	66M-45113-00	.GASKET, UPPER CASING	1				
7	66M-45115-00	.GASKET, UPPER CASING	1				
8	66M-45128-00	.SEAL 2	1				
9	90430-08020	.GASKET	2				
10	63V-44322-00	.INSERT, CARTRIDGE	1				
11	63V-44352-01	.IMPELLER	1				
12	93210-44398	.O-RING	1				
13	63V-44323-00	.OUTER PLATE, CARTRIDGE	1				
14	93101-20001	.OIL SEAL	2				
15	63V-45315-A0	.PACKING, LOWER CASING	1				
16	93210-06ME6	.O-RING	1				
17	93101-17054	.OIL SEAL	2				
18	93210-74M68	.O-RING	1				
19	93210-74316	.O-RING	1				
20	63V-44365-10	.DAMPER, WATER SEAL	1				
21	63V-44368-00	.RUBBER, WATER SEAL 4	1				
22	63V-W0078-00	WATER PUMP REPAIR KIT	1				
23	647-44366-00	.DAMPER, WATER SEAL	1				
24	97080-08045	.BOLT	4				
25	63V-44322-00	.INSERT, CARTRIDGE	1				
26	63V-44352-01	.IMPELLER	1				
27	63V-44323-00	.OUTER PLATE, CARTRIDGE	1				

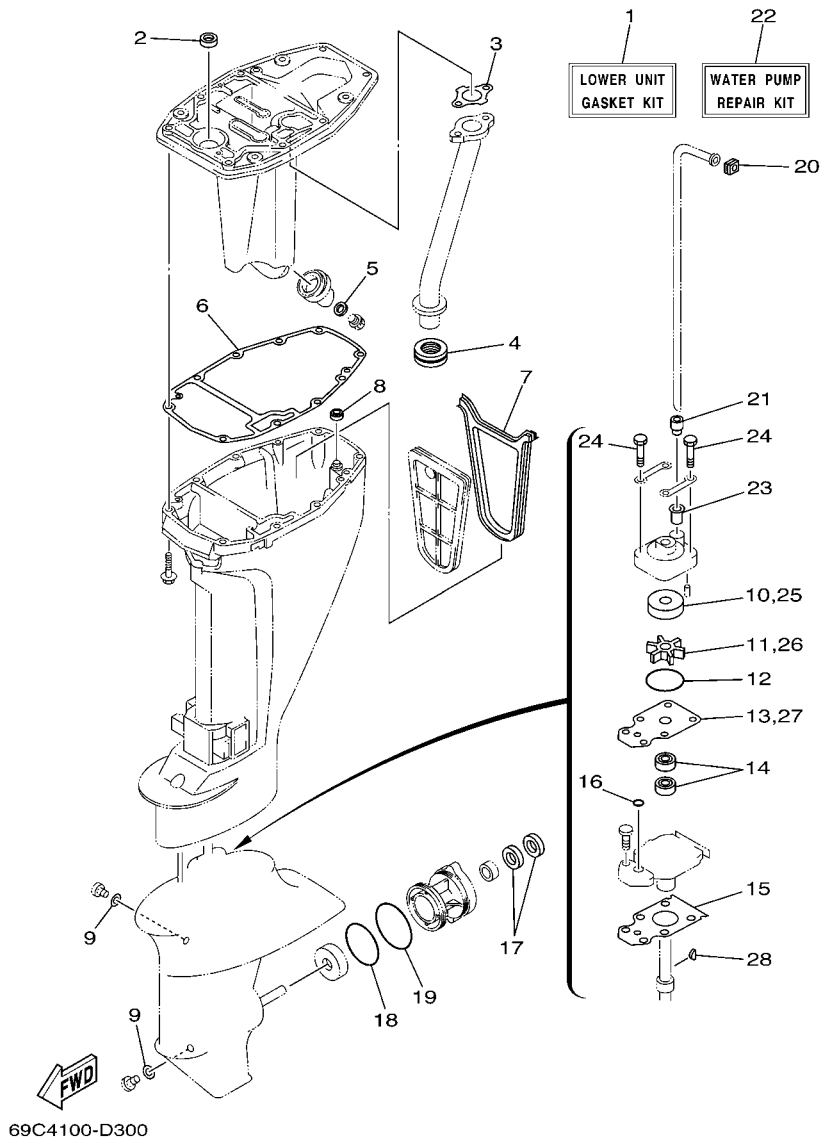


FIG. 30 REPAIR KIT 3

REF. NO.	PART NO.	DESCRIPTION	69C4				REMARKS
28	664-44338-00	.KEY, WOODRUFF	1				

NUMERICAL INDEX

PART NO.	REF. NO.	PART NO.	REF. NO.	PART NO.	REF. NO.	PART NO.	REF. NO.	PART NO.	REF. NO.	PART NO.	REF. NO.
66M-11111-01-1S	4 - 2	66M-12411-01	2 - 22	6E5-14386-01	29 - 7	61N-24563-00	9 - 6	66M-42743-00	15 - 28	69A-43855-00	19 - 39
66M-11133-10	4 - 3	6H3-12413-00-1S	2 - 23	6L2-14392-00	7 - 9	6D4-24566-00	6 - 28	6D4-42766-00	15 - 20	6H1-43856-10	19 - 40
66M-11168-00-1S	2 - 16	62Y-12414-00	2 - 24	62Y-14397-00	7 - 21	6YL-24610-01	24 - 2	6D4-42815-00-4D	15 - 13	69A-43857-00	19 - 17
66M-11181-10	4 - 5		28 - 4		29 - 12	65W-26326-10	15 - 24	6D4-42816-00	15 - 17	N35-43862-10	19 - 55
	28 - 6	66M-12481-00	15 - 38	6F5-14397-00	7 - 24	62Y-28100-00	9 - 33	69A-43111-00-4D	17 - 1	6H1-43866-00	19 - 20
66M-11191-00-1S	4 - 9	66M-12535-00	2 - 15		29 - 13	61H-2819R-31	9 - 32	69A-43112-00-4D	17 - 6	65W-43869-00	19 - 61
66M-11325-00	2 - 8	69W-12535-00	15 - 35	66M-14398-00	7 - 4	66M-41113-30-1S	2 - 25	69A-43113-00	17 - 20	69A-43869-00	19 - 23
6E5-11325-00	2 - 27	68T-12572-00	15 - 34		29 - 2	66M-41114-01	2 - 29	648-43114-01	17 - 5	65W-4386A-00	19 - 15
66M-11327-00-94	2 - 9	6R3-12580-00	15 - 40		29 - 2		28 - 5	6E7-43116-00	17 - 4	69A-4386A-00	19 - 42
66M-11328-00	2 - 10	66M-13131-10	9 - 18	6L2-14398-00	29 - 3	6D4-41131-00-94	21 - 7	6E0-43118-01	17 - 2	65W-4386K-00	19 - 62
66M-11351-10	2 - 21	66M-13300-10	8 - 15	62Y-14399-00	7 - 12	66M-41133-01	21 - 8	69A-43131-00	17 - 18	69A-43871-00	19 - 21
	28 - 3	66M-13329-10	8 - 16		29 - 9		30 - 3	6D4-43144-00	15 - 22	69A-43872-00	19 - 9
66M-11355-00	21 - 4		28 - 16	66M-14427-50	10 - 15	66M-41137-00-5B	21 - 1	6E5-43145-01	25 - 8	69A-43878-00	19 - 57
66M-11356-00	4 - 10	66M-13416-00	21 - 15	66M-14440-00	6 - 8	6D4-41138-00	21 - 10	6G5-43145-01	17 - 22	65W-43879-00	19 - 69
	28 - 7	66M-13417-00	21 - 14	66M-14477-00	6 - 12		30 - 4	69A-43155-00	17 - 44	69A-43880-00	19 - 58
66M-11357-00	2 - 18	66M-13421-00	21 - 13	65W-14497-01	16 - 32	66M-41211-00	16 - 31	65W-43191-00	17 - 12	69A-43881-00	19 - 64
	28 - 2	67F-13434-02	1 - 14	66M-14827-00	7 - 6	6R5-41237-00	6 - 23	65W-43192-00	17 - 11	65W-43882-00	19 - 63
676-11372-00	2 - 26	6G8-13437-54	8 - 19		29 - 14	66M-41252-00	6 - 18	69A-43311-10-4D	17 - 16	6H1-43883-00	19 - 30
66M-11411-00	3 - 3	5GH-13440-00	2 - 36	66M-15100-02-1S	2 - 2	66M-41256-00	6 - 24	689-43373-01	18 - 3	65W-43887-00	19 - 65
66M-11416-00	3 - 4	66M-13444-51	15 - 42	66M-15316-00	21 - 20	661-41262-02	16 - 29	69A-43801-00	19 - 18	65W-4388E-00	19 - 70
66M-11416-10	3 - 4	66M-13641-10-94	6 - 1	66M-15362-00	21 - 21	66M-41271-00	6 - 13	65W-43804-00	19 - 59	6H1-4388E-11	19 - 5
66M-11416-20	3 - 4	66M-13645-00	6 - 2	6G8-15363-00	4 - 13	689-41273-00	6 - 14	65W-43805-00	19 - 60	65W-43891-00	19 - 67
66M-11536-10	8 - 7		28 - 11	66M-15373-00	6 - 25	65W-41283-00	16 - 28	6T4-43808-00	19 - 34	65W-43892-00	19 - 66
66M-11537-00-94	8 - 3	66M-13646-00	6 - 6	66M-15711-10	10 - 1	66M-41292-00	6 - 15	69A-4380C-00	19 - 25	62Y-43894-00	19 - 28
66M-11557-00	8 - 8		28 - 12	66M-15758-10	10 - 4	66M-41298-00	6 - 16	69A-4380D-00	19 - 11	65W-44116-00	16 - 9
6G8-11575-00	21 - 17	66M-14157-00	7 - 26	66M-15762-00	10 - 11	65W-41638-00	16 - 27	65W-4380F-00	19 - 68	66R-44117-00	16 - 10
66N-11603-00	3 - 9	6L2-14157-00	7 - 11	69A-22471-00	19 - 3	6F5-41662-00	16 - 7	69A-4380K-00	19 - 2	65W-44121-00	16 - 4
66N-11604-00	3 - 9	646-14212-01	7 - 23	69A-23129-00	19 - 56	66M-42511-11-4D	18 - 6	69A-43810-00	19 - 10	66M-44122-00	16 - 5
66N-11605-00	3 - 9	66M-14271-00	6 - 7	6YL-24201-04	24 - 1	63V-42528-00	18 - 2	69A-43811-01	19 - 19	65W-44125-00	16 - 18
66M-11631-00-96	3 - 8	66R-14301-11	7 - 1	6YL-24260-01	24 - 3	63V-42537-00	18 - 7	69A-43812-00	19 - 22	65W-44142-00	16 - 16
634-11633-00	3 - 10	62Y-14321-00	7 - 19	6YL-24268-01	24 - 6	69C-42610-12-4D	1 - 1	69A-43814-00	19 - 7	66M-44143-10	16 - 12
66M-11635-00	3 - 8	5H0-14323-00	7 - 17	6G1-24304-02	9 - 1	66M-42613-00	1 - 2	6H1-43816-00	19 - 36	66R-44150-10	22 - 26
66M-11636-00	3 - 8		29 - 10	6YL-24306-53	24 - 7	6D4-42615-00	1 - 8	69A-43816-01	19 - 54	66R-44150-20	22 - 26
66M-11650-00	3 - 5	6E7-14325-00	9 - 22	6YL-24329-00	24 - 5	65W-42651-01	1 - 4	69G-43818-00	17 - 25	66M-44192-00	16 - 23
66M-11654-00	3 - 6	6G8-1432A-10	7 - 28	66M-24351-00	21 - 16	66M-42652-00	1 - 6	69A-4381G-00	19 - 48	63V-44301-00	22 - 10
66M-12111-00	5 - 1	30X-14334-00	7 - 18	66M-24374-00	9 - 24	69A-42675-00	1 - 11	69A-43824-00	19 - 43	63V-44322-00	22 - 11
66M-12113-00	5 - 4	66N-14341-00	7 - 13	6E5-24377-00	2 - 6	66N-42677-00	1 - 12	69A-4382G-00	19 - 32		30 - 10
66M-12116-00	5 - 3	66M-14342-23	7 - 15	688-24378-00	2 - 33	66R-42678-20	1 - 9	69A-43830-00	19 - 24	63V-44323-00	22 - 16
30X-12117-00	5 - 5	66N-14343-34	7 - 14	66M-24410-10	9 - 13	69A-42710-13-4D	15 - 1	69A-43840-00-4D	19 - 1		30 - 13
30X-12118-00	5 - 6	62Y-14355-00	7 - 16	66M-24411-10	9 - 16	66M-42716-00	15 - 8	69A-43841-00	19 - 26	63V-44328-00	22 - 19
51Y-12119-00	5 - 7	66M-14377-00	29 - 4	66M-24413-01	9 - 14	682-42724-00	15 - 26	6H1-43844-10	19 - 38	664-44338-00	22 - 14
66M-12121-00	5 - 2	66N-14381-00	7 - 2	6A0-24421-01	9 - 15	6G1-42725-00	10 - 5	69A-43848-00	19 - 44		30 - 28
66M-12138-50	4 - 15	62Y-14383-00	7 - 3	66M-24423-00	9 - 17	66M-42725-20	15 - 11	69A-4384F-00	19 - 29	63V-44352-01	22 - 13
66M-12146-00	5 - 8	66M-14384-00	7 - 5	66M-24444-00	9 - 20	65W-42726-10	15 - 27	6H1-4384G-11	19 - 37		30 - 11
66M-12151-10	5 - 14		29 - 5	66M-24454-00	9 - 19	6H1-42726-21	15 - 33	69A-4384H-00	19 - 51	66M-44361-10	23 - 1
62Y-12158-00	5 - 16	6L2-14385-00	7 - 7	66M-24471-00	9 - 21	62Y-42727-00	15 - 12	69A-4384M-00	19 - 27	66R-44361-20	23 - 1
62Y-12159-00	5 - 15		29 - 6	61N-24521-00	9 - 7	682-42727-00	15 - 25	6T4-43853-00	19 - 35	63V-44365-10	23 - 2
66M-12171-10	8 - 2	6E5-14386-01	7 - 8	61N-24560-00	9 - 5	66M-42738-00-4D	15 - 9	69A-43854-00	19 - 47		30 - 20

NUMERICAL INDEX

PART NO.	REF. NO.	PART NO.	REF. NO.	PART NO.	REF. NO.	PART NO.	REF. NO.	PART NO.	REF. NO.	PART NO.	REF. NO.
647-44366-00	22 - 12	66R-45587-00	22 - 6	703-48282-00	27 - 32	682-82556-00	27 - 48	90109-08M78	14 - 12	90201-31MA3	23 - 17
	30 - 23	66R-45587-10	22 - 6	703-48284-00	27 - 52	703-82563-02	27 - 55	90109-08M85	14 - 13	90201-45M28	18 - 8
66M-44366-00	18 - 20	683-45611-00	22 - 34	701-48287-00	27 - 42	63D-82563-10	13 - 29	90110-08M05	17 - 35	90202-05088	6 - 22
63V-44368-00	23 - 3	682-45631-00	22 - 36	703-48291-10	27 - 39	688-82575-01	27 - 47	90116-08M54	18 - 16	90202-05M38	1 - 13
	30 - 21	648-45633-00	22 - 38	703-48293-10	27 - 41	703-82577-00	27 - 45	90116-08M62	20 - 15	90206-05005	6 - 20
6H3-44391-01	15 - 23	650-45635-00	22 - 35	701-48310-80	26 - 2	6E5-82587-00	13 - 30	90119-06090	21 - 9	90206-12052	15 - 16
66M-44514-00-4D	18 - 12	6G8-45941-00	23 - 22	701-48310-90	26 - 2	688-8258A-20	27 - 49	90119-06M14	2 - 5	90240-05M20	6 - 19
66M-44526-00	18 - 19	6G8-45943-00	23 - 22	701-48320-00	26 - 2	69A-82590-00	13 - 28	90119-06M59	10 - 6	90243-04M01	17 - 3
66R-44532-00	15 - 32	6G8-45945-00	23 - 22	663-48344-00	16 - 2	703-82591-00	27 - 53	90119-06M76	6 - 10	90249-12M36	17 - 31
66R-44533-00	18 - 15	6G8-45947-00-EL	23 - 22	703-48345-01	27 - 19	703-82592-00	27 - 54	90119-06MA3	4 - 8	90250-05010	22 - 37
66M-44551-00-4D	18 - 21	6G8-45986-00	23 - 18	703-48358-00	27 - 20	703-82594-00	27 - 25	90119-06MA4	2 - 30	90254-03M05	16 - 6
682-44555-30	18 - 22	6G8-45987-02	23 - 15	63V-48511-01	18 - 27	703-83383-02	27 - 51	90119-08M39	14 - 11	90266-06M02	1 - 5
66M-44557-00	18 - 23	66M-46241-00	8 - 11	6H3-48538-00	16 - 1	6H1-83557-00	12 - 26	90119-08M45	18 - 24	90280-03M01	8 - 10
66M-45111-10-4D	20 - 1	66M-46297-00	8 - 12	63V-61350-00	25 - 1	69A-83614-00	13 - 31	90119-08M46	18 - 25		28 - 15
66M-45113-00	20 - 2	703-48152-00	27 - 57	6E5-61355-00	25 - 6	6A1-83625-41	10 - 13	90119-08M66	2 - 4	90280-05013	11 - 12
	30 - 6	703-48153-00	27 - 3	66M-81800-01	14 - 1	6A1-83625-51	10 - 14	90152-05M04	23 - 9	90338-08M19	17 - 38
66M-45115-00	20 - 6	703-48189-00	27 - 17	65W-81801-00	14 - 8	66M-84342-00	10 - 12	90157-05M16	24 - 4	90340-03M02	22 - 8
	30 - 7	703-48198-00	27 - 14	65W-81807-00	14 - 5	65W-85410-01	12 - 25	90157-06M06	20 - 9	90340-14M06	21 - 18
66M-45126-00	20 - 5	703-48205-17	26 - 1	66M-81820-00	14 - 7	66M-85520-00	11 - 2	90167-06002	15 - 36	90381-12M10	17 - 32
63V-45127-00	20 - 11		27 - 1	65W-81826-00	14 - 2	66M-85533-10	11 - 4	90170-06015	16 - 13	90381-12M11	17 - 33
66M-45128-00	20 - 8	703-48211-01	27 - 61	65W-8182B-00	13 - 4	66M-85540-01	12 - 1	90170-09M03	25 - 4	90386-12M37	15 - 14
	30 - 8	703-48212-00	27 - 58	65W-8182S-00	14 - 10	69A-85542-10	12 - 11	90170-28M37	8 - 9	90386-12MA2	15 - 15
66M-45136-00	20 - 7	703-48213-00	27 - 59	66M-81830-00	14 - 4	66M-85550-10	11 - 1	90171-10M07	23 - 20	90386-14MA1	17 - 14
66R-45211-20-4D	20 - 10	703-48215-00	27 - 43	65W-81840-00	14 - 9	66M-85570-00	12 - 4	90179-08M06	22 - 29	90386-16MA7	17 - 26
6G1-45214-00	23 - 7	703-48219-00	27 - 30	65W-81850-01	14 - 6	66M-85580-00	11 - 3	90179-08M34	18 - 26	90386-16MA8	17 - 27
63V-45215-00	23 - 8	703-48221-00	27 - 56	65W-81857-01	14 - 3	66M-86111-00	13 - 8	90179-16M05	11 - 13	90386-22MA4	17 - 19
65W-45251-00	17 - 39	703-48222-00	27 - 27	6H5-81920-00	13 - 23	66M-86112-00	13 - 10	90185-05002	23 - 10	90386-30048	18 - 9
61N-45251-01	23 - 11	703-48223-00	27 - 28	69A-81929-00	13 - 24	66M-86116-00	13 - 9	90185-08057	17 - 36	90386-30M60	18 - 11
69C-45300-12-4D	22 - 1	703-48225-00	27 - 29	6G1-81941-10	13 - 1	66M-86117-00	13 - 16		18 - 30	90387-05008	21 - 11
69C-45300-22-4D	22 - 1	703-48226-00	27 - 26	69A-81950-00	13 - 18	66M-W0001-02	28 - 1	90185-09M01	25 - 3	90387-06034	15 - 7
66R-45311-01-4D	22 - 2	703-48227-00	27 - 24	6G1-81952-00	13 - 2	66R-W0001-21	30 - 1	90185-22043	17 - 21	90387-06064	16 - 30
63V-45315-A0	22 - 23	703-48232-00	27 - 62	6G8-81960-A1	12 - 19	66M-W0070-20	1 - 10	90201-05M06	16 - 24	90387-06M03	13 - 20
	30 - 15	703-48234-00	27 - 18	66M-82105-00	13 - 5	63V-W0078-00	30 - 22	90201-06015	21 - 12	90387-06M05	12 - 12
626-45316-09	22 - 21	703-48235-00	27 - 4	66M-82117-00	13 - 3	66M-W0093-01	29 - 1	90201-06416	13 - 21	90387-06M29	16 - 19
63V-45331-00-5B	22 - 20	703-48236-00	27 - 16	6G5-82119-00	13 - 27	66M-W009A-02-1S	4 - 1	90201-06M05	10 - 9	90387-06M79	6 - 11
66R-45361-00-4D	22 - 40	703-48238-00	27 - 22	63V-82127-00	17 - 41	66M-W009B-12-1S	2 - 1		12 - 15	90387-10M42	25 - 5
63V-45375-00	23 - 14	703-48243-00	27 - 15	69A-82127-00	18 - 5	90101-06020	17 - 40	90201-06M31	16 - 20	90387-13001	5 - 10
69C-45510-10	22 - 27	703-48244-00	27 - 21	66M-82127-10	12 - 10	90101-08M88	17 - 46	90201-06M94	8 - 6	90387-13002	5 - 11
69C-45510-20	22 - 27	703-48245-00	27 - 11	6G8-82150-00	12 - 22	90105-06M07	18 - 4	90201-07M01	3 - 7	90387-13M56	5 - 9
66R-45536-00	22 - 4	703-48246-00	27 - 23	663-82151-00	12 - 23	90105-08M78	4 - 7	90201-08M00	17 - 29	90387-16M02	17 - 28
66R-45551-00	22 - 28	701-48248-00	27 - 13	6G5-82152-00	12 - 24	90109-06M04	17 - 15	90201-08M06	18 - 17	90401-20M00	2 - 37
66R-45560-01	22 - 30	703-48252-00	27 - 12	6G8-82370-30	12 - 8	90109-06M81	15 - 21	90201-08MA4	17 - 49	90430-08020	22 - 9
66R-45571-00	22 - 31	703-48261-01	27 - 2	62Y-82377-00	15 - 41		16 - 8	90201-10M02	23 - 19		30 - 9
626-45577-00	22 - 32	703-48264-00	27 - 6	63V-82377-50	17 - 45	90109-06M82	15 - 10	90201-10M20	25 - 2	90430-14M09	21 - 19
626-45577-10	22 - 32	703-48265-00	27 - 9	62Y-82504-10	12 - 9	90109-06M86	13 - 32	90201-10M63	25 - 7		30 - 5
626-45577-20	22 - 32	703-48268-00	27 - 5	703-82510-43	27 - 44		15 - 29	90201-13201	8 - 5	90445-09061	2 - 32
626-45577-30	22 - 32	703-48271-00	27 - 60	703-82531-00	27 - 46		16 - 11	90201-16M44	11 - 14	90445-09086	2 - 34
626-45577-40	22 - 32	703-48281-00	27 - 31	703-82540-00	27 - 50	90109-06MA2	13 - 22	90201-17682	22 - 33	90445-09104	2 - 35

NUMERICAL INDEX

PART NO.	REF. NO.	PART NO.	REF. NO.	PART NO.	REF. NO.	PART NO.	REF. NO.	PART NO.	REF. NO.	PART NO.	REF. NO.
90445-10M15	9 - 10	92995-06600	9 - 3	93306-00501	22 - 41	97095-06016	11 - 8				
90445-10M19	9 - 4		10 - 3	93315-314V8	22 - 3		12 - 20				
90445-10M46	2 - 7		11 - 7	93315-317U2	22 - 42		13 - 13				
90445-10M93	9 - 29		12 - 3	93332-00005	22 - 7	97095-06020	2 - 11				
90446-14M51	9 - 31		13 - 14	93341-41416	22 - 5		4 - 11				
90446-14MH7	17 - 23		15 - 3	93430-06024	27 - 10		9 - 2				
90464-09M13	12 - 18		16 - 22	93430-10M00	17 - 34		10 - 2				
	15 - 31		17 - 43	93450-09M01	4 - 4		12 - 2				
90465-06M88	13 - 33		18 - 14	93450-10M04	23 - 16		21 - 5				
90465-08M82	6 - 26		21 - 6	93450-15023	3 - 11	97095-06025	11 - 5				
90465-08M83	6 - 27		22 - 47	93501-08001	19 - 41		12 - 16				
90465-11M10	9 - 12	92995-08600	18 - 29	93505-32038	19 - 14		15 - 4				
	15 - 39		23 - 6	93602-15250	19 - 45		16 - 21				
90465-13M97	17 - 24	93101-12M63	21 - 2	93604-06136	19 - 16		22 - 46				
90465-25M95	15 - 30		30 - 2	93604-12M07	2 - 31	97095-06035	8 - 17				
90467-09M17	9 - 11	93101-17054	22 - 43				15 - 2				
90468-10005	16 - 25		30 - 17			97095-06040	6 - 3				
90468-18008	16 - 3	93101-20001	22 - 22				11 - 10				
90480-09M12	13 - 19		30 - 14	93606-12019	6 - 5	97095-06055	16 - 34				
90480-10M13	13 - 15	93102-18M21	8 - 1			97095-06090	10 - 7				
90480-10M16	8 - 13		28 - 14			97380-05025	27 - 8				
90480-12072	8 - 14	93102-25M52	3 - 2	93606-14081	19 - 52	97380-08030	27 - 33				
90480-13M24	12 - 13		28 - 10	93700-06M03	18 - 1	97575-08545	20 - 3				
90480-15M31	15 - 6	93102-35M51	3 - 1	94701-00375	4 - 16	97780-50510	6 - 17				
90480-25161	12 - 5		28 - 9	95380-05600	9 - 23	97780-60520	1 - 3				
90501-12M40	5 - 12	93210-03261	13 - 17			97880-05008	13 - 11				
90501-12M41	5 - 13	93210-06001	19 - 46	95380-06600	27 - 40	97880-06030	9 - 25				
90501-14M09	22 - 39	93210-06ME6	22 - 24	95380-06700	10 - 10	97885-08010	17 - 17				
90506-18010	15 - 19		30 - 16			97890-04005	7 - 25				
91317-05025	19 - 53	93210-07003	19 - 6	95380-08600	9 - 9	97980-04110	7 - 10				
91490-30025	23 - 21	93210-12N52	19 - 33			97980-04112	7 - 20				
91690-20016	6 - 21	93210-16275	25 - 9				29 - 11				
91690-30018	17 - 13	93210-20M65	9 - 28	95380-08700	13 - 6	98580-03005	7 - 27				
92990-05600	13 - 12		28 - 17	95895-06020	12 - 14	98580-03015	27 - 38				
92990-06100	9 - 26	93210-21276	19 - 8	95895-06030	23 - 12	98580-04006	27 - 36				
92990-06300	23 - 13	93210-24M79	4 - 14	97013-06016	8 - 4	98580-04010	27 - 35				
92990-06600	9 - 27		28 - 8	97075-06025	18 - 13	98580-05010	27 - 37				
92990-08600	13 - 7	93210-27666	19 - 4	97075-08035	18 - 28	98780-04015	2 - 28				
	17 - 37	93210-29M94	18 - 10			98980-04006	7 - 22				
	20 - 12	93210-32738	9 - 8	97080-08016	17 - 30	99001-03600	19 - 31				
	27 - 34	93210-35M86	6 - 9	97080-08025	22 - 25	99510-10114	2 - 3				
92995-05600	2 - 14		28 - 13	97080-08045	22 - 18		4 - 6				
92995-06100	10 - 8	93210-44398	22 - 15								
	11 - 6		30 - 12	97095-05012	2 - 13						
92995-06600	2 - 12	93210-74316	22 - 45	97095-06010	16 - 36						
	4 - 12		30 - 19								
	6 - 4	93210-74M68	22 - 44	97095-06012	13 - 25						
	8 - 18		30 - 18		15 - 18						

T9.9PRD
PARTS CATALOGUE
©2004 by Yamaha Motor Co., Ltd.
1st edition, March 2004
All rights reserved.
Any reprinting or unauthorized use
without the written permission of
Yamaha Motor Co., Ltd.
is expressly prohibited.
Printed in Japan.