

# PARTS CATALOGUE

**BR250TY** (8BDH) CANADA

**BR250TY** (8BDJ) RUS, JAPAN



1H8BD-100E1

( )

BR250TY  
PARTS CATALOGUE  
©2008 by Yamaha Motor Co., Ltd.  
1st edition, September 2008  
All rights reserved.  
Any reprinting or unauthorized use  
without the written permission of  
Yamaha Motor Co., Ltd.  
is expressly prohibited.  
Printed in Japan.

# FOREWORD

This Parts Catalogue is related to the parts for the model(s) on the cover page. When you are ordering replacement parts, please refer to this Parts Catalogue and quote both part numbers and part names correctly.

1. Modifications or additions which have been made after the issue of the Parts Catalogue will be announced in the Parts News.

It is advisable that you make the necessary corrections to the Parts Catalogue according to the Parts News.

2. Abbreviations

The following abbreviations are used in this Parts Catalogue.

“UR” Use specified parts number.

“UN” Use as many as needed.

“AP” Alternate Parts

“LM” Locally Made (Parts need to be ordered locally)

“F#” Frame No. (Applicable machine No.)

“O/S” Over Size

3. The number of components for assembly

- Parts, which are to be supplied in an assembly, are listed with a dot (.) in front of the part name as shown below.
- The numeral appearing to the right of each component part indicates the quantity of parts for each assembly unit.

PART NO.	DESCRIPTION	Q'TY	REMARKS
2F5-83310-60	FRONT FLASHER LIGHT ASSY	2	
115-83311-60	.BULB (6V-18W)	1	

4. Applicable colours of graphics are represented in the “REMARKS” as shown below.

PART NO.	DESCRIPTION	Q'TY	REMARKS
2N4-24110-00-X5	FUEL TANK COMP.	2	MXR
3J1-24240-10	.GRAPHIC, FUEL TANK	1	FOR MXR

5. Note that the illustrations for reference in finding parts numbers are not to be used for assembling. When assembling, please use the applicable service manual.

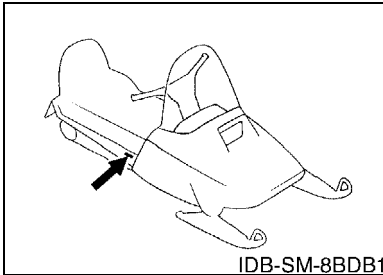
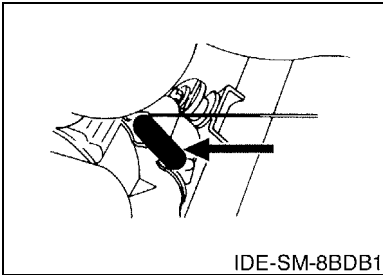
6. The asterisk (\*) before a reference number indicates modified items after the first edition.

# FOREWORD

7. Applicable Serial No.

Engine Serial No.

Frame Serial No.



10. Applicable Starting Serial No.

Frame Serial No.

Serial No.	Name Of Q'ty Column	Model Code
JYE8BD0099A044343	CAN	8BDH
JYE8BD0099A044343	RUS	8BDJ
JYE8BD0099A044343	JPN	8BDJ

8. Applicable Colour Code (The (\*) mark shows Model colour.)

Abbreviation	Colour Name	Colour Code
DCM2(*)	DARK CYAN METALLIC 2	0337

9. Quantity Column Information

Column No.	Name Of Q'ty Column	Destination
1	CAN	CANADA
2	RUS	RUS
3	JPN	JAPAN

# CONTENTS

## ENGINE

CYLINDER .....	1
CRANKSHAFT & PISTON .....	2
AIR SHROUD & FAN .....	3
OIL PUMP .....	4
PUMP DRIVE GEAR .....	5
INTAKE .....	6
CARBURETOR .....	8
EXHAUST .....	10
CRANKCASE .....	11
STARTER .....	12

## DRIVE

PRIMARY SHEAVE .....	13
SECONDARY SHEAVE .....	14

## BODY

ENGINE BRACKET .....	15
OIL TANK .....	16
FRAME .....	17
SKI .....	19
STEERING .....	21
STEERING GATE .....	22
FUEL TANK .....	23
FUEL TANK 2 .....	24
FUEL TANK 3 .....	25
FUEL TANK 4 .....	26
SEAT .....	28
BRAKE .....	29
CONTROL CABLE .....	30
TRACK SUSPENSION 1 .....	31
TRACK SUSPENSION 2 .....	33
TRACK DRIVE 1 .....	36
TRACK DRIVE 2 .....	37
EMBLEM .....	39
SHROUD & WINDSHIELD .....	40
GUARD & LUGGAGE BOX .....	42
BUMPER .....	43
INSTRUMENT PANEL .....	45

## ELECTRICAL

GENERATOR .....	46
-----------------	----

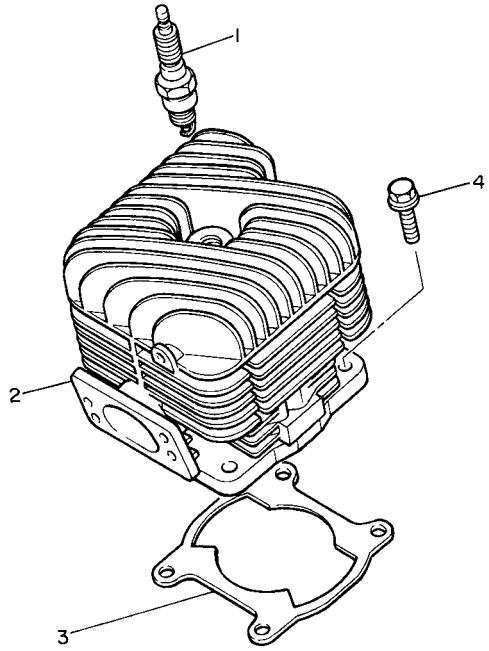
METER .....	47
HEADLIGHT .....	48
TAILLIGHT .....	49
HANDLE SWITCH & LEVER .....	50
ELECTRICAL 1 .....	51
ELECTRICAL 2 .....	52
ALTERNATE REAR VIEW MIRROR .....	53
ALTERNATE THUMB WARMER KIT .....	54
ALTERNATE REBUILD KIT .....	55
ALTERNATE CLUTCH TUNE UP KIT .....	56

## INDEX

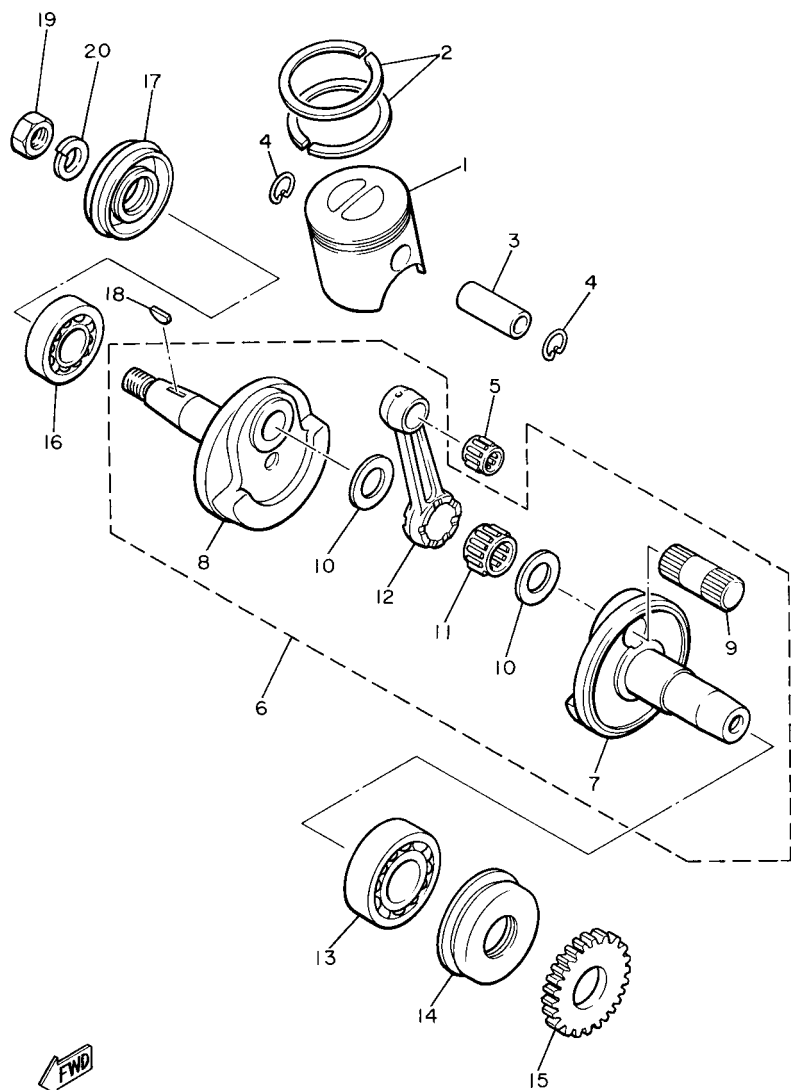
NUMERICAL INDEX .....	57
-----------------------	----

**FIG. 1 CYLINDER**

REF. NO.	PART NO.	DESCRIPTION	CAN	RUS	JPN	REMARKS
1	94702-00195	PLUG, SPARK (NGK BR8HS)	1	1		
	94709-00195	PLUG, SPARK (NGK BR8HS)			1	
2	8R4-11311-02	CYLINDER 1	1	1	1	
3	8R4-11351-04	GASKET, CYLINDER	1	1	1	
4	95827-08035	BOLT, FLANGE	4	4	4	
-----						
-----						
-----						
-----						
-----						
-----						
-----						
-----						
-----						
-----						
-----						



8R4100-2010

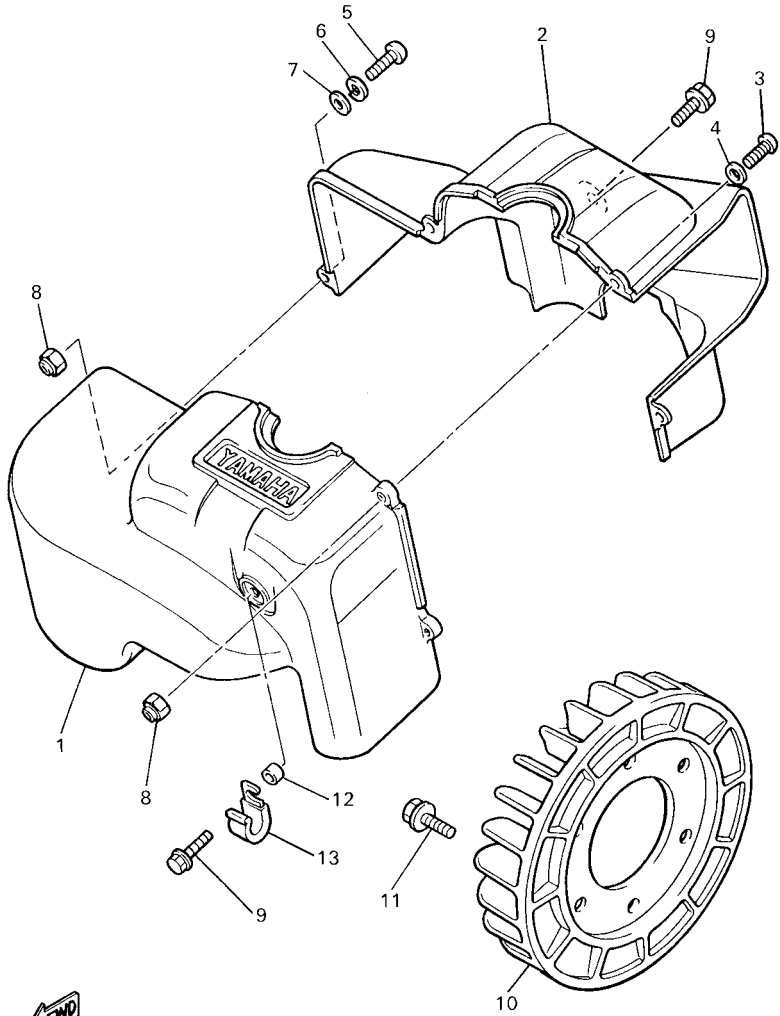


8R4100-2021

FIG. 2 CRANKSHAFT & PISTON

REF. NO.	PART NO.	DESCRIPTION	CAN	RUS	JPN	REMARKS
1	8R4-11631-00-96	PISTON (STD)	1	1	1	
	8R4-11635-00	PISTON (0.25MM O/S)	1	1	1	AP
	8R4-11636-00	PISTON (0.50MM O/S)	1	1	1	AP
2	8R4-11610-00	PISTON RING SET (STD)	1	1	1	
	8R4-11610-10	PISTON RING SET (0.25MM O/S)	1	1	1	AP
	8R4-11610-20	PISTON RING SET (0.50MM O/S)	1	1	1	AP
3	818-11633-00	PIN, PISTON	1	1	1	
4	93450-20026	CIRCLIP	2	2	2	
5	93310-218A6	BEARING	1	1	1	
6	8R4-11400-00	CRANKSHAFT ASSY	1	1	1	
7	8R4-11412-00	.CRANK 1	1	1	1	
8	8R4-11422-00	.CRANK 2	1	1	1	
9	8F3-11681-00	.PIN, CRANK 1	1	1	1	
10	90209-24183	.WASHER	2	2	2	
11	93310-424E8	.BEARING	1	1	1	
12	8R4-11651-00	.ROD, CONNECTING	1	1	1	
13	93306-30623	BEARING	1	1	1	
14	93102-30326	OIL SEAL	1	1	1	
15	8R4-13178-00	GEAR, PUMP DRIVE	1	1	1	
16	93306-30555	BEARING	1	1	1	
17	93102-25183	OIL SEAL	1	1	1	
18	90280-05013	KEY, WOODRUFF	1	1	1	
19	90170-16425	NUT	1	1	1	
20	92907-16100	WASHER	1	1	1	

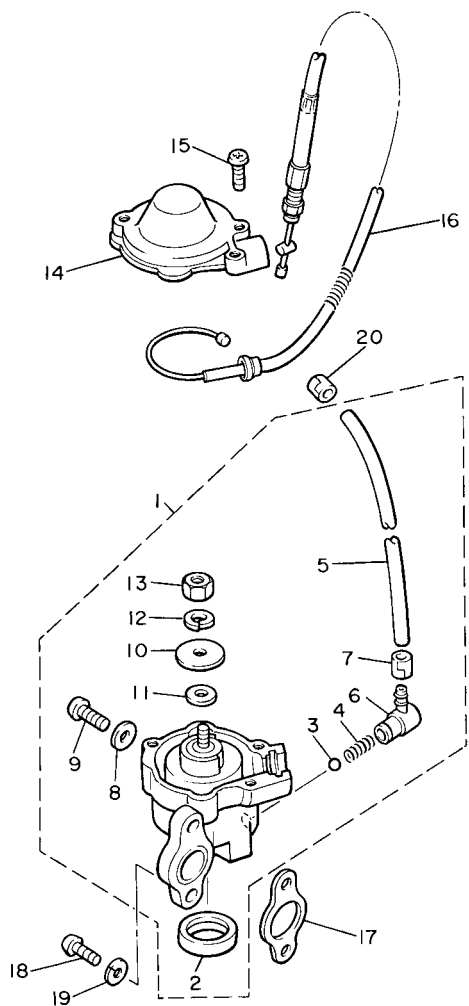
**FIG. 3 AIR SHROUD & FAN**



8BD100-6030

REF. NO.	PART NO.	DESCRIPTION	CAN	RUS	JPN	REMARKS
1	8R4-12651-03	AIR SHROUD, CYLINDER 1	1	1	1	
2	8R4-12652-02	AIR SHROUD, CYLINDER 2	1	1	1	
3	98507-05020	SCREW, PAN HEAD	3	3	3	
4	92907-05600	WASHER, PLATE	3	3	3	
5	98507-05030	SCREW, PAN HEAD	1	1	1	
6	92907-05100	WASHER, SPRING	1	1	1	
7	92907-05600	WASHER, PLATE	1	1	1	
8	95707-05300	NUT, FLANGE	4	4	4	
9	90119-06108	BOLT, WITH WASHER	2	2	2	
10	8G8-12611-01	FAN	1	1	1	
11	90105-06556	BOLT, FLANGE	6	6	6	
12	90387-066K1	COLLAR	1	1	1	
13	90465-10313	CLAMP	1	1	1	
<hr/>						
<hr/>						
<hr/>						
<hr/>						
<hr/>						

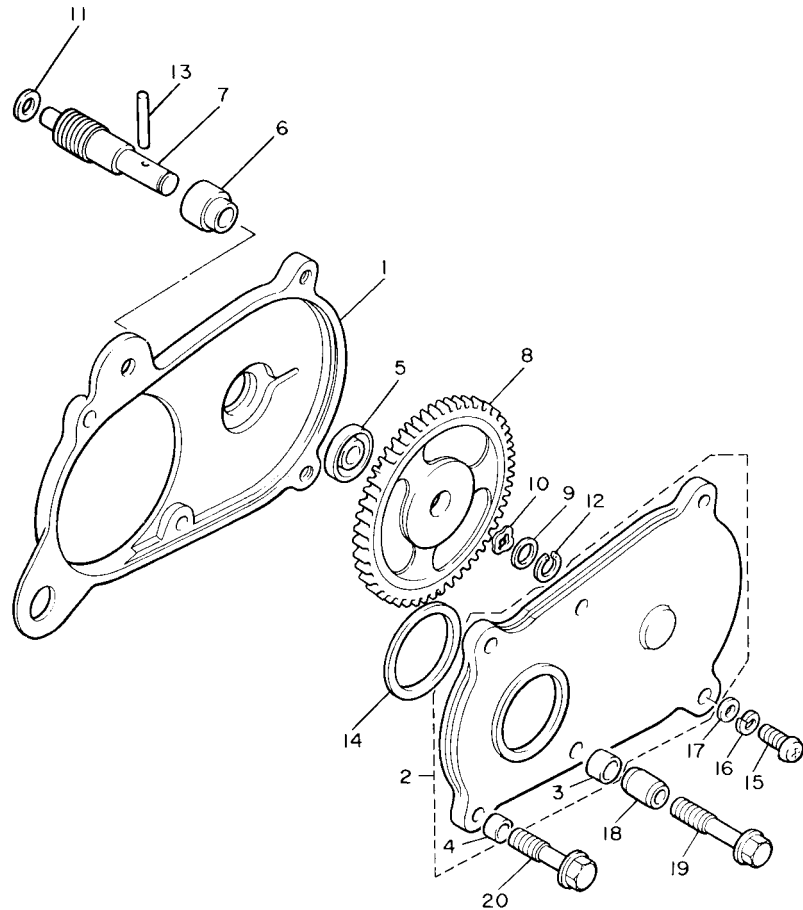




80F100-5040

FIG. 4 OIL PUMP

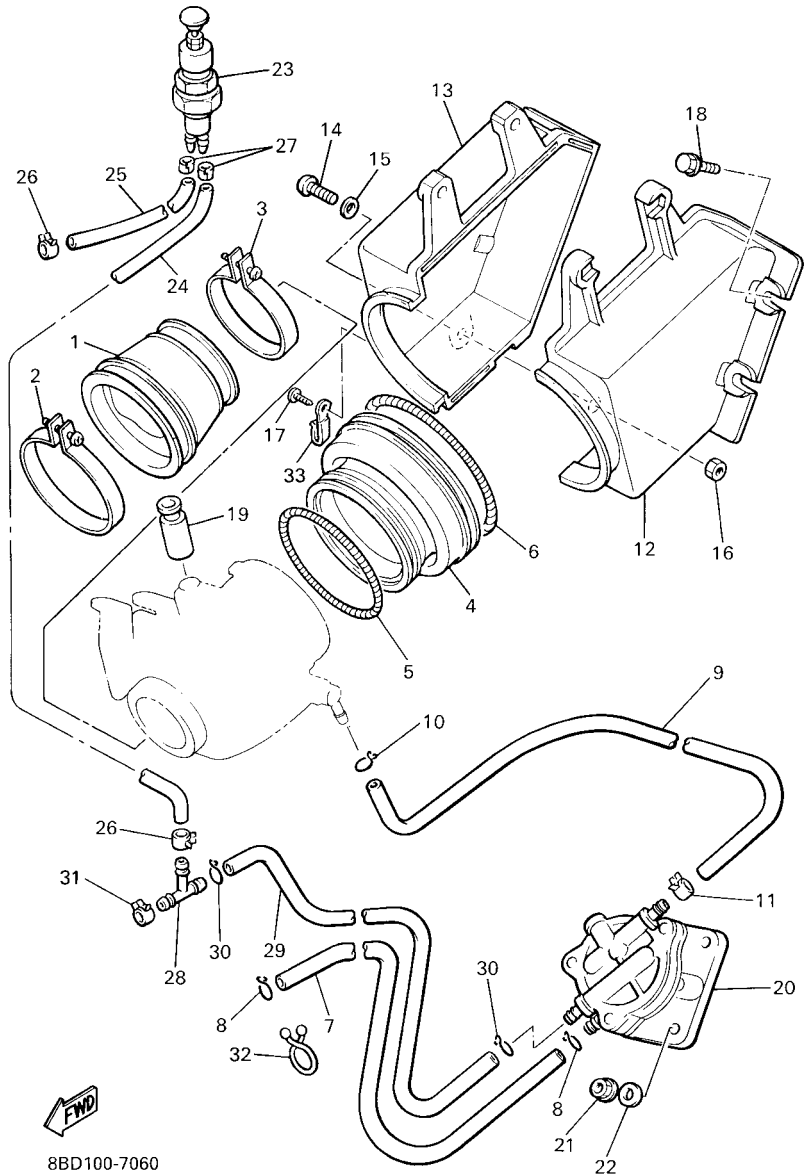
REF. NO.	PART NO.	DESCRIPTION	CAN	RUS	JPN	REMARKS
1	81E-13101-01	OIL PUMP ASSY	1	1	1	
2	90338-21075	.PLUG	1	1	1	
3	93505-32002	.BALL	1	1	1	
4	90501-02217	.SPRING, COMPRESSION	1	1	1	
5	90446-08201	.HOSE	1	1	1	
6	353-13552-01	.NOZZLE	1	1	1	
7	90468-02025	.CLIP	1	1	1	
8	90430-04004	.GASKET	1	1	1	
9	98907-04008	.SCREW, BIND	1	1	1	
10	137-13138-01	.PLATE, ADJUSTING	1	1	1	
11	137-13137-00-03	.SHIM (T=0.3)	1	1	1	UR UN
	137-13137-00-05	.SHIM (T=0.5)	1	1	1	UR UN
	137-13137-00-10	.SHIM(T=0.1MM)	1	1	1	UR UN
12	92907-05100	.WASHER, SPRING	1	1	1	
13	95307-05600	.NUT	1	1	1	
14	8A5-13146-01	COVER,ADJUST PULLEY	1	1	1	
15	98507-04018	SCREW, PAN HEAD	3	3	3	
16	81E-26320-00	PUMP CABLE ASSY	1	1	1	
17	8Y0-13116-01	GASKET, PUMP CASE	1	1	1	
18	98507-05016	SCREW, PAN HEAD	2	2	2	
19	92907-05100	WASHER, SPRING	2	2	2	
20	90468-02025	CLIP	1	1	1	



87P171-0050

FIG. 5 PUMP DRIVE GEAR

REF. NO.	PART NO.	DESCRIPTION	CAN	RUS	JPN	REMARKS
1	8R4-15416-00	COVER, OIL PUMP	1	1	1	
2	8R4-15426-00	COVER, OIL PUMP 2	1	1	1	
3	90387-082N1	.COLLAR	2	2	2	
4	90387-062N2	.COLLAR	2	2	2	
5	93101-10001	OIL SEAL	1	1	1	
6	821-13176-00	METAL, WORM SHAFT OUTER	1	1	1	
7	8R4-13175-00	SHAFT, WORM	1	1	1	
8	8R4-13188-00	GEAR, DRIVE (59T)	1	1	1	
9	137-13148-00	PLATE, CAM THRUST	1	1	1	
10	90206-11016	WASHER, WAVE	1	1	1	
11	90201-08624	WASHER, PLATE	1	1	1	
12	99009-10400	CIRCLIP	1	1	1	
13	93603-22028	PIN, DOWEL	1	1	1	
14	93104-29072	OIL SEAL	1	1	1	
15	98507-06020	SCREW, PAN HEAD	2	2	2	
16	92907-06100	WASHER, SPRING	2	2	2	
17	92907-06600	WASHER, PLATE	2	2	2	
18	91808-22019	PIN, DOWEL	2	2	2	
19	95827-06030	BOLT, FLANGE	2	2	2	
20	95827-06025	BOLT, FLANGE	2	2	2	



8BD100-7060

FIG. 6 INTAKE

REF. NO.	PART NO.	DESCRIPTION	CAN	RUS	JPN	REMARKS
1	8R4-13555-00	MANIFOLD, INTAKE	1	1	1	
2	90460-64066	CLAMP, HOSE	1	1	1	
3	90460-51059	CLAMP, HOSE	1	1	1	
4	8R4-14453-00	JOINT, AIR CLEANER 1	1	1	1	
5	90506-06261	SPRING, TENSION	1	1	1	
6	90506-06262	SPRING, TENSION	1	1	1	
7	90445-11046	HOSE	1			
	90445-115K4	HOSE (L450)		1	1	
8	90467-11032	CLIP	2	2	2	
9	8BD-14298-00	PIPE	1			
	90445-116G8	HOSE (L135)		1	1	
10	90467-11009	CLIP	1	1	1	
11	90467-11032	CLIP	1	1	1	
12	8R4-14431-00	SILENCER, INTAKE 1	1	1	1	
13	8R4-14441-01	SILENCER, INTAKE 2	1	1	1	
14	98507-05025	SCREW, PAN HEAD	1	1	1	
15	92907-05600	WASHER, PLATE	1	1	1	
16	95707-05300	NUT, FLANGE	1	1	1	
17	97707-60510	SCREW, TAPPING	1	1	1	
18	90119-05071	BOLT, WITH WASHER	4	4	4	
19	8J5-26352-00	BOOT	1	1	1	
20	8A5-24410-02	FUEL PUMP ASSY	1	1	1	
21	95707-06500	NUT, FLANGE	2	2	2	
22	90201-06727	WASHER, PLATE	2	2	2	
23	8X8-24360-01	PRIMER PUMP ASSY	1	1		
24	90445-08031	HOSE	1			
	90445-083K9	HOSE (L280)		1		

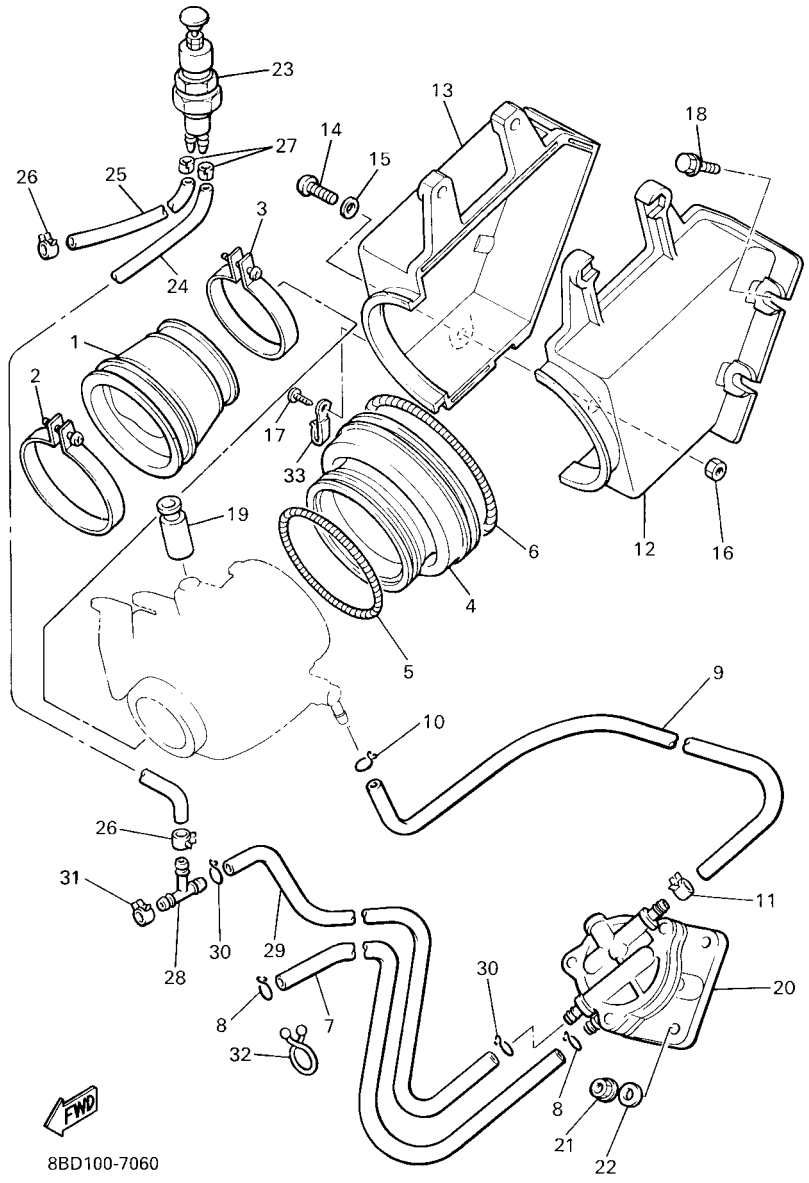
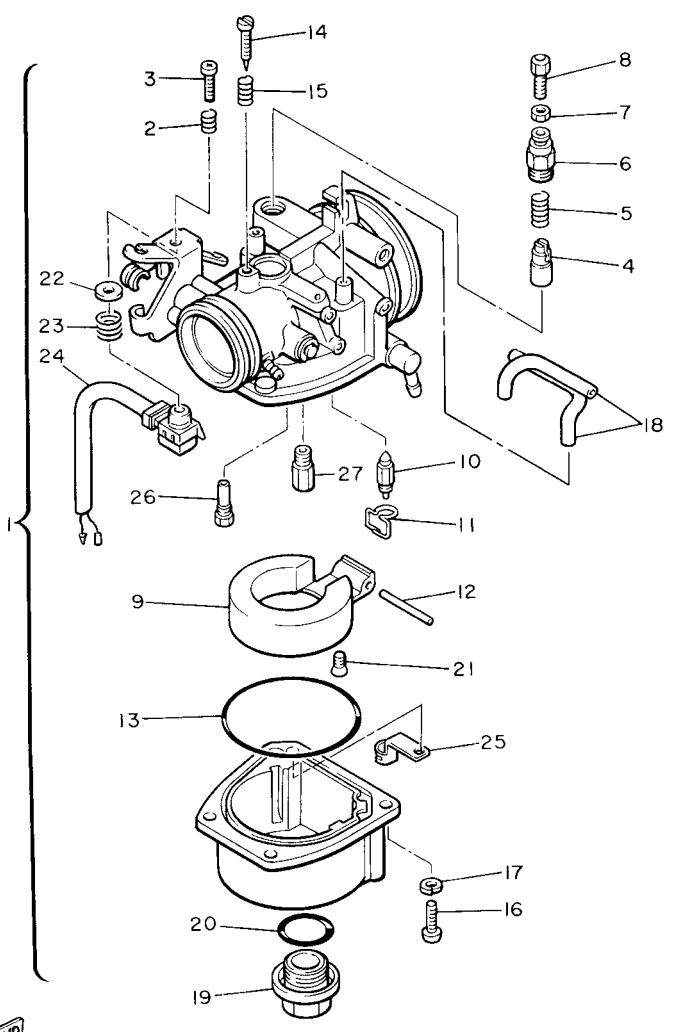


FIG. 6 INTAKE

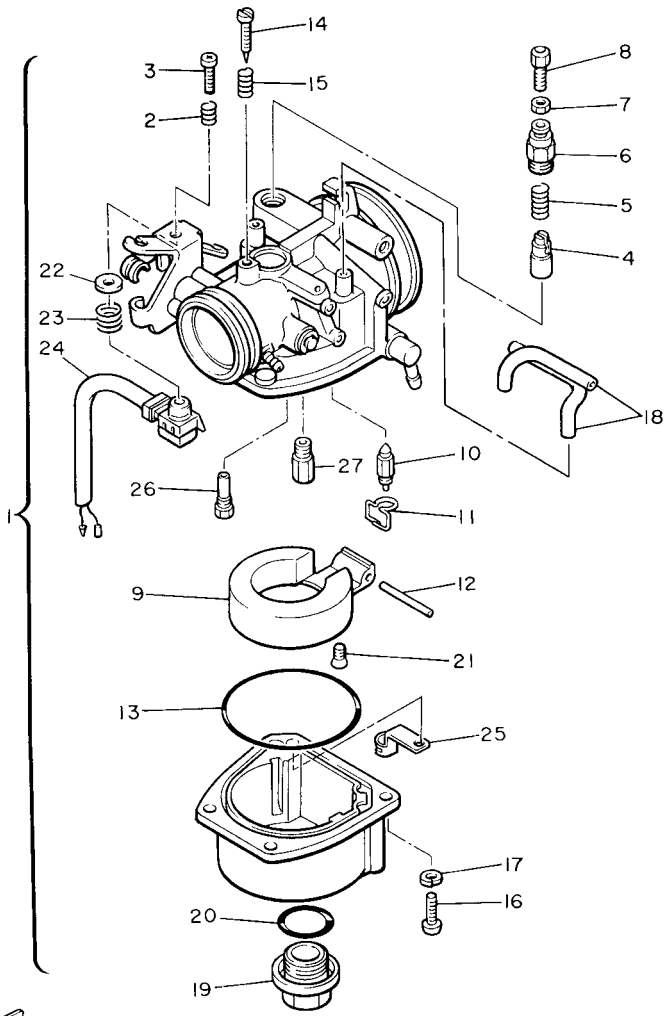
REF. NO.	PART NO.	DESCRIPTION	CAN	RUS	JPN	REMARKS
25	90445-08032	HOSE	1			
	90445-084K0	HOSE (L360)		1		
26	90467-07055	CLIP	2	2		
27	90468-02025	CLIP	2	2		
28	815-24379-00	PIPE, JOINT 4	1	1		
29	8BD-14294-00	HOSE	1			
	90445-114J7	HOSE		1		
30	90467-11009	CLIP	2	2		
31	90467-11032	CLIP	1	1	1	
32	90464-16039	CLAMP	2	1		
33	90465-08333	CLAMP	1	1	1	



87T100-0070

FIG. 7 CARBURETOR

REF. NO.	PART NO.	DESCRIPTION	CAN	RUS	JPN	REMARKS
1	80J-14101-03	CARBURETOR ASSY 1	1	1		
	80F-14101-03	CARBURETOR ASSY 1			1	
2	80F-14131-00	.SPRING, THROTTLE VALVE	1	1	1	
3	80F-14121-00	.SCREW, THROTTLE STOP	1	1	1	
4	371-14993-60	.PLUNGER, STARTER	1	1	1	
5	90501-08443	.SPRING, COMPRESSION	1	1	1	
6	8A6-14969-00	.CAP	1	1	1	
7	8E7-14161-00	.NUT, CABLE ADJUSTING	1	1	1	
8	8A6-14977-00	.SHAFT, STARTER LEVER	1	1	1	
9	8G6-14985-01	.FLOAT	1	1	1	
10	8E7-14546-00	.VALVE, NEEDLE	1	1		
	8E7-14546-01	.VALVE, NEEDLE			1	
11	663-14159-00	.CLIP	1	1	1	
12	676-14548-00	.PIN, FLOAT ARM	1	1	1	
13	8G6-14984-00	.GASKET, FLOAT CHAMBER	1	1	1	
14	8G6-14521-00	.SCREW, ADJUST	1	1	1	
15	90501-08214	.SPRING, COMPRESSION	1	1	1	
16	98502-04040	.SCREW, PAN HEAD	4	4	4	
17	92902-04100	.WASHER, SPRING	4	4	4	
18	8R4-14994-00	.PIPE	2	2	2	
19	8M7-14992-00	.ROD	1	1	1	
20	93210-19309	.O-RING	1	1	1	
21	98602-04008	.SCREW, OVAL HEAD	1	1	1	
22	80F-14146-00	.PLATE	1	1	1	
23	80F-14133-00	.SPRING, THROTTLE STOP	1	1	1	
24	87S-8259A-01	.SWITCH, CARBURETOR	1	1	1	
25	80F-14137-01	.CLIP	1	1	1	

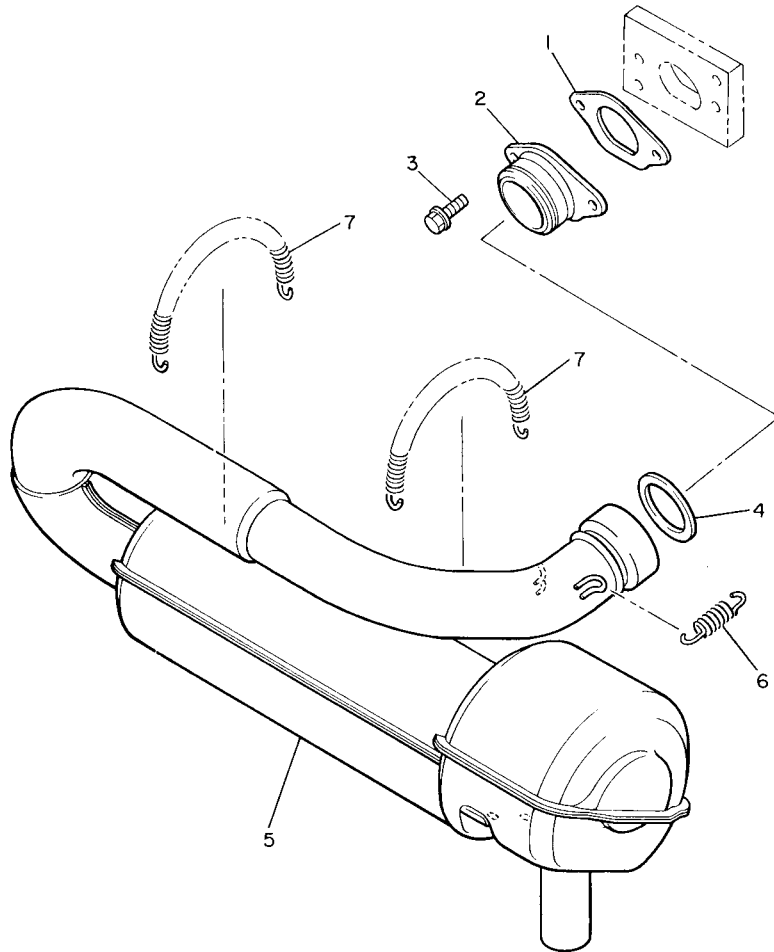


87T100-0070

**FIG. 7 CARBURETOR**

REF. NO.	PART NO.	DESCRIPTION	CAN	RUS	JPN	REMARKS
26	8G6-14948-18	.JET (#78)	1	1	1	
27	8A6-14516-05	.JET, MAIN (#105)	1	1	1	STD
	8A6-14515-98	.JET, MAIN (#98)	1	1	1	AP
	8A6-14516-00	.JET, MAIN (#100)	1	1	1	AP
	8A6-14516-02	.JET, MAIN (#102)	1	1	1	AP
-----						
-----						
-----						
-----						
-----						
-----						
-----						
-----						
-----						
-----						
-----						

**FIG. 8 EXHAUST**

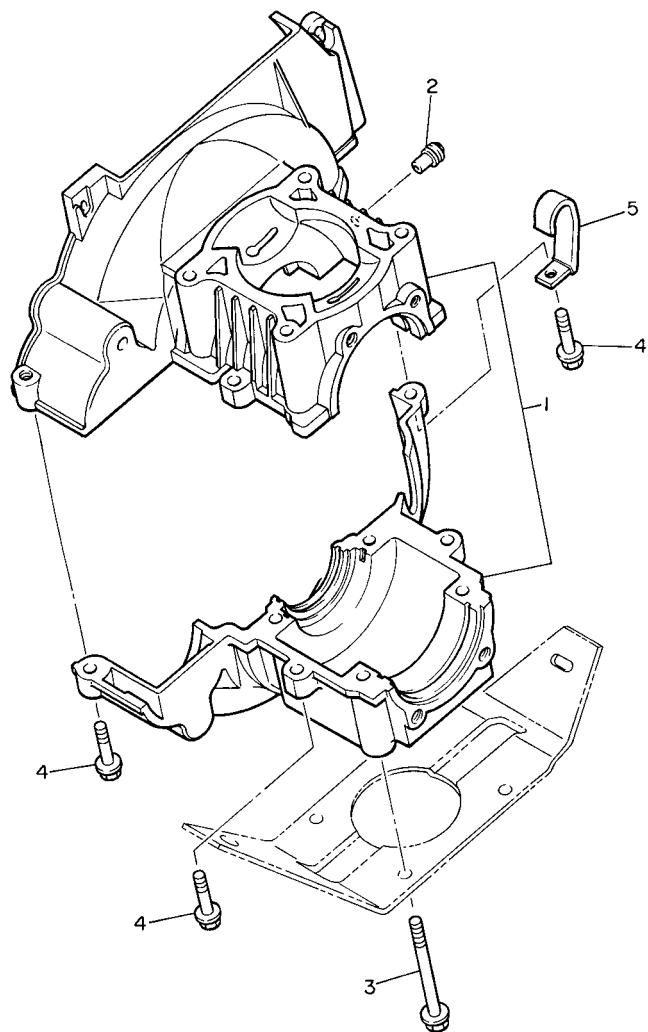


REF. NO.	PART NO.	DESCRIPTION	CAN	RUS	JPN	REMARKS
1	8R4-14613-01	GASKET, EXHAUST PIPE	1	1	1	
2	8R4-14612-01	NUT, RING	1	1	1	
3	95827-08020	BOLT, FLANGE	2	2	2	
4	888-14633-00	RING	1	1	1	
5	80F-14610-10	EXHAUST PIPE ASSY 1	1	1	1	
6	90506-20074	SPRING, TENSION	2	2	2	
7	90506-16494	SPRING, TENSION	2	2	2	



8BDF100-G080

FIG. 9 CRANKCASE

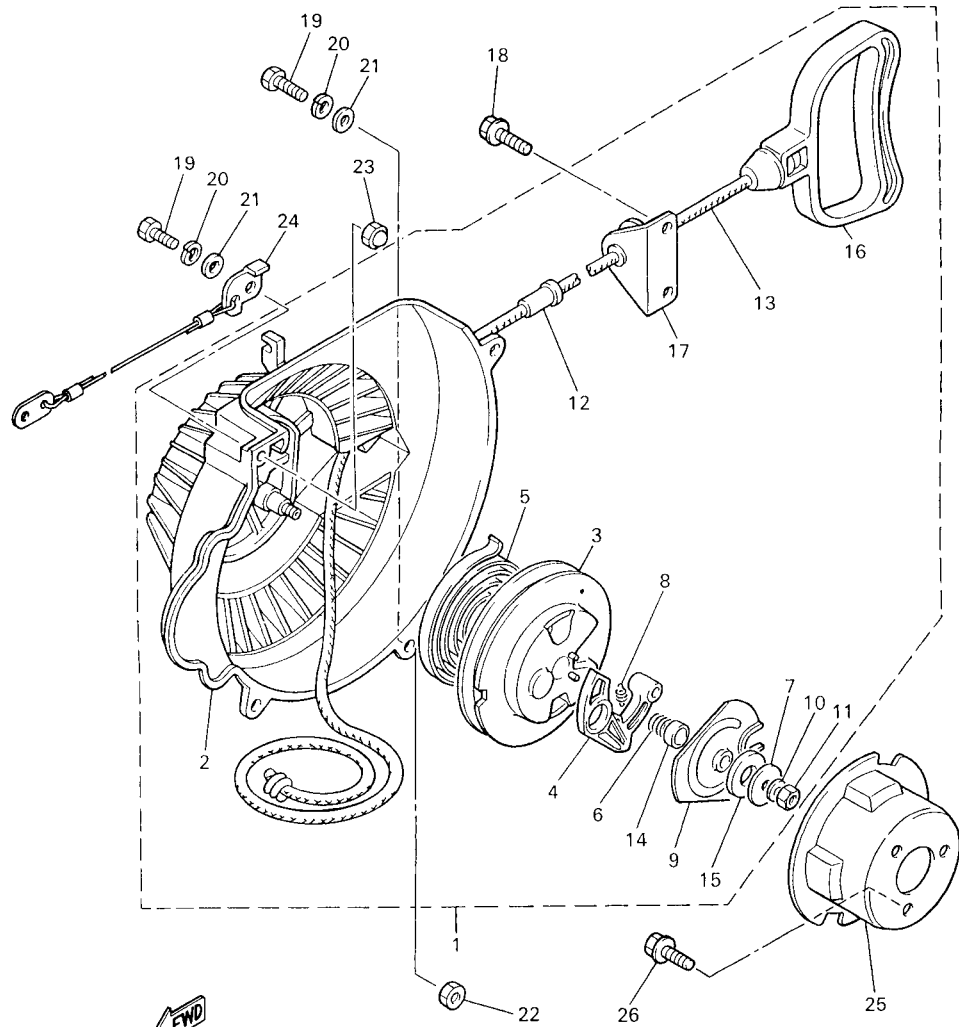


FWD  
8R4100-2030

REF. NO.	PART NO.	DESCRIPTION	CAN	RUS	JPN	REMARKS
1	8R4-15100-01	CRANKCASE ASSY	1	1	1	
2	J38-11116-00	JOINT, BREATHER	1	1	1	
3	95827-08080	BOLT, FLANGE	4	4	4	
4	95827-08030	BOLT, FLANGE	4	4	4	
5	90461-06080	CLAMP	1	1	1	
-----						
-----						
-----						
-----						
-----						
-----						
-----						
-----						
-----						

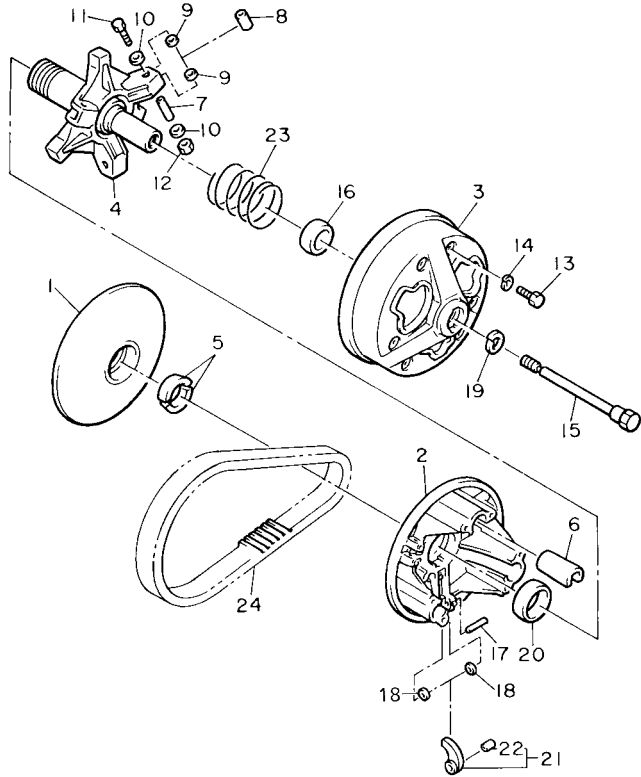


FIG. 10 STARTER



8BD7100-0100

REF. NO.	PART NO.	DESCRIPTION	CAN	RUS	JPN	REMARKS
1	8R4-15710-01	STARTER ASSY	1	1	1	
2	8R4-15711-00	.CASE, STARTER	1	1	1	
3	8F3-15714-01	.DRUM, SHEAVE	1	1	1	
4	8F3-15741-01	.PAWL, DRIVE	1	1	1	
5	8F3-15713-01	.SPRING, STARTER	1	1	1	
6	8F3-15715-00	.SPRING, FRICTION	1	1	1	
7	8F3-15739-01	.WASHER, THRUST	1	1	1	
8	8F3-15734-00	.SPRING, RETURN	1	1	1	
9	8F3-15716-03	.PLATE, DRIVE	1	1	1	
10	92901-06100	.WASHER, SPRING	1	1	1	
11	95301-06700	.NUT	1	1	1	
12	8F3-15758-00	.GUIDE, ROPE	1	1	1	
13	8F3-15751-00	.WIRE, STARTER	1	1	1	
14	8G5-15716-00	.COLLAR	1	1	1	
15	8G5-15739-00	.WASHER, THRUST	1	1	1	
16	8R4-15755-00	.HANDLE, STARTER	1	1	1	
17	8R4-15788-01	.HOLDER, HANDLE	1	1	1	
18	95807-08016	BOLT, FLANGE	3	3	3	
19	97007-06025	BOLT	4	4	4	
20	92907-06100	WASHER, SPRING	4	4	4	
21	92907-06600	WASHER, PLATE	4	4	4	
22	95307-06600	NUT	3	3	3	
23	90176-06038	NUT, CROWN	1	1	1	
24	8R4-77118-00	STOPPER, SHROUD	1	1	1	
25	81L-15723-00	PULLEY, STARTER	1	1	1	
26	95807-08012	BOLT, FLANGE	3	3	3	

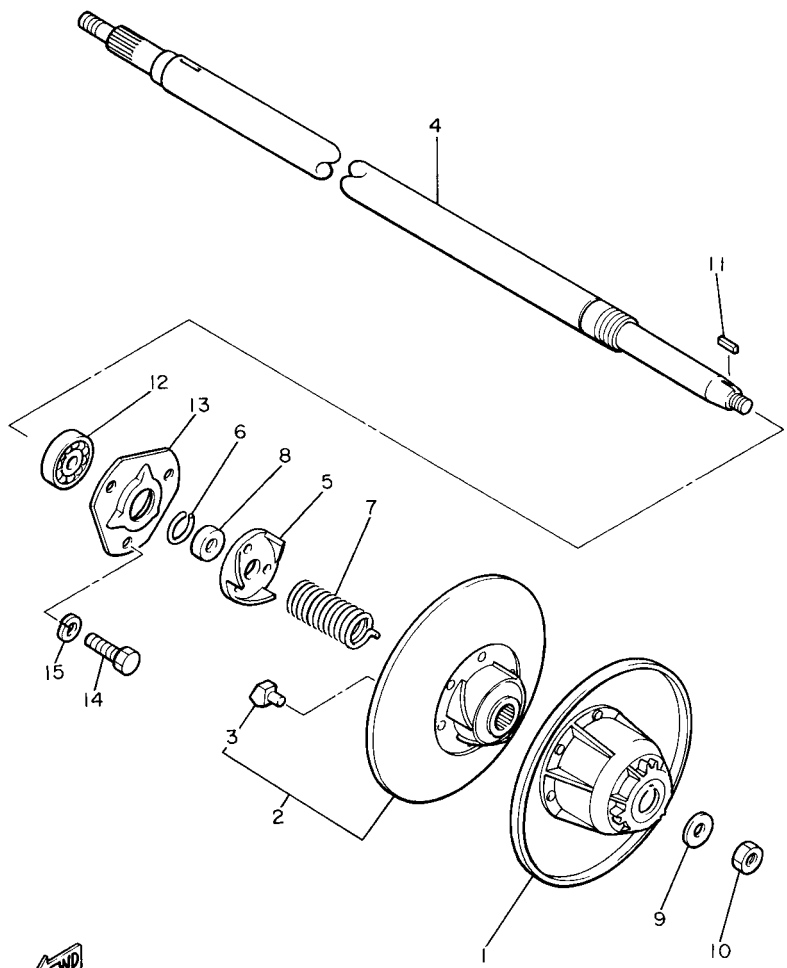



8AF010-3110

FIG. 11 PRIMARY SHEAVE

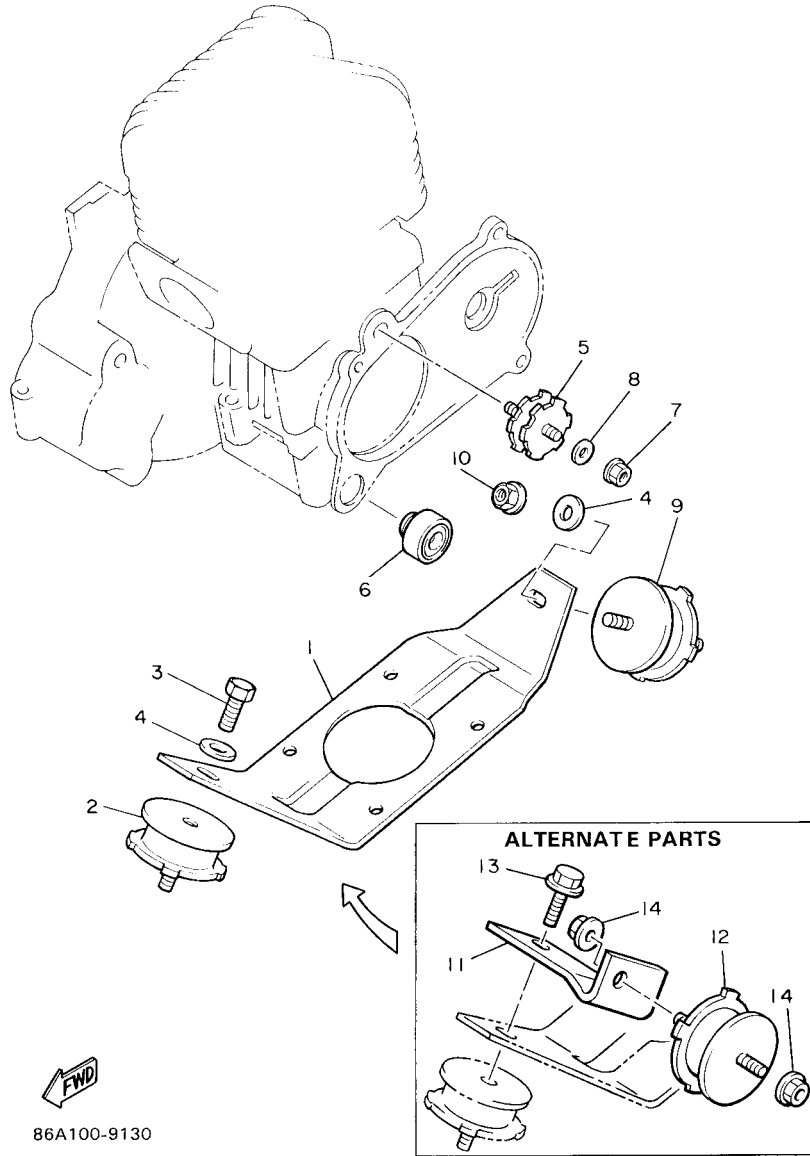
REF. NO.	PART NO.	DESCRIPTION	CAN	RUS	JPN	REMARKS
1	84J-17611-00	SHEAVE, PRIMARY FIXED	1	1	1	
2	8V0-17621-01	SHEAVE, PRIMARY SLIDING	1	1	1	
3	8V0-17631-00	CAP	1	1	1	
4	8V0-17640-02	SPIDER COMPLETE	1	1	1	
5	8V0-17639-00	STOPPER	2	2	2	
6	88X-17653-00	SLIDER	3	3	3	
7	90387-057W5	COLLAR	3	3	3	
8	90387-087W7	COLLAR	3	3	3	
9	90202-08205	WASHER, PLATE	6	6	6	
10	90201-050P9	WASHER, PLATE	6	6	6	
11	97027-05035	BOLT, HEXAGON	3	3	3	
12	95617-05100	NUT, U	3	3	3	
13	97017-06030	BOLT	6	6	6	
14	92907-06600	WASHER, PLATE	6	6	6	
15	8V0-17647-00	BOLT (L=156.5MM)	1	1	1	
16	90389-28032	BUSH	1	1	1	
17	93607-44190	PIN, DOWEL	3	3	3	
18	90201-077F5	WASHER, PLATE	6	6	6	
19	92907-16100	WASHER	1	1	1	
20	90389-40029	BUSH	1	1	1	
21	8V8-W176A-00	WEIGHT, WITH BUSH	3	3	3	
22	90386-07152	.BUSH	1	1	1	
23	90501-554E8	SPRING, COMPRESSION	1	1	1	
24	89X-17641-01	V-BELT	1	1	1	

FIG. 12 SECONDARY SHEAVE



  
8R4100-2130

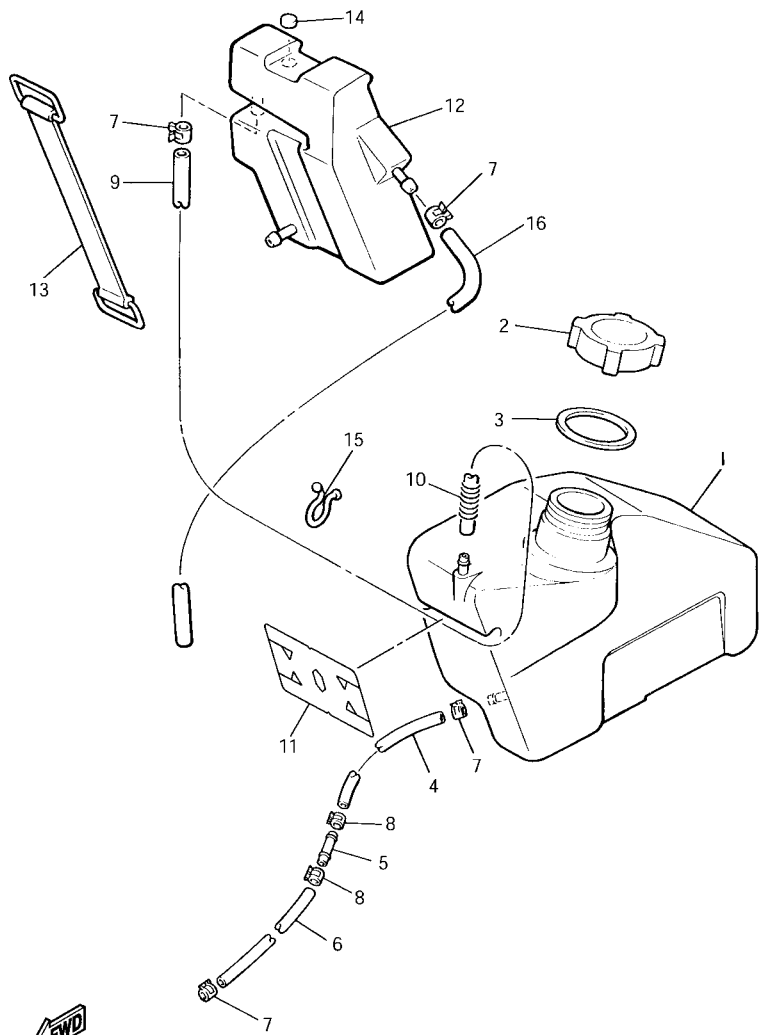
REF. NO.	PART NO.	DESCRIPTION	CAN	RUS	JPN	REMARKS
1	8R4-17660-00	SECONDARY FIXED SHEAVE COMP.	1	1	1	
2	8R4-17670-01	SECONDARY SLIDING SHEAVE	1	1	1	
3	8R4-17688-00	.SHOE, RAMP	3	3	3	
4	8R4-17681-01	SHAFT, SECONDARY	1	1	1	
5	8R4-17684-00	SEAT, SECONDARY SPRING	1	1	1	
6	93440-25100	CIRCLIP	1	1	1	
7	90508-40080	SPRING, TORSION	1	1	1	
8	90387-260W3	COLLAR	1	1	1	
9	90201-122H1	WASHER, PLATE	1	1	1	
10	90185-12061	NUT, SELF-LOCKING	1	1	1	
11	90282-05047	KEY, STRAIGHT	1	1	1	
12	93306-20582	BEARING	1	1	1	
13	8R4-47631-00	HOUSING, BEARING	1	1	1	
14	97027-08016	BOLT, HEXAGON	3	3	3	
15	92907-08600	WASHER, PLATE	3	3	3	



86A100-9130

**FIG. 13 ENGINE BRACKET**

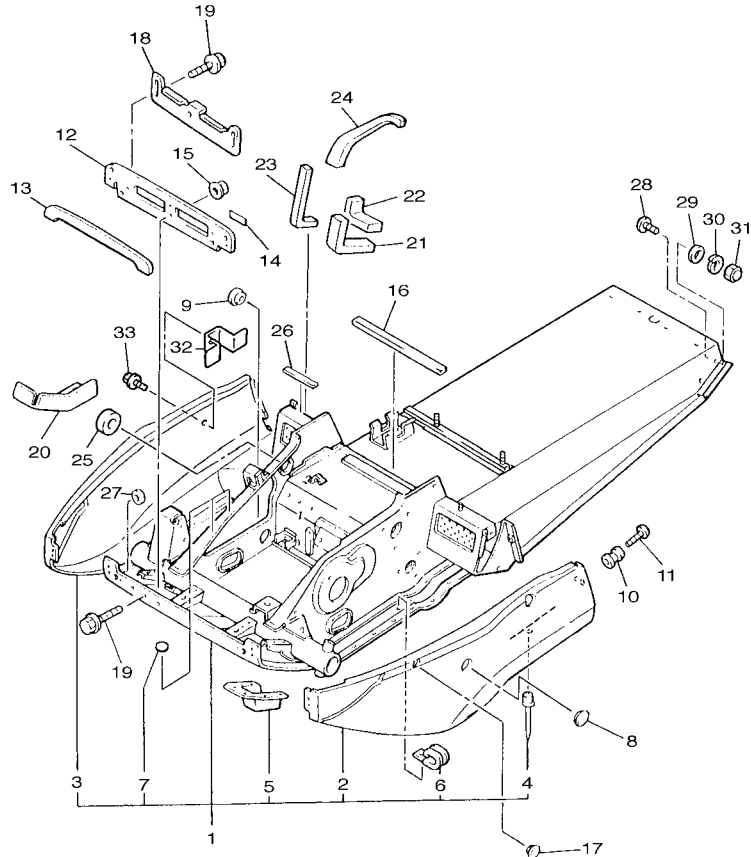
REF. NO.	PART NO.	DESCRIPTION	CAN	RUS	JPN	REMARKS
1	8R4-21411-00	BRACKET, ENGINE 1	1	1	1	
2	8R4-21485-00	DAMPER, RUBBER 1	1	1	1	
3	95807-10014	BOLT, FLANGE	1	1	1	
4	90201-10321	WASHER, PLATE	2	2	2	
5	8V7-21486-00	DAMPER 2	1	1	1	
6	8R4-21488-01	DAMPER	1	1	1	
7	95707-08500	NUT, FLANGE	1	1	1	
8	92907-08200	WASHER	1	1	1	
9	8F3-21486-00	DAMPER 2	1	1	1	
10	90179-10279	NUT	1	1	1	
11	86A-21419-00	BRACKET, ENGINE 2	1	1	1	AP
12	8F3-21486-00	DAMPER 2	1	1	1	AP
13	95807-10020	BOLT, FLANGE	1	1	1	AP
14	95707-10500	NUT, FLANGE	2	2	2	AP



8BDF100-G140

**FIG. 14 OIL TANK**

REF. NO.	PART NO.	DESCRIPTION	CAN	RUS	JPN	REMARKS
1	8R4-21751-00	TANK, OIL	1	1	1	
2	863-21771-00	BODY, CAP	1	1	1	
3	90430-31003	GASKET	1	1	1	
4	91A30-05045	TUBE, FLEXIBLE VINYL	1	1	1	
5	8H8-24376-00	PIPE, JOINT 1	1	1	1	
6	91A30-05024	TUBE, FLEXIBLE VINYL	1	1	1	
7	90467-09026	CLIP	2	2	2	
8	90467-08017	CLIP	2	2	2	
9	90446-09003	HOSE	1	1	1	
10	90501-083J8	SPRING, COMPRESSION	1	1	1	
11	8BD-2173T-00	TAPE 1	1	1	1	
12	8V7-21871-00	TANK, RECOVERY	1	1	1	
13	8V7-21776-00	BAND, TANK FITTING	1	1	1	
14	90338-10132	PLUG	1	1	1	
15	90464-16039	CLAMP	4	4	5	
16	91A20-05045	TUBE, FLEXIBLE VINYL	1	1	1	

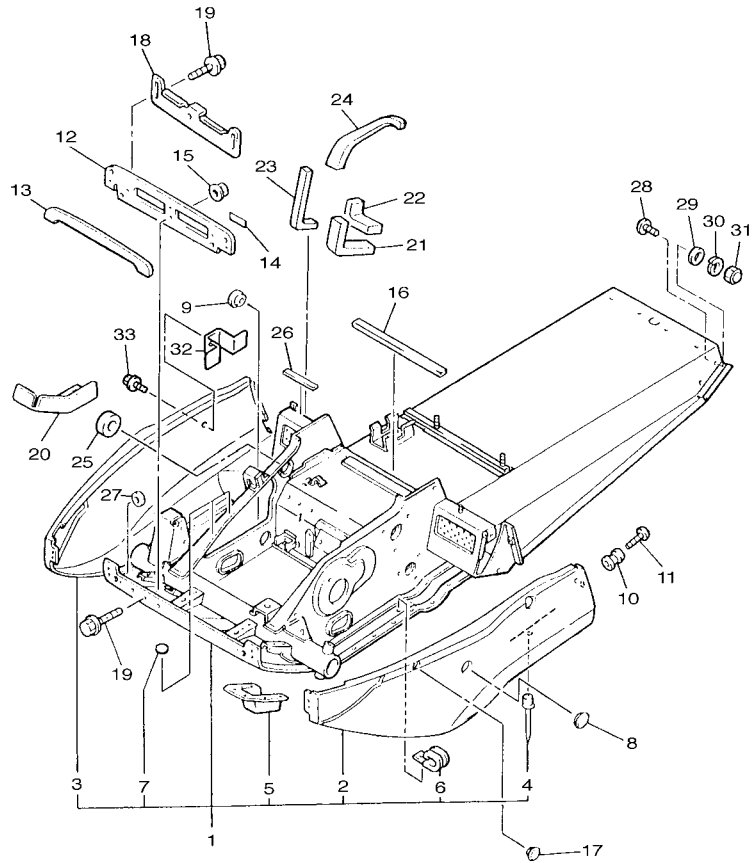


8BDH100-H150

FIG. 15 FRAME

REF. NO.	PART NO.	DESCRIPTION	CAN	RUS	JPN	REMARKS
1	8BD-21910-00	FRAME COMP.	1	1	1	
2	84A-21982-00	.HOOD 1	1	1	1	
3	84A-21983-00	.HOOD 2	1	1	1	
4	90267-48060	.RIVET,BLIND (4.8X12.9 BLACK)	58	58	58	
5	80F-2198G-00	.COVER 2	1	1	1	
6	90465-08028	.CLAMP	3	3	3	
7	80F-21998-00	.SPACER	5	5	5	
8	90338-40099	PLUG	2	2	2	
9	90480-40047	GROMMET	1	1	1	
10	8M6-77175-00	HOLDER, LATCH	2	2	2	
11	98907-06030	SCREW, BIND	2	2	2	
12	8V7-2198F-00	COVER 1	1	1	1	
13	8V7-77198-01	DAMPER 1	1	1	1	
14	8AC-2815P-E0	LABEL, NOTICE 1	1			
	8AC-2815P-S0	LABEL, NOTICE 1		1		
	8AC-2815P-J0	LABEL, NOTICE 1			1	
15	95707-06500	NUT, FLANGE	1	1	1	
16	8R4-23891-00	SHIELD, NOISE 1	1	1	1	
17	90338-09127	PLUG	2	2	2	
18	8V7-2198G-00	COVER 2	1	1	1	
19	95807-06012	BOLT, FLANGE	8	8	8	
20	80F-2199H-00	SHIELD, HEAT	1	1	1	
21	8V7-21961-00	PATCH 1	1	1	1	
22	8V7-21962-00	PATCH 2	1	1	1	
23	8V7-21963-00	PATCH 3	1	1	1	
24	82X-21964-00	PATCH 4	1	1	1	
25	80F-21967-00	PATCH 7	1	1	1	

FIG. 15 FRAME



8BDH100-H150

REF. NO.	PART NO.	DESCRIPTION	CAN	RUS	JPN	REMARKS
26	80F-21988-00	PATCH 8	1	1	1	
27	80F-21989-00	PATCH 9	2	2	2	
28	98907-08016	SCREW, BIND	4	4	4	
29	92907-08600	WASHER, PLATE	4	4	4	
30	92907-08100	WASHER, SPRING	4	4	4	
31	95307-08800	NUT	4	4	4	
32	8BD-77338-00	STAY, BELT	1	1	1	
33	95827-08016	BOLT, FLANGE	1	1	1	

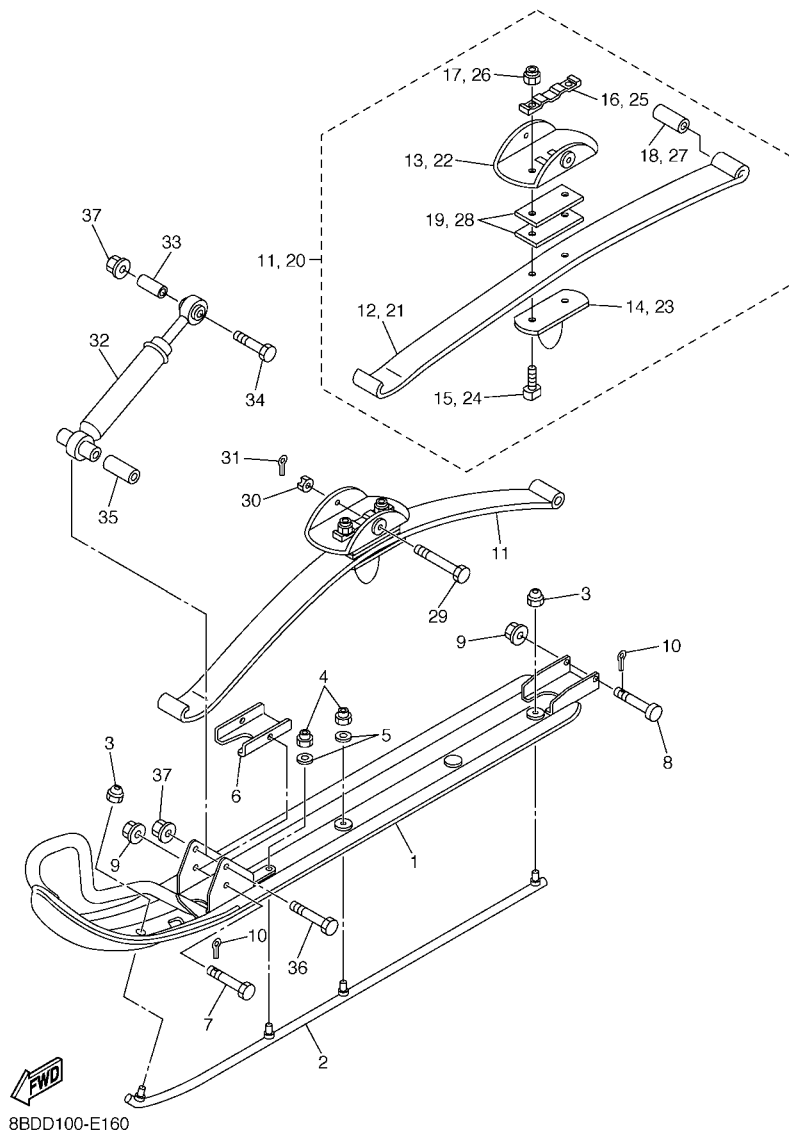
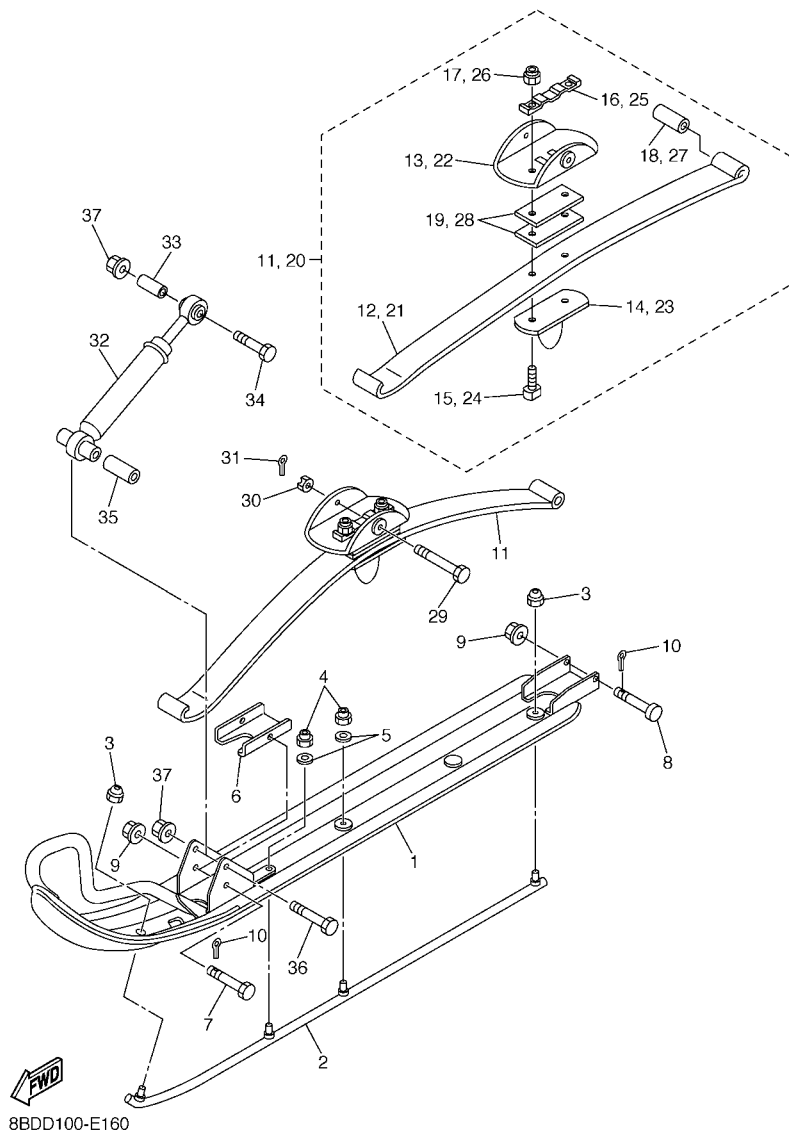


FIG. 16 SKI

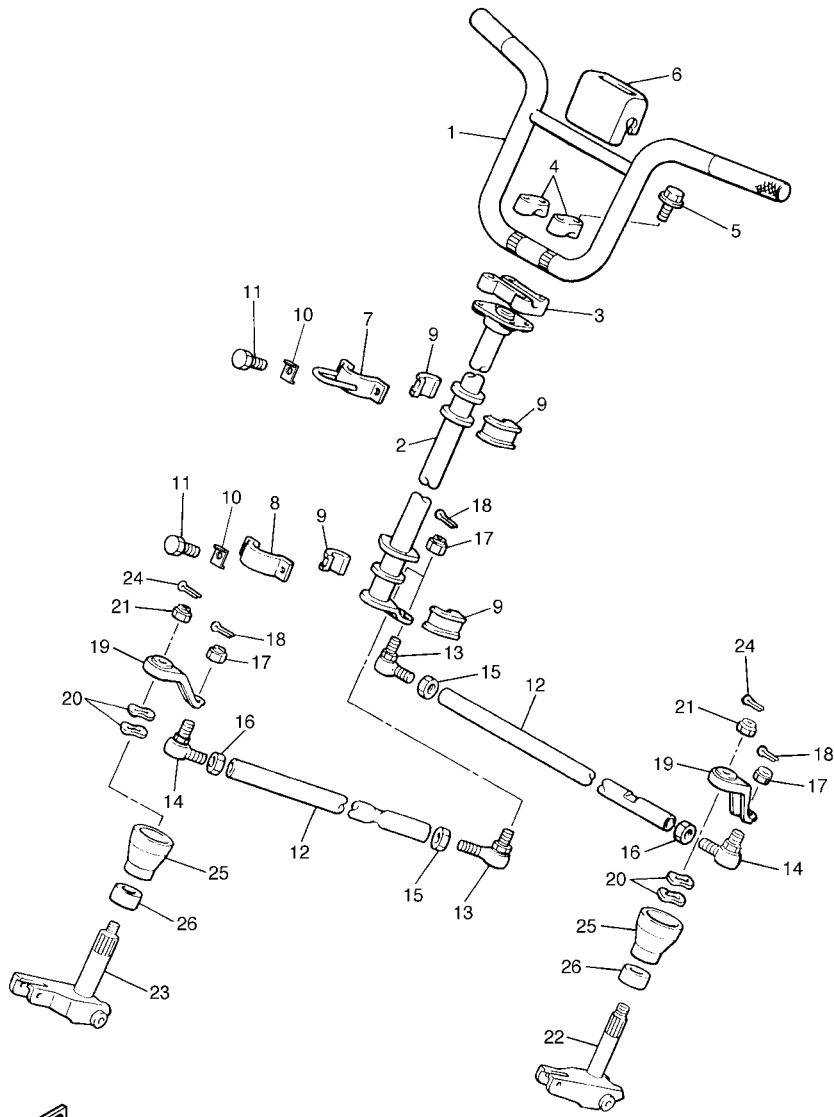
REF. NO.	PART NO.	DESCRIPTION	CAN	RUS	JPN	REMARKS
1	8BD-23710-00	SKI COMP. 1	2	2	2	
2	8E3-23731-01	RUNNER 1	2	2	2	
3	95607-08200	NUT, SELF-LOCKING	4	4	4	
4	90185-08055	NUT, SELF-LOCKING	4	4	4	
5	92907-08600	WASHER, PLATE	4	4	4	
6	888-23735-00	PLATE, WEAR 1	2	2	2	
7	90102-08028	BOLT, WITH HOLE	2	2	2	
8	90102-08027	BOLT, WITH HOLE	2	2	2	
9	95707-08300	NUT, NYLON	4	4	4	
10	91401-20015	PIN, COTTER	4	4	4	
11	8BD-23760-00	SPRING ASSY 1	1	1	1	
12	8BD-23761-00	.LEAF 1	1	1	1	
13	8G6-23766-00	.SADDLE 1	1	1	1	
14	878-23768-00	.SEAT, SPRING 1	1	1	1	
15	8BD-23767-00	.BOLT	2	2	2	
16	90215-10155	.WASHER, LOCK	1	1	1	
17	90185-10085	.NUT, SELF-LOCKING	2	2	2	
18	8BD-2376B-00	.BUSH	1	1	1	
19	8BD-23787-00	.SPACER	2	2	2	
20	8BD-23770-00	SPRING ASSY 2	1	1	1	
21	8BD-23761-00	.LEAF 1	1	1	1	
22	8G6-23766-00	.SADDLE 1	1	1	1	
23	878-23768-00	.SEAT, SPRING 1	1	1	1	
24	8BD-23767-00	.BOLT	2	2	2	
25	90215-10155	.WASHER, LOCK	1	1	1	
26	90185-10085	.NUT, SELF-LOCKING	2	2	2	
27	8BD-2376B-00	.BUSH	1	1	1	





**FIG. 16 SKI**

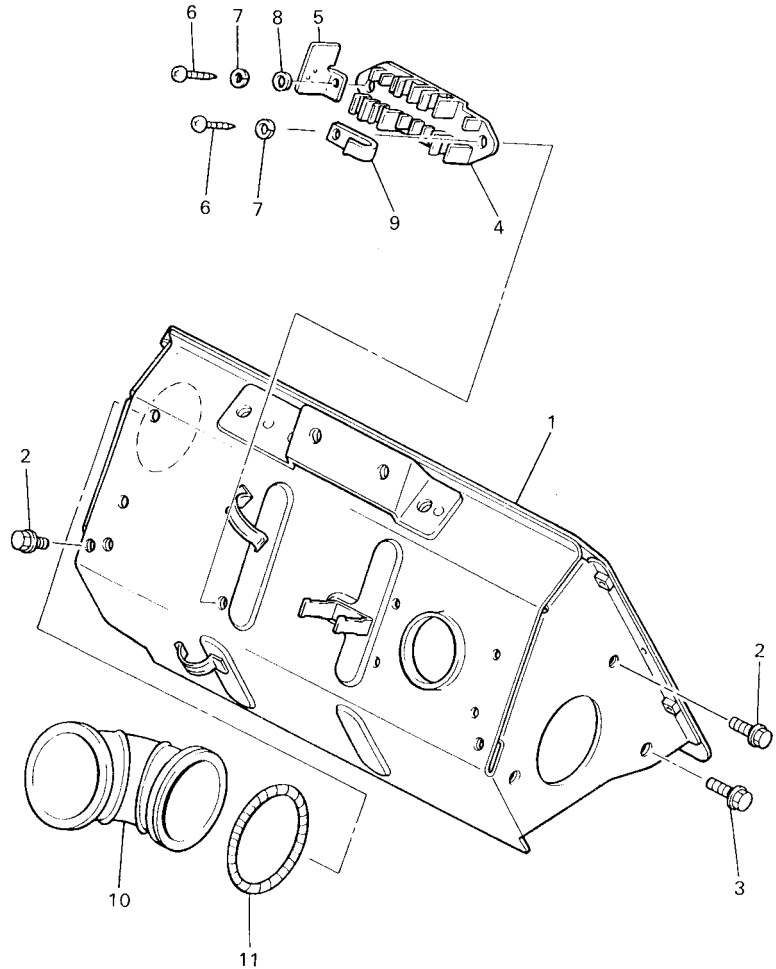
REF. NO.	PART NO.	DESCRIPTION	CAN	RUS	JPN	REMARKS
28	8BD-23787-00	.SPACER	2	2	2	
29	90102-12030	BOLT, WITH HOLE	2	2	2	
30	95307-12900	NUT	2	2	2	
31	91401-30025	PIN, COTTER	2	2	2	
32	8J6-23350-00	SHOCK ABSORBER ASSY	2	2	2	
33	90387-08262	COLLAR	2	2	2	
34	97007-08055	BOLT	2	2	2	
35	90387-08224	COLLAR	2	2	2	
36	97007-08070	BOLT	2	2	2	
37	95707-08300	NUT, NYLON	4	4	4	



8BDC100-D170

FIG. 17 STEERING

REF. NO.	PART NO.	DESCRIPTION	CAN	RUS	JPN	REMARKS
1	86A-23811-90	COLUMN, STEERING	1	1	1	
2	8R4-23813-00	COLUMN, STEERING 2	1	1	1	
3	8G5-23814-00	HOLDER, HANDLE UNDER	1	1	1	
4	8K1-23814-00	HOLDER, HANDLE	2	2	2	
5	95827-08055	BOLT, FLANGE	4	4	4	
6	8F3-23818-00	COVER, STEERING	1	1	1	
7	8Y4-23872-00	HOLDER, BEARING	1	1	1	
8	84M-23868-00	BRACKET, STEERING LOWER	1	1	1	
9	8F3-23812-00	PLANE BEARING, STEERING	4	4	4	
10	8AC-23894-00	WASHER, LOCK 1	4	4	4	
11	90101-08005	BOLT	4	4	4	
12	8R4-23821-00	ROD, STEERING RELAY	2	2	2	
13	86X-23841-00	JOINT, UNIVERSAL 1	2	2	2	
14	86X-23845-00	JOINT, UNIVERSAL 2	2	2	2	
15	95307-10700	NUT	2	2	2	
16	90170-10186	NUT	2	2	2	(L.H. THREAD)
17	90185-10085	NUT, SELF-LOCKING	4	4	4	
18	91401-25020	PIN, COTTER	4	4	4	
19	88P-23851-00	ARM, OUTSIDE 1	2	2	2	
20	90206-20037	WASHER, WAVE	4	4	4	
21	95707-10300	NUT, FLANGE	2	2	2	
22	8Y1-23853-00	COLUMN, SKI 1	1	1	1	
23	8Y1-23854-00	COLUMN, SKI 2	1	1	1	
24	91401-25020	PIN, COTTER	2	2	2	
25	8U0-2198G-00	COVER 2	2	2	2	
26	8Y1-21998-00	SPACER	2	2	2	



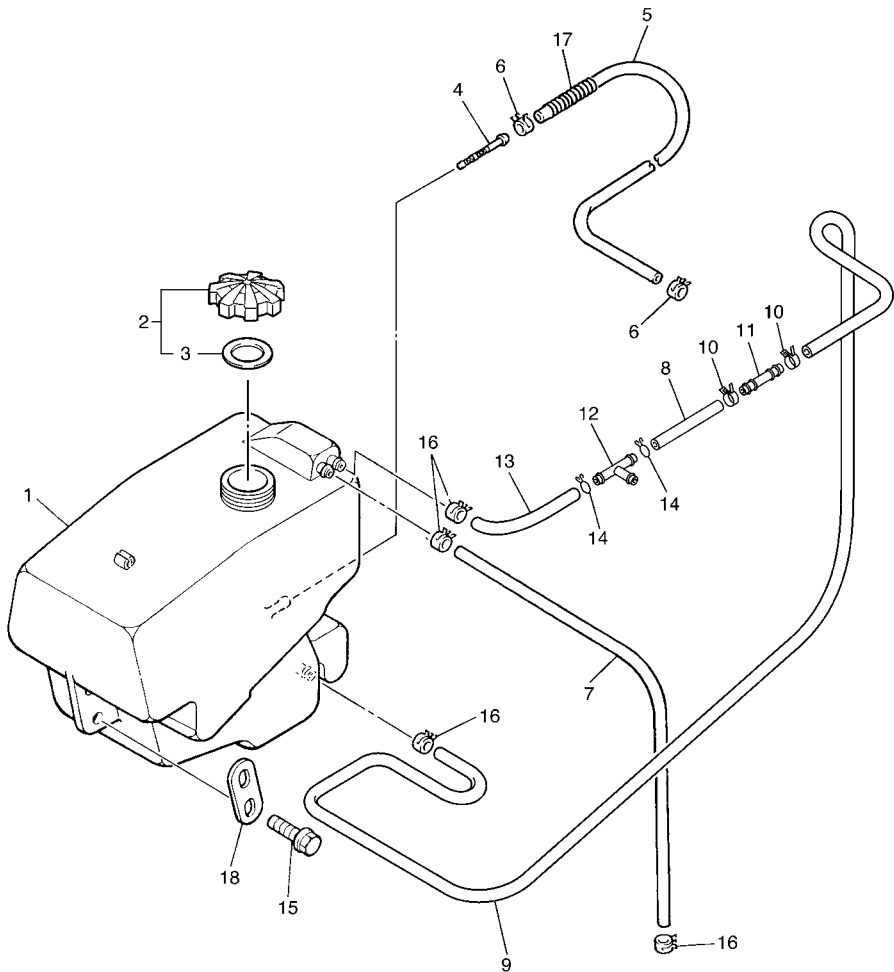
8BD100-5180

FIG. 18 STEERING GATE

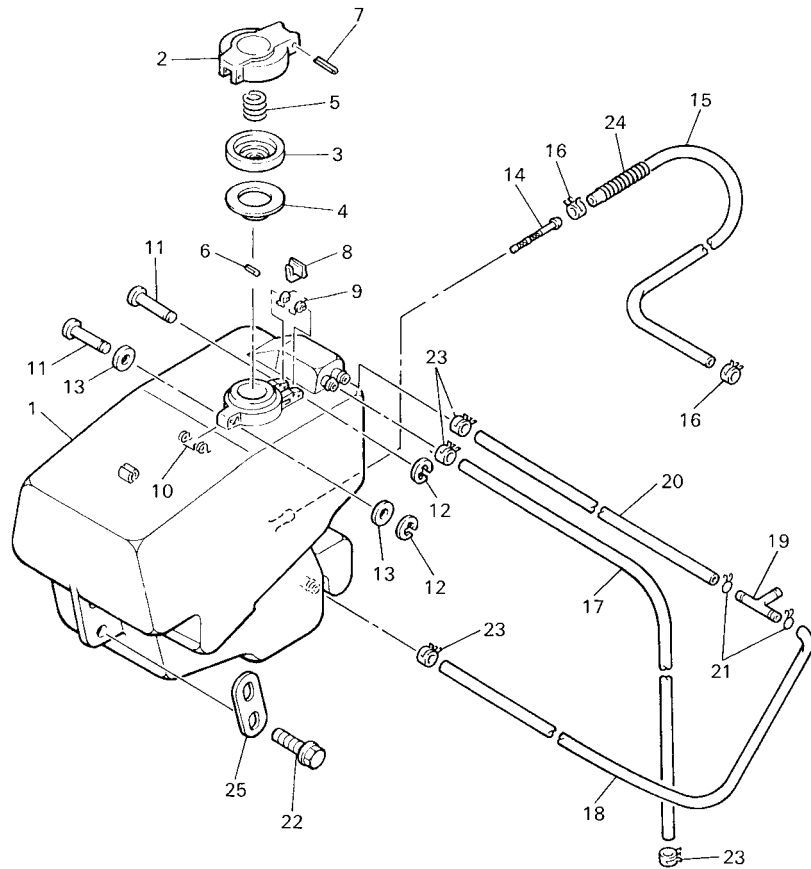
REF. NO.	PART NO.	DESCRIPTION	CAN	RUS	JPN	REMARKS
1	8BD-23871-01	GATE, STEERING	1	1	1	
2	95827-06012	BOLT, FLANGE	4	4	4	
3	90105-08688	BOLT, FLANGE	2	2	2	
4	8F3-21794-00	HOLDER, COUPLER	1	1	1	
5	8AE-23892-00	SHIELD, HEAT	1	1	1	
6	98507-06016	SCREW, PAN HEAD	2	2	2	
7	92907-06600	WASHER, PLATE	2	2	2	
8	92907-06200	WASHER	1	1	1	
9	90465-08028	CLAMP	1	1	1	
10	8A5-14423-00	PIPE, SUCTION 1	1	1	1	
11	90506-06083	SPRING, TENSION	1	1	1	

FIG. 19 FUEL TANK

REF. NO.	PART NO.	DESCRIPTION	CAN	RUS	JPN	REMARKS
1	8R4-24111-10	TANK, FUEL	1			
2	8BD-24610-10	CAP ASSY	1			
3	8BD-24641-10	.GASKET, CAP 1	1			
4	22F-24514-01	NET, FILTER 1	1			
5	90445-11051	HOSE	1			
6	90467-11028	CLIP	2			
7	91A20-05140	TUBE, FLEXIBLE VINYL	1			
8	90445-09029	HOSE	1			
9	90445-09031	HOSE	1			
10	90468-02078	CLIP	2			
11	8BD-24179-00	GAUGE, FUEL	1			
12	801-24376-00	PIPE, JOINT 1	1			
13	90445-09030	HOSE	1			
14	90467-08017	CLIP	2			
15	90105-08688	BOLT, FLANGE	4			
16	90467-09026	CLIP	6			
17	8F3-24327-00	PROTECTOR, PIPE	1			
18	8R4-24186-00	WASHER, SPECIAL	2			



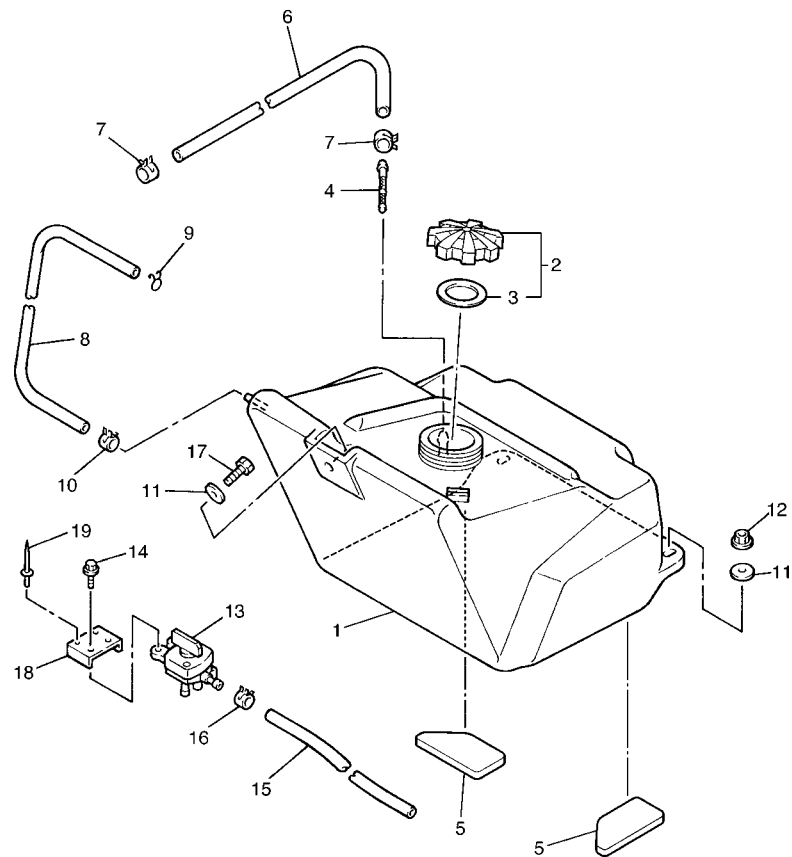
8BDF100-G190



8BD100-5190

FIG. 20 FUEL TANK 2

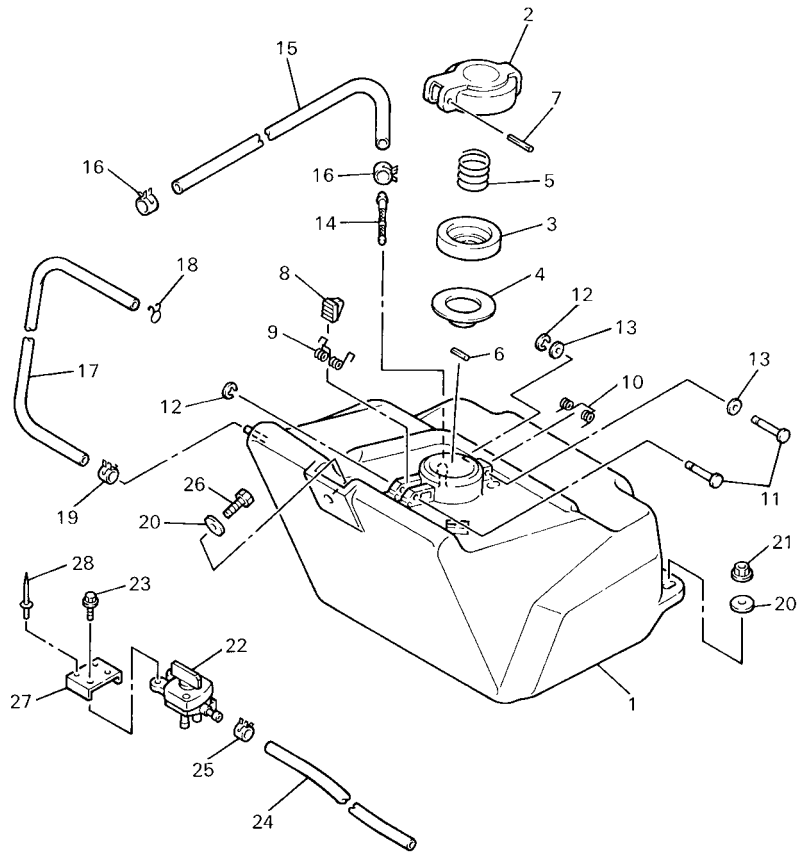
REF. NO.	PART NO.	DESCRIPTION	CAN	RUS	JPN	REMARKS
1	8R4-24111-02	TANK, FUEL		1	1	
2	8A5-24611-00	BODY, CAP		1	1	
3	813-24613-01	DISC, CAP		1	1	
4	89A-24641-00	GASKET, CAP 1		1	1	
5	90501-20130	SPRING, COMPRESSION		1	1	
6	91609-30016	PIN, SPRING		1	1	
7	91609-25032	PIN, SPRING		1	1	
8	83M-24628-00	HOOK		1	1	
9	90508-10715	SPRING, TORSION		1	1	
10	90508-08353	SPRING, TORSION		1	1	
11	90249-03017	PIN		2	2	
12	93430-02001	CIRCLIP		2	2	
13	90201-03313	WASHER, PLATE		2	2	
14	22F-24514-01	NET, FILTER 1		1	1	
15	90445-113K5	HOSE (L520)		1	1	
16	90467-11028	CLIP		2	2	
17	91A20-05140	TUBE, FLEXIBLE VINYL		1	1	
18	91A20-05090	TUBE, FLEXIBLE VINYL		1	1	
19	801-24376-00	PIPE, JOINT 1		1	1	
20	90445-097J9	HOSE (L520)		1	1	
21	90467-08017	CLIP		2	2	
22	90105-08688	BOLT, FLANGE		4	4	
23	90467-09026	CLIP		6	6	
24	8F3-24327-00	PROTECTOR, PIPE		1	1	
25	8R4-24186-00	WASHER, SPECIAL		2	2	



8BDF100-G210

FIG. 21 FUEL TANK 3

REF. NO.	PART NO.	DESCRIPTION	CAN	RUS	JPN	REMARKS
1	8BD-24211-10	TANK, FUEL	1			
2	8BD-24610-10	CAP ASSY	1			
3	8BD-24641-10	.GASKET, CAP 1	1			
4	22F-24514-01	NET, FILTER 1	1			
5	8BD-24141-00	PROTECTOR, FUEL TANK	2			
6	8BD-24312-00	PIPE 2	1			
7	90467-11028	CLIP	2			
8	90445-09032	HOSE	1			
9	90467-08017	CLIP	1			
10	90467-09026	CLIP	1			
11	90201-08784	WASHER, PLATE	3			
12	95707-08300	NUT, NYLON	2			
13	8BD-24500-00	FUEL COCK ASSY 1	1			
14	95807-06008	BOLT, FLANGE	2			
15	8BD-24313-00	PIPE 3	1			
16	90467-11028	CLIP	1			
17	97027-08020	BOLT, HEXAGON	1			
18	8BD-24544-00	BRACKET, FUEL COCK	1			
19	90267-48095	RIVET,BLIND (4.8X12.6 SILVER)	2			

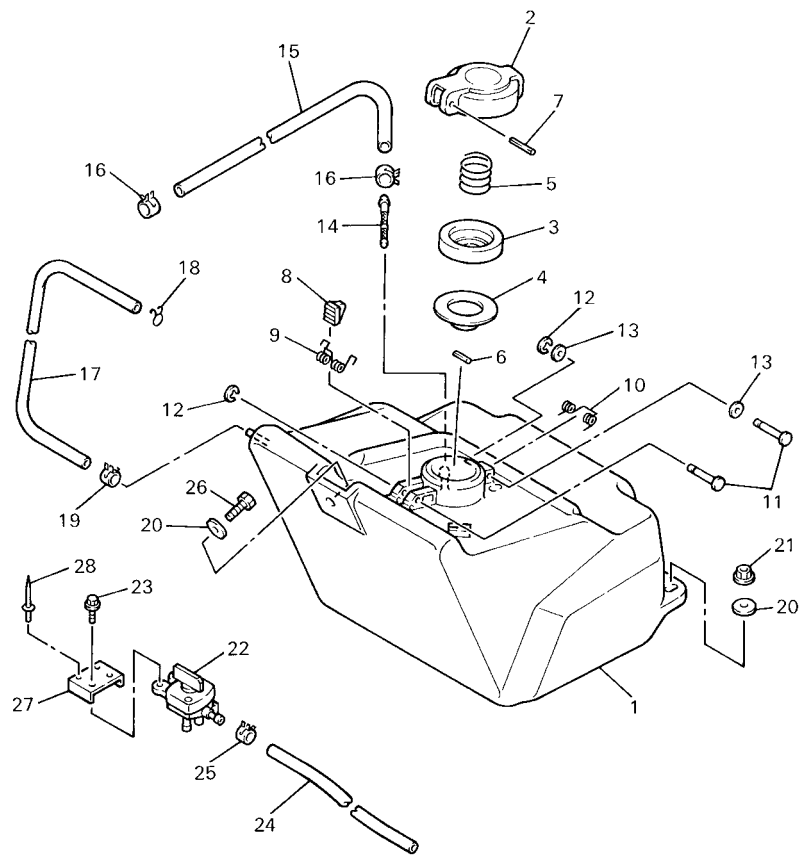


8BD5100-8200

FIG. 22 FUEL TANK 4

REF. NO.	PART NO.	DESCRIPTION	CAN	RUS	JPN	REMARKS
1	8BD-24211-01	TANK, FUEL		1	1	
2	8A5-24611-00	BODY, CAP		1	1	
3	813-24613-01	DISC, CAP		1	1	
4	89A-24641-00	GASKET, CAP 1		1	1	
5	90501-20130	SPRING, COMPRESSION		1	1	
6	91609-30016	PIN, SPRING		1	1	
7	91609-25032	PIN, SPRING		1	1	
8	83M-24628-00	HOOK		1	1	
9	90508-10715	SPRING, TORSION		1	1	
10	90508-08353	SPRING, TORSION		1	1	
11	90249-03017	PIN		2	2	
12	93430-02001	CIRCLIP		2	2	
13	90201-03313	WASHER, PLATE		2	2	
14	22F-24514-01	NET, FILTER 1		1	1	
15	90445-113K6	HOSE (L650)		1	1	
16	90467-11028	CLIP		2	2	
17	90445-095K5	HOSE (L960)		1	1	
18	90467-08017	CLIP		1	1	
19	90467-09026	CLIP		1	1	
20	90201-08784	WASHER, PLATE		3	3	
21	95707-08300	NUT, NYLON		2	2	
22	8BD-24500-00	FUEL COCK ASSY 1		1	1	
23	95807-06008	BOLT, FLANGE		2	2	
24	90445-111H4	HOSE (L95)		1		
	90445-114J9	HOSE (L265)			1	
25	90467-11028	CLIP		1	1	
26	97027-08020	BOLT, HEXAGON		1	1	

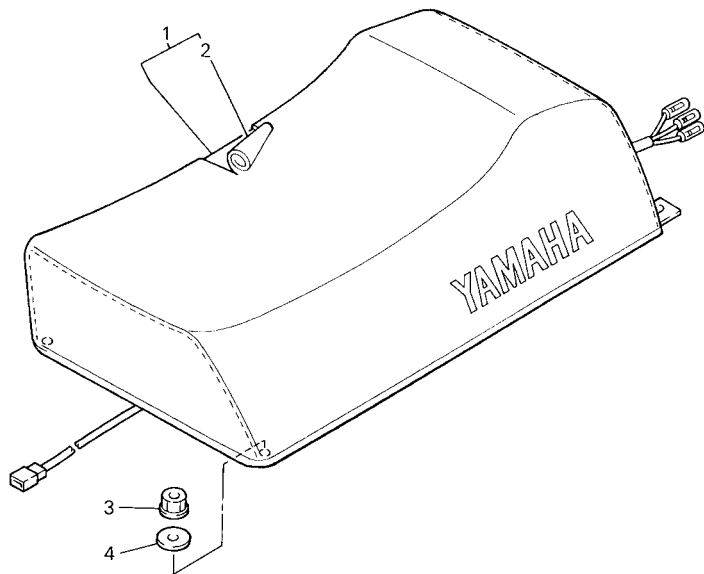
**FIG. 22 FUEL TANK 4**



 8BD5100-8200

REF. NO.	PART NO.	DESCRIPTION	CAN	RUS	JPN	REMARKS
27	8BD-24544-00	BRACKET, FUEL COCK		1	1	
28	90267-48095	RIVET,BLIND (4.8X12.6 SILVER)		2	2	
-----						
-----						
-----						
-----						
-----						
-----						
-----						
-----						
-----						

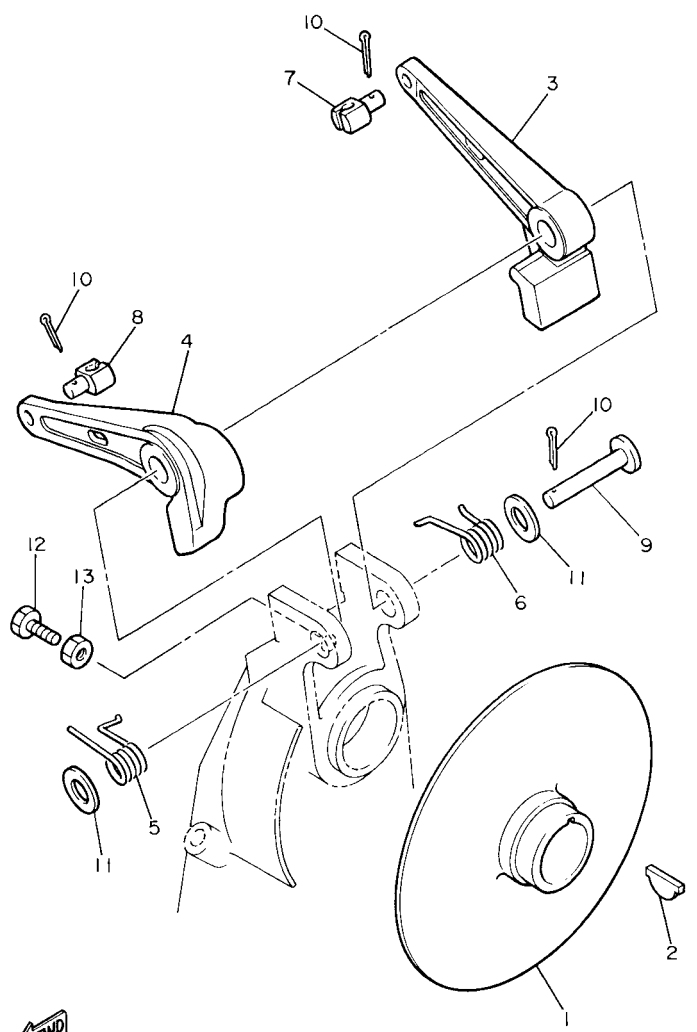




8BD100-5210

**FIG. 23 SEAT**

REF. NO.	PART NO.	DESCRIPTION	CAN	RUS	JPN	REMARKS
1	8BD-24710-01	SINGLE SEAT ASSY	1	1	1	
2	8BD-2470F-01	.SEAT COVER COMP.	1	1	1	
3	95707-06300	NUT, NYLON	2	2	2	
4	90201-06071	WASHER, PLATE	2	2	2	
-----						
-----						
-----						
-----						
-----						
-----						
-----						
-----						
-----						
-----						
-----						



8R4100-2140

**FIG. 24 BRAKE**

REF. NO.	PART NO.	DESCRIPTION	CAN	RUS	JPN	REMARKS
1	8R4-25711-00	DISC, BRAKE	1	1	1	
2	8J7-25848-00	KEY	1	1	1	
3	8BC-25730-00	CALIPER BODY COMP.1	1	1	1	
4	8BC-25740-00	CALIPER BODY COMP. 2	1	1	1	
5	90508-29601	SPRING, TORSION	1	1	1	
6	90508-29602	SPRING, TORSION	1	1	1	
7	90249-06012	PIN	1	1	1	
8	90249-06009	PIN	1	1	1	
9	90240-08068	PIN, CLEVIS	1	1	1	
10	91401-20015	PIN, COTTER	3	3	3	
11	92907-08600	WASHER, PLATE	2	2	2	
12	90101-06534	BOLT	1	1	1	
13	95307-06700	NUT	1	1	1	

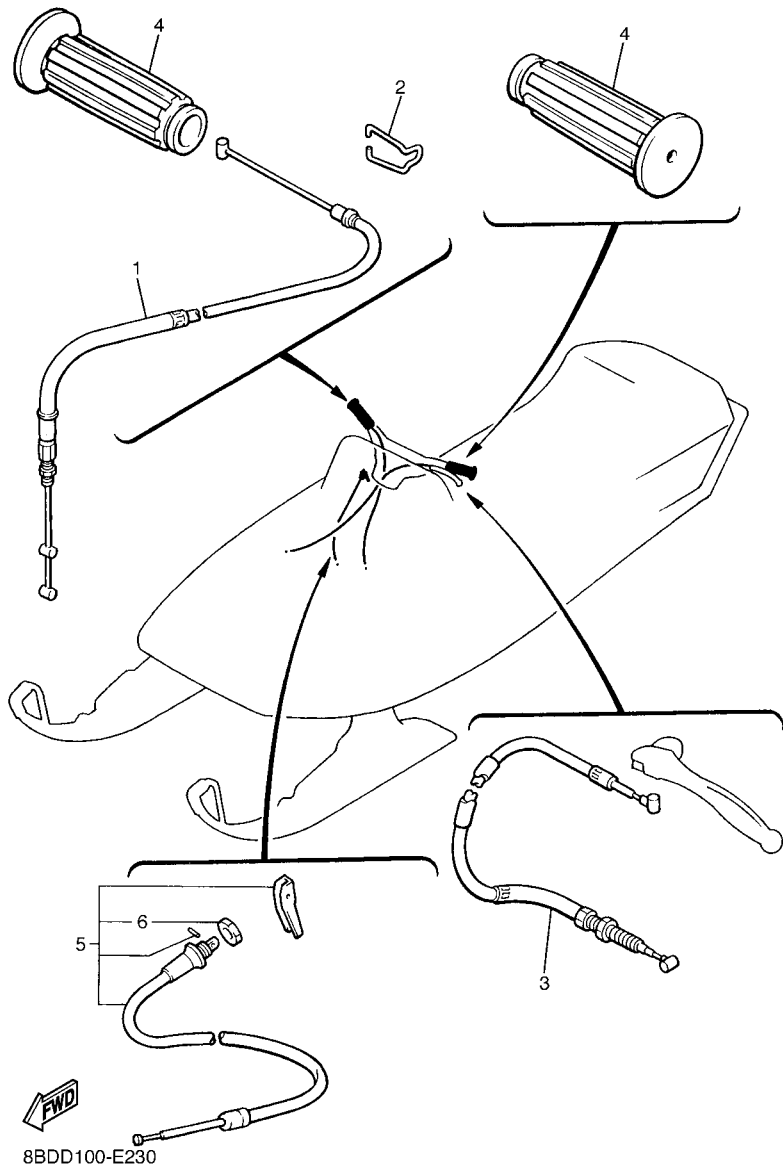
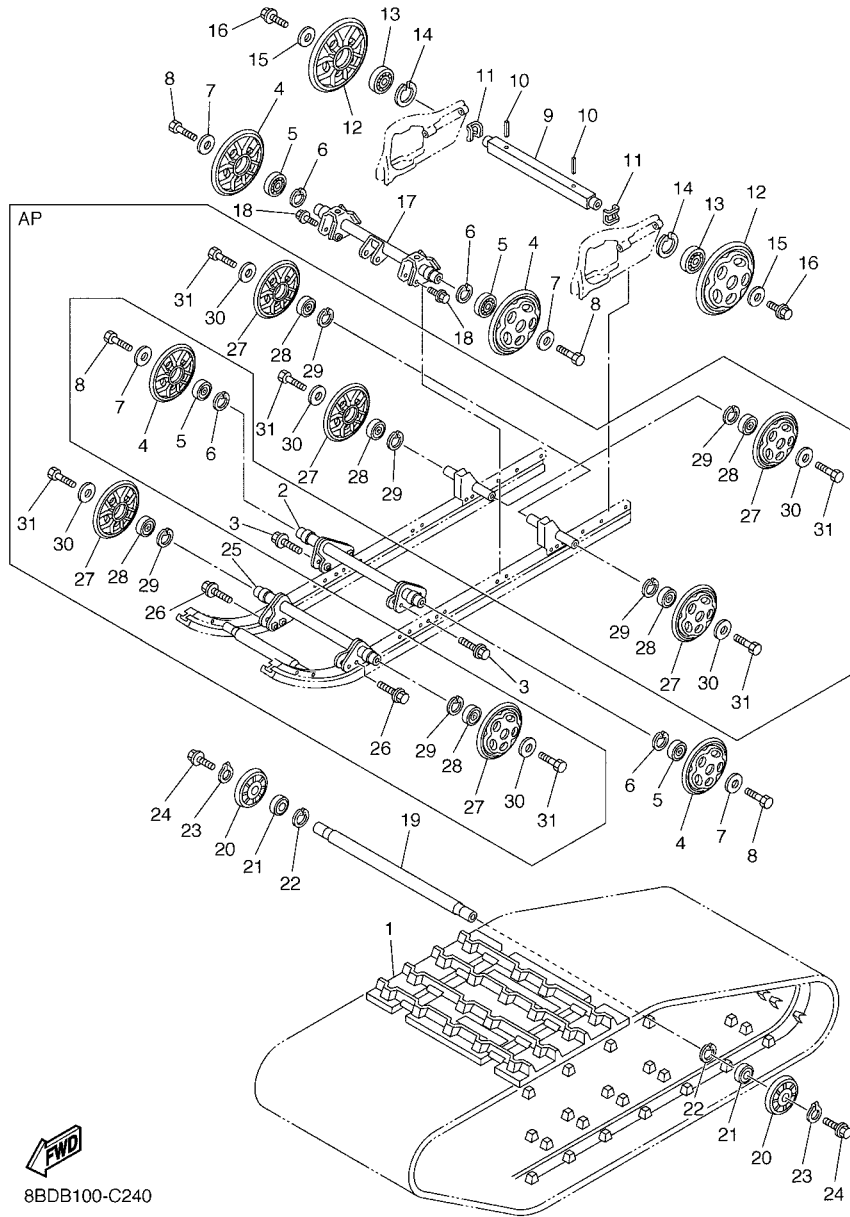


FIG. 25 CONTROL CABLE

REF. NO.	PART NO.	DESCRIPTION	CAN	RUS	JPN	REMARKS
1	83Y-26311-01	CABLE, THROTTLE 1	1	1	1	
2	90465-10189	CLAMP	1	1	1	
3	8R4-26340-00	CABLE, BRAKE	1	1	1	
4	801-26241-01	GRIP	2	2	2	
5	80F-26331-00	CABLE, STARTER 1	1	1	1	
6	8G8-26333-00	.NUT	1	1	1	
-----						
-----						
-----						
-----						
-----						
-----						
-----						
-----						



8BDB100-C240

FIG. 26 TRACK SUSPENSION 1

REF. NO.	PART NO.	DESCRIPTION	CAN	RUS	JPN	REMARKS
1	8BD-47110-00	TRACK ASSY	1	1	1	
2	8T9-47451-00	BAR, SUSPENSION	1	1	1	
3	90101-06348	BOLT	6	6	6	
4	87M-47320-00	SUSPENSION WHEEL COMP.	4	4	4	
5	93306-00444	BEARING	4	4	4	
6	99009-42500	CIRCLIP	4	4	4	
7	90201-08681	WASHER, PLATE	4	4	4	
8	90109-08559	BOLT	4	4	4	
9	8E3-47521-00	AXLE, REAR	1	1	1	
10	91609-40040	PIN, SPRING	2	2	2	
11	8E3-47384-00	WASHER	2	2	2	
12	8L4-47530-00	GUIDE WHEEL COMP.	2	2	2	
13	93306-20469	BEARING	2	2	2	
14	99009-47500	CIRCLIP	2	2	2	
15	90201-083A8	WASHER, PLATE	2	2	2	
16	95827-08020	BOLT, FLANGE	2	2	2	
17	8V5-47451-00	BAR, SUSPENSION	1	1	1	
18	90119-08008	BOLT, WITH WASHER	4	4	4	
19	8L1-47461-00	IDLER	1	1	1	
20	8H8-47320-00	SUSPENSION WHEEL COMP.	2	2	2	
21	93306-00444	BEARING	2	2	2	
22	99009-42500	CIRCLIP	2	2	2	
23	99009-20400	CIRCLIP	2	2	2	
24	95827-08020	BOLT, FLANGE	2	2	2	
25	8T9-47451-00	BAR, SUSPENSION	1	1	1	AP
26	90101-06348	BOLT	6	6	6	AP
27	87M-47320-00	SUSPENSION WHEEL COMP.	6	6	6	AP

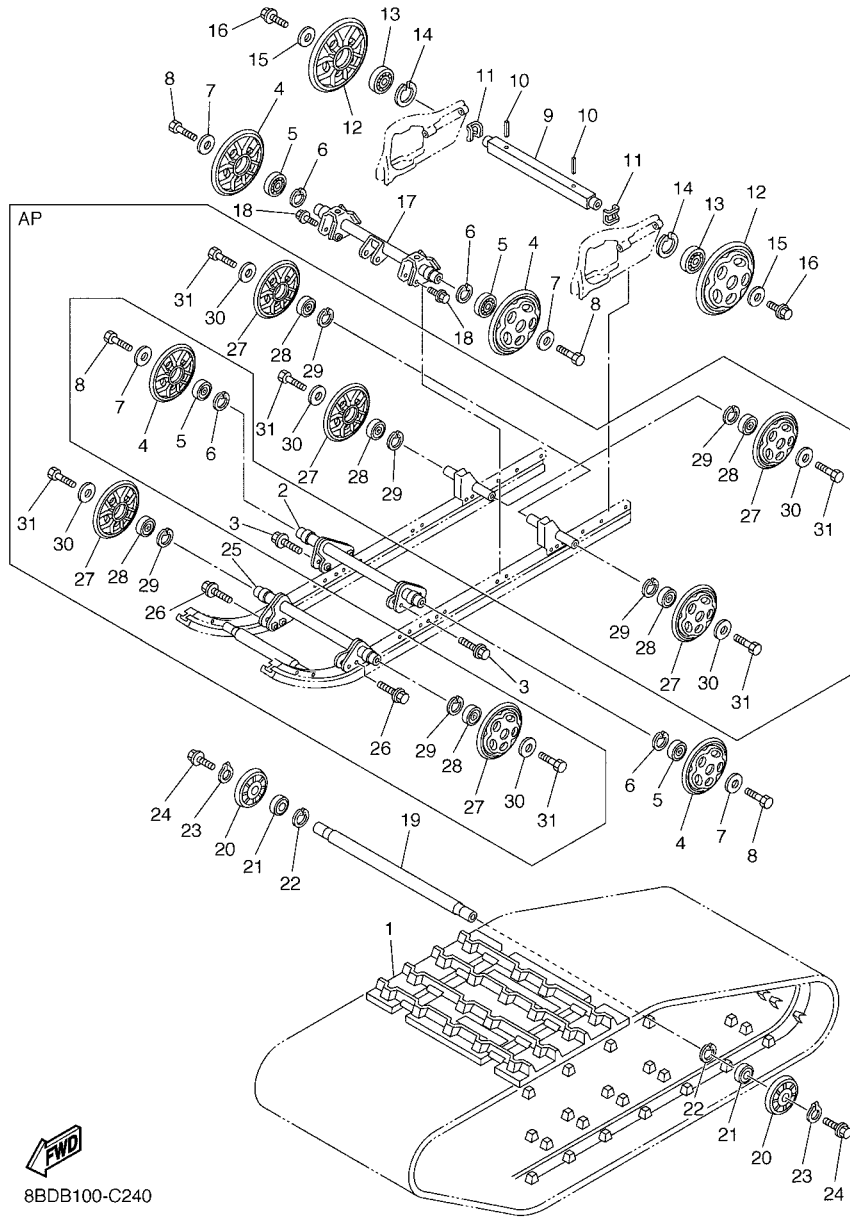
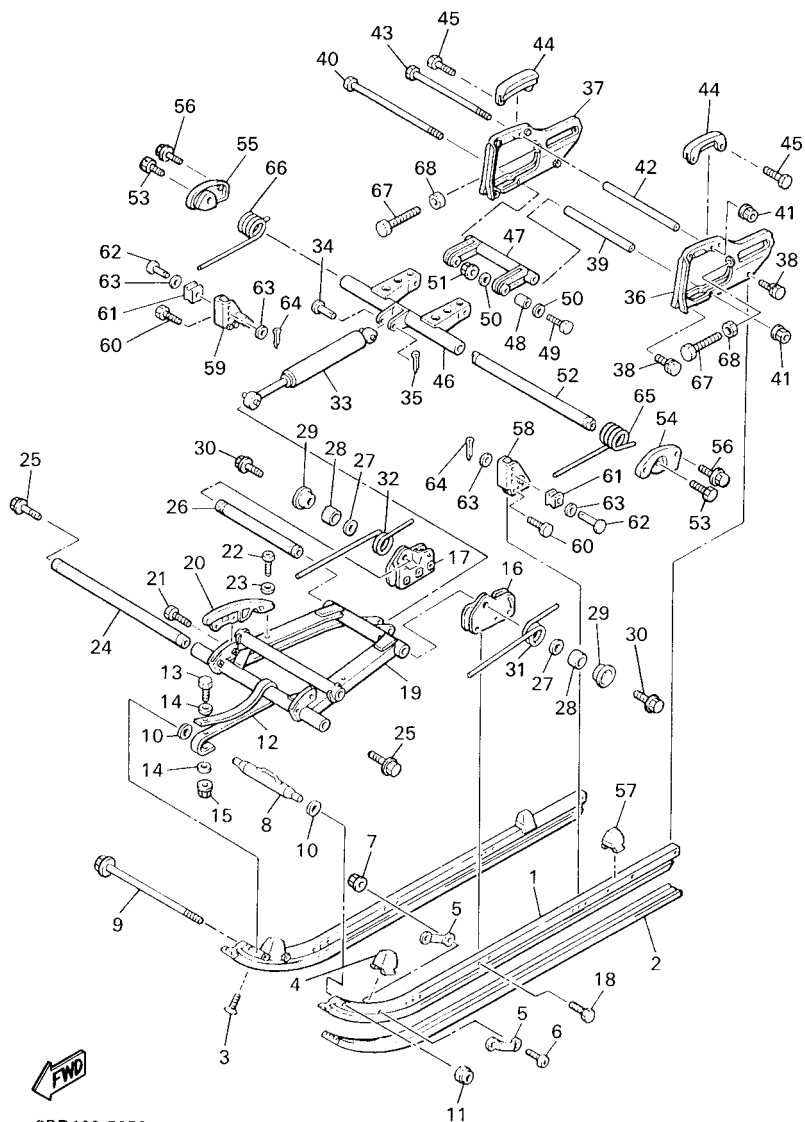


FIG. 26 TRACK SUSPENSION 1

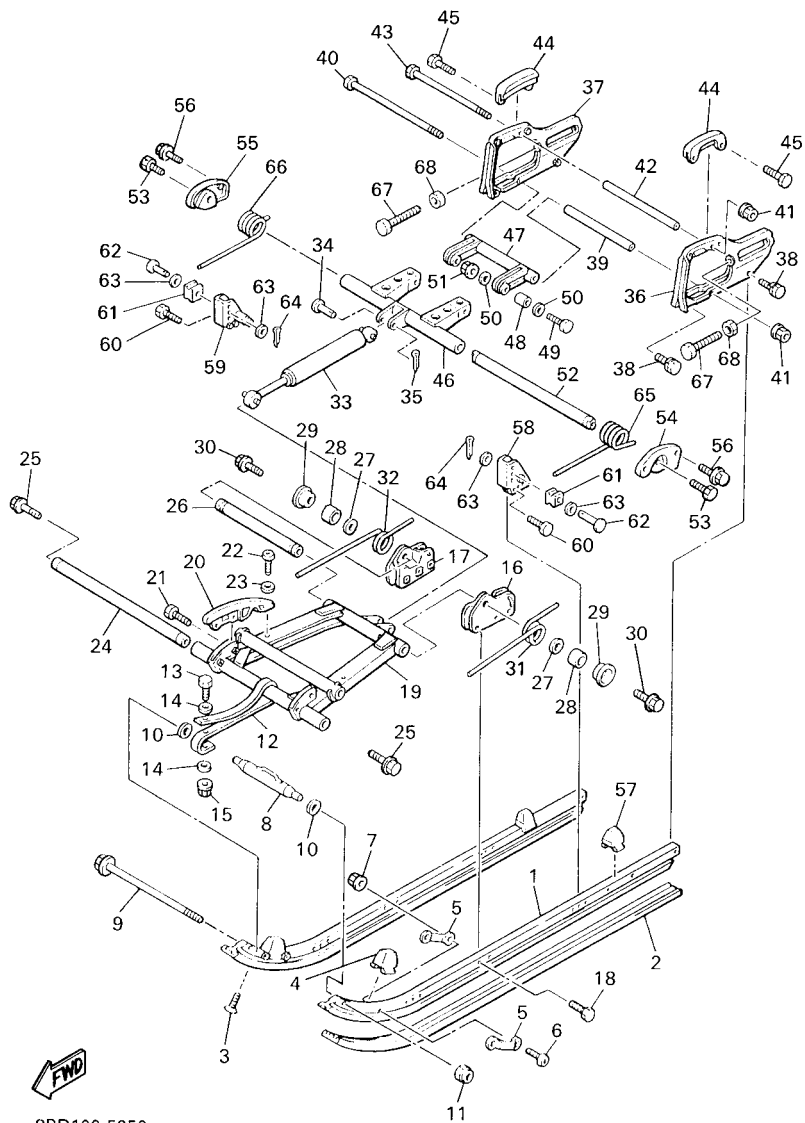
REF. NO.	PART NO.	DESCRIPTION	CAN	RUS	JPN	REMARKS
28	93306-00444	BEARING	6	6	6	AP
29	99009-42500	CIRCLIP	6	6	6	AP
30	90201-08681	WASHER, PLATE	6	6	6	AP
31	90109-08559	BOLT	6	6	6	AP
-----						
-----						
-----						
-----						
-----						
-----						
-----						
-----						
-----						
-----						
-----						



8BD100-5250

FIG. 27 TRACK SUSPENSION 2

REF. NO.	PART NO.	DESCRIPTION	CAN	RUS	JPN	REMARKS
1	80E-47411-00	FRAME, SLIDING 1	2	2	2	
2	8X0-47421-00	RUNNER, SLIDING 1	2	2	2	
3	90151-06010	SCREW, COUNTERSUNK	2	2	2	
4	888-47456-01	DAMPER 1	2	2	2	
5	885-47458-01	PLATE, DAMPER	4	4	4	
6	97007-05035	BOLT	4	4	4	
7	95707-05300	NUT, FLANGE	4	4	4	
8	899-47415-00	BRACKET 1	1	1	1	
9	95827-08260	BOLT, FLANGE	1	1	1	
10	90201-08093	WASHER, PLATE	2	2	2	
11	95607-08200	NUT, SELF-LOCKING	1	1	1	
12	888-47495-02	STOPPER 1	1	1	1	
13	97007-06035	BOLT	1	1	1	
14	90201-06747	WASHER, PLATE	2	2	2	
15	95707-06300	NUT, NYLON	1	1	1	
16	85A-47416-00	BRACKET 2	1	1	1	
17	85A-47419-00	BRACKET 7	1	1	1	
18	90101-06348	BOLT	6	6	6	
19	89D-47331-00	ARM, PIVOT 1	1	1	1	
20	8G8-47422-00	RUNNER, SLIDING 2	2	2	2	
21	97007-06020	BOLT	4	4	4	
22	98507-06020	SCREW, PAN HEAD	2	2	2	
23	92907-06600	WASHER, PLATE	2	2	2	
24	8A5-47465-02	SHAFT 1	1	1	1	
25	90109-10771	BOLT	2	2	2	
26	8A5-47485-02	SHAFT 3	1	1	1	
27	90201-10149	WASHER, PLATE	2	2	2	

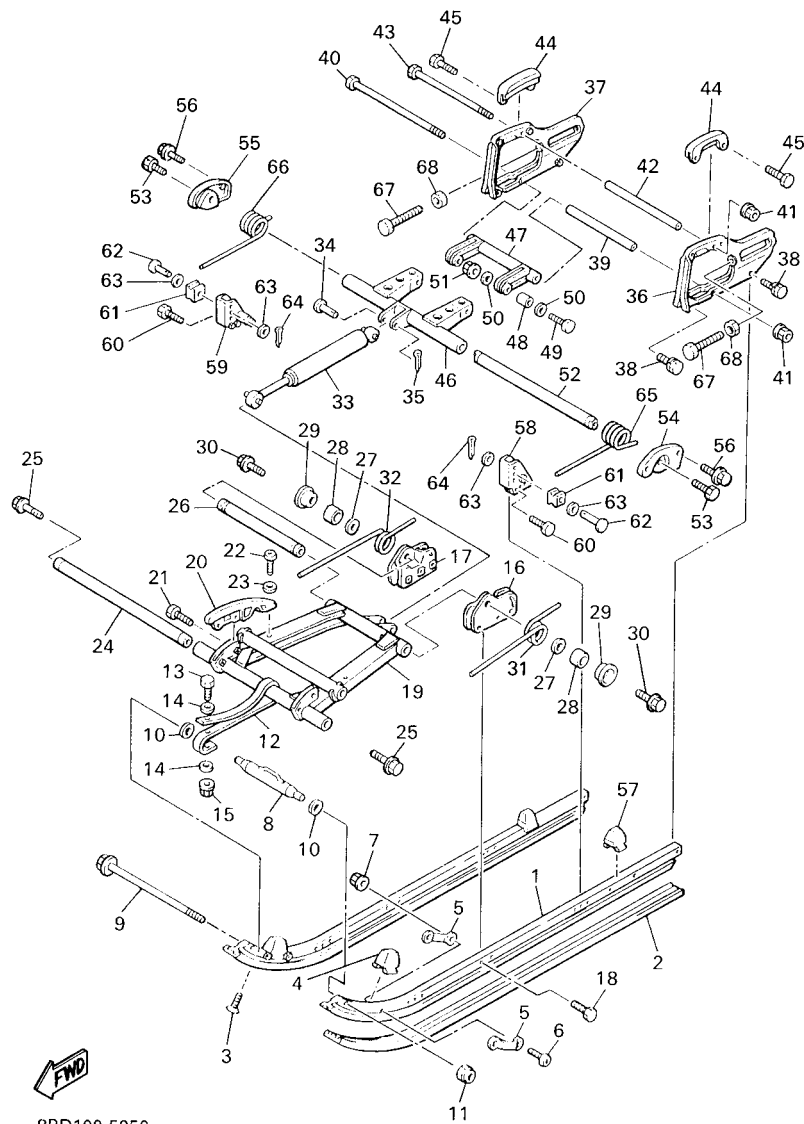


8BD100-5250

FIG. 27 TRACK SUSPENSION 2

REF. NO.	PART NO.	DESCRIPTION	CAN	RUS	JPN	REMARKS
28	90387-106L3	COLLAR	2	2	2	
29	90387-206L2	COLLAR	2	2	2	
30	95827-10080	BOLT, FLANGE	2	2	2	
31	80E-47471-01	SPRING, FRONT 1	1	1	1	
32	80E-47472-01	SPRING, FRONT 2	1	1	1	
33	8E7-47480-00	SHOCK ABSORBER	1	1	1	
34	90240-12115	PIN, CLEVIS	2	2	2	
35	91401-30020	PIN, COTTER	2	2	2	
36	8E3-47412-00	FRAME, SLIDING 2	1	1	1	
37	8E3-47413-00	FRAME, SLIDING 3	1	1	1	
38	90119-08008	BOLT, WITH WASHER	4	4	4	
39	90387-08496	COLLAR	1	1	1	
40	90101-08374	BOLT	1	1	1	
41	95707-08300	NUT, NYLON	2	2	2	
42	90387-08497	COLLAR	1	1	1	
43	97027-08250	BOLT, HEXAGON	1	1	1	
44	8E3-47422-00	RUNNER, SLIDING 2	2	2	2	
45	90119-06097	BOLT, WITH WASHER	4	4	4	
46	8A5-47332-00	ARM, PIVOT 2	1	1	1	
47	8A5-47417-00	BRACKET 3	1	1	1	
48	90387-08508	COLLAR	2	2	2	
49	97027-08045	BOLT, HEXAGON	2	2	2	
50	90201-08093	WASHER, PLATE	4	4	4	
51	95707-08300	NUT, NYLON	2	2	2	
52	8A5-47475-02	SHAFT 2	1	1	1	
53	90109-10771	BOLT	2	2	2	
54	8A5-47425-00	BRACKET, REAR 2	1	1	1	

FIG. 27 TRACK SUSPENSION 2

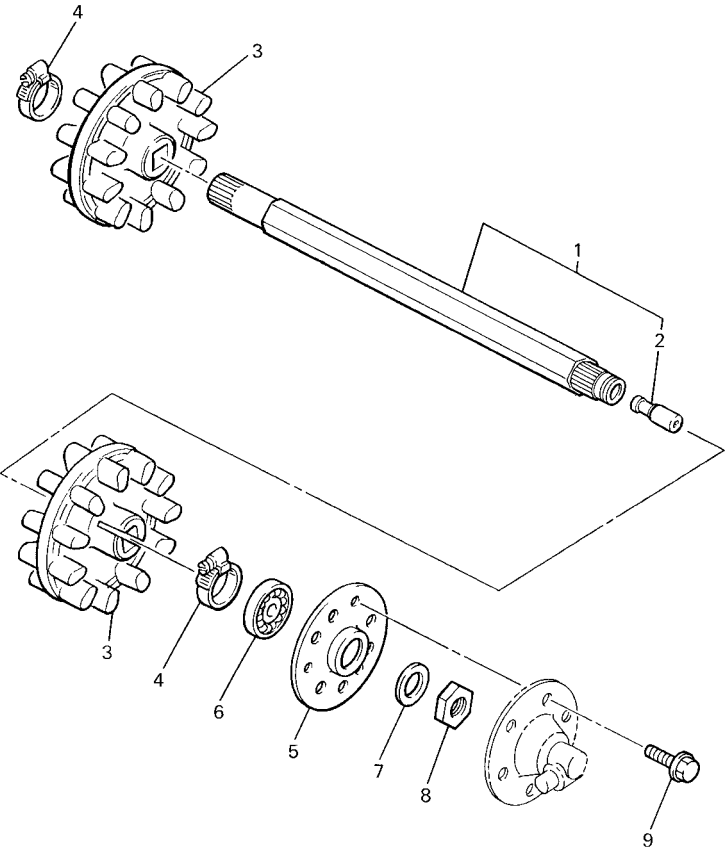


8BD100-5250

REF. NO.	PART NO.	DESCRIPTION	CAN	RUS	JPN	REMARKS
55	8A5-47426-00	BRACKET, REAR 1	1	1	1	
56	95827-08025	BOLT, FLANGE	4	4	4	
57	8L1-47457-01	DAMPER 2	2	2	2	
58	8T9-47463-00	BRACKET 5	1	1	1	
59	8T9-47464-00	BRACKET 6	1	1	1	
60	90101-06348	BOLT	6	6	6	
61	890-47447-00	HOOK 2	2	2	2	
62	90249-12113	PIN	2	2	2	
63	90201-12749	WASHER, PLATE	4	4	4	
64	91401-30025	PIN, COTTER	2	2	2	
65	90508-99331	SPRING, TORSION	1	1	1	STD
	90508-99649	SPRING, TORSION	1	1	1	AP
66	90508-99332	SPRING, TORSION	1	1	1	STD
	90508-99650	SPRING, TORSION	1	1	1	AP
67	90101-10314	BOLT	2	2	2	
68	90179-10279	NUT	2	2	2	



FIG. 28 TRACK DRIVE 1



8BD100-6260

REF. NO.	PART NO.	DESCRIPTION	CAN	RUS	JPN	REMARKS
1	85A-W4751-00	AXLE, FRONT	1	1	1	
2	8K4-47577-00	.CONNECTOR	1	1	1	
3	8E3-47531-00	WHEEL, SPROCKET 1	2	2	2	
4	90460-50079	CLAMP, HOSE	2	2	2	
5	8F3-47551-00	HOUSING, FRONT AXLE	1	1	1	
6	93306-00416	BEARING	1	1	1	
7	90208-20008	WASHER, CONICAL SPRING	1	1	1	
8	90170-20211	NUT	1	1	1	
9	95827-08014	BOLT, FLANGE	3	3	3	

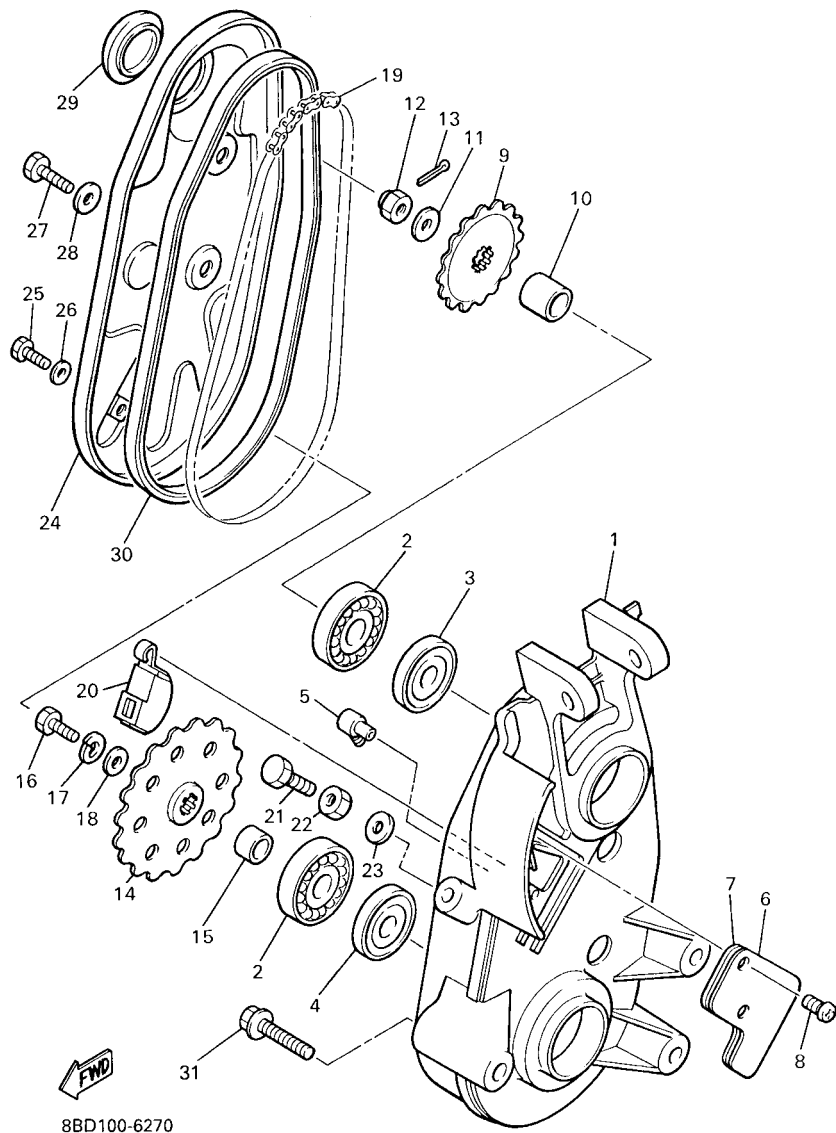


FIG. 29 TRACK DRIVE 2

REF. NO.	PART NO.	DESCRIPTION	CAN	RUS	JPN	REMARKS
1	8R4-47541-00	HOUSING, CHAIN	1	1	1	
2	93306-30407	BEARING	2	2	2	
3	93102-25081	OIL SEAL	1	1	1	
4	93102-20010	OIL SEAL	1	1	1	
5	89B-47586-00	BREATHER	1	1	1	
6	8R4-47591-00	PLATE	1	1	1	
7	86A-47592-00	GASKET	1	1	1	
8	98907-05016	SCREW, BIND	2	2	2	
9	812-17682-00	SPROCKET, CHAIN DRIVE(10T)	1	1	1	STD
	812-17682-10	SPROCKET, CHAIN DRIVE(11T)	1	1	1	AP
	812-17682-20	SPROCKET, CHAIN DRIVE(12T)	1	1	1	AP
	812-17682-30	SPROCKET, CHAIN DRIVE(13T)	1	1	1	AP
	812-17682-40	SPROCKET, CHAIN DRIVE(14T)	1	1	1	AP
10	90387-197E9	COLLAR	1	1	1	
11	90208-12015	WASHER, CONICAL SPRING	1	1	1	
12	90179-12657	NUT	1	1	1	
13	91401-25025	PIN, COTTER	1	1	1	
14	8BC-47548-40	SPROCKET, CHAIN DRIVEN(24T)	1	1	1	STD
	8BC-47548-10	SPROCKET, CHAIN DRIVEN(21T)	1	1	1	AP
	8BC-47548-20	SPROCKET, CHAIN DRIVEN(22T)	1	1	1	AP
	8BC-47548-30	SPROCKET, CHAIN DRIVEN(23T)	1	1	1	AP
15	90387-200F1	COLLAR	1	1	1	
16	97027-08025	BOLT, HEXAGON	1	1	1	
17	92907-08600	WASHER, PLATE	1	1	1	
18	90201-086A3	WASHER, PLATE	1	1	1	
19	94580-01044	CHAIN	1	1	1	
20	8F3-47611-02	TENSIONER	1	1	1	

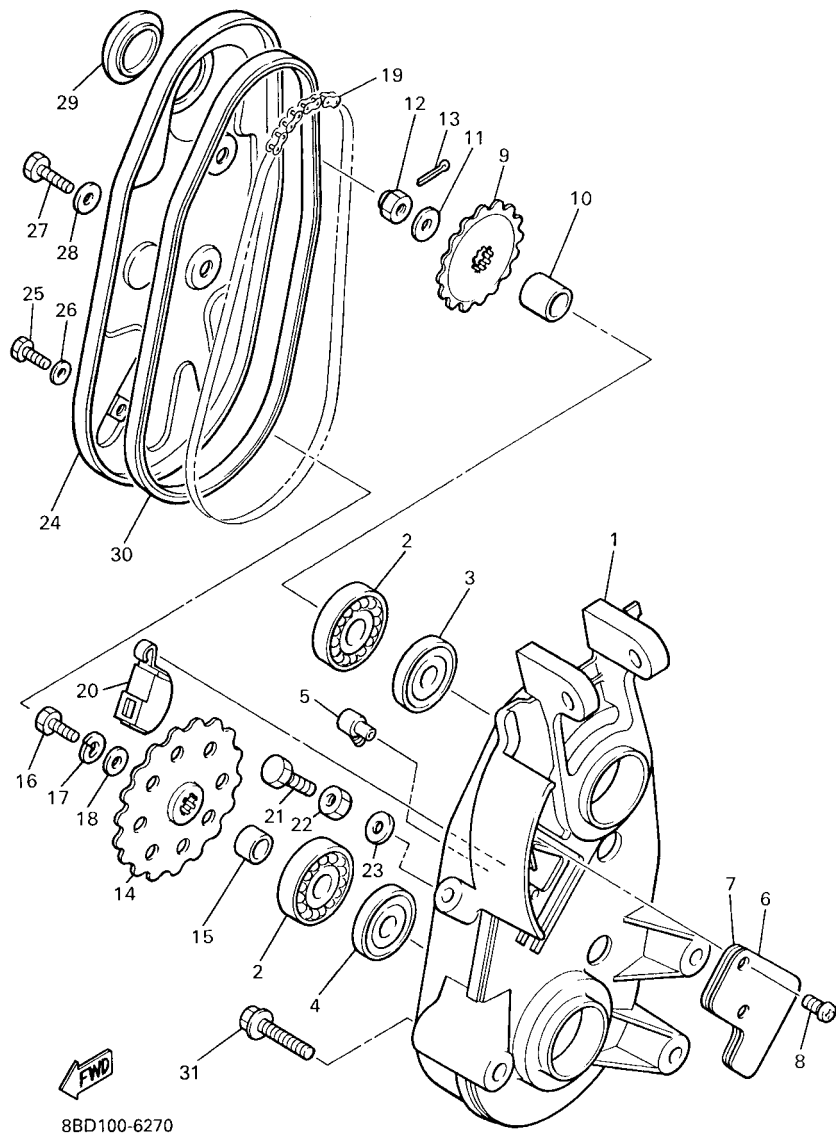
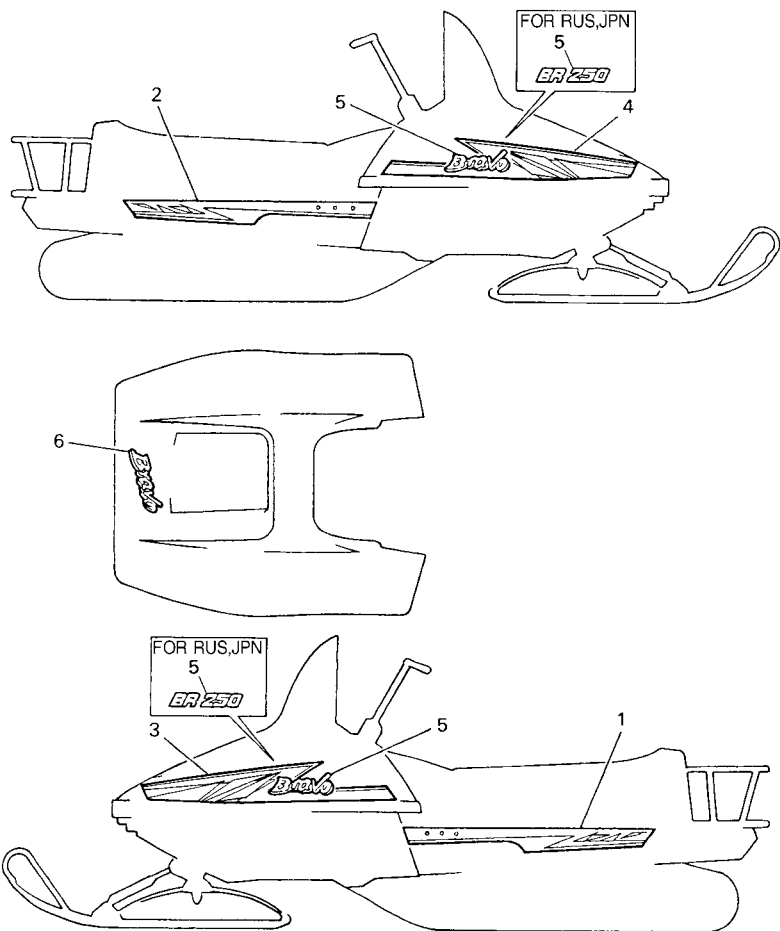


FIG. 29 TRACK DRIVE 2

REF. NO.	PART NO.	DESCRIPTION	CAN	RUS	JPN	REMARKS
21	90101-10357	BOLT	1	1	1	
22	95307-10700	NUT	1	1	1	
23	90210-10004	WASHER, SEAL	1	1	1	
24	8R4-47543-00	CAP, HOUSING	1	1	1	
25	97007-06010	BOLT	1	1	1	
26	90210-06006	WASHER, SEAL	1	1	1	
27	97007-08020	BOLT	2	2	2	
28	90210-08002	WASHER, SEAL	2	2	2	
29	8J5-22315-00	CAP	1	1	1	
30	8R4-47558-00	RING, HOUSING	1	1	1	
31	95827-08065	BOLT, FLANGE	3	3	3	
-----						
-----						
-----						
-----						
-----						
-----						
-----						

FIG. 30 EMBLEM



8BDH100-H300

REF. NO.	PART NO.	DESCRIPTION	CAN	RUS	JPN	REMARKS
1	8BD-77351-60	EMBLEM 1	1	1	1	
2	8BD-77352-60	EMBLEM 2	1	1	1	
3	8BD-77163-70	ORNAMENT 1	1	1	1	
4	8BD-77164-70	ORNAMENT 2	1	1	1	
5	8BD-77141-70	EMBLEM 1	2			
<hr style="border-top: 1px dashed black;"/>						
	8BC-77141-60	EMBLEM 1		2	2	
6	8BD-77141-70	EMBLEM 1	1			
<hr style="border-top: 1px dashed black;"/>						
<hr style="border-top: 1px dashed black;"/>						
<hr style="border-top: 1px dashed black;"/>						
<hr style="border-top: 1px dashed black;"/>						
<hr style="border-top: 1px dashed black;"/>						
<hr style="border-top: 1px dashed black;"/>						
<hr style="border-top: 1px dashed black;"/>						
<hr style="border-top: 1px dashed black;"/>						

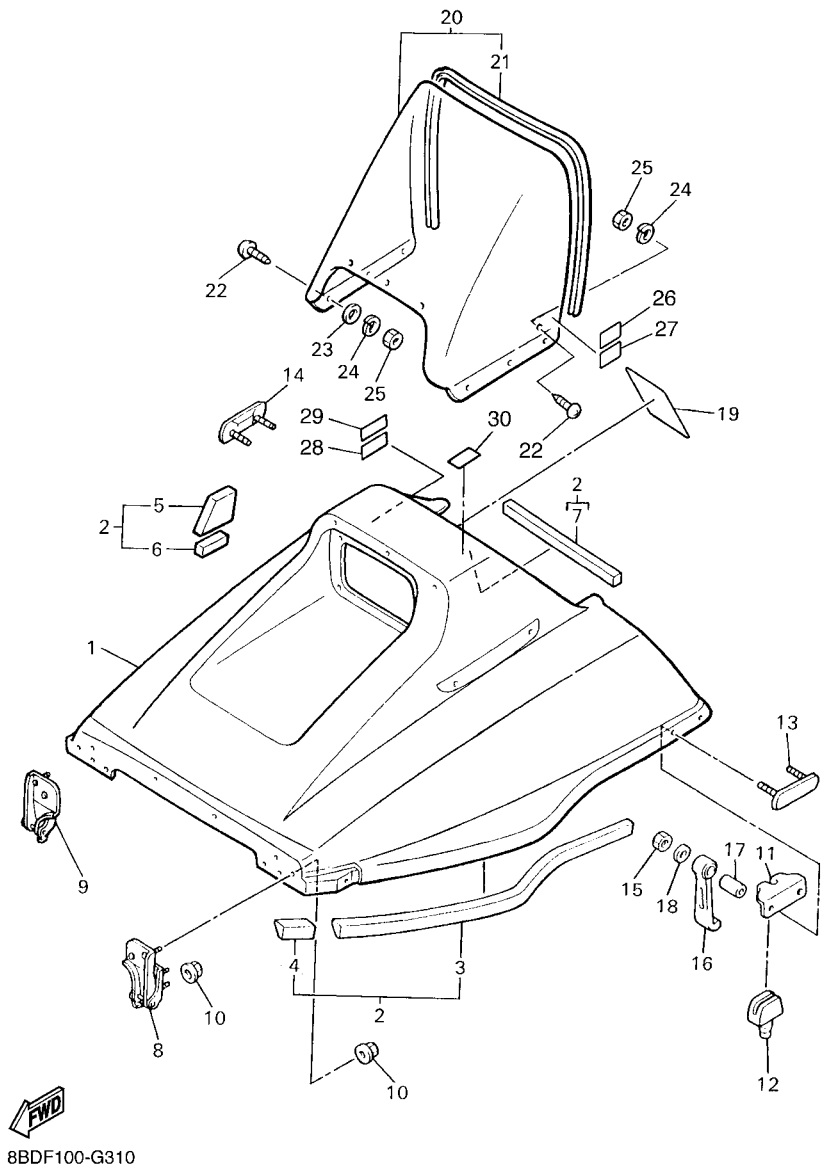
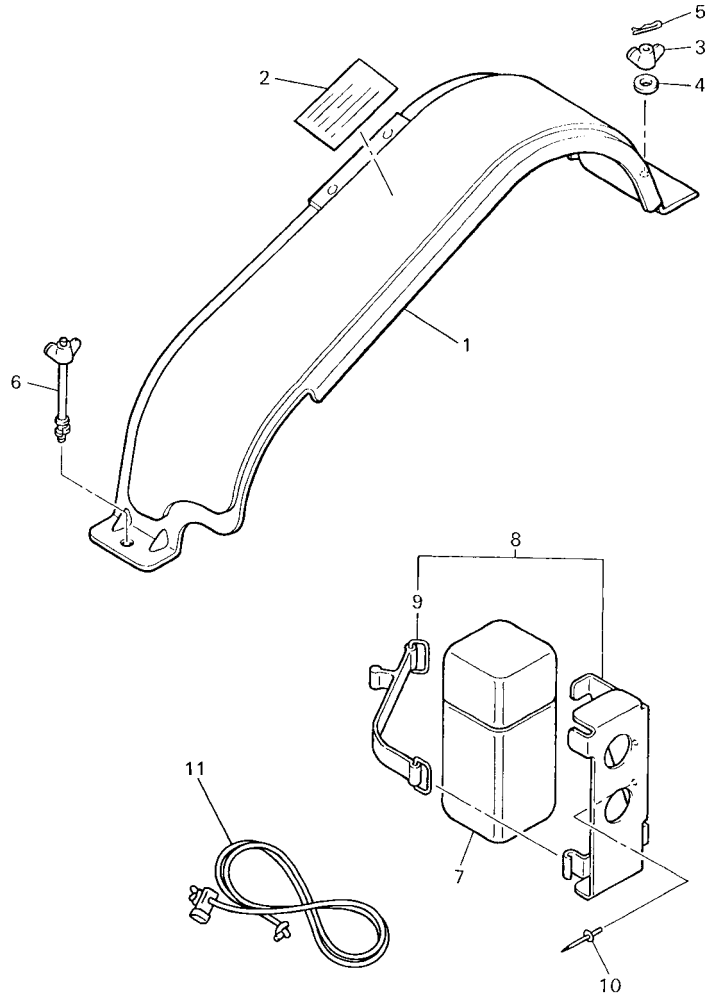


FIG. 31 SHROUD & WINDSHIELD

REF. NO.	PART NO.	DESCRIPTION	CAN	RUS	JPN	REMARKS
1	8BD-77111-30	SHROUD	1	1	1	
2	8BD-W7726-00	LINING SET	1	1	1	
3	8X8-21965-00	.PATCH 5	1	1	1	
4	80F-21966-00	.PATCH 6	1	1	1	
5	80F-77261-00	.LINING, SHROUD 1	1	1	1	
6	80F-77262-00	.LINING, SHROUD 2	1	1	1	
7	80F-77263-00	.LINING, SHROUD 3	1	1	1	
8	8R4-77140-00	HINGE ASSY	1	1	1	
9	8R4-7714A-00	HINGE ASSY 2	1	1	1	
10	95707-06500	NUT, FLANGE	8	8	8	
11	8R4-77136-00	CLAMP 2	2	2	2	
12	8R4-77188-00	STOPPER	2	2	2	
13	80F-77185-00	PLATE 1	1	1	1	
14	80F-77186-00	PLATE 2	1	1	1	
15	95607-06100	NUT, U	4	4	4	
16	8R4-77171-00	BODY, LATCH 1	2	2	2	
17	90387-06027	COLLAR	2	2	2	
18	90201-06380	WASHER, PLATE	2	2	2	
19	87S-77761-10	LABEL, WARNING 1	1			
	8BD-77761-R1	LABEL, WARNING 1		1		
	8BC-77761-00	LABEL, WARNING 1			1	
20	80J-77210-10	WINDSHIELD COMP.	1	1	1	
21	87T-77213-10	.TRIM, UPPER	1	1	1	
22	90164-05007	SCREW, TAPPING	10	10	10	
23	92907-05200	WASHER	9	9	9	
24	92907-05100	WASHER, SPRING	10	10	10	
25	95307-05600	NUT	10	10	10	

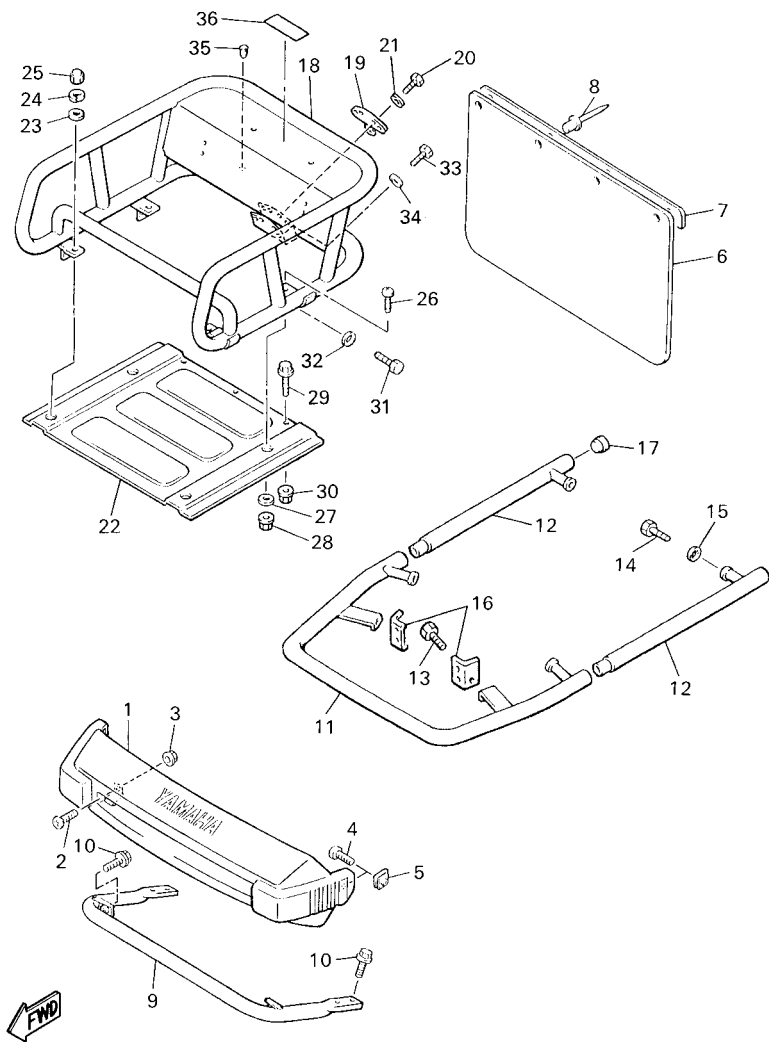




8BD7100-0300

**FIG. 32 GUARD & LUGGAGE BOX**

REF. NO.	PART NO.	DESCRIPTION	CAN	RUS	JPN	REMARKS
1	8R4-77311-00	GUARD, DRIVE	1	1	1	
2	8BD-77762-00	LABEL, WARNING 2	1			
	8AC-77762-R1	LABEL, WARNING 2		1		
	8BD-77762-21	LABEL, WARNING 2			1	
3	90175-08021	NUT, WING	1	1	1	
4	92907-08200	WASHER	1	1	1	
5	90468-16001	CLIP	1	1	1	
6	8V0-77387-00	SCREW	1	1	1	
7	85L-28100-00	TOOL KIT	1	1	1	
8	8AB-21945-00	BRACKET, TOOL BOX FITTING	1	1	1	
9	4J2-82131-01	.BAND, BATTERY	1	1	1	
10	90267-48060	RIVET,BLIND (4.8X12.9 BLACK)	2	2	2	
11	8R4-15780-00	EMERGENCY STARTER ROPE ASSY	1	1	1	



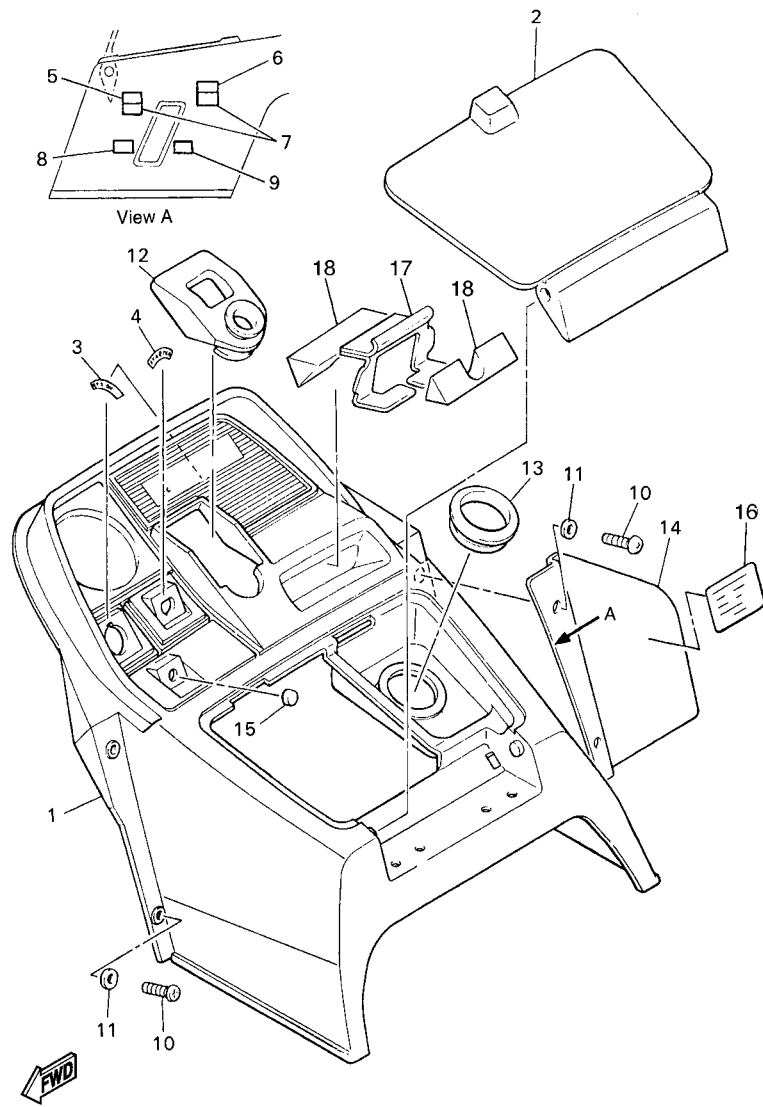
8BD100-7310

FIG. 33 BUMPER

REF. NO.	PART NO.	DESCRIPTION	CAN	RUS	JPN	REMARKS
1	81X-77511-00	BUMPER, FRONT 1	1	1	1	
2	98907-06016	SCREW, BIND	2	2	2	
3	95707-06500	NUT, FLANGE	2	2	2	
4	98907-05012	SCREW, BIND	2	2	2	
5	90183-05013	NUT, SPRING	2	2	2	
6	8R4-77595-01	FLAP	1	1	1	
7	80J-77596-00	STOPPER, FLAP	1	1	1	
8	90267-48086	RIVET, BLIND (4.8X19 BLACK)	4	4	4	
9	8R4-77513-00	BUMPER, FRONT 3	1	1	1	
10	95807-08016	BOLT, FLANGE	6	6	6	
11	8AF-77512-00	BUMPER, FRONT 2	1	1	1	
12	8AF-77513-00	BUMPER, FRONT 3	2	2	2	
13	95807-08016	BOLT, FLANGE	2	2	2	
14	97007-08016	BOLT	4	4	4	
15	92907-08600	WASHER, PLATE	4	4	4	
16	84A-77531-01	BRACKET, FRONT	2	2	2	
17	90338-18176	PLUG	2	2	2	
18	8Y1-77541-00	BUMPER, REAR 1	1	1	1	
19	84R-77592-00	BRACKET, HITCH 2	1	1	1	
20	97027-08020	BOLT, HEXAGON	4	4	4	
21	92907-08600	WASHER, PLATE	4	4	4	
22	8Y1-77554-00	PROTECTOR 4	1	1	1	
23	92907-08600	WASHER, PLATE	2	2	2	
24	92907-08100	WASHER, SPRING	2	2	2	
25	95307-08800	NUT	2	2	2	
26	98907-08020	SCREW, BIND	2	2	2	
27	90201-086A3	WASHER, PLATE	2	2	2	







8BDF100-G340

FIG. 34 INSTRUMENT PANEL

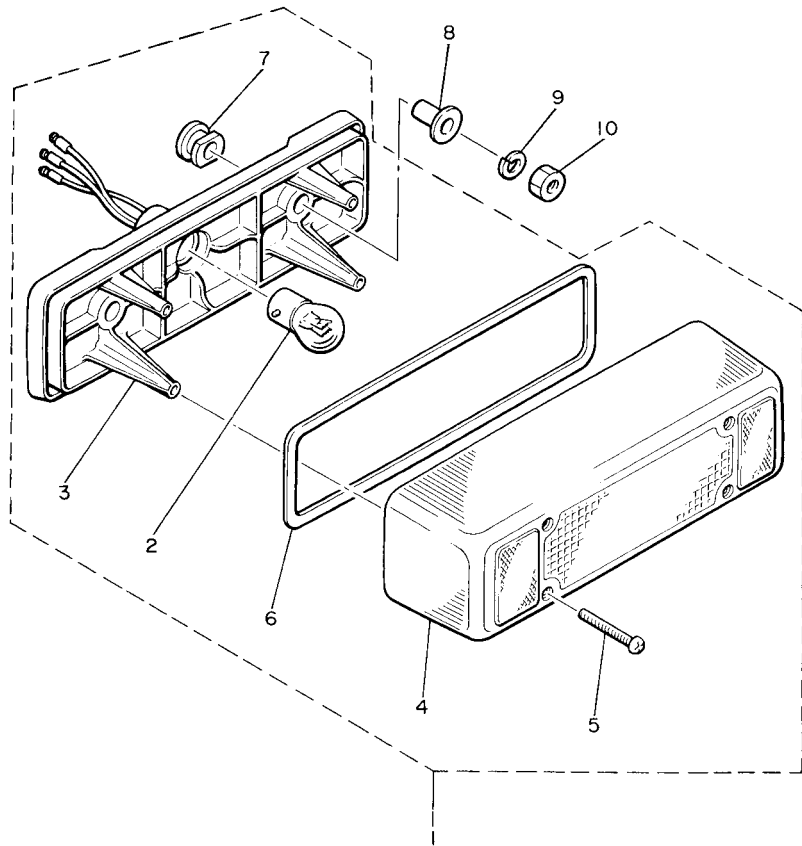
REF. NO.	PART NO.	DESCRIPTION	CAN	RUS	JPN	REMARKS
1	8Y1-77711-01	PANEL, INSTRUMENT	1	1		
	8BD-77711-10	PANEL, INSTRUMENT			1	
2	8R4-77712-00	PANEL, INSTRUMENT	1	1	1	
3	8K2-77741-01	INDICATOR 1	1	1	1	
4	8K4-77742-00	INDICATOR 2	1	1	1	
5	87A-77742-00	INDICATOR 2	1	1	1	
6	87A-77743-00	INDICATOR 3	1	1	1	
7	87A-77741-00	INDICATOR 1	2	2	2	
8	87A-77745-00	INDICATOR 5	1	1	1	
9	87A-77744-00	INDICATOR 4	1	1	1	
10	98507-05016	SCREW, PAN HEAD	4	4	4	
11	90201-05029	WASHER, PLATE	4	4	4	
12	8R4-77740-00	GROMMET, INSTRUMENT PANEL	1	1	1	
13	90480-53313	GROMMET	1	1	1	
14	8U0-77721-00	BRACKET 1	1	1	1	
15	90480-12012	GROMMET	1	1	1	
16	8BD-2815R-E0	LABEL, NOTICE 2	1	1	1	
17	80F-23881-00	BRACKET 1	1	1	1	
18	80F-23858-00	SPACER	2	2	2	







FIG. 38 TAILLIGHT



80E100-5330

REF. NO.	PART NO.	DESCRIPTION	CAN	RUS	JPN	REMARKS
1	8K4-84710-00	TAILLIGHT UNIT ASSY	1	1	1	
2	838-84714-01	.BULB (12V-23/8W)	1	1	1	
3	8K4-84711-00	.BASE, TAILLIGHT	1	1	1	
4	8K4-84721-00	.LENS, TAILLIGHT	1	1	1	
5	97701-40130	.SCREW, PANHEAD TAPPING	4	4	4	
6	87M-84723-00	.GASKET, TAIL LENS	1	1	1	
7	8K4-84718-00	.GROMMET	2	2	2	
8	90387-066N1	COLLAR	2	2	2	
9	92907-06100	WASHER, SPRING	2	2	2	
10	95307-06600	NUT	2	2	2	

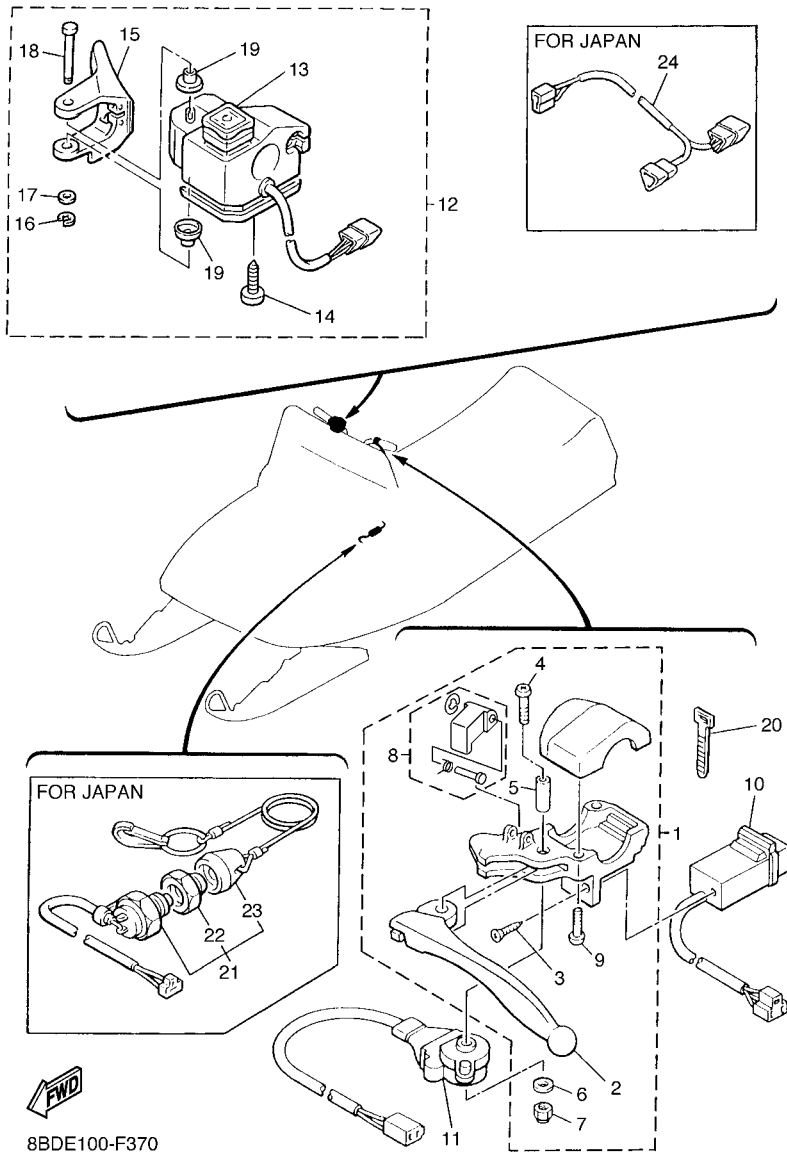
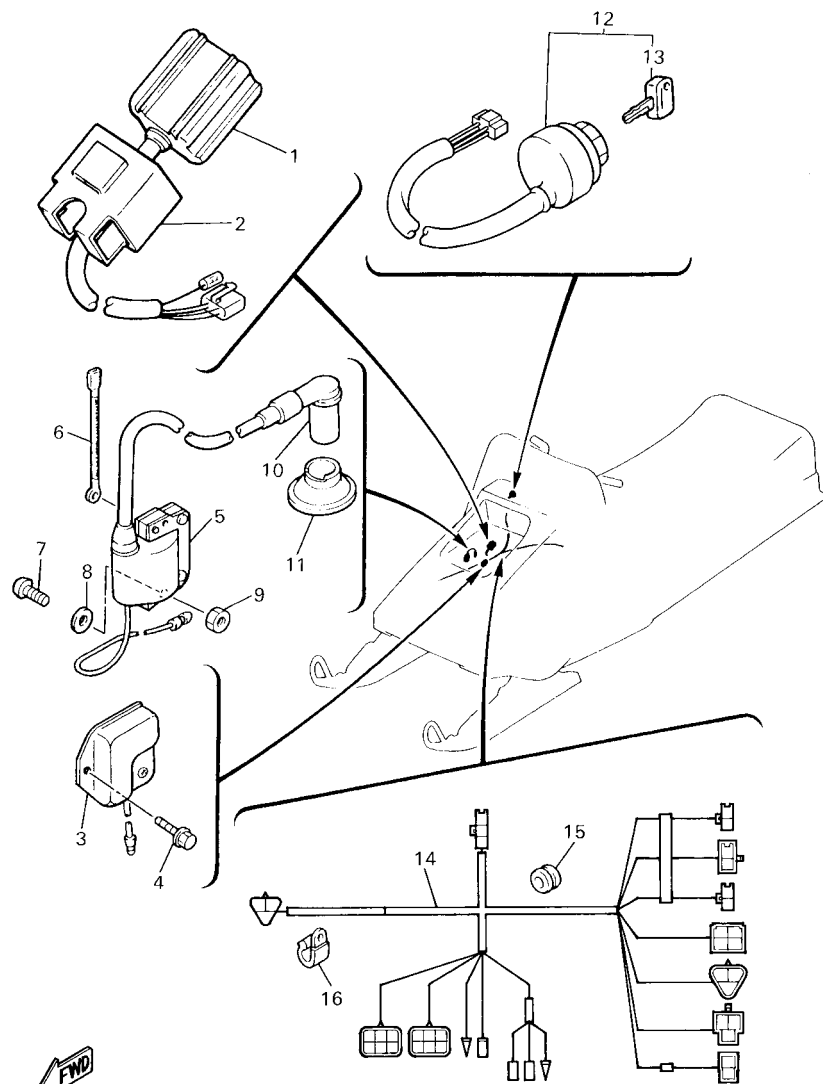


FIG. 39 HANDLE SWITCH & LEVER

REF. NO.	PART NO.	DESCRIPTION	CAN	RUS	JPN	REMARKS
1	8R4-W8291-02	LEVER HOLDER ASSY (LEFT)	1	1	1	
2	8H8-83912-00	.LEVER 1	1	1	1	
3	8R4-8252V-00	.SCREW, SPECIAL	1	1	1	
4	8R4-82113-00	.SCREW	1	1	1	
5	802-83913-00	.COLLAR, LEVER 1	1	1	1	
6	92902-05200	.WASHER	1	1	1	
7	95702-05300	.NUT, NYLON	1	1	1	
8	8K4-W8393-00	.LEVER LOCK ASSY	1	1	1	
9	90157-05027	.SCREW, PAN HEAD	2	2	2	
10	8H8-83950-01	BEAM SWITCH ASSY	1	1	1	
11	8R4-82530-00	STOP SWITCH ASSY	1	1	1	
12	8AD-82720-00	LEVER HOLDER ASSY (RIGHT)	1	1	1	
13	8AD-82575-09	.ENGINE STOP SWITCH ASSY	1	1	1	
14	8R6-83928-00	.SCREW	1	1	1	
15	8V0-42138-00	.LEVER, THROTTLE	1	1	1	
16	99001-04600	.CIRCLIP	1	1	1	
17	85G-83663-00	.WASHER, SPECIAL	1	1	1	
18	8R6-8399F-00	.SHAFT	1	1	1	
19	85G-83956-00	.CAP 1	2	2	2	
20	437-83936-01	BAND, SWITCH CORD	4	4	4	
21	8H8-82550-01	ENGINE STOP SWITCH ASSY			1	AP
22	8H8-82557-00	.NUT			1	AP
23	8H7-82552-01	.CAP, SWITCH			1	AP
24	89L-82318-00	WIRE, SUB-LEAD			1	AP

FIG. 40 ELECTRICAL 1



8BD100-5360

REF. NO.	PART NO.	DESCRIPTION	CAN	RUS	JPN	REMARKS
1	8AU-85540-00	C.D.I. UNIT ASSY	1	1	1	
2	2A7-85546-00	BAND	1	1	1	
3	82M-81910-A0	VOLTAGE REGULATOR ASSY	1	1	1	
4	95807-06012	BOLT, FLANGE	2	2	2	
5	86B-82310-10	IGNITION COIL ASSY	1	1	1	
6	83Y-82318-00	WIRE, SUB-LEAD	1	1	1	
7	97880-06040	SCREW, PAN HEAD	2	2	2	
8	92990-06600	WASHER, PLATE	2	2	2	
9	95307-06600	NUT	2	2	2	
10	8K1-82370-20	PLUG CAP ASSY (WITH RESISTOR)	1	1	1	
11	8G5-82372-00	SEAL, PLUG CAP	1	1	1	
12	8R4-82510-20	MAIN SWITCH ASSY	1	1	1	
13	526-82579-00	.CAP, KEY	1	1	1	
14	8BD-82590-00	WIRE HARNESS ASSY	1	1	1	
15	90480-16422	GROMMET	1	1	1	
16	90465-08028	CLAMP	2	2	2	





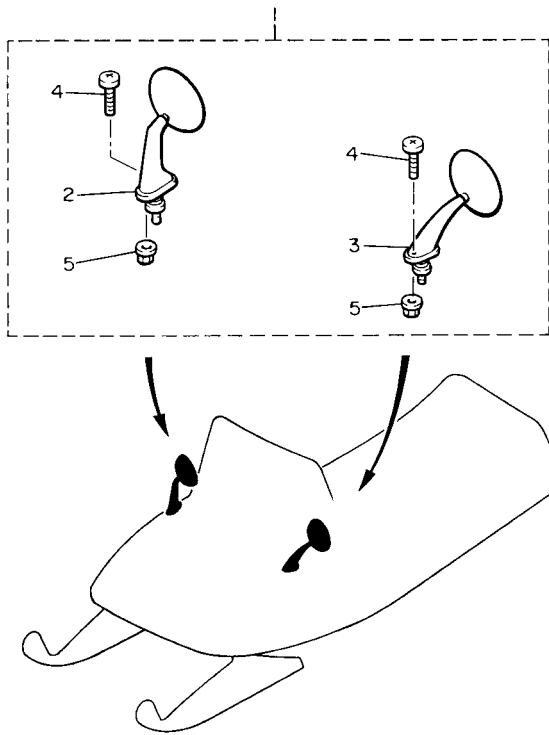


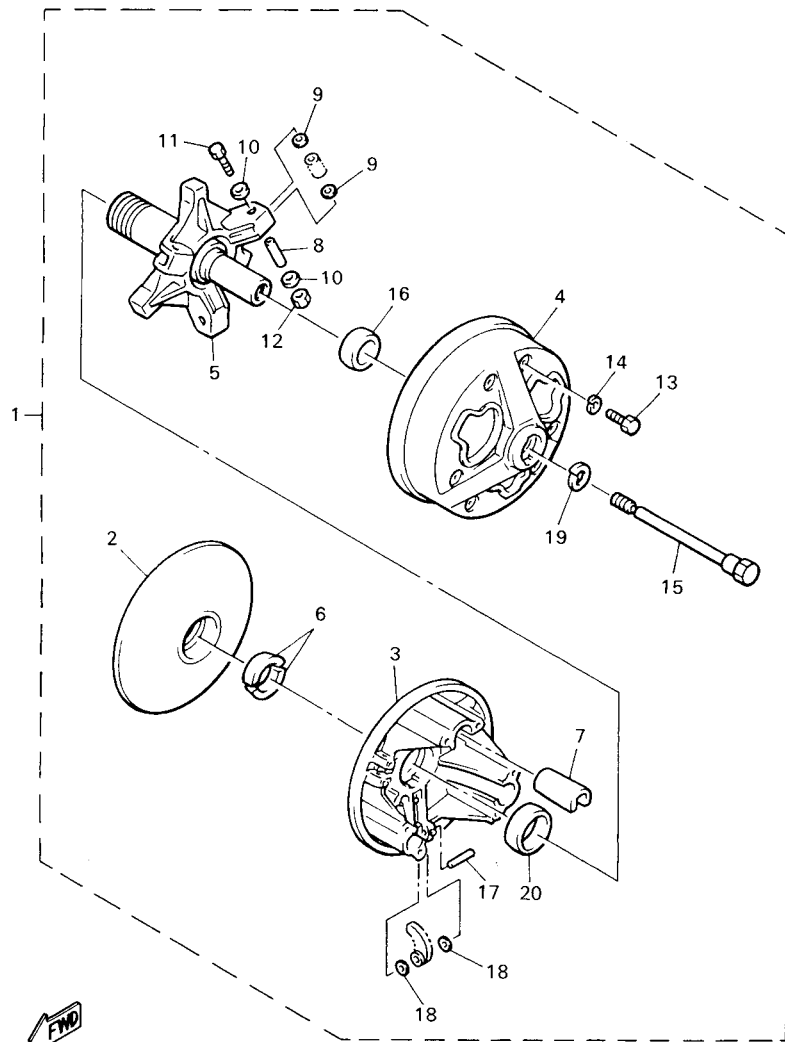
FIG. 42 ALTERNATE REAR VIEW MIRROR

REF. NO.	PART NO.	DESCRIPTION	CAN	RUS	JPN	REMARKS
1	8E1-W2628-00	REAR VIEW MIRROR SET	1	1	1	AP
2	8E1-26280-00	.REAR VIEW MIRROR ASSY (RIGHT)	1	1	1	
3	8E1-26290-00	.REAR VIEW MIRROR ASSY (LEFT)	1	1	1	
4	98507-04016	.SCREW, PAN HEAD	4	4	4	
5	95707-04500	.NUT, FLANGE	4	4	4	
-----						
-----						
-----						
-----						
-----						
-----						
-----						
-----						
-----						
-----						



88U100-1401



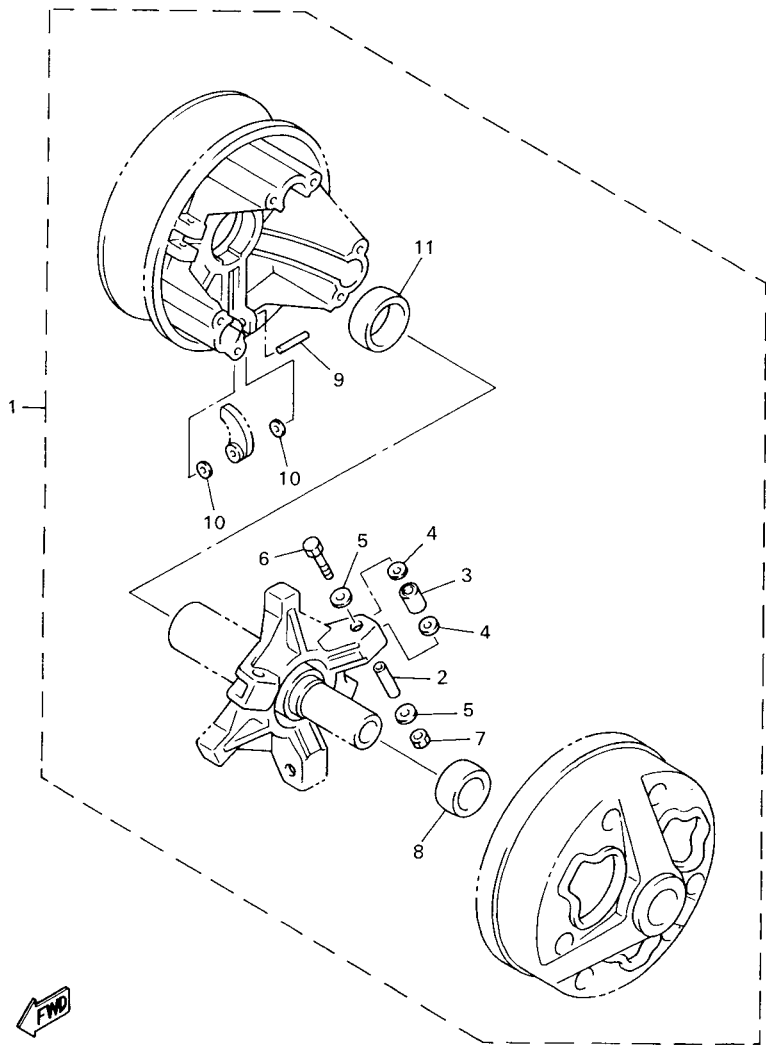


8BD8100-1420

FIG. 44 ALTERNATE REBUILD KIT

REF. NO.	PART NO.	DESCRIPTION	CAN	RUS	JPN	REMARKS
1	89X-17601-09	CLUTCH REPAIR KIT	1	1	1	AP
2	84J-17611-00	.SHEAVE, PRIMARY FIXED	1	1	1	
3	8V0-17621-01	.SHEAVE, PRIMARY SLIDING	1	1	1	
4	8V0-17631-00	.CAP	1	1	1	
5	8V0-17640-02	.SPIDER COMPLETE	1	1	1	
6	8V0-17639-00	.STOPPER	2	2	2	
7	88X-17653-00	.SLIDER	3	3	3	
8	90387-057W5	.COLLAR	3	3	3	
9	90202-08205	.WASHER, PLATE	6	6	6	
10	90201-050P9	.WASHER, PLATE	6	6	6	
11	97027-05035	.BOLT, HEXAGON	3	3	3	
12	95617-05100	.NUT, U	3	3	3	
13	97017-06030	.BOLT	6	6	6	
14	92907-06600	.WASHER, PLATE	6	6	6	
15	8V0-17647-00	.BOLT (L=156.5MM)	1	1	1	
16	90389-28032	.BUSH	1	1	1	
17	93607-44190	.PIN, DOWEL	3	3	3	
18	90201-077F5	.WASHER, PLATE	6	6	6	
19	92907-16100	.WASHER	1	1	1	
20	90389-40029	.BUSH	1	1	1	

FIG. 45 ALTERNATE CLUTCH TUNE UP KIT



8BD8100-1430

REF. NO.	PART NO.	DESCRIPTION	CAN	RUS	JPN	REMARKS
1	89D-00000-50	CLUTCH TUNE-UP KIT (T)	1	1	1	AP
2	90387-057W5	.COLLAR	3	3	3	
3	90387-087W7	.COLLAR	3	3	3	
4	90202-08205	.WASHER, PLATE	6	6	6	
5	90201-050P9	.WASHER, PLATE	6	6	6	
6	97022-05035	.BOLT	3	3	3	
7	95612-05100	.NUT, U	3	3	3	
8	90389-28032	.BUSH	1	1	1	
9	93607-44190	.PIN, DOWEL	3	3	3	
10	90201-077F5	.WASHER, PLATE	6	6	6	
11	90389-40029	.BUSH	1	1	1	

NUMERICAL INDEX

PART NO.	REF. NO.	PART NO.	REF. NO.	PART NO.	REF. NO.	PART NO.	REF. NO.	PART NO.	REF. NO.	PART NO.	REF. NO.
89D-00000-50	45 - 1	8R4-14453-00	6 - 4	8V0-17639-00	11 - 5	8V7-2198G-00	15 - 18	8R4-24186-00	20 - 25	80F-26331-00	25 - 5
J38-11116-00	9 - 2	8A6-14515-98	7 - 27		44 - 6	80F-21998-00	15 - 7	8BD-24211-01	22 - 1	8G8-26333-00	25 - 6
8R4-11311-02	1 - 2	8A6-14516-00	7 - 27	8V0-17640-02	11 - 4	8Y1-21998-00	17 - 26	8BD-24211-10	21 - 1	8R4-26340-00	25 - 3
8R4-11351-04	1 - 3	8A6-14516-02	7 - 27		44 - 5	80F-2199H-00	15 - 20	8BD-24312-00	21 - 6	8J5-26352-00	6 - 19
8R4-11400-00	2 - 6	8A6-14516-05	7 - 27	89X-17641-01	11 - 24	8J5-22315-00	29 - 29	8BD-24313-00	21 - 15	85L-28100-00	32 - 7
8R4-11412-00	2 - 7	8G6-14521-00	7 - 14	8V0-17647-00	11 - 15	8J6-23350-00	16 - 32	8F3-24327-00	19 - 17	4B5-2815K-00	31 - 26
8R4-11422-00	2 - 8	8E7-14546-00	7 - 10		44 - 15	8BD-23710-00	16 - 1		20 - 24	4B5-2815K-10	31 - 27
8R4-11610-00	2 - 2	8E7-14546-01	7 - 10	88X-17653-00	11 - 6	8E3-23731-01	16 - 2	8X8-24360-01	6 - 23	4B5-2815K-20	31 - 27
8R4-11610-10	2 - 2	676-14548-00	7 - 12		44 - 7	888-23735-00	16 - 6	801-24376-00	19 - 12	8AC-2815P-E0	15 - 14
8R4-11610-20	2 - 2	80F-14610-10	8 - 5	8R4-17660-00	12 - 1	8BD-23760-00	16 - 11		20 - 19	8AC-2815P-J0	15 - 14
8R4-11631-00-96	2 - 1	8R4-14612-01	8 - 2	8R4-17670-01	12 - 2	8BD-23761-00	16 - 12	8H8-24376-00	14 - 5	8AC-2815P-S0	15 - 14
818-11633-00	2 - 3	8R4-14613-01	8 - 1	8R4-17681-01	12 - 4		16 - 21	815-24379-00	6 - 28	8BD-2815R-E0	34 - 16
8R4-11635-00	2 - 1	888-14633-00	8 - 4	812-17682-00	29 - 9		16 - 13	8A5-24410-02	6 - 20	8V0-42138-00	39 - 15
8R4-11636-00	2 - 1	8G6-14948-18	7 - 26	812-17682-10	29 - 9	8G6-23766-00	16 - 22	8BD-24500-00	21 - 13	8BD-47110-00	26 - 1
8R4-11651-00	2 - 12	8A6-14969-00	7 - 6	812-17682-20	29 - 9	8BD-23767-00	16 - 15		22 - 22	87M-47320-00	26 - 4
8F3-11681-00	2 - 9	8A6-14977-00	7 - 8	812-17682-30	29 - 9		16 - 24	22F-24514-01	19 - 4		26 - 27
8G8-12611-01	3 - 10	8G6-14984-00	7 - 13	812-17682-40	29 - 9	878-23768-00	16 - 14		20 - 14	8H8-47320-00	26 - 20
8R4-12651-03	3 - 1	8G6-14985-01	7 - 9	8R4-17684-00	12 - 5		16 - 23		21 - 4	89D-47331-00	27 - 19
8R4-12652-02	3 - 2	8M7-14992-00	7 - 19	8R4-17688-00	12 - 3	8BD-2376B-00	16 - 18		22 - 14	8A5-47332-00	27 - 46
81E-13101-01	4 - 1	371-14993-60	7 - 4	8R4-21411-00	13 - 1		16 - 27	8BD-24544-00	21 - 18	8E3-47384-00	26 - 11
8Y0-13116-01	4 - 17	8R4-14994-00	7 - 18	86A-21419-00	13 - 11	8BD-23770-00	16 - 20		22 - 27	80E-47411-00	27 - 1
137-13137-00-03	4 - 11	8R4-15100-01	9 - 1	8R4-21485-00	13 - 2	8BD-23787-00	16 - 19	8BD-24610-10	19 - 2	8E3-47412-00	27 - 36
137-13137-00-05	4 - 11	8R4-15416-00	5 - 1	8F3-21486-00	13 - 9		16 - 28		21 - 2	8E3-47413-00	27 - 37
137-13137-00-10	4 - 11	8R4-15426-00	5 - 2		13 - 12	86A-23811-90	17 - 1	8A5-24611-00	20 - 2	899-47415-00	27 - 8
137-13138-01	4 - 10	8R4-15710-01	10 - 1	8V7-21486-00	13 - 5	8F3-23812-00	17 - 9		22 - 2	85A-47416-00	27 - 16
8A5-13146-01	4 - 14	8R4-15711-00	10 - 2	8R4-21488-01	13 - 6	8R4-23813-00	17 - 2	813-24613-01	20 - 3	8A5-47417-00	27 - 47
137-13148-00	5 - 9	8F3-15713-01	10 - 5	8BD-2173T-00	14 - 11	8G5-23814-00	17 - 3		22 - 3	85A-47419-00	27 - 17
8R4-13175-00	5 - 7	8F3-15714-01	10 - 3	8R4-21751-00	14 - 1	8K1-23814-00	17 - 4	83M-24628-00	20 - 8	8X0-47421-00	27 - 2
821-13176-00	5 - 6	8F3-15715-00	10 - 6	863-21771-00	14 - 2	8F3-23818-00	17 - 6		22 - 8	8E3-47422-00	27 - 44
8R4-13178-00	2 - 15	8G5-15716-00	10 - 14	8V7-21776-00	14 - 13	8R4-23821-00	17 - 12	89A-24641-00	20 - 4	8G8-47422-00	27 - 20
8R4-13188-00	5 - 8	8F3-15716-03	10 - 9	8F3-21794-00	18 - 4	86X-23841-00	17 - 13		22 - 4	8A5-47425-00	27 - 54
353-13552-01	4 - 6	81L-15723-00	10 - 25	8V7-21871-00	14 - 12	86X-23845-00	17 - 14	8BD-24641-10	19 - 3	8A5-47426-00	27 - 55
8R4-13555-00	6 - 1	8F3-15734-00	10 - 8	8BD-21910-00	15 - 1	88P-23851-00	17 - 19		21 - 3	890-47447-00	27 - 61
80F-14101-03	7 - 1	8G5-15739-00	10 - 15	8AB-21945-00	32 - 8	8Y1-23853-00	17 - 22	8BD-2470F-01	23 - 2	8T9-47451-00	26 - 2
80J-14101-03	7 - 1	8F3-15739-01	10 - 7	8V7-21961-00	15 - 21	8Y1-23854-00	17 - 23	8BD-24710-01	23 - 1		26 - 25
80F-14121-00	7 - 3	8F3-15741-01	10 - 4	8V7-21962-00	15 - 22	80F-23858-00	34 - 18	4KN-24877-C0	33 - 36	8V5-47451-00	26 - 17
80F-14131-00	7 - 2	8F3-15751-00	10 - 13	8V7-21963-00	15 - 23	84M-23868-00	17 - 8	8FM-24897-01	33 - 36	888-47456-01	27 - 4
80F-14133-00	7 - 23	8R4-15755-00	10 - 16	82X-21964-00	15 - 24	8BD-23871-01	18 - 1	8FM-24897-11	33 - 36	8L1-47457-01	27 - 57
80F-14137-01	7 - 25	8F3-15758-00	10 - 12	8X8-21965-00	31 - 3	8Y4-23872-00	17 - 7	8R4-25711-00	24 - 1	885-47458-01	27 - 5
80F-14146-00	7 - 22	8R4-15780-00	32 - 11	80F-21966-00	31 - 4	80F-23881-00	34 - 17	8BC-25730-00	24 - 3	8L1-47461-00	26 - 19
663-14159-00	7 - 11	8R4-15788-01	10 - 17	80F-21967-00	15 - 25	8R4-23891-00	15 - 16	8BC-25740-00	24 - 4	8T9-47463-00	27 - 58
8E7-14161-00	7 - 7	84E-21982-00	44 - 1	84A-21982-00	15 - 2	8AE-23892-00	18 - 5	8J7-25848-00	24 - 2	8T9-47464-00	27 - 59
8AE-1417E-00	31 - 29	84J-17611-00	11 - 1	84A-21983-00	15 - 3	8AC-23894-00	17 - 10	8DX-26240-00	43 - 5	8A5-47465-02	27 - 24
8BD-14294-00	6 - 29		44 - 2	80F-21988-00	15 - 26	8R4-24111-02	20 - 1	801-26241-01	25 - 4	80E-47471-01	27 - 31
8BD-14298-00	6 - 9	8V0-17621-01	11 - 2	80F-21989-00	15 - 27	8R4-24111-10	19 - 1	8E1-26280-00	42 - 2	80E-47472-01	27 - 32
8A5-14423-00	18 - 10		44 - 3	8V7-2198F-00	15 - 12	8BD-24141-00	21 - 5	8E1-26290-00	42 - 3	8A5-47475-02	27 - 52
8R4-14431-00	6 - 12	8V0-17631-00	11 - 3	80F-2198G-00	15 - 5	8BD-24179-00	19 - 11	83Y-26311-01	25 - 1	8E7-47480-00	27 - 33
8R4-14441-01	6 - 13		44 - 4	8U0-2198G-00	17 - 25	8R4-24186-00	19 - 18	81E-26320-00	4 - 16	8A5-47485-02	27 - 26

NUMERICAL INDEX

PART NO.	REF. NO.	PART NO.	REF. NO.	PART NO.	REF. NO.	PART NO.	REF. NO.	PART NO.	REF. NO.	PART NO.	REF. NO.
888-47495-02	27 - 12	8AF-77512-00	33 - 11	87S-8259A-01	7 - 24	8K4-W8393-00	39 - 8	90201-05029	34 - 11	90267-48060	32 - 10
8E3-47521-00	26 - 9	8AF-77513-00	33 - 12	8AD-82720-00	39 - 12	90101-06348	26 - 3	90201-050P9	11 - 10	90267-48086	33 - 8
8L4-47530-00	26 - 12	8R4-77513-00	33 - 9	8BE-82917-00	43 - 8		26 - 26		44 - 10	90267-48095	21 - 19
8E3-47531-00	28 - 3	84A-77531-01	33 - 16	8AU-82970-02	43 - 2		27 - 18		45 - 5		22 - 28
8R4-47541-00	29 - 1	8Y1-77541-00	33 - 18	80V-83510-20	36 - 1		27 - 60	90201-06043	35 - 13	90280-05013	2 - 18
8R4-47543-00	29 - 24	8Y1-77554-00	33 - 22	4R0-83517-00	36 - 3	90101-06534	24 - 12	90201-06071	23 - 4	90282-05047	12 - 11
8BC-47548-10	29 - 14	84R-77592-00	33 - 19	8G6-83523-00	36 - 4	90101-08005	17 - 11	90201-06380	31 - 18	90338-09127	15 - 17
8BC-47548-20	29 - 14	8R4-77595-01	33 - 6	8V7-83536-40	36 - 2	90101-08374	27 - 40	90201-06727	6 - 22	90338-10132	14 - 14
8BC-47548-30	29 - 14	80J-77596-00	33 - 7	8Y8-83550-00	36 - 7	90101-10314	27 - 67	90201-06747	27 - 14	90338-18176	33 - 17
8BC-47548-40	29 - 14	8Y1-77711-01	34 - 1	85G-83663-00	39 - 17	90101-10357	29 - 21	90201-077F5	11 - 18	90338-21075	4 - 2
8F3-47551-00	28 - 5	8BD-77711-10	34 - 1	8H8-83912-00	39 - 2	90102-08027	16 - 8		44 - 18	90338-40099	15 - 8
8R4-47558-00	29 - 30	8R4-77712-00	34 - 2	802-83913-00	39 - 5	90102-08028	16 - 7		45 - 10	90386-07152	11 - 22
8K4-47577-00	28 - 2	8U0-77721-00	34 - 14	8R6-83928-00	39 - 14	90102-12030	16 - 29	90201-08093	27 - 10	90387-057W5	11 - 7
8AF-47578-00	31 - 28	8R4-77740-00	34 - 12	437-83936-01	39 - 20	90105-06556	3 - 11		27 - 50		44 - 8
89B-47586-00	29 - 5	87A-77741-00	34 - 7	8H8-83950-01	39 - 10	90105-08688	18 - 3	90201-083A8	26 - 15		45 - 2
8R4-47591-00	29 - 6	8K2-77741-01	34 - 3	85G-83956-00	39 - 19		19 - 15	90201-08624	5 - 11	90387-06027	31 - 17
86A-47592-00	29 - 7	87A-77742-00	34 - 5	8R6-8399F-00	39 - 18		20 - 22	90201-08681	26 - 7	90387-06299	35 - 11
8F3-47611-02	29 - 20	8K4-77742-00	34 - 4	8G9-84310-00	37 - 1	90109-08559	26 - 8		26 - 30	90387-062N2	5 - 4
8R4-47631-00	12 - 13	87A-77743-00	34 - 6	8A7-84312-00	37 - 4		26 - 31	90201-086A3	29 - 18	90387-066K1	3 - 12
8Y1-47700-00	36 - 8	87A-77744-00	34 - 9	8V0-84314-10	37 - 2	90109-10771	27 - 25		33 - 27	90387-066N1	38 - 8
8K4-47715-00	36 - 9	87A-77745-00	34 - 8	8A7-84320-00	37 - 3		27 - 53	90201-08784	21 - 11	90387-08224	16 - 35
8BD-77111-30	31 - 1	8BC-77761-00	31 - 19	8A5-84331-00	37 - 6	90119-05071	6 - 18		22 - 20	90387-08262	16 - 33
8R4-77118-00	10 - 24	87S-77761-10	31 - 19	8A5-84332-00	37 - 7	90119-06097	27 - 45	90201-10149	27 - 27	90387-082N1	5 - 3
8R4-77136-00	31 - 11	8BD-77761-R1	31 - 19	8AD-84359-00	37 - 12	90119-06108	3 - 9	90201-10321	13 - 4	90387-08496	27 - 39
8R4-77140-00	31 - 8	8BD-77762-00	32 - 2	8T7-84366-00	37 - 9	90119-08008	26 - 18	90201-122H1	12 - 9	90387-08497	27 - 42
8BC-77141-60	30 - 5	8BD-77762-21	32 - 2	807-84374-00	37 - 8		27 - 38	90201-12749	27 - 63	90387-08508	27 - 48
8BD-77141-70	30 - 5	8AC-77762-R1	32 - 2	8A7-84397-01	37 - 5	90151-06010	27 - 3	90202-08205	11 - 9	90387-087W7	11 - 8
	30 - 6	8M7-77767-01	31 - 30	8K4-84710-00	38 - 1	90154-06035	35 - 12		44 - 9		45 - 3
8R4-7714A-00	31 - 9	82H-81313-M0	35 - 5	8K4-84711-00	38 - 3	90157-05027	39 - 9		45 - 4	90387-106L3	27 - 28
8BD-77163-70	30 - 3	81L-81314-M0	35 - 4	838-84714-01	38 - 2	90159-05129	35 - 7	90206-11016	5 - 10	90387-197E9	29 - 10
8BD-77164-70	30 - 4	82M-81910-A0	40 - 3	8K4-84718-00	38 - 7	90159-05130	35 - 8	90206-20037	17 - 20	90387-200F1	29 - 15
8R4-77171-00	31 - 16	8R4-82113-00	39 - 4	8K4-84721-00	38 - 4	90164-05007	31 - 22	90208-12015	29 - 11	90387-206L2	27 - 29
8M6-77175-00	15 - 10	4J2-82131-01	32 - 9	87M-84723-00	38 - 6	90170-10186	17 - 16	90208-20008	28 - 7	90387-260W3	12 - 8
80F-77185-00	31 - 13	86B-82310-10	40 - 5	86R-85110-00	41 - 1	90170-16425	2 - 19	90209-24183	2 - 10	90389-28032	11 - 16
80F-77186-00	31 - 14	83Y-82318-00	40 - 6	80F-85115-00	41 - 2	90170-20211	28 - 8	90210-06006	29 - 26		44 - 16
8R4-77188-00	31 - 12	89L-82318-00	39 - 24	81G-85130-00	41 - 4	90175-08021	32 - 3	90210-08002	29 - 28		45 - 8
8V7-77198-01	15 - 13	8BD-82318-00	43 - 7	81L-85520-M0	35 - 3	90176-06038	10 - 23	90210-10004	29 - 23	90389-40029	11 - 20
80J-77210-10	31 - 20	8K1-82370-20	40 - 10	8AU-85540-00	40 - 1	90179-10279	13 - 10	90215-10155	16 - 16		44 - 20
87T-77213-10	31 - 21	8G5-82372-00	40 - 11	2A7-85546-00	40 - 2		27 - 68		16 - 25		45 - 11
80F-77261-00	31 - 5	8R4-82510-20	40 - 12	85L-85550-02	35 - 1	90179-12657	29 - 12	90240-08068	24 - 9	90430-04004	4 - 8
80F-77262-00	31 - 6	8R4-8252V-00	39 - 3	8BD-85560-00	35 - 2	90183-05013	33 - 5	90240-12115	27 - 34	90430-31003	14 - 3
80F-77263-00	31 - 7	8R4-82530-00	39 - 11	8R4-85580-M0	35 - 6	90185-08055	16 - 4	90249-03017	20 - 11	90445-08031	6 - 24
8R4-77311-00	32 - 1	8H8-82550-01	39 - 21	8V8-W176A-00	11 - 21	90185-10085	16 - 17		22 - 11	90445-08032	6 - 25
8BD-77338-00	15 - 32	8H7-82552-01	39 - 23	8E1-W2628-00	42 - 1		16 - 26	90249-06009	24 - 8	90445-083K9	6 - 24
8BD-77351-60	30 - 1	8H8-82557-00	39 - 22	85A-W4751-00	28 - 1		17 - 17	90249-06012	24 - 7	90445-084K0	6 - 25
8BD-77352-60	30 - 2	8AD-82575-09	39 - 13	8BD-W7726-00	31 - 2	90185-12061	12 - 10	90249-12113	27 - 62	90445-09029	19 - 8
8V0-77387-00	32 - 6	526-82579-00	40 - 13	8R4-W8291-02	39 - 1	90201-03313	20 - 13	90267-48014	43 - 6	90445-09030	19 - 13
81X-77511-00	33 - 1	8BD-82590-00	40 - 14	8BD-W8293-02	43 - 1		22 - 13	90267-48060	15 - 4	90445-09031	19 - 9

NUMERICAL INDEX

PART NO.	REF. NO.	PART NO.	REF. NO.	PART NO.	REF. NO.	PART NO.	REF. NO.	PART NO.	REF. NO.	PART NO.	REF. NO.
90445-09032	21 - 8	90467-11032	6 - 11	91808-22019	5 - 18	93102-20010	29 - 4	95702-05300	39 - 7	95827-08260	27 - 9
90445-095K5	22 - 17		6 - 31	91A20-05045	14 - 16	93102-25081	29 - 3	95707-04500	42 - 5	95827-10080	27 - 30
90445-097J9	20 - 20	90468-02025	4 - 7	91A20-05090	20 - 18	93102-25183	2 - 17	95707-05300	3 - 8	97007-05035	27 - 6
90445-11046	6 - 7		4 - 20	91A20-05140	19 - 7	93102-30326	2 - 14		6 - 16	97007-06010	29 - 25
90445-11051	19 - 5		6 - 27		20 - 17	93104-29072	5 - 14		27 - 7	97007-06020	27 - 21
90445-111H4	22 - 24	90468-02078	19 - 10	91A30-05024	14 - 6	93210-19309	7 - 20	95707-05500	41 - 3	97007-06025	10 - 19
90445-113K5	20 - 15	90468-05176	37 - 11	91A30-05045	14 - 4	93306-00416	28 - 6	95707-06300	23 - 3	97007-06035	27 - 13
90445-113K6	22 - 15	90468-16001	32 - 5	92901-06100	10 - 10	93306-00444	26 - 5		27 - 15	97007-08016	33 - 14
90445-114J7	6 - 29	90480-12012	34 - 15	92902-04100	7 - 17		26 - 21	95707-06500	6 - 21	97007-08020	29 - 27
90445-114J9	22 - 24	90480-16422	40 - 15	92902-05200	39 - 6		26 - 28		15 - 15	97007-08055	16 - 34
90445-115K4	6 - 7	90480-40047	15 - 9	92907-05100	3 - 6	93306-20469	26 - 13		31 - 10	97007-08070	16 - 36
90445-116G8	6 - 9	90480-53313	34 - 13		4 - 12	93306-20582	12 - 12		33 - 3	97017-06030	11 - 13
90446-08201	4 - 5	90501-02217	4 - 4		4 - 19	93306-30407	29 - 2	95707-08300	16 - 9		44 - 13
90446-09003	14 - 9	90501-08214	7 - 15		31 - 24	93306-30555	2 - 16		16 - 37	97022-05035	45 - 6
90460-50079	28 - 4	90501-083J8	14 - 10		36 - 6	93306-30623	2 - 13		21 - 12	97027-05035	11 - 11
90460-51059	6 - 3	90501-08443	7 - 5	92907-05200	31 - 23	93310-218A6	2 - 5		22 - 21		44 - 11
90460-64066	6 - 2	90501-20130	20 - 5	92907-05600	3 - 4	93310-424E8	2 - 11		27 - 41	97027-08016	12 - 14
90461-06080	9 - 5		22 - 5		3 - 7	93430-02001	20 - 12		27 - 51		33 - 31
90464-16039	6 - 32	90501-554E8	11 - 23		6 - 15		22 - 12		33 - 28	97027-08020	21 - 17
	14 - 15	90506-06083	18 - 11	92907-06100	5 - 16	93440-25100	12 - 6		33 - 30		22 - 26
90464-48226	33 - 35	90506-06261	6 - 5		10 - 20	93450-20026	2 - 4	95707-08500	13 - 7		33 - 20
90465-08028	15 - 6	90506-06262	6 - 6		38 - 9	93505-32002	4 - 3	95707-10300	17 - 21		33 - 33
	18 - 9	90506-16494	8 - 7	92907-06200	18 - 8	93603-22028	5 - 13	95707-10500	13 - 14	97027-08025	29 - 16
	37 - 10	90506-20074	8 - 6	92907-06600	5 - 17	93607-44190	11 - 17	95807-06008	21 - 14	97027-08045	27 - 49
	40 - 16	90508-08353	20 - 10		10 - 21		44 - 17		22 - 23	97027-08250	27 - 43
90465-08333	6 - 33		22 - 10		11 - 14		45 - 9	95807-06012	15 - 19	97602-04108	35 - 10
90465-10189	25 - 2	90508-10715	20 - 9		18 - 7	94580-01044	29 - 19		40 - 4	97602-04112	35 - 9
90465-10313	3 - 13		22 - 9		27 - 23	94702-00195	1 - 1	95807-08012	10 - 26	97701-40130	38 - 5
90467-07055	6 - 26	90508-29601	24 - 5		44 - 14	94709-00195	1 - 1	95807-08016	10 - 18	97706-30620	43 - 3
90467-08017	14 - 8	90508-29602	24 - 6	92907-08100	15 - 30	95301-06700	10 - 11		33 - 10	97707-30630	43 - 4
	19 - 14	90508-40080	12 - 7		33 - 24	95307-05600	4 - 13		33 - 13	97707-60510	6 - 17
	20 - 21	90508-99331	27 - 65	92907-08200	13 - 8		31 - 25	95807-10014	13 - 3	97880-06040	40 - 7
	21 - 9	90508-99332	27 - 66		32 - 4		36 - 5	95807-10020	13 - 13	98502-04040	7 - 16
	22 - 18	90508-99649	27 - 65	92907-08600	12 - 15	95307-06600	10 - 22	95827-06012	18 - 2	98507-04016	42 - 4
90467-09026	14 - 7	90508-99650	27 - 66		15 - 29		38 - 10	95827-06025	5 - 20	98507-04018	4 - 15
	19 - 16	91401-20015	16 - 10		16 - 5		40 - 9	95827-06030	5 - 19	98507-05016	4 - 18
	20 - 23		24 - 10		24 - 11	95307-06700	24 - 13	95827-08014	28 - 9		34 - 10
	21 - 10	91401-25020	17 - 18		29 - 17	95307-08800	15 - 31	95827-08016	15 - 33	98507-05020	3 - 3
	22 - 19		17 - 24		33 - 15		33 - 25		33 - 29	98507-05025	6 - 14
90467-11009	6 - 10	91401-25025	29 - 13		33 - 21	95307-10700	17 - 15	95827-08020	8 - 3	98507-05030	3 - 5
	6 - 30	91401-30020	27 - 35		33 - 23		29 - 22		26 - 16	98507-06016	18 - 6
90467-11028	19 - 6	91401-30025	16 - 31		33 - 32	95307-12900	16 - 30		26 - 24	98507-06020	5 - 15
	20 - 16		27 - 64		33 - 34	95607-06100	31 - 15	95827-08025	27 - 56		27 - 22
	21 - 7	91609-25032	20 - 7	92907-16100	2 - 20	95607-08200	16 - 3	95827-08030	9 - 4	98602-04008	7 - 21
	21 - 16		22 - 7		11 - 19		27 - 11	95827-08035	1 - 4	98907-04008	4 - 9
	22 - 16	91609-30016	20 - 6		44 - 19	95612-05100	45 - 7	95827-08055	17 - 5	98907-05012	33 - 4
	22 - 25		22 - 6	92990-06600	40 - 8	95617-05100	11 - 12	95827-08065	29 - 31	98907-05016	29 - 8
90467-11032	6 - 8	91609-40040	26 - 10	93101-10001	5 - 5		44 - 12	95827-08080	9 - 3	98907-06016	33 - 2



NUMERICAL INDEX

PART NO.	REF. NO.	PART NO.	REF. NO.	PART NO.	REF. NO.	PART NO.	REF. NO.	PART NO.	REF. NO.
98907-06030	15 - 11								
98907-08016	15 - 28								
98907-08020	33 - 26								
99001-04600	39 - 16								
99009-10400	5 - 12								
99009-20400	26 - 23								
99009-42500	26 - 6								
	26 - 22								
	26 - 29								
99009-47500	26 - 14								