



PARTS CATALOGUE

ET410TRF (8BY8) U.S.A., CANADA, EUROPE, JAPAN

YAMAHA
GENUINE
Parts & Accessories

218BY-100E1

A2



A3

FOREWORD

This Parts Catalogue is related to the parts for the model(s) in the below frame. When you are ordering replacement parts, please refer to this Parts Catalogue and quote both part numbers and part names correctly.

ET410TRF(8BY8)

1. Modifications or additions which have been made after issue of the Parts Catalogue will be announced in the Yamaha Parts News.
It is advisable that you make necessary corrections to the Parts Catalogue according to the Yamaha Parts News.

2. Abbreviations
The following abbreviations are used in this Parts Catalogue.

"UR" Use specified parts number.

"UN" Use as many as needed.

"AP" Alternate Parts

"LM" Local Made (Parts need to be ordered locally)

"F#" Frame No. (Applicable machine No.)

3. Parts, which are to be supplied in an assembly, are listed with a dot(.) in front of the part name as shown below.

EXAMPLE

CARBURETOR ASSY

.JET, PILOT

.NOZZLE, MAIN

4. Number of component for assembly
The numeral appearing to the right of each component part indicates the quantity of parts for each assembly unit.

EXAMPLE

PART NO.	DESCRIPTION	Q'TY	REMARKS
2F5-83310-60	FRONT FLASHER LIGHT ASSY	2	
115-83311-60	.BULB (6V-18W)	1	

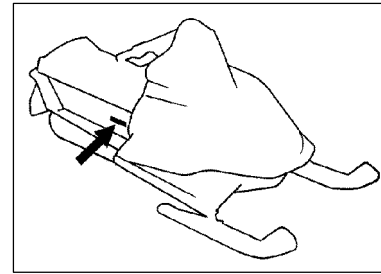
5. Applicable colors of graphics are represented in the "REMARKS" as shown below.

PART NO.	DESCRIPTION	Q'TY	REMARKS
2F5-83310-60	FRONT FLASHER LIGHT ASSY	2	
115-83311-60	.BULB (6V-18W)	1	

6. Applicable Starting Serial No. and Color Code

Starting Serial NO.: 8BY-016557

Frame Serial No.

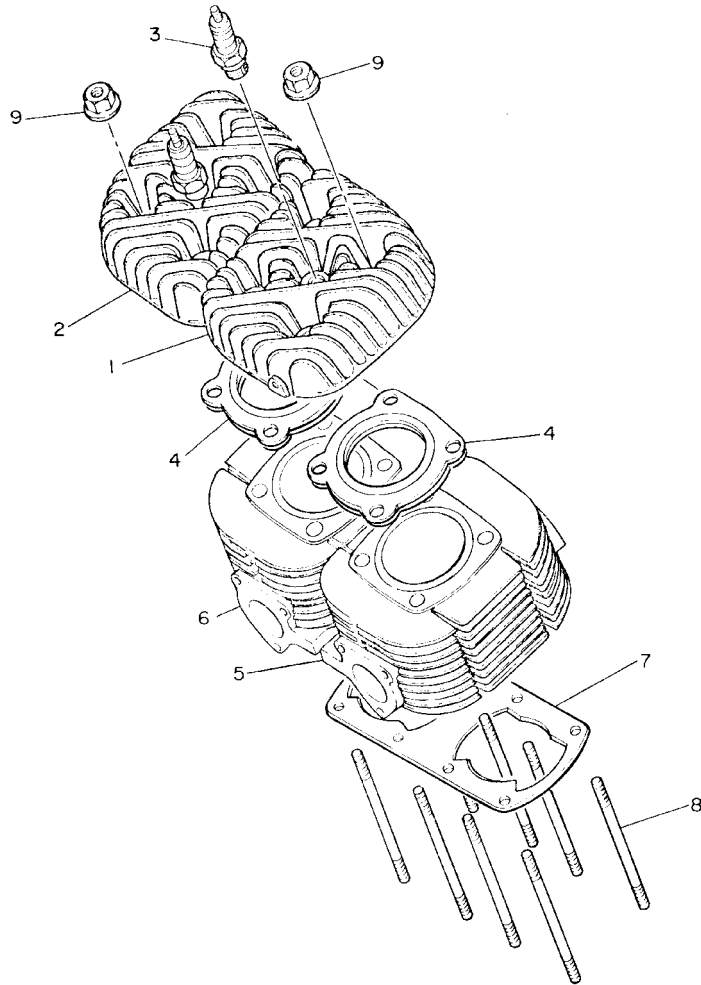


Color Code	MODEL	Color Name	Abbreviation	Country (destination)
0337	8BY8	DARK CYAN METALLIC 2	DCM2	USA, CAN, EUR, JPN

7. Note that the illustration for reference in funding parts numbers, not to be used for assembling. When assembling, pleas use the applicable service manual.

8. The asterisk (*) before a reference number indicates modification items after the first edition.

FIG. 1 CYLINDER HEAD

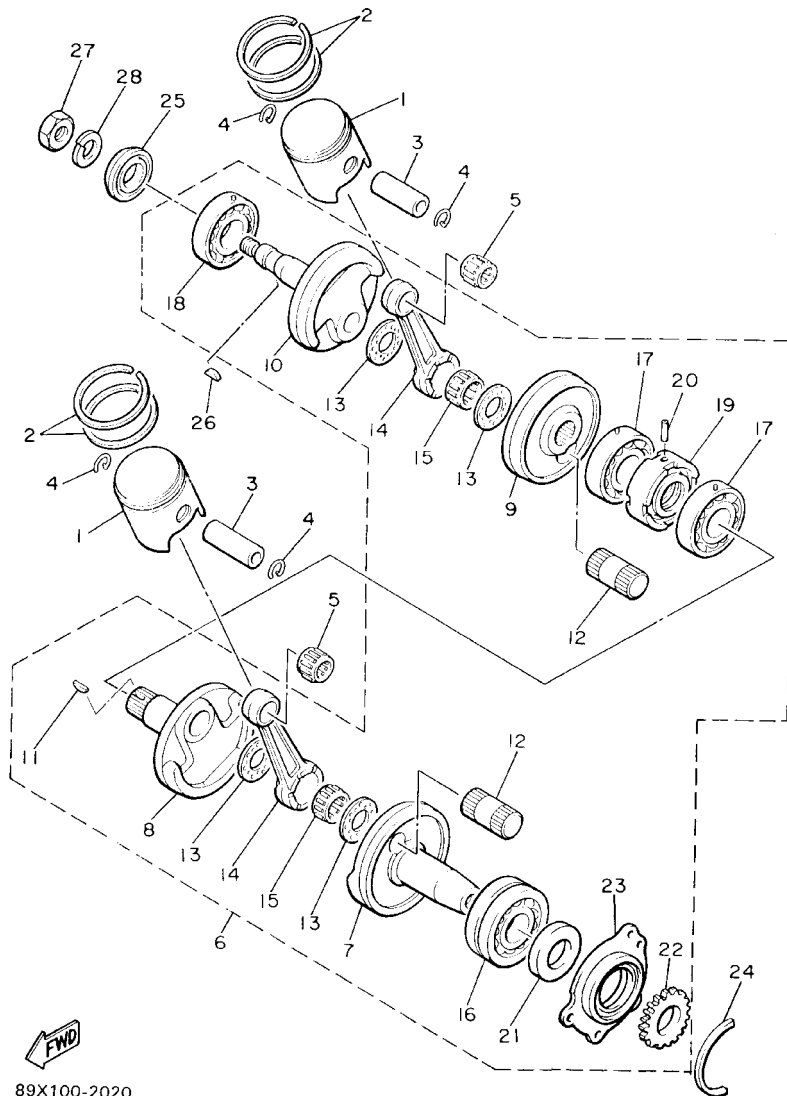


REF. NO.	PART NO.	DESCRIPTION	USA	CAN	EUR	JPN	REMARKS
1	89X-11111-00	HEAD, CYLINDER 1	1	1	1	1	
2	89X-11121-00	HEAD, CYLINDER 2	1	1	1	1	
3	94702-00188	PLUG, SPARK (NGK BR9ES)	2	2	2		
	94709-00188	PLUG, SPARK (NGK BR9ES)				2	
4	89X-11181-00	GASKET, CYLINDER HEAD 1	2	2	2	2	
5	89X-11311-00	CYLINDER 1	1	1	1	1	
6	89X-11321-00	CYLINDER 2	1	1	1	1	
7	89X-11351-00	GASKET, CYLINDER	1	1	1	1	
8	90116-08107	BOLT, STUD	8	8	8	8	
9	95707-08500	NUT, FLANGE	8	8	8	8	



89X100-2010

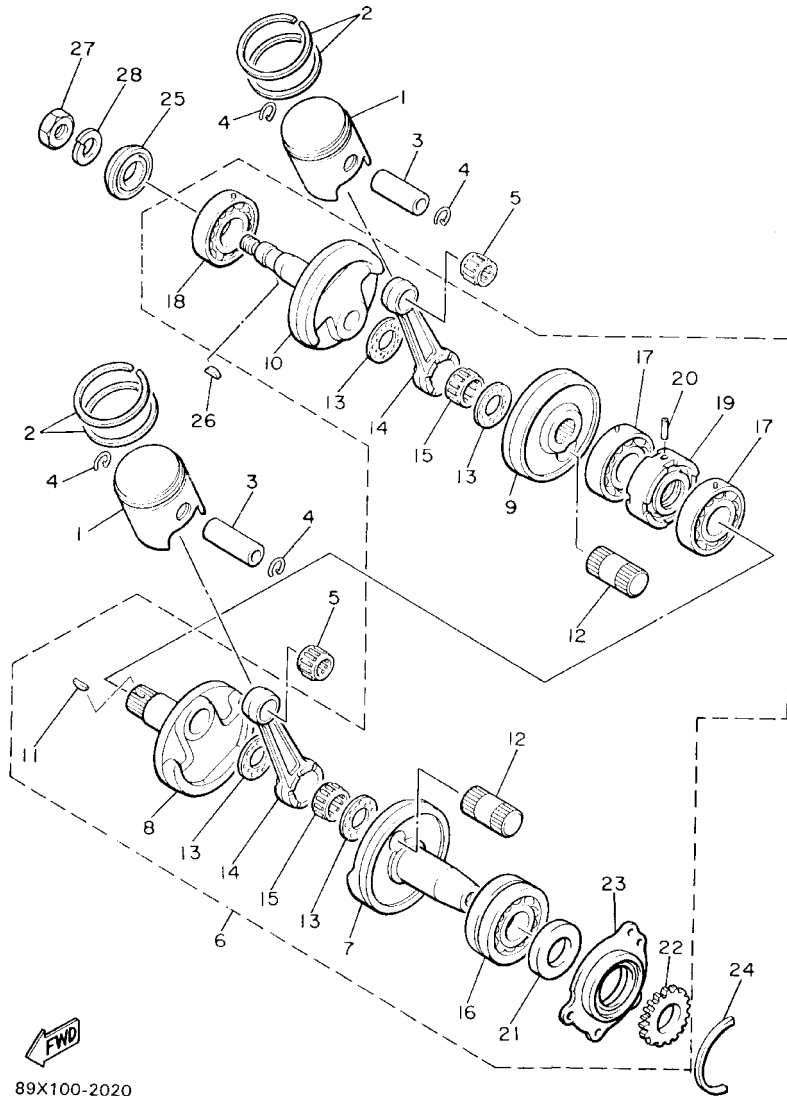
FIG. 2 CRANKSHAFT. PISTON



89X100-2020

REF. NO.	PART NO.	DESCRIPTION	USA	CAN	EUR	JPN	REMARKS
1	89X-11631-00-94	PISTON (STD)	2	2	2	2	
2	8K4-11601-00	PISTON RING SET (STD)	2	2	2	2	
3	4L0-11633-00	PIN, PISTON	2	2	2	2	
4	93450-17129	CIRCLIP	4	4	4	4	
5	93310-316B2	BEARING	2	2	2	2	
6	89X-11400-00	CRANKSHAFT ASSY	1	1	1	1	
7	8G8-11412-01	.CRANK 1	1	1	1	1	
8	8L3-11422-01	.CRANK 2	1	1	1	1	
9	8L3-11432-01	.CRANK 3	1	1	1	1	
10	8G8-11442-01	.CRANK 4	1	1	1	1	
11	90280-05014	.KEY, WOODRUFF	1	1	1	1	
12	8G8-11681-00	.PIN, CRANK 1	2	2	2	2	
13	90209-22071	.WASHER	4	4	4	4	
14	1GU-11651-00	.ROD, CONNECTING	2	2	2	2	
15	93310-522B3	.BEARING	2	2	2	2	
16	93303-30602	.BEARING	1	1	1	1	
17	93306-20617	.BEARING (B6206)	2	2	2	2	
18	93306-30521	.BEARING (B6305)	1	1	1	1	
19	8L3-11515-01	.SEAL, LABYRINTH 1	1	1	1	1	
20	91609-30010	.PIN, SPRING	1	1	1	1	
21	85T-11478-00	.COLLAR	1	1	1	1	
22	85L-13178-00	.GEAR, PUMP DRIVE	1	1	1	1	
23	89X-11447-00	.SEAL, CRANK	1	1	1	1	
24	93440-72049	CIRCLIP	1	1	1	1	
25	93102-25183	OIL SEAL	1	1	1	1	
26	90280-05013	.KEY, WOODRUFF	1	1	1	1	
27	90170-16425	NUT	1	1	1	1	

FIG. 2 CRANKSHAFT. PISTON

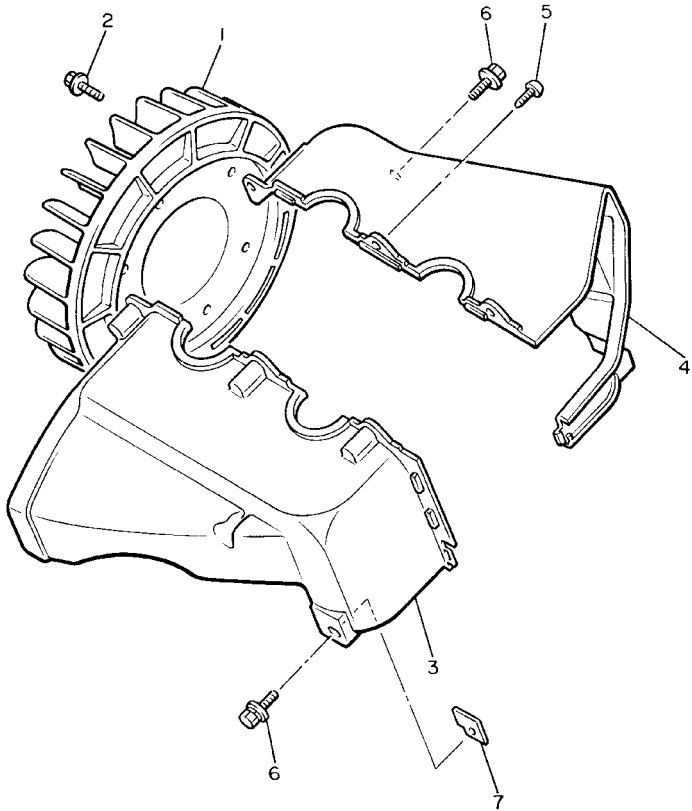


89X100-2020

REF. NO.	PART NO.	DESCRIPTION	USA	CAN	EUR	JPN	REMARKS
28	92907-16100	WASHER	1	1	1	1	

FIG. 3 AIR SHROUD. FAN

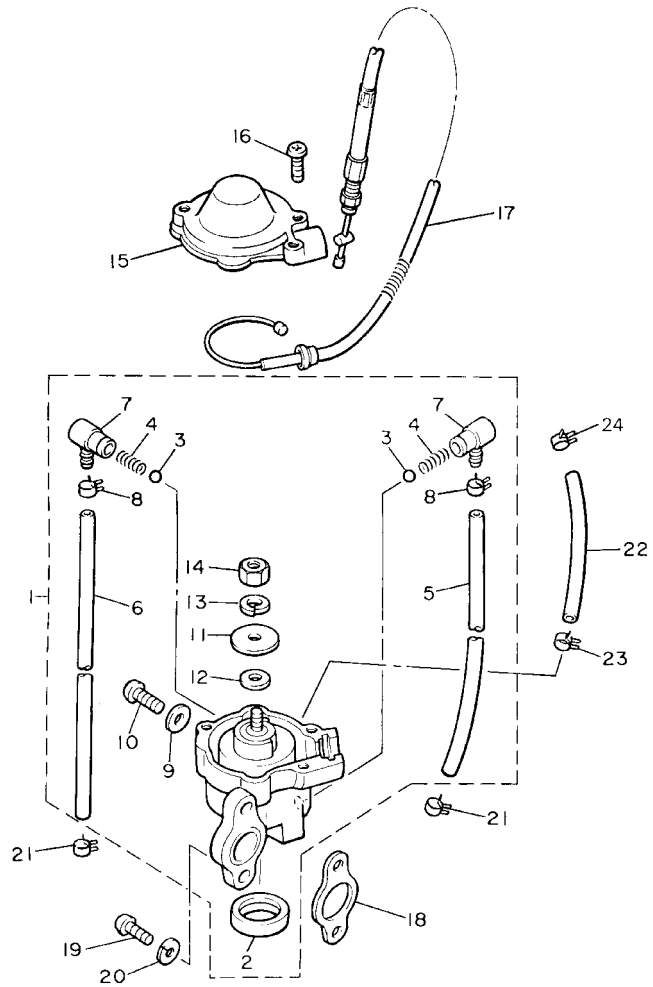
REF. NO.	PART NO.	DESCRIPTION	USA	CAN	EUR	JPN	REMARKS
1	8G8-12611-01	FAN	1	1	1	1	
2	90105-06556	BOLT, WASHER BASED	6	6	6	6	
3	85L-12651-00	AIR SHROUD, CYLINDER 1	1	1	1	1	
4	85L-12652-00	AIR SHROUD, CYLINDER 2	1	1	1	1	
5	90167-06056	SCREW, TAPPING	3	3	3	3	
6	90119-06108	BOLT, WITH WASHER	6	6	6	6	
7	89X-12682-00	PROTECTOR, HEAT	1	1	1	1	



89X100-2030

FIG. 4 OIL PUMP

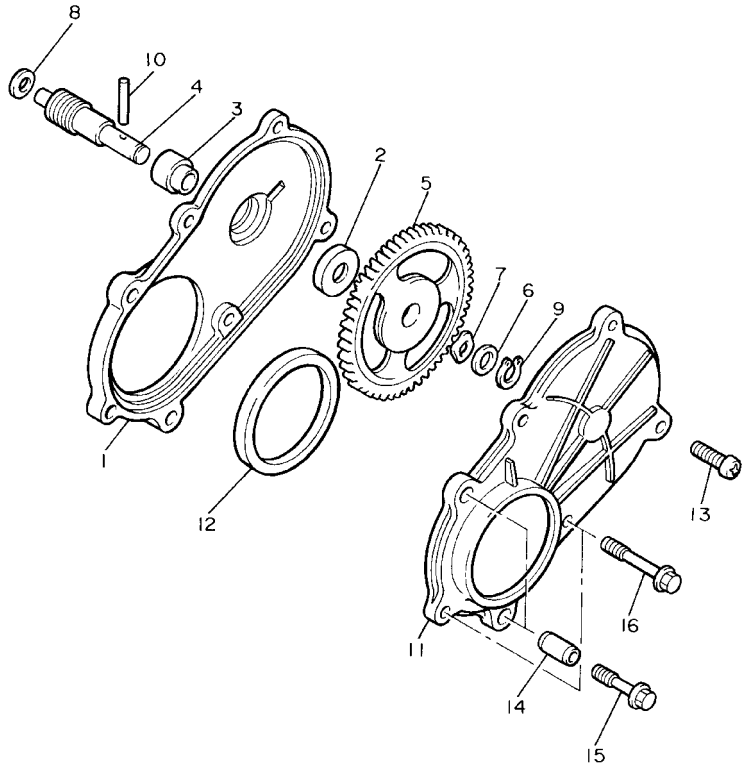
REF. NO.	PART NO.	DESCRIPTION	USA	CAN	EUR	JPN	REMARKS
1	89X-13101-00	OIL PUMP ASSY	1	1	1	1	
2	90338-21075	.PLUG	1	1	1	1	
3	93505-32002	.BALL	2	2	2	2	
4	90501-02018	.SPRING, COMPRESSION	2	2	2	2	
5	91A30-03042	.TUBE, FLEXIBLE VINYL	1	1	1	1	
6	91A30-03042	.TUBE, FLEXIBLE VINYL	1	1	1	1	
7	353-13552-01	.NOZZLE	2	2	2	2	
8	90468-02025	.CLIP	2	2	2	2	
9	90430-04004	.GASKET	1	1	1	1	
10	98901-04008	.SCREW, BIND	1	1	1	1	
11	137-13138-01	.PLATE, ADJUSTING	1	1	1	1	
12	137-13137-00-03	.SHIM (0.3T)	1	1	1	1	UR
	137-13137-00-05	.SHIM (0.5T)	1	1	1	1	UR
	137-13137-00-10	.SHIM (1.0T)	1	1	1	1	UR
13	92901-05100	.WASHER, SPRING	1	1	1	1	
14	95301-05600	.NUT	1	1	1	1	
15	8A5-13146-01	COVER,ADJUST PULLEY	1	1	1	1	
16	98507-04018	SCREW, PAN HEAD	3	3	3	3	
17	85L-26320-00	PUMP CABLE ASSY	1	1	1	1	
18	8Y0-13116-01	GASKET, PUMP CASE	1	1	1	1	
19	98507-05016	SCREW, PAN HEAD	2	2	2	2	
20	92907-05100	WASHER, SPRING	2	2	2	2	
21	90468-02025	CLIP	2	2	2	2	
22	91A30-05010	TUBE, FLEXIBLE VINYL	1	1	1	1	
23	90467-09026	CLIP	1	1	1	1	
24	90467-08017	CLIP	1	1	1	1	



8BY2100-5040

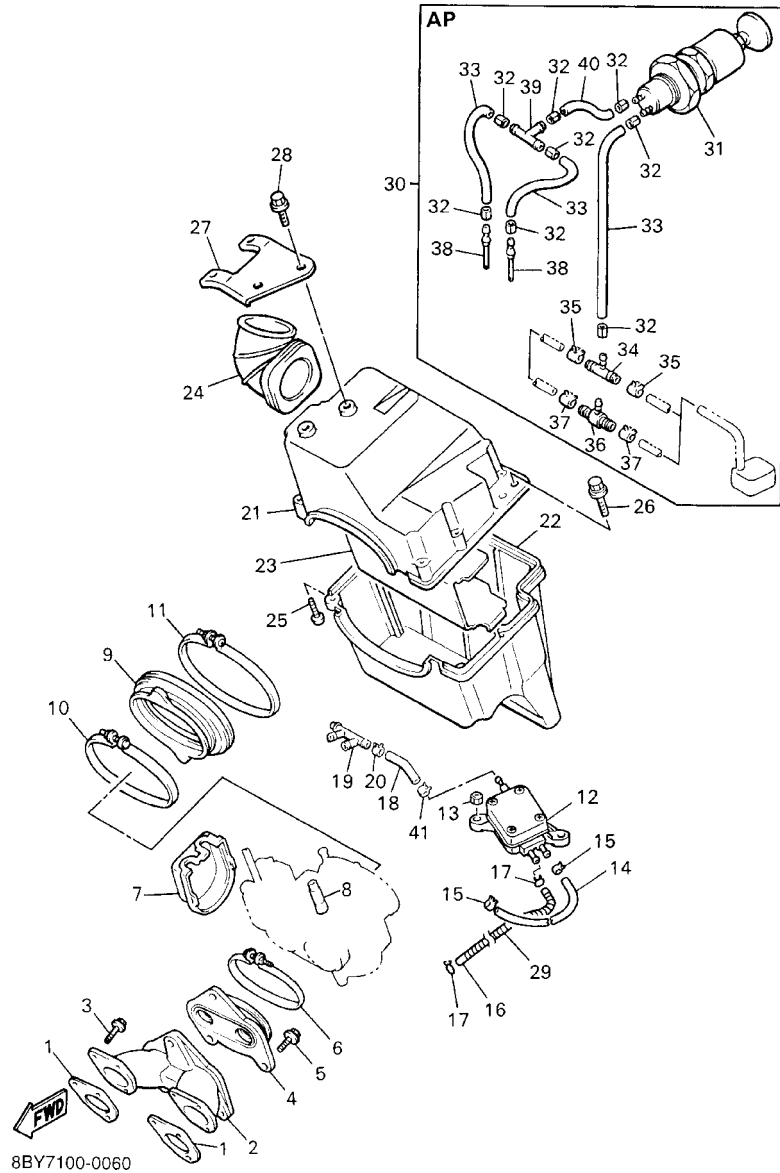
FIG. 5 PUMP DRIVE GEAR

REF. NO.	PART NO.	DESCRIPTION	USA	CAN	EUR	JPN	REMARKS
1	85L-15416-00	COVER, OIL PUMP	1	1	1	1	
2	93101-10001	OIL SEAL	1	1	1	1	
3	821-13176-00	METAL, WORM SHAFT OUTER	1	1	1	1	
4	85L-13175-00	SHAFT, WORM	1	1	1	1	
5	8R4-13188-00	GEAR, DRIVE	1	1	1	1	
6	137-13148-00	PLATE, CAM THRUST	1	1	1	1	
7	90206-11016	WASHER, WAVE	1	1	1	1	
8	90201-08624	WASHER, PLATE	1	1	1	1	
9	99009-10400	CIRCLIP	1	1	1	1	
10	93603-22028	PIN, DOWEL	1	1	1	1	
11	85L-15426-02	COVER, OIL PUMP 2	1	1	1	1	
12	93104-52079	OIL SEAL	1	1	1	1	
13	98507-06016	SCREW, PAN HEAD	3	3	3	3	
14	91808-22019	PIN, DOWEL	2	2	2	2	
15	95827-06035	BOLT, FLANGE	2	2	2	2	
16	95827-06025	BOLT, FLANGE	2	2	2	2	



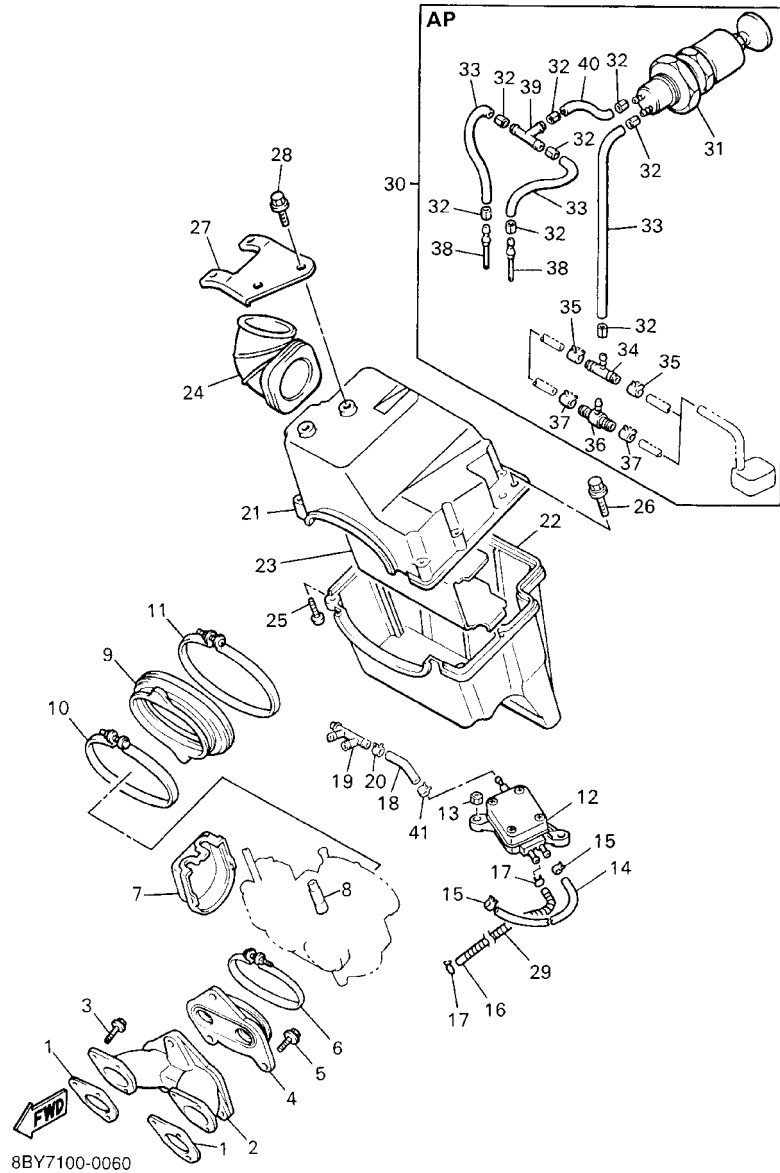
87E100-0050

FIG. 6 INTAKE



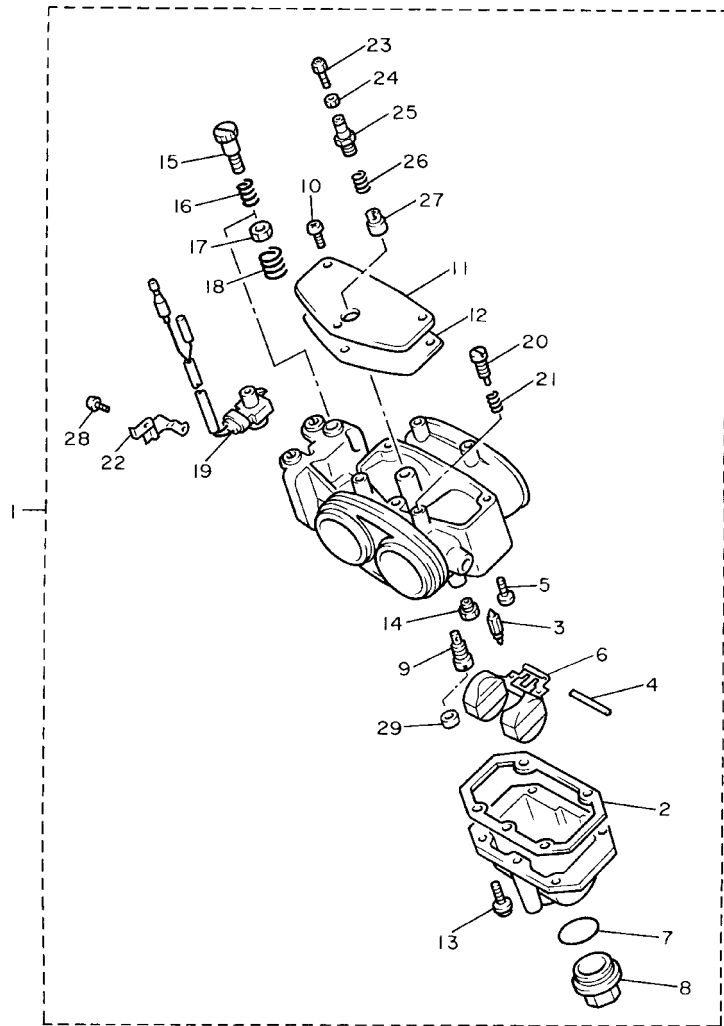
REF. NO.	PART NO.	DESCRIPTION	USA	CAN	EUR	JPN	REMARKS
1	8Y2-13563-02	GASKET	2	2	2	2	
2	85L-13565-00	JOINT, CARBURETOR	1	1	1	1	
3	90105-06557	BOLT, WASHER BASED	6	6	6	6	
4	89X-13555-00	MANIFOLD, INTAKE	1	1	1	1	
5	95827-08025	BOLT, FLANGE	3	3	3	3	
6	90450-25026	HOSE CLAMP ASSY	1	1	1	1	
7	85L-14471-00	CAP, CARBURETOR	1	1	1	1	
8	8J5-26352-00	BOOT	1	1	1	1	
9	85L-14453-00	JOINT, AIR CLEANER 1	1	1	1	1	
10	90450-25027	HOSE CLAMP ASSY	1	1	1	1	
11	90450-25028	HOSE CLAMP ASSY	1	1	1	1	
12	85L-24410-00	FUEL PUMP ASSY	1	1	1	1	
13	95707-06300	NUT, FLANGE	1	1	1	1	
14	90445-093J2	HOSE (L340)	1	1	1	1	
15	90467-09026	CLIP	2	2	2	2	
16	90445-11696	HOSE (L355)	1	1	1	1	
17	90467-11032	CLIP	2	2	2	2	
18	90445-114K3	HOSE (L40)	1	1	1	1	
19	82M-24376-00	PIPE, JOINT 1	1	1	1	1	
20	90467-11028	CLIP	1	1	1	1	
21	87D-14431-00	SILENCER, INTAKE 1	1	1	1	1	
22	85L-14441-00	SILENCER, INTAKE 2	1	1	1	1	
23	87D-14477-00	PLATE	1	1	1	1	
24	89X-14423-00	PIPE, SUCTION 1	1	1	1	1	
25	97707-50525	SCREW, TAPPING	6	6	6	6	
26	90119-06108	BOLT, WITH WASHER	2	2	2	2	
27	87D-14493-00	STAY 1	1	1	1	1	

FIG. 6 INTAKE



REF. NO.	PART NO.	DESCRIPTION	USA	CAN	EUR	JPN	REMARKS
28	90105-06452	BOLT, WASHER BASED	2	2	2	2	
29	90501-08728	SPRING, COMPRESSION				1	
30	85L-W2431-00	PRIMER PUMUP KIT	1	1	1	1	AP
31	8X8-24360-01	.PRIMER PUMP ASSY	1	1	1	1	AP
32	90467-07055	.CLIP	8	8	8	8	AP
33	90445-084K1	.HOSE (L1300)	1	1	1	1	AP
34	815-24379-00	.PIPE, JOINT 4	1	1	1	1	AP
35	90467-11009	.CLIP	2	2	2	2	AP
36	90413-05011	.WAY 3	1	1	1	1	AP
37	90467-09026	.CLIP	2	2	2	2	AP
38	8U0-13552-00	.NOZZLE	2	2	2	2	AP
39	8H0-24379-00	.JOINT	1	1	1	1	AP
40	90445-084K0	.HOSE (L360)	1	1	1	1	AP
41	90467-10039	CLIP	1	1	1	1	

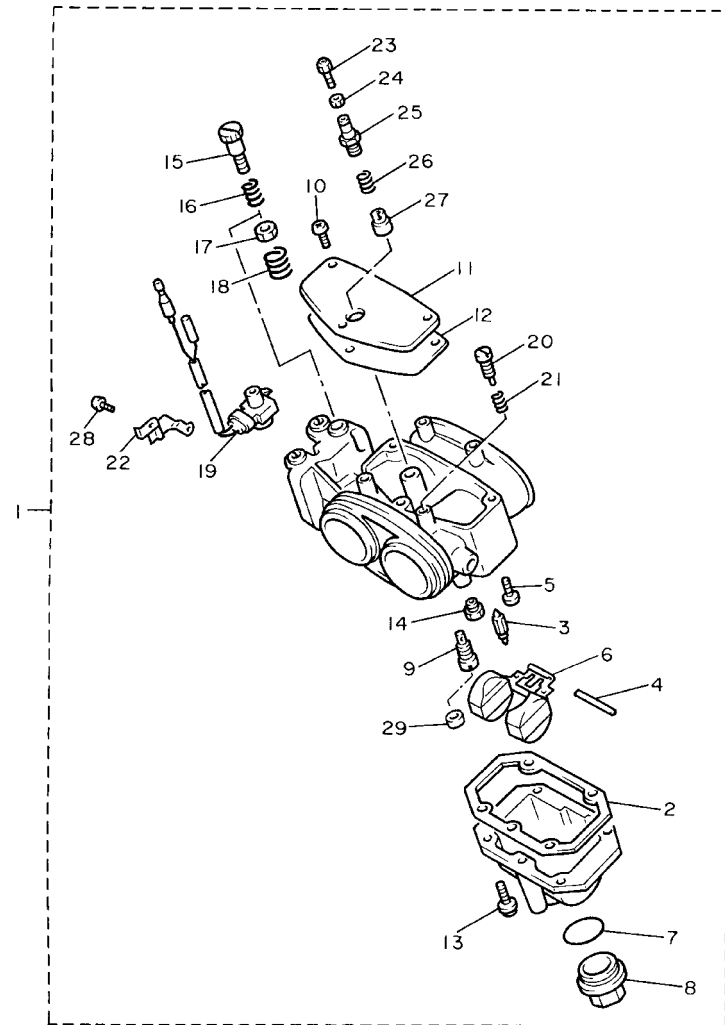
FIG. 7 CARBURETOR



87E100-0070

REF. NO.	PART NO.	DESCRIPTION	USA	CAN	EUR	JPN	REMARKS
1	89X-14301-00	CARBURETOR ASSY 1	1	1	1	1	
2	85L-14384-01	.GASKET, FLOAT CHAMBER	1	1	1	1	
3	85L-14392-00	.VALVE, NEEDLE	1	1	1	1	
4	6E5-14386-01	.PIN, FLOAT	1	1	1	1	
5	98902-04006	.SCREW, BIND	1	1	1	1	
6	87D-14385-00	.FLOAT	1	1	1	1	
7	85L-14147-00	.O-RING	1	1	1	1	
8	85L-14191-00	.PLUG, DRAIN	1	1	1	1	
9	85L-14342-39	.JET, PILOT (# 78)	2	2	2	2	STD
	85L-14342-40	.JET, PILOT (# 80)	2	2	2	2	AP
10	97802-05008	.SCREW, PAN HEAD	3	3	3	3	
11	85L-14157-00	.COVER, MIXING	1	1	1	1	
12	85L-14227-00	.WASHER	1	1	1	1	
13	97602-04116	.SCREW, PAN HEAD WITH WASHER	4	4	4	4	
14	288-14329-83	.JET, MAIN (#166)	2	2	2	2	STD
	288-14329-74	.JET, MAIN (#148)	2	2	2	2	AP
	288-14329-75	.JET, MAIN (#150)	2	2	2	2	AP
	288-14343-76	.JET, MAIN (#152)	2	2	2	2	AP
	288-14329-77	.JET, MAIN (#154)	2	2	2	2	AP
	288-14329-78	.JET, MAIN (#156)	2	2	2	2	AP
	288-14329-79	.JET, MAIN (#158)	2	2	2	2	AP
	288-14343-80	.JET, MAIN (#160)	2	2	2	2	AP
	288-14329-81	.JET, MAIN (#162)	2	2	2	2	AP
	288-14329-82	.JET, MAIN (#164)	2	2	2	2	AP
15	85L-14321-00	.SCREW, THROTTLE	1	1	1	1	
16	85L-14333-00	.SPRING, THROTTLE STOP	1	1	1	1	
17	85L-14358-00	.NUT	1	1	1	1	

FIG. 7 CARBURETOR

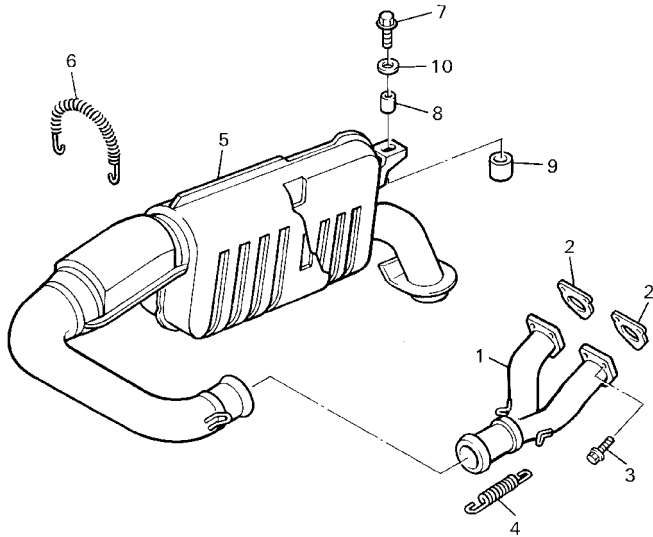


87E100-0070

REF. NO.	PART NO.	DESCRIPTION	USA	CAN	EUR	JPN	REMARKS
18	85L-14133-00	.SPRING, THROTTLE STOP	1	1	1	1	
19	8V0-8259A-01	.SWITCH, CARBURETOR	1	1	1	1	
20	85L-14323-00	.SCREW, AIR ADJUSTING	2	2	2	2	
21	85L-14334-00	.SPRING, AIR ADJUSTING	2	2	2	2	
22	85L-14146-00	.PLATE	1	1	1	1	
23	288-14124-00	.SCREW, CABLE ADJUSTING	1	1	1	1	
24	85L-14161-00	.NUT, CABLE ADJUSTING	1	1	1	1	
25	85L-14374-00	.CAP, PLUNGER	1	1	1	1	
26	85L-14335-01	.SPRING, PLUNGER	1	1	1	1	
27	87D-14371-00	.PLUNGER, STARTER	1	1	1	1	
28	97802-04008	.SCREW, PAN HEAD	2	2	2	2	
29	50M-14355-00	.PLUG	2	2	2	2	

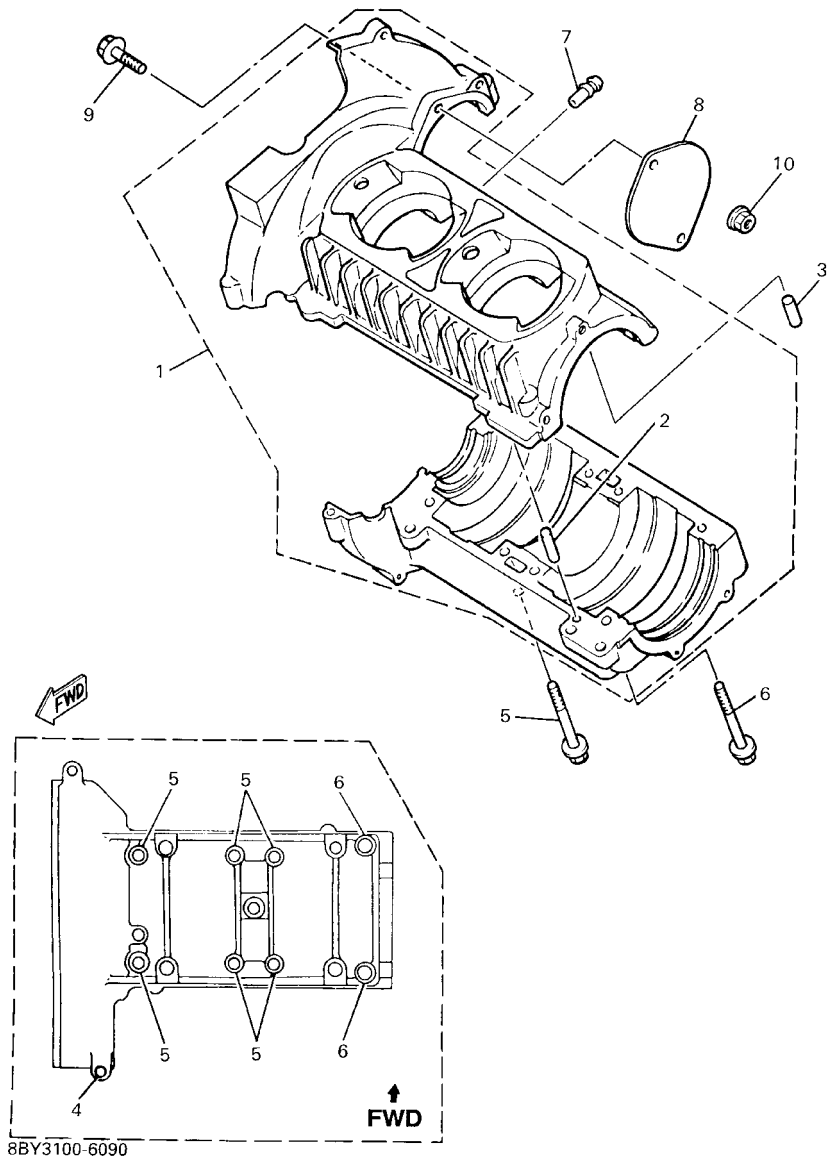
FIG. 8 EXHAUST

REF. NO.	PART NO.	DESCRIPTION	USA	CAN	EUR	JPN	REMARKS
1	8G8-14610-00	EXHAUST PIPE ASSY 1	1	1	1	1	
2	8G8-14613-01	GASKET, EXHAUST PIPE	2	2	2	2	
3	95827-06020	BOLT, FLANGE	6	6	6	6	
4	90506-20272	SPRING, TENSION	2	2	2	2	
5	89X-14710-00	MUFFLER ASSY 1	1	1	1	1	
6	90506-16436	SPRING, TENSION	1	1	1	1	
7	95827-08030	BOLT, FLANGE	1	1	1	1	
8	90387-08778	COLLAR	1	1	1	1	
9	8G8-14747-00	DAMPER, MUFFLER	1	1	1	1	
10	90201-08753	WASHER, PLATE	1	1	1	1	



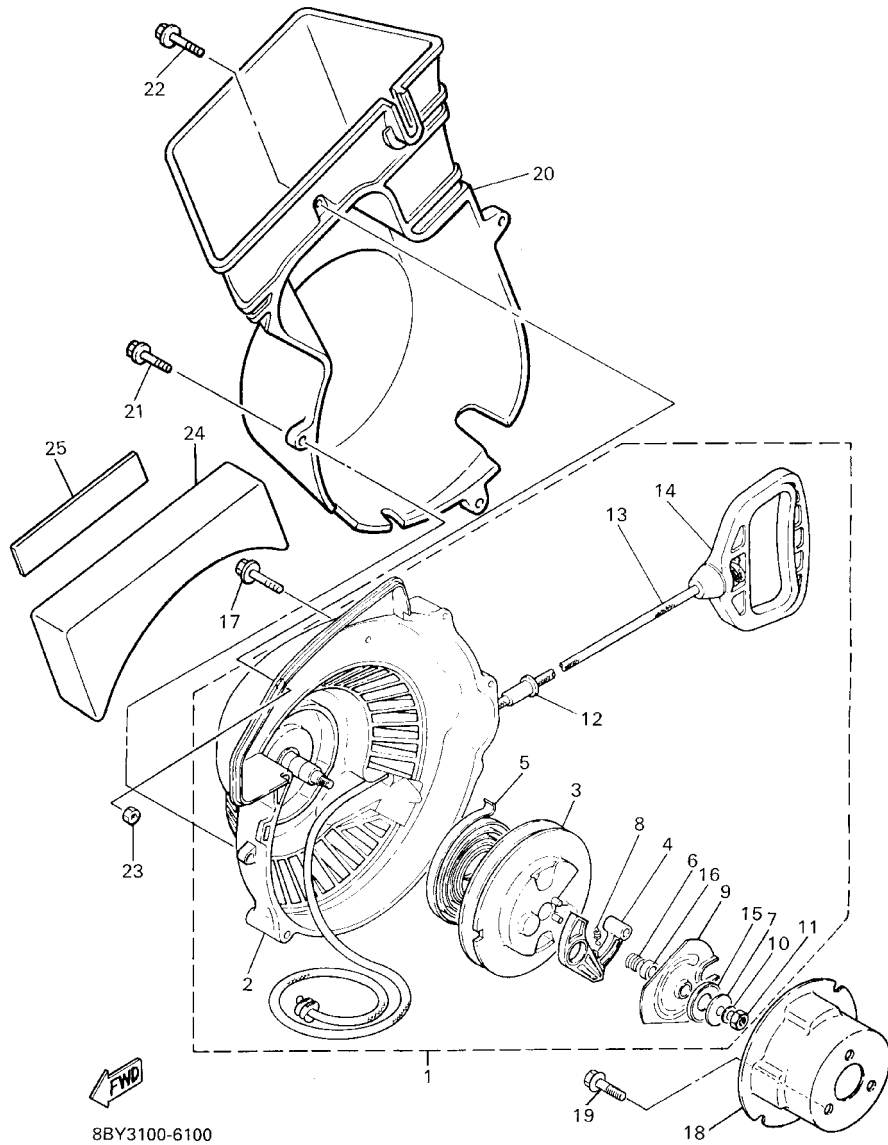
8BY3100-6080

FIG. 9 CRANKCASE



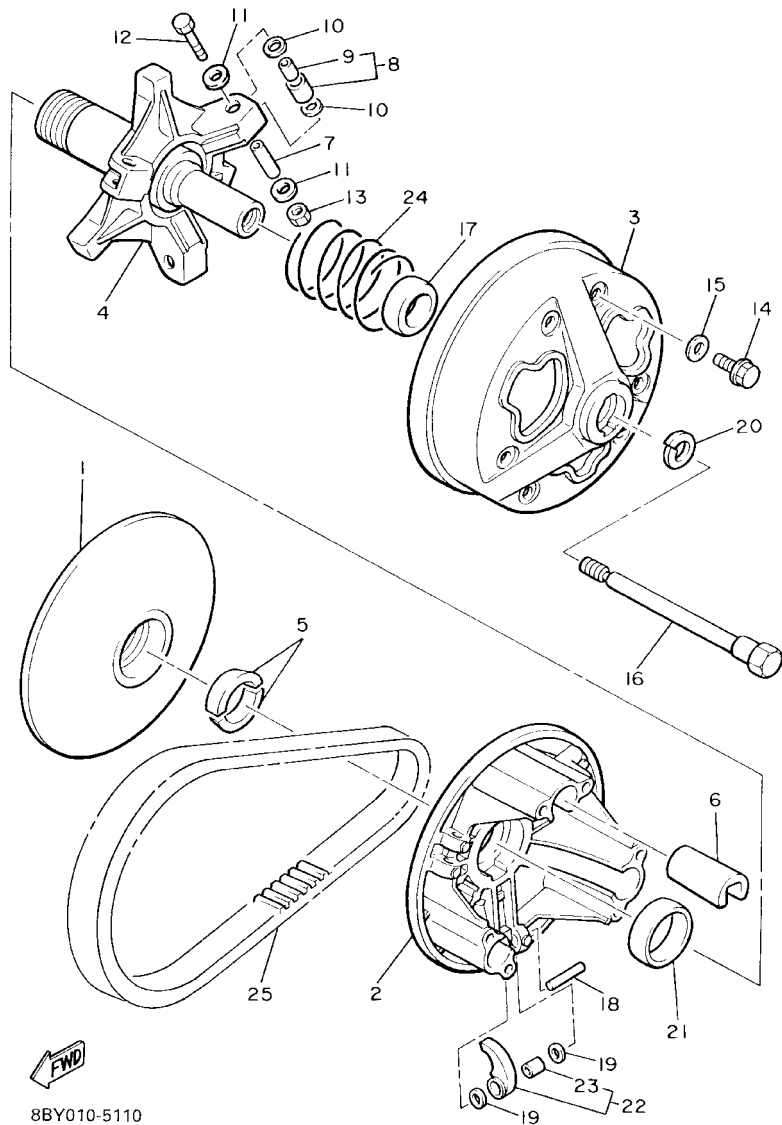
REF. NO.	PART NO.	DESCRIPTION	USA	CAN	EUR	JPN	REMARKS
1	89X-15100-00	CRANKCASE ASSY	1	1	1	1	
2	93605-10108	.PIN, DOWEL	2	2	2	2	
3	93603-10049	PIN, DOWEL	1	1	1	1	
4	95827-08040	BOLT, FLANGE	1	1	1	1	
5	95827-08060	BOLT, FLANGE	6	6	6	6	
6	95827-08070	BOLT, FLANGE	2	2	2	2	
7	J38-11116-00	JOINT, BREATHER	1	1	1	1	
8	8K4-12633-00	PLATE	1	1	1		
9	95807-08035	BOLT, FLANGE	2	2	2		
10	95707-08500	NUT, FLANGE	2	2	2		

FIG. 10 STARTER



REF. NO.	PART NO.	DESCRIPTION	USA	CAN	EUR	JPN	REMARKS
1	85L-15710-00	STARTER ASSY	1	1	1	1	
2	8G8-15711-01	.CASE, STARTER	1	1	1	1	
3	8F3-15714-01	.DRUM, SHEAVE	1	1	1	1	
4	8F3-15741-01	.PAWL, DRIVE	1	1	1	1	
5	8F3-15713-01	.SPRING, STARTER	1	1	1	1	
6	8F3-15715-00	.SPRING, FRICTION	1	1	1	1	
7	8F3-15739-01	.WASHER, THRUST	1	1	1	1	
8	8F3-15734-00	.SPRING, RETURN	1	1	1	1	
9	8F3-15716-03	.PLATE, DRIVE	1	1	1	1	
10	92907-06100	.WASHER, SPRING	1	1	1	1	
11	95307-06700	.NUT	1	1	1	1	
12	8F3-15758-00	.GUIDE, ROPE	1	1	1	1	
13	8F3-15751-00	.WIRE, STARTER	1	1	1	1	
14	8F3-15755-00	.HANDLE, STARTER	1	1	1	1	
15	8G5-15739-00	.WASHER, THRUST	1	1	1	1	
16	82M-15779-00	.COVER	1	1	1	1	
17	90105-06558	BOLT, WASHER BASED	5	5	5	5	
18	81L-15723-00	PULLEY, STARTER	1	1	1	1	
19	95807-08012	BOLT, FLANGE	3	3	3	3	
20	85L-15779-00	COVER	1	1	1	1	
21	95807-06030	BOLT, FLANGE	2	2	2	2	
22	90105-06550	BOLT, WASHER BASED	1	1	1	1	
23	90179-06447	NUT	1	1	1	1	
24	89X-12631-00	DEFLECTOR 1	1	1	1	1	
25	89X-12681-00	PLATE	1	1	1	1	

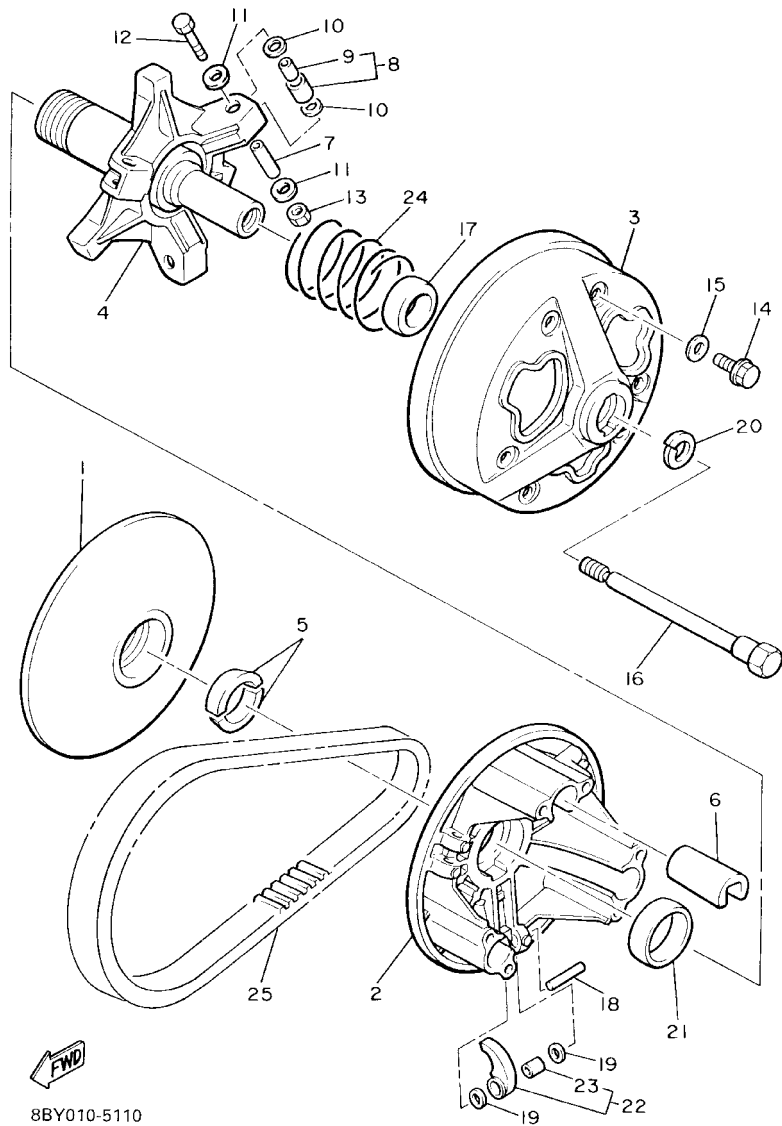
FIG. 11 PRIMARY SHEAVE



8BY010-5110

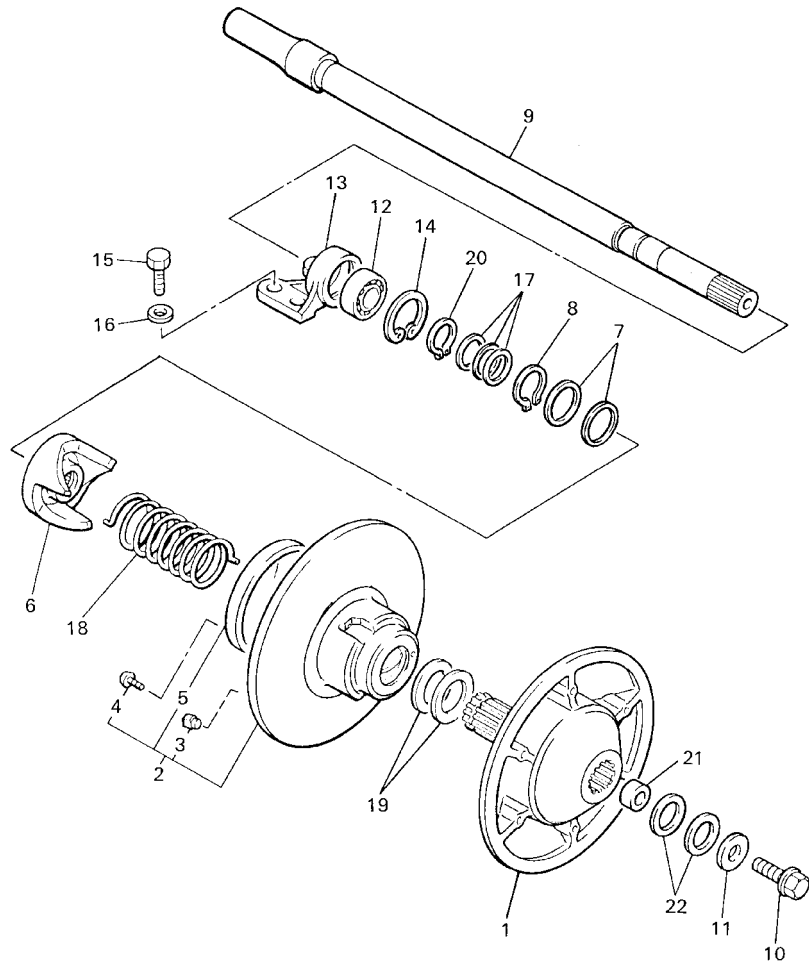
REF. NO.	PART NO.	DESCRIPTION	USA	CAN	EUR	JPN	REMARKS
1	84J-17611-00	SHEAVE, PRIMARY FIXED	1	1	1	1	
2	8V0-17621-01	SHEAVE, PRIMARY SLIDING	1	1	1	1	
3	8V0-17631-00	CAP	1	1	1	1	
4	8V0-17640-02	SPIDER COMPLETE	1	1	1	1	
5	8V0-17639-00	STOPPER	2	2	2	2	
6	88X-17653-00	SLIDER	3	3	3	3	
7	90387-057W5	COLLAR	3	3	3	3	
8	87M-W176B-10	ROLLER, WITH BUSH	3	3	3	3	
9	90386-08179	.BUSH	1	1	1	1	
10	90202-08205	WASHER, PLATE	6	6	6	6	
11	90201-050P9	WASHER, PLATE	6	6	6	6	
12	97027-05035	BOLT	3	3	3	3	
13	95617-05100	NUT, U	3	3	3	3	
14	97017-06030	BOLT	6	6	6	6	
15	92907-06600	WASHER, PLATE	6	6	6	6	
16	8V0-17647-00	BOLT (L=156.5MM)	1	1	1	1	
17	90389-28032	BUSH	1	1	1	1	
18	93607-44190	PIN, DOWEL	3	3	3	3	
19	90201-077F5	WASHER, PLATE	6	6	6	6	
20	92907-16100	WASHER	1	1	1	1	
21	90389-40029	BUSH	1	1	1	1	
22	83R-W176A-00	WEIGHT, WITH BUSH	3	3	3	3	STD
	82M-W176A-00	WEIGHT, WITH BUSH	3	3	3	3	AP
	8V0-W176A-00	WEIGHT, WITH BUSH	3	3	3	3	AP
23	90386-07152	.BUSH	1	1	1	1	
24	90501-527H0	SPRING, COMPRESSION	1	1	1	1	STD
	90501-55485	SPRING, COMPRESSION	1	1	1	1	AP

FIG. 11 PRIMARY SHEAVE



REF. NO.	PART NO.	DESCRIPTION	USA	CAN	EUR	JPN	REMARKS
24	90501-554E8	SPRING, COMPRESSION	1	1	1	1	AP
	90501-55559	SPRING, COMPRESSION	1	1	1	1	AP
	90501-557H9	SPRING, COMPRESSION	1	1	1	1	AP
25	89X-17641-00	V-BELT	1	1	1	1	

FIG. 12 SECONDARY SHEAVE

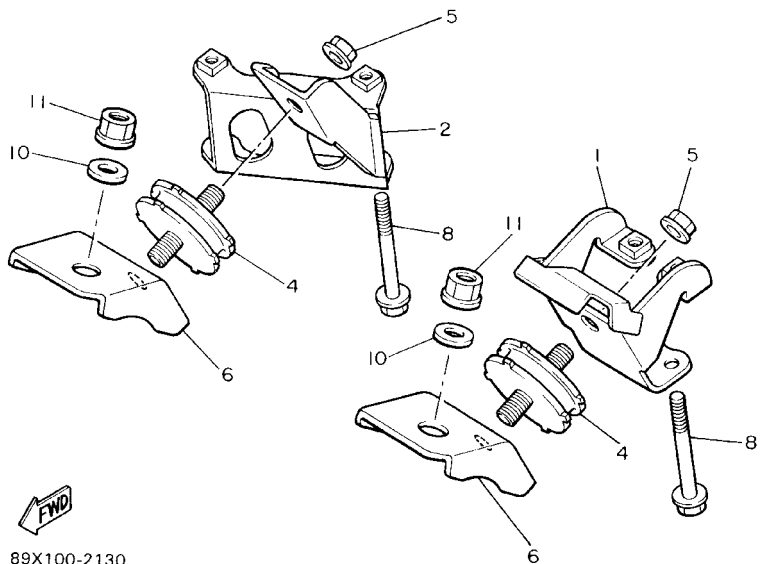
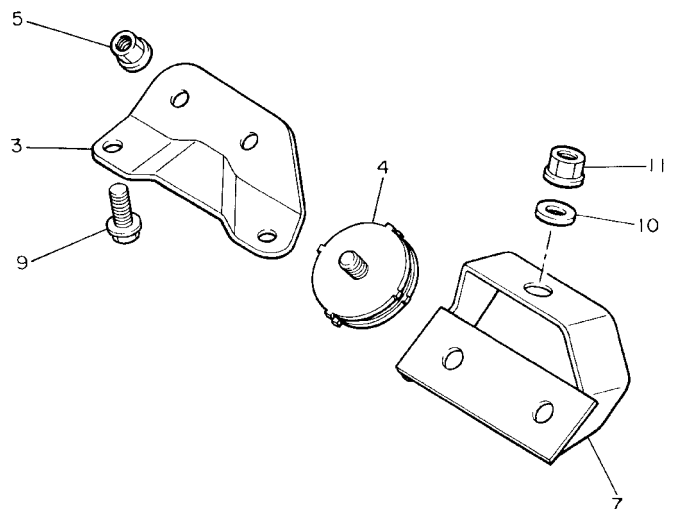


8BY4100-7120

REF. NO.	PART NO.	DESCRIPTION	USA	CAN	EUR	JPN	REMARKS
1	89N-17660-00	SECONDARY FIXED SHEAVE COMP.	1	1	1	1	
2	89N-17670-00	SECONDARY SLIDING SHEAVE	1	1	1	1	
3	8X6-17688-00	.SHOE, RAMP	3	3	3	3	
4	90154-06062	.SCREW, BINDING	3	3	3	3	
5	90384-90081	.BUSH, BIMETAL FORMED	1	1	1	1	
6	88R-17684-02	SEAT, SECONDARY SPRING	1	1	1	1	STD
	89N-17684-00	SEAT, SECONDARY SPRING	1	1	1	1	AP
7	90214-29060	WASHER, CLAW	2	2	2	2	
8	93440-34170	CIRCLIP	1	1	1	1	
9	88T-17680-01	SECONDARY SHAFT COMP.	1	1	1	1	
10	90105-14175	BOLT, WASHER BASED	1	1	1	1	
11	90201-141A3	WASHER, PLATE	1	1	1	1	
12	93306-20582	BEARING (62052RSC3)	1	1	1	1	
13	8V0-47631-00	HOUSING, BEARING	1	1	1	1	
14	99009-52500	CIRCLIP	1	1	1	1	
15	97027-08020	BOLT	4	4	4	4	
16	92907-08600	WASHER, PLATE	4	4	4	4	
17	90201-252F1	WASHER, PLATE (T0.5)	1	1	1	1	UR UN
	90201-25527	WASHER, PLATE (T1.0)	1	1	1	1	UR UN
	90201-25526	WASHER, PLATE (T2.0)	1	1	1	1	UR UN
18	90508-50571	SPRING, TORSION	1	1	1	1	
19	90201-345G2	WASHER, PLATE	2	2	2	2	
20	93410-25017	CIRCLIP	1	1	1	1	
21	90387-147A8	COLLAR	1	1	1	1	
22	90201-222F0	WASHER, PLATE (T=0.5)	1	1	1	1	UR UN
	90201-225A4	WASHER, PLATE (T=1.0)	1	1	1	1	UR UN

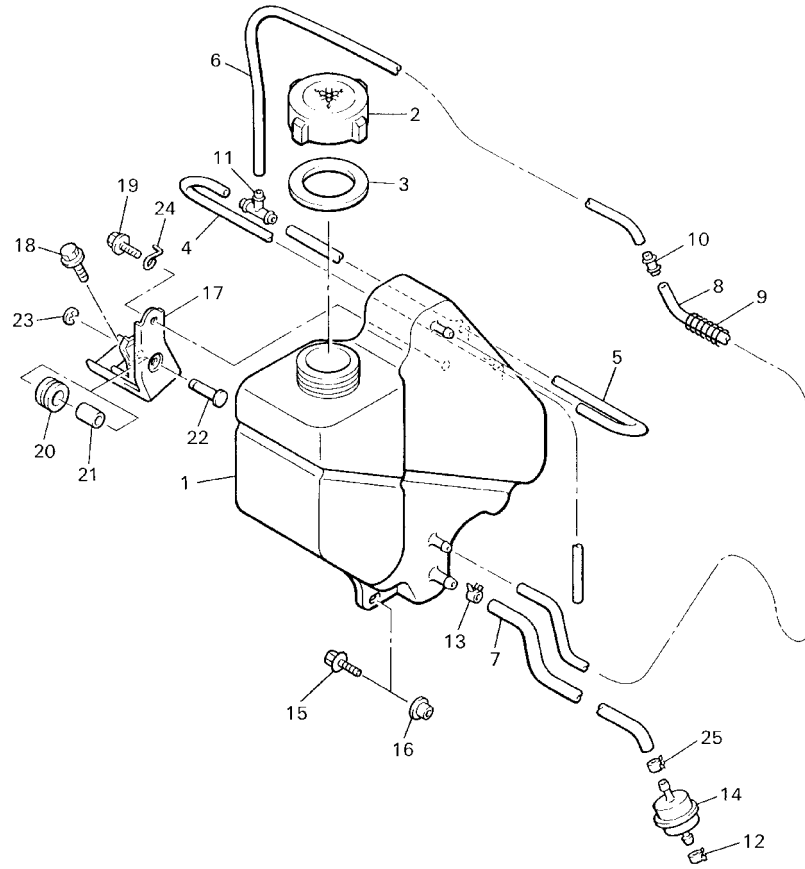
FIG. 13 ENGINE BRACKET

REF. NO.	PART NO.	DESCRIPTION	USA	CAN	EUR	JPN	REMARKS
1	89X-21411-01	BRACKET, ENGINE 1	1	1	1	1	
2	85L-21419-00	BRACKET, ENGINE 2	1	1	1	1	
3	85L-21429-00	BRACKET, ENGINE 3	1	1	1	1	
4	8N8-21486-00	DAMPER 2	4	4	4	4	
5	95707-10500	NUT, FLANGE	4	4	4	4	
6	85L-21417-00	BRACKET, FRONT LOWER 1	2	2	2	2	
7	85L-21427-00	BRACKET, REAR LOWER 1	1	1	1	1	
8	95827-08070	BOLT, FLANGE	4	4	4	4	
9	95827-10025	BOLT, FLANGE	2	2	2	2	
10	90201-10321	WASHER, PLATE	3	3	3	3	
11	95707-10500	NUT, FLANGE	3	3	3	3	



89X100-2130
 FWD

FIG. 14 OIL TANK

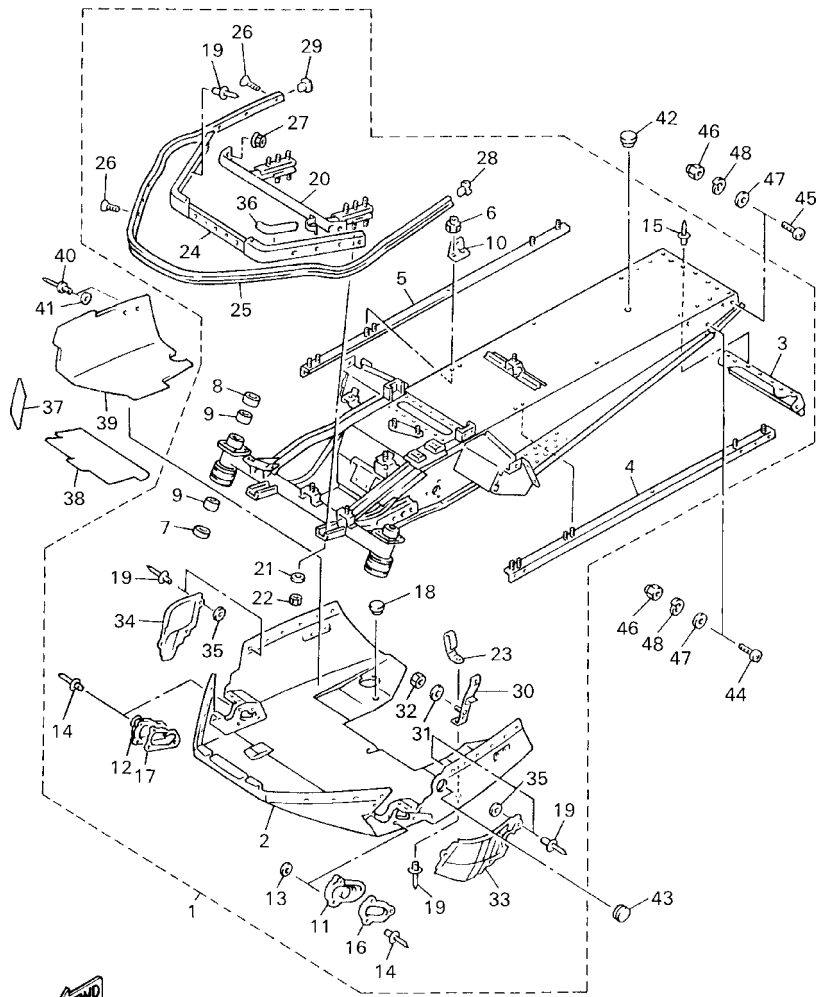


REF. NO.	PART NO.	DESCRIPTION	USA	CAN	EUR	JPN	REMARKS
1	85L-21751-03	TANK, OIL	1	1	1	1	
2	863-21771-00	BODY, CAP	1	1	1	1	
3	90430-31003	GASKET	1	1	1	1	
4	90446-09355	HOSE	1	1	1	1	
5	91A30-05030	TUBE, FLEXIBLE VINYL	1	1	1	1	
6	91A30-05042	TUBE, FLEXIBLE VINYL	1	1	1	1	
7	91A30-07020	TUBE, FLEXIBLE VINYL	1	1	1	1	
8	91A30-05090	TUBE, FLEXIBLE VINYL	1	1	1	1	
9	90501-083J9	SPRING, COMPRESSION	1	1	1	1	
10	8H8-24376-00	PIPE, JOINT 1	1	1	1	1	
11	801-24376-00	PIPE, JOINT 1	1	1	1	1	
12	90467-09026	CLIP	1	1	1	1	
13	90467-11028	CLIP	1	1	1	1	
14	8G8-13410-00	STRAINER HOUSING ASSY	1	1	1	1	
15	95807-06020	BOLT, FLANGE	1	1	1	1	
16	90387-06681	COLLAR	1	1	1	1	
17	89X-2193F-00	BRACKET, OIL TANK 2	1	1	1	1	
18	95807-08016	BOLT, FLANGE	2	2	2	2	
19	90119-06094	BOLT, WITH WASHER	1	1	1	1	
20	89X-15752-00	ROLLER, WIRE	1	1	1	1	
21	90387-064Y0	COLLAR	1	1	1	1	
22	90249-06222	PIN	1	1	1	1	
23	99001-04600	CIRCLIP	1	1	1	1	
24	89X-15758-00	GUIDE, ROPE	1	1	1	1	
25	90467-11009	CLIP	1	1	1	1	



8BY3100-6140

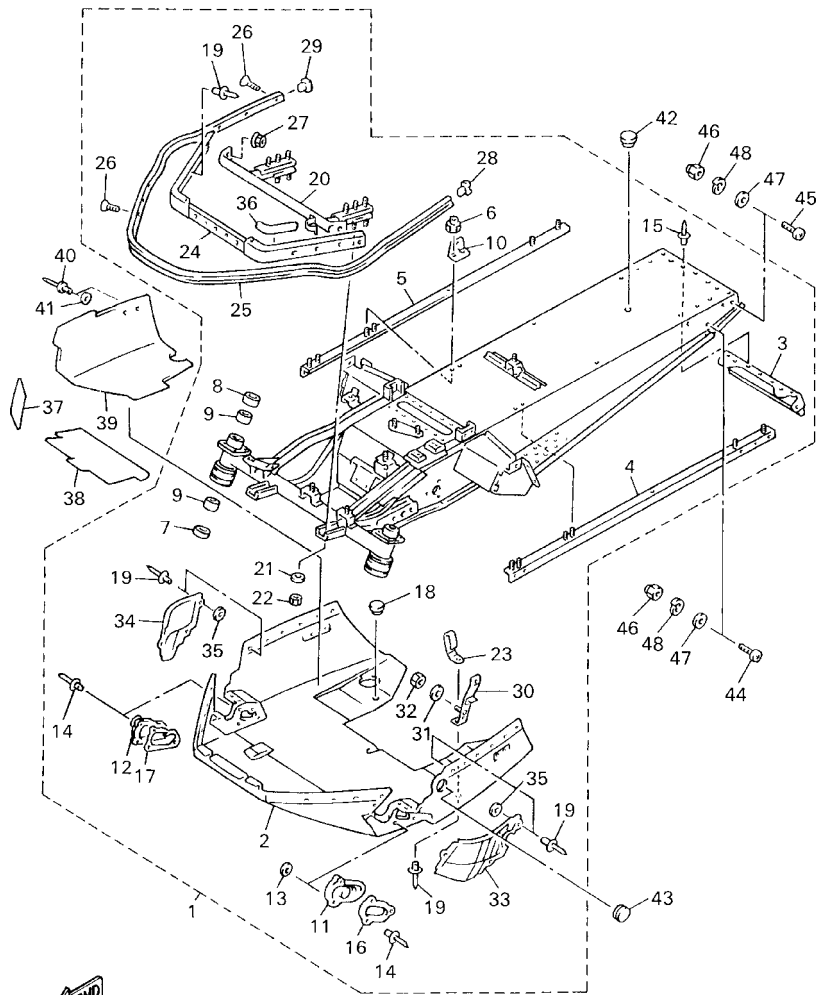
FIG. 15 FRAME



8BY3100-6150

REF. NO.	PART NO.	DESCRIPTION	USA	CAN	EUR	JPN	REMARKS
1	89Y-21910-00	FRAME COMP.	1	1	1	1	
2	89X-21912-00	.PANEL, SUB FRAME 1	1	1	1	1	
3	8X0-21923-00	.REINFORCEMENT, FRAME REAR 1	1	1	1	1	
4	89X-21964-00	.PATCH 4	1	1	1	1	
5	89X-21965-00	.PATCH 5	1	1	1	1	
6	95707-06300	.NUT, FLANGE	4	4	4	4	
7	93103-36117	.OIL SEAL	2	2	2	2	
8	93102-36232	.OIL SEAL	2	2	2	2	
9	90384-36134	.BUSH, BIMETAL FORMED	4	4	4	4	
10	8V0-21946-00	.BRACKET, SEAT FITTING	2	2	2	2	
11	8M6-2198F-00	.COVER 1	1	1	1	1	
12	80L-2198G-00	.COVER 2	1	1	1	1	
13	90201-043H5	.WASHER, PLATE	3	3	3	3	
14	90267-40029	.RIVET, BLIND	7	7	7	7	
15	90269-04019	.RIVET	1	1	1	1	UN(QTY:122)
16	8M6-21998-00	.SPACER	1	1	1	1	
17	80L-77526-00	.WASHER 2	1	1	1	1	
18	80F-21998-00	.SPACER	2	2	2	2	
19	90267-48141	.RIVET, BLIND	29	29	29	29	
20	89X-77512-00	.BUMPER, FRONT 2	1	1	1	1	
21	90201-083A6	.WASHER, PLATE	4	4	4	4	
22	95717-08300	.NUT, FLANGE	4	4	4	4	
23	90465-08368	.CLAMP	1	1	1	1	
24	89X-77153-00	.PLATE, BACK UP 1	1	1	1	1	
25	89X-77511-00	.BUMPER, FRONT 1	1	1	1	1	
26	90151-08051	.SCREW, COUNTERSUNK	4	4	4	4	
27	95707-08500	.NUT, FLANGE	2	2	2	2	

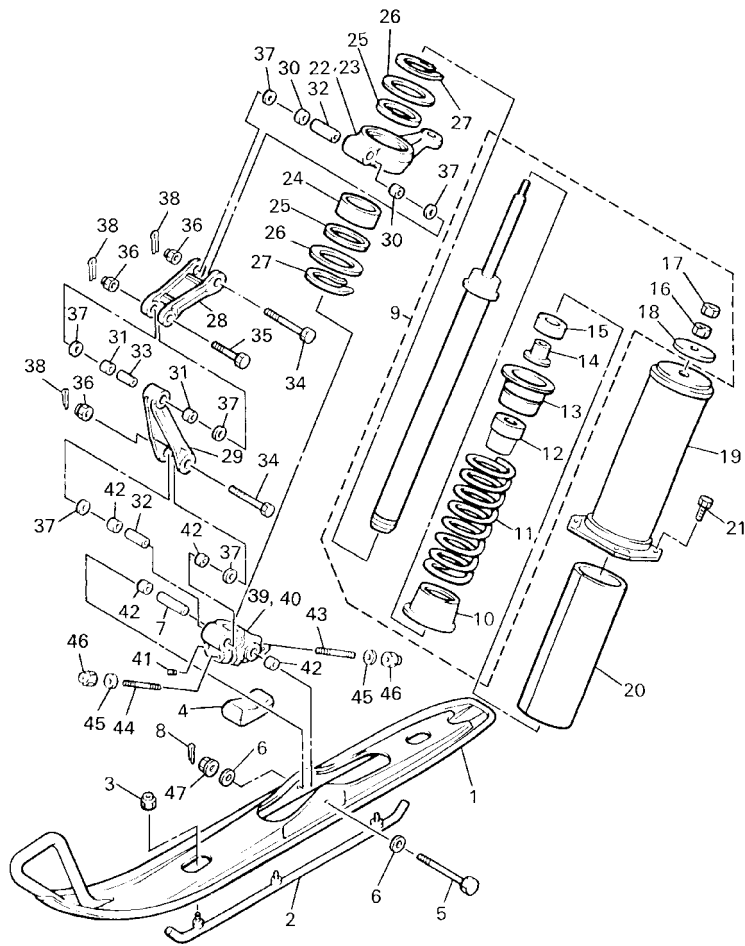
FIG. 15 FRAME



8BY3100-6150

REF. NO.	PART NO.	DESCRIPTION	USA	CAN	EUR	JPN	REMARKS
28	89X-77523-00	.END, BUMPER	1	1	1	1	
29	89X-77524-00	.END, BUMPER	1	1	1	1	
30	89X-77338-00	.STAY, BELT	1	1	1	1	
31	90201-06042	.WASHER, PLATE	1	1	1	1	
32	95307-06600	.NUT	1	1	1	1	
33	89X-2198F-00	.COVER 1	1	1	1	1	
34	89X-2198G-00	.COVER 2	1	1	1	1	
35	90201-04325	.WASHER, PLATE	6	6	6	6	
36	89X-21978-00	.PROTECTOR, FRAME	1	1	1	1	
37	89X-2199F-00	SHIELD, NOISE	1	1	1	1	
38	89X-2199H-00	SHIELD, HEAT	1	1	1	1	
39	89X-2199J-00	SHIELD, NOISE 2	1	1	1	1	
40	90267-48141	RIVET, BLIND	2	2	2	2	
41	90201-04325	WASHER, PLATE	2	2	2	2	
42	810-77716-00	ORNAMENT, INSTRUMENT PANEL 2	1	1	1	1	
43	90338-44093	PLUG	1	1	1	1	
44	98907-08014	SCREW, BIND	2	2	2	2	
45	98907-08016	SCREW, BIND	2	2	2	2	
46	95304-08800	NUT, CROWN	4	4	4	4	
47	92907-08200	WASHER	4	4	4	4	
48	92907-08100	WASHER, SPRING	4	4	4	4	

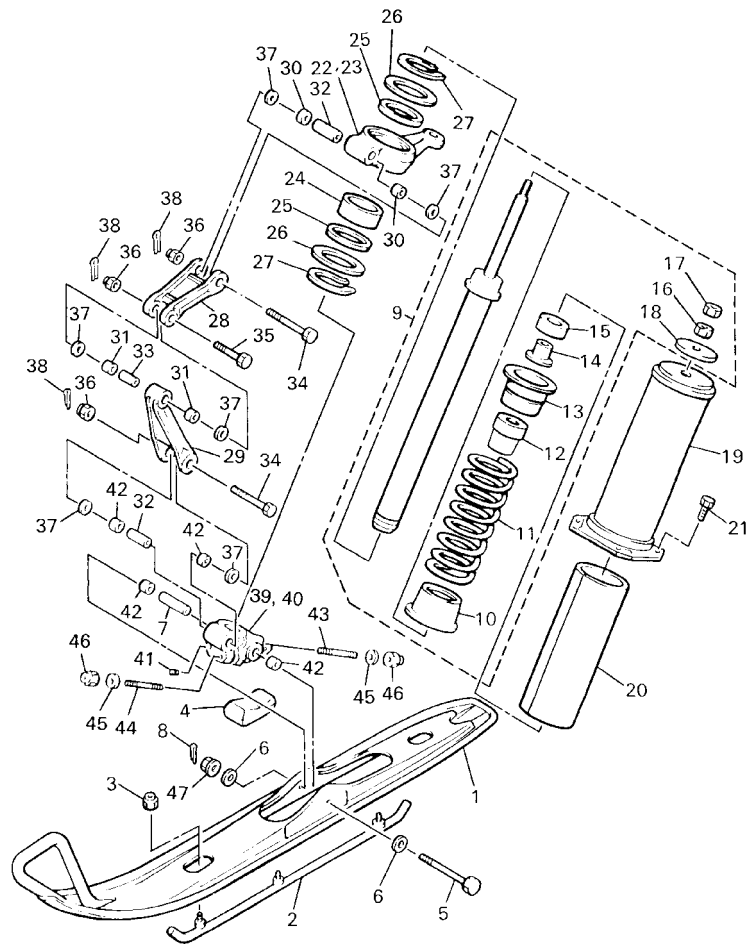
FIG. 16 SKI



8BY6100-9160

REF. NO.	PART NO.	DESCRIPTION	USA	CAN	EUR	JPN	REMARKS
1	88T-23710-01	SKI COMP. 1	2	2	2	2	
2	88T-23731-00	RUNNER 1	2	2	2	2	
3	95607-08200	NUT, SELF-LOCKING	6	6	6	6	
4	88T-23743-00	STOPPER 1	2	2	2	2	
5	90102-10050	BOLT, WITH HOLE	2	2	2	2	
6	90201-10430	WASHER, PLATE	4	4	4	4	
7	90387-106J3	COLLAR	2	2	2	2	
8	91401-20020	PIN, COTTER	2	2	2	2	
9	87F-2376A-00	ABSORBER ASSY 1	2	2	2	2	
10	82M-23777-00	.SEAT, SPRING 2	1	1	1	1	
11	90501-787F4	.SPRING, COMPRESSION	1	1	1	1	
12	87F-22493-00	.BUMP, STOP	1	1	1	1	
13	8L0-23788-00	.PLATE, BACK UP	1	1	1	1	
14	90387-084R1	.COLLAR	1	1	1	1	
15	82M-23779-00	.WASHER	1	1	1	1	
16	90170-08220	.NUT	1	1	1	1	
17	95303-08600	.NUT	1	1	1	1	
18	90201-080L1	.WASHER, PLATE	1	1	1	1	
19	89X-2376J-00	HOLDER, ABSORBER	2	2	2	2	
20	8L0-2376R-00	PROTECTOR	2	2	2	2	
21	90101-06752	BOLT	8	8	8	8	
22	87F-23851-01	ARM, OUTSIDE 1	1	1	1	1	
23	87F-23852-01	ARM, OUTSIDE 2	1	1	1	1	
24	90384-53175	BUSH, BIMETAL FORMED	2	2	2	2	
25	93109-53036	OIL SEAL	4	4	4	4	
26	90201-536A1	WASHER, PLATE (T=1.0)	4	4	4	4	UR UN
	90201-535H6	WASHER, PLATE (T=2.0)	4	4	4	4	UR UN

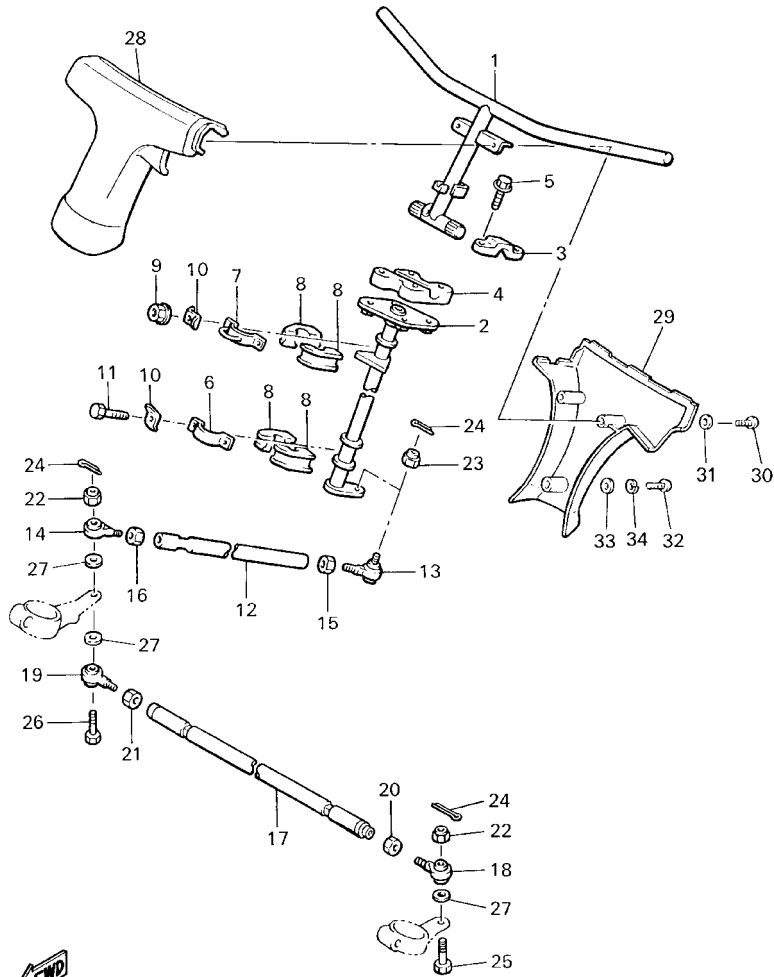
FIG. 16 SKI



8BY6100-9160

REF. NO.	PART NO.	DESCRIPTION	USA	CAN	EUR	JPN	REMARKS
27	93410-52061	CIRCLIP	4	4	4	4	
28	8L0-2382E-01	ARM, FRONT 1	2	2	2	2	
29	8L0-2382F-00	ARM, FRONT 2	2	2	2	2	
30	90384-14091	BUSH, BIMETAL FORMED	4	4	4	4	
31	90384-14096	BUSH, BIMETAL FORMED	4	4	4	4	
32	90387-101Y9	COLLAR	4	4	4	4	
33	90387-100A4	COLLAR	2	2	2	2	
34	90102-10039	BOLT, WITH HOLE	4	4	4	4	
35	90102-10067	BOLT, WITH HOLE	2	2	2	2	
36	95707-10300	NUT, FLANGE	6	6	6	6	
37	90202-14037	WASHER, PLATE	12	12	12	12	
38	91401-20020	PIN, COTTER	6	6	6	6	
39	84M-2376E-00	BRACKET 1	1	1	1	1	
40	84M-2377E-00	BRACKET 2	1	1	1	1	
41	90113-06039	BOLT, SET	2	2	2	2	
42	90384-14091	BUSH, BIMETAL FORMED	8	8	8	8	
43	95617-08655	BOLT, STUD	2	2	2	2	
44	95617-08640	BOLT, STUD	2	2	2	2	
45	92907-08600	WASHER, PLATE	4	4	4	4	
46	95707-08300	NUT, FLANGE	4	4	4	4	
47	95707-10300	NUT, FLANGE	2	2	2	2	

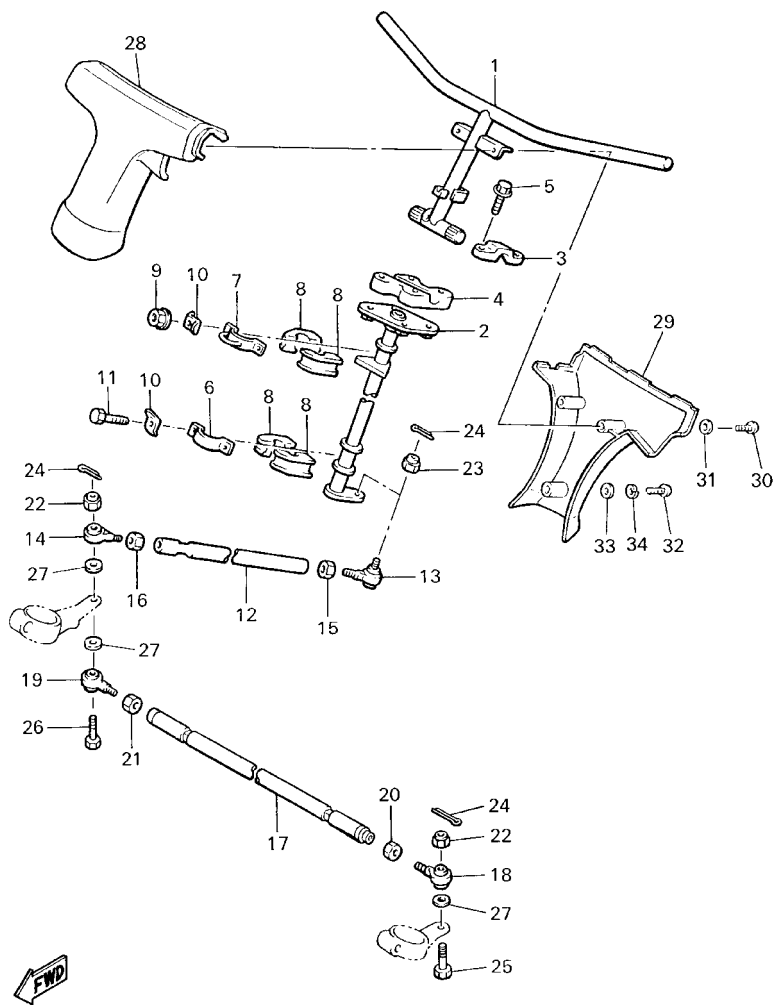
FIG. 17 STEERING



8BY4100-7170

REF. NO.	PART NO.	DESCRIPTION	USA	CAN	EUR	JPN	REMARKS
1	8BE-23811-00	COLUMN, STEERING	1	1	1	1	
2	89X-23813-01	COLUMN, STEERING 2	1	1	1	1	
3	8K1-23814-00	HOLDER, HANDLE	2	2	2	2	
4	8G5-23814-00	HOLDER,HANDLE UNDER	1	1	1	1	
5	95827-08055	BOLT, FLANGE	4	4	4	4	
6	84M-23868-00	BRACKET, STEERING LOWER	1	1	1	1	
7	84M-23872-00	HOLDER, BEARING	1	1	1	1	
8	8F3-23812-00	PLANE BEARING, STEERING	4	4	4	4	
9	95707-08300	NUT, FLANGE	2	2	2	2	
10	90215-08262	WASHER, LOCK	4	4	4	4	
11	97017-08020	BOLT	2	2	2	2	
12	87F-23821-00	ROD, STEERING RELAY	1	1	1	1	
13	86X-23841-00	JOINT, UNIVERSAL 1	1	1	1	1	
14	87S-23847-00	JOINT, UNIVERSAL 3	1	1	1	1	(L.H. THREAD)
15	95307-10700	NUT	1	1	1	1	
16	90170-10186	NUT	1	1	1	1	(L.H. THREAD)
17	89X-23831-00	ROD, TIE	1	1	1	1	
18	87S-23845-00	JOINT, UNIVERSAL 2	1	1	1	1	
19	87S-23847-00	JOINT, UNIVERSAL 3	1	1	1	1	(L.H. THREAD)
20	95307-10700	NUT	1	1	1	1	
21	90170-10186	NUT	1	1	1	1	(L.H. THREAD)
22	95707-10300	NUT, FLANGE	2	2	2	2	
23	90185-10085	NUT, SELF-LOCKING	1	1	1	1	
24	91401-25020	PIN, COTTER	3	3	3	3	
25	90102-10044	BOLT, WITH HOLE	1	1	1	1	
26	90102-10067	BOLT, WITH HOLE	1	1	1	1	
27	90201-08759	WASHER, PLATE	3	3	3	3	

FIG. 17 STEERING

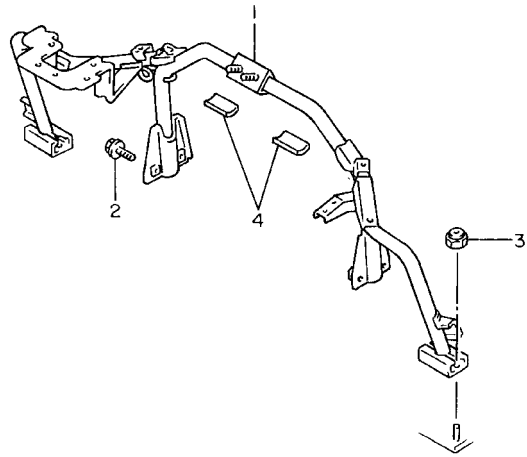


8BY4100-7170

REF. NO.	PART NO.	DESCRIPTION	USA	CAN	EUR	JPN	REMARKS
28	8W9-23815-00	PAD, STEERING	1	1	1	1	
29	88E-23817-00	PAD, STEERING	1	1	1	1	
30	98507-05030	SCREW, PAN HEAD	2	2	2	2	
31	92907-05600	WASHER, PLATE	2	2	2	2	
32	98507-05008	SCREW, PAN HEAD	1	1	1	1	
33	92907-05200	WASHER	1	1	1	1	
34	92907-05100	WASHER, SPRING	1	1	1	1	

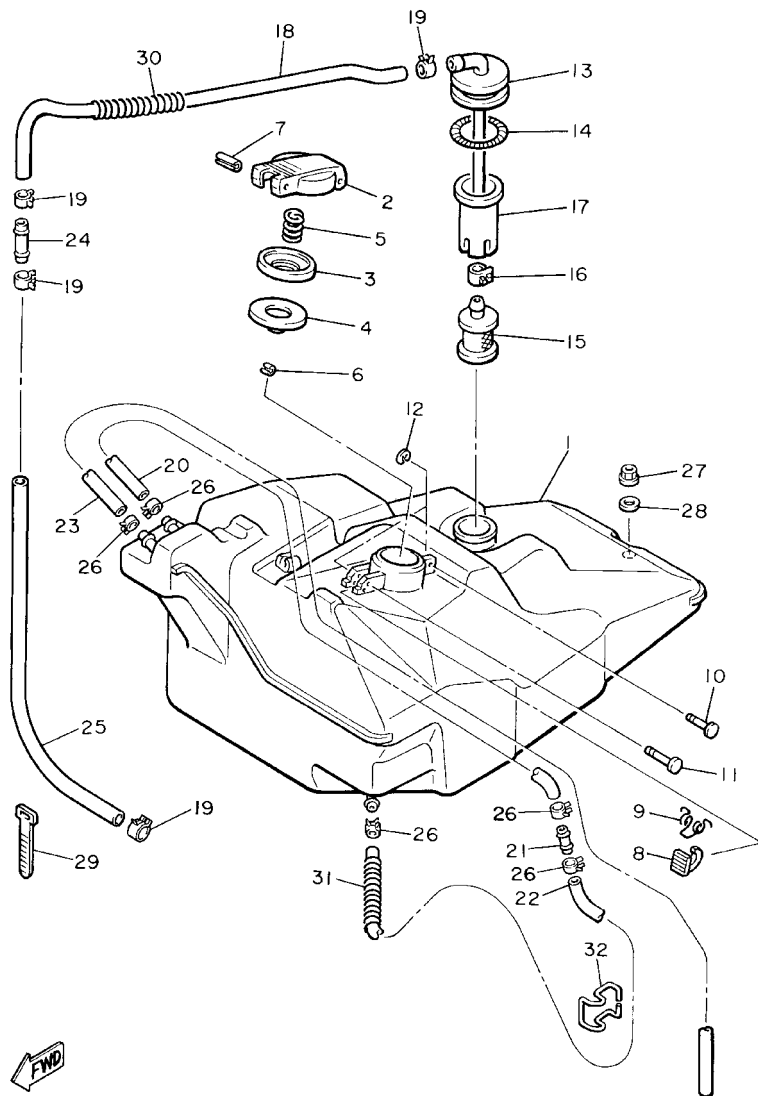
FIG. 18 STEERING GATE

REF. NO.	PART NO.	DESCRIPTION	USA	CAN	EUR	JPN	REMARKS
1	89X-23870-00	STEERING GATE COMP.	1	1	1	1	
2	95817-08012	BOLT, FLANGE	4	4	4	4	
3	95607-06200	NUT, SELF U-FLANGE	4	4	4	4	
4	8V0-23858-00	SPACER	2	2	2	2	



89X100-2180

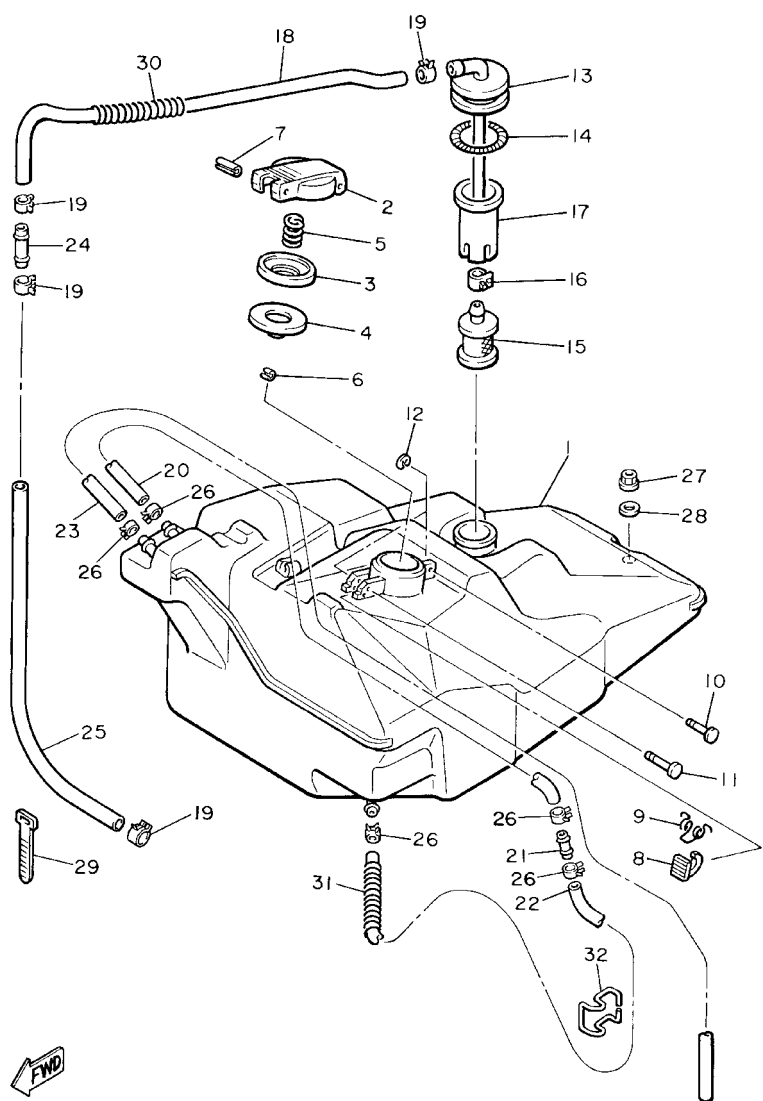
FIG. 19 FUEL TANK



8BY2100-5190

REF. NO.	PART NO.	DESCRIPTION	USA	CAN	EUR	JPN	REMARKS
1	85L-24111-01	TANK, FUEL	1	1	1	1	
2	8W6-24611-00	BODY, CAP	1	1	1	1	
3	813-24613-01	DISC, CAP	1	1	1	1	
4	8F7-24641-00	GASKET, CAP 1	1	1	1	1	
5	90501-20130	SPRING, COMPRESSION	1	1	1	1	
6	91609-30016	PIN, SPRING	1	1	1	1	
7	91609-25050	PIN, SPRING	1	1	1	1	
8	83M-24628-00	HOOK	1	1	1	1	
9	90508-10715	SPRING, TORSION	1	1	1	1	
10	90249-03175	PIN	1	1	1	1	
11	90249-03017	PIN	1	1	1	1	
12	93430-02001	CIRCLIP	2	2	2	2	
13	8V0-24335-01	PIPE, SUCTION 1	1	1	1	1	
14	90506-06065	SPRING, TENSION	1	1	1	1	
15	8H5-24560-00	FILTER ASSY	1	1	1	1	
16	90467-11028	CLIP	1	1	1	1	
17	8V0-24336-00	PIPE, SUCTION 2	1	1	1	1	
18	90445-113K4	HOSE (L480)	1	1	1	1	
19	90467-11028	CLIP	4	4	4	4	
20	90445-091K4	HOSE (L485)	1	1	1	1	
21	8H8-24376-00	PIPE, JOINT 1	1	1	1	1	
22	91A20-05056	TUBE, FLEXIBLE VINYL	1	1		1	
	90445-09690	HOSE (L550)			1		
23	90446-09316	HOSE	1	1	1	1	
24	878-24379-00	PIPE, JOINT 4	1	1	1	1	
25	90445-117E3	HOSE (L175)	1	1	1	1	
26	90467-09026	CLIP	5	5	5	5	

FIG. 19 FUEL TANK

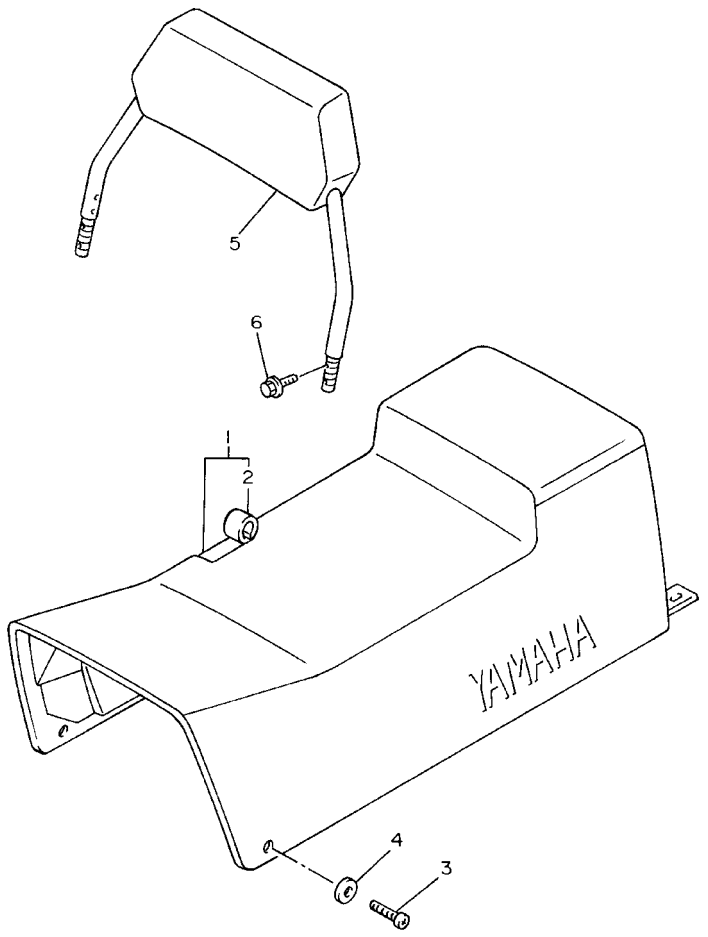


8BY2100-5190

REF. NO.	PART NO.	DESCRIPTION	USA	CAN	EUR	JPN	REMARKS
27	95707-08300	NUT, FLANGE	1	1	1	1	
28	90201-08784	WASHER, PLATE	1	1	1	1	
29	341-26397-01	BAND	2	2	2	2	
30	90501-084J1	SPRING, COMPRESSION	1	1	1	1	
31	90501-083J8	SPRING, COMPRESSION	1	1	1	1	
32	87D-24135-00	CLAMP 1	1	1	1	1	

FIG. 20 SEAT

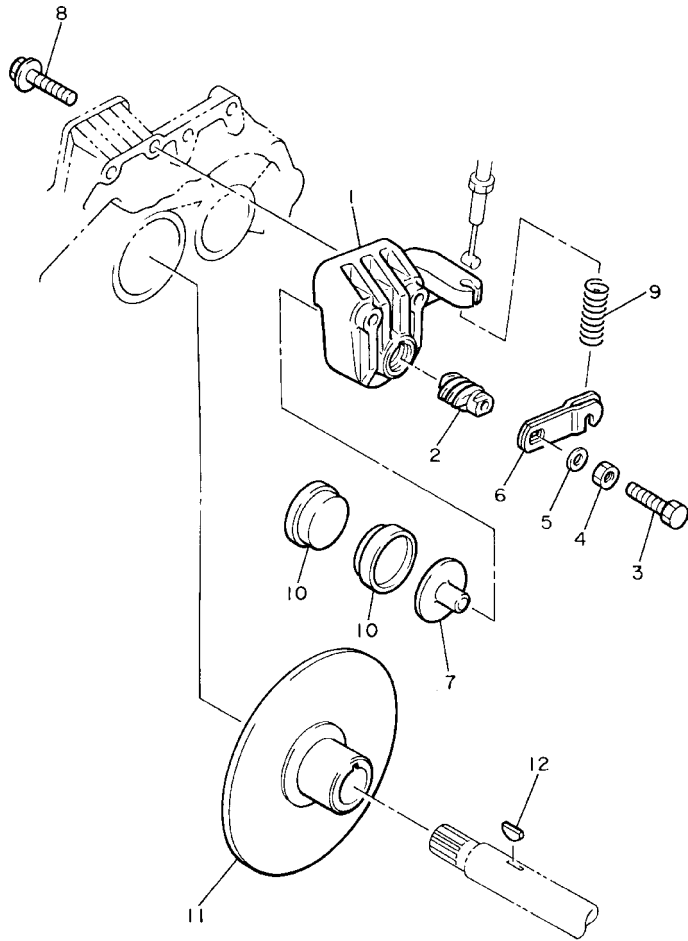
REF. NO.	PART NO.	DESCRIPTION	USA	CAN	EUR	JPN	REMARKS
1	89X-24730-01	DOUBLE SEAT ASSY	1	1	1	1	
2	89X-24731-01	.COVER, SEAT	1	1	1	1	
3	98907-06020	SCREW, BIND	2	2	2	2	
4	90201-06071	WASHER, PLATE	2	2	2	2	
5	82U-24790-00	SEAT BACK ASSY	1	1	1	1	
6	90105-06437	BOLT, WASHER BASED	4	4	4	4	



FWD
89X100-2200

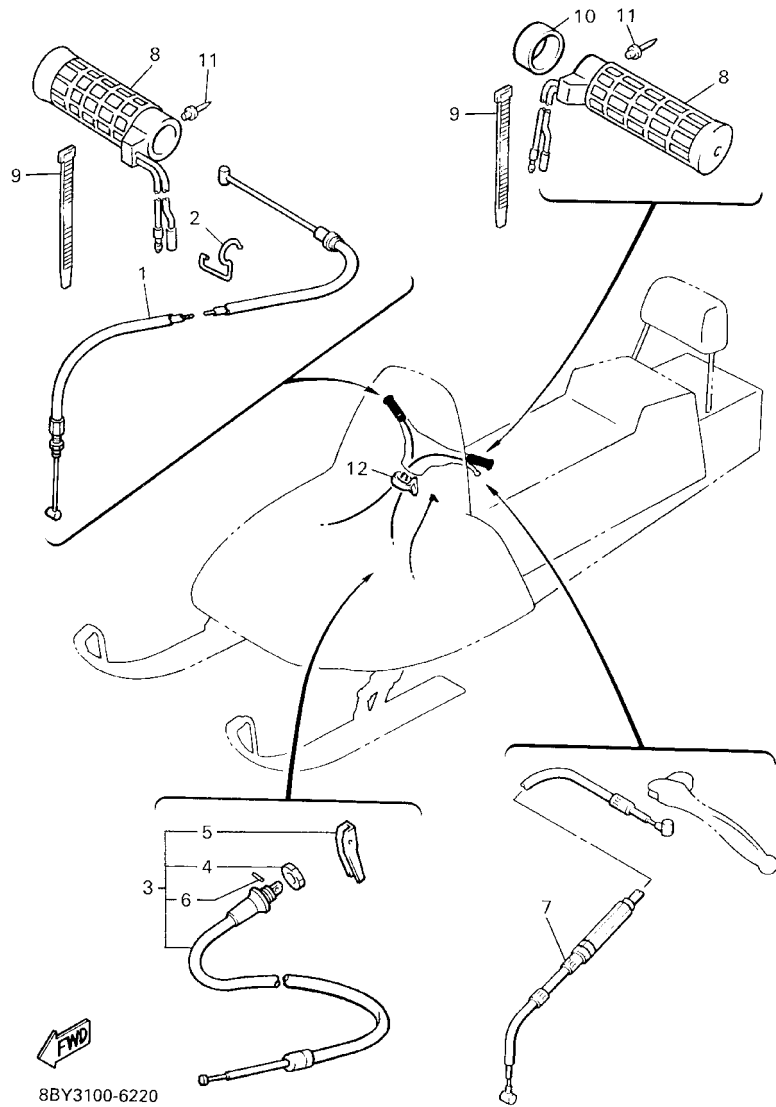
FIG. 21 BRAKE

REF. NO.	PART NO.	DESCRIPTION	USA	CAN	EUR	JPN	REMARKS
1	84R-25731-00	BODY, CALIPER 1	1	1	1	1	
2	878-25728-00	CAM	1	1	1	1	
3	90101-08499	BOLT	1	1	1	1	
4	95307-08700	NUT	1	1	1	1	
5	92907-08600	WASHER, PLATE	1	1	1	1	
6	878-25726-00	LEVER, BRAKE	1	1	1	1	
7	878-25733-00	PLATE, BACK UP	1	1	1	1	
8	95827-10060	BOLT, FLANGE	2	2	2	2	
9	90501-23337	SPRING, COMPRESSION	1	1	1	1	
10	89J-25811-00	PAD, CALIPER 2	2	2	2	2	
11	89X-25711-00	DISC, BRAKE	1	1	1	1	
12	90281-07004	KEY, SLIDING	1	1	1	1	



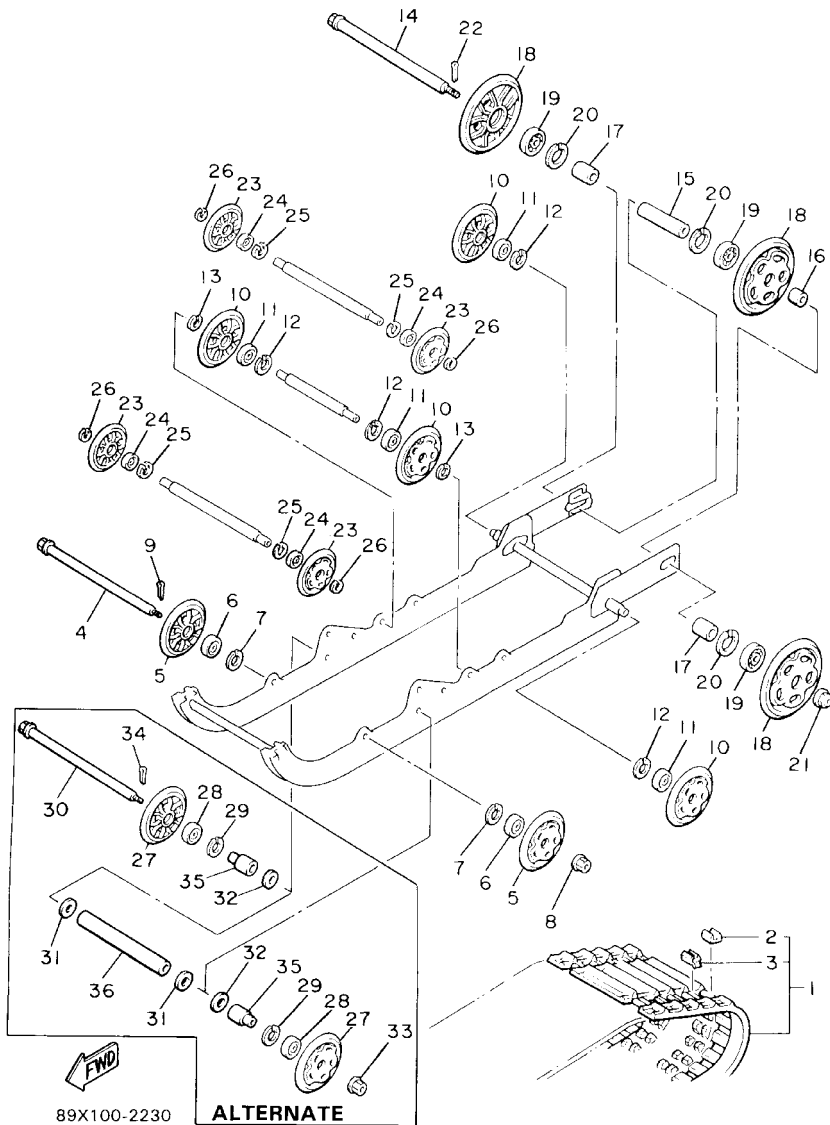
8BY4100-7210

FIG. 22 CONTROL CABLE



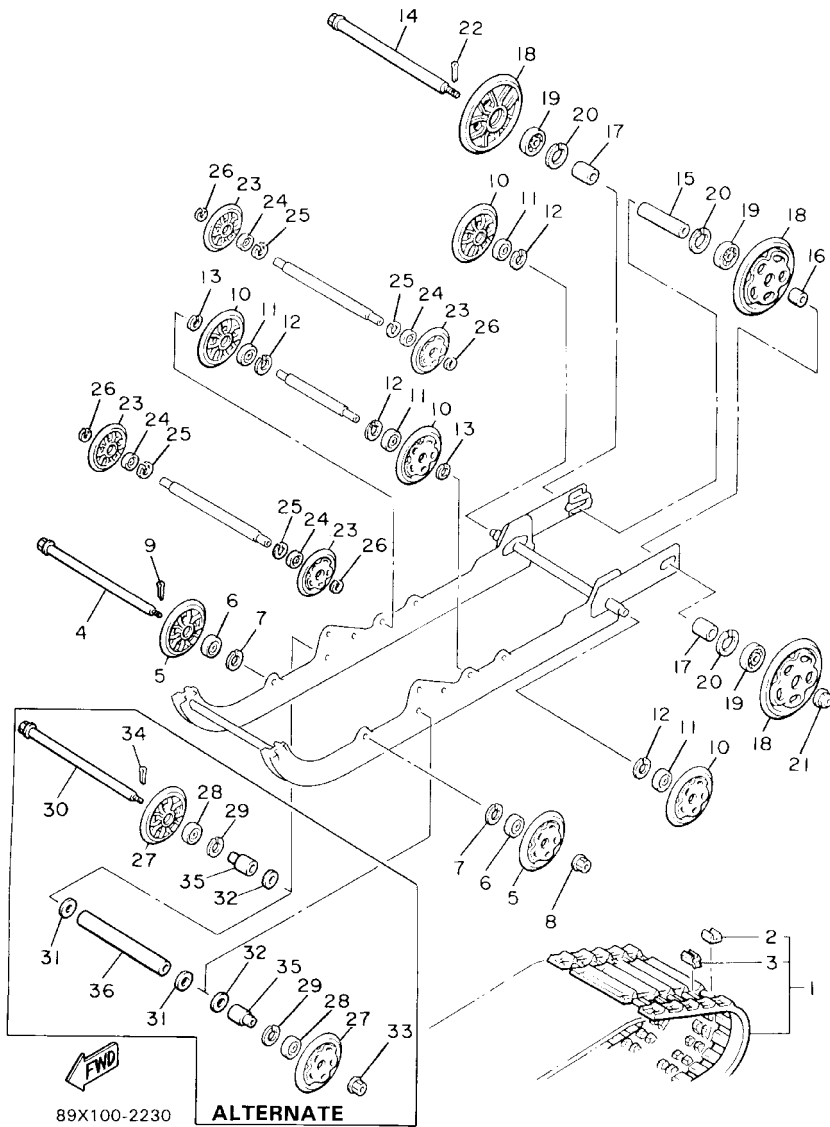
REF. NO.	PART NO.	DESCRIPTION	USA	CAN	EUR	JPN	REMARKS
1	85L-26311-01	CABLE, THROTTLE 1	1	1	1	1	
2	90465-10189	CLAMP	1	1	1	1	
3	89X-26331-00	CABLE, STARTER 1	1	1	1	1	
4	8G8-26333-00	.NUT	1	1	1	1	
5	8U9-26325-00	.KNOB, STARTER	1	1	1	1	
6	91609-30010	.PIN, SPRING	1	1	1	1	
7	89X-26340-00	CABLE, BRAKE	1	1	1	1	
8	88T-26240-00	GRIP ASSY	2	2	2	2	
9	437-83936-01	BAND, SWITCH CORD	2	2	2	2	
10	90387-22726	COLLAR	1	1	1	1	
11	90267-40076	RIVET, BLIND	2	2	2	2	
12	341-26397-01	BAND	1	1	1	1	

FIG. 23 TRACK SUSPENSION 1



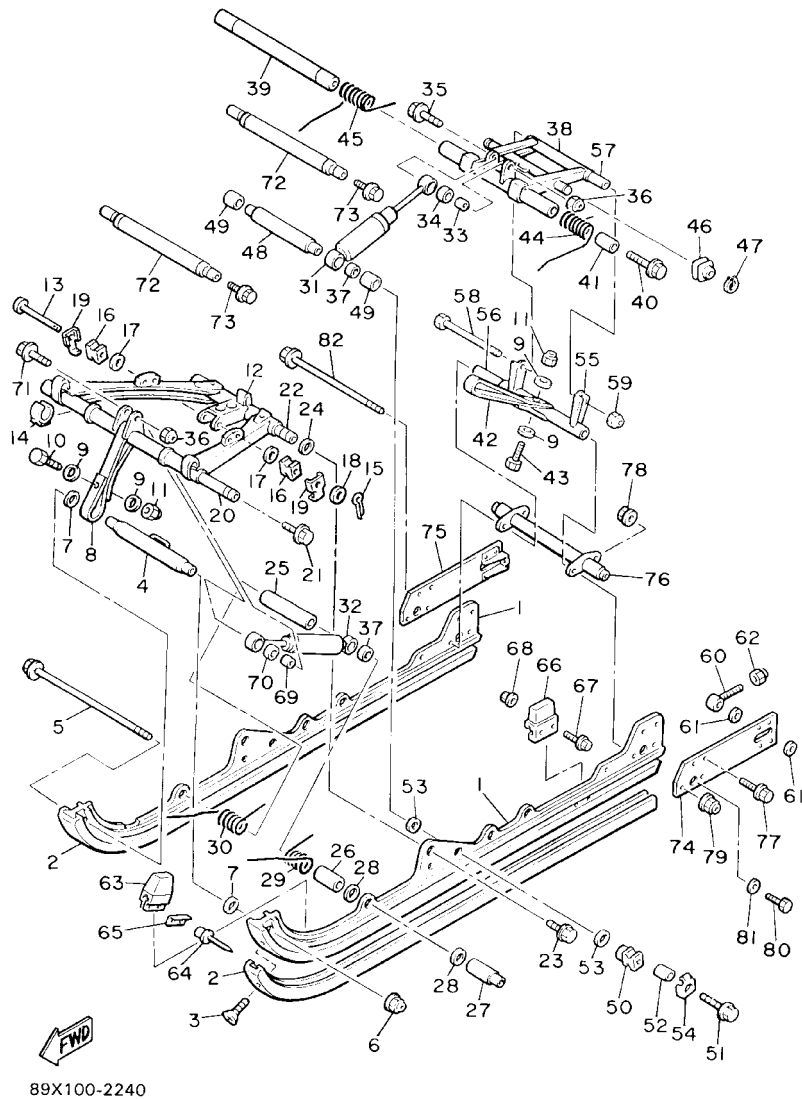
REF. NO.	PART NO.	DESCRIPTION	USA	CAN	EUR	JPN	REMARKS
1	8BN-47110-10	TRACK ASSY	1	1	1	1	
2	8CR-47113-00	.PLATE, REINFORCEMENT	54	54	54	54	
3	8CR-47115-00	.METAL, SLIDE	54	54	54	54	
4	80X-47487-00	SHAFT 5	1	1	1	1	
5	87M-47320-00	SUSPENSION WHEEL COMP.	2	2	2	2	
6	93306-00444	BEARING	2	2	2	2	
7	99009-42500	CIRCLIP	2	2	2	2	
8	95607-14200	NUT, SELF-LOCKING	1	1	1	1	
9	91401-30025	PIN, COTTER	1	1	1	1	
10	87M-47320-00	SUSPENSION WHEEL COMP.	4	4	4	4	
11	93306-00444	BEARING	4	4	4	4	
12	99009-42500	CIRCLIP	4	4	4	4	
13	99009-20400	CIRCLIP	2	2	2	2	
14	83M-47521-00	AXLE, REAR	1	1	1	1	
15	90387-202X4	COLLAR	1	1	1	1	
16	90387-202X5	COLLAR	1	1	1	1	
17	90387-204X2	COLLAR	2	2	2	2	
18	8K2-47530-00	GUIDE WHEEL COMP.	3	3	3	3	
19	93306-20469	BEARING	3	3	3	3	
20	99009-47500	CIRCLIP	3	3	3	3	
21	95607-14200	NUT, SELF-LOCKING	1	1	1	1	
22	91401-30025	PIN, COTTER	1	1	1	1	
23	8H8-47320-00	SUSPENSION WHEEL COMP.	4	4	4	4	
24	93306-00444	BEARING	4	4	4	4	
25	99009-42500	CIRCLIP	4	4	4	4	
26	99009-20400	CIRCLIP	4	4	4	4	
27	87M-47320-00	SUSPENSION WHEEL COMP.	2	2	2	2	AP

FIG. 23 TRACK SUSPENSION 1



REF. NO.	PART NO.	DESCRIPTION	USA	CAN	EUR	JPN	REMARKS
28	93306-00444	BEARING	2	2	2	2	AP
29	99009-42500	CIRCLIP	2	2	2	2	AP
30	82M-47487-00	SHAFT 5	1	1	1	1	AP
31	90201-164P0	WASHER, PLATE	2	2	2	2	AP
32	90201-164H4	WASHER, PLATE	2	2	2	2	AP
33	95607-14200	NUT, SELF-LOCKING	1	1	1	1	AP
34	91401-30025	PIN, COTTER	1	1	1	1	AP
35	90387-166M8	COLLAR	2	2	2	2	AP
36	90387-160M7	COLLAR	1	1	1	1	AP

FIG. 24 TRACK SUSPENSION 2

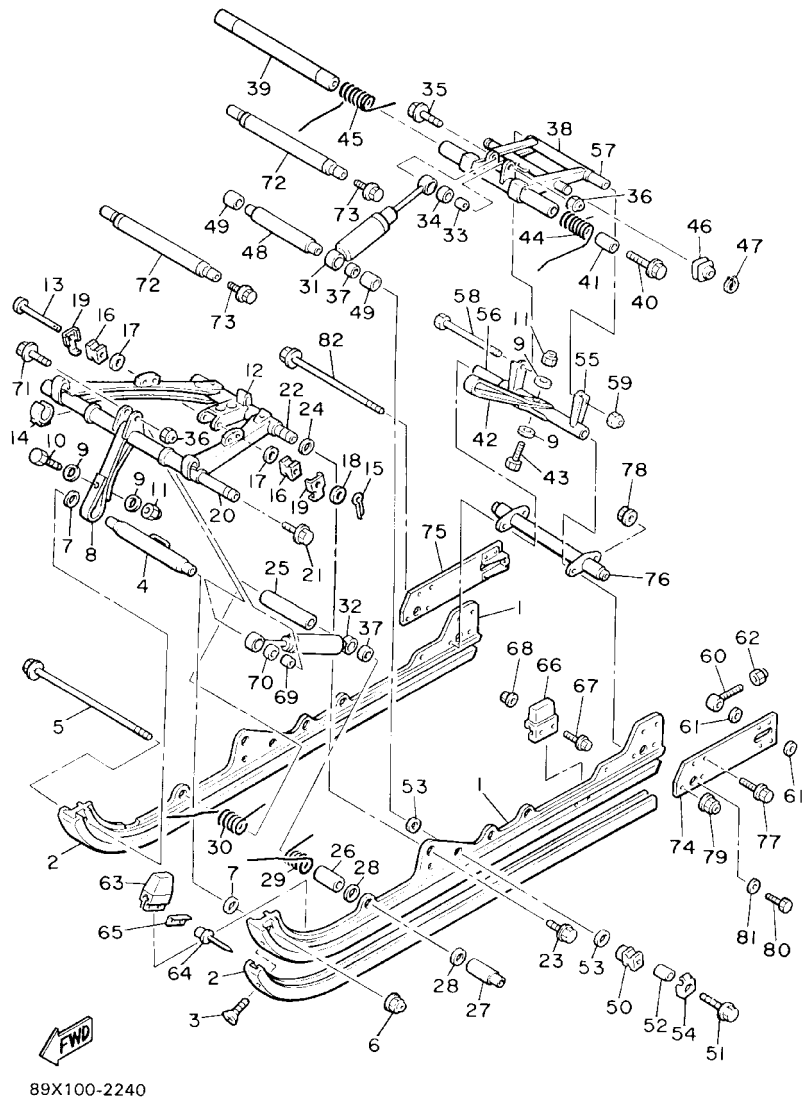


89X100-2240

REF. NO.	PART NO.	DESCRIPTION	USA	CAN	EUR	JPN	REMARKS
1	89X-47411-01	FRAME, SLIDING 1	2	2	2	2	
2	88T-47421-10	RUNNER, SLIDING 1	2	2	2	2	
3	90151-06010	SCREW, COUNTERSUNK	2	2	2	2	
4	8V0-47415-00	BRACKET 1	1	1	1	1	
5	95827-08250	BOLT, FLANGE	1	1	1	1	
6	95607-08200	NUT, SELF-LOCKING	1	1	1	1	
7	92907-08600	WASHER, PLATE	2	2	2	2	
8	89X-47495-00	STOPPER 1	1	1	1	1	
9	90201-06747	WASHER, PLATE	4	4	4	4	
10	97007-06025	BOLT	1	1	1	1	
11	95707-06300	NUT, FLANGE	2	2	2	2	
12	88K-47331-00	ARM, PIVOT 1	1	1	1	1	
13	90240-12107	PIN, CLEVIS	1	1	1	1	
14	8V0-47447-01	HOOK 2	2	2	2	2	
15	91401-30025	PIN, COTTER	1	1	1	1	
16	890-47447-00	HOOK 2	2	2	2	2	
17	90201-12474	WASHER, PLATE	2	2	2	2	
18	92907-12200	WASHER	1	1	1	1	
19	8V0-47467-00	PLATE, GUIDE	2	2	2	2	
20	8A5-47465-02	SHAFT 1	1	1	1	1	
21	90109-10771	BOLT	2	2	2	2	
22	8K2-47485-00	SHAFT 3	1	1	1	1	
23	90105-10433	BOLT, WASHER BASED	2	2	2	2	
24	90387-105G6	COLLAR	2	2	2	2	
25	90387-160M7	COLLAR	1	1	1	1	
26	8V0-47319-00	COLLAR	2	2	2	2	
27	90387-166M8	COLLAR	2	2	2	2	

D6

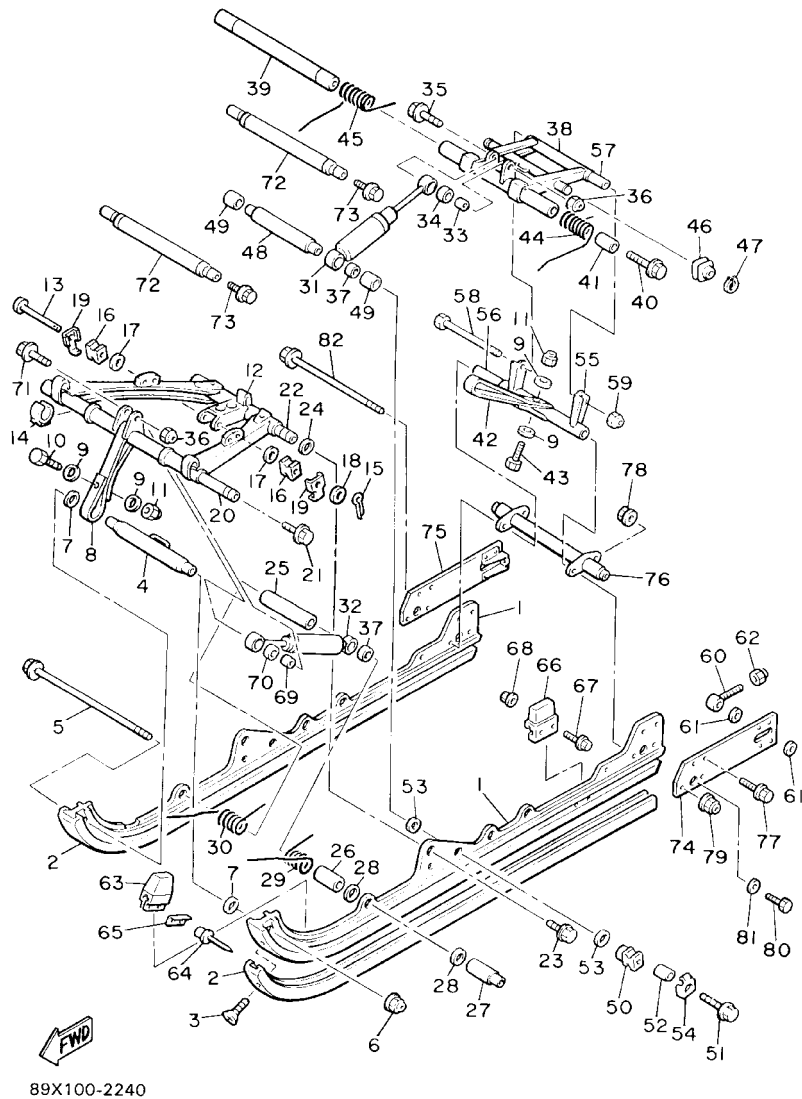
FIG. 24 TRACK SUSPENSION 2



89X100-2240

REF. NO.	PART NO.	DESCRIPTION	USA	CAN	EUR	JPN	REMARKS
28	90201-161E5	WASHER, PLATE	4	4	4	4	
29	89X-47471-00	SPRING, FRONT 1	1	1	1	1	
30	89X-47472-00	SPRING, FRONT 2	1	1	1	1	
31	89X-47480-00	SHOCK ABSORBER	1	1	1	1	
32	89X-47481-00	SHOCK ABSORBER 2	1	1	1	1	
33	90387-084R5	COLLAR	1	1	1	1	
34	90380-12161	BUSH, SOLID	1	1	1	1	
35	95827-08040	BOLT, FLANGE	1	1	1	1	
36	95707-08300	NUT, FLANGE	2	2	2	2	
37	8V0-47371-00	BUSH, PIVOT	2	2	2	2	
38	88T-47332-00	ARM, PIVOT 2	1	1	1	1	
39	88T-47475-00	SHAFT 2	1	1	1	1	
40	90109-10771	BOLT	2	2	2	2	
41	88T-47365-00	COLLAR 1	2	2	2	2	
42	8F2-47495-01	STOPPER 1	1	1	1	1	
43	97007-06035	BOLT	1	1	1	1	
44	89X-47473-00	SPRING, REAR 1	1	1	1	1	
45	89X-47474-00	SPRING, REAR 2	1	1	1	1	
46	86S-47446-01	HOOK 1	2	2	2	2	
47	99009-14400	CIRCLIP	2	2	2	2	
48	84J-47486-00	SHAFT 4	1	1	1	1	
49	8V0-47338-00	COLLAR	2	2	2	2	
50	85K-47447-01	HOOK 2	2	2	2	2	
51	95827-10060	BOLT, FLANGE	2	2	2	2	
52	90387-107T9	COLLAR	2	2	2	2	
53	90201-100L3	WASHER, PLATE	4	4	4	4	
54	84J-47467-00	PLATE, GUIDE	2	2	2	2	

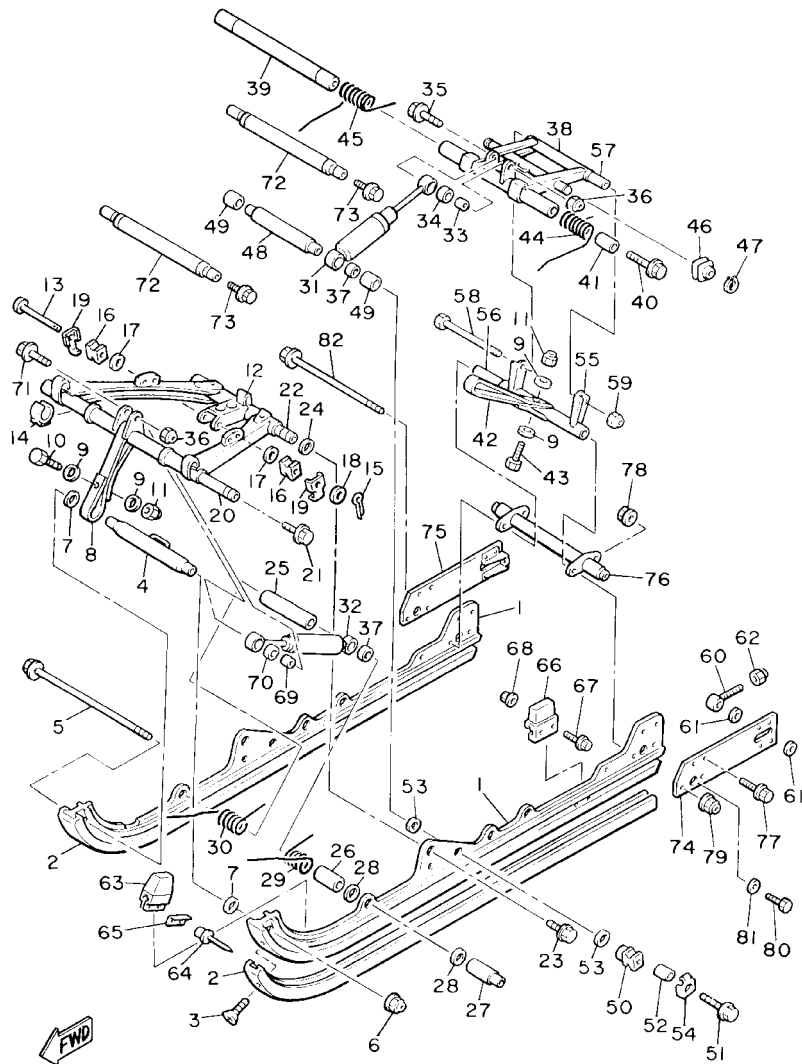
FIG. 24 TRACK SUSPENSION 2



89X100-2240

REF. NO.	PART NO.	DESCRIPTION	USA	CAN	EUR	JPN	REMARKS
55	8V0-47417-00	BRACKET 3	1	1	1	1	
56	90387-08632	COLLAR	1	1	1	1	
57	90387-084J9	COLLAR	1	1	1	1	
58	97027-08165	BOLT	1	1	1	1	
59	95707-08300	NUT, FLANGE	1	1	1	1	
60	8K2-47479-01	COLLAR 3	2	2	2	2	
61	90201-205R6	WASHER, PLATE	4	4	4	4	
62	95707-10300	NUT, FLANGE	2	2	2	2	
63	8V0-47456-00	DAMPER 1	2	2	2	2	
64	90267-48199	RIVET, BLIND	4	4	4	4	
65	8K2-47458-01	PLATE, DAMPER	4	4	4	4	
66	89X-47456-00	DAMPER 1	2	2	2	2	
67	95817-06030	BOLT, FLANGE	4	4	4	4	
68	95607-06200	NUT, SELF U-FLANGE	4	4	4	4	
69	90387-081U4	COLLAR	1	1	1	1	
70	90380-12169	BUSH, SOLID	1	1	1	1	
71	95827-08045	BOLT, FLANGE	1	1	1	1	
72	8L1-47461-00	IDLER	2	2	2	2	
73	90105-08307	BOLT, WASHER BASED	4	4	4	4	
74	89X-W4741-00	FRAME, SLIDING	1	1	1	1	
75	89X-W4741-00	FRAME, SLIDING	1	1	1	1	
76	89X-47451-00	BAR, SUSPENSION	1	1	1	1	
77	95817-10030	BOLT, FLANGE	6	6	6	6	
78	95607-10200	NUT, SELF-LOCKING	6	6	6	6	
79	95607-08200	NUT, SELF-LOCKING	1	1	1	1	
80	90109-08559	BOLT	2	2	2	2	
81	90201-08681	WASHER, PLATE	2	2	2	2	

FIG. 24 TRACK SUSPENSION 2



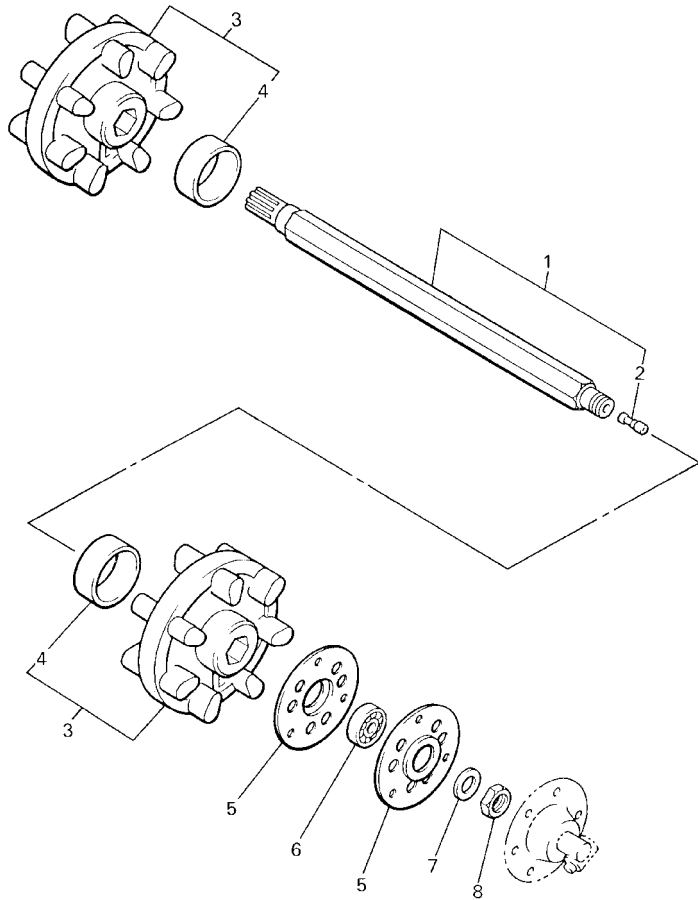
89X100-2240

REF. NO.	PART NO.	DESCRIPTION	USA	CAN	EUR	JPN	REMARKS
82	90105-08325	BOLT, WASHER BASED	1	1	1	1	

D9

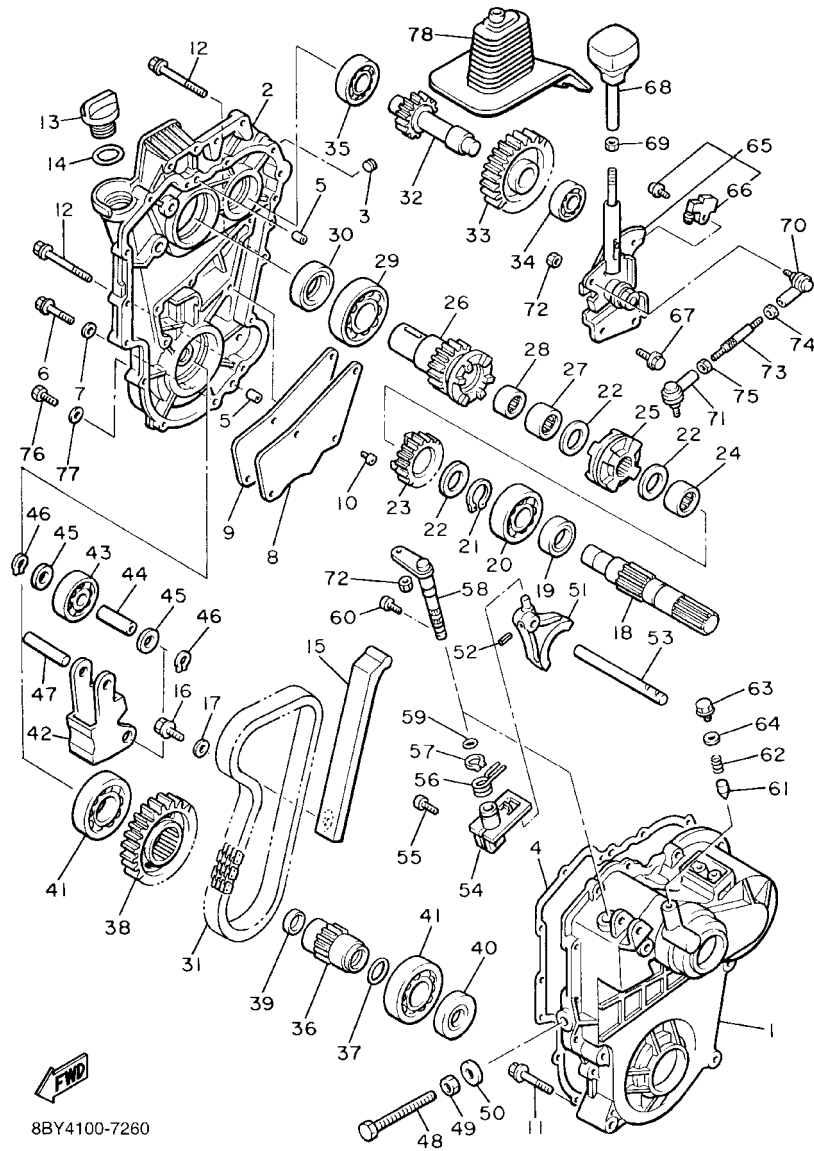
FIG. 25 TRACK DRIVE 1

REF. NO.	PART NO.	DESCRIPTION	USA	CAN	EUR	JPN	REMARKS
1	88T-W4751-00	AXLE, FRONT	1	1	1	1	
2	8K4-47577-00	.CONNECTOR	1	1	1	1	
3	88L-W4753-00	WHEEL, SPROCKET 1	2	2	2	2	
4	90387-514Y2	.COLLAR	1	1	1	1	
5	8K4-47551-00	HOUSING, FRONT AXLE	1	1	1	1	
6	93306-00420	BEARING (B6004)	1	1	1	1	
7	90208-22001	WASHER, CONICAL SPRING	1	1	1	1	
8	90170-22094	NUT	1	1	1	1	



8BY100-4250

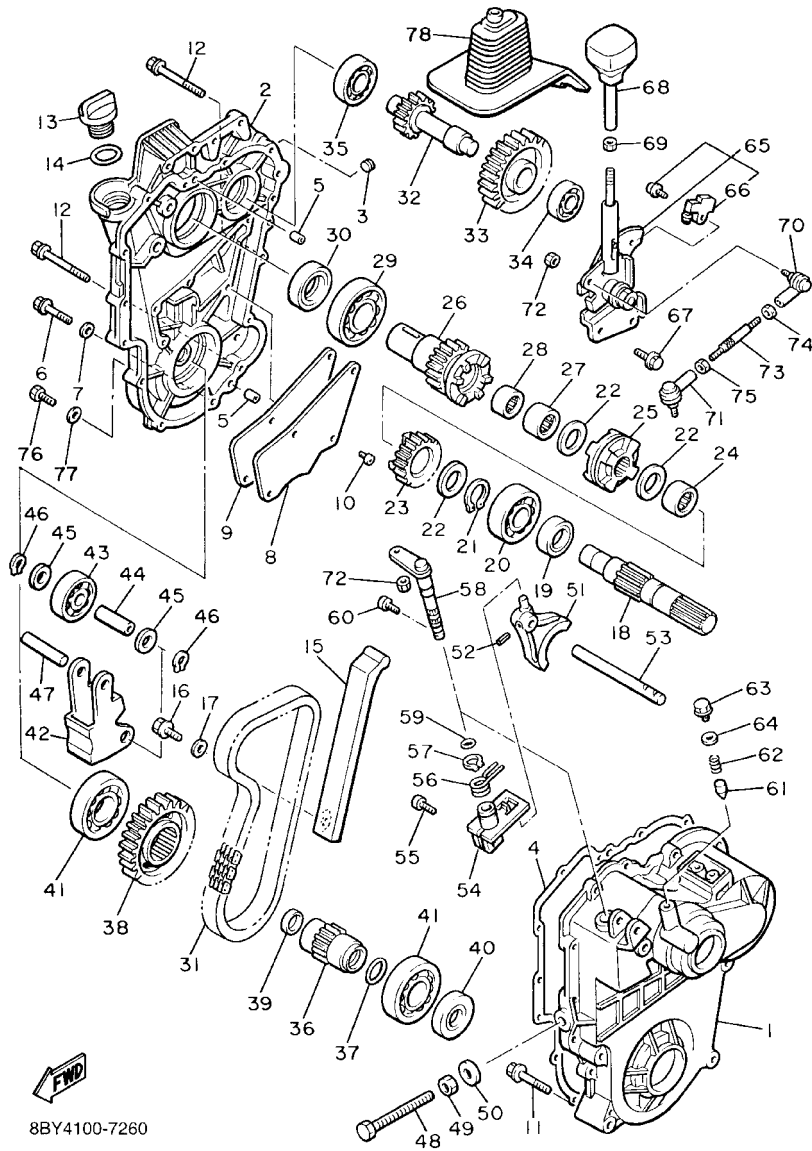
FIG. 26 TRACK DRIVE 2



8BY4100-7260

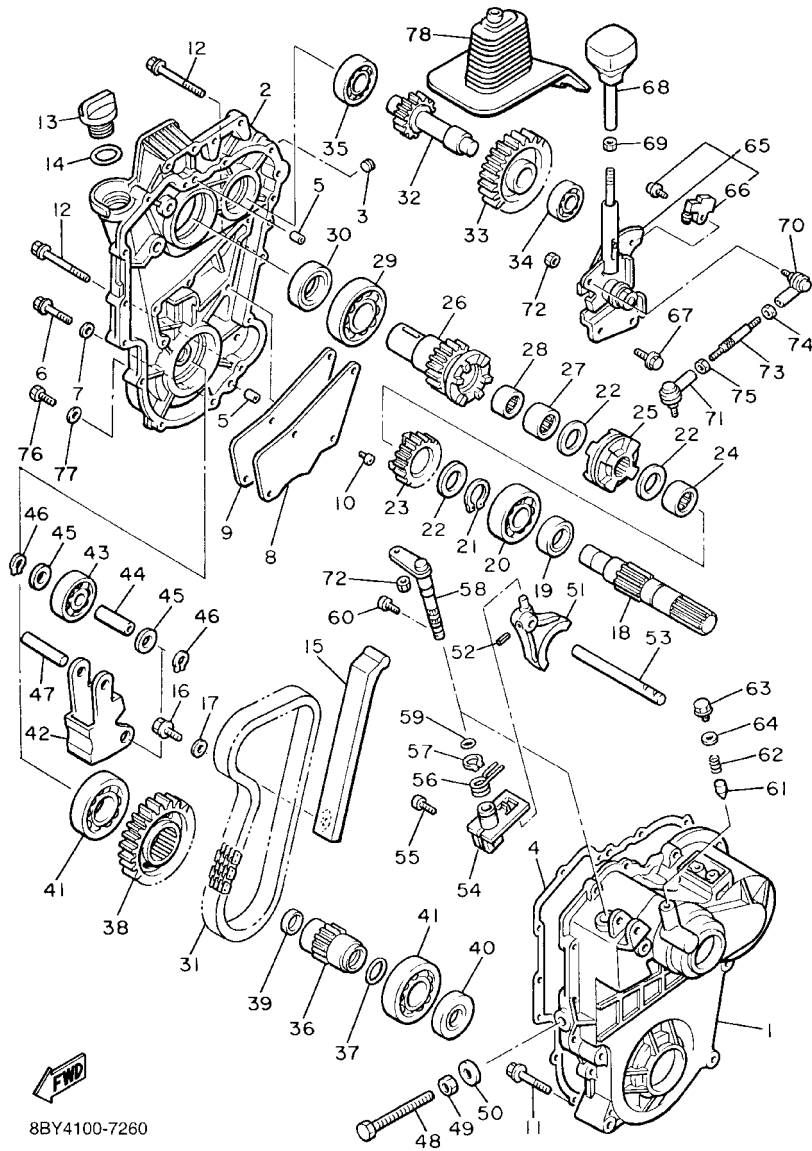
REF. NO.	PART NO.	DESCRIPTION	USA	CAN	EUR	JPN	REMARKS
1	88T-47541-00	HOUSING, CHAIN	1	1	1	1	
2	89X-47543-00	CAP, HOUSING	1	1	1	1	
3	90336-08026	PLUG, TAPER	1	1	1	1	
4	88T-47592-00	GASKET	1	1	1	1	
5	99530-10114	PIN, DOWEL	2	2	2	2	
6	95827-06035	BOLT, FLANGE	12	12	12	12	
7	90210-06006	WASHER, SEAL	1	1	1	1	
8	88T-47591-00	PLATE	1	1	1	1	
9	88T-47544-00	GASKET	1	1	1	1	
10	90154-06050	SCREW, BINDING	4	4	4	4	
11	95827-08040	BOLT, FLANGE	2	2	2	2	
12	95827-08070	BOLT, FLANGE	2	2	2	2	
13	3F9-15362-00	PLUG, OIL LEVEL	1	1	1	1	
14	93210-27194	O-RING	1	1	1	1	
15	88T-12231-00	GUIDE, STOPPER 1	1	1	1	1	
16	95827-08016	BOLT, FLANGE	1	1	1	1	
17	92907-08200	WASHER	1	1	1	1	
18	88T-17421-00	AXLE, DRIVE	1	1	1	1	
19	93102-22014	OIL SEAL	1	1	1	1	
20	93306-37206	BEARING	1	1	1	1	
21	99009-22400	CIRCLIP	1	1	1	1	
22	90201-224L4	WASHER, PLATE	3	3	3	3	
23	88T-17143-00	GEAR, REVERSE PINION 1	1	1	1	1	
24	93311-42265	BEARING	1	1	1	1	
25	88T-17492-01	DOG, TRANSMISSION SHIFT	1	1	1	1	
26	88T-17682-11	SPROCKET, CHAIN DRIVE	1	1	1	1	STD
	88T-17682-01	SPROCKET, CHAIN DRIVE	1	1	1	1	AP

FIG. 26 TRACK DRIVE 2



REF. NO.	PART NO.	DESCRIPTION	USA	CAN	EUR	JPN	REMARKS
27	93317-32231	BEARING	1	1	1	1	
28	93317-22021	BEARING	1	1	1	1	
29	93306-00704	BEARING	1	1	1	1	
30	93102-35191	OIL SEAL	1	1	1	1	
31	94880-03078	CHAIN	1	1	1	1	STD
	94880-03076	CHAIN	1	1	1	1	AP
32	88T-17432-00	AXLE, IDLE	1	1	1	1	
33	88T-17243-00	GEAR, REVERSE WHEEL 1	1	1	1	1	
34	93306-20321	BEARING	1	1	1	1	
35	93306-20402	BEARING (B6204JRC3)	1	1	1	1	
36	88T-47571-00	JOURNAL 1	1	1	1	1	
37	93210-25070	O-RING	1	1	1	1	
38	8BB-47587-80	SPROCKET, CHAIN DRIVEN (38T)	1	1	1	1	STD
	8BB-47587-30	SPROCKET, CHAIN DRIVEN (33T)	1	1	1	1	AP
	8BB-47587-50	SPROCKET, CHAIN DRIVEN (35T)	1	1	1	1	AP
39	90331-26096	PLUG	1	1	1	1	
40	93102-35191	OIL SEAL	1	1	1	1	
41	93306-00704	BEARING	2	2	2	2	
42	88T-47613-00	HOLDER	1	1	1	1	
43	93306-30407	BEARING (B6304C3)	1	1	1	1	
44	88T-12257-00	SHAFT 2	1	1	1	1	
45	90201-204M9	WASHER, PLATE	2	2	2	2	
46	99009-20400	CIRCLIP	2	2	2	2	
47	88T-12247-00	SHAFT, TENSIONER	1	1	1	1	
48	90101-10737	BOLT	1	1	1	1	
49	95307-10700	NUT	1	1	1	1	
50	90210-10004	WASHER, SEAL	1	1	1	1	

FIG. 26 TRACK DRIVE 2



8BY4100-7260

REF. NO.	PART NO.	DESCRIPTION	USA	CAN	EUR	JPN	REMARKS
51	88T-18511-00	FORK, SHIFT 1	1	1	1	1	
52	91609-40025	PIN, SPRING	1	1	1	1	
53	88T-18531-00	BAR, SHIFT FORK GUIDE 1	1	1	1	1	
54	88T-18191-00	LEVER	1	1	1	1	
55	91318-06020	BOLT	1	1	1	1	
56	88T-18123-00	SPRING	1	1	1	1	
57	99009-18400	CIRCLIP	1	1	1	1	
58	88T-18151-00	LEVER, SHIFT 3	1	1	1	1	
59	93210-10010	O-RING	1	1	1	1	
60	90109-063E8	BOLT	1	1	1	1	
61	90249-07217	PIN	1	1	1	1	
62	90501-124G3	SPRING, COMPRESSION	1	1	1	1	
63	90340-10136	PLUG, STRAIGHT SCREW	1	1	1	1	
64	90201-106H5	WASHER, PLATE	1	1	1	1	
65	88T-18120-01	SHIFT LEVER ASSY	1	1	1	1	
66	J51-82817-00	SWITCH	1	1	1	1	
67	95827-08016	BOLT, FLANGE	2	2	2	2	
68	8BK-18190-00	LEVER COMP. 1	1	1	1	1	
69	95307-10600	NUT	1	1	1	1	
70	88T-18157-00	JOINT 2	1	1	1	1	
71	J45-23845-00	JOINT, UNIVERSAL 2	1	1	1	1	
72	95607-06200	NUT, SELF U-FLANGE	2	2	2	2	
73	88T-18116-01	JOINT, ROD 1	1	1	1	1	
74	90170-06289	NUT	1	1	1	1	
75	95317-06700	NUT	1	1	1	1	
76	97007-06010	BOLT	1	1	1	1	
77	90210-06006	WASHER, SEAL	1	1	1	1	

FIG. 26 TRACK DRIVE 2

REF. NO.	PART NO.	DESCRIPTION	USA	CAN	EUR	JPN	REMARKS
78	89X-77189-00	COVER, LEVER	1	1	1	1	
<hr/>							
<hr/>							
<hr/>							
<hr/>							
<hr/>							
<hr/>							
<hr/>							
<hr/>							
<hr/>							
<hr/>							
<hr/>							
<hr/>							
<hr/>							
<hr/>							
<hr/>							

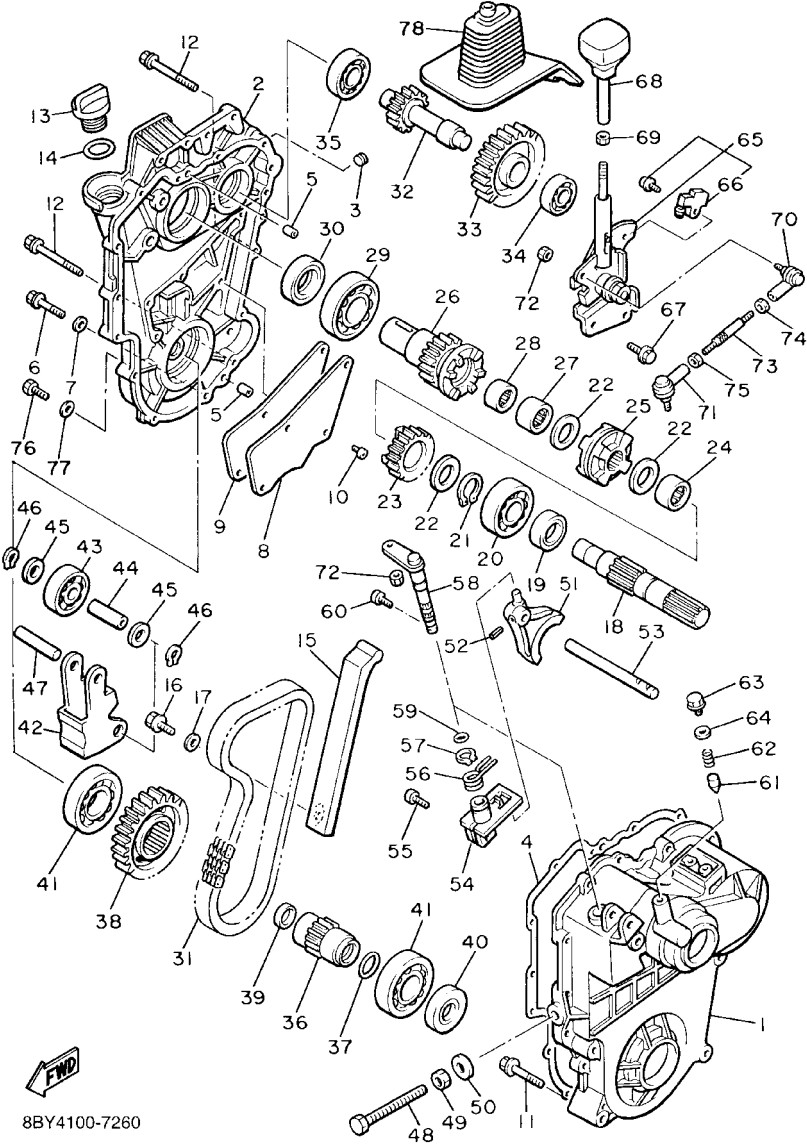
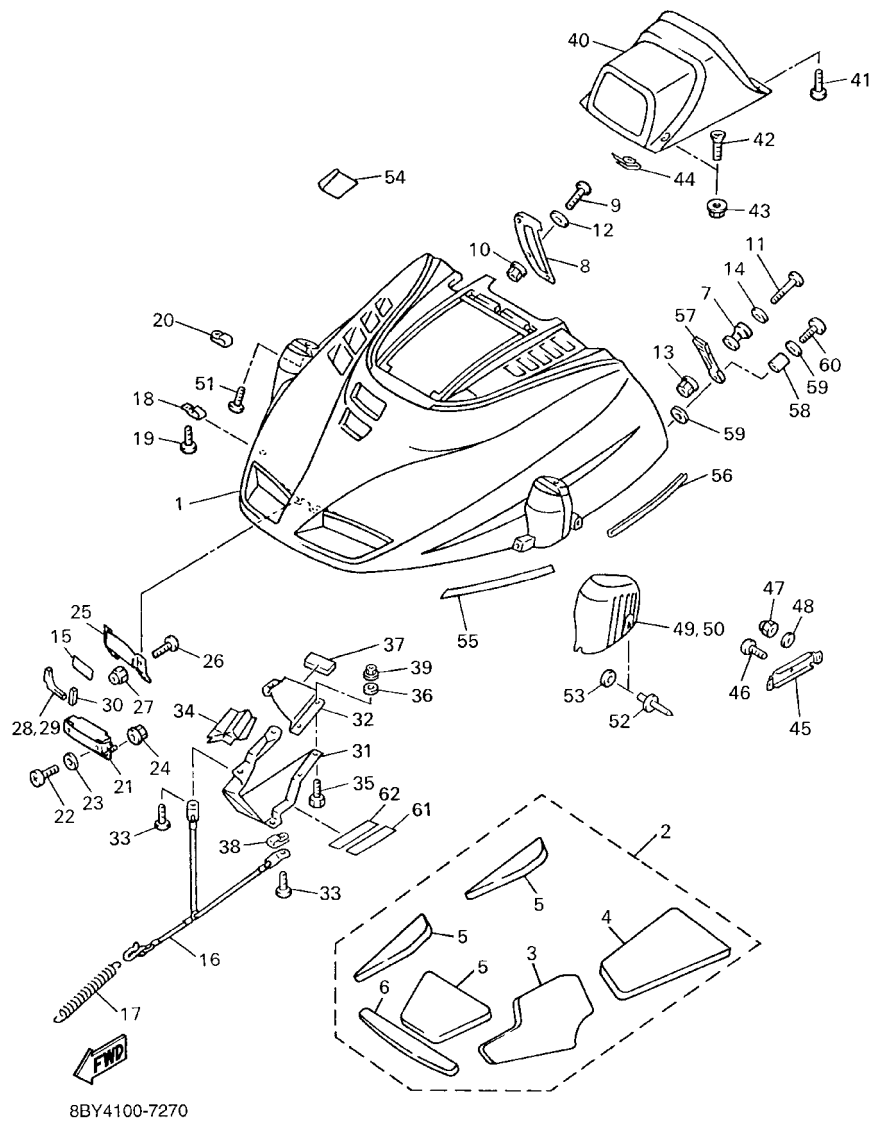
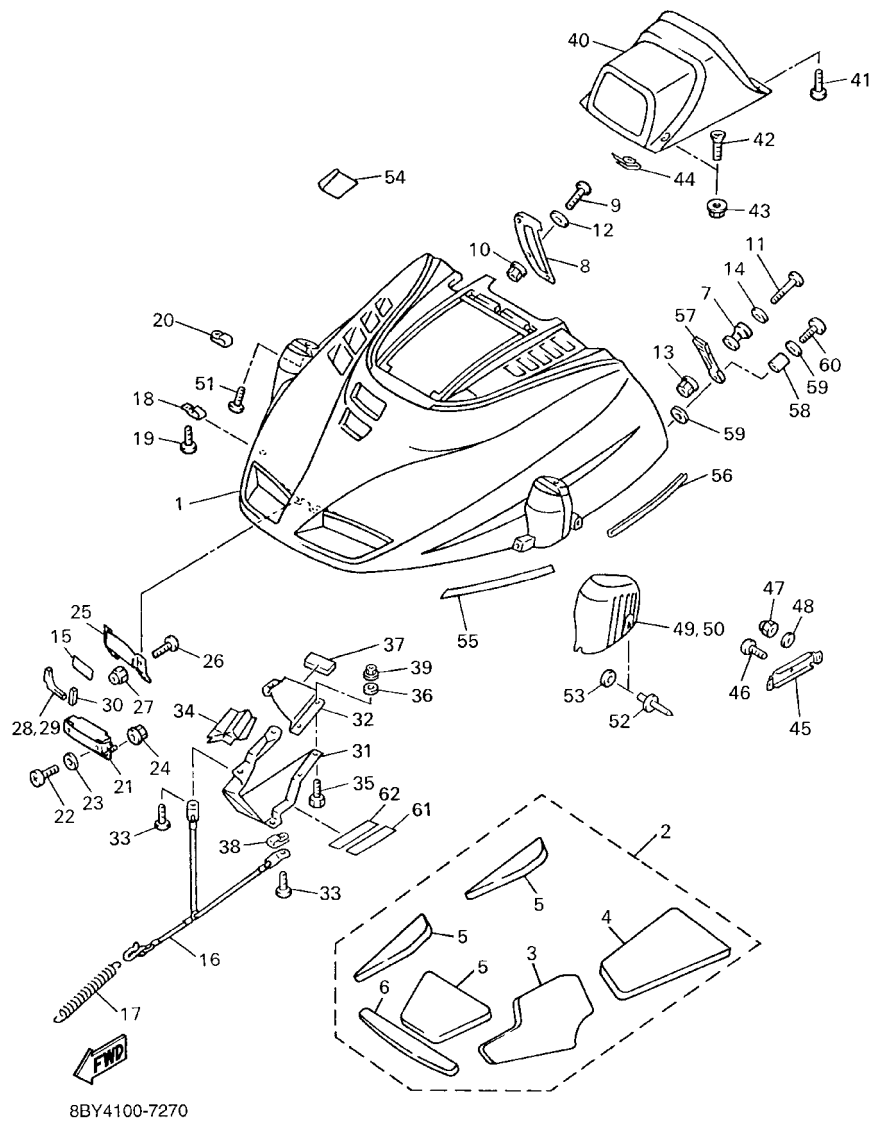


FIG. 27 SHROUD



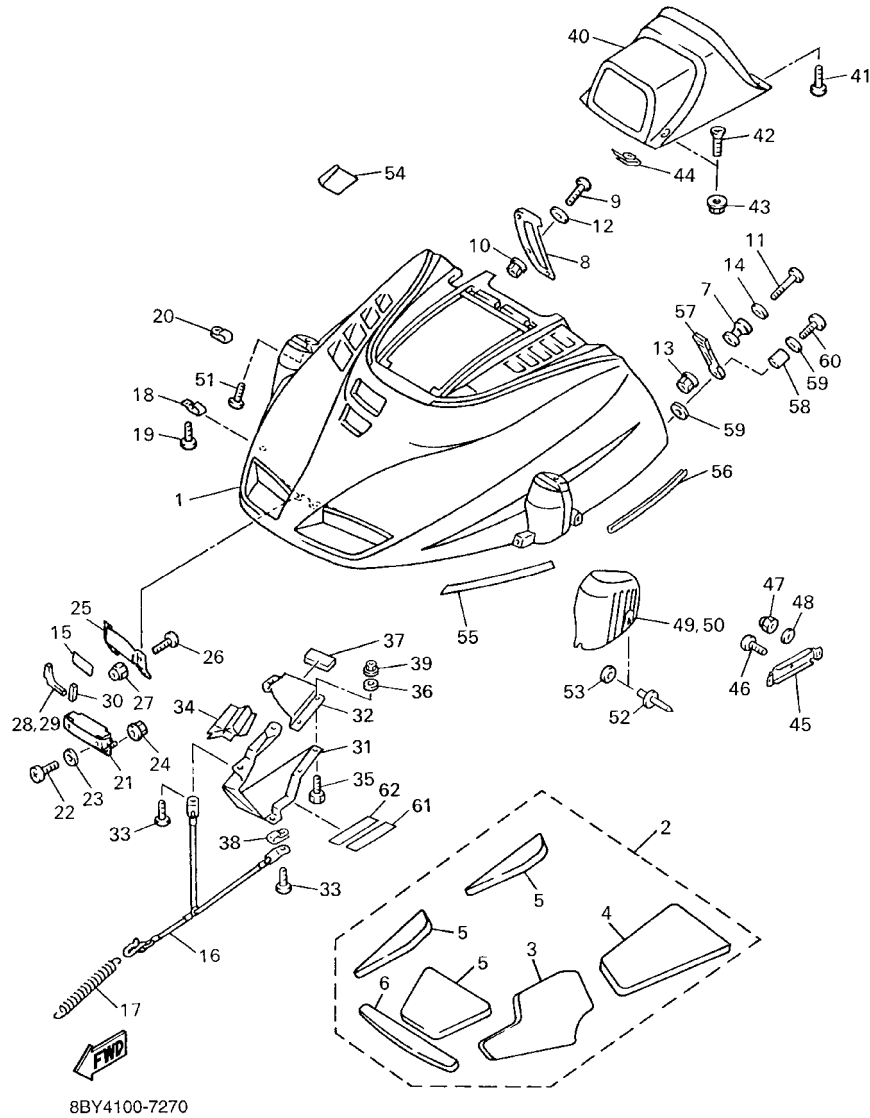
REF. NO.	PART NO.	DESCRIPTION	USA	CAN	EUR	JPN	REMARKS
1	8BY-77111-30	SHROUD	1	1	1	1	
2	8BY-W7726-01	LINING SET	1	1	1	1	
3	89X-77262-00	.LINING, SHROUD 2	1	1	1	1	
4	89X-77263-00	.LINING, SHROUD 3	1	1	1	1	
5	88R-77261-00	.LINING, SHROUD 1	3	3	3	3	
6	89X-77264-00	.LINING, SHROUD 4	1	1	1	1	
7	8M6-77175-00	HOLDER, LATCH	2	2	2	2	
8	89X-77555-00	PROTECTOR 5	1	1	1	1	
9	98907-06014	SCREW, BIND	2	2	2	2	
10	95707-06500	NUT, FLANGE	2	2	2	2	
11	98907-06035	SCREW, BIND	2	2	2	2	
12	90202-06007	WASHER, PLATE	2	2	2	2	
13	95707-06500	NUT, FLANGE	1	1	1	1	
14	90201-06557	WASHER, PLATE	1	1	1	1	
15	8BE-77762-00	LABEL, WARNING 2	2	2			
	89S-77762-01	LABEL, WARNING 2			2		
	8Y0-77762-90	LABEL, WARNING 2				2	
16	89X-77118-00	STOPPER, SHROUD	1	1	1	1	
17	80L-77159-00	CLAMP, ROD	1	1	1	1	
18	90465-20145	CLAMP	1	1	1	1	
19	97707-50014	SCREW, TAPPING	2	2	2	2	
20	90461-08113	CLAMP	1	1	1	1	
21	89X-77140-00	HINGE ASSY	1	1	1	1	
22	98907-06020	SCREW, BIND	2	2	2	2	
23	90202-06007	WASHER, PLATE	2	2	2	2	
24	95707-06500	NUT, FLANGE	3	3	3	3	
25	89X-77185-00	PLATE 1	2	2	2	2	

FIG. 27 SHROUD



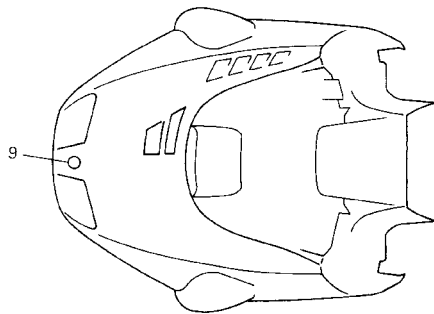
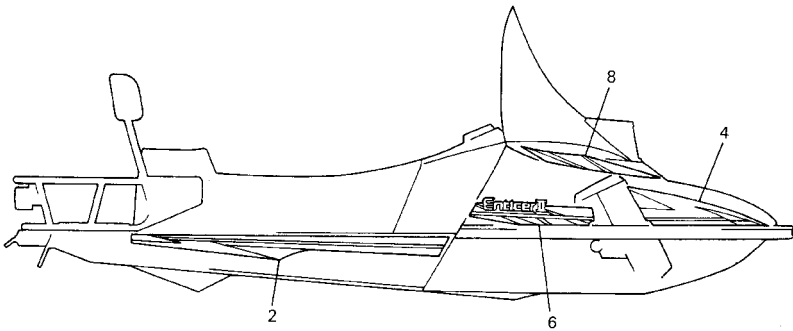
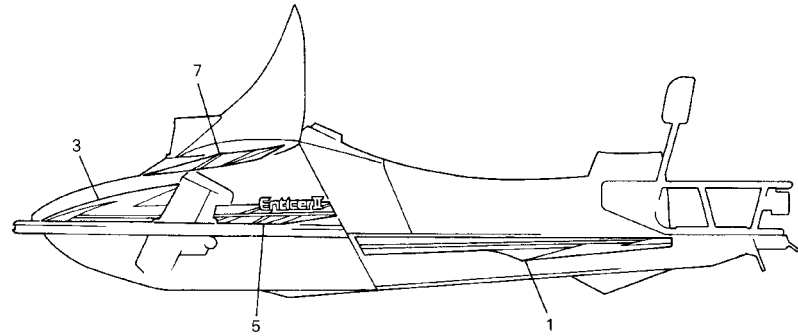
REF. NO.	PART NO.	DESCRIPTION	USA	CAN	EUR	JPN	REMARKS
26	98907-06020	SCREW, BIND	4	4	4	4	
27	95607-06200	NUT, SELF U-FLANGE	4	4	4	4	
28	89X-77165-00	TRIM 1	1	1	1	1	
29	89X-77166-00	TRIM 2	1	1	1	1	
30	89X-77167-00	TRIM 3	2	2	2	2	
31	89X-77194-00	DUCT	1	1	1	1	
32	89X-77123-00	GUIDE 1	1	1	1	1	
33	97707-50016	SCREW, TAPPING	4	4	4	4	
34	89X-77553-00	PROTECTOR 3	1	1	1	1	
35	97007-05016	BOLT	1	1	1	1	
36	90201-05033	WASHER, PLATE	1	1	1	1	
37	89X-77265-00	LINING, SHROUD 5	1	1	1	1	
38	90461-08113	CLAMP	1	1	1	1	
39	95707-05500	NUT, FLANGE	1	1	1	1	
40	89X-84311-00	BODY, HEADLIGHT	1	1	1		
	89X-84311-10	BODY, HEADLIGHT				1	
41	97707-50016	SCREW, TAPPING	3	3	3	3	
42	98707-05016	SCREW, FLAT HEAD	2	2	2	2	
43	95707-05500	NUT, FLANGE	2	2	2	2	
44	90183-05068	NUT, SPRING	1	1	1	1	
45	89X-77186-00	PLATE 2	1	1	1	1	
46	98907-05008	SCREW, BIND	2	2	2	2	
47	95307-05800	NUT	2	2	2	2	
48	92907-05200	WASHER	2	2	2	2	
49	89X-77121-00	HOOD 1	1	1	1	1	
50	89X-77122-00	HOOD 2	1	1	1	1	
51	97707-50016	SCREW, TAPPING	2	2	2	2	

FIG. 27 SHROUD



REF. NO.	PART NO.	DESCRIPTION	USA	CAN	EUR	JPN	REMARKS
52	90267-48141	RIVET, BLIND	4	4	4	4	
53	90201-051K1	WASHER, PLATE	4	4	4	4	
54	88T-77763-10	LABEL, WARNING 3	1	1			
	88K-77763-00	LABEL, WARNING 3				1	
	88T-77763-20	LABEL, WARNING 3				1	
55	89X-7717E-00	TAPE 1	2	2	2	2	
56	89X-77168-00	TRIM 4	2	2	2	2	
57	8V0-77171-00	BODY, LATCH 1	2	2	2	2	
58	90387-06241	COLLAR	2	2	2	2	
59	90201-06557	WASHER, PLATE	4	4	4	4	
60	98907-06030	SCREW, BIND	2	2	2	2	
61	89X-47578-00	LABEL 1	1	1	1	1	
62	89X-1417E-00	LABEL, CAUTION	1	1	1	1	

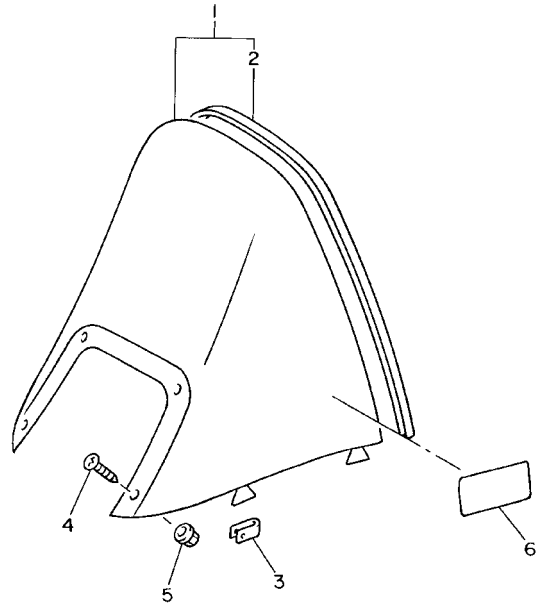
FIG. 28 EMBLEM



REF. NO.	PART NO.	DESCRIPTION	USA	CAN	EUR	JPN	REMARKS
1	8BY-77351-70	EMBLEM 1	1	1	1	1	
2	8BY-77352-70	EMBLEM 2	1	1	1	1	
3	8BY-77353-70	EMBLEM 3	1	1	1	1	
4	8BY-77354-70	EMBLEM 4	1	1	1	1	
5	8BY-77355-70	EMBLEM 5	1	1	1	1	
6	8BY-77356-70	EMBLEM 6	1	1	1	1	
7	8BY-77357-70	EMBLEM 7	1	1	1	1	
8	8BY-77358-70	EMBLEM 8	1	1	1	1	
9	8AC-2414B-01	EMBLEM	1	1	1	1	

8BY8100-1280

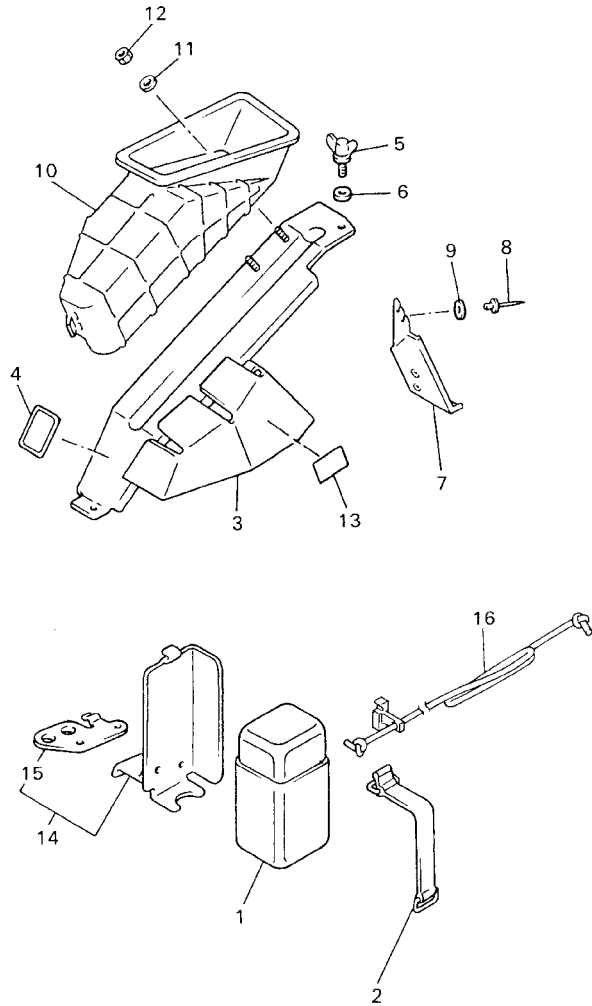
FIG. 29 WINDSHIELD



REF. NO.	PART NO.	DESCRIPTION	USA	CAN	EUR	JPN	REMARKS
1	89X-77210-10	WINDSHIELD COMP.	1	1	1	1	
2	87W-77213-10	.TRIM, UPPER	1	1	1	1	
3	82H-77223-00	FASTNER	4	4	4	4	
4	90164-05007	SCREW, TAPPING	4	4	4	4	
5	95707-05500	NUT, FLANGE	4	4	4	4	
6	80V-2835Y-90	LABEL, CAUTION				1	


89X100-2280

FIG. 30 GUARD. LUGGAGE BOX

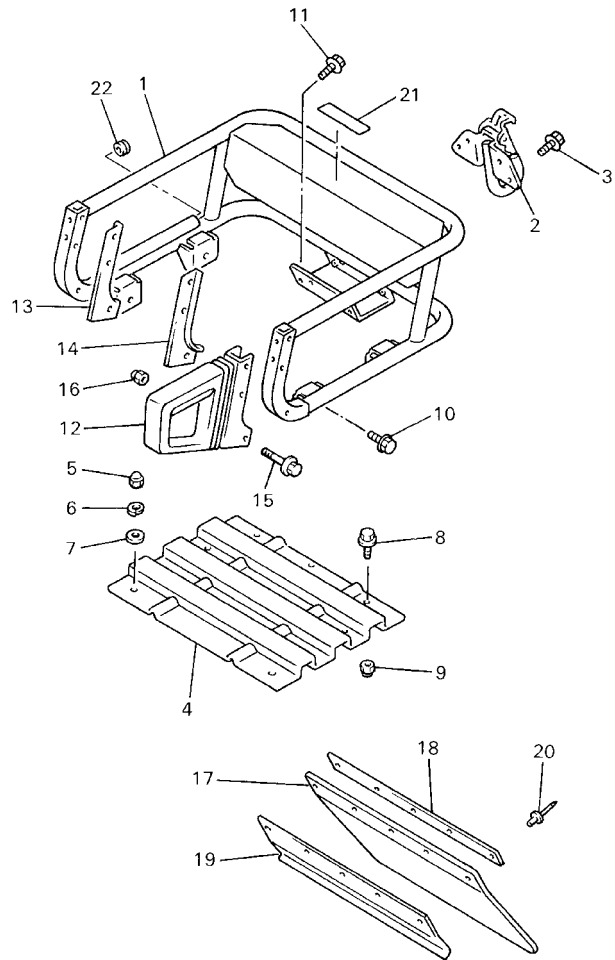


REF. NO.	PART NO.	DESCRIPTION	USA	CAN	EUR	JPN	REMARKS
1	85L-28100-00	TOOL KIT	1	1	1	1	
2	26H-82131-00	BAND, BATTERY	1	1	1	1	
3	89X-77311-00	GUARD, DRIVE	1	1	1	1	
4	8BD-77762-00	LABEL, WARNING 2	1	1			
	86D-77762-00	LABEL, WARNING 2			1		
	8BD-77762-21	LABEL, WARNING 2				1	
5	90122-08029	BOLT, WING	2	2	2	2	
6	90201-08730	WASHER, PLATE	2	2	2	2	
7	85L-77373-01	PROTECTOR	1	1	1	1	
8	90267-48057	RIVET, BLIND	4	4	4	4	
9	92907-05200	WASHER	2	2	2	2	
10	85L-12661-00	DUCT	1	1	1	1	
11	90201-06380	WASHER, PLATE	2	2	2	2	
12	95307-06600	NUT	2	2	2	2	
13	89X-77398-00	INDICATOR 1	1	1	1	1	
14	89X-2198J-00	COVER 3	1	1	1	1	
15	89X-21945-00	.BRACKET, TOOL BOX FITTING	1	1	1	1	
16	8R4-15780-00	EMERGENCY STARTER ROPE ASSY	1	1	1		



8BY8100-1300

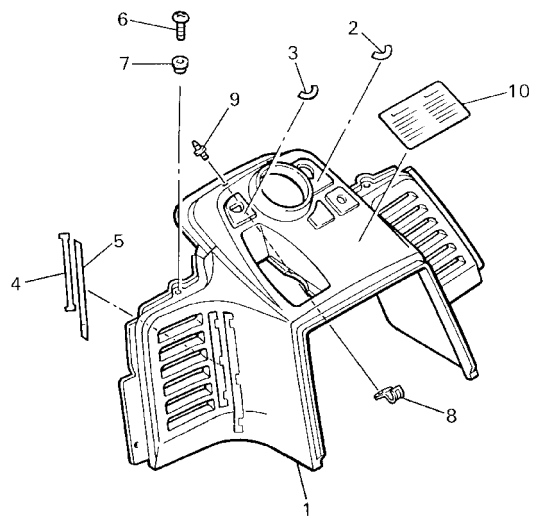
FIG. 31 BUMPER



8BY3100-6320

REF. NO.	PART NO.	DESCRIPTION	USA	CAN	EUR	JPN	REMARKS
1	89X-77541-00	BUMPER, REAR 1	1	1	1	1	
2	84R-77592-00	BRACKET, HITCH 2	1	1	1	1	
3	95827-08020	BOLT, FLANGE	4	4	4	4	
4	89X-77554-00	PROTECTOR 4	1	1	1	1	
5	95307-08800	NUT	4	4	4	4	
6	92907-08100	WASHER, SPRING	4	4	4	4	
7	92907-08600	WASHER, PLATE	4	4	4	4	
8	95827-08016	BOLT, FLANGE	3	3	3	3	
9	95707-08300	NUT, FLANGE	3	3	3	3	
10	95827-08014	BOLT, FLANGE	4	4	4	4	
11	95827-08016	BOLT, FLANGE	4	4	4	4	
12	8X0-77571-00	GRIP, ASSIST 1	2	2	2	2	
13	8X0-77525-00	WASHER 1	1	1	1	1	
14	8X0-77526-00	WASHER 2	1	1	1	1	
15	95807-08040	BOLT, FLANGE	6	6	6	6	
16	90176-08063	NUT, CROWN	6	6	6	6	
17	88K-77595-20	FLAP	1	1	1	1	
18	89X-77596-00	STOPPER, FLAP	1	1	1	1	
19	89X-77556-00	PROTECTOR 6	1	1	1	1	
20	90267-48086	RIVET, BLIND	5	5	5	5	
21	89X-24897-00	EMBLEM	1	1			
	89Y-24897-00	EMBLEM			1		
	89X-24897-10	EMBLEM				1	
22	90480-15268	GROMMET	2	2	2	2	

FIG. 32 INSTRUMENT PANEL

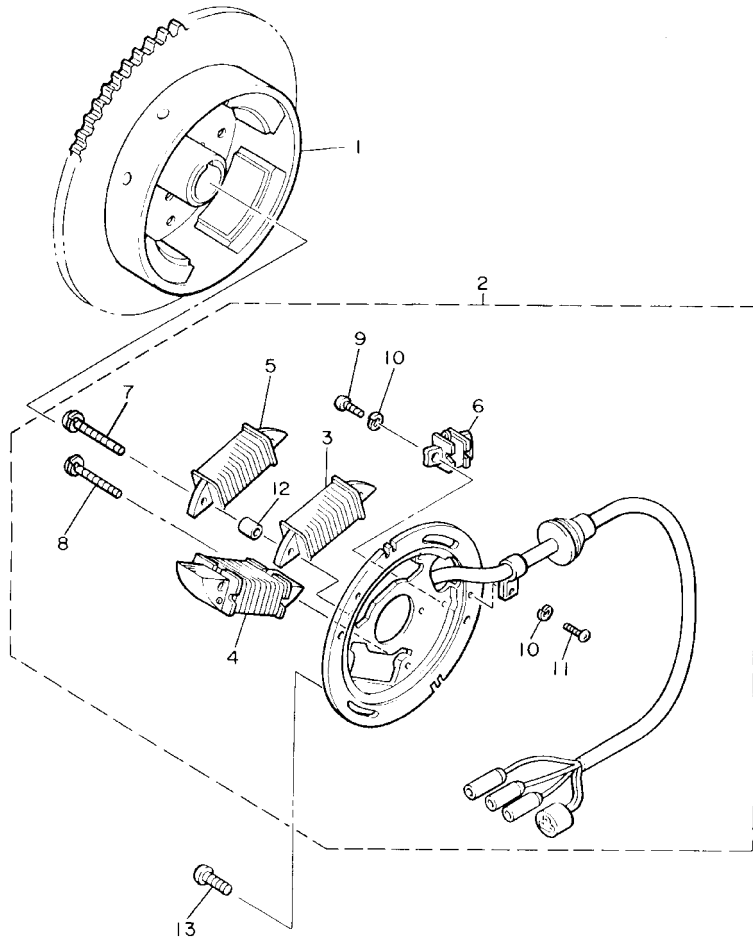


REF. NO.	PART NO.	DESCRIPTION	USA	CAN	EUR	JPN	REMARKS
1	8BE-77711-00	PANEL, INSTRUMENT	1	1	1	1	
2	8U9-77741-00	INDICATOR 1	1	1	1		
	8V0-77741-20	INDICATOR 1				1	
3	8U9-77742-00	INDICATOR 2	1	1	1	1	
4	85L-7716E-00	REFLECTOR 1	1	1	1	1	
5	85L-7716F-00	REFLECTOR 2	1	1	1	1	
6	98907-06016	SCREW, BIND	4	4	4	4	
7	90387-081R2	COLLAR	4	4	4	4	
8	90462-10007	CLAMP	2	2	2	2	
9	90269-07071	RIVET	2	2	2	2	
10	89X-77761-10	LABEL, WARNING 1	1	1			
	8BY-77761-10	LABEL, WARNING 1				1	
	8BY-77761-00	LABEL, WARNING 1				1	


8BE100-4310

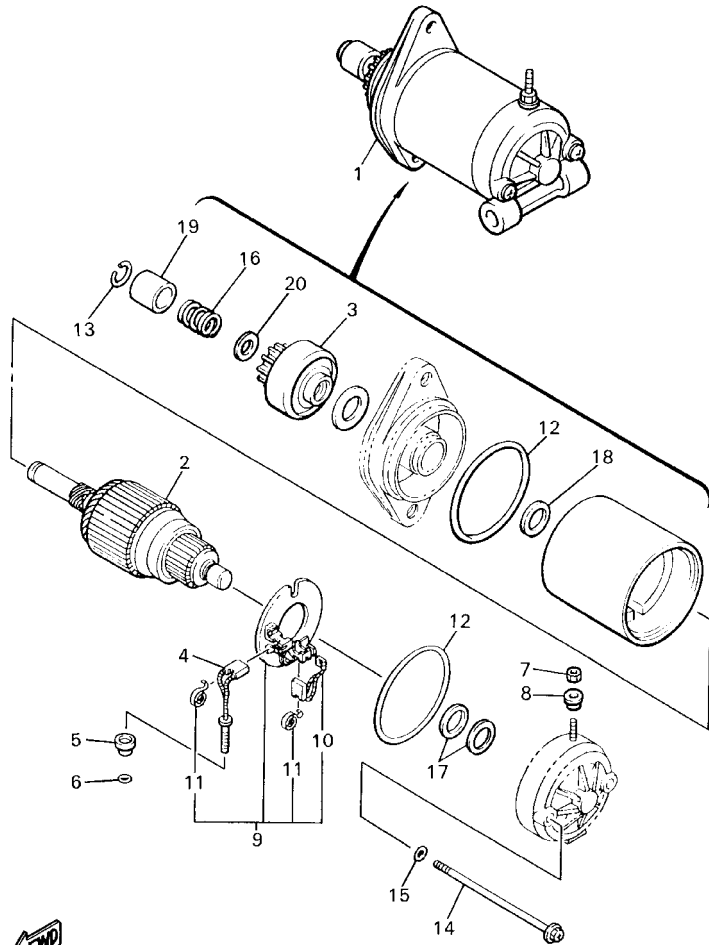
FIG. 33 GENERATOR

REF. NO.	PART NO.	DESCRIPTION	USA	CAN	EUR	JPN	REMARKS
1	85N-85550-00	ROTOR ASSY	1	1	1	1	
2	8BE-85560-00	BASE ASSY	1	1	1	1	
3	81L-85520-M0	.COIL, CHARGE	1	1	1	1	
4	81L-81314-M0	.COIL, LIGHTING 2	1	1	1	1	
5	81L-81313-M0	.COIL, LIGHTING 1	1	1	1	1	
6	8R4-85580-M0	.COIL, PULSER	1	1	1	1	
7	90159-05129	.SCREW, WITH WASHER	2	2	2	2	
8	90159-05130	.SCREW, WITH WASHER	2	2	2	2	
9	98506-04012	.SCREW, PAN HEAD	2	2	2	2	
10	92901-04100	.WASHER, SPRING	3	3	3	3	
11	98506-04008	.SCREW, PAN HEAD	1	1	1	1	
12	90387-06299	.COLLAR	2	2	2	2	
13	98507-06016	SCREW, PAN HEAD	2	2	2	2	



 87L010-0320

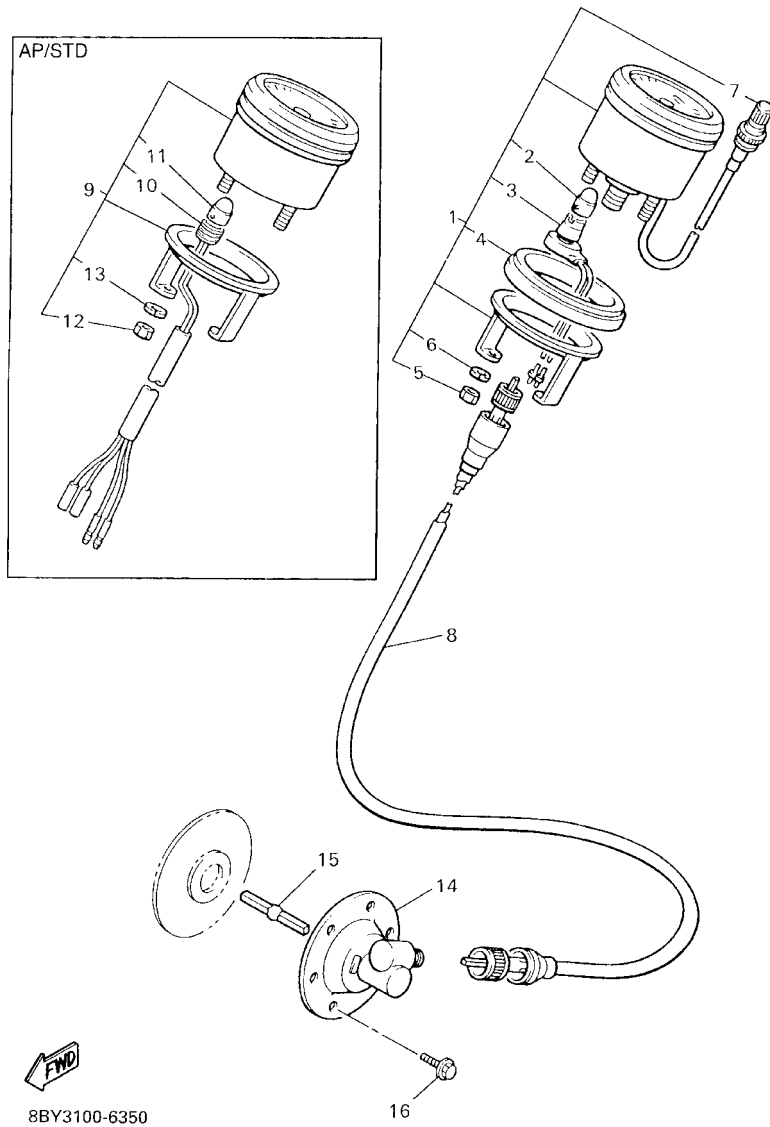
FIG. 34 STARTING MOTOR(AP:USA,CAN,EUR/STD:JPN)



 8BY2100-5410

REF. NO.	PART NO.	DESCRIPTION	USA	CAN	EUR	JPN	REMARKS
1	8BB-81800-01	STARTING MOTOR ASSY	1	1	1	1	
2	8Y3-81850-50	.ARMATURE ASSY	1	1	1	1	
3	84N-81832-51	.CLUTCH, OVER RUN	1	1	1	1	
4	73A-81811-00	.BRUSH 1	1	1	1	1	
5	73A-81829-50	.GROMMET	1	1	1	1	
6	73A-81847-00	.O-RING	1	1	1	1	
7	4H7-81872-00	.NUT, SPECIAL	1	1	1	1	
8	73A-81829-00	.GROMMET	1	1	1	1	
9	8L6-81840-50	.BRUSH HOLDER ASSY	1	1	1	1	
10	84N-81812-00	..BRUSH 2	1	1	1	1	
11	8L6-81813-50	..SPRING, BRUSH	2	2	2	2	
12	4H7-81844-50	.O-RING	2	2	2	2	
13	8L6-81834-50	.RING	1	1	1	1	
14	84N-81826-00	.BOLT	2	2	2	2	
15	8L6-81847-50	.O-RING	2	2	2	2	
16	8BB-81836-00	.SPRING, LEVER	1	1	1	1	
17	4H7-81843-50	.WASHER 1	2	2	2	2	
18	8L6-81835-50	.WASHER 2	1	1	1	1	
19	8L6-81833-50	.RING, STOP	1	1	1	1	
20	8BB-8185A-00	.WASHER, PLATE	1	1	1	1	

AP/STD



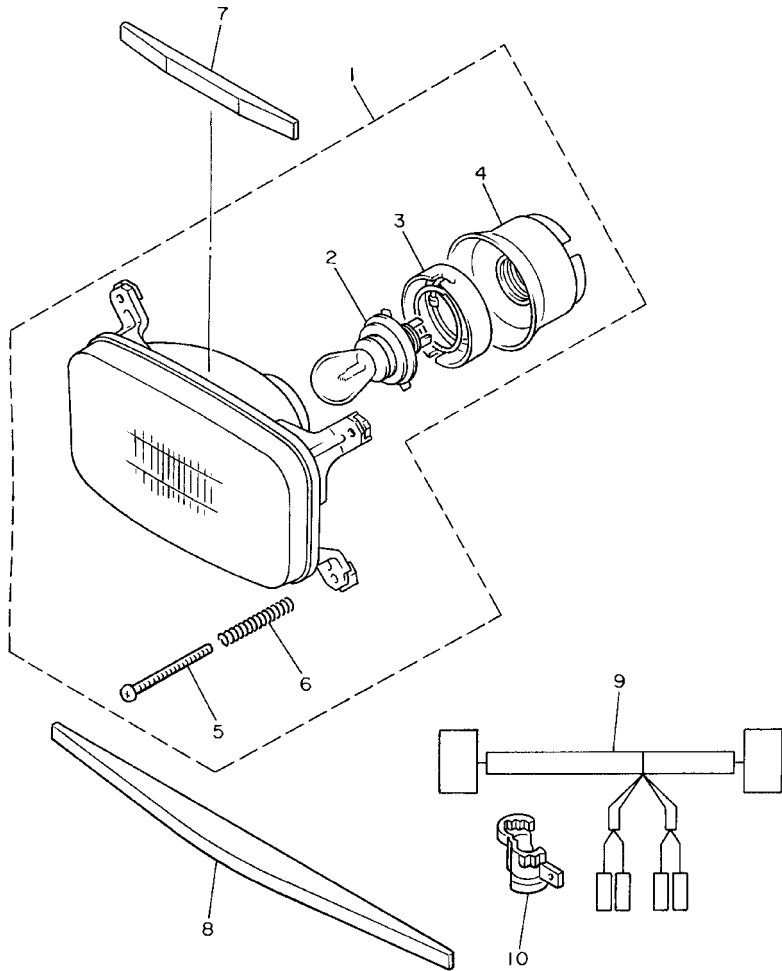
8BY3100-6350

FIG. 35 METER

REF. NO.	PART NO.	DESCRIPTION	USA	CAN	EUR	JPN	REMARKS
1	88T-83510-40	SPEEDOMETER ASSY (MILE/H)	1				
	88K-83510-20	SPEEDOMETER ASSY (KM/H)		1	1	1	
2	4G1-84744-00	.BULB (12V-3.4W T-10)	1	1	1	1	
3	5E2-83509-20	.SOCKET CORD ASSY	1	1	1	1	
4	88T-83523-00	.DAMPER	1	1	1	1	
5	95307-05600	.NUT	2	2	2	2	
6	92907-05100	.WASHER, SPRING	2	2	2	2	
7	8K1-83603-01	.TRIP METER CABLE ASSY	1	1	1	1	
8	89A-83550-00	SPEEDOMETER CABLE ASSY	1	1	1	1	
9	85L-83540-00	TACHOMETER ASSY	1	1	1		AP
	85L-83540-00	TACHOMETER ASSY				1	STD
10	85L-83509-00	.SOCKET CORD ASSY	1	1	1		AP
	85L-83509-00	.SOCKET CORD ASSY				1	STD
11	4R0-83517-00	.BULB (12V-3.4W T10)	1	1	1		AP
	4R0-83517-00	.BULB (12V-3.4W T10)				1	STD
12	95380-05600	.NUT	4	4	4		AP
	95380-05600	.NUT				4	STD
13	92990-05100	.WASHER, SPRING	4	4	4		AP
	92990-05100	.WASHER, SPRING				4	STD
14	8Y1-47700-00	METER GEAR HOUSING COMP.	1	1	1	1	
15	8K4-47715-00	JOINT	1	1	1	1	
16	95827-08014	BOLT, FLANGE	3	3	3	3	

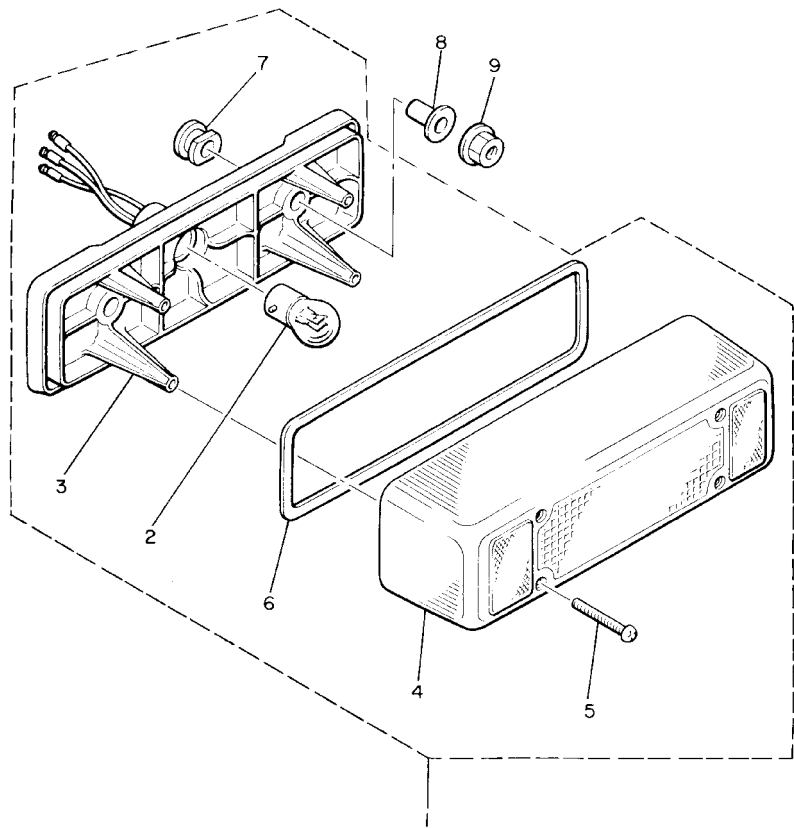
FIG. 36 HEADLIGHT

REF. NO.	PART NO.	DESCRIPTION	USA	CAN	EUR	JPN	REMARKS
1	89X-84310-00	HEADLIGHT UNIT ASSY	1	1		1	
	89Y-84310-00	HEADLIGHT UNIT ASSY			1		
2	8A7-84314-00	.BULB (12V-60/60W)	1	1	1	1	
3	8A7-84312-00	.HOLDER, SOCKET	1	1	1	1	
4	8A7-84397-01	.COVER, SOCKET	1	1	1	1	
5	89X-84331-00	.SCREW, RIM ADJUSTING	4	4	4	4	
6	89X-84332-00	.SPRING, SCREW	4	4	4	4	
7	89X-84366-00	DAMPER, HEADLIGHT 1	1	1	1	1	
8	89X-84367-00	DAMPER, HEADLIGHT 2	1	1	1	1	
9	8BY-84359-00	CORD, HEADLIGHT	1	1	1	1	
10	90464-20167	CLAMP	1	1	1	1	



89X100-2350

FIG. 37 TAILLIGHT

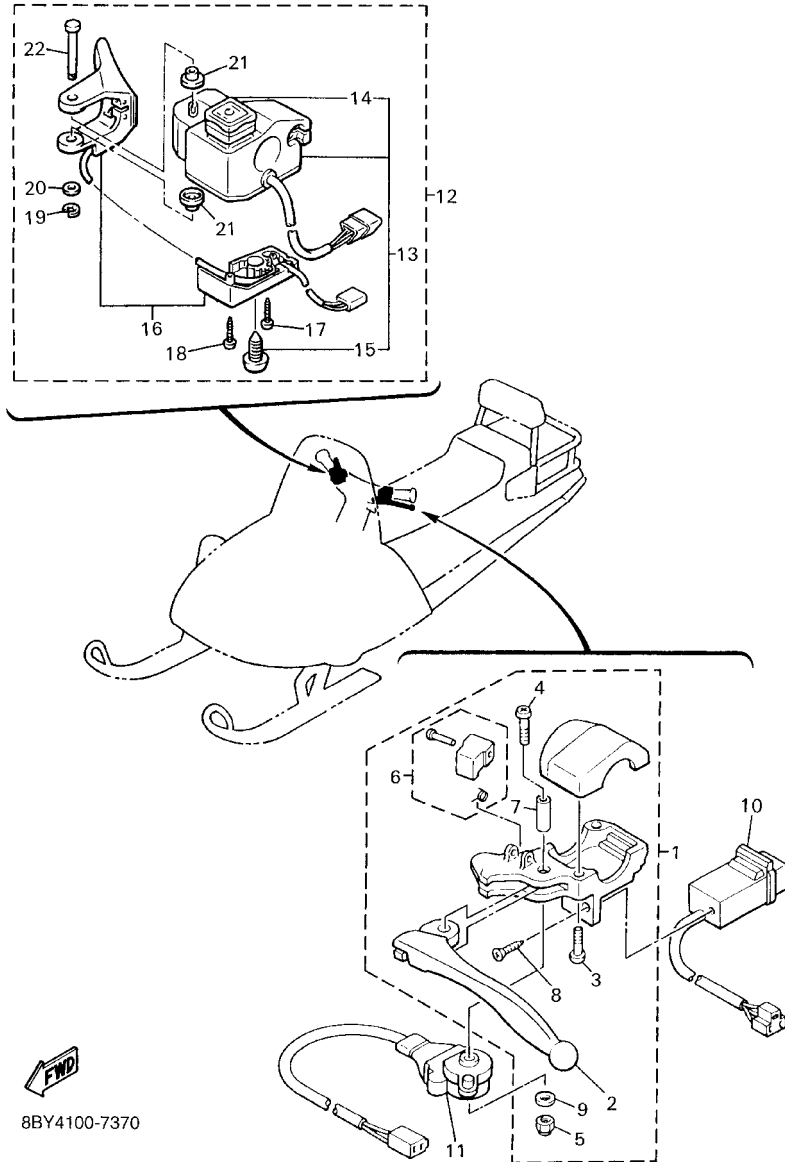


FWD

8AJ100-3350

REF. NO.	PART NO.	DESCRIPTION	USA	CAN	EUR	JPN	REMARKS
1	8K4-84710-00	TAILLIGHT UNIT ASSY	1	1	1	1	
2	838-84714-01	.BULB (12V-23/8W)	1	1	1	1	
3	8K4-84711-00	.BASE, TAILLIGHT	1	1	1	1	
4	8K4-84721-00	.LENS, TAILLIGHT	1	1	1	1	
5	97701-40130	.SCREW, PANHEAD TAPPING	4	4	4	4	
6	87M-84723-00	.GASKET, TAIL LENS	1	1	1	1	
7	8K4-84718-00	.GROMMET	2	2	2	2	
8	90387-066N1	COLLAR	2	2	2	2	
9	95707-06500	NUT, FLANGE	2	2	2	2	

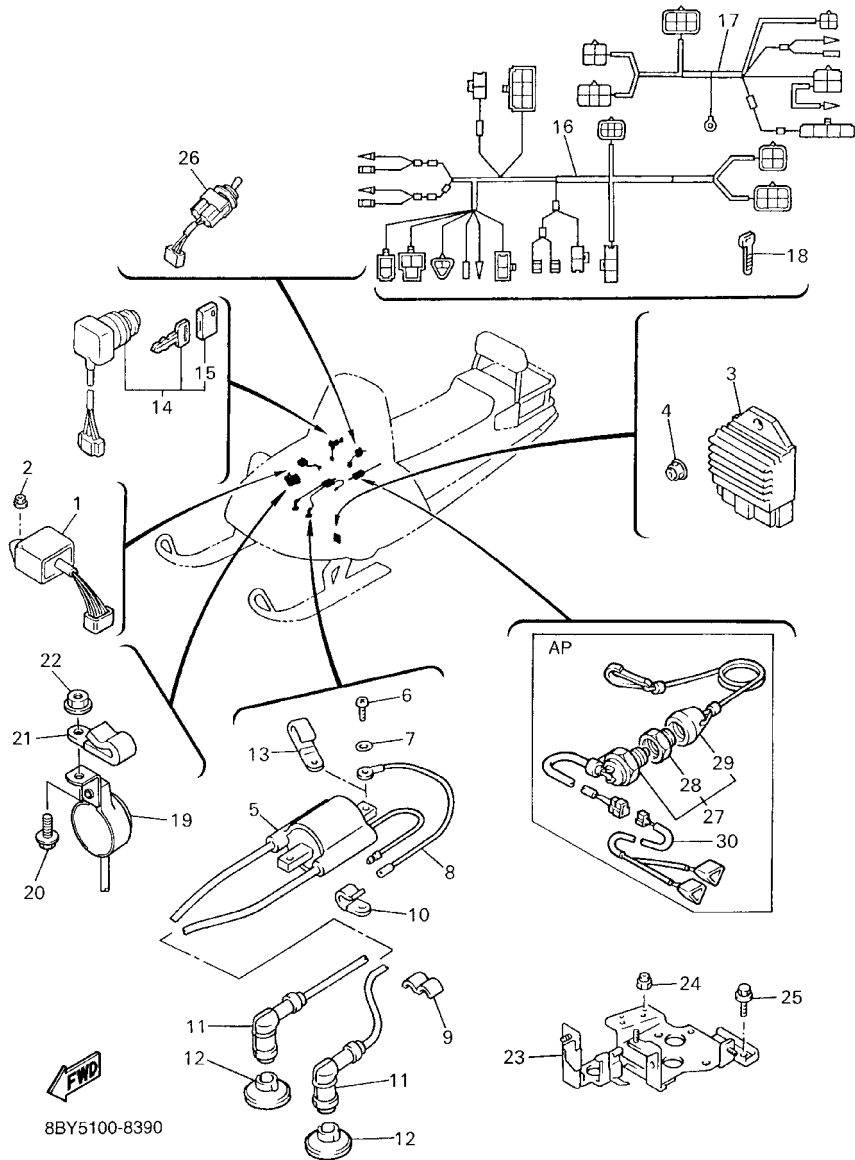
FIG. 38 HANDLE SWITCH. LEVER



8BY4100-7370

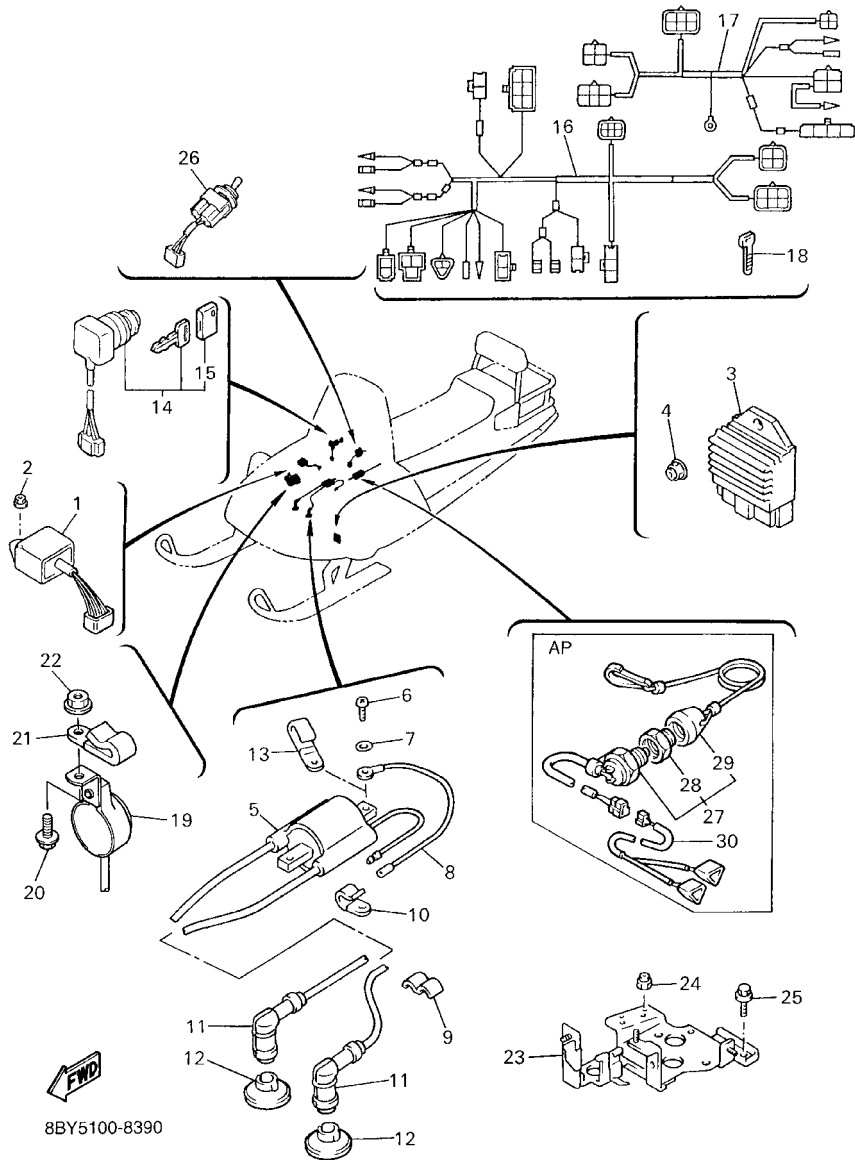
REF. NO.	PART NO.	DESCRIPTION	USA	CAN	EUR	JPN	REMARKS
1	88R-W8291-00	LEVER HOLDER ASSY (LEFT)	1	1	1	1	
2	8H8-83912-00	.LEVER 1	1	1	1	1	
3	90157-05027	.SCREW, PAN HEAD	2	2	2	2	
4	90157-05113	.SCREW, PAN HEAD	1	1	1	1	
5	95707-05300	.NUT, FLANGE	1	1	1	1	
6	8K4-83930-00	.LEVER LOCK ASSY	1	1	1	1	
7	802-83913-00	.COLLAR, LEVER 1	1	1	1	1	
8	97707-30712	.SCREW, TAPPING	1	1	1	1	
9	92907-05200	.WASHER	1	1	1	1	
10	8K4-83950-01	BEAM SWITCH ASSY	1	1	1	1	
11	88R-82530-00	STOP SWITCH ASSY	1	1	1	1	
12	8AU-82720-02	LEVER HOLDER ASSY (RIGHT)	1	1	1	1	
13	8AU-83963-00	.SWITCH, HANDLE 3 (RIGHT)	1	1	1	1	
14	8AU-82575-09	..ENGINE STOP SWITCH ASSY	1	1	1	1	WIRE/L=240MM
15	8R6-83928-00	..SCREW	1	1	1	1	
16	8AU-82970-02	.THUMB WARMER ASSY	1	1	1	1	
17	97706-30620	.SCREW, TAPPING	1	1	1	1	
18	97706-30630	.SCREW, TAPPING	1	1	1	1	
19	99001-06400	.CIRCLIP	1	1	1	1	
20	85G-83663-00	.WASHER, SPECIAL	1	1	1	1	
21	85G-83956-00	.CAP 1	1	1	1	1	
22	88T-8399F-00	.SHAFT	1	1	1	1	

FIG. 39 ELECTRICAL 1



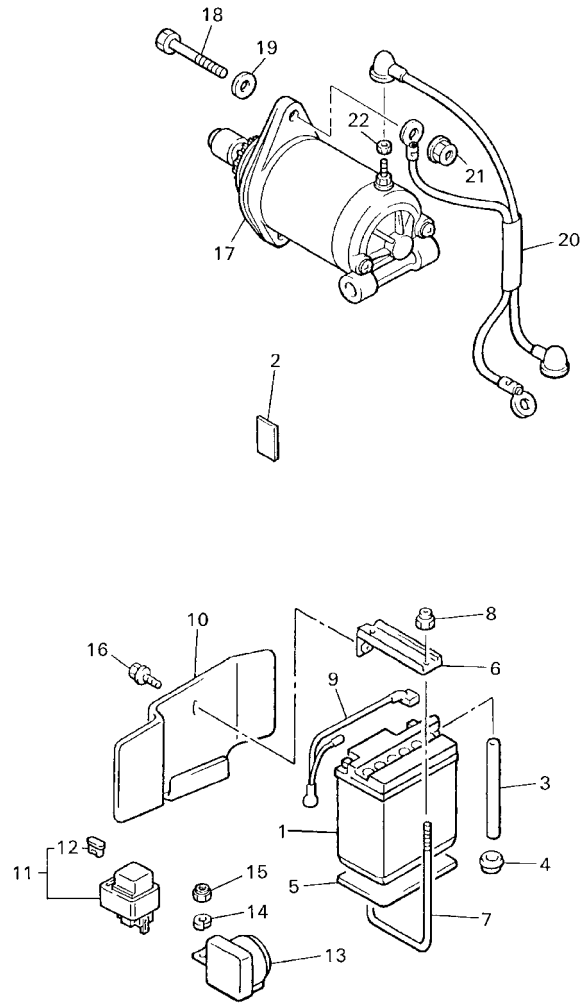
REF. NO.	PART NO.	DESCRIPTION	USA	CAN	EUR	JPN	REMARKS
1	8BY-85540-00	C.D.I. UNIT ASSY	1	1	1	1	
2	95707-06500	NUT, FLANGE	1	1	1	1	
3	89A-81960-00	RECTIFIER & REGULATOR ASSY	1	1	1	1	
4	95707-06300	NUT, FLANGE	1	1	1	1	
5	87D-82310-00	IGNITION COIL ASSY	1	1	1	1	
6	97880-06020	SCREW, PAN HEAD	2	2	2	2	
7	92990-06600	WASHER, PLATE	2	2	2	2	
8	87D-82318-00	WIRE, SUB-LEAD	1	1	1	1	
9	861-82361-00	CLAMP, CORD	1	1	1	1	
10	90465-08028	CLAMP	1	1	1	1	
11	85G-82370-20	PLUG CAP ASSY	2	2	2	2	
12	8G5-82372-00	SEAL, PLUG CAP	2	2	2	2	
13	90465-08277	CLAMP	1	1	1	1	
14	8K1-82510-20	MAIN SWITCH ASSY	1	1	1	1	
15	526-82579-00	.CAP, KEY	2	2	2	2	
16	8BY-82590-00	WIRE HARNESS ASSY	1	1	1	1	
17	8BY-82580-00	WIRE HARNESS ASSY 2	1	1	1	1	
18	341-26397-01	BAND	3	3	3	3	
19	87L-83383-01	BUZZER	1	1	1	1	
20	95827-06016	BOLT, FLANGE	1	1	1	1	
21	90465-06038	CLAMP	1	1	1	1	
22	95607-06200	NUT, SELF U-FLANGE	1	1	1	1	
23	89X-2199G-01	BRACKET, BATTERY	1	1	1	1	
24	95607-06200	NUT, SELF U-FLANGE	3	3	3	3	
25	95827-06010	BOLT, FLANGE	1	1	1	1	
26	8BE-82917-00	SWITCH	1	1	1	1	
27	8H8-82550-01	ENGINE STOP SWITCH ASSY				1	AP

FIG. 39 ELECTRICAL 1



REF. NO.	PART NO.	DESCRIPTION	USA	CAN	EUR	JPN	REMARKS
28	8H8-82557-00	.NUT				1	AP
29	8H7-82552-01	.CAP, SWITCH				1	AP
30	89L-82318-00	WIRE, SUB-LEAD				1	AP

FIG. 40 ELECTRICAL 2 (FOR JPN)



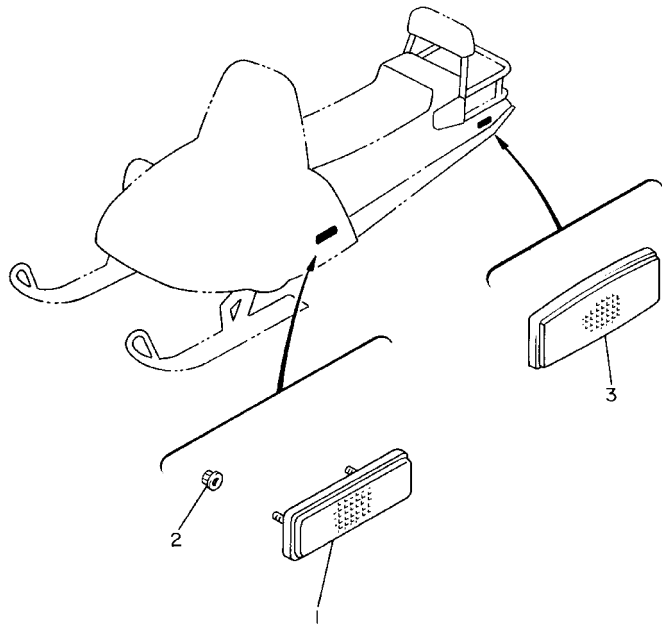
REF. NO.	PART NO.	DESCRIPTION	USA	CAN	EUR	JPN	REMARKS
1	89X-82110-11	BATTERY (YB14-A2 12V-14AH)				1	
2	3YF-24849-00	DAMPER, 2				1	
3	90445-08684	HOSE (L340)				1	
4	90480-12314	GROMMET				1	
5	82L-82122-00	SEAT, BATTERY				1	
6	89X-82136-01	PLATE, BATTERY FITTING				1	
7	8J4-82133-00	SCREW, FITTING				1	
8	95707-06300	NUT, FLANGE				2	
9	89X-82115-00	WIRE, PLUS LEAD				1	
10	85N-2199H-00	SHIELD, HEAT				1	
11	8BE-82150-00	FUSE HOLDER ASSY				1	
12	42X-82151-00	FUSE (10A-BL)				2	
13	8J9-81940-10	STARTER RELAY ASSY				1	
14	92907-06100	WASHER, SPRING				1	
15	95307-06600	NUT				1	
16	95807-06008	BOLT, FLANGE				1	
17	8BB-81800-01	STARTING MOTOR ASSY				1	
18	97027-08050	BOLT				2	
19	92907-08600	WASHER, PLATE				2	
20	89X-82105-00	WIRE HARNESS				1	
21	95707-08300	NUT, FLANGE				1	
22	95307-06600	NUT				1	



8BY5100-8400

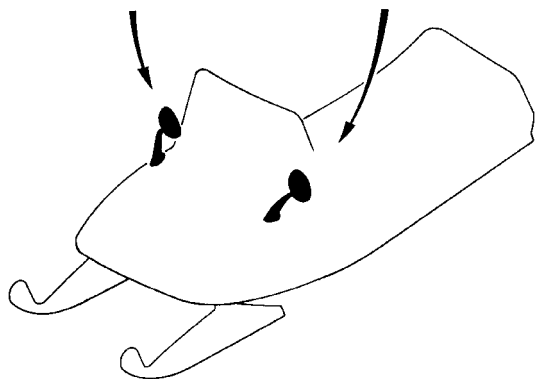
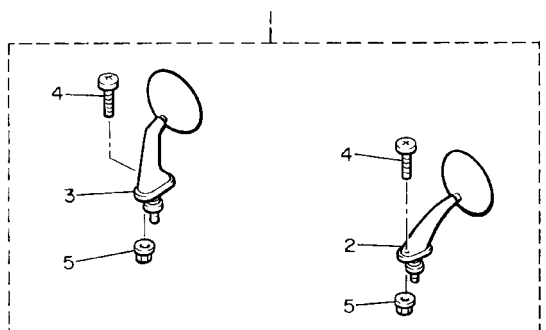
FIG. 41 ELECTRICAL 3

REF. NO.	PART NO.	DESCRIPTION	USA	CAN	EUR	JPN	REMARKS
1	86R-85110-00	REFLECTOR ASSY	2	2	2	2	
2	95707-05500	NUT, FLANGE	4	4	4	4	
3	81G-85130-00	REAR REFLECTOR ASSY	2	2	2	2	



89X100-2390

FIG. 42 ALTERNATE (BODY/RIG)

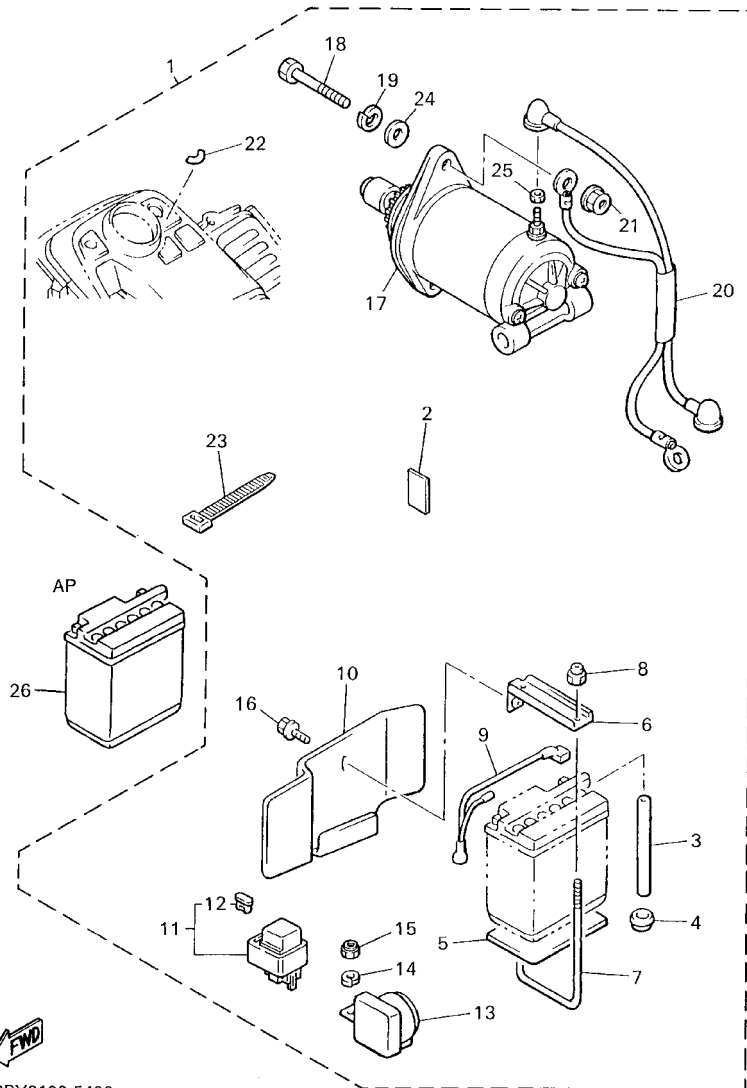


REF. NO.	PART NO.	DESCRIPTION	USA	CAN	EUR	JPN	REMARKS
1	8E1-W2628-00	REAR VIEW MIRROR SET	1	1	1	1	AP
2	8E1-26280-00	.REAR VIEW MIRROR ASSY(LEFT)	1	1	1	1	
3	8E1-26290-00	.REAR VIEW MIRROR ASSY(RIGHT)	1	1	1	1	
4	98507-04016	.SCREW, PAN HEAD	4	4	4	4	
5	95707-04500	.NUT, FLANGE	4	4	4	4	
<hr style="border-top: 1px dashed black;"/>							
<hr style="border-top: 1px dashed black;"/>							
<hr style="border-top: 1px dashed black;"/>							
<hr style="border-top: 1px dashed black;"/>							
<hr style="border-top: 1px dashed black;"/>							
<hr style="border-top: 1px dashed black;"/>							
<hr style="border-top: 1px dashed black;"/>							



88U100-1400

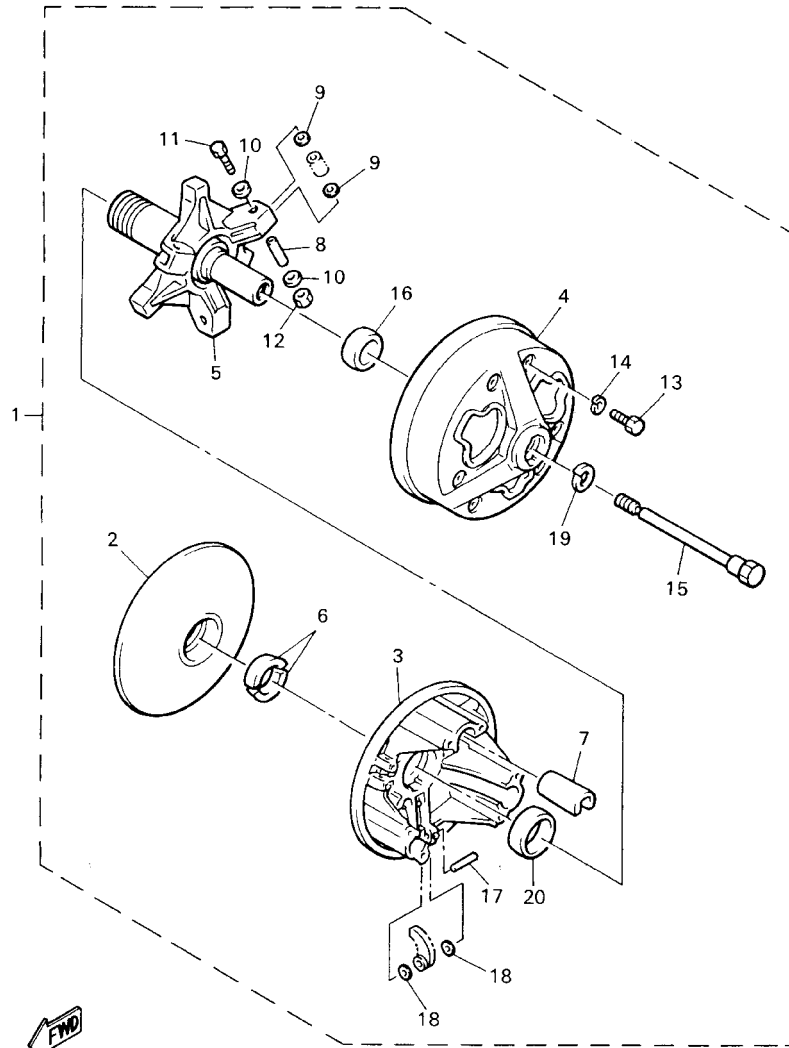
FIG. 43 ALTERNATE(ELECTRICAL)



8BY2100-5400

REF. NO.	PART NO.	DESCRIPTION	USA	CAN	EUR	JPN	REMARKS
1	8BH-W8180-01	ELECTRIC STARTER KIT	1	1	1		AP
2	3YF-24849-00	.DAMPER, 2	1	1	1		
3	90445-08684	.HOSE (L340)	1	1	1		
4	90480-12314	.GROMMET	1	1	1		
5	82L-82122-00	.SEAT, BATTERY	1	1	1		
6	89X-82136-01	.PLATE, BATTERY FITTING	1	1	1		
7	8J4-82133-00	.SCREW, FITTING	1	1	1		
8	95707-06300	.NUT, FLANGE	2	2	2		
9	89X-82115-00	.WIRE, PLUS LEAD	1	1	1		
10	85N-2199H-00	.SHIELD, HEAT	1	1	1		
11	8BE-82150-00	.FUSE HOLDER ASSY	1	1	1		
12	42X-82151-00	.FUSE (10A-BL)	2	2	2		
13	8J9-81940-10	.STARTER RELAY ASSY	1	1	1		
14	92907-06100	.WASHER, SPRING	1	1	1		
15	95307-06600	.NUT	1	1	1		
16	95807-06008	.BOLT, FLANGE	1	1	1		
17	8BB-81800-01	.STARTING MOTOR ASSY	1	1	1		
18	97027-08050	.BOLT	2	2	2		
19	92902-08100	.WASHER, SPRING	2	2	2		
20	89X-82105-00	.WIRE HARNESS	1	1	1		
21	95707-08300	.NUT, FLANGE	1	1	1		
22	8V0-77741-20	.INDICATOR 1	1	1	1		
23	90465-12356	.CLAMP	1	1	1		
24	92907-08600	.WASHER, PLATE	2	2	2		
25	95307-06600	.NUT	1	1	1		
26	89X-82110-01	BATTERY ASSY	1	1	1		AP

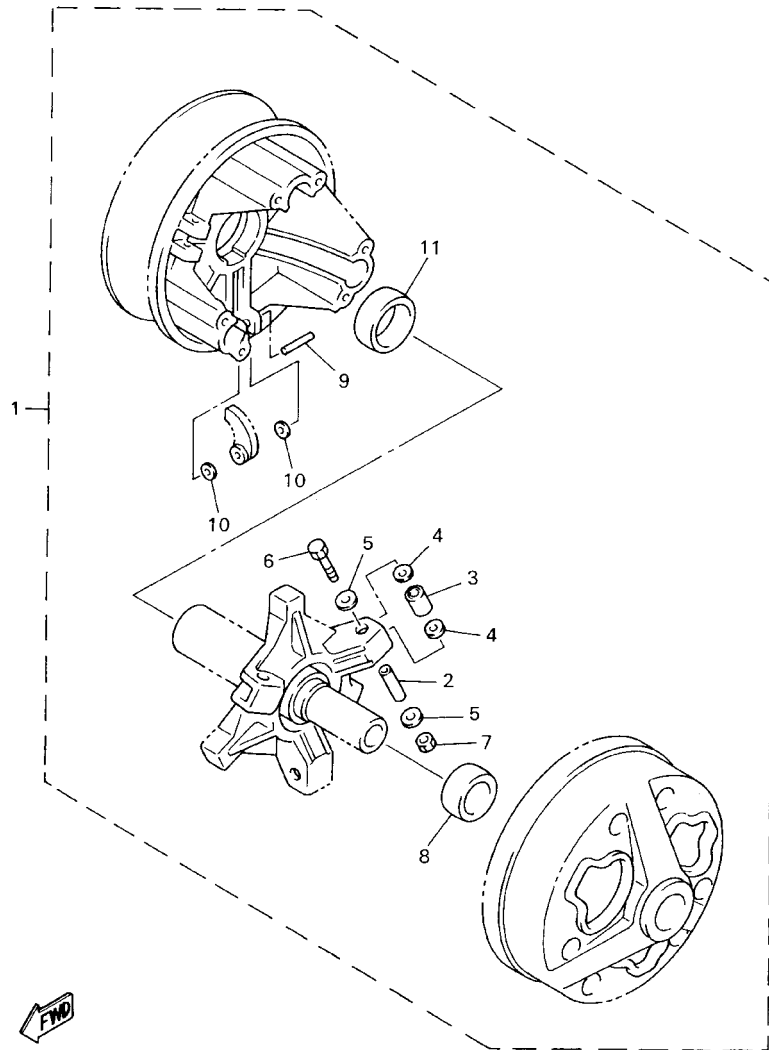
FIG. 44 ALTERNATE (ENGINE)



8BD8100-1420

REF. NO.	PART NO.	DESCRIPTION	USA	CAN	EUR	JPN	REMARKS
1	89X-17601-09	CLUTCH REPAIR KIT	1	1	1	1	AP
2	84J-17611-00	.SHEAVE, PRIMARY FIXED	1	1	1	1	
3	8V0-17621-01	.SHEAVE, PRIMARY SLIDING	1	1	1	1	
4	8V0-17631-00	.CAP	1	1	1	1	
5	8V0-17640-02	.SPIDER COMPLETE	1	1	1	1	
6	8V0-17639-00	.STOPPER	2	2	2	2	
7	88X-17653-00	.SLIDER	3	3	3	3	
8	90387-057W5	.COLLAR	3	3	3	3	
9	90202-08205	.WASHER, PLATE	6	6	6	6	
10	90201-050P9	.WASHER, PLATE	6	6	6	6	
11	97027-05035	.BOLT	3	3	3	3	
12	95617-05100	.NUT, U	3	3	3	3	
13	97017-06030	.BOLT	6	6	6	6	
14	92907-06600	.WASHER, PLATE	6	6	6	6	
15	8V0-17647-00	.BOLT (L=156.5MM)	1	1	1	1	
16	90389-28032	.BUSH	1	1	1	1	
17	93607-44190	.PIN, DOWEL	3	3	3	3	
18	90201-077F5	.WASHER, PLATE	6	6	6	6	
19	92907-16100	.WASHER	1	1	1	1	
20	90389-40029	.BUSH	1	1	1	1	

FIG. 45 ALTERNATE (ENGINE)



8BD8100-1430

REF. NO.	PART NO.	DESCRIPTION	USA	CAN	EUR	JPN	REMARKS
1	89X-00000-50	CLUTCH TUNE-UP KIT (K)	1	1	1	1	AP
2	90387-057W5	.COLLAR	3	3	3	3	
3	87M-W176B-10	.ROLLER, WITH BUSH	3	3	3	3	
4	90202-08205	.WASHER, PLATE	6	6	6	6	
5	90201-050P9	.WASHER, PLATE	6	6	6	6	
6	97027-05035	.BOLT	3	3	3	3	
7	95617-05100	.NUT, U	3	3	3	3	
8	90389-28032	.BUSH	1	1	1	1	
9	93607-44190	.PIN, DOWEL	3	3	3	3	
10	90201-077F5	.WASHER, PLATE	6	6	6	6	
11	90389-40029	.BUSH	1	1	1	1	

NUMERICAL INDEX

PART NO.	GRID NO.	PART NO.	GRID NO.	PART NO.	GRID NO.	PART NO.	GRID NO.	PART NO.	GRID NO.	PART NO.	GRID NO.
8V0-W176A-00	B - 15	137-13137-00-05	B - 6	6E5-14386-01	B - 10	8V0-17639-00	B - 15	89X-2199F-00	C - 7	8H8-24376-00	C - 5
82M-W176A-00	B - 15	137-13137-00-10	B - 6	85L-14392-00	B - 10		F - 7	89X-2199G-01	E - 15	801-24376-00	C - 5
83R-W176A-00	B - 15	137-13138-01	B - 6	89X-14423-00	B - 8	8V0-17640-02	B - 15	85N-2199H-00	F - 3	82M-24376-00	B - 8
87M-W176B-10	B - 15	8A5-13146-01	B - 6	87D-14431-00	B - 8		F - 7		F - 6	8H0-24379-00	B - 9
	F - 8	137-13148-00	B - 7	85L-14441-00	B - 8	89X-17641-00	C - 2	89X-2199H-00	C - 7	815-24379-00	B - 9
85L-W2431-00	B - 9	85L-13175-00	B - 7	85L-14453-00	B - 8	8V0-17647-00	B - 15	89X-2199J-00	C - 7	878-24379-00	C - 13
8E1-W2628-00	F - 5	821-13176-00	B - 7	85L-14471-00	B - 8		F - 7	8M6-21998-00	C - 6	85L-24410-00	B - 8
89X-W4741-00	D - 8	85L-13178-00	B - 3	87D-14477-00	B - 8	88X-17653-00	B - 15	80F-21998-00	C - 6	8H5-24560-00	C - 13
88T-W4751-00	D - 10	8R4-13188-00	B - 7	87D-14493-00	B - 8		F - 7	87F-22493-00	C - 8	8W6-24611-00	C - 13
88L-W4753-00	D - 10	8G8-13410-00	C - 5	8G8-14610-00	B - 12	89N-17660-00	C - 3	88T-23710-01	C - 8	813-24613-01	C - 13
8BY-W7726-01	D - 15	353-13552-01	B - 6	8G8-14613-01	B - 12	89N-17670-00	C - 3	88T-23731-00	C - 8	83M-24628-00	C - 13
8BH-W8180-01	F - 6	8U0-13552-00	B - 9	89X-14710-00	B - 12	88T-17680-01	C - 3	88T-23743-00	C - 8	8F7-24641-00	C - 13
88R-W8291-00	E - 14	89X-13555-00	B - 8	8G8-14747-00	B - 12	88T-17682-01	D - 11	87F-2376A-00	C - 8	89X-24730-01	C - 15
89X-00000-50	F - 8	8Y2-13563-02	B - 8	89X-15100-00	B - 13	88T-17682-11	D - 11	84M-2376E-00	C - 9	89X-24731-01	C - 15
89X-11111-00	B - 2	85L-13565-00	B - 8	3F9-15362-00	D - 11	88R-17684-02	C - 3	89X-2376J-00	C - 8	82U-24790-00	C - 15
J38-11116-00	B - 13	288-14124-00	B - 11	85L-15416-00	B - 7	89N-17684-00	C - 3	8L0-2376R-00	C - 8	3YF-24849-00	F - 3
89X-11121-00	B - 2	85L-14133-00	B - 11	85L-15426-02	B - 7	8X6-17688-00	C - 3	84M-2377E-00	C - 9		F - 6
89X-11181-00	B - 2	85L-14146-00	B - 11	85L-15710-00	B - 14	88T-18116-01	D - 13	82M-23777-00	C - 8	89X-24897-00	E - 7
89X-11311-00	B - 2	85L-14147-00	B - 10	8G8-15711-01	B - 14	88T-18120-01	D - 13	82M-23779-00	C - 8	89X-24897-10	E - 7
89X-11321-00	B - 2	85L-14157-00	B - 10	8F3-15713-01	B - 14	88T-18123-00	D - 13	8L0-23788-00	C - 8	89Y-24897-00	E - 7
89X-11351-00	B - 2	85L-14161-00	B - 11	8F3-15714-01	B - 14	88T-18151-00	D - 13	8BE-23811-00	C - 10	89X-25711-00	D - 2
89X-11400-00	B - 3	89X-1417E-00	E - 3	8F3-15715-00	B - 14	88T-18157-00	D - 13	8F3-23812-00	C - 10	878-25726-00	D - 2
8G8-11412-01	B - 3	85L-14191-00	B - 10	8F3-15716-03	B - 14	8BK-18190-00	D - 13	89X-23813-01	C - 10	878-25728-00	D - 2
8L3-11422-01	B - 3	85L-14227-00	B - 10	81L-15723-00	B - 14	88T-18191-00	D - 13	8G5-23814-00	C - 10	84R-25731-00	D - 2
8L3-11432-01	B - 3	89X-14301-00	B - 10	8F3-15734-00	B - 14	88T-18511-00	D - 13	8K1-23814-00	C - 10	878-25733-00	D - 2
8G8-11442-01	B - 3	85L-14321-00	B - 10	8F3-15739-01	B - 14	88T-18531-00	D - 13	8W9-23815-00	C - 11	89J-25811-00	D - 2
89X-11447-00	B - 3	85L-14323-00	B - 11	8G5-15739-00	B - 14	89X-21411-01	C - 4	88E-23817-00	C - 11	88T-26240-00	D - 3
85T-11478-00	B - 3	288-14329-74	B - 10	8F3-15741-01	B - 14	85L-21417-00	C - 4	8L0-2382E-01	C - 9	8E1-26280-00	F - 5
8L3-11515-01	B - 3	288-14329-75	B - 10	8F3-15751-00	B - 14	85L-21419-00	C - 4	8L0-2382F-00	C - 9	8E1-26290-00	F - 5
8K4-11601-00	B - 3	288-14329-77	B - 10	89X-15752-00	C - 5	85L-21427-00	C - 4	87F-23821-00	C - 10	85L-26311-01	D - 3
89X-11631-00-94	B - 3	288-14329-78	B - 10	8F3-15755-00	B - 14	85L-21429-00	C - 4	89X-23831-00	C - 10	85L-26320-00	B - 6
4L0-11633-00	B - 3	288-14329-79	B - 10	8F3-15758-00	B - 14	8N8-21486-00	C - 4	86X-23841-00	C - 10	8U9-26325-00	D - 3
1GU-11651-00	B - 3	288-14329-81	B - 10	89X-15758-00	C - 5	85L-21751-03	C - 5	J45-23845-00	D - 13	89X-26331-00	D - 3
8G8-11681-00	B - 3	288-14329-82	B - 10	82M-15779-00	B - 14	863-21771-00	C - 5	87S-23845-00	C - 10	8G8-26333-00	D - 3
88T-12231-00	D - 11	288-14329-83	B - 10	85L-15779-00	B - 14	89Y-21910-00	C - 6	87S-23847-00	C - 10	89X-26340-00	D - 3
88T-12247-00	D - 12	85L-14333-00	B - 10	8R4-15780-00	E - 6	89X-21912-00	C - 6	87F-23851-01	C - 8	8J5-26352-00	B - 8
88T-12257-00	D - 12	85L-14334-00	B - 11	88T-17143-00	D - 11	8X0-21923-00	C - 6	87F-23852-01	C - 8	341-26397-01	C - 14
8G8-12611-01	B - 5	85L-14335-01	B - 11	88T-17243-00	D - 12	89X-2193F-00	C - 5	8V0-23858-00	C - 12		D - 3
89X-12631-00	B - 14	85L-14342-39	B - 10	88T-17421-00	D - 11	89X-21945-00	E - 6	84M-23868-00	C - 10		E - 15
8K4-12633-00	B - 13	85L-14342-40	B - 10	88T-17432-00	D - 12	8V0-21946-00	C - 6	89X-23870-00	C - 12	85L-28100-00	E - 6
85L-12651-00	B - 5	288-14343-76	B - 10	88T-17492-01	D - 11	89X-21964-00	C - 6	84M-23872-00	C - 10	80V-2835Y-90	E - 5
85L-12652-00	B - 5	288-14343-80	B - 10	89X-17601-09	F - 7	89X-21965-00	C - 6	85L-24111-01	C - 13	8BN-47110-10	D - 4
85L-12661-00	E - 6	50M-14355-00	B - 11	84J-17611-00	B - 15	89X-21978-00	C - 7	87D-24135-00	C - 14	8CR-47113-00	D - 4
89X-12681-00	B - 14	85L-14358-00	B - 10		F - 7	8M6-2198F-00	C - 6	8AC-2414B-01	E - 4	8CR-47115-00	D - 4
89X-12682-00	B - 5	87D-14371-00	B - 11	8V0-17621-01	B - 15	89X-2198F-00	C - 7	8V0-24335-01	C - 13	8V0-47319-00	D - 4
89X-13101-00	B - 6	85L-14374-00	B - 11		F - 7	80L-2198G-00	C - 6	8V0-24336-00	C - 13	8H8-47320-00	D - 4
8Y0-13116-01	B - 6	85L-14384-01	B - 10	8V0-17631-00	B - 15	89X-2198G-00	C - 7	8X8-24360-01	B - 9	87M-47320-00	D - 4
137-13137-00-03	B - 6	87D-14385-00	B - 10		F - 7	89X-2198J-00	E - 6	8H8-24376-00	C - 13	88K-47331-00	D - 6

NUMERICAL INDEX

PART NO.	GRID NO.	PART NO.	GRID NO.	PART NO.	GRID NO.	PART NO.	GRID NO.	PART NO.	GRID NO.	PART NO.	GRID NO.
88T-47332-00	D - 7	88T-47613-00	D - 12	89X-77524-00	C - 7	4H7-81843-50	E - 10	5E2-83509-20	E - 11	90102-10039	C - 9
8V0-47338-00	D - 7	8V0-47631-00	C - 3	8X0-77525-00	E - 7	4H7-81844-50	E - 10	85L-83509-00	E - 11	90102-10044	C - 10
88T-47365-00	D - 7	8Y1-47700-00	E - 11	8X0-77526-00	E - 7	73A-81847-00	E - 10	88K-83510-20	E - 11	90102-10050	C - 8
8V0-47371-00	D - 7	8K4-47715-00	E - 11	80L-77526-00	C - 6	8L6-81847-50	E - 10	88T-83510-40	E - 11	90102-10067	C - 10
89X-47411-01	D - 6	8BY-77111-30	D - 15	89X-77541-00	E - 7	8BB-8185A-00	E - 10	4R0-83517-00	E - 11		C - 9
8V0-47415-00	D - 6	8V0-77118-00	D - 15	89X-77553-00	E - 2	8Y3-81850-50	E - 10	88T-83523-00	E - 11	90105-06437	C - 15
8V0-47417-00	D - 8	89X-77121-00	E - 2	89X-77554-00	E - 7	4H7-81872-00	E - 10	85L-83540-00	E - 11	90105-06452	B - 9
88T-47421-10	D - 6	89X-77122-00	E - 2	89X-77555-00	D - 15	8J9-81940-10	F - 3	89A-83550-00	E - 11	90105-06550	B - 14
86S-47446-01	D - 7	89X-77123-00	E - 2	89X-77556-00	E - 7		F - 6	8K1-83603-01	E - 11	90105-06556	B - 5
8V0-47447-01	D - 6	89X-77140-00	D - 15	8X0-77571-00	E - 7	89A-81960-00	E - 15	85G-83663-00	E - 14	90105-06557	B - 8
85K-47447-01	D - 7	89X-77153-00	C - 6	84R-77592-00	E - 7	89X-82105-00	F - 3	8H8-83912-00	E - 14	90105-06558	B - 14
890-47447-00	D - 6	80L-77159-00	D - 15	88K-77595-20	E - 7		F - 6	802-83913-00	E - 14	90105-08307	D - 8
89X-47451-00	D - 8	85L-7716E-00	E - 8	89X-77596-00	E - 7	89X-82110-01	F - 6	8R6-83928-00	E - 14	90105-08325	D - 9
8V0-47456-00	D - 8	85L-7716F-00	E - 8	8BE-77711-00	E - 8	89X-82110-11	F - 3	8K4-83930-00	E - 14	90105-10433	D - 6
89X-47456-00	D - 8	89X-77165-00	E - 2	810-77716-00	C - 7	89X-82115-00	F - 3	437-83936-01	D - 3	90105-14175	C - 3
8K2-47458-01	D - 8	89X-77166-00	E - 2	8U9-77741-00	E - 8		F - 6	8K4-83950-01	E - 14	90109-063E8	D - 13
8L1-47461-00	D - 8	89X-77167-00	E - 2	8V0-77741-20	E - 8	82L-82122-00	F - 3	85G-83956-00	E - 14	90109-08559	D - 8
8AS-47465-02	D - 6	89X-77168-00	E - 3		F - 6		F - 6	8AU-83963-00	E - 14	90109-10771	D - 6
8V0-47467-00	D - 6	89X-7717E-00	E - 3	8U9-77742-00	E - 8	26H-82131-00	E - 6	88T-8399F-00	E - 14		D - 7
84J-47467-00	D - 7	8V0-77171-00	E - 3	8BY-77761-00	E - 8	8J4-82133-00	F - 3	89X-84310-00	E - 12	90113-06039	C - 9
89X-47471-00	D - 7	8M6-77175-00	D - 15	8BY-77761-10	E - 8		F - 6	89Y-84310-00	E - 12	90116-08107	B - 2
89X-47472-00	D - 7	89X-77185-00	D - 15	89X-77761-10	E - 8	89X-82136-01	F - 3	89X-84311-00	E - 2	90119-06094	C - 5
89X-47473-00	D - 7	89X-77186-00	E - 2	8BD-77762-00	E - 6		F - 6	89X-84311-10	E - 2	90119-06108	B - 5
89X-47474-00	D - 7	89X-77189-00	D - 14	8BD-77762-21	E - 6	8BE-82150-00	F - 3	8A7-84312-00	E - 12		B - 8
88T-47475-00	D - 7	89X-77194-00	E - 2	8BE-77762-00	D - 15		F - 6	8A7-84314-00	E - 12	90122-08029	E - 6
8K2-47479-01	D - 8	89X-77210-10	E - 5	8Y0-77762-90	D - 15	42X-82151-00	F - 3	89X-84331-00	E - 12	90151-06010	D - 6
89X-47480-00	D - 7	87W-77213-10	E - 5	86D-77762-00	E - 6		F - 6	89X-84332-00	E - 12	90151-08051	C - 6
89X-47481-00	D - 7	82H-77223-00	E - 5	89S-77762-01	D - 15	87D-82310-00	E - 15	8BY-84359-00	E - 12	90154-06050	D - 11
8K2-47485-00	D - 6	88R-77261-00	D - 15	88K-77763-00	E - 3	87D-82318-00	E - 15	89X-84366-00	E - 12	90154-06062	C - 3
84J-47486-00	D - 7	89X-77262-00	D - 15	88T-77763-10	E - 3	89L-82318-00	F - 2	89X-84367-00	E - 12	90157-05027	E - 14
80X-47487-00	D - 4	89X-77263-00	D - 15	88T-77763-20	E - 3	861-82361-00	E - 15	8A7-84397-01	E - 12	90157-05113	E - 14
82M-47487-00	D - 5	89X-77264-00	D - 15	81L-81313-M0	E - 9	85G-82370-20	E - 15	8K4-84710-00	E - 13	90159-05129	E - 9
8F2-47495-01	D - 7	89X-77265-00	E - 2	81L-81314-M0	E - 9	8G5-82372-00	E - 15	8K4-84711-00	E - 13	90159-05130	E - 9
89X-47495-00	D - 6	89X-77311-00	E - 6	8BB-81800-01	E - 10	8K1-82510-20	E - 15	838-84714-01	E - 13	90164-05007	E - 5
83M-47521-00	D - 4	89X-77338-00	C - 7		F - 3	88R-82530-00	E - 14	8K4-84718-00	E - 13	90167-06056	B - 5
8K2-47530-00	D - 4	8BY-77351-70	E - 4	73A-81811-00	E - 10	8H8-82550-01	E - 15	8K4-84721-00	E - 13	90170-06289	D - 13
88T-47541-00	D - 11	8BY-77352-70	E - 4		E - 10	8H7-82552-01	F - 2	87M-84723-00	E - 13	90170-08220	C - 8
89X-47543-00	D - 11	8BY-77353-70	E - 4	84N-81812-00	E - 10	8H8-82557-00	F - 2	4G1-84744-00	E - 11	90170-10186	C - 10
88T-47544-00	D - 11	8BY-77354-70	E - 4	8L6-81813-50	E - 10	8AU-82575-09	E - 14	86R-85110-00	F - 4	90170-16425	B - 3
8K4-47551-00	D - 10	8BY-77355-70	E - 4	84N-81826-00	E - 10	526-82579-00	E - 15	81G-85130-00	F - 4	90170-22094	D - 10
88T-47571-00	D - 12	8BY-77356-70	E - 4	73A-81829-00	E - 10	8BY-82580-00	E - 15	81L-85520-M0	E - 9	90176-08063	E - 7
8K4-47577-00	D - 10	8BY-77357-70	E - 4	73A-81829-50	E - 10	8V0-8259A-01	B - 11	8BY-85540-00	E - 15	90179-06447	B - 14
89X-47578-00	E - 3	8BY-77358-70	E - 4	84N-81832-51	E - 10	8BY-82590-00	E - 15	85N-85550-00	E - 9	90183-05068	E - 2
8BB-47587-30	D - 12	85L-77373-01	E - 6	8L6-81833-50	E - 10	8AU-82720-02	E - 14	8BE-85560-00	E - 9	90185-10085	C - 10
8BB-47587-50	D - 12	89X-77398-00	E - 6	8L6-81834-50	E - 10	J51-82817-00	D - 13	8R4-85580-M0	E - 9	90201-043H5	C - 6
8BB-47587-80	D - 12	89X-77511-00	C - 6	8L6-81835-50	E - 10	8BE-82917-00	E - 15	90101-06752	C - 8	90201-04325	C - 7
88T-47591-00	D - 11	89X-77512-00	C - 6	8BB-81836-00	E - 10	8AU-82970-02	E - 14	90101-08499	D - 2	90201-050P9	B - 15
88T-47592-00	D - 11	89X-77523-00	C - 7	8L6-81840-50	E - 10	87L-83383-01	E - 15	90101-10737	D - 12		F - 7

NUMERICAL INDEX

PART NO.	GRID NO.	PART NO.	GRID NO.	PART NO.	GRID NO.	PART NO.	GRID NO.	PART NO.	GRID NO.	PART NO.	GRID NO.
90201-050P9	F - 8	90210-06006	D - 11	90387-084R1	C - 8	90465-06038	E - 15	91A30-05042	C - 5	92990-06600	E - 15
90201-05033	E - 2		D - 13	90387-084R5	D - 7	90465-08028	E - 15	91A30-05090	C - 5	93101-10001	B - 7
90201-051K1	E - 3	90210-10004	D - 12	90387-08632	D - 8	90465-08277	E - 15	91A30-07020	C - 5	93102-22014	D - 11
90201-06042	C - 7	90214-29060	C - 3	90387-08778	B - 12	90465-08368	C - 6	91318-06020	D - 13	93102-25183	B - 3
90201-06071	C - 15	90215-08262	C - 10	90387-100A4	C - 9	90465-10189	D - 3	91401-20020	C - 8	93102-35191	D - 12
90201-06380	E - 6	90240-12107	D - 6	90387-101Y9	C - 9	90465-12356	F - 6		C - 9	93102-36232	C - 6
90201-06557	D - 15	90249-03017	C - 13	90387-105G6	D - 6	90465-20145	D - 15	91401-25020	C - 10	93103-36117	C - 6
	E - 3	90249-03175	C - 13	90387-106J3	C - 8	90467-07055	B - 9	91401-30025	D - 4	93104-52079	B - 7
90201-06747	D - 6	90249-06222	C - 5	90387-107T9	D - 7	90467-08017	B - 6		D - 5	93109-53036	C - 8
90201-077F5	B - 15	90249-07217	D - 13	90387-147A8	C - 3	90467-09026	B - 6		D - 6	93210-10010	D - 13
	F - 7	90267-40029	C - 6	90387-160M7	D - 5		B - 8	91609-25050	C - 13	93210-25070	D - 12
	F - 8	90267-40076	D - 3		D - 6		B - 9	91609-30010	B - 3	93210-27194	D - 11
90201-080L1	C - 8	90267-48057	E - 6	90387-166M8	D - 5		C - 13		D - 3	93303-30602	B - 3
90201-083A6	C - 6	90267-48086	E - 7		D - 6		C - 5	91609-30016	C - 13	93306-00420	D - 10
90201-08624	B - 7	90267-48141	C - 6	90387-202X4	D - 4	90467-10039	B - 9	91609-40025	D - 13	93306-00444	D - 4
90201-08681	D - 8		C - 7	90387-202X5	D - 4	90467-11009	B - 9	91808-22019	B - 7		D - 5
90201-08730	E - 6		E - 3	90387-204X2	D - 4		C - 5	92901-04100	E - 9	93306-00704	D - 12
90201-08753	B - 12	90267-48199	D - 8	90387-22726	D - 3	90467-11028	B - 8	92901-05100	B - 6	93306-20321	D - 12
90201-08759	C - 10	90269-04019	C - 6	90387-514Y2	D - 10		C - 13	92902-08100	F - 6	93306-20402	D - 12
90201-08784	C - 14	90269-07071	E - 8	90389-28032	B - 15		C - 5	92907-05100	B - 6	93306-20469	D - 4
90201-100L3	D - 7	90280-05013	B - 3		F - 7	90467-11032	B - 8		C - 11	93306-20582	C - 3
90201-10321	C - 4	90280-05014	B - 3		F - 8	90468-02025	B - 6		E - 11	93306-20617	B - 3
90201-10430	C - 8	90281-07004	D - 2	90389-40029	B - 15	90480-12314	F - 3	92907-05200	C - 11	93306-30407	D - 12
90201-106H5	D - 13	90331-26096	D - 12		F - 7		F - 6		E - 14	93306-30521	B - 3
90201-12474	D - 6	90336-08026	D - 11		F - 8	90480-15268	E - 7		E - 2	93306-37206	D - 11
90201-141A3	C - 3	90338-21075	B - 6	90413-05011	B - 9	90501-02018	B - 6		E - 6	93310-316B2	B - 3
90201-161E5	D - 7	90338-44093	C - 7	90430-04004	B - 6	90501-083J8	C - 14	92907-05600	C - 11	93310-522B3	B - 3
90201-164H4	D - 5	90340-10136	D - 13	90430-31003	C - 5	90501-083J9	C - 5	92907-06100	B - 14	93311-42265	D - 11
90201-164P0	D - 5	90380-12161	D - 7	90445-084K0	B - 9	90501-084J1	C - 14		F - 3	93317-22021	D - 12
90201-204M9	D - 12	90380-12169	D - 8	90445-084K1	B - 9	90501-08728	B - 9		F - 6	93317-32231	D - 12
90201-205R6	D - 8	90384-14091	C - 9	90445-08684	F - 3	90501-124G3	D - 13	92907-06600	B - 15	93410-25017	C - 3
90201-222F0	C - 3	90384-14096	C - 9		F - 6	90501-20130	C - 13		F - 7	93410-52061	C - 9
90201-224L4	D - 11	90384-36134	C - 6	90445-091K4	C - 13	90501-23337	D - 2	92907-08100	C - 7	93430-02001	C - 13
90201-225A4	C - 3	90384-53175	C - 8	90445-093J2	B - 8	90501-527H0	B - 15		E - 7	93440-34170	C - 3
90201-252F1	C - 3	90384-90081	C - 3	90445-09690	C - 13	90501-554E8	C - 2	92907-08200	C - 7	93440-72049	B - 3
90201-25526	C - 3	90386-07152	B - 15	90445-113K4	C - 13	90501-55485	B - 15		D - 11	93450-17129	B - 3
90201-25527	C - 3	90386-08179	B - 15	90445-114K3	B - 8	90501-55559	C - 2	92907-08600	C - 3	93505-32002	B - 6
90201-345G2	C - 3	90387-057W5	B - 15	90445-11696	B - 8	90501-557H9	C - 2		C - 9	93603-10049	B - 13
90201-535H6	C - 8		F - 7	90445-117E3	C - 13	90501-787F4	C - 8		D - 2	93603-22028	B - 7
90201-536A1	C - 8		F - 8	90446-09316	C - 13	90506-06065	C - 13		D - 6	93605-10108	B - 13
90202-06007	D - 15	90387-06241	E - 3	90446-09355	C - 5	90506-16436	B - 12		E - 7	93607-44190	B - 15
90202-08205	B - 15	90387-06299	E - 9	90450-25026	B - 8	90506-20272	B - 12		F - 3		F - 7
	F - 7	90387-064Y0	C - 5	90450-25027	B - 8	90508-10715	C - 13		F - 6		F - 8
	F - 8	90387-066N1	E - 13	90450-25028	B - 8	90508-50571	C - 3	92907-12200	D - 6	94702-00188	B - 2
90202-14037	C - 9	90387-06681	C - 5	90461-08113	D - 15	91A20-05056	C - 13	92907-16100	B - 15	94709-00188	B - 2
90206-11016	B - 7	90387-081R2	E - 8		E - 2	91A30-03042	B - 6		B - 4	94880-03076	D - 12
90208-22001	D - 10	90387-081U4	D - 8	90462-10007	E - 8	91A30-05010	B - 6		F - 7	94880-03078	D - 12
90209-22071	B - 3	90387-084J9	D - 8	90464-20167	E - 12	91A30-05030	C - 5	92990-05100	E - 11	95301-05600	B - 6

NUMERICAL INDEX

PART NO.	GRID NO.	PART NO.	GRID NO.	PART NO.	GRID NO.	PART NO.	GRID NO.	PART NO.	GRID NO.	PART NO.	GRID NO.
95303-08600	C - 8	95707-08300	C - 9	95827-08250	D - 6	98907-06035	D - 15				
95304-08800	C - 7		D - 7	95827-10025	C - 4	98907-08014	C - 7				
95307-05600	E - 11		D - 8	95827-10060	D - 2	98907-08016	C - 7				
95307-05800	E - 2		E - 7		D - 7	99001-04600	C - 5				
95307-06600	C - 7		F - 3	97007-05016	E - 2	99001-06400	E - 14				
	E - 6		F - 6	97007-06010	D - 13	99009-10400	B - 7				
	F - 3	95707-08500	B - 13	97007-06025	D - 6	99009-14400	D - 7				
	F - 6		B - 2	97007-06035	D - 7	99009-18400	D - 13				
95307-06700	B - 14		C - 6	97017-06030	B - 15	99009-20400	D - 12				
95307-08700	D - 2	95707-10300	C - 10		F - 7		D - 4				
95307-08800	E - 7		C - 9	97017-08020	C - 10	99009-22400	D - 11				
95307-10600	D - 13		D - 8	97027-05035	B - 15	99009-42500	D - 4				
95307-10700	C - 10	95707-10500	C - 4		F - 7		D - 5				
	D - 12	95717-08300	C - 6		F - 8	99009-47500	D - 4				
95317-06700	D - 13	95807-06008	F - 3	97027-08020	C - 3	99009-52500	C - 3				
95380-05600	E - 11		F - 6	97027-08050	F - 3	99530-10114	D - 11				
95607-06200	C - 12	95807-06020	C - 5		F - 6						
	D - 13	95807-06030	B - 14	97027-08165	D - 8						
	D - 8	95807-08012	B - 14	97602-04116	B - 10						
	E - 15	95807-08016	C - 5	97701-40130	E - 13						
	E - 2	95807-08035	B - 13	97706-30620	E - 14						
95607-08200	C - 8	95807-08040	E - 7	97706-30630	E - 14						
	D - 6	95817-06030	D - 8	97707-30712	E - 14						
	D - 8	95817-08012	C - 12	97707-50014	D - 15						
95607-10200	D - 8	95817-10030	D - 8	97707-50016	E - 2						
95607-14200	D - 4	95827-06010	E - 15	97707-50525	B - 8						
	D - 5	95827-06016	E - 15	97802-04008	B - 11						
95617-05100	B - 15	95827-06020	B - 12	97802-05008	B - 10						
	F - 7	95827-06025	B - 7	97880-06020	E - 15						
	F - 8	95827-06035	B - 7	98506-04008	E - 9						
95617-08640	C - 9		D - 11	98506-04012	E - 9						
95617-08655	C - 9	95827-08014	E - 11	98507-04016	F - 5						
95707-04500	F - 5		E - 7	98507-04018	B - 6						
95707-05300	E - 14	95827-08016	D - 11	98507-05008	C - 11						
95707-05500	E - 2		D - 13	98507-05016	B - 6						
	E - 5		E - 7	98507-05030	C - 11						
	F - 4	95827-08020	E - 7	98507-06016	B - 7						
95707-06300	B - 8	95827-08025	B - 8		E - 9						
	C - 6	95827-08030	B - 12	98707-05016	E - 2						
	D - 6	95827-08040	B - 13	98901-04008	B - 6						
	E - 15		D - 11	98902-04006	B - 10						
	F - 3		D - 7	98907-05008	E - 2						
	F - 6	95827-08045	D - 8	98907-06014	D - 15						
95707-06500	D - 15	95827-08055	C - 10	98907-06016	E - 8						
	E - 13	95827-08060	B - 13	98907-06020	C - 15						
	E - 15	95827-08070	B - 13		D - 15						
95707-08300	C - 10		C - 4		E - 2						
	C - 14		D - 11	98907-06030	E - 3						

CONTENTS

ENGINE

CYLINDER HEAD	B2
CRANKSHAFT. PISTON	B3
AIR SHROUD. FAN	B5
OIL PUMP	B6
PUMP DRIVE GEAR	B7
INTAKE	B8
CARBURETOR	B10
EXHAUST	B12
CRANKCASE	B13
STARTER	B14

DRIVE

PRIMARY SHEAVE	B15
SECONDARY SHEAVE	C3

BODY

ENGINE BRACKET	C4
OIL TANK	C5
FRAME	C6
SKI	C8
STEERING	C10
STEERING GATE	C12
FUEL TANK	C13
SEAT	C15
BRAKE	D2
CONTROL CABLE	D3
TRACK SUSPENSION 1	D4
TRACK SUSPENSION 2	D6
TRACK DRIVE 1	D10
TRACK DRIVE 2	D11
SHROUD	D15
EMBLEM	E4
WINDSHIELD	E5

GUARD. LUGGAGE BOX	E6
BUMPER	E7
INSTRUMENT PANEL	E8

ELECTRICAL

GENERATOR	E9
STARTING MOTOR(AP:USA,CAN,EUR/STD:JPN)	E10
METER	E11
HEADLIGHT	E12
TAILLIGHT	E13
HANDLE SWITCH. LEVER	E14
ELECTRICAL 1	E15
ELECTRICAL 2 (FOR JPN)	F3
ELECTRICAL 3	F4
ALTERNATE (BODY/RIG)	F5
ALTERNATE(ELECTRICAL)	F6
ALTERNATE (ENGINE)	F7
ALTERNATE (ENGINE)	F8

INDEX

NUMERICAL INDEX	M1
-----------------------	----